



**Implementation Guide  
for the  
Postsecondary Electronic Standards Council  
XML Standard Format  
for the  
High School Transcript**

**Version 1.5.0**

**February 2017**



© PESC 2016. All Rights Reserved.

This document may be copied and furnished to others, and derivative works that comment on or otherwise explain it or assist in its implementation may be prepared, copied, published and distributed, in whole or in part, without restriction of any kind, provided that the above copyright notice and this paragraph are included on all such copies and derivative works. This document itself, however, may not be modified in any way except when expressly approved by PESC for purposes of developing standards and specifications.

Send corrections, comments and requests for the IG in MS Word format to:

[info@PESC.org](mailto:info@PESC.org)

<b>Table of Contents</b>	
<u>Page</u>	
iv	<b>Introduction</b>
iv	<b>Organization and Format</b>
ix	<b>Development History and Acknowledgments</b>
xi	<b>Transcript Acknowledgment</b>
xi	<b>About Versions</b>
1	<b>High School Transcript</b>
2	<b>TransmissionData</b>
5	..... <b>Source</b>
6	..... ---- <b>Organization</b>
10	..... ----..... <b>LocalOrganizationID</b>
11	..... ----..... <b>Contacts</b>
13	..... ----..... ---- <b>Address</b>
16	..... ----..... ---- <b>Phone</b>
18	..... ----..... ---- <b>FaxPhone</b>
20	..... ----..... ---- <b>Email</b>
21	..... ----..... ---- <b>URL</b>
22	..... ----..... <b>Accreditation</b>
24	..... <b>Destination</b>
25	..... ---- <b>Organization</b>
29	..... ----..... <b>LocalOrganizationID</b>
30	<b>Student</b>
32	..... <b>Person</b>
37	..... ---- <b>AgencyIdentifier</b>
39	..... ---- <b>Birth</b>
41	..... ---- <b>Name</b>
43	..... ---- <b>AlternateName</b>
45	..... ---- <b>ParentGuardianName</b>
47	..... ---- <b>ParentGuardian</b>
48	..... ----..... <b>Name</b>
50	..... ---- <b>Contacts</b>
52	..... ----..... <b>Address</b>
55	..... ----..... <b>Phone</b>
57	..... ----..... <b>FaxPhone</b>
59	..... ----..... <b>Email</b>
60	..... ----..... <b>URL</b>
61	..... ---- <b>Gender</b>
62	..... ---- <b>RaceEthnicity</b>
63	..... ---- <b>EthnicityRace</b>
65	..... ---- <b>Deceased</b>
66	..... ---- <b>Language</b>
67	..... <b>AcademicRecord</b>

69	..... <b>School</b>
73	..... <b>LocalOrganizationID</b>
74	..... <b>Contacts</b>
76	..... <b>Address</b>
79	..... <b>Phone</b>
81	..... <b>FaxPhone</b>
83	..... <b>Email</b>
84	..... <b>URL</b>
85	..... <b>StudentLevel</b>
86	..... <b>AcademicAward</b>
89	..... <b>AcademicHonors</b>
90	..... <b>AcademicAwardProgram</b>
92	..... <b>ProgramSummary</b>
96	.....GPA
99	.....AcademicHonors
100	..... <b>AcademicSummary</b>
103	..... <b>GPA</b>
106	..... <b>AcademicHonors</b>
107	..... <b>HighSchoolCreditSummary</b>
108	.....HighSchoolSubjectArea
110	..... <b>AcademicProgram</b>
112	..... <b>AcademicSummary</b>
118	..... <b>GPA</b>
122	..... <b>AcademicHonors</b>
123	..... <b>HighSchoolCreditSummary</b>
124	.....HighSchoolSubjectArea
126	..... <b>AcademicProgram</b>
128	..... <b>AcademicSession</b>
131	..... <b>AcademicSessionDetail</b>
133	..... <b>School</b>
138	..... <b>LocalOrganizationID</b>
139	..... <b>Contacts</b>
141	.....Address
144	.....Phone
146	.....FaxPhone
148	.....Email
149	.....URL
150	..... <b>StudentLevel</b>
151	..... <b>AcademicProgram</b>
153	..... <b>AcademicAward</b>
156	..... <b>AcademicHonors</b>
157	..... <b>AcademicAwardProgram</b>
159	.....ProgramSummary

163	.....GPA
166	.....AcademicHonors
167	..... <b>AcademicSummary</b>
170	.....GPA
173	.....AcademicHonors
174	.....HighSchoolCreditSummary
175	.....HighScholSubjectArea
177	.....AcademicProgram
179	..... <b>Course</b>
188	..... <b>CourseSupplementalAcademicGrade</b>
189	..... CourseSupplementalGrade
191	..... <b>CourseOverrideSchool</b>
195	.....LocalOrganizationID
196	.....Contacts
198	.....Address
201	.....Phone
203	.....FaxPhone
205	.....Email
206	.....URL
207	..... <b>Requirement</b>
209	..... <b>Attribute</b>
211	..... <b>Proficiency</b>
213	..... <b>Licensure</b>
214	..... <b>LanguageOfInstruction</b>
215	..... <b>AcademicSummary</b>
222	.....GPA
225	..... <b>AcademicHonors</b>
226	..... <b>HighSchoolCreditSummary</b>
227	.....HighSchoolSubjectArea
229	..... <b>AcademicProgram</b>
231	..... <b>AttendanceCount</b>
232	..... <b>Course</b>
243	..... <b>CourseSupplementalAcademicGrade</b>
244	..... <b>CourseSupplementalGrade</b>
246	..... <b>CourseOverrideSchool</b>
250	..... <b>LocalOrganizationID</b>
251	..... <b>Contacts</b>
253	.....Address
256	.....Phone
258	.....FaxPhone
260	.....Email
261	.....URL
262	..... <b>Requirement</b>

264	..... Attribute
266	..... Proficiency
268	..... Licensure
269	..... LanguageOfInstruction
270	..... AdditionalStudentAchievements
272	..... Requirement
274	..... Attribute
276	..... Proficiency
278	..... Language
279	..... Licensure
280	..... Health
281	..... Immunizations
282	..... Tests
284	..... StudentLevel
285	..... Subtest
287	..... TestScores
289	<b>Appendix A – State and Province Codes</b>
291	<b>Appendix B1 – Country Codes (Sorted by Code)</b>
298	<b>Appendix B2 – Country Codes (Sorted by Country Name)</b>
305	<b>Appendix C1 – Language Codes (ISO) (Sorted by Language Code)</b>
321	<b>Appendix C2 – Language Codes (ISO) (Sorted by Language Name)</b>
339	<b>Appendix D – Test Codes and Test Names (Older EDI Version)</b>
340	<b>Appendix E – Test Codes and Test Names (Newer XML Version)</b>
344	<b>Appendix F – Subtest Codes and Subtest Names (Older EDI Version)</b>
350	<b>Appendix G – Subtest Codes and Subtest Names (Newer XML Version)</b>
353	<b>Appendix H – Course Academic Grade Scale Codes</b>
	<b>Appendix I – Not Used</b>
358	<b>Appendix J – Personal Relationship Codes</b>
	<b>Appendix K – Not Used</b>
362	<b>Appendix L – Sample XML High School Transcript Instance Document</b>
381	<b>Appendix M – History of Changes to High School Transcript Schema and Implementation Guide</b>
386	<b>Appendix N – Members of Original Workgroup to Develop the PESC XML High School Transcript Standard</b>

## **Introduction**

For the secondary and higher education communities to achieve the timely, uniform, accurate, and secure exchange of academic records for current or previous secondary students, the Postsecondary Electronic Standards Council (PESC) developed and obtained approval for a standard format in eXtensible Markup Language (XML) for the High School Transcript. This Implementation Guide details how the schema is to be used to create XML instance documents that comply with that standard.

Besides its obvious use for secondary and postsecondary educational institutions, this Guide should also be useful for software vendors and state and federal education agencies.

Secondary educational institutions use high school transcripts to transmit current and historical student academic records to postsecondary educational institutions, to other secondary schools and school districts, and to other education agencies. When a student intends to transfer from a secondary school to a postsecondary school or to another secondary school, it is essential that the student's academic record be made available to the receiving school as quickly as possible so that the receiving institution can make a faster admissions and/or placement decision. The prompt transmission of the secondary school academic record allows the receiving institution to evaluate the record in a more timely fashion and thereby to advise the student on the applicability of past courses to current program requirements.

The secondary student transcript contains personal history and identifying information about the student, the current academic status, dates of attendance, courses completed with grades earned, diplomas and certificates awarded, and selected test scores.

This Implementation Guide is based on the Approved PESC XML High School Transcript Schema Version 1.3.0. It uses the Academic Record Sector Library Version 1.7.0 and Core Main Version 1.12.0. For the electronic exchange of these student records to be completely automated, it is essential that all users adhere strictly to the requirements of this Schema and understand and comply with the requirements outlined in this Guide. Although not required in the Schema, this Implementation Guide also makes recommendations for acceptable practice based on "The Academic Record and Transcript Guide," a publication by the American Association of Collegiate Registrars and Admissions Officers (AACRAO).

## **Organization and Format**

The schema for the High School Transcript is made up of four main parts:

1. Transmission Data
2. Student
3. Note Message
4. User Defined Extensions

However, three of these main parts branch to form other parts, which in turn branch out further. This Guide is organized so that each level of branching is documented in the order as follows:

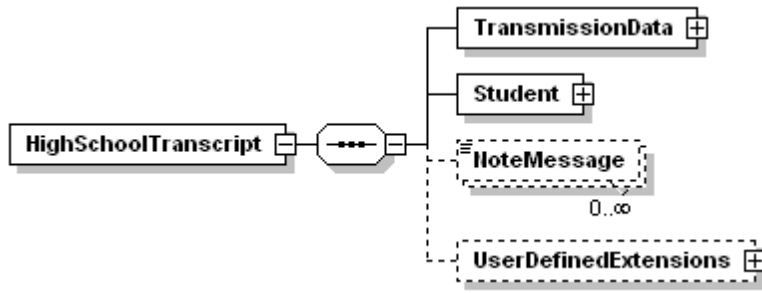
Transmission Data Level I  
    Sub-level IA  
        Sub-level IA1  
            Sub-level IA1a  
            Sub-level IA1b  
        Sub-level IA2  
            Sub-level IA2a  
            Sub-level IA2b  
    Sub-level IB  
        Sub-level IB1  
            Sub-level IB1a  
Student Data Level I

(Etc.)

The heading for each level and sub-level indicates the position of the subsequent diagram in the larger Schema.

Following the heading, the diagram serves to illustrate its relationship with the preceding branch. All diagrams in this Guide were copied from a graphical representation of the High School Transcript Schema using a software package from Altova Corporation called XMLSpy.

Example:



The boxes in the diagrams can illustrate two separate components of the Schema: first, certain boxes show complex data element groupings which branch out to form either lower-level element groupings, or the Schema's other primary component, the fields that contain actual data. A box with a solid border indicates that that particular data element or field is required. A box with a dotted line indicates an optional data element or field. Likewise, a solid line connecting two or more boxes indicates that the boxes to the right in the diagram are required fields and a dotted line indicates the fields in the boxes to the right are optional. A plus (+) sign at the right of a box indicates that the element grouping or field branches beyond the scope of a given diagram. The Schema (and this Guide) displays such branching in subsequent diagrams.

Each diagram includes a representation of a field or data element's repeatability. Under a given box, for example, "0...∞" would indicate an optional data element or field (with a minimum number of occurrences of zero) that can be repeated an infinite number of times. On the other hand, "1...3" would indicate a mandatory field (with at least one required instance) that can be repeated up to 3 times.

Although most data elements that could theoretically be included an infinite number of times in the schema, would typically only be included once or perhaps a few times. Including a high number of occurrences of a field would present problems for the receiving agency or institution.

Under each diagram, a table will appear with five columns:

**Tag Name:** This is the name of the data element grouping or field that will appear in the Schema and in the instance document. ("Instance document" refers to a transcript with real data for an actual student that institutions would exchange.) The format for the tag name is Upper Camel Case which takes a name such as "Transmission Data" and eliminates the space between the two words, retaining the capital letters of each word making up the tag name.

**Schema Use:** This column indicates whether the data element or field is required or optional in the instance document. If a required field is not included in the instance document, the transcript will normally be rejected by the receiving institution or agency's computer program (XML Parser). This column will also include a notation (Repeatable) if a data element (field) can be sent multiple times.

**Description:** This is a brief description of the data included with a particular XML tag name. The description normally comes from the description in the Core Main Schema for data elements.

**Recommended Use:** This column reflects recommendations from the developers of the High School Transcript Schema, standards of good practice as defined by the AACRAO Transcript Guide, and generally recommended practices for exchanging electronic transcripts. Reaching consensus on the recommended use of data elements and fields was an additional task for the PESC Workgroup and changes are now vetted by the PESC Education Record User Group (ERUG).

Recommendations in this column generally match the standards in Schema Use, especially if Schema Use shows an element or field as “Required.” However, a component listed as “Optional” in Schema Use may be listed as “Recommended” in Recommended Use if the Workgroup regards the element or field as essential and in keeping with good practices in the AACRAO community.

**Required:** Indicates that a sending institution must include the data element or field in its transmission.

**Recommended:** If the information for a field is readily available at the sending school, then ‘Recommended’ indicates that the field should be sent.

**Conditional:** This recommended use does not occur often in PESC Implementation Guides, but it may occur when the recommendation (recommended, optional or not recommended) is dependent on another data element being sent, or even on the value of another data element that is sent.

**Optional:** Indicates that it is generally up to the sender to include the data or not. If a paper transcript normally includes the element or field, then the sender will probably choose to include it. In addition, within certain states, items marked as “Optional” may be essential for intrastate exchanges. Finally, it may be the case that a destination school receives all data at a single location; in such a case, the sender may need to provide optional elements to identify the specific intended recipient.

**Not Recommended:** Indicates that, in the view of the Workgroup or the ERUG, such a data element or field should not form part of a transmission. In general, the Workgroup recommends that institutions not send notes or comments, since most Student Information System programs cannot automatically process them. Sending these elements could thereby slow or impede automatic processing by the receiving school. However, exceptions to this rule-of-thumb may lie in the needs of individual states, as certain intrastate transmissions may require information that only a note or comment field can accommodate. In such cases, the Workgroup recommends that institutions in the state develop a protocol for maintaining and transmitting the element or field. In other cases, common practice may be to include data that is not recommended by the Workgroup or ERUG.

In many cases, because of the reusability of complex data elements in XML, there are data elements included in this schema that may not be appropriate for use in the High School Transcript. In these cases, the recommended use may be designated as “Not Recommended.”



**Format:** This column shows the minimum and maximum number of occurrences of the data element. It also shows the minimum and maximum length allowable for a field, if that field does not have enumerated values and is not a special type of field, such as a date field.

“**minOcc** 1” indicates a required field, since it must have at least one occurrence in the instance document. “minOcc 0” indicates an optional field.

“**maxOcc**” followed by a number or symbol specifies the maximum number of times that an element can recur in an instance document at a particular position. For example, “maxOcc 5” would indicate that the field may occur no more than 5 times in a given position of the instance document. “maxOcc ∞” indicates that a field may recur an unlimited number of times in the instance document. However, the use of an excessive number of occurrences puts a burden on the receiving agency or institution, so they should always be limited to the fewest number possible.

“**minLength**” indicates the minimum number of characters that a field must contain, while “**maxLength**” indicates the maximum number of characters that a field may contain.

“**Enumeration**” is used to list the allowable values that may be used in the instance document. They must be used exactly as shown in this column. When the values are enumerated in this column, “minLength” and “maxLength” will not be indicated and are not appropriate.

“**DateTime**” always uses the same format: ccyymmddThh:ii:ss(+GMT). An example would be “2005-11-20T08:15:36(+7)”. Likewise, “Date” always uses the format “ccyy-mm-dd”. An example would be “2005-11-20”. If either DateTime or Date is used, then “minLength” and “maxLength” will not be indicated.

“**xs:decimal**” indicates a numeric field. It has a maximum length of 18 characters including a decimal if it is explicitly included. Typical values would be (1) a grade point average of “3.250”; (2) credits earned of “24”; or (3) credits included in GPA of “16”.

“**minInclusive**” indicates the lowest value of a decimal type field that can be included, while “**maxInclusive**” indicates the maximum value that can be included in a decimal type field.

“**totalDigits**” indicates the maximum number of digits that can be used in the specified field.

“**xs:date**” is the format for a date. In XML, it would be included as “ccyy-mm-dd”. For example, the date “October 28, 2009” would appear in the instance document as “2009-10-28”.

“**xs:gMonthDay**” is the format for a date without including the year. The format in the instance document would be “—mm-dd” which is mm-dd preceded by two dashes.

“**xs:gYearMonth**” is the format for a date without the exact day of the month. The format would be “ccyy-mm”.

**Comments:** The Guide may include comments beneath the rows of a given table and/or at the end of the table. The Workgroup or ERUG intends for these comments to provide further explanation for the items displayed above the comment.

**Code Illustration:** Below each table, the Guide includes a snippet of what that portion of an instance document might look like in XML format. If the data element is a required data element for the schema, then that data element will be in **bold** type in this Guide.

If the code is illustrating a complex data element that will be further explained on a subsequent page, then only the opening and closing tags will be included. For example:

```
<Course>  
  
</Course>
```

If the code is illustrating a simple data element that is not recommended for inclusion, then an empty tag will be included. For example:

```
<NoteMessage/>
```

Appendix L shows an example of an XML instance document for a high school transcript. This example is not intended to match the Code Illustrations throughout the Guide, since a typical transcript would not include many of the optional sections of the Schema.

**Order of Including Data Elements:** Although the Schema includes many optional data elements and you may choose not to include them in an instance document, if you do include data elements, they must appear in the same order they appear in the Schema.

**NoteMessage:** You will find “NoteMessage” appearing throughout the Schema. This Guide almost always recommends against the routine use of note messages. Unless there is an agreed upon format for a note message between the sender and the receiver, notes cannot be interpreted and automatically processed by the receiver’s computer. Although not required by the schema, it is strongly recommended, for example, that if the note message is only appropriate for schools in a given state or province, that the first two digits of the text of the note message be the two digit code for that state or province. That will allow recipient schools or agencies in a state or province to query these two digits and immediately ignore it, if it refers to another state or province.

**UserDefinedExtensions:** The user-defined extension (UDE) design pattern is intended to address situations in which the current Schema does not accommodate sender-specific data. The Schema has to allow for additional elements that may be defined and used at a later date. The user-defined extensions pattern serves as a placeholder for these to-be-defined fields and elements. However, it can require that these fields be defined in a Schema by the organization that wants to use the extensions area. Senders should take care not to use the user-defined extensions as a fall-back for doing appropriate research and design. They should only use the extension when in actuality, the organization defining the base Schema cannot define the additional elements that other organizations may need. Furthermore, other recipients not interested in the data these specific organizations want to exchange in the user-defined area, may then just ignore the UDE.

In general, the use of NoteMessage is recommended to exchange smaller, uncomplicated data pertaining to a state or province or region, while UserDefinedExtensions should be reserved for much more complicated amounts of structured data.

User-defined extensions are beneficial when both the sending and receiving institutions agree on their use. For best work practice, the Workgroup recommends the use of user-defined extensions in the following scope:

- Mutually defined sub-schemas: For the transmittal and receipt of data agreed upon by both sending and receiving institutions;
- State systems: In the California CSU system, this would be the General Education requirements; For the University of California system, this would be the UC requirements;

- Regional requirements

The benefit of using the user-defined extensions stems primarily from the open nature of the XML design. Institutions may take advantage of XML's openness, use the user-defined extensions to accommodate data for which the original Schema has not accounted, and standardize the use of the extensions among themselves. Such institution-to-institution agreements allow for the following:

- Strict standardization among institutions through design and implementation agreements,
- Ability of users outside of the agreement to ignore the data contained in the user-defined extensions.

Because the Schema recommends that institutions develop their own agreements for the use of user-defined extensions, the Workgroup also recommends against the development of national standards.

Example Code:

```
<UserDefinedExtensions>  
  <YearTerm>20042</YearTerm>  
  <CourseAbbreviation>ENG</CourseAbbreviation>  
  <CourseNumber>0114</CourseNumber>  
  <SectionNumber>02</SectionNumber>  
</UserDefinedExtensions>
```

When you build a UDE, you will need to build it into a separate local dictionary that is specific to your instance usage. This dictionary must be added to the instance document header as a reference. Once this is done you will need to build the simple elements into this dictionary and then you can pass the actual values via your schema. This should allow for accurate processing and validation. Adding elements to the schema but not having the definition referenced in any dictionary creates a validation rule. Since they are User Defined Extensions, it is not advisable to modify the Core or Sector dictionaries but create a local UDE dictionary that you can use to trade with those that will require it in order to process your UDE correctly.

Please reference Excerpt from PESC Guidelines for XML Architecture and Data Modeling page 47 ([http://www.pesc.org/interior.php?page\\_id=143](http://www.pesc.org/interior.php?page_id=143)) for a full explanation on the usage of user-defined extensions.

## **Development History and Acknowledgments**

The American Association of Collegiate Registrars and Admissions Officers (AACRAO) Committee on the Standardization of Postsecondary Education Electronic Data Exchange (SPEEDE) began working on a national standard format for the electronic exchange of postsecondary student records in 1989. Initially the work of the committee was funded by AACRAO. At about the same time, the US Department of Education's National Center for Education Statistics (NCES) began developing a national standard format for the electronic exchange of student records for kindergarten through high school students. The K12 community was primarily represented by the Council of Chief State School Officers (CCSSO). To gain more credibility in the creation and widespread adoption of the standards, the two groups (AACRAO and NCES) approached the American National Standards Institute's (ANSI) Accredited Standards Committee (ASC) X12 for assistance in developing and approving the two standard formats.

ASC X12 reviewed the two proposals and insisted that only one standard be developed and approved. That standard would be the Kindergarten through Postsecondary Education Student Record. At that time, NCES decided to fund the travel of the AACRAO SPEEDE Committee as well as those working on the K-12 standard. The ASC X12 Standard in the Electronic Data Interchange (EDI) format was approved in the early 1990's as ANSI ASC X12 Transaction Set 130 for the Student Educational Record (Transcript).

During this time period (before the Internet was widely available), the format stressed the transmission of as much data as possible using the fewest characters. This emphasis emerged because transmission costs were based on the number of characters or bytes being sent over the Value Added Electronic Networks (VANs).

The ASC X12 Standard is now in use by a significant number of postsecondary institutions in the United States and Canada. Over one million TS 130 Student Transcripts are exchanged electronically in the EDI format through the University of Texas at Austin Internet SPEEDE Server in the ASC X12 EDI format each year. The UT Austin SPEEDE Server is a free server and is maintained, at no charge to users, by the staff at the University of Texas at Austin. At the secondary level, Florida schools exchange a significant number of electronic high school transcripts, because the state mandates the exchange in its proprietary format. Iowa, Maryland and Texas also have significant exchanges. Overall, however, the number of electronic transcript exchanges has remained relatively small for secondary schools, until the last year or so, when a significant volume of high school transcripts began to be exchanged in Texas via the Texas Server.

The number of transcripts exchanged electronically in the ASC X12 EDI format continues to grow significantly (about 20% increase each year). However, the education community felt that an alternative format should be explored. In the view of many, the perceived complexity of implementing the EDI standards was one of the reasons that many high schools did not use the EDI format.

The Postsecondary Electronic Standards Council (PESC) commissioned this exploration by creating the XML Forum. The Forum had as its purpose to determine if a standard XML format might result in significantly increased electronic exchanges of student educational records.

The wide and inexpensive availability of XML software tools and the already existing and pervasive use of XML by many schools' information technology staffs made the XML process appear to have a much better chance of rapid acceptance and implementation by postsecondary educational institutions.

The early efforts of the XML Forum emphasized the creation of standard reusable core components. Once the Forum made significant progress with this work, PESC agreed to develop an XML Standard Format for the College Transcript to demonstrate that this could be done.

Bruce Marton from the University of Texas at Austin headed this effort and received the bulk of his support from the AACRAO SPEEDE Committee that had developed the earlier EDI standard.

PESC approved the XML standard for the College Transcript (Version 1.1.0) in July 2004.

The approval of the XML College Transcript generated considerable interest in the creation of an XML High School Transcript. Bruce Marton reviewed the ANSI ASC X12 EDI version of the transcript, which included both the College Transcript and the High School Transcript and noted many similarities.

Under Bruce's leadership, the AACRAO SPEEDE Committee created a very rough draft of a proposed schema for an XML High School Transcript in late summer of 2004.

The October 2004 PESC Meeting in Newport Beach, California, included a session on the draft XML High School Transcript Schema. Attendees expressed significant interest, and some formed an informal PESC Workgroup to review the draft and determine if it could be used to accelerate the development of a PESC XML High School Transcript.

The Workgroup began holding weekly conference calls and enhanced the rough draft from the end of 2004 through May 2005. PESC then sent out a press release to the wider educational community and invited anyone interested to participate in a special conference call on May 26, 2005. There were thirty-nine participants on that call. Many agreed to join the Workgroup and participate in future calls.

The Workgroup decided to continue the weekly calls at least through 2005 and subsequently to post the XML Schema on the PESC web site for review by a wider audience. To assist in that review, the Workgroup prepared a first draft of an Implementation Guide.

The Workgroup completed its work in January 2006 and submitted a request for approval to the PESC Change Control Board. The PESC CCB approved the request and PESC posted the proposed schema and the draft Implementation Guide on the PESC web site for a 30 day comment review. As a result of the review, eight comments were received. These comments were addressed by the Workgroup and the responses by the Workgroup were submitted to the PESC CCB for approval. These responses were approved by the PESC CCB on May 15, 2006 and the CCB requested that the PESC membership vote to approve the XML High School Transcript Schema as a PESC national standard.

This vote was held and the PESC voting membership approved the XML High School Transcript as a PESC Standard on June 9, 2006.

Once version 1.0.0 of the schema was approved, early implementers had some suggestions to enhance the scope of the schema to include some additional data elements and enumerations to allow it to be used for exchanges among secondary schools and for sending data to state and other agencies.

Since the original workgroup was disbanded after approval of the first schema for the PESC XML High School Transcript, PESC created a new user group (Education Record User Group or ERUG) to vet the suggestions that had been received after the approval of the first schema.

Version 1.1.0 of the Implementation Guide was created in November 2009 and included all of the suggestions approved by the ERUG. These changes were approved by the PESC Change Control Board and Version 1.1.0 is now posted on the PESC.org web site.

Version 1.2.0 of the Schema and Implementation Guide was created in July 2011 and included all of the suggestions approved by the PESC Education Record User Group. These changes were approved by the PESC Change Control Board in April 2011.

This version 1.3.0 is based on the Academic Record Sector Library Version 1.7.0 and Core Main Version 1.12.0.

## **Transcript Acknowledgment**

A significant benefit of the electronic exchange of student transcripts over the exchange of paper documents is enhanced security. With desktop or notebook computers, readily available desktop publishing software, and inexpensive ink jet and laser printers, it is now quite easy for a student or other person to intercept a paper transcript after it is issued by the sending school, make alterations in the document, or create an entirely new paper transcript for the purported student, and forward it on the recipient school, parent, sponsor, employer or prospective employer as an official transcript. Official envelopes for the sending school can also easily be printed as can seals and official looking stamps. Policies of some schools to accept hand-carried transcripts, makes this abuse even easier.

The nature of the exchange of electronic transcripts through a secure Internet server such as the free server provided by the University of Texas at Austin made security far superior to paper exchanges.

By consistent use of the PESC XML Transcript Acknowledgment Schema, this security is enhanced even more. By sending an XML Transcript Acknowledgment Instance Document back to the known electronic address of the school that is identified as the sending school of the transcript, then a security breach can be identified (if that transcript did not come from the school identified as the source of that electronic transcript).

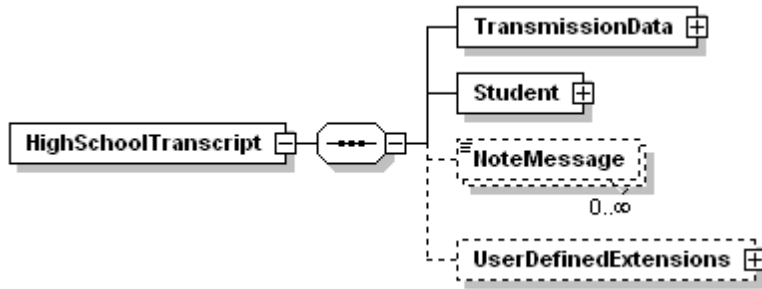
## **About Versions**

The first digit of the version indicates a major change to the schema. A change in the first digit indicates that the newer schema is not backwardly compatible with earlier versions. A change in the second digit indicates a minor change to the schema. A change in the second digit (and not the first digit) indicates that the newer schema is backwardly compatible with the previous version.

A minor change means that a receiving school that has upgraded to, for example, version 1.3.0 can continue to receive and process any instance document that used version 1.3.0 or earlier. However, a school still using version 1.2.0 would only be able to receive and process instance documents using version 1.3.0 if the instance document did not contain any occurrences of the new data elements, or any new values of existing data elements.

A change in the third digit only indicates a micro change from the previous schema and it is compatible with the previous version. If no change is made to the schema, but only one or more changes to the documentation, e.g., the Implementation Guide, then an alpha suffix will be used to denote a documentation change only. A more complete and detailed list of changes made to the schema from Version 1.0.0 to this version (1.3.0) is included in Appendix M.

## High School Transcript



Tag Name	Schema Use	Description	Recommended Use	Format
TransmissionData	Required	Routing and header information	Required	minOcc 1 maxOcc 1
<i>Comment: This complex data element will be further expanded and explained on page 2 which follows.</i>				
Student	Required	Body of document. One segment per student	Required	minOcc 1 maxOcc 1
<i>Comment: This complex data element will be further expanded and explained on page 30 which follows.</i>				
NoteMessage	Optional Repeatable	Additional information about transcript	Not recommended	minOcc 0 maxOcc ∞ minLength 1 maxLength 80
<i>Comment: Although NoteMessage occurs frequently throughout this schema and Implementation Guide, it is almost always Not Recommended for inclusion. Of course, this is because it cannot normally be automatically processed by the receiving school's or agency's computer system. It may be recommended in some cases where a state or agency has established structured formats so that the receiving school's or agency's computer can process it automatically.</i>				
UserDefinedExtensions	Optional	Additional structured information. Requires mutually defined XML schema.	Optional	minOcc 0 maxOcc 1
<i>Comment: The High School Transcript Schema can only contain information about one student. However, you can include instance documents for multiple students by using the PESC Schema for Batch Submittal which is available on the PESC web site at <a href="http://www.PESC.org">www.PESC.org</a>.</i>				

Code illustration:

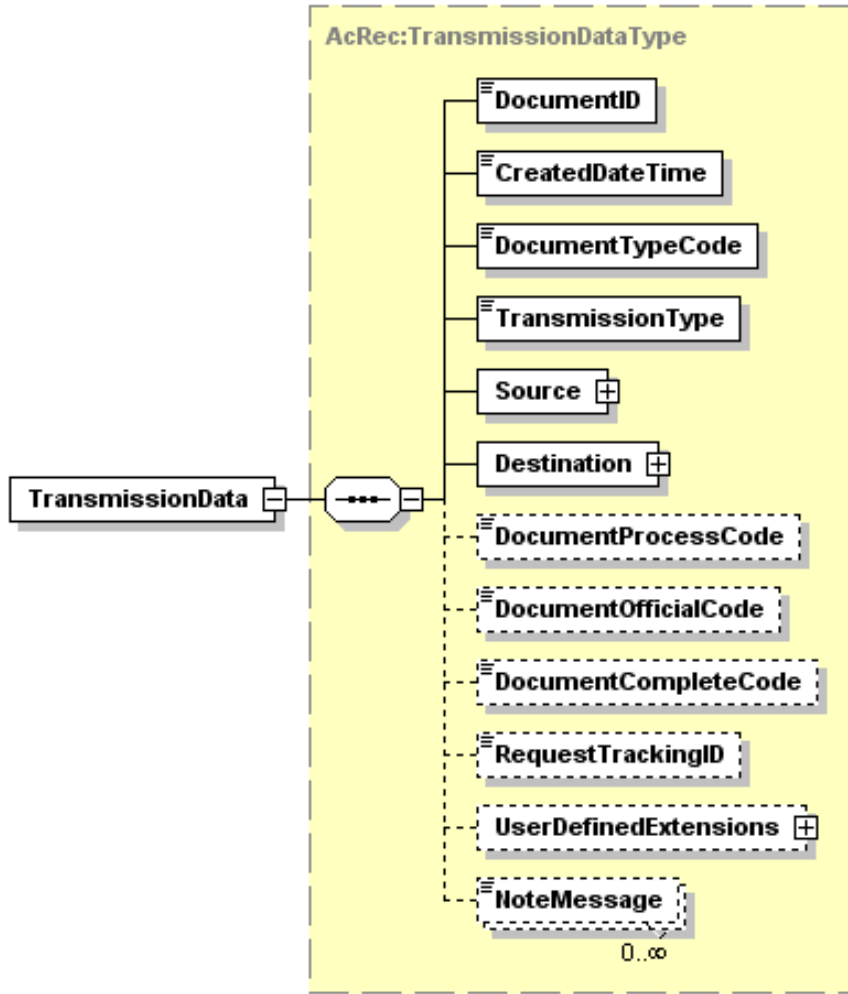
```

<HSTrn:HighSchoolTranscript
  xmlns:HSTrn="urn:org:pesc:message:HighSchoolTranscript:v1.3.0"
  xmlns:AcRec="urn:org:pesc:sector:AcademicRecord:v1.7.0"
  xmlns:core="urn:org:pesc:core:CoreMain:v1.12.0"
  xmlns:xsi="http://www.w3.org/2001/XMLSchema-instance"
  xsi:schemaLocation="urn:org:pesc:message:HighSchoolTranscript:v1.3.0
  /HighSchoolTranscript_v1.3.0.xsd">
  <TransmissionData>

  </TransmissionData>
  <Student>

  </Student>
  <NoteMessage/>
  <UserDefinedExtensions/>
</HSTrn:HighSchoolTranscript>
  
```

### TransmissionData



Tag Name	Schema Use	Description	Recommended Use	Format
DocumentID	Required	The File Transmission Date and Time stamp with additional unique qualifying characters	Required	minOcc 1 maxOcc 1 minLength 1 maxLength 35
<b>Comment:</b> The structure of the DocumentID is up to the sender. However, the general practice is that it include the date and time plus other identifying data.				
CreatedDateTime	Required	The Date and Time stamp when the document was created	Required	minOcc 1 maxOcc 1 xs:datetime ccy-mm-ddThh:ii:ss{+GMT]



Tag Name	Schema Use	Description	Recommended Use	Format
DocumentTypeCode	Required	Type and purpose of document being transmitted	Required	minOcc 1 maxOcc 1  <b>Enumerations:</b> Cancel Change InstitutionRequest RequestedRecord Response StudentRequest TermEnroll TermGrade ThirdPartyRequest
<b>Comment:</b> "Change" would be an appropriate value if the transcript had previously been sent and this is a corrected or updated transcript. "Institution Request" would be appropriate if this transcript is being sent at the request of a postsecondary institution to which the student has applied for admission. "Term Enroll" and "Term Grade" would not be typical values for this data element.				
TransmissionType	Required	The nature of the transmission	Required	minOcc 1 maxOcc 1  <b>Enumerations:</b> Original Replace Duplicate Resubmission Reissue MutuallyDefined
Source	Required	This field is required and essential to indicate the source of the Transcript being sent. It is normally the sending school where the student enrolled for courses.	Required	minOcc 1 maxOcc 1
<b>Comment:</b> This complex data element will be expanded on page 5 which follows.				
Destination	Required	This field is mandatory and essential to indicate the destination or recipient of the transcript being sent.	Required	minOcc 1 maxOcc 1
<b>Comment:</b> This complex data element will be expanded on page 24 which follows.				
DocumentProcessCode	Optional	This element indicates a TEST or PRODUCTION document	Required if "TEST"; "PRODUCTION" implied, not recommended	minOcc 0 maxOcc 1  <b>Enumerations:</b> TEST PRODUCTION
<b>Comment:</b> If a test transcript is being sent as part of the implementation testing process, or to identify a problem, then this data element would be included with the value "TEST". If this is not the case and this is a normal official transcript being sent, then this optional data element would not be included in the instance document.				
DocumentOfficialCode	Optional	This element indicates if the document is unofficial. Unofficial documents may be produced for reference purpose but may not be binding.	Required if Unofficial; "Official" implied, not recommended	minOcc 0 maxOcc 1  <b>Enumerations:</b> Official Unofficial
<b>Comment:</b> With paper transcripts, it is normal practice for the recipient to decide if the transcript received is to be considered official or unofficial. With electronic transcripts exchanged through a secure process such as the University of Texas at Austin SPEEDE Server, most recipients would consider them official. In some states, based on a prior agreement, some optional data elements that are not sent for official transcripts may be included in unofficial transcripts. If this is a normal official transcript being sent, then this data element would not be included in the instance document.				

Tag Name	Schema Use	Description	Recommended Use	Format
DocumentCompleteCode	Optional	This element indicates whether the document conveys a complete record. Partial documents may be produced for information that is recorded in multiple media or formats. If the student is still enrolled at the school, but the record being sent includes all the available information to date for that student, then the record would be considered complete, and this data element would not be included in the transcript. A value of Partial generally means that the remainder will be sent in hard copy.	Required if not complete; "Complete" is implied, not recommended	minOcc 0 maxOcc 1  <b>Enumerations:</b> Partial Complete
RequestTrackingID	Optional	The unique ID associated with a request action that is returned to the requestor for document matching and tracking.	Optional	minOcc 0 maxOcc 1 minLength 1 maxLength 35
UserDefinedExtensions	Optional	Additional structured information. Requires mutually defined XML schema.	Not Recommended	minOcc 0 maxOcc 1
NoteMessage	Optional Repeatable	Additional information about transmission	Not recommended	minOcc 0 maxOcc ∞ minLength 1 maxLength 80

Code illustration:

```

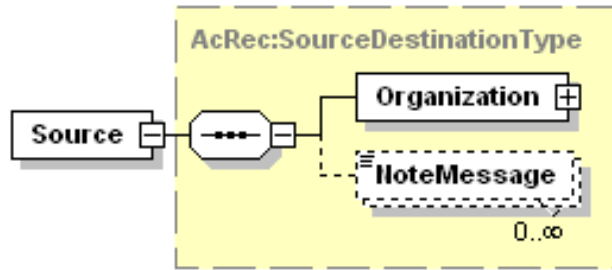
<TransmissionData>
  <DocumentID>2011-06-12-2316139</DocumentID>
  <CreatedDateTime>2011-06-12T09:30:47-05:00</CreatedDateTime>
  <DocumentTypeCode>RequestedRecord</DocumentTypeCode>
  <TransmissionType>Original</TransmissionType>
  <Source>

  </Source>
  <Destination>

  </Destination>
  <DocumentProcessCode/>
  <DocumentOfficialCode/>
  <DocumentCompleteCode/>
  <RequestTrackingID/>
  <UserDefinedExtensions/>
  <NoteMessage/>
</TransmissionData>

```

## TransmissionData.Source



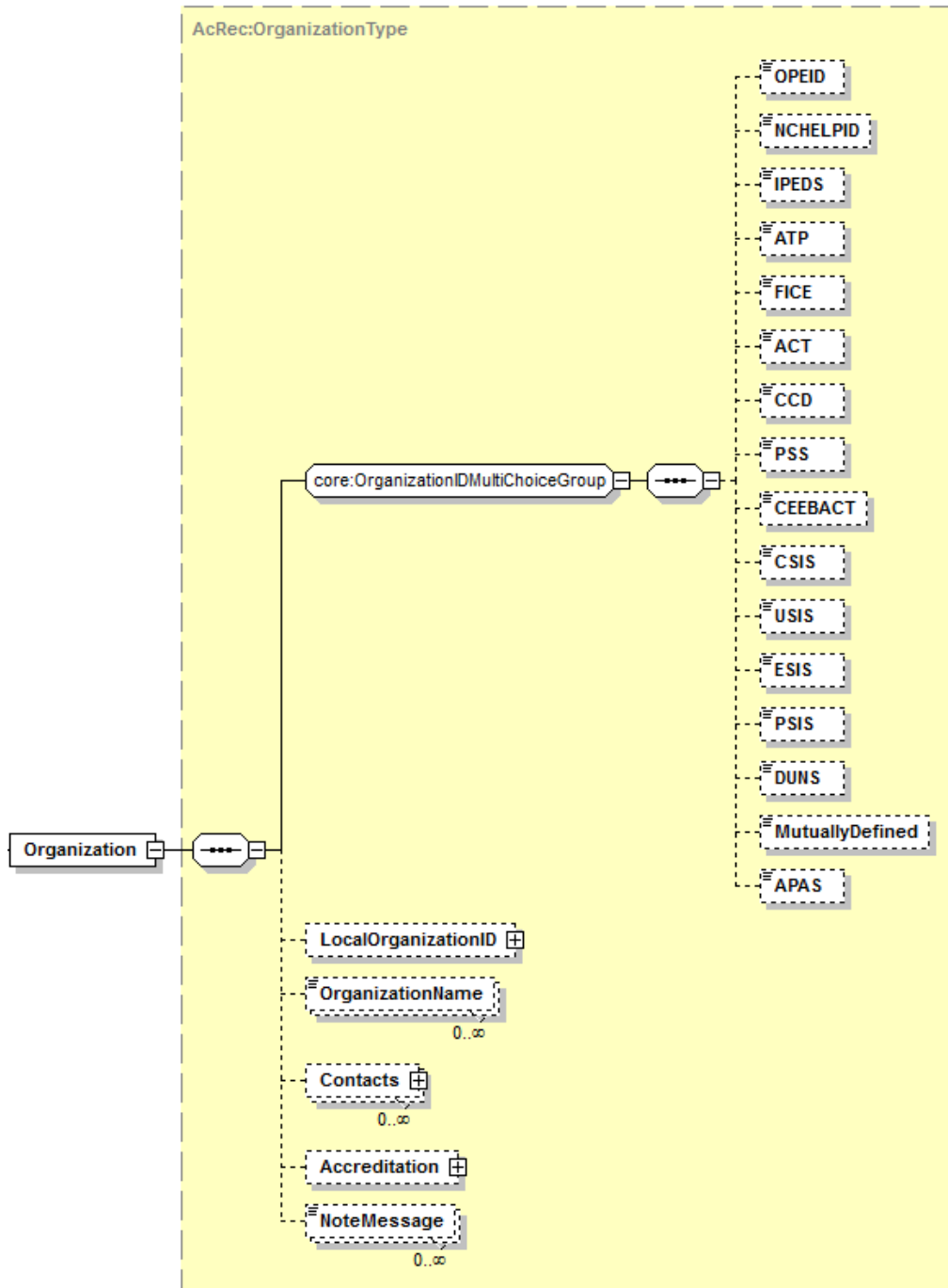
Tag Name	Schema Use	Description	Recommended Use	Format
Organization	Required	Non-person entity such as Organization, Institution, Agency or Business.	Required	minOcc 1 maxOcc 1
<b>Comment:</b> This complex data element will be expanded on page 6 which follows in this Guide.				
NoteMessage	Optional Repeatable	Additional information about the Source of this High School Transcript	Not recommended	minOcc 0 maxOcc ∞ minLength 1 maxLength 80
<b>Comment:</b> This gives information about the sending or source high school. It is not recommended since it cannot be automatically processed by receiving school's or agency's computer.				

Code illustration:

```
<Source>
  <Organization>

  </Organization>
  <NoteMessage />
</Source>
```

### TransmissionData.Source.Organization



Tag Name	Schema Use	Description	Recommended Use	Format
[OrganizationIDMultiChoice Group]	Optional	Allowable Organization IDs choice	Strongly Recommended	minOcc 0 maxOcc ∞

**Comment:** [OrganizationIDMultiChoiceGroup] is not an XML tag and does not appear in an instance document. It allows the choice of one or more of the following code set tags to identify the institution or organization. It is important, if more than one of the identifying codes is used, that they be in the same order as they appear in the schema.

Tag Name	Schema Use	Description	Recommended Use	Format
OPEID	Optional choice	The unique identifier assigned by the Office of Postsecondary Education for each data exchange partner.	Not Recommended	minOcc 0 maxOcc 1 minLength 3 maxLength 8
<b>Comment:</b> The OPEID would not normally be an appropriate choice in this case since high school transcripts are not normally generated by postsecondary institutions.				
NHELPIID	Optional choice	The unique identifier assigned by National Council on Higher Education Loan Programs for each data exchange partner.	Not Recommended	minOcc 0 maxOcc 1 minLength 3 maxLength 8
<b>Comment:</b> The NHELPIID would not normally be an appropriate choice in this case since high school transcripts are not normally generated by the financial aid world.				
IPEDS	Optional choice	The unique identifier for Integrated Postsecondary Education Data System assigned by the National Center for Education Statistics for each postsecondary data exchange partner.	Not Recommended	minOcc 0 maxOcc 1 minLength 6 maxLength 6
<b>Comment:</b> The IPEDS would not normally be an appropriate choice in this case since high school transcripts are not normally generated by postsecondary institutions.				
ATP	Optional choice	The unique identifier for the Admissions Testing Program assigned by the College Board for each data exchange partner.	Not Recommended	minOcc 0 maxOcc 1 minLength 6 maxLength 6
<b>Comment:</b> Since ATP codes are normally issued only to postsecondary institutions, the use of this code to identify a secondary school is not recommended.				
FICE	Optional choice	The unique identifier once maintained for the Federal Interagency Committee on Education by the National Center for Education Statistics for each postsecondary data exchange partner.	Not Recommended	minOcc 0 maxOcc 1 minLength 6 maxLength 6
<b>Comment:</b> Although the FICE code set is still widely used by many postsecondary institutions, it has not been maintained by NCES or anyone else since late in the last century. Therefore, codes for new institutions created since then, have been locally assigned and cannot be relied upon. Since FICE codes were normally issued only to postsecondary institutions, the use of this code to identify a secondary school is not recommended.				
ACT	Optional choice	The unique identifier for postsecondary educational institutions assigned by American College Testing available at <a href="http://www.act.org">www.act.org</a>	Not Recommended	minOcc 0 maxOcc 1 minLength 4 maxLength 4
<b>Comment:</b> Since ACT codes are normally issued only to postsecondary institutions, the use of this code to identify a secondary school is not recommended.				
CCD	Optional choice	The unique identifier assigned by National Center for Education Statistics as the Common Core of Data for each data exchange partner.	Recommended choice	minOcc 0 maxOcc 1 minLength 12 maxLength 12
<b>Comment:</b> The CCD is a recommended choice to identify secondary school senders.				

Tag Name	Schema Use	Description	Recommended Use	Format
PSS	Optional choice	The unique identifier assigned by the US Department of Education's National Center for Education Statistics for each private K-12 school data exchange partner.	Recommended choice	minOcc 0 maxOcc 1 minLength 8 maxLength 8
<b>Comment:</b> The PSS code set is a preferred choice to identify private secondary school senders.				
CEEBACT	Optional choice	The unique identifier assigned by the College Entrance Examining Board and ACT for each K-12 data exchange partner.	Recommended choice	minOcc 0 maxOcc 1 minLength 6 maxLength 6
<b>Comment:</b> The CEEBACT code set is a preferred choice to identify secondary school senders.				
CSIS	Required choice	The unique identifier assigned by the Statistics Canada Canadian College Student Information System for each postsecondary data exchange partner.	Not Recommended	minOcc 0 maxOcc 1 minLength 6 maxLength 6
<b>Comment:</b> Since this code set, formerly used to identify postsecondary schools in Canada, would not be an appropriate choice since it is being phased out. It is being replaced by the PSIS code set shown below.				
USIS	Required choice	The unique identifier assigned by the Statistics Canada University Student Information System for each data postsecondary exchange partner.	Not Recommended	minOcc 0 maxOcc 1 minLength 6 maxLength 6
<b>Comment:</b> Since this code set is used to identify postsecondary schools in Canada, it is not a recommended choice for high schools in the United States. It is also being phased out in Canada and replaced by the PSIS code set shown below.				
ESIS	Required choice	The unique identifier assigned by the Statistics Canada Enhanced Student Information System for each data postsecondary exchange partner.	Not Recommended	minOcc 0 maxOcc 1 minLength 8 maxLength 8
<b>Comment:</b> The ESIS number would not be a normal choice to identify the sending high school that created a High School Transcript in Canada. Neither would it be an appropriate choice for a high school in the United States.				
PSIS	Required choice	The unique identifier assigned by the Statistics Canada Enhanced Student Information System for each data postsecondary exchange partner.	Not Recommended	minOcc 0 maxOcc 1 minLength 8 maxLength 8
<b>Comment:</b> The PSIS number would not be a normal choice to identify the sending high school that created a High School Transcript in Canada. Neither would it be an appropriate choice for a high school in the United States.				
DUNS	Required choice	Data Universal Numbering System (DUNS), unique nine character company identification number issued by Dun and Bradstreet Corporation.	Not Recommended	minOcc 0 maxOcc 1 minLength 9 maxLength 9
<b>Comment:</b> The DUNS number would not be a normal choice to identify the sending school that created a High School Transcript.				
MutuallyDefined	Required choice	This code set could be used by prior agreement with a previously agreed upon set of trading partners, usually within a state or province, or within a group of several states or provinces.	Optional choice	minOcc 0 maxOcc 1 minLength 1 maxLength 60
<b>Comment:</b> The Mutually Defined code set would not be a normal choice to identify the sending school that created a High School Transcript unless it has been previously agreed upon by a designated set of users.				

Tag Name	Schema Use	Description	Recommended Use	Format
APAS	Optional choice	Identification codes used by the Alberta Post-Secondary Application System.	Optional choice	minOcc 0 maxOcc 1 minLength 2 maxLength 12
<i><b>Comment:</b> This is an appropriate choice for institutions in Canada.</i>				
<i><b>Comment:</b> End of OrganizationIDMultiChoiceGroup choice set tags</i>				
OrganizationName	Optional Repeatable	Name of Non-person entity such as Organization, Institution, Agency or Business.	Recommended	minOcc 0 maxOcc ∞ minLength 1 maxLength 60
<i><b>Comment:</b> This is the name of the sending high school.</i>				
Contacts	Optional Repeatable	To identify a person or an office at the sending school to which administrative communications should be directed	Recommended	minOcc 0 maxOcc ∞
Accreditation	Optional	This complex data element provides information about the accreditation of the school sending the transcript.	Optional	minOcc 0 maxOcc 1
<i><b>Comment:</b> This complex data element will be expanded on page 22 which follows in this Guide.</i>				
NoteMessage	Optional Repeatable	Additional information about the organization	Not recommended	minOcc 0 maxOcc ∞ minLength 1 maxLength 80

Code illustration:

```

<Organization>
  <CEEBACT>440320</CEEBACT>
  <LocalOrganizationID>

  </LocalOrganizationID>
  <OrganizationName>Austin High School</OrganizationName>
  <OrganizationName>Austin Independent School District</OrganizationName>
  <Contacts>

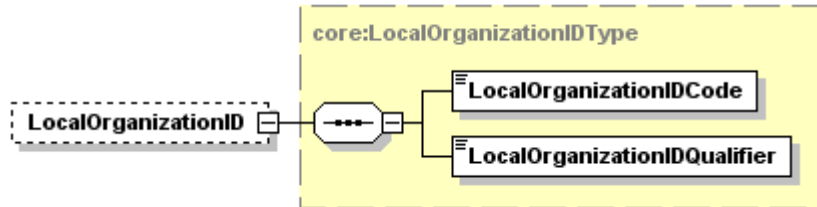
  </Contacts>
  <Accreditation>

  </Accreditation>
  <NoteMessage/>
</Organization>

```

## TransmissionData.Source.Organization.LocalOrganizationID

**Note:** Although the complex data element *LocalOrganizationID* is an optional data element, if you choose to send *LocalOrganizationID*, then you must send both *LocalOrganizationIDCode* and also *LocalOrganizationIDQualifier*.



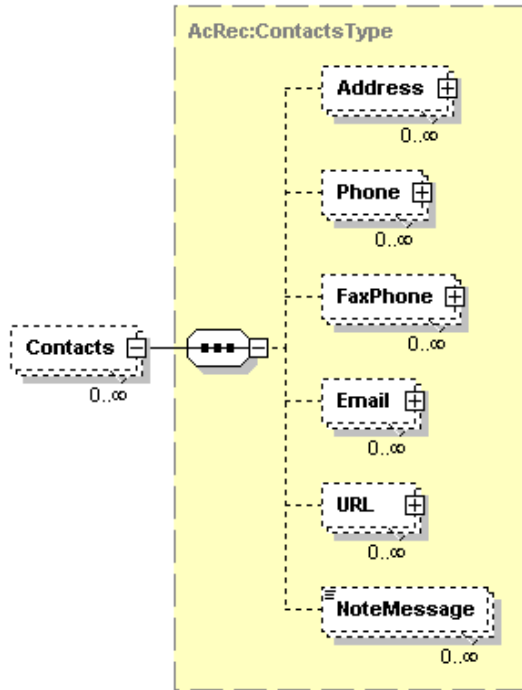
Tag Name	Schema Use	Description	Recommended Use	Format
LocalOrganizationIDCode	Required	The code assigned for the sending school by the state, province or other mutually defined agency specified in the LocalIDQualifier that follows.	Required	minOcc 1 maxOcc 1 minLength 1 maxLength 35
<b>Comment:</b> This is a required data element only if the Local Organization ID complex data element is sent. This is typically the administrative school code assigned by a state or province to identify the sending school in that state.				
LocalOrganizationIDQualifier	Required	This is the state, province or other mutually defined agency that assigned the Local ID Code above.	Required	minOcc 1 maxOcc 1 <b>Enumerations:</b> See Code Set in Appendix A
<b>Comment:</b> This is a required data element only if the Local Organization ID data element is sent. This is typically the state or province that assigned the code to identify the sending school in that state or province.				

Code illustration:

```
<LocalOrganizationID>
  <LocalOrganizationIDCode>2237901002</LocalOrganizationIDCode>
  <LocalOrganizationIDQualifier>TX</LocalOrganizationIDQualifier>
</LocalOrganizationID>
```



### TransmissionData.Source.Organization.Contacts



Tag Name	Schema Use	Description	Recommended Use	Format
Address	Optional Repeatable	This is a combined Address Group for a choice between Domestic or International	Recommended	minOcc 0 maxOcc ∞
<b>Comment:</b> This complex data element will be expanded on page 13 which follows in this Guide.				
Phone	Optional Repeatable	Phone number of source institution contact	Recommended	minOcc 0 maxOcc ∞
<b>Comment:</b> This complex data element will be expanded on page 16 which follows in this Guide.				
FaxPhone	Optional Repeatable	Fax phone number of source institution contact	Recommended	minOcc 0 maxOcc ∞
<b>Comment:</b> This complex data element will be expanded on page 18 which follows in this Guide.				
Email	Optional Repeatable	Email address of source institution contact	Recommended	minOcc 0 maxOcc ∞
<b>Comment:</b> This complex data element will be expanded on page 20 which follows in this Guide.				
URL	Optional Repeatable	The Uniform Resource Locator of source institution	Optional	minOcc 0 maxOcc ∞
<b>Comment:</b> This complex data element will be expanded on page 21 which follows in this Guide.				
NoteMessage	Optional Repeatable	Additional information about the contacts at the source institution	Not recommended	minOcc 0 maxOcc ∞ minLength 1 maxLength 80
<b>Comment:</b> This is contact information included by the sending high school to indicate the preferred means for the receiving school to contact the sending school in case there is a need for further communication. This is the only place in the instance document to include the name, address and contact information about the school that is sending the transcript.				

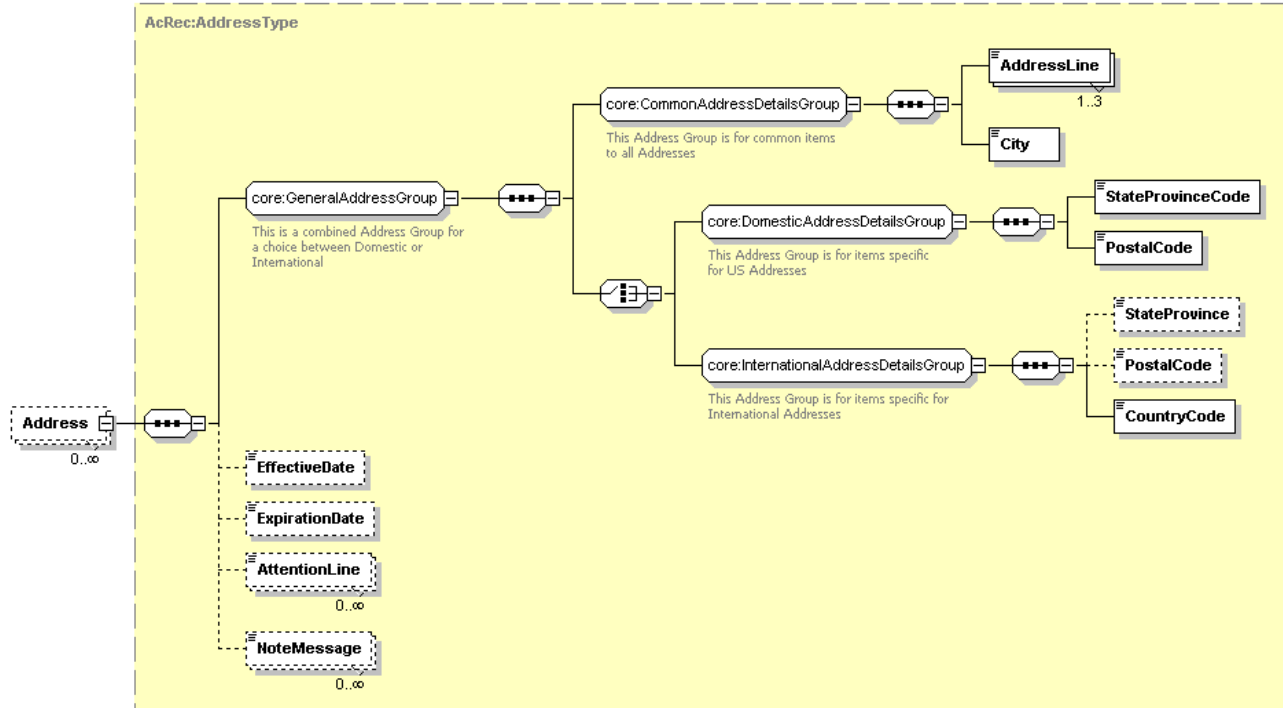
## TransmissionData.Source.Organization.Contacts (Continued)

Code illustration:

```
<Contacts>  
  <Address>  
  
    </Address>  
    <Phone>  
  
    </Phone>  
    <FaxPhone>  
  
    </FaxPhone>  
    <Email>  
  
    </Email>  
    <URL>  
  
    </URL>  
    <NoteMessage />  
</Contacts>
```

## TransmissionData.Source.Organization.Contacts.Address

**Note:** Although the complex data element Address is an optional data element, if you choose to send the Address of Contacts at the Source Institution, then you must send AddressLine and City and also StateProvinceCode, and PostalCode OR CountryCode.



Tag Name	Schema Use	Description	Recommended Use	Format
<i>GeneralAddressGroup</i>	Required	This Address Group is for items common to all Addresses	Required	minOcc 1 maxOcc 1
<b>Comment:</b> [ <i>GeneralAddressGroup</i> ] does not appear in the instance document. It requires the use of <i>CommonAddressDetailsGroup</i> and the choice of one of either <i>DomesticAddressDetailsGroup</i> or <i>InternationalAddressDetailsGroup</i> . This group is required in the schema only if you choose to send the address of the contact.				
<i>CommonAddressDetailsGroup</i>	Required	This Address Group is for items common to all Addresses	Required	minOcc 1 maxOcc 1
<b>Comment:</b> [ <i>CommonAddressDetailsGroup</i> ] does not appear in the instance document. If the address of a contact is included in the transcript, then this must be sent. It is required and must be paired with one of either <i>DomesticAddressDetailsGroup</i> or <i>InternationalAddressDetailsGroup</i> .				
AddressLine	Required Repeatable	Local delivery information such as street, building number, PO box, or apartment portion of a postal address of a Contact at the Sending (Source) High School.	Required	minOcc 1 maxOcc 3 minLength 1 maxLength 40
City	Required	The city portion of the Address of a Contact at the Sending (Source) High School.	Required	minOcc 1 maxOcc 1 minLength 2 maxLength 30

Tag Name	Schema Use	Description	Recommended Use	Format
<i>DomesticAddressDetailsGroup</i>	Required choice	This Address Group is for items specific for US and Canadian Addresses	Required for domestic addresses	minOcc 1 maxOcc 1
<b>Comment:</b> [DomesticAddressDetailsGroup] does not appear in the instance document. If the complex data element address has a United States or Canadian Postal Code and a US State or Canadian Province Code, then this should be the required choice.				
StateProvinceCode	Required	Code for US states, etc., and Canadian provinces.	Required	minOcc 1 maxOcc 1  <b>Enumerations:</b> See Appendix A
PostalCode	Required	The postal code portion of the Address.	Required	minOcc 1 maxOcc 1 minLength 1 maxLength 17
<i>InternationalAddressDetailsGroup</i>	Required choice	This Address Group is for items specific for International Addresses	Required for international addresses	minOcc 1 maxOcc 1
<b>Comment:</b> [InternationalAddressDetailsGroup] does not appear in the instance document. This choice is for addresses that do not have a US or Canadian postal code.				
StateProvince	Optional	The literal name of the state, province or territory of a postal address of the source of this document. Use for addresses outside US or Canada.	Recommended Refer to common postal practices of the source country	minOcc 0 maxOcc 1 minLength 2 maxLength 30
<b>Comment:</b> For an internet resource of states or other geographical subdivisions in countries other than the US and Canada, you might choose to refer to the website of the Universal Postal Union at <a href="http://www.upu.int">http://www.upu.int</a>				
PostalCode	Optional	The postal code portion of the Address.	Recommended Refer to common postal practices of the source country	minOcc 0 maxOcc 1 minLength 1 maxLength 17
<b>Comment:</b> For an internet resource of states or other geographical subdivisions in countries other than the US and Canada, you might choose to refer to the website of the Universal Postal Union at <a href="http://www.upu.int">http://www.upu.int</a>				
CountryCode	Required	Code indicating Country. Use ISO 3166-1 alpha-2 standard.	Required	minOcc 1 maxOcc 1  <b>Enumerations:</b> See Appendix B
EffectiveDate	Optional	This the date when this address for the sending high school did or will become effective.	Optional	minOcc 0 maxOcc 1 Format is xs:date or ccyy-mm-dd
ExpirationDate	Optional	This the date when this address for the sending high school will no longer be valid.	Optional	minOcc 0 maxOcc 1 Format is xs:date or ccyy-mm-dd
AttentionLine	Optional	The individual or office name within the postal address where inquiries should be directed.	Optional	minOcc 0 maxOcc ∞ minLength 1 maxLength 45
<b>Comment:</b> This might be used to indicate where questions about the record should be sent. For example, <i>Principal, Guidance Counselor, Headmaster, Registrar, etc.</i>				
NoteMessage	Optional Repeatable	Additional information about the addresses of the contacts at the source school	Not recommended	minOcc 0 maxOcc ∞ minLength 1 maxLength 80

## TransmissionData.Source.Organization.Contacts.Address (Continued)

Code illustration 1 (Domestic Address):

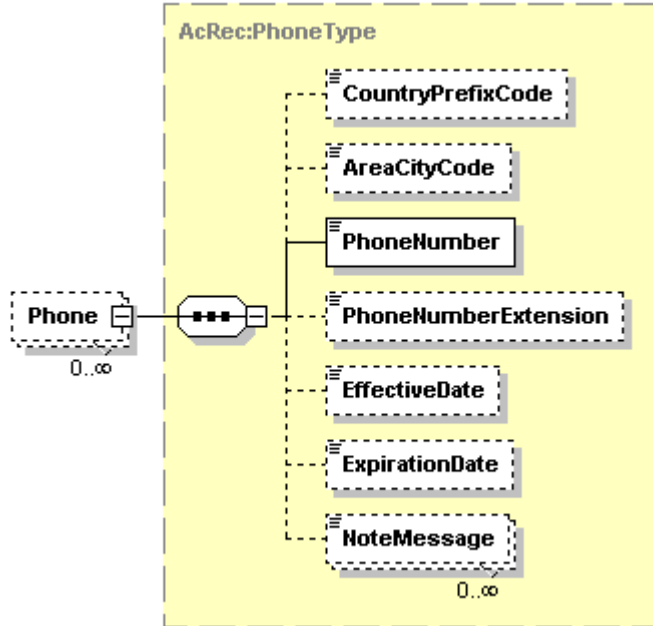
```
<Address>  
  <AddressLine>1715 W Cesar Chavez</AddressLine>  
  <City>Austin</City>  
  <StateProvinceCode>TX</StateProvinceCode>  
  <PostalCode>78703</PostalCode>  
  <EffectiveDate />  
  <ExpirationDate />  
  <AttentionLine>Jane Doe</AttentionLine>  
  <AttentionLine>GuidanceCounselor</AttentionLine>  
  <NoteMessage />  
</Address>
```

Code illustration 2 (International Address):

```
<Address>  
  <AddressLine>Altova Corporation</AddressLine>  
  <AddressLine>Rudolfsplatz 13a/9</AddressLine>  
  <City>Wien</City>  
  <StateProvince />  
  <PostalCode>A-1010</PostalCode>  
  <CountryCode>AT</CountryCode>  
  <EffectiveDate />  
  <ExpirationDate />  
  <AttentionLine />  
  <NoteMessage />  
</Address>
```

## TransmissionData.Source.Organization.Contacts.Phone

**Note:** Although the complex data element *Phone* is an optional data element, if you choose to send the *Phone* of a *Contact* at the *Sending Institution*, then you must send a phone number.



Tag Name	Schema Use	Description	Recommended Use	Format
CountryPrefixCode	Optional	International dialing code	Recommended	minOcc 0 maxOcc 1 minLength 1 maxLength 3
<b>Comment:</b> For phones in the US, the CountryPrefixCode has a value of "1" or "001". If the transcript is being sent from and to an entity in the US, it is not necessary to include this data element.				
AreaCityCode	Optional	Regional dialing code	Recommended	minOcc 0 maxOcc 1 minLength 1 maxLength 5
PhoneNumber	Required	Telephone number	Required	minOcc 1 maxOcc 1 minLength 1 maxLength 11
<b>Comment:</b> The phone number will typically be sent as a string of numbers with no spaces, periods or dashes.				
PhoneNumberExtension	Optional	The extended telephone addressing information used in addition to phone number such as a PBX extension, a pager PIN, or FAX sub-address	Optional	minOcc 0 maxOcc 1 minLength 1 maxLength 5
EffectiveDate	Optional	This the date when this phone information for the sending high school did or will become effective.	Optional	minOcc 0 maxOcc 1 Format is xs:date or ccy-mm-yy
ExpirationDate	Optional	This the date when this phone information for the sending high school will no longer be valid.	Optional	minOcc 0 maxOcc 1 Format is xs:date or ccy-mm-yy

Tag Name	Schema Use	Description	Recommended Use	Format
NoteMessage	Optional Repeatable	Additional information about the phone number of the contact at the source institution	Not recommended	minOcc 0 maxOcc ∞ minLength 1 maxLength 80

## **TransmissionData.Source.Organization.Contacts.Phone (Continued)**

Code illustration:

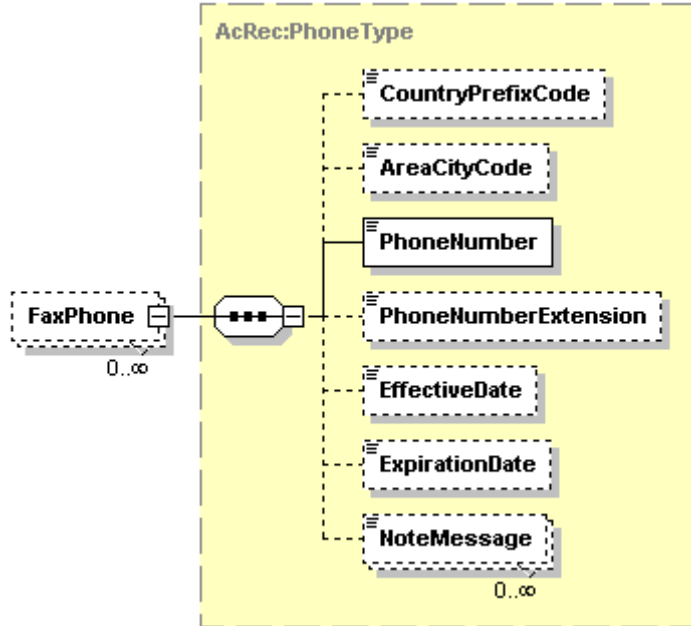
```

<Phone>
  <CountryPrefixCode/>
  <AreaCityCode>512</AreaCityCode>
  <PhoneNumber>4142505</PhoneNumber>
  <PhoneNumberExtension />
  <EffectiveDate />
  <ExpirationDate />
</Phone>

```

## TransmissionData.Source.Organization.Contacts.FaxPhone

**Note:** Although the complex data element FaxPhone is an optional data element, if you choose to send the FaxPhone of a Contact at the Sending Institution, then you must send a phone number.



Tag Name	Schema Use	Description	Recommended Use	Format
CountryPrefixCode	Optional	International dialing code	Recommended	minOcc 0 maxOcc 1 minLength 1 maxLength 3
<b>Comment:</b> For fax phones in the US, the CountryPrefixCode has a value of "1" or "001". If the transcript is being sent to an entity in the US, it is not necessary to include this data element.				
AreaCityCode	Optional	Regional dialing code	Recommended	minOcc 0 maxOcc 1 minLength 1 maxLength 5
PhoneNumber	Required	Telephone number	Required	minOcc 1 maxOcc 1 minLength 1 maxLength 11
<b>Comment:</b> The phone number will typically be sent as a string of numbers with no spaces, periods or dashes.				
PhoneNumberExtension	Optional	The extended telephone addressing information used in addition to phone number such as a PBX extension, a pager PIN, or FAX sub-address	Optional	minOcc 0 maxOcc 1 minLength 1 maxLength 5
EffectiveDate	Optional	This the date when this fax phone information for the sending high school did or will become effective.	Optional	minOcc 0 maxOcc 1 Format is xs:date or ccy-mm-yy
ExpirationDate	Optional	This the date when this fax phone information for the sending high school will no longer be valid.	Optional	minOcc 0 maxOcc 1 Format is xs:date or ccy-mm-yy



Tag Name	Schema Use	Description	Recommended Use	Format
NoteMessage	Optional Repeatable	Additional information about the phone number of the contact at the source institution	Not recommended	minOcc 0 maxOcc ∞ minLength 1 maxLength 80

**TransmissionData.Source.Organization.Contacts.FaxPhone (Continued)**

Code illustration:

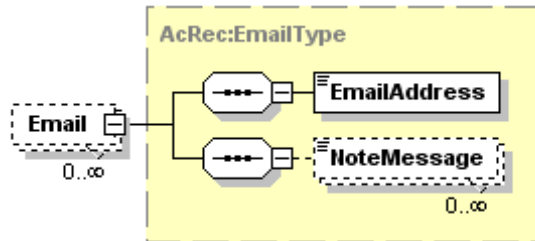
```

<FaxPhone>
  <CountryPrefixCode/>
  <AreaCityCode>512</AreaCityCode>
  <PhoneNumber>4142505</PhoneNumber>
  <PhoneNumberExtension />
  <EffectiveDate />
  <ExpirationDate />
  <NoteMessage />
</FaxPhone>

```

## TransmissionData.Source.Organization.Contacts.Email

**Note:** Although the complex data element *Email* is an optional data element, if you choose to send the *Email* of a *Contact* at the *Sending Institution*, then you must send the data element *EmailAddress*.



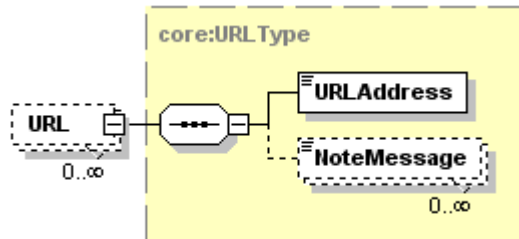
Tag Name	Schema Use	Description	Recommended Use	Format
EmailAddress	Required	The numbers, letters, and symbols used to identify an electronic mail (Email) user within a network.	Required	minOcc 1 maxOc 1 minLength 1 maxLength 128
NoteMessage	Optional Repeatable	Additional information about the email address of the contact at the sending high school	Not recommended	minOcc 0 maxOc ∞ minLength 1 maxLength 80

Code illustration:

```
<Email>
  <EmailAddress>registrar@anyhighschool.edu</EmailAddress>
  <NoteMessage />
</Email>
```

## TransmissionData.Source.Organization.Contacts.URL

**Note:** Although the complex data element URL is an optional data element, if you choose to send the URL of the Sending Institution, then you must send the URLAddress.

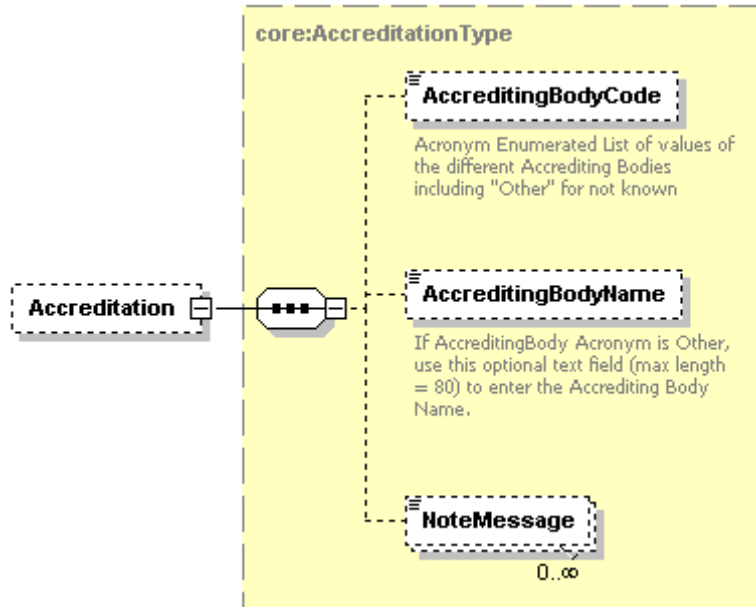


Tag Name	Schema Use	Description	Recommended Use	Format
URLAddress	Required	The Uniform Resource Locator (URL) address of the sending high school or of a contact at the sending high school	Required	minOcc 0 maxOcc 1 minLength 1 maxLength 512
NoteMessage	Optional Repeatable	Additional information about the URL address of the source institution	Not recommended	minOcc 0 maxOcc ∞ minLength 1 maxLength 80

Code illustration:

```
<URL>
  <URLAddress>www.anyhighschool.edu</URLAddress>
  <NoteMessage />
</URL>
```

### TransmissionData.Source.Organization.Accreditation



Tag Name	Schema Use	Description	Recommended Use	Format
AccreditingBodyCode	Optional	This is the acronym for the regional or other accrediting body that has given accreditation to the school sending the high school transcript	Optional	minOcc 0 maxOcc 1 <b>Enumerations:</b> MSA NCA-HLC NCA-CASI NEASC-CIHE NEASC-CTCI NWCCU SACS WASC-ACCJC WASC-ACSCU Other

**Comment:** This is information that might accompany a paper transcript, either on the reverse side of a page or attached to it. The accrediting bodies are

**MSA** – Middle States Association of Colleges and Schools, Commission on Higher Education

**NCA-HLC** – North Central Association of Colleges and Schools, Higher Learning Commission

**NCA-CASI** – North Central Association of Colleges and Schools, Commission on Accreditation and School Improvement, Board of Trustees

**NEASC-CIHE** – New England Association of Schools and Colleges, Inc., Commission on Institutions of Higher Education

**NEASC-CTCI** – New England Association of Schools and Colleges, Inc., Commission on Technical and Career Institutions

**NWCCU** – Northwest Commission on Colleges and Universities

**SACS** – Southern Association of Colleges and Schools, Commission on Colleges

**WASC-ACCJC** – Western Association of Schools and Colleges, Accrediting Commission for Community and Junior Colleges

**WASC-ACSCU** – Western Association of Schools and Colleges, Accrediting Commission for Senior Colleges and Universities

**Other** – Other accrediting bodies not shown above

Tag Name	Schema Use	Description	Recommended Use	Format
AccreditingBodyName	Optional	The name of the accrediting body.	Optional	minOcc 0 maxOc 1 minLength 1 maxLength 80
<b>Comment:</b> This is the specific name of the accrediting body. It would only be important to include it, if the enumerated value of "Other" was used in the data element "AccreditingBodyCode".				
NoteMessage	Optional Repeatable	Additional information about the accreditation of the sending high school	Not recommended	minOcc 0 maxOc ∞ minLength 1 maxLength 80

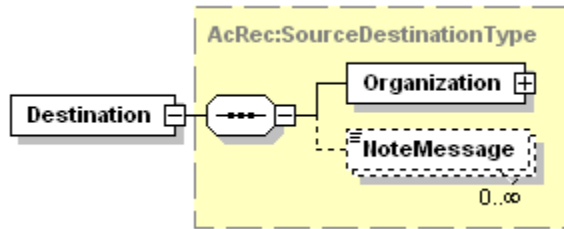
Code illustration:

```

<Accreditation>
  <AccreditingBodyCode>SACS</AccreditingBodyCode>
  <AccreditingBodyName>Southern Association of Colleges and School, Council on Accreditation and School
Improvement</AccreditingBodyName>
  <NoteMessage />
</Accreditation>

```

## TransmissionData.Destination



Tag Name	Schema Use	Description	Recommended Use	Format
Organization	Required	Non-person entity such as Organization, Institution, Agency or Business.	Required	minOcc 1 maxOcc 1
<i>Comment: This complex data element will be expanded on page 25 which follows.</i>				
NoteMessage	Optional Repeatable	Additional information about destination organization or school.	Not Recommended	minOcc 0 maxOcc ∞ minLength 1 maxLength 80
<i>Comment: This is the postsecondary school or other agency to which this student's transcript is being sent.</i>				

Code illustration:

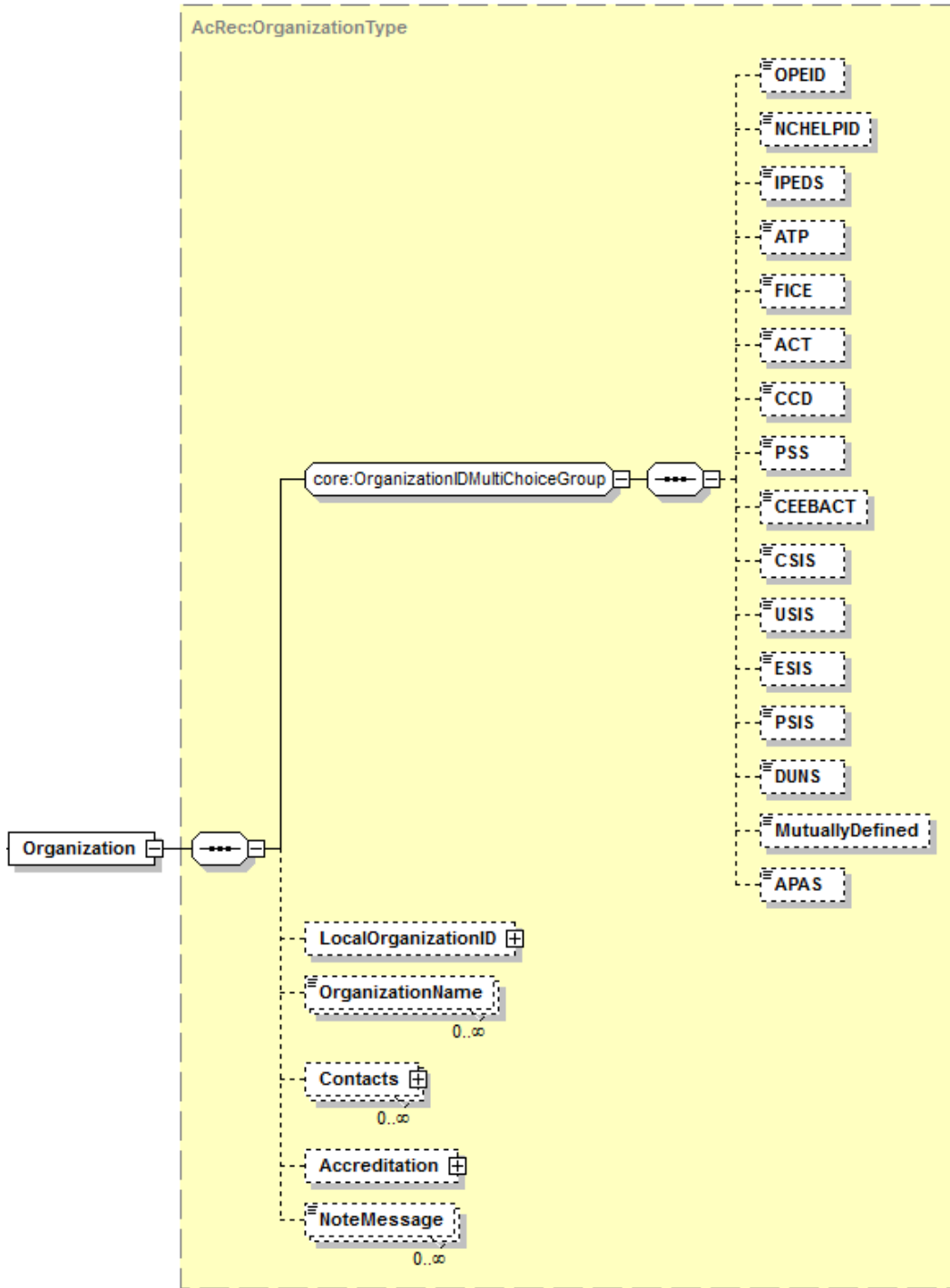
```

<Destination>
  <Organization>

  </Organization>
  <NoteMessage />
</Destination>

```

### TransmissionData.Destination.Organization



Tag Name	Schema Use	Description	Recommended Use	Format
[OrganizationIDMultiChoiceGroup]	Optional	Allowable Organization IDs - Allowable choices	Required	minOcc 0 maxOcc ∞

**Comment:** [OrganizationIDMultiChoiceGroup] is not an XML tag and does not appear in an instance document. It allows the choice of one or more of the following code set tags to identify the institution/organization to which this transcript is being sent.

Tag Name	Schema Use	Description	Recommended Use	Format
OPEID	Optional choice	The unique identifier assigned by the US Office of Postsecondary Education for each data exchange partner.	Recommended choice	minOcc 0 maxOcc 1 minLength 3 maxLength 8
<b>Comment:</b> The OPEID would normally be an appropriate choice in this case since high school transcripts are frequently sent to postsecondary institutions.				
NHELPID	Optional choice	The unique identifier assigned by National Council on Higher Education Loan Programs for each data exchange partner.	Not Recommended	minOcc 0 maxOcc 1 minLength 3 maxLength 8
<b>Comment:</b> The NHELPID would not normally be an appropriate choice in this case since high school transcripts are not normally sent to the financial aid world.				
IPEDS	Optional choice	The unique identifier for the US Integrated Postsecondary Education Data System assigned by the National Center for Education Statistics for each postsecondary data exchange partner.	Recommended choice	minOcc 0 maxOcc 1 minLength 6 maxLength 6
<b>Comment:</b> The IPEDS would be an appropriate choice for a High School Transcript being sent to a postsecondary school.				
ATP	Optional choice	The unique identifier for the Admissions Testing Program assigned by the College Board for each data exchange partner.	Recommended choice	minOcc 0 maxOcc 1 minLength 6 maxLength 6
<b>Comment:</b> Since ATP codes are normally issued only to postsecondary institutions, this would be a recommended choice for a postsecondary school receiving the transcript.				
FICE	Optional choice	The unique identifier once maintained for the Federal Interagency Committee on Education by the National Center for Education Statistics for each postsecondary data exchange partner.	Recommended choice	minOcc 0 maxOcc 1 minLength 6 maxLength 6
<b>Comment:</b> Although the FICE code set is still widely used by many postsecondary institutions, it has not been maintained by NCES or anyone else since late in the last century. Therefore, codes for new institutions created since then, have been locally assigned and cannot be relied upon. Still it is an acceptable choice for the destination for a high school transcript being sent to a postsecondary school.				
ACT	Optional choice	The unique identifier for postsecondary educational institutions assigned by American College Testing available at www.act.org	Recommended choice	minOcc 0 maxOcc 1 minLength 4 maxLength 4
<b>Comment:</b> Since ACT codes are normally issued only to postsecondary institutions, the use of this code to identify a postsecondary school receiving the high school transcript would be a recommended choice.				
CCD	Optional choice	The unique identifier assigned by National Center for Education Statistics as the Common Core of Data for each data exchange partner.	Recommended choice	minOcc 0 maxOcc 1 minLength 12 maxLength 12
<b>Comment:</b> The CCD is a recommended choice to identify a secondary school who might be the recipient of a high school transcript.				
PSS	Optional choice	The unique identifier assigned by the US Department of Education's National Center for Education Statistics for each private K-12 school data exchange partner.	Recommended choice	minOcc 0 maxOcc 1 minLength 8 maxLength 8
<b>Comment:</b> The PSS code set is a preferred choice to identify private secondary schools who might be the recipient of a high school transcript.				



Tag Name	Schema Use	Description	Recommended Use	Format
CEEBACT	Optional choice	The unique identifier assigned by the College Entrance Examining Board and ACT for each K-12 data exchange partner.	Recommended choice	minOcc 0 maxOcc 1 minLength 6 maxLength 6
<b>Comment:</b> The CEEBACT code set is a preferred choice to identify secondary school recipients of a high school transcript.				
CSIS	Optional choice	The unique identifier assigned by the Statistics Canada Canadian College Student Information System for each postsecondary data exchange partner.	Not Recommended	minOcc 0 maxOcc 1 minLength 6 maxLength 6
<b>Comment:</b> This code set, formerly used to identify colleges in Canada, would not be an appropriate choice since it is being phased out. It is being replaced by the PSIS code set shown below.				
USIS	Optional choice	The unique identifier assigned by the Statistics Canada University Student Information System for each data postsecondary exchange partner.	Not Recommended	minOcc 0 maxOcc 1 minLength 6 maxLength 6
<b>Comment:</b> This code set, formerly used to identify universities in Canada, would not be an appropriate choice since it is being phased out. It is being replaced by the PSIS code set shown below.				
ESIS	Optional choice	The unique identifier assigned by the Statistics Canada Enhanced Student Information System for each data postsecondary exchange partner.	Not Recommended	minOcc 0 maxOcc 1 minLength 8 maxLength 8
<b>Comment:</b> The ESIS number would not be a normal choice to identify the recipient of a High School Transcript in Canada. It is being phased out in Canada and replace by the PSIS shown below.				
PSIS	Optional choice	The unique identifier assigned by the Statistics Canada Enhanced Student Information System for each data postsecondary exchange partner.	Recommended choice	minOcc 0 maxOcc 1 minLength 8 maxLength 8
<b>Comment:</b> The PSIS number would be a normal choice to identify the receiving school for a High School Transcript in Canada. It would not be an appropriate choice for a school in the United States.				
DUNS	Optional choice	Data Universal Numbering System (DUNS), unique nine character company identification number issued by Dun and Bradstreet Corporation.	Not Recommended	minOcc 0 maxOcc 1 minLength 9 maxLength 9
<b>Comment:</b> The DUNS number would not be a normal choice to identify the recipient for a High School Transcript.				
MutuallyDefined	Optional choice	This code set could be used by prior agreement with a previously agreed upon set of trading partners, usually within a state or province, or within a group of several states or provinces or by users of the same vendor.	Optional choice	minOcc 0 maxOcc 1 minLength 1 maxLength 60
<b>Comment:</b> The Mutually Defined code set would not be a normal choice to identify the school that is to receive a High School Transcript unless it has been previously agreed upon by a designated set of users.				
APAS	Optional choice	Identification codes used by the Alberta Post-Secondary Application System.	Optional choice	minOcc 0 maxOcc 1 minLength 2 maxLength 12
<b>Comment:</b> This is an appropriate choice for institutions in Canada.				
<b>Comment:</b> End of OrganizationIDGroup choice set tags				

Tag Name	Schema Use	Description	Recommended Use	Format
LocalOrganizationID	Optional	A code set typically used by a state, province or region to further identify the receiving school.	Optional	minOcc 0 maxOcc 1
<i><b>Comment:</b> This complex data element will be expanded on page 29 which follows in this Guide.</i>				
OrganizationName	Optional Repeatable	Name of Non-person entity such as Organization, Institution, Agency or Business.	Recommended	minOcc 0 maxOcc ∞ minLength 1 maxLength 60
<i><b>Comment:</b> This is the name of the receiving school.</i>				
Contacts	Optional Repeatable	To identify a person or an office at the receiving school to which administrative communications should be directed	Not Recommended	minOcc 0 maxOcc ∞
<i><b>Comment:</b> It would be very unusual for a sending school to include this info about the school to which the high school transcript is being sent. If it is important to include it, the format was shown on page 11, earlier in this Guide.</i>				
Accreditation	Optional	This complex data element provides information about the accreditation of the school sending the transcript.	Not Recommended	minOcc 0 maxOcc 1
<i><b>Comment:</b> It would be very unusual for a sending school to include this info about the school to which the high school transcript is being sent. If it is important to include it, the format was shown on page 22, earlier in this Guide.</i>				
NoteMessage	Optional Repeatable	Additional information about the organization	Not recommended	minOcc 0 maxOcc ∞ minLength 1 maxLength 80

Code illustration:

```

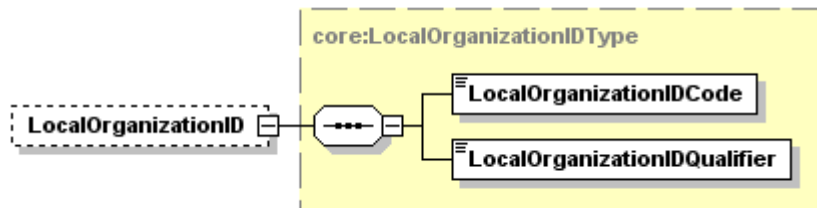
<Organization>
  <ATP>006882</ATP>
  <FICE>123456</FICE>
  <ACT>1234</ACT>
  <LocalOrganizationID>

  </LocalOrganizationID>
  <OrganizationName>THE UNIVERSITY OF TEXAS AT AUSTIN</OrganizationName>
  <Contacts />
  <Accreditation/>
  <NoteMessage/>
</Organization>

```

## TransmissionData.Destination.Organization.LocalOrganizationID

**Note:** Although the complex data element *LocalOrganizationID* is an optional data element, if you choose to send *LocalOrganizationID*, then you must also send both *LocalOrganizationIDCode* and also *LocalOrganizationIDQualifier*.

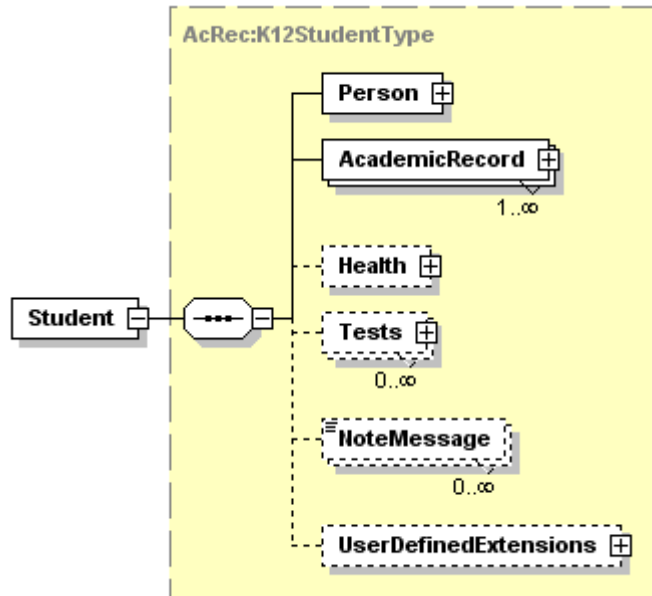


Tag Name	Schema Use	Description	Recommended Use	Format
LocalOrganizationIDCode	Required	The code assigned for the receiving school by the state, province or other mutually defined agency specified in the LocalIDQualifier that follows.	Required	minOcc 1 maxOcc 1 minLength 1 maxLength 35
<b>Comment:</b> This is a required data element only if the Local Organization ID complex data element is sent. This is typically the administrative school code assigned by a state or province to identify the receiving school in that state.				
LocalIDQualifier	Required	This is the state, province or other mutually defined agency that assigned the Local Organization ID Code above.	Required	minOcc 1 maxOcc 1 <b>Enumerations:</b> See Code Set in Appendix A
<b>Comment:</b> This is a required data element only if the Local Organization ID complex data element is sent. This is typically the state or province that assigned the code to identify the receiving school in that state.				

Code illustration:

```
<LocalOrganizationID>
  <LocalOrganizationIDCode>012587</LocalOrganizationIDCode>
  <LocalOrganizationIDQualifier>TX</LocalOrganizationIDQualifier>
</LocalOrganizationID>
```

Student



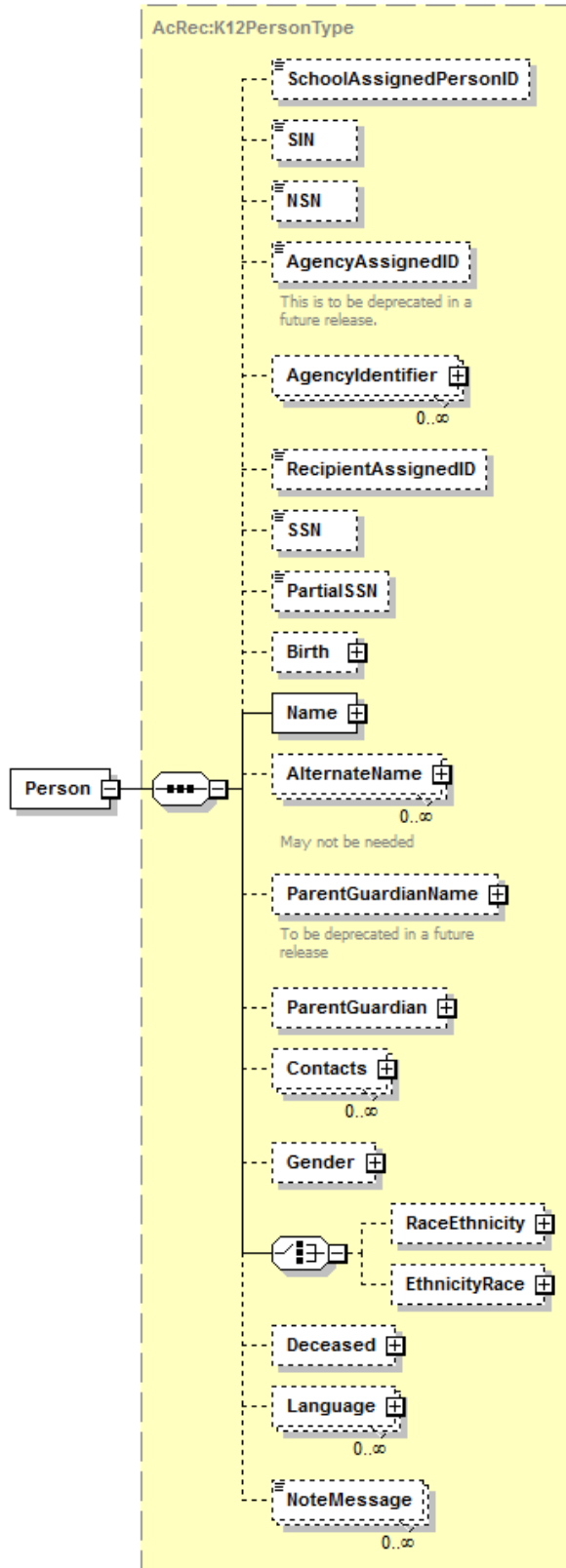
Tag Name	Schema Use	Description	Recommended Use	Format
Person	Required	Biographical and demographic information about the student.	Required	minOcc 1 maxOcc 1
<b>Comment:</b> This complex data element will be expanded on page 32 which follows in this Guide.				
AcademicRecord	Required Repeatable	Information concerning the academic achievement or status of the student.	Required	minOcc 1 maxOcc ∞
<b>Comment:</b> The AcademicRecord complex data element may be repeated. There must be at least one occurrence which normally represents the record from the sending institution; additional occurrences may be included for transferred work. This complex data element will be expanded on page 67 which follows in this Guide.				
Health	Optional	Immunization, vaccinations and health screenings	Optional	minOcc 0 maxOcc 1
<b>Comment:</b> This complex data element will be expanded on page 280 which follows in this Guide.				
Tests	Optional Repeatable	Academic and achievement test data	Optional	minOcc 0 maxOcc ∞
<b>Comment:</b> Tests administered by national testing agencies are recommended to come directly from the agency and should not normally be included with the transcript. Use this section for state and local test data as required. This complex data element will be expanded on page 282 which follows in this Guide.				
NoteMessage	Optional Repeatable	Additional information about the student	Not Recommended	minOcc 0 maxOcc ∞ minLength 1 maxLength 80
UserDefinedExtensions	Optional	Additional structured information. Requires mutually defined XML schema.	Optional	minOcc 0 maxOcc 1
<b>Comment:</b> User Defined Extensions are mini schemas containing formatted data that has been agreed to among a previously determined set of trading partners. This is typically a state, region or perhaps users of a specific vendor's product. Other users not in the set of trading partners would simply ignore this complex data element.				

## Student (Continued)

Code illustration:

```
<Student>  
  <Person>  
  
    </Person>  
    <AcademicRecord>  
  
      </AcademicRecord>  
      <Health>  
  
        </Health>  
        <Tests>  
  
          </Tests>  
          <NoteMessage />  
          <UserDefinedExtensions />  
</Student>
```

## Student.Person



## Student.Person (Continued)

Tag Name	Schema Use	Description	Recommended Use	Format
SchoolAssignedPersonID	Optional	School Assigned Identifier Type	Recommended	minOcc 0 maxOcc 1 minLength 1 maxLength 20
<b>Comment:</b> This is the student's ID at the source or sending school. It is recommended that this ID number be included, even if the student ID number used is an Agency Assigned ID.				
SIN	Optional	The person's Canadian Social Insurance Number	Not Recommended	minOcc 0 maxOcc 1 minLength 9 maxLength 9
<b>Comment:</b> This is a Canadian student's Social Insurance Number assigned by the Canadian government. It is not appropriate for the High School Transcript sent by a US high school. Neither is it recommended in Canada to identify students on education records.				
NSN	Optional	Canadian National Student Number Identifier Type	Not Recommended	minOcc 0 maxOcc 1 minLength 0 maxLength 30
<b>Comment:</b> This is a postsecondary Canadian student's National Student Number assigned by postsecondary schools using the format used by Statistics Canada. It is not appropriate for the High School Transcript				
AgencyAssignedID	Optional	The ID assigned by the state or province or an agency, to the person (student).	Not Recommended	minOcc 0 maxOcc 1 minLength 1 maxLength 30
<b>Comment:</b> This data element is deprecated and will be removed from this complex data element in a future release.				
AgencyIdentifier	Optional Repeatable	This complex data element is used to provide a student ID assigned by an agency, state, province, etc.	Optional	minOcc 0 maxOcc ∞
<b>Comment:</b> This complex data element will be expanded on page 37 which follows in this Guide.				
RecipientAssignedID	Optional	Recipient Assigned Identifier Type	Optional	minOcc 0 maxOcc 1 minLength 1 maxLength 20
<b>Comment:</b> If this transcript is being sent in response to a request for the transcript from another institution, then this is the student's ID number at the school that requested the record.				
SSN	Optional	The person's U.S. Social Security Number	Recommended	pattern \d{9} minOcc 0 maxOcc 1
<b>Comment:</b> If included, this number must be sent as a string of nine numbers with no dashes. While the SSN is no longer appropriate for use as a student identifier, it is extremely helpful for the receiving school or agency to match the student's record there.				
PartialSSN	Optional	The last four digits of the person's U.S. Social Security Number	Conditional	pattern \d{4} minOcc 0 maxOcc 1
<b>Comment:</b> Although the US FERPA regulations do not prohibit the inclusion of the US Social Security Number on an official student transcript, some schools choose not to send the complete 9 digit Social Security Number. If the full SSN is not included, sending the last four digits of the SSN, assists the receiving school with the process of matching the incoming student transcript with a student already in the receiving school's student data base. If included, this number must be sent as a string of four numbers with no dashes. It is recommended that either the SSN or the Partial SSN be included, but not both.				
Birth	Optional	Identifying information related to a person's birth	Recommended	minOcc 0 maxOcc 1
<b>Comment:</b> This complex data element will be expanded on page 39 which follows in this Guide. This information is very helpful in matching the transcript with the student's record at the receiving institution. It is almost essential if the SSN is not included.				

Tag Name	Schema Use	Description	Recommended Use	Format
Name	Required	The name of record of the student at the sending institution	Required	minOcc 1 maxOcc 1
<b>Comment:</b> This should be the full legal name of the student as recorded at the sending institution. This complex data element will be expanded on page 41 which follows in this Guide.				
AlternateName	Optional Repeatable	Any other names by which the student may be known	Optional	minOcc 0 maxOcc ∞
<b>Comment:</b> Includes former name(s), nicknames, or other names by which the student may be known. This complex data element will be expanded on page 43 which follows in this Guide.				
ParentGuardianName	Optional	This is the name of the primary parent or guardian responsible for the high school student.	Not Recommended	minOcc 0 maxOcc 1
<b>Comment:</b> This data element is deprecated and will not be included in this complex data element in a future major release of this Schema.				
ParentGuardian	Optional	This complex data element identifies the primary parent or guardian responsible for the high school student.	Optional	minOcc 0 maxOcc 1
<b>Comment:</b> This complex data element will be expanded on page 47 which follows in this Guide.				
Contacts	Optional Repeatable	Contact information for the student as recorded by the sending institution	Recommended	minOcc 0 maxOcc ∞
<b>Comment:</b> This is helpful for creating a record when the receiving institution has not previously been contacted by the student. It may also help to match this transcript with the student's record at the receiving school, especially if the SSN is not included. This complex data element will be expanded on page 50 which follows in this Guide.				
Gender	Optional	Gender of the student	Recommended	minOcc 0 maxOcc 1
<b>Comment:</b> Useful for matching. Although AACRAO does not recommend including this information on the paper transcript, it is recommended to be included on the XML electronic transcript if the destination is to a postsecondary institution or other governmental agency. This complex data element will be expanded on page 61 which follows in this Guide.				
RaceEthnicity	Optional Choice	The student's race and ethnicity code as recorded in the sending school's records using the format in effect prior to 2008.	Not Recommended	minOcc 0 maxOcc 1
<b>Comment:</b> This is the old set of codes to include the race and ethnicity of a student. If this is a former student, then this may be the only data available. For current or recent students, then it would be preferable to use the next data element.				
EthnicityRace	Optional Choice	The student's ethnicity and race code(s) as recorded in the sending school's records. This is the format that began to be used after 2008.	Optional choice	minOcc 0 maxOcc 1
<b>Comment:</b> May be helpful for receiving institution to identify the student. This complex data element will be expanded on page 63 which follows in this Guide.				



Tag Name	Schema Use	Description	Recommended Use	Format
Deceased	Optional	Information related a student's death	Optional	minOcc 0 maxOcc 1
<i><b>Comment:</b> Recommended if the student is deceased; useful for identity fraud prevention. This complex data element will be expanded on page 65 which follows in this Guide.</i>				
Language	Optional Repeatable	Information about the student's ability to communicate in languages other than the primary language of the country where the sending school is located.	Optional	minOcc 0 maxOcc ∞
<i><b>Comment:</b> This complex data element will be expanded on page 66 which follows in this Guide.</i>				
NoteMessage	Optional Repeatable	Additional information about the person	Not Recommended	minOcc 0 maxOcc ∞ minLength 1 maxLength 80

## Student.Person (Continued)

Code illustration:

```
<Person>
  <SchoolAssignedPersonID>5555555</SchoolAssignedPersonID>
  <SIN/>
  <NSN/>
  <AgencyAssignedID />
  <AgencyIdentifier>

  </AgencyIdentifier>
  <RecipientAssignedID/>
  <SSN>555555555</SSN>
  <Birth>

  </Birth>
  <Name>

  </Name>
  <AlternateName>

  </AlternateName>
  <ParentGuardianName/>
  <ParentGuardian>

  </ParentGuardian>
  <Contacts>

  </Contacts>
  <Gender>

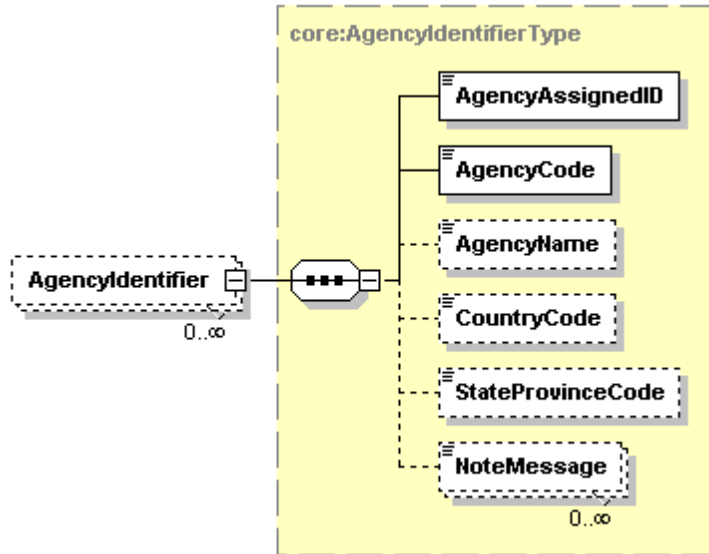
  </Gender>
  <EthnicityRace>

  </EthnicityRace>
  <Deceased>

  </Deceased>
  <Language>

  </Language>
  <NoteMessage />
</Person>
```

### Student.Person.AgencyIdentifier



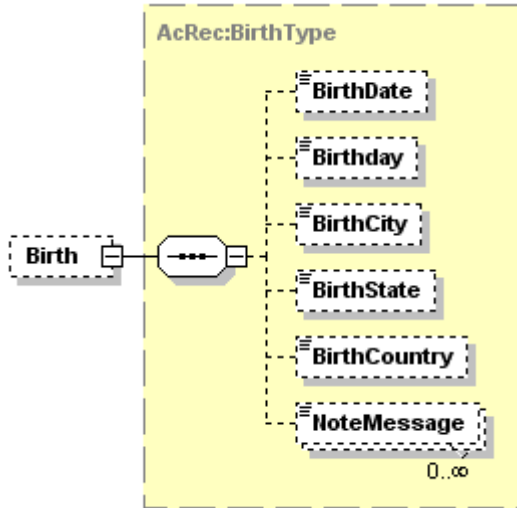
Tag Name	Schema Use	Description	Recommended Use	Format
AgencyAssignedID	Required	An identification number that has been assigned to the student by a state or province or other agency	Required	minOcc 1 maxOcc 1 minLength 1 maxLength 30
AgencyCode	Required	A code that describes the type of agency that assigned the student's identification number	Required	minOcc 1 maxOcc 1 <b>Enumerations:</b> District Migrant MutuallyDefined National Province Regional State
AgencyName	Optional	The name of the state, province or agency that assigned the identification number to the student	Optional	minOcc 0 maxOcc 1 minLength 1 maxLength 60
<b>Comment:</b> It is important to include the name of the agency if a value of "MutuallyDefined" was sent as the AgencyCode.				
CountryCode	Optional	The code that identifies the country in the world in which the agency that assigned the ID to the student is located. . . Use ISO 3 155-1 alpha-2 standard.	Optional	minOcc 0 maxOcc 1 <b>Enumerations:</b> See Appendix B1 or B2
StateProvinceCode	Optional	The code that identifies the state or province in the US or Canada in which the agency that assigned the identification number to the student is located.	Optional	minOcc 0 maxOcc 1 <b>Enumerations:</b> See Appendix A
NoteMessage	Optional Repeatable	Additional information about the identification number assigned by an agency	Not Recommended	minOcc 0 maxOcc ∞ minLength 1 maxLength 80

## Student.Person.AgencyIdentifier (Continued)

Code illustration:

```
<AgencyIdentifier>  
  <AgencyAssignedID>555554321</AgencyAssignedID>  
  <AgencyCode>State</AgencyCode>  
  <AgencyName>Texas Education Agency</AgencyName>  
  <CountryCode/>  
  <StateProvinceCode>TX</StateProvinceCode>  
  <NoteMessage />  
</AgencyIdentifier>
```

### Student.Person.Birth



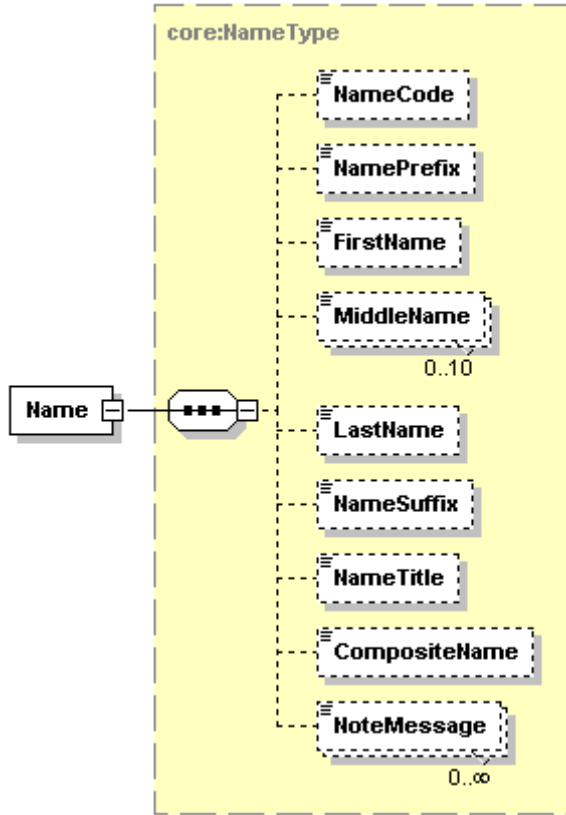
Tag Name	Schema Use	Description	Recommended Use	Format
BirthDate	Optional	Date of Birth	Recommended	minOcc 0 maxOcc 1 xs:date Format is ccyy-mm-dd
<b>Comment:</b> This may be useful in identifying the student at the receiving institution, especially if the SSN is not included.				
Birthday	Optional	Month and Day of Birth	Optional	minOcc 0 maxOcc 1 xs:gMonthDay Format is --mm-dd
<b>Comment:</b> Use instead of BirthDate when it is desirable to withhold the student's age. The correct format for Birthday (the birthdate without the year) is mm-dd preceded by two dashes. For example, "--11-05".				
BirthCity	Optional	The city in which the person was born.	Optional	minOcc 0 maxOcc 1 minLength 2 maxLength 30
<b>Comment:</b> This may be useful in identifying the student at the receiving institution, especially if the SSN and the Date of Birth are not included.				
BirthState	Optional	The state (within the United States) or extra-state jurisdiction in which the person was born	Optional	minOcc 0 maxOcc 1 <b>Enumerations:</b> See Appendix A
<b>Comment:</b> This may be useful in identifying the student at the receiving institution, especially if the SSN and the Date of Birth are not included.				
BirthCountry	Optional	The name of the country in which the person was born. Use ISO 3 155-1 alpha-2 standard.	Optional	minOcc 0 maxOcc 1 <b>Enumerations:</b> See Appendix B
<b>Comment:</b> This may be useful in identifying the student at the receiving institution, especially if the SSN and the Date of Birth are not included.				
NoteMessage	Optional Repeatable	Additional information about Birth	Not Recommended	minOcc 0 maxOcc ∞ minLength 1 maxLength 80

## Student.Person.Birth (Continued)

Code illustration:

```
<Birth>  
  <BirthDate>1987-07-20</BirthDate>  
  <Birthday/>  
  <BirthCity>Miami</BirthCity>  
  <BirthState>FL</BirthState>  
  <BirthCountry>US</BirthCountry>  
  <NoteMessage />  
</Birth>
```

### Student.Person.Name



Tag Name	Schema Use	Description	Recommended Use	Format
NameCode	Optional	This data element is used to describe the type of name included in this complex data element	Recommended	minOcc 0 maxOcc 1 <b>Enumerations:</b> Casual Formal Former LawSchoolApplication Source Legal MedicalSchoolApplicat ionSource Nickname Other
NamePrefix	Optional	An honorific, title or form of address that precedes the name.	Not Recommended	minOcc 0 maxOcc 1 minLength 1 maxLength 30
FirstName	Optional	The first name of the person, usually given at birth, baptism, or during another ceremony, or through legal change	Recommended	minOcc 0 maxOcc 1 minLength 1 maxLength 35
MiddleName	Optional Repeatable	A secondary name of the person, usually given at birth, baptism, or during another naming ceremony or through legal change	Recommended	minOcc 0 maxOcc 10 minLength 1 maxLength 35

Tag Name	Schema Use	Description	Recommended Use	Format
LastName	Optional	The last name or surname by which a person is legally known	Recommended	minOcc 0 maxOcc 1 minLength 1 maxLength 35
NameSuffix	Optional	The expression of an individual's generation within a family.	Recommended	minOcc 0 maxOcc 1 <b>Enumerations:</b> JR SR I II III IV V VI VII VIII IX X
NameTitle	Optional	An honorific, title or credential that follows the name.	Not Recommended	minOcc 0 maxOcc 1 minLength 1 maxLength 30
CompositeName	Optional	The full name of the person in Last NameSuffix, First Middle order; comma after last name or NameSuffix	Not Recommended	minOcc 0 maxOcc 1 minLength 1 maxLength 45
<b>Comment:</b> The use of the Composite Name, while it is allowed, is not recommended. It is felt that the storing of a person's name in schools' student information systems as individual components is becoming more common. And it should be easier for the sending school to break up a composite name into its individual components, than for the receiving school to do so.				
NoteMessage	Optional Repeatable	Additional information about the student name	Not Recommended	minOcc 0 maxOcc ∞ minLength 1 maxLength 80

Code illustration:

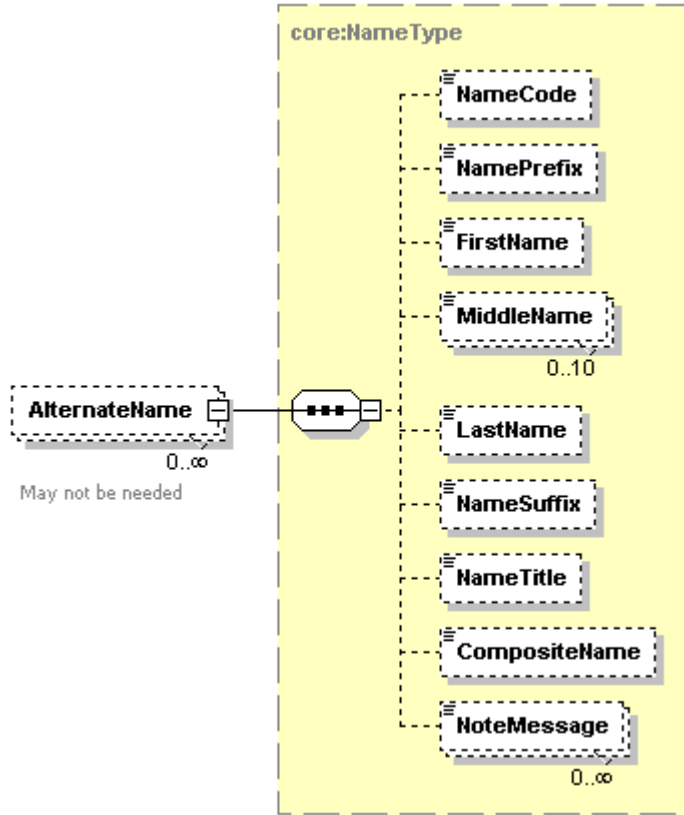
```

<Name>
  <NameCode>Legal</NameCode>
  <NamePrefix />
  <FirstName>John</FirstName>
  <MiddleName>Billy</MiddleName>
  <MiddleName>Bob</MiddleName>
  <LastName>Thornton</LastName>
  <NameSuffix>JR</NameSuffix>
  <NameTitle />
  <CompositeName />
  <NoteMessage />
</Name>

```



### Student.Person.AlternateName



Tag Name	Schema Use	Description	Recommended Use	Format
NameCode	Optional	This data element is used to describe the type of name included in this complex data element	Recommended	minOcc 0 maxOcc 1 <b>Enumerations:</b> Casual Formal Former LawSchoolApplicationSource Legal MedicalSchoolApplicationSource Nickname Other
NamePrefix	Optional	An honorific, title or form of address that precedes the name.	Not Recommended	minOcc 0 maxOcc 1 minLength 1 maxLength 30
FirstName	Optional	The first name of the person, usually given at birth, baptism, or during another ceremony, or through legal change	Recommended	minOcc 0 maxOcc 1 minLength 1 maxLength 35
MiddleName	Optional Repeatable	A secondary name of the person, usually given at birth, baptism, or during another naming ceremony or through legal change	Recommended	minOcc 0 maxOcc 10 minLength 1 maxLength 35

Tag Name	Schema Use	Description	Recommended Use	Format
LastName	Optional	The last name or surname by which a person is legally known	Recommended	minOcc 0 maxOcc 1 minLength 1 maxLength 35
NameSuffix	Optional	The expression of an individual's generation within a family.	Recommended	minOcc 0 maxOcc 1 <b>Enumerations:</b> JR SR I II III IV V VI VII VIII IX X
NameTitle	Optional	An honorific, title or credential that follows the name.	Not Recommended	minOcc 0 maxOcc 1 minLength 1 maxLength 30
CompositeName	Optional	The full name of the person in Last, First Middle order, comma after last name	Not Recommended	minOcc 0 maxOcc 1 minLength 1 maxLength 45
<b>Comment:</b> The use of the Composite Name, while it is allowed, is not recommended. It is felt that the storing of a person's name in schools' student information systems as individual components is becoming more common. And it should be easier for the sending school to break up a composite name into its individual components, than for the receiving school to do so.				
NoteMessage	Optional Repeatable	Additional information about the alternate name	Not Recommended	minOcc 0 maxOcc ∞ minLength 1 maxLength 80
<b>Comment:</b> Sending of alternate names may sometimes help in the matching of this transcript with the student's record at the receiving institution.				

Code illustration:

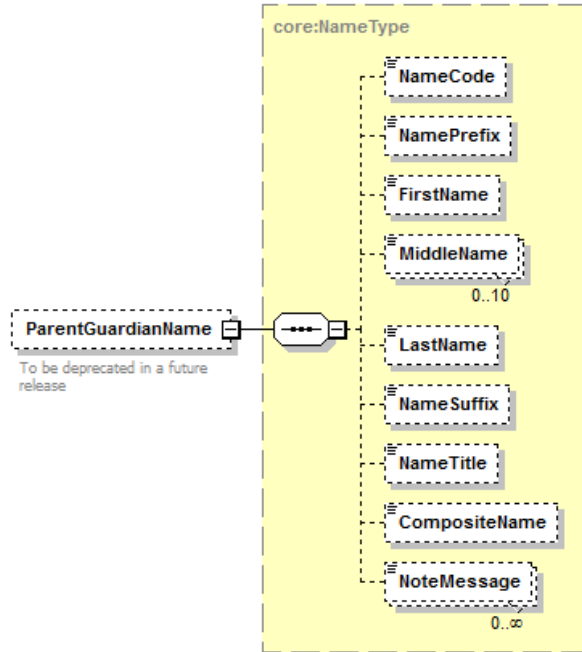
```

<AlternateName>
  <NameCode>Former</NameCode>
  <NamePrefix />
  <FirstName>Test</FirstName>
  <MiddleName>Record</MiddleName>
  <MiddleName>Test</MiddleName>
  <LastName>Speede</LastName>
  <NameSuffix>IV</NameSuffix>
  <NameTitle />
  <CompositeName />
  <NoteMessage />
</AlternateName>

```

## Student.Person.ParentGuardianName

**Note:** This data element has been marked for deprecation in the next major release of the schema. If this information is to be included, use the next complex data on page 47 which follows.



Tag Name	Schema Use	Description	Recommended Use	Format
NameCode	Optional	This data element is used to describe the type of name included in this complex data element	Not Recommended	minOcc 0 maxOcc 1 <b>Enumerations:</b> Casual Formal Former LawSchoolApplicationSource Legal MedicalSchoolApplicationSource Nickname Other
NamePrefix	Optional	An honorific, title or form of address that precedes the name.	Not Recommended	minOcc 0 maxOcc 1 minLength 1 maxLength 30
FirstName	Optional	The first name of the person, usually given at birth, baptism, or during another ceremony, or through legal change	Not Recommended	minOcc 0 maxOcc 1 minLength 1 maxLength 35
MiddleName	Optional Repeatable	A secondary name of the person, usually given at birth, baptism, or during another naming ceremony or through legal change	Not Recommended	minOcc 0 maxOcc 10 minLength 1 maxLength 35

Tag Name	Schema Use	Description	Recommended Use	Format
LastName	Optional	The last name or surname by which a person is legally known	Not Recommended	minOcc 0 maxOcc 1 minLength 1 maxLength 35
NameSuffix	Optional	The expression of an individual's generation within a family.	Not Recommended	minOcc 0 maxOcc 1 <b>Enumerations:</b> JR SR I II III IV V VI VII VIII IX X
NameTitle	Optional	An honorific, title or credential that follows the name.	Not Recommended	minOcc 0 maxOcc 1 minLength 1 maxLength 30
CompositeName	Optional	The full name of the person in Last, First Middle order, comma after last name	Not Recommended	minOcc 0 maxOcc 1 minLength 1 maxLength 45
<b>Comment:</b> The use of the Composite Name, while it is allowed, is not recommended. It is felt that the storing of a person's name in schools' student information systems as individual components is becoming more common. And it should be easier for the sending school to break up a composite name into its individual components, than for the receiving school to do so.				
NoteMessage	Optional Repeatable	Additional information about the alternate name	Not Recommended	minOcc 0 maxOcc ∞ minLength 1 maxLength 80
<b>Comment:</b> This data element is being deprecated in a future major release of the schema.				

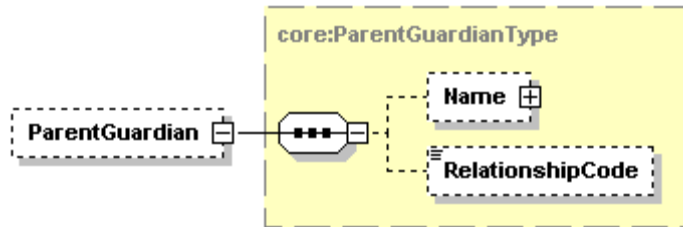
Code illustration:

```

<ParentGuardianName>
  <NameCode>Legal</NameCode>
  <NamePrefix/>
  <FirstName>John</FirstName>
  <MiddleName/>
  <LastName>Parent</LastName>
  <NameSuffix/>
  <NameTitle/>
  <CompositeName/>
  <NoteMessage/>
</ParentGuardianName>

```

## Student.Person.ParentGuardian



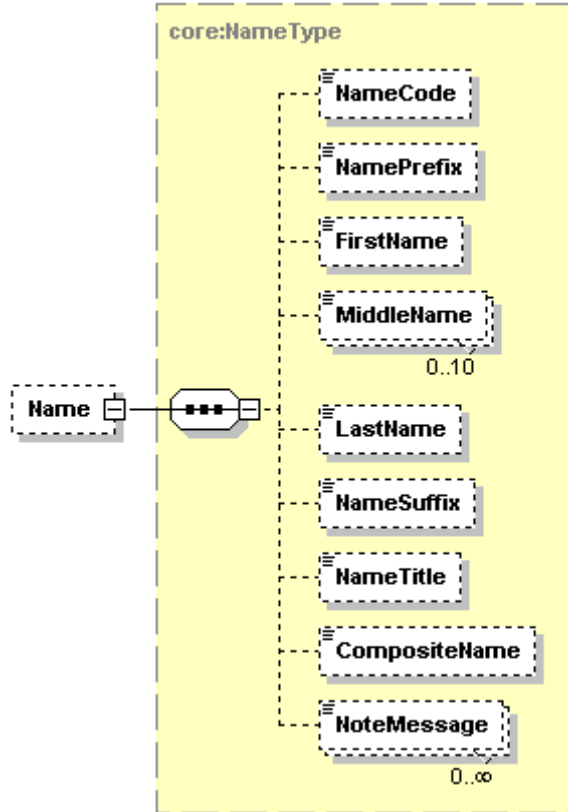
Tag Name	Schema Use	Description	Recommended Use	Format
Name	Optional	The name of the parent or guardian of the student	Recommended	minOcc 0 maxOcc 1
<b>Comment:</b> This complex data element will be expanded on page 48 later in this Guide.				
RelationshipCode	Optional	The relationship of the parent or guardian to the student	Recommended	minOcc 0 maxOcc 1 <b>For enumerated values,</b> See Appendix J

Code illustration:

```
<ParentGuardian>
  <Name>

  </Name>
  <RelationshipCode>Father</RelationshipCode>
</ParentGuardian>
```

### Student.Person.ParentGuardian.Name



Tag Name	Schema Use	Description	Recommended Use	Format
NameCode	Optional	A code that describes the type of name being sent for the parent or guardian	Recommended	minOcc 0 maxOcc 1 <b>Enumerations:</b> Casual Formal Former LawSchoolApplicationSource Legal MedicalSchoolApplicationSource Nickname Other
NamePrefix	Optional	An honorific, title or form of address that precedes the name.	Not Recommended	minOcc 0 maxOcc 1 minLength 1 maxLength 30
FirstName	Optional	The first name of the person, usually given at birth, baptism, or during another ceremony, or through legal change	Recommended	minOcc 0 maxOcc 1 minLength 1 maxLength 35
MiddleName	Optional Repeatable	A secondary Name of the person, usually given at birth, baptism, or during another naming ceremony or through legal change	Recommended	minOcc 0 maxOcc 10 minLength 1 maxLength 35

Tag Name	Schema Use	Description	Recommended Use	Format
LastName	Optional	The last name or surname by which a person is legally known	Recommended	minOcc 0 maxOcc 1 minLength 1 maxLength 35
NameSuffix	Optional	The expression of an individual's generation within a family.	Recommended	minOcc 0 maxOcc 1 <b>Enumerations:</b> JR SR I II III IV V VI VII VIII IX X
NameTitle	Optional	An honorific, title or credential that follows the name.	Not Recommended	minOcc 0 maxOcc 1 minLength 1 maxLength 30
CompositeName	Optional	The full name of the person in Last, First Middle order, comma after last name	Not Recommended	minOcc 0 maxOcc 1 minLength 1 maxLength 45
<b>Comment:</b> The use of the Composite Name, while it is allowed, is not recommended. It is felt that the storing of a person's name in schools' student information systems as individual components is becoming more common. And it should be easier for the sending school to break up a composite name into its individual components, than for the receiving school to do so.				
NoteMessage	Optional Repeatable	Additional information about the name of the parent or guardian	Not Recommended	minOcc 0 maxOcc ∞ minLength 1 max length 80
<b>Comment:</b> Sending of this information about the responsible parent or guardian may assist in identifying the student and also in contacting the student.				

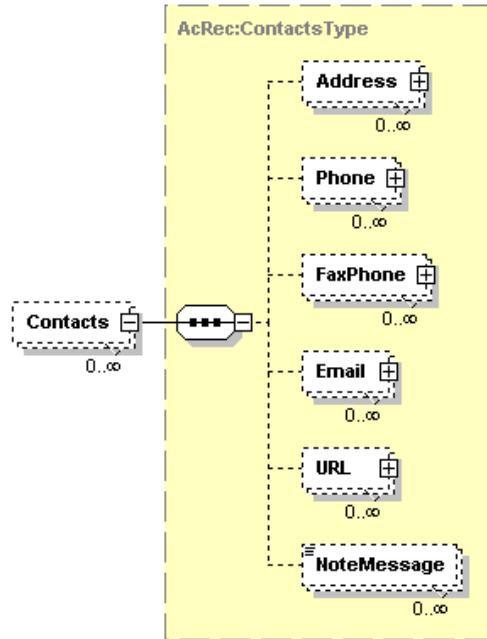
Code illustration:

```

<Name>
  <NameCode>Legal</NameCode>
  <NamePrefix>
  <FirstName>Test</FirstName>
  <MiddleName>Record</MiddleName>
  <MiddleName>Test</MiddleName>
  <LastName>Speede</LastName>
  <NameSuffix>IV</NameSuffix>
  <NameTitle/>
  <CompositeName/>
  <NoteMessage/>
</Name>

```

### Student.Person.Contacts



Tag Name	Schema Use	Description	Recommended Use	Format
Address	Optional Repeatable	This is a combined Address Group for a choice between Domestic or International	Recommended	minOcc 0 maxOcc ∞
<b>Comment:</b> This complex data element will be expanded on page 52 which follows in this Guide.				
Phone	Optional Repeatable	Phone number(s) for the student	Recommended	minOcc 0 maxOcc ∞
<b>Comment:</b> This complex data element will be expanded on page 55 which follows in this Guide.				
FaxPhone	Optional Repeatable	Fax phone number(s) for the student	Recommended	minOcc 0 maxOcc ∞
<b>Comment:</b> This complex data element will be expanded on page 57 which follows in this Guide.				
Email	Optional Repeatable	Email address(es) for the student	Recommended	minOcc 0 maxOcc ∞
<b>Comment:</b> This complex data element will be expanded on page 59 which follows in this Guide.				
URL	Optional Repeatable	Personal URL(s) on record for the student	Not Recommended	minOcc 0 maxOcc ∞
<b>Comment:</b> This complex data element will be expanded on page 60 which follows in this Guide.				
NoteMessage	Optional Repeatable	Additional information about the Contacts	Not Recommended	minOcc 0 maxOcc ∞ minLength 1 maxLength 80
<b>Comment:</b> The inclusion of the contact information about the student whose transcript is being sent can be helpful at the receiving institution for additional matching criteria. It can also be of use at the receiving school (if the student has not yet applied for admission there ) to create a skeletal admissions record if that is the procedure at the receiving school, or it may also be used in an attempt to contact the student to encourage the student to submit an application.				



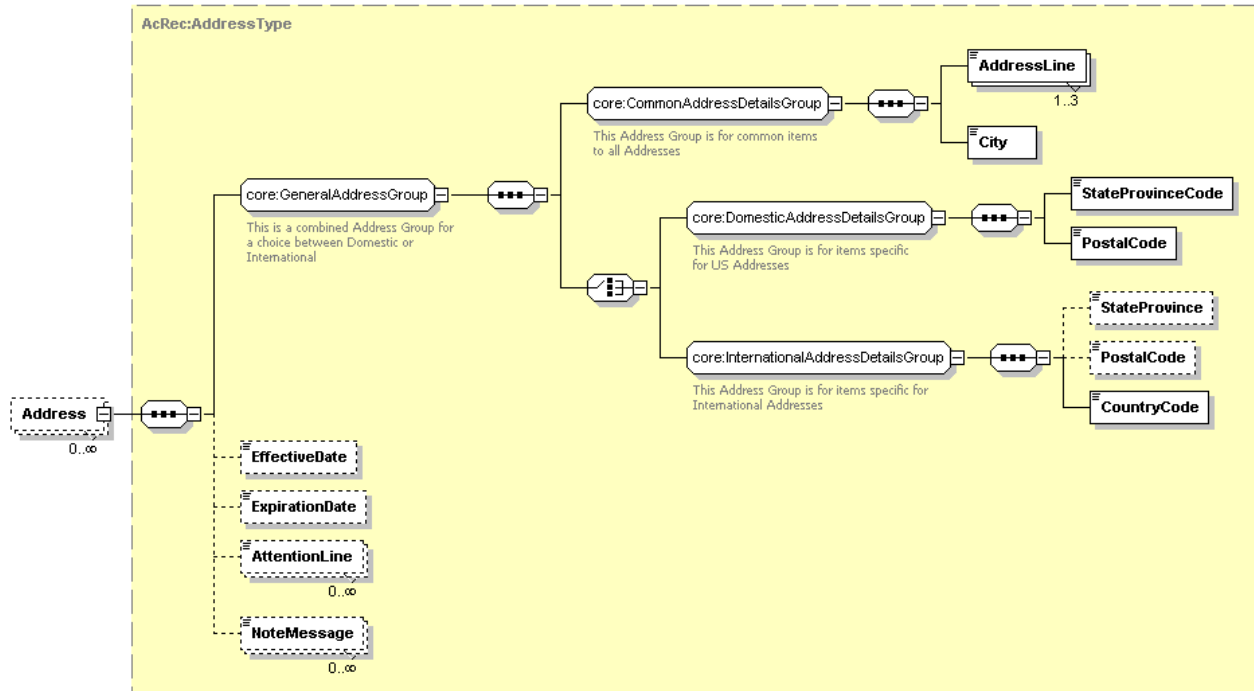
## Student.Person.Contacts (Continued)

Code illustration:

```
<Contacts>  
  <Address>  
  
    </Address>  
    <Phone>  
  
    </Phone>  
    <FaxPhone>  
  
    </FaxPhone>  
    <Email>  
  
    </Email>  
    <URL>  
  
    </URL>  
  <NoteMessage/>  
</Contacts>
```

## Student.Person.Contacts.Address

**Note:** Although the complex data element Address is an optional data element, if you choose to send the Address of the Student, then you must send AddressLine and City and also StateProvinceCode, and PostalCode OR CountryCode.



Tag Name	Schema Use	Description	Recommended Use	Format
<i>GeneralAddressGroup</i>	Required	This Address Group is for items common to all Addresses	Required	minOcc 1 maxOcc 1
<b>Comment:</b> [ <i>GeneralAddressGroup</i> ] does not appear in the instance document. It requires the use of <i>CommonAddressDetailsGroup</i> and the choice of one of either <i>DomesticAddressDetailsGroup</i> or <i>InternationalAddressDetailsGroup</i> . This group is required in the schema only if you choose to send the address of the contact.				
<i>CommonAddressDetailsGroup</i>	Required	This Address Group is for items common to all Addresses	Required	minOcc 1 maxOcc 1
<b>Comment:</b> [ <i>CommonAddressDetailsGroup</i> ] does not appear in the instance document. If the address of a contact is included in the transcript, then this must be sent. It is required and must be paired with one of either <i>DomesticAddressDetailsGroup</i> or <i>InternationalAddressDetailsGroup</i> .				
AddressLine	Required Repeatable	Local delivery information such as street, building number, PO box, or apartment portion of a postal address of a Contact at the Sending (Source) High School.	Required	minOcc 1 maxOcc 3 minLength 1 maxLength 40
City	Required	The city portion of the Address of a Contact at the Sending (Source) High School.	Required	minOcc 1 maxOcc 1 minLength 2 maxLength 30

Tag Name	Schema Use	Description	Recommended Use	Format
<i>DomesticAddressDetailsGroup</i>	Required choice	This Address Group is for items specific for US and Canadian Addresses	Required for domestic addresses	minOcc 1 maxOcc 1
<b>Comment:</b> [ <i>DomesticAddressDetailsGroup</i> ] and does not appear in the instance document. If the complex data element address has a United States or Canadian Postal Code and a US State or Canadian Province Code, then this should be the required choice.				
StateProvinceCode	Required	Code for US states, etc., and Canadian provinces.	Required	minOcc 1 maxOcc 1  <b>Enumerations:</b> See Appendix A
PostalCode	Required	The postal code portion of the Address.	Required	minOcc 1 maxOcc 1 minLength 1 maxLength 17
<i>InternationalAddressDetailsGroup</i>	Required choice	This Address Group is for items specific for International Addresses	Required for international addresses	minOcc 1 maxOcc 1
<b>Comment:</b> [ <i>InternationalAddressDetailsGroup</i> ] does not appear in the instance document. This choice is for addresses that do not have a US or Canadian postal code.				
StateProvince	Optional	The literal name of the state, province or territory of a postal address of the source of this document. Use for addresses outside US or Canada.	Recommended Refer to common postal practices of the source country	minOcc 0 maxOcc 1 minLength 2 maxLength 30
<b>Comment:</b> For an internet resource of states or other geographical subdivisions in countries other than the US and Canada, you might choose to refer to the website of the Universal Postal Union at <a href="http://www.upu.int">http://www.upu.int</a>				
PostalCode	Optional	The postal code portion of the Address.	Recommended Refer to common postal practices of the source country	minOcc 0 maxOcc 1 minLength 1 maxLength 17
<b>Comment:</b> For an internet resource of states or other geographical subdivisions in countries other than the US and Canada, you might choose to refer to the website of the Universal Postal Union at <a href="http://www.upu.int">http://www.upu.int</a>				
CountryCode	Required	Code indicating Country. Use ISO 3166-1 alpha-2 standard.	Required	minOcc 1 maxOcc 1  <b>Enumerations:</b> See Appendix B1 or B2
EffectiveDate	Optional	The date when the student's address will or did become effective.	Optional	minOcc 0 maxOcc 1 The format is xs:date or ccyymm-dd
ExpirationDate	Optional	The date when the student's address was or will no longer be valid	Optional	minOcc 0 maxOcc 1 The format is xs:date or ccyymm-dd
AttentionLine	Optional	The individual or office name within the postal address where inquiries should be directed.	Optional	minOcc 0 maxOcc ∞ minLength 1 maxLength 45
NoteMessage	Optional Repeatable	Additional information about the addresses of the student	Not recommended	minOcc 0 maxOcc ∞ minLength 1 maxLength 80

## Student.Person.Contacts.Address (Continued)

Code illustration 1 (Domestic Address):

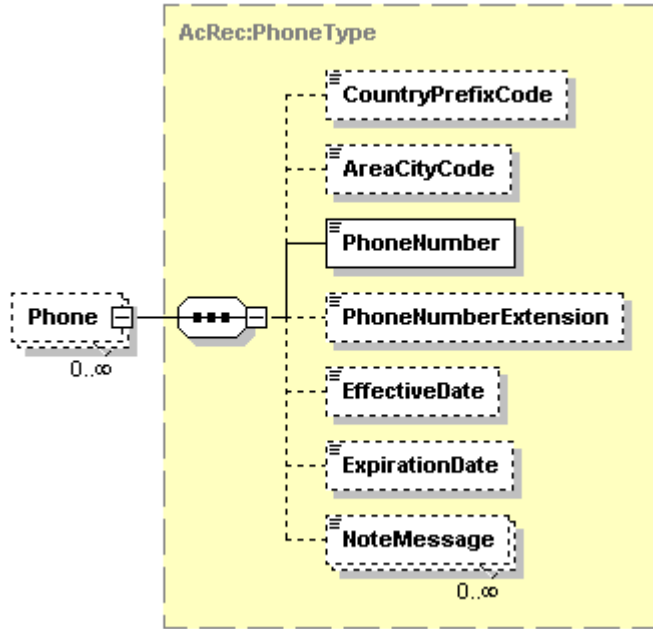
```
<Address>  
  <AddressLine>1715 W Cesar Chavez</AddressLine>  
  <City>Austin</City>  
  <StateProvinceCode>TX</StateProvinceCode>  
  <PostalCode>78703</PostalCode>  
  <EffectiveDate/>  
  <ExpirationDate>2010-06-23</ExpirationDate>  
  <AttentionLine/>  
  <NoteMessage />  
</Address>
```

Code illustration 2 (International Address):

```
<Address>  
  <AddressLine>Altova Corporation</AddressLine>  
  <AddressLine>Rudolfplatz 13a/9</AddressLine>  
  <City>Wien</City>  
  <StateProvince />  
  <PostalCode>A-1010</PostalCode>  
  <CountryCode>AT</CountryCode>  
  <EffectiveDate/>  
  <ExpirationDate/>  
  <AttentionLine/>  
</Address>
```

## Student.Person.Contacts.Phone

**Note:** Although the complex data element *Phone* is an optional data element, if you choose to send the *Phone* of the Student, then you must send the data element *PhoneNumber*.



Tag Name	Schema Use	Description	Recommended Use	Format
CountryPrefixCode	Optional	International dialing code.	Optional	minOcc 0 maxOcc 1 minLength 1 maxLength 3
AreaCityCode	Optional	Regional dialing code.	Recommended	minOcc 0 maxOcc 1 minLength 1 maxLength 5
<b>Comment:</b> For phone numbers in the United States and Canada, this is the normal three digit area code.				
PhoneNumber	Required	Telephone number.	Required	minOcc 1 maxOcc 1 minLength 1 maxLength 11
<b>Comment:</b> The phone number in the US and Canada is normally sent as a string of 7 numbers with no dashes or periods.				
PhoneNumberExtension	Optional	The extended telephone addressing information used in addition to phone number such as a PBX extension, a pager PIN, or FAX sub-address.	Optional	minOcc 0 maxOcc 1 minLength 1 maxLength 5
EffectiveDate	Optional	The date when the student's phone number becomes or became effective	Optional	minOcc 0 maxOcc 1 The format is xs:date or ccy-mm-dd
ExpirationDate	Optional	The date when the student's phone number was no longer valid or will no longer be valid	Optional	minOcc 0 maxOcc 1 The format is xs:date or ccy-mm-dd

Tag Name	Schema Use	Description	Recommended Use	Format
NoteMessage	Optional Repeatable	Additional information about the phone number	Not Recommended	minOcc 0 maxOcc ∞ minLength 1 maxLength 80

Code illustration:

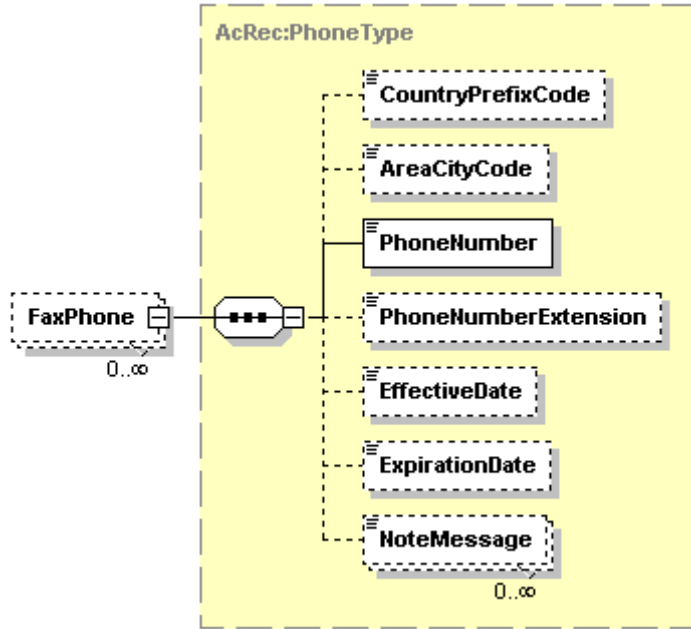
```

<Phone>
  <CountryPrefixCode />
  <AreaCityCode>512</AreaCityCode>
  <PhoneNumber>8888888</PhoneNumber>
  <PhoneNumberExtension />
  <EffectiveDate/>
  <ExpirationDate/>
  <NoteMessage />
</Phone>

```

## Student.Person.Contacts.FaxPhone

**Note:** Although the complex data element FaxPhone is an optional data element, if you choose to send the FaxPhone of the Student, then you must send the data element PhoneNumber.



Tag Name	Schema Use	Description	Recommended Use	Format
CountryPrefixCode	Optional	International dialing code.	Optional	minOcc 0 maxOcc 1 minLength 1 maxLength 3
AreaCityCode	Optional	Regional dialing code.	Recommended	minOcc 0 maxOcc 1 minLength 1 maxLength 5
<b>Comment:</b> For phone numbers in the United States and Canada, this is the normal three digit area code.				
PhoneNumber	Required	Telephone number.	Required	minOcc 1 maxOcc 1 minLength 1 maxLength 11
<b>Comment:</b> The phone number in the US and Canada is normally sent as a string of 7 numbers with no dashes or periods.				
PhoneNumberExtension	Optional	The extended telephone addressing information used in addition to phone number such as a PBX extension, a pager PIN, or FAX sub-address.	Optional	minOcc 0 maxOcc 1 minLength 1 maxLength 5
EffectiveDate	Optional	The date when the student's fax phone number becomes or became effective	Optional	minOcc 0 maxOcc 1 The format is xs:date or ccy-mm-dd
ExpirationDate	Optional	The date when the student's fax phone number was or will no longer be valid	Optional	minOcc 0 maxOcc 1 The format is xs:date or ccy-mm-dd

Tag Name	Schema Use	Description	Recommended Use	Format
NoteMessage	Optional Repeatable	Additional information about the fax phone number	Not Recommended	minOcc 0 maxOcc ∞ minLength 1 maxLength 80

Code illustration:

```

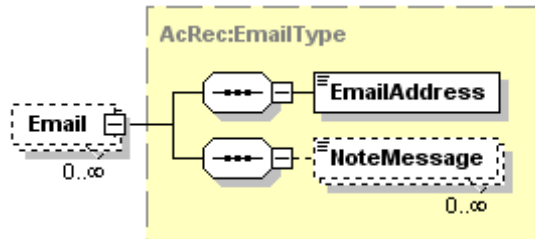
<FaxPhone>
  <CountryPrefixCode />
  <AreaCityCode>512</AreaCityCode>
  <PhoneNumber>8888888</PhoneNumber>
  <PhoneNumberExtension />
  <EffectiveDate/>
  <ExpirationDate/>
  <NoteMessage />
</FaxPhone>

```



## Student.Person.Contacts.Email

**Note:** Although the complex data element *Email* is an optional data element, if you choose to send the *Email* of the Student, then you must send the data element *EmailAddress*.



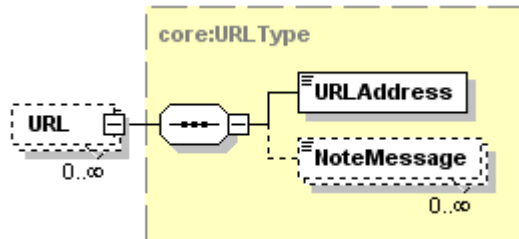
Tag Name	Schema Use	Description	Recommended Use	Format
EmailAddress	Required	The numbers, letters, and symbols used to identify an electronic mail (Email) user within a network.	Required	minOcc 1 maxOcc 1 minLength 1 maxLength 128
NoteMessage	Optional Repeatable	Additional information about the email address	Not recommended	minOcc 0 maxOcc ∞ minLength 1 maxLength 80

Code illustration:

```
<Email>
  <EmailAddress>stewartj@aol.com</EmailAddress>
  <NoteMessage/>
</Email>
```

## Student.Person.Contacts.URL

**Note:** Although the complex data element URL is an optional data element, if you choose to send the URL of the Student, then you must send the data element URLAddress.



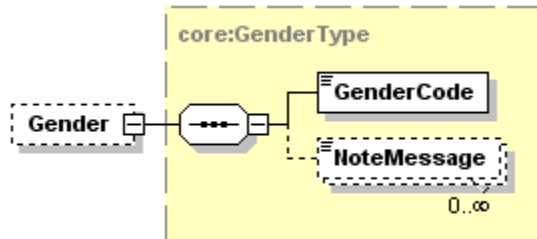
Tag Name	Schema Use	Description	Recommended Use	Format
URLAddress	Required	The Uniform Resource Locator (URL) address associated with a student	Required	minOcc 1 maxOcc 1 minLength 0 maxLength 512
NoteMessage	Optional Repeatable	Additional information about the URL	Not recommended	minOcc 0 maxOcc ∞ minLength 1 maxLength 80

Code illustration:

```
<URL>
  <URLAddress>www.John.Appleseed.com</URLAddress>
  <NoteMessage />
</URL>
```

## Student.Person.Gender

**Note:** Although the complex data element Gender is an optional data element, if you choose to send the Gender of the Student, then you must send the data element GenderCode.



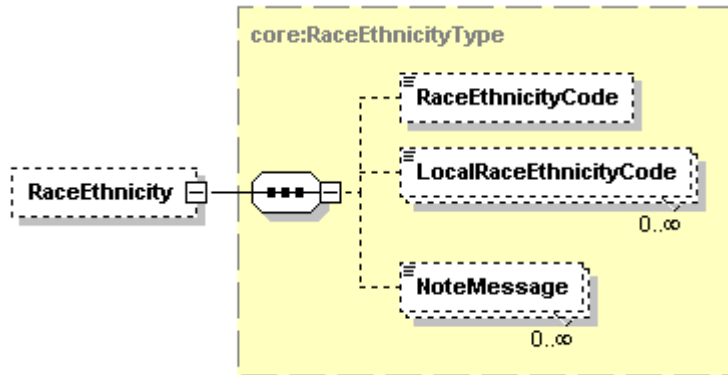
Tag Name	Schema Use	Description	Recommended Use	Format
GenderCode	Required	The gender of the Student	Required	minOcc 1 maxOcc 1 <b>Enumerations:</b> Female Male Unreported
NoteMessage	Optional Repeatable	Additional information about Gender	Not Recommended	minOcc 0 maxOcc ∞ minLength 1 maxLength 80

Code illustration:

```
<Gender>
  <GenderCode>Male</GenderCode>
  <NoteMessage />
</Gender>
```

## Student.Person.RaceEthnicity

**Note:** This is an optional choice complex data element. This choice is based on the **earlier** race and ethnicity structure mandated by the US Department of Education’s National Center for Education Statistics up to the year 2008. For the latest structure see the next page.



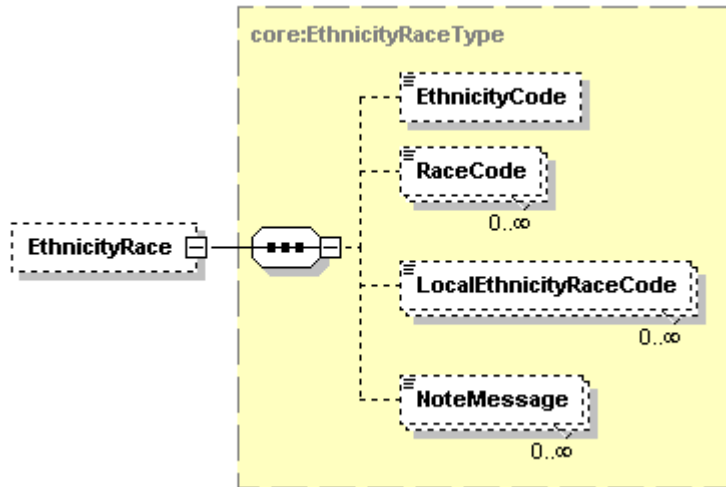
Tag Name	Schema Use	Description	Recommended Use	Format
RaceEthnicityCode	Optional	The student’s race and ethnicity code as recorded in the sending school’s records.	Optional	minOcc 0 maxOcc 1 <b>Enumerations:</b> AmericanIndianAlaskaNative Asian BlackNonHispanic Hispanic WhiteNonHispanic NativeHawaiianPacificIslander
<b>Comment:</b> Including the Race Ethnicity code may be helpful to the receiving school or agency to identify the student. These are codes recognized by the US Department of Education’s National Center for Education Statistics.				
LocalRaceEthnicityCode	Optional Repeatable	The student’s race and ethnicity code as defined by the sending school’s state, province or region.	Optional	minOcc 0 maxOcc ∞ minLength 1 maxLength 30
NoteMessage	Optional Repeatable	Additional information about the student’s race or ethnicity	Not Recommended	minOcc 0 maxOcc ∞ minLength 1 maxLength 80

Code illustration:

```
<RaceEthnicity>
  <RaceEthnicityCode>Hispanic</RaceEthnicityCode>
  <LocalRaceEthnicityCode>Black</LocalRaceEthnicityCode>
  <LocalRaceEthnicityCode>Phillipino</LocalRaceEthnicityCode>
  <NoteMessage />
</RaceEthnicity>
```

## Student.Person.EthnicityRace

**Note:** This is an optional choice complex data element. This choice is based on the **latest** race and ethnicity structure mandated by the US Department of Education’s National Center for Education Statistics in the year 2008. For the previous structure, see the preceding page.



Tag Name	Schema Use	Description	Recommended Use	Format
EthnicityCode	Optional	The student's ethnicity code as recorded in the sending school's records.	Optional	minOcc 0 maxOcc 1 <b>Enumerations:</b> Hispanic NonHispanic
<b>Comment:</b> Including the ethnicity code may be helpful to the receiving school or agency to identify the student. These are the latest codes recognized by the US Department of Education's National Center for Education Statistics.				
RaceCode	Optional Repeatable	The student's race code(s) as recorded in the sending school's records.	Optional	minOcc 0 maxOcc ∞ <b>Enumerations:</b> AmericanIndianAlaskaNative Asian BlackAfricanAmerican NativeHawaiianPacificIslander White
<b>Comment:</b> Including the race code may be helpful to the receiving school or agency to identify the student. These are codes recognized by the US Department of Education's National Center for Education Statistics.				
LocalRaceEthnicityCode	Optional Repeatable	The student's race and ethnicity code as defined by the sending school's state, province or region.	Optional	minOcc 0 maxOcc ∞ minLength 1 maxLength 30
NoteMessage	Optional Repeatable	Additional information about the student's race or ethnicity	Not Recommended	minOcc 0 maxOcc ∞ minLength 1 maxLength 80

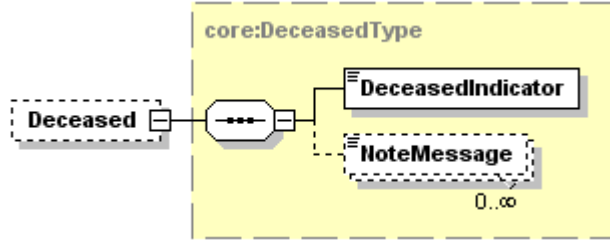
## Student.Person.EthnicityRace (Continued)

Code illustration:

```
<EthnicityRace>  
  <EthnicityCode>Hispanic</EthnicityCode>  
  <RaceCode>BlackAfricanAmerican</RaceCode>  
  <RaceCode>White</RaceCode>  
  <LocalRaceEthnicityCode>Seminole Indian</LocalRaceEthnicityCode>  
  <NoteMessage />  
</EthnicityRace>
```

## Student.Person.Deceased

**Note:** *Deceased is an optional complex data element, but if it is included, then the Deceased Indicator must also be included.*

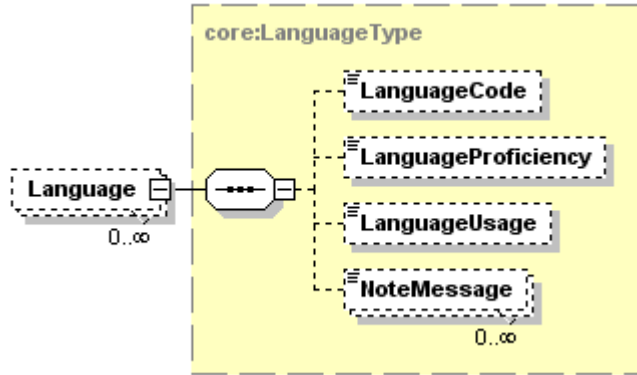


Tag Name	Schema Use	Description	Recommended Use	Format
DeceasedIndicator	Required	Indicates the person is deceased.	Required	minOcc 1 maxOcc 1 true/false
<b>Comment:</b> A value of 'true' indicates the person is reported as deceased in the sending high school's records. If the student is not shown to be deceased, the complex data element "deceased" would <b>not</b> be sent. This indicator would only be sent if the complex data element Deceased is included.				
NoteMessage	Optional Repeatable	Additional information about the deceased student	Not Recommended	minOcc 0 maxOcc ∞ minLength 1 maxLength 80
<b>Comment:</b> If it is known by the sending institution that the student is deceased, then the inclusion of this indicator can be helpful in preventing the fraudulent use of the transcript by another applicant at the recipient school.				

Code illustration:

```
<Deceased>
  <DeceasedIndicator>true</DeceasedIndicator>
  <NoteMessage>This student died during his senior year in high school. </NoteMessage>
</Deceased>
```

### Student.Person.Language



Tag Name	Schema Use	Description	Recommended Use	Format
LanguageCode	Optional	Code indicating the language being used, using ISO 639-2 code (Alpha-3) set. These codes are available at <a href="http://www.loc.gov/standards/iso639-2/">http://www.loc.gov/standards/iso639-2/</a>	Optional	minOcc 0 maxOcc 1  See codes in Appendix C1 or C2
LanguageProficiency	Optional	Adeptness in comprehending and using the language	Optional	minOcc 0 maxOcc 1  <b>Enumerations:</b> EnglishOnly FullyEnglishProficient LimitedEnglishProficiency NonEnglishSpeaking RedesignatedFluentEnglishProficient Excellent Good Fair Poor Unacceptable Unknown
LanguageUsage	Optional	Indication of person's use of the language	Optional	minOcc 0 maxOcc 1  <b>Enumerations:</b> FirstSpokenlanguage Native Reading Speaking SpokenAtHome Writing WrittenCommunication
NoteMessage	Optional Repeatable	Additional information about the language proficiency	Not Recommended	minOcc 0 maxOcc ∞ minLength 1 maxLength 80

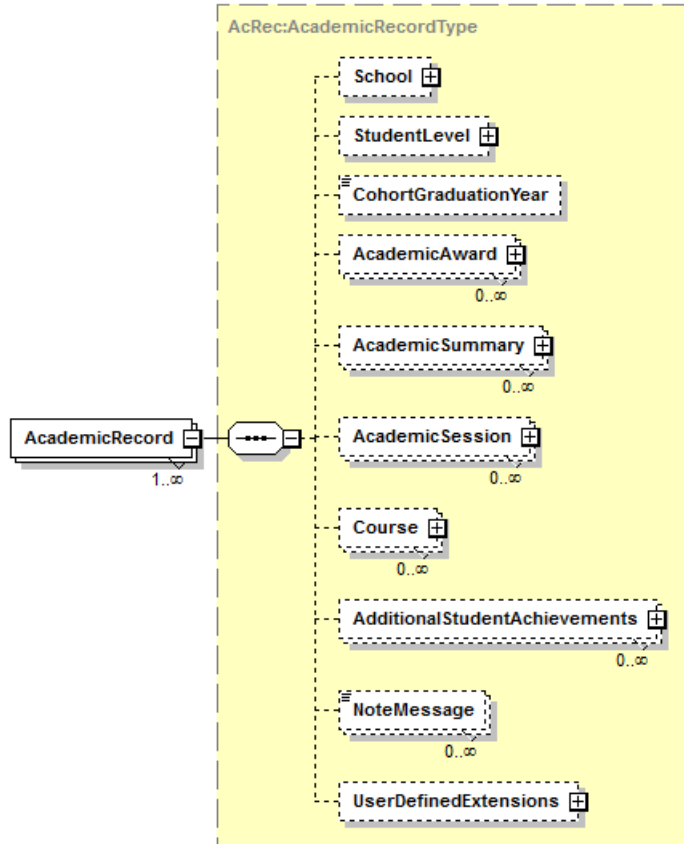
**Comment:** This is the appropriate place in the Schema to indicate that a student is proficient in a language other than English.

Code illustration:

```
<Language>
  <LanguageCode>RUS</LanguageCode>
  <LanguageProficiency>Excellent</LanguageProficiency>
  <LanguageUsage>Speaking</LanguageUsage>
  <NoteMessage/>
</Language>
```



## Student.AcademicRecord



Tag Name	Schema Use	Description	Recommended Use	Format
School	Optional	Override school	Conditional	minOcc 0 maxOcc 1
<p><b>Comment:</b> Recommended when the school for this repetition of AcademicRecord differs from the Sending institution. Not Recommended when this AcademicRecord belongs to the Sending institution. This complex data element will be expanded on page 69 which follows in this Guide.</p>				
StudentLevel	Optional	Used to indicate the grade level of the student at the time the transcript is being sent, or the last grade level of the student.	Recommended	minOcc 0 maxOcc 1
<p><b>Comment:</b> This complex data element will be expanded on page 85 which follows in this Guide.</p>				
CohortGraduationYear	Optional	The school year in which the student entered the baseline group used for computing completion rates, e.g., high school year and program.	Recommended	minOcc 0 maxOcc 1 xs:year
AcademicAward	Optional Repeatable	Academic awards, degrees, diplomas, certifications, etc.	Recommended	minOcc 0 maxOcc ∞
<p><b>Comment:</b> AcademicAward in this position is not tied to an AcademicSession. Some institutions may instead wish to indicate AcademicAward in the AcademicSession in which it was earned. However, the Workgroup that developed this high school transcript schema recommends that the award of the high school diploma be included at this point in the schema. This complex data element will be expanded on page 86 which follows in this Guide.</p>				

Tag Name	Schema Use	Description	Recommended Use	Format
AcademicSummary	Optional Repeatable	Used to send summary totals for all work taken at a certain academic level	Recommended	minOcc 0 maxOcc ∞
<b>Comment:</b> <i>AcademicSummary in this position is not tied to an AcademicSession. Some institutions may instead (or also) wish to include AcademicSummary in the AcademicSession in which it was earned. It is also recommended by the Workgroup that developed the PESC XML High School Transcript Schema that this is also the most appropriate place to include the student's rank in class if this information is included on the high school transcript. This complex data element will be expanded on page 112 which follows.</i>				
AcademicSession	Optional Repeatable	Course, award and summary information related to a specific time period. Typically arranged into successive semesters or school years and is the preferred method for conveying academic coursework.	Recommended	minOcc 0 maxOcc ∞
<b>Comment:</b> <i>This complex data element will be expanded on page 128 which follows in this Guide.</i>				
Course	Optional Repeatable	Academic coursework not related to a specific academic session.	Optional	minOcc 0 maxOcc ∞
<b>Comment:</b> <i>Course in this position is not tied to an AcademicSession. It is appropriate here when session information is not known or when the course is not related to a specific academic session. It is recommended to include coursework within academic session whenever possible. This complex data element will be expanded on page 232 which follows in this Guide.</i>				
AdditionalStudentAchievements	Optional Repeatable	Achievements not tied to a specific course, session or award.	Optional	minOcc 0 maxOcc ∞
<b>Comment:</b> <i>This complex data element will be expanded on page 270 which follows in this Guide.</i>				
NoteMessage	Optional Repeatable	Additional information about the student's academic record.	Not Recommended	minOcc 0 maxOcc ∞ minLength 1 maxLength 80
UserDefinedExtensions	Optional	Additional structured information. Requires mutually defined XML schema.	Optional	minOcc 0 maxOcc 1

**Code illustration:**

```

<AcademicRecord>
  <School>

  </School>
  <StudentLevel>

  </StudentLevel>
  <CohortGraduationYear>2011</CohortGraduationYear>
  <AcademicAward>

  </AcademicAward>
  <AcademicSummary>

  </AcademicSummary>
  <AcademicSession>

  </AcademicSession>
  <Course>

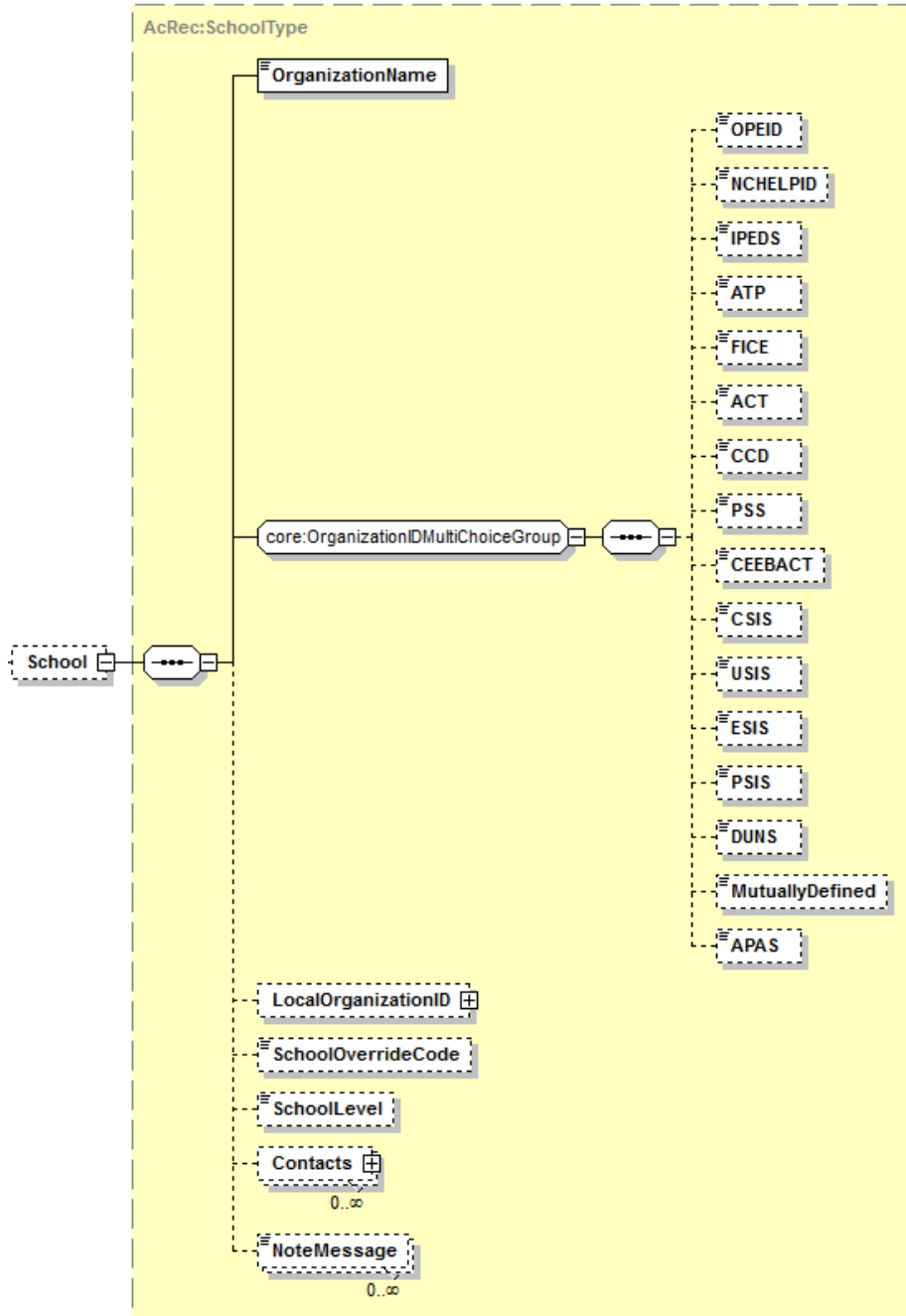
  </Course>
  <AdditionalStudentAchievements>

  </AdditionalStudentAchievements>
  <NoteMessage />
  <UserDefinedExtensions />
</AcademicRecord>

```

## Student.AcademicRecord.School

**Note:** *School at this position in the Schema is an optional complex data element, but if it is included, then the Organization Name (Name of this Override School) must be included. If this is the same as the school in TransmissionData.Source, then this section would not be included.*



### Student.AcademicRecord.School (Continued)

Tag Name	Schema Use	Description	Recommended Use	Format
OrganizationName	Required	Name of Override School.	Required	minOcc 1 maxOcc 1 minLength 1 maxLength 60
<b>Comment:</b> This is the name of the school where the student earned this academic record, if it is different from the school creating the student's record. If this school is the same as the school creating the student's record, then this school will have been identified as the Source school in the TransmissionData complex data element and this entire portion of data is not needed and should not be sent.				
[OrganizationIDMultiChoiceGroup]	Optional	Allowable Organization IDs - Exclusive choice	Strongly Recommended	minOcc 0 maxOcc 1
<b>Comment:</b> This is an optional choice which means that it is not absolutely necessary to send any one of the following institutional codes, but you may choose to send one or more than one. If more than one code is included in the instance document, then they must be included in the same order in which they appear in the schema				
OPEID	Optional choice	The unique identifier assigned by the Office of Postsecondary Education for each data exchange partner.	Recommended choice	minOcc 0 maxOcc 1 minLength 3 maxLength 8
<b>Comment:</b> This is an acceptable choice for an override school for the high school transcript if the courses taken were taken at a postsecondary institution.				
NHELPID	Optional choice	The unique identifier assigned by National Council on Higher Education Loan Programs for each data exchange partner.	Not Recommended	minOcc 0 maxOcc 1 minLength 3 maxLength 8
<b>Comment:</b> This is not an acceptable choice for an override school for the high school transcript.				
IPEDS	Optional choice	The unique identifier assigned by the National Center for Education Statistics for the Integrated Postsecondary Education Data System for each postsecondary data exchange partner.	Recommended choice	minOcc 0 maxOcc 1 minLength 6 maxLength 6
<b>Comment:</b> This is an acceptable choice for an override school for the high school transcript if the courses taken were taken at a postsecondary institution.				
ATP	Optional choice	The unique identifier assigned for the Admissions Testing Program by the College Board for each postsecondary data exchange partner.	Recommended choice	minOcc 0 maxOcc 1 minLength 6 maxLength 6
<b>Comment:</b> This is an acceptable choice for an override school for the high school transcript if the courses taken were taken at a postsecondary institution.				
FICE	Optional choice	The unique identifier assigned for the Federal Interagency Committee on Education by the US Department of Education's National Center for Education Statistics for each postsecondary data exchange partner	Recommended choice	minOcc 0 maxOcc 1 minLength 6 maxLength 6
<b>Comment:</b> This is an acceptable choice for an override school for the high school transcript if the courses taken were taken at a postsecondary institution. Please note that this code set has not been updated by NCES or any other agency since the end of the last century, so many new postsecondary schools may have been assigned codes by schools that are duplicates of codes for other schools.				

Tag Name	Schema Use	Description	Recommended Use	Format
ACT	Optional choice	The unique identifier assigned by the American College Testing or ACT for each postsecondary data exchange partner. See www.act.org.	Recommended choice	minOcc 0 maxOcc 1 minLength 4 maxLength 4
<b>Comment:</b> This is an acceptable choice for an override school for the high school transcript if the courses taken were taken at a postsecondary institution.				
CCD	Optional choice	The unique identifier assigned by the US Department of Education's National Center for Education Statistics as the Common Core of Data for each K12 data exchange partner.	Recommended choice	minOcc 0 maxOcc 1 minLength 12 maxLength 12
PSS	Optional choice	The unique identifier assigned by the US Department of Education's National Center for Education Statistics for private K-12 schools in the US.	Recommended choice	minOcc 0 maxOcc 1 minLength 8 maxLength 8
CEEBACT	Optional choice	The unique identifier assigned by the College Entrance Examining Board and ACT for each data exchange partner.	Recommended choice	minOcc 0 maxOcc 1 minLength 6 maxLength 6
CSIS	Optional choice	The unique identifier assigned by the Statistics Canada Canadian College Student Information System for each data exchange partner	Not Recommended	minOcc 0 maxOcc 1 minLength 6 maxLength 6
<b>Comment:</b> This code set has been phased out. It was previously used to identify colleges in Canada.				
USIS	Optional choice	The unique identifier assigned by the Statistics Canada University Student Information System for each data exchange partner	Not Recommended	minOcc 0 maxOcc 1 minLength 6 maxLength 6
<b>Comment:</b> This code set has been phased out. It was previously used to identify universities in Canada.				
ESIS	Optional choice	The unique identifier assigned by the Statistics Canada Enhanced Student Information System for each data exchange partner.	Not Recommended	minOcc 0 maxLength 1 minLength 8 maxLength 8
<b>Comment:</b> This code set is being phased out. It was previously used to identify colleges and universities in Canada.				
PSIS	Optional choice	The unique identifier assigned by the Statistics Canada Postsecondary Student Information System for each data exchange partner.	Recommended choice	minOcc 0 maxLength 1 minLength 8 maxLength 8
<b>Comment:</b> This code set is the latest code set by Statistics Canada to identify colleges and universities in Canada. It is not an appropriate choice to identify secondary schools, but it a choice if the courses were taken at a postsecondary school in Canada.				
DUNS	Optional choice	Data Universal Numbering System (DUNS), unique nine character company identification number issued by Dun and Bradstreet Corporation.	Not Recommended	minOcc 0 maxOcc 1 minLength 9 maxLength 9

Tag Name	Schema Use	Description	Recommended Use	Format
MutuallyDefined	Optional choice	A unique identifier that may be used by a previously agreed upon set of users to identify schools which have no code in any of the other code sets.	Optional	minOcc 0 maxLength 1 minLength 1 maxLength 60
APAS	Optional choice	Identification codes used by the Alberta Post-Secondary Application System.	Optional choice	minOcc 0 maxOcc 1 minLength 2 maxLength 12
<b>Comment:</b> This is an appropriate choice for institutions in Canada.				
LocalOrganizationID	Optional	A code set typically used by a state, province or region to further identify the school whose record is being sent	Optional	minOcc 0 maxOcc 1
<b>Comment:</b> This complex data element will be expanded on page 73 which follows in this Guide.				
SchoolOverrideCode	Optional	The source of the academic credit if not awarded by the home or parent institution.  Institutional – Institutional Agreement Multicampus – Multiple Campus Course Offering Transfer – Transfer Credit StudyAbroad – Study Abroad Coop – Cooperative Program Reciprocal – Reciprocal Exchange Internship – Internship	Recommended	minOcc 0 maxOcc 1  <b>Enumerations:</b> Institutional Multicampus Transfer StudyAbroad Coop Reciprocal Internship
SchoolLevel	Optional	Indicates level of Override School	Recommended	minOcc 0 maxOcc 1  <b>Enumerations:</b> Elementary HighSchool JuniorHigh Middle Other Postsecondary Secondary
Contacts	Optional Repeatable	Contact info at Override School	Optional	minOcc 0 maxOcc ∞
<b>Comment:</b> This complex data element will be expanded on page 74 which follows in this Guide.				
NoteMessage	Optional Repeatable	Additional information about the Override School	Not Recommended	minOcc 0 maxOcc ∞ minLength 1 maxLength 80
<b>Comment:</b> This is not the recommended place in the schema to include information about the school that is sending the student transcript. The recommended place in the schema for that information is under <i>TransmissionData.Source</i> . This is the place to send information about an override school. A typical use would be to indicate the school here that offered courses that the student transferred in to the sending school.				

Code illustration:

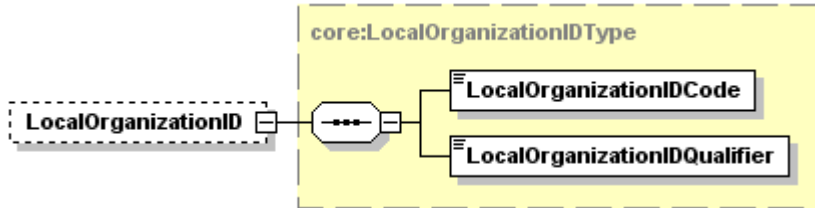
```
<School>
  <OrganizationName>New Trier Township High School</OrganizationName>
  <CEEBACT>144430</CEEBACT>
  <CCD>123456789012</CCD>
  <LocalOrganizationID>

  </LocalOrganizationID>
  <SchoolOverrideCode>Reciprocal</SchoolOverrideCode>
  <SchoolLevel>Secondary</SchoolLevel>
```

```
<Contacts>  
  </Contacts>  
  <NoteMessage />  
</School>
```

## Student.AcademicRecord.School.LocalOrganizationID

**Note:** Although LocalOrganizationID is an optional complex data element, if it is included, then both the LocalOrganizationIDCode and the LocalOrganizationIDQualifier must be included.



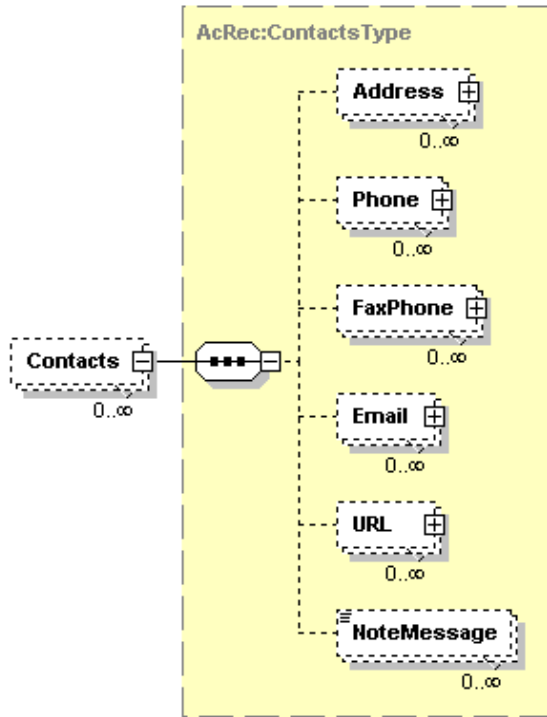
Tag Name	Schema Use	Description	Recommended Use	Format
LocalOrganizationIDCode	Required	The code assigned for the school by the state, province or other mutually defined agency specified in the Local Organization ID Qualifier that follows.	Required	minOcc 1 maxOcc 1 minLength 1 maxLength 35
<b>Comment:</b> This is a required data element only if the Local Organization ID data element is sent. This is typically the administrative school code assigned by a state or province to identify the override school in that state.				
LocalOrganizationIDQualifier	Required	This is the state, province or other mutually defined agency that assigned the Local Organization ID Code above.	Required	minOcc 1 maxOcc 1  <b>Enumerations:</b> See Appendix A
<b>Comment:</b> This is a required data element only if the Local Organization ID data element is sent. This is typically the state or province that assigned the code to identify the override school in that state.				

Code illustration:

```
<LocalOrganizationID>
  <LocalOrganizationIDCode>12345678</LocalOrganizationIDCode>
  <LocalOrganizationIDQualifier>IL</LocalOrganizationIDQualifier>
</LocalOrganizationID>
```



### Student.AcademicRecord.School.Contacts



Tag Name	Schema Use	Description	Recommended Use	Format
Address	Optional Repeatable	Address of the Override School	Recommended	minOcc 0 maxOcc ∞
<b>Comment:</b> This complex data element will be expanded on page 76 which follows. It is recommended if the address is known and is included in the school's data base.				
Phone	Optional Repeatable	Phone Number of the Override School	Optional	minOcc 0 maxOcc ∞
<b>Comment:</b> This complex data element will be expanded on page 79 which follows.				
FaxPhone	Optional Repeatable	Fax Phone Number of the Override School	Optional	minOcc 0 maxOcc ∞
<b>Comment:</b> This complex data element will be expanded on page 81 which follows.				
Email	Optional Repeatable	Email Address of the Override School	Optional	minOcc 0 maxOcc ∞
<b>Comment:</b> This complex data element will be expanded on page 83 which follows.				
URL	Optional Repeatable	Universal Resource Locator of the Override School	Optional	minOcc 0 maxOcc ∞
<b>Comment:</b> This complex data element will be expanded on page 84 which follows.				
NoteMessage	Optional Repeatable	Additional information about the contacts at the Override School	Not Recommended	minOcc 0 maxOcc ∞ minLength 1 maxLength 80

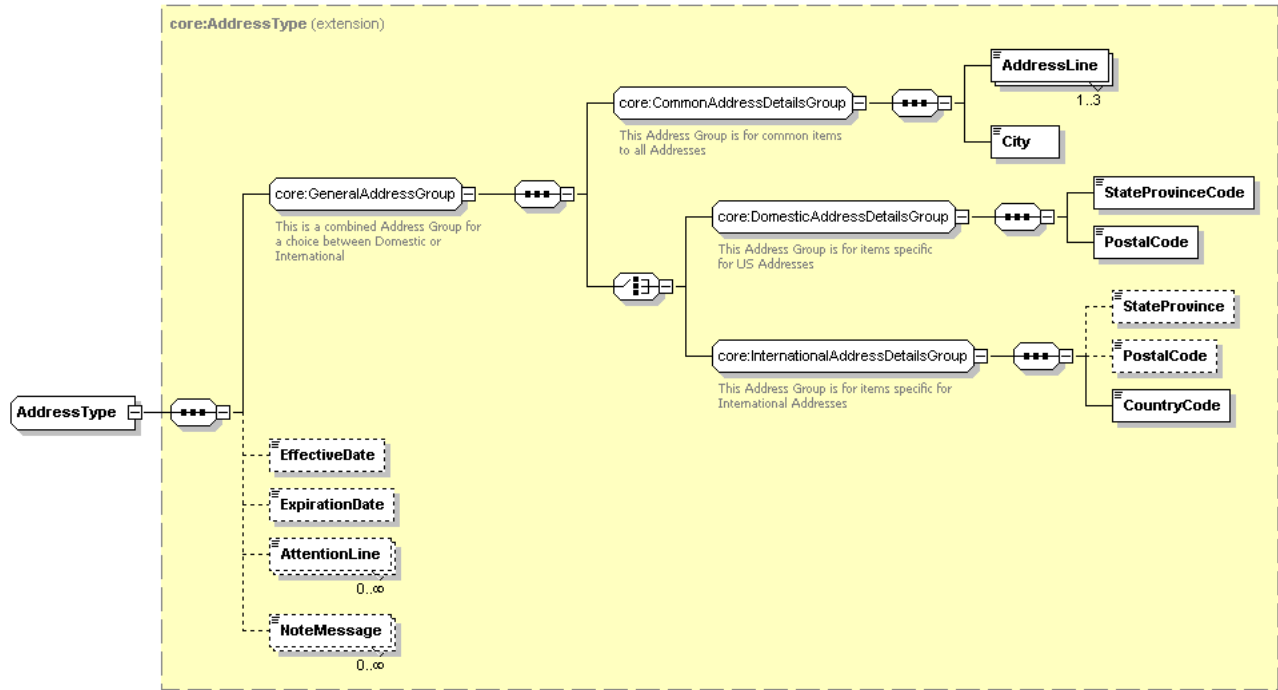
## Student.AcademicRecord.School.Contacts (Continued)

Code illustration:

```
<Contacts>  
  <Address>  
  
    </Address>  
    <Phone>  
  
    </Phone>  
    <FaxPhone>  
  
    </FaxPhone>  
    <Email>  
  
    </Email>  
    <URL>  
  
    </URL>  
  <NoteMessage />  
</Contacts>
```

## Student.AcademicRecord.School.Contacts.Address

**Note:** Although the complex data element Address is an optional data element, if you choose to send the Address of an Override School for the Academic Record, then you must send AddressLine and City and also StateProvinceCode, and PostalCode OR CountryCode.



Tag Name	Schema Use	Description	Recommended Use	Format
<i>GeneralAddressGroup</i>	Required	This Address Group is for items common to all Addresses	Required	minOcc 1 maxOcc 1
<b>Comment:</b> [ <i>GeneralAddressGroup</i> ] does not appear in the instance document. It requires the use of <i>CommonAddressDetailsGroup</i> and the choice of one of either <i>DomesticAddressDetailsGroup</i> or <i>InternationalAddressDetailsGroup</i> . This group is required in the schema only if you choose to send the address of the contact.				
<i>CommonAddressDetailsGroup</i>	Required	This Address Group is for items common to all Addresses	Required	minOcc 1 maxOcc 1
<b>Comment:</b> [ <i>CommonAddressDetailsGroup</i> ] does not appear in the instance document. If the address of a contact is included in the transcript, then this must be sent. It is required and must be paired with one of either <i>DomesticAddressDetailsGroup</i> or <i>InternationalAddressDetailsGroup</i> .				
AddressLine	Required Repeatable	Local delivery information such as street, building number, PO box, or apartment portion of a postal address of a Contact at the override school.	Required	minOcc 1 maxOcc 3 minLength 1 maxLength 40
City	Required	The city portion of the Address of a Contact at the override school	Required	minOcc 1 maxOcc 1 minLength 2 maxLength 30

Tag Name	Schema Use	Description	Recommended Use	Format
<i>DomesticAddressDetailsGroup</i>	Required choice	This Address Group is for items specific for US and Canadian Addresses	Required for domestic addresses	minOcc 1 maxOcc 1
<b>Comment:</b> [DomesticAddressDetailsGroup] does not appear in the instance document. If the complex data element address has a United States or Canadian Postal Code and a US State or Canadian Province Code, then this should be the required choice.				
StateProvinceCode	Required	Code for US states, etc., and Canadian provinces.	Required	minOcc 1 maxOcc 1  <b>Enumerations:</b> See Appendix A
PostalCode	Required	The postal code portion of the Address.	Required	minOcc 1 maxOcc 1 minLength 1 maxLength 17
<i>InternationalAddressDetailsGroup</i>	Required choice	This Address Group is for items specific for International Addresses	Required for international addresses	minOcc 1 maxOcc 1
<b>Comment:</b> [InternationalAddressDetailsGroup] does not appear in the instance document. This choice is for addresses that do not have a US or Canadian postal code.				
StateProvince	Optional	The literal name of the state, province or territory of a postal address of the source of this document. Use for addresses outside US or Canada.	Recommended Refer to common postal practices of the source country	minOcc 0 maxOcc 1 minLength 2 maxLength 30
<b>Comment:</b> For an internet resource of states or other geographical subdivisions in countries other than the US and Canada, you might choose to refer to the website of the Universal Postal Union at <a href="http://www.upu.int">http://www.upu.int</a>				
PostalCode	Optional	The postal code portion of the Address	Recommended Refer to common postal practices of the source country	minOcc 0 maxOcc 1 minLength 1 maxLength 17
<b>Comment:</b> For an internet resource of states or other geographical subdivisions in countries other than the US and Canada, you might choose to refer to the website of the Universal Postal Union at <a href="http://www.upu.int">http://www.upu.int</a>				
CountryCode	Required	Code indicating Country. Use ISO 3166-1 alpha-2 standard.	Required	minOcc 1 maxOcc 1  <b>Enumerations:</b> See Appendix B1 or B2
EffectiveDate	Optional	The date when the address becomes or became effective for the override school.	Optional	minOcc 0 maxOcc 1 Format is xs:date or ccyy-mm-dd
ExpirationDate	Optional	The date when the address of the override school becomes no longer valid	Optional	minOcc 0 maxOcc 1 Format is xs:date or ccyy-mm-dd
AttentionLine	Optional Repeatable	This data element may be used to send specific information about the address.	Optional	minOcc 0 maxOcc ∞ minLength 1 maxLength 45
<b>Comment:</b> This might be used to indicate where questions about the record should be sent. For example, <i>Principal, Guidance Counselor, Headmaster, etc.</i>				
NoteMessage	Optional Repeatable	Additional information about the addresses of the contacts at the override school	Not recommended	minOcc 0 maxOcc ∞ minLength 1 maxLength 80

## Student.AcademicRecord.School.Contacts.Address (Continued)

Code illustration 1 (Domestic Address):

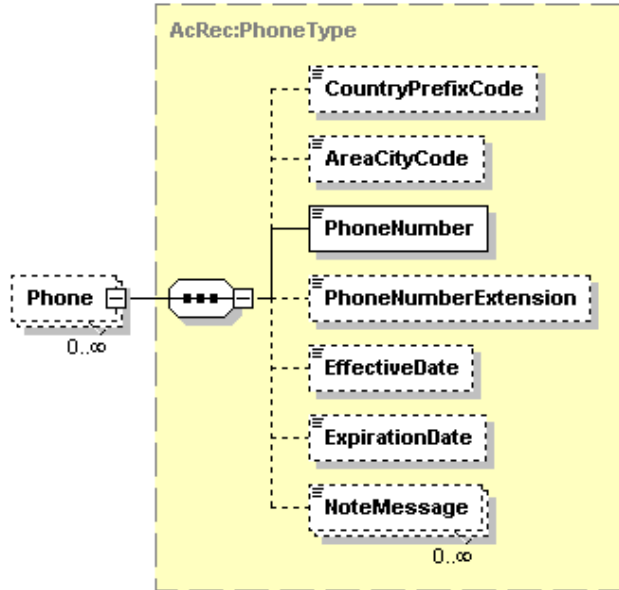
```
<Address>  
  <AddressLine>1715 W Cesar Chavez</AddressLine>  
  <City>Austin</City>  
  <StateProvinceCode>TX</StateProvinceCode>  
  <PostalCode>78703</PostalCode>  
  <EffectiveDate/>  
  <ExpirationDate/>  
  <AttentionLine>Jane Doe</AttentionLine>  
  <AttentionLine>GuidanceCounselor</AttentionLine>  
  <NoteMessage />  
</Address>
```

Code illustration 2 (International Address):

```
<Address>  
  <AddressLine>Altova Corporation</AddressLine>  
  <AddressLine>Rudolfsplatz 13a/9</AddressLine>  
  <City>Wien</City>  
  <StateProvince />  
  <PostalCode>A-1010</PostalCode>  
  <CountryCode>AT</CountryCode>  
  <EffectiveDate/>  
  <ExpirationDate/>  
  <AttentionLine/>  
  <NoteMessage/>  
</Address>
```

### Student.AcademicRecord.School.Contacts.Phone

**Note:** Although Phone is an optional complex data element, if it is included, then the data element PhoneNumber must be included.



Tag Name	Schema Use	Description	Recommended Use	Format
CountryPrefixCode	Optional	International dialing code.	Optional	minOcc 0 maxOcc 1 minLength 1 maxLength 3
<b>Comment:</b> For example, the international dialing code for phone numbers in the US is "1" or "001". These codes are typically found in the information pages in the front of a telephone directory for a city or area.				
AreaCityCode	Optional	Regional dialing code.	Recommended	minOcc 0 maxOcc 1 minLength 1 maxLength 5
PhoneNumber	Required	Telephone number.	Required	minOcc 1 maxOcc 1 minLength 1 maxLength 11
<b>Comment:</b> The phone number is normally sent as a string of 7 numbers with no dashes or periods.				
PhoneNumberExtension	Optional	The extended telephone addressing information used in addition to phone number such as a PBX extension, a pager PIN, or FAX sub-address.	Optional	minOcc 0 maxOcc 1 minLength 1 maxLength 5
EffectiveDate	Optional	The date when the phone number at the override school becomes or became effective	Optional	minOcc 0 maxOcc 1 Format is xs:date Or ccyy-mm-dd
ExpirationDate	Optional	The date when the phone number at the override school was or will be no longer valid	Optional	minOcc 0 maxOcc 1 Format is xs:date Or ccyy-mm-dd
NoteMessage	Optional Repeatable	Additional information about the phone number of the Override School	Not recommended	minOcc 0 maxOcc ∞ minLength 1 maxLength 80

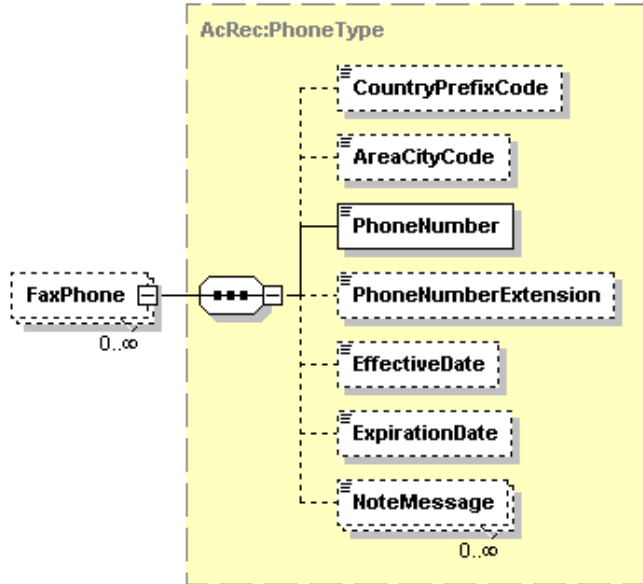
## Student.AcademicRecord.School.Contacts.Phone (Continued)

Code illustration:

```
<Phone>  
  <CountryPrefixCode/>  
  <AreaCityCode>512</AreaCityCode>  
  <PhoneNumber>4757638</PhoneNumber>  
  <PhoneNumberExtension />  
  <EffectiveDate/>  
  <ExpirationDate/>  
  <NoteMessage/>  
</Phone>
```

### Student.AcademicRecord.School.Contacts.FaxPhone

**Note:** Although Fax Phone is an optional complex data element, if it is included, then the data element PhoneNumber must be included.



Tag Name	Schema Use	Description	Recommended Use	Format
CountryPrefixCode	Optional	International dialing code.	Optional	minOcc 0 maxOcc 1 minLength 1 maxLength 3
<b>Comment:</b> For example, the international dialing code for phone numbers in the US is "1". These codes are typically found in the information pages in the front of a telephone directory for a city or area.				
AreaCityCode	Optional	Regional dialing code.	Recommended	minOcc 0 maxOcc 1 minLength 1 maxLength 5
PhoneNumber	Required	Telephone number.	Required	minOcc 1 maxOcc 1 minLength 1 maxLength 11
<b>Comment:</b> The phone number is normally sent as a string of 7 numbers with no dashes or periods.				
PhoneNumberExtension	Optional	The extended telephone addressing information used in addition to phone number such as a PBX extension, a pager PIN, or FAX sub-address.	Optional	minOcc 0 maxOcc 1 minLength 1 maxLength 5
EffectiveDate	Optional	The date when the fax phone number at the override school becomes or became effective	Optional	minOcc 0 maxOcc 1 Format is xs:Date Or ccyy-mm-dd
ExpirationDate	Optional	The date when the fax phone number at the override school was or will be no longer valid	Optional	minOcc 0 maxOcc 1 Format is xs:Date Or ccyy-mm-dd
NoteMessage	Optional Repeatable	Additional information about the fax phone number of the Override School	Not recommended	minOcc 0 maxOcc ∞ minLength 1 maxLength 80



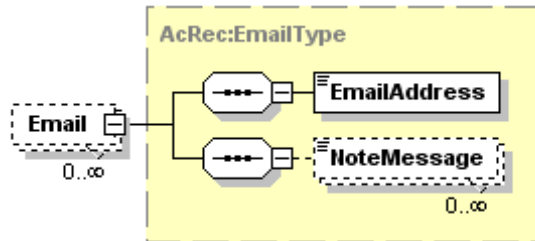
## Student.AcademicRecord.School.Contacts.FaxPhone (Continued)

Code illustration:

```
<FaxPhone>  
  <CountryPrefixCode/>  
  <AreaCityCode>512</AreaCityCode>  
  <PhoneNumber>4757638</PhoneNumber>  
  <PhoneNumberExtension/>  
  <EffectiveDate/>  
  <ExpirationDate/>  
  <NoteMessage/>  
</FaxPhone>
```

## Student.AcademicRecord.School.Contacts.Email

**Note:** Although Email is an optional complex data element, if it is included, then the data element EmailAddress must be included.



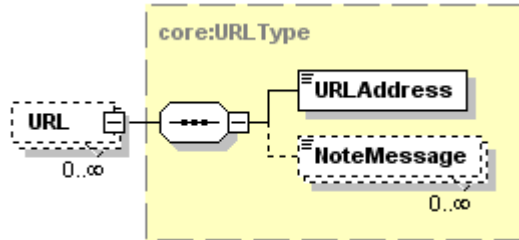
Tag Name	Schema Use	Description	Recommended Use	Format
EmailAddress	Required	The numbers, letters, and symbols used to identify an electronic mail (Email) user within a network	Required	minOcc 1 maxOcc 1 minLength 1 maxLength 128
NoteMessage	Optional Repeatable	Additional information about the email address of the Override School	Not recommended	minOcc 0 maxOcc ∞ minLength 1 maxLength 80

Code illustration:

```
<Email>
  <EmailAddress>Registrar@School.edu</EmailAddress>
  <NoteMessage />
</Email>
```

## Student.AcademicRecord.School.Contacts.URL

**Note:** Although URL is an optional complex data element, if it is included, then the data element URLAddress must be included.



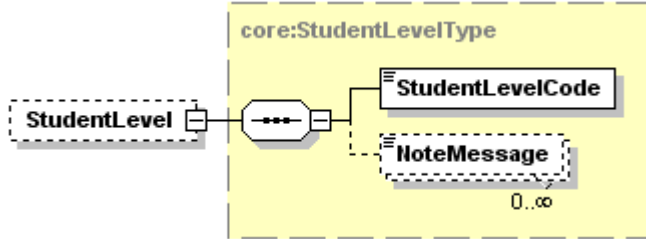
Tag Name	Schema Use	Description	Recommended Use	Format
URLAddress	Required	The Uniform Resource Locator (URL) address associated with a product, deliverable or contact.	Required	minOcc 1 maxOcc 1 minLength 0 maxLength 512
NoteMessage	Optional Repeatable	Additional information about the Uniform Resource Locator address of the Override School	Not recommended	minOcc 0 maxOcc ∞ minLength 1 maxLength 80

Code illustration:

```
<URL>
  <URLAddress>http://www.natick.k12.ma.us/schools/nhs</URLAddress>
  <NoteMessage />
</URL>
```

### Student.AcademicRecord.StudentLevel

**Note:** Although StudentLevel is an optional complex data element, if it is included, then the data element StudentLevelCode must be included.



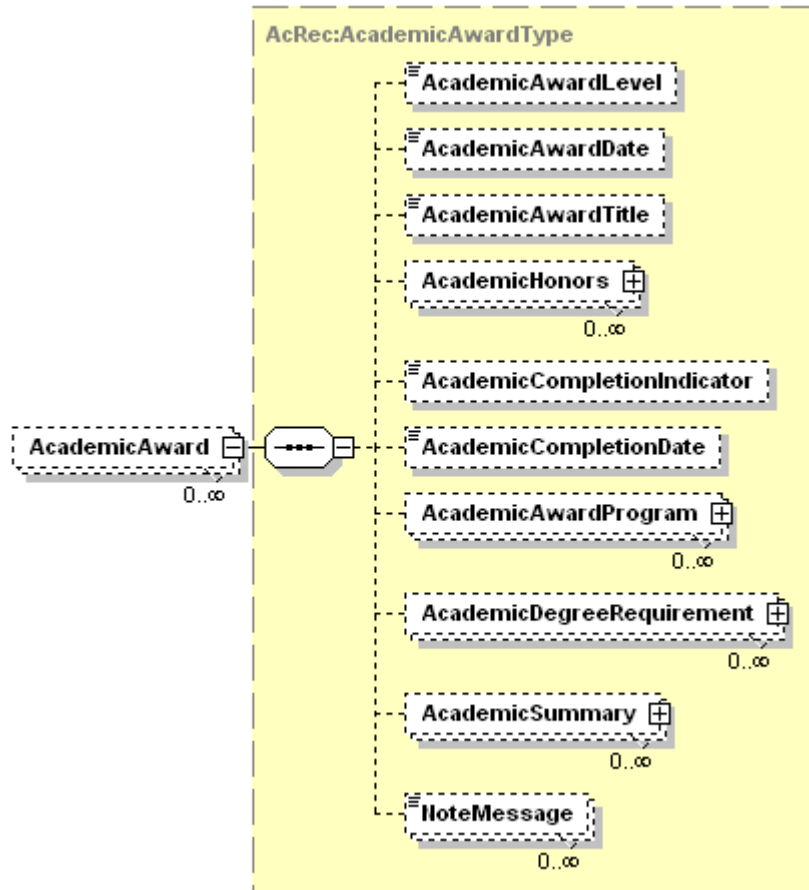
Tag Name	Schema Use	Description	Recommended Use	Format
StudentLevelCode	Required	The current grade level of the student or the highest grade level attained by the student at the time the record was created.	Required	minOcc 1 maxOcc 1  <b>Enumerations:</b> FirstGrade SecondGrade ThirdGrade FourthGrade FifthGrade SixthGrade SeventhGrade EighthGrade NinthGrade TenthGrade EleventhGrade TwelfthGrade Grade13 NonDegree Ungraded
NoteMessage	Optional Repeatabe	Additional information about the student's grade level	Not Recommended	minOcc 0 maxOcc ∞ minLength 1 maxLength 80

Code illustration:

```

<StudentLevel>
  <StudentLevelCode>EighthGrade</StudentLevelCode>
  <NoteMessage/>
</StudentLevel>
  
```

### Student.AcademicRecord.AcademicAward



Tag Name	Schema Use	Description	Recommended Use	Format
AcademicAwardLevel	Optional	<p>The level of the degree, certificate, or award granted for the successful completion of requirements of an academic program.</p> <p>B17 Did not complete secondary school</p> <p>B18 Standard High School Diploma which may or may not include an exit test</p> <p>B19 Advanced or honors diploma</p> <p>B20 Vocational diploma</p> <p>B21 Special Education Diploma normally for students with a disability</p> <p>B22 Certificate of completion or attendance</p> <p>B23 Special certificate of completion or attendance</p> <p>B24 General Education Development (GED) Diploma</p> <p>B25 Other high school equivalency diploma</p>	Recommended	<p>minOcc 0 maxOcc 1</p> <p><b>Enumerations:</b> B17 B18 B19 B20 B21 B22 B23 B24 B25 B26 B27 B28 FrenchBaccalaureate CEGEP</p>

Tag Name	Schema Use	Description	Recommended Use	Format
		<p>B26 International diploma or certificate such as International Baccalaureate</p> <p>B27 Standard High School Diploma with only 3 year curriculum</p> <p>B28 Met all graduation requirements except for required exit test</p> <p>FrenchBaccalaureate is an award made to high school students who complete a rigorous program of student including foreign languages. It allows French and international students to obtain a standardized qualification, typically at the age of 18. This then qualifies holders to work in certain areas, or go on to <a href="#">tertiary education</a> or acquire some other professional qualification or training.</p> <p>CEGEP is an award made by Canadian secondary schools that is typically equivalent to a high school diploma plus one year of college level courses</p>		
AcademicAwardDate	Optional	The date on which the academic award was conferred.	Recommended	minOcc 0 maxOcc 1 xs:date or ccyy-mm-dd
<p><b>Comment:</b> This is the nominal date when the award was granted. It might not be the same as the actual date of completion of the award requirements. The format for date is ccyy-mm-dd. This field can be used for an anticipated graduation date if a value of "false" is also included in the "ApplicationCompletionIndicator" which follows below.</p>				
AcademicAwardTitle	Optional	The descriptive title for the academic award.	Recommended	minOcc 0 maxOcc 1 minLength 1 maxLength 400
<p><b>Comment:</b> The typical title for the award on a high school transcript would be "Diploma."</p>				
AcademicHonors	Optional Repeatable	Honors information for the academic award.	Recommended	minOcc 0 maxOcc ∞
<p><b>Comment:</b> This complex data element will be expanded on page 89 which follows.</p>				
AcademicCompletionIndicator	Optional	An indication that the degree-seeking student completed all of the requirements for his or her academic program. Not used for Non-Degree programs.	Recommended	minOcc 0 maxOcc 1 true/false
<p><b>Comment:</b> The value is "true" or "false" with all letters in lower case. The "true" condition would typically be met on or before the date indicated in the "AcademicAwardDate" field, if that field is sent. If neither the completion date nor the award date is included, then sending this indicator is even more important. If an <b>anticipated</b> graduation date is sent in the field AcademicAwardDate above, then it is important that this data element be included with a value of "false".</p>				
AcademicCompletionDate	Optional	The date on which the student's requirements for the degree or diploma were met or completed.	Recommended	minOcc 0 maxOcc 1 xs:date
<p><b>Comment:</b> This is the actual date when all requirements for the award were completed. It might not be the same as the nominal date of the award. The format for date is ccyy-mm-dd.</p>				

Tag Name	Schema Use	Description	Recommended Use	Format
AcademicAwardProgram	Optional Repeatable	Information related to the specific area of study (e.g., major) under which the award was granted.	Optional	minOcc 0 maxOcc ∞
<b>Comment:</b> The academic award program is not always included in a high school transcript. This complex data element will be expanded on page 90 which follows in this Guide.				
AcademicDegreeRequirement	Optional Repeatable	Thesis or dissertation information if required for the award.	Not Recommended	minOcc 0 maxOcc ∞
<b>Comment:</b> Thesis or dissertation is not appropriate for the high school transcript.				
AcademicSummary	Optional Repeatable	Academic summary information pertaining to the award or diploma.	Optional	minOcc 0 maxOcc ∞
<b>Comment:</b> This complex data element will be expanded on page 100 which follows in this Guide.				
NoteMessage	Optional Repeatable	Additional information about the academic award	Not Recommended	minOcc 0 maxOcc ∞ minLength 1 maxLength 80
<b>Comment:</b> It is the recommendation of the Workgroup, that this is the most appropriate place to include academic awards, such as the awarding of a high school diploma. If it is included here, it will facilitate the processing of the award by the recipient.				

Code illustration:

```

<AcademicAward>
  <AcademicAwardLevel>B18</AcademicAwardLevel>
  <AcademicAwardDate>2011-05-09</AcademicAwardDate>
  <AcademicAwardTitle>Diploma</AcademicAwardTitle>
  <AcademicHonors>

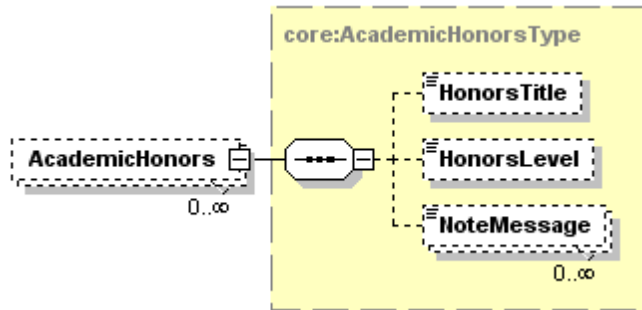
  </AcademicHonors>
  <AcademicCompletionIndicator>true</AcademicCompletionIndicator>
  <AcademicCompletionDate>2011-05-01</AcademicCompletionDate>
  <AcademicAwardProgram>

  </AcademicAwardProgram>
  <AcademicDegreeRequirement/>
  <AcademicSummary>

  </AcademicSummary>
  <NoteMessage/>
</AcademicAward>

```

## Student.AcademicRecord.AcademicAward.AcademicHonors



Tag Name	Schema Use	Description	Recommended Use	Format
HonorsTitle	Optional	The descriptive title for the honors received.	Recommended	minOcc 0 maxOcc 1 minLength 1 maxLength 30
<b>Comment:</b> There is a variety of names for these honors in the United States. Some common ones are "Valdictorian", "Salutatorian", "With Honors", "Magna Cum Laude", etc.				
HonorsLevel	Optional	A code value representing 1st highest honor, 2nd highest and 3rd highest.	Recommended	minOcc 0 maxOcc 1  <b>Enumerations:</b> FirstHighest SecondHighest ThirdHighest
<b>Comment:</b> Honors Level is critical to understanding the context of Honors Title.				
NoteMessage	Optional Repeatable	Additional information about the academic honors	Not Recommended	minOcc 0 maxOcc ∞ minLength 1 maxLength 80
<b>Comment:</b> The information about the award would normally be included with the overall academic record. Then, in that case, this is the appropriate place to include any honors associated with the award of the high school diploma.				

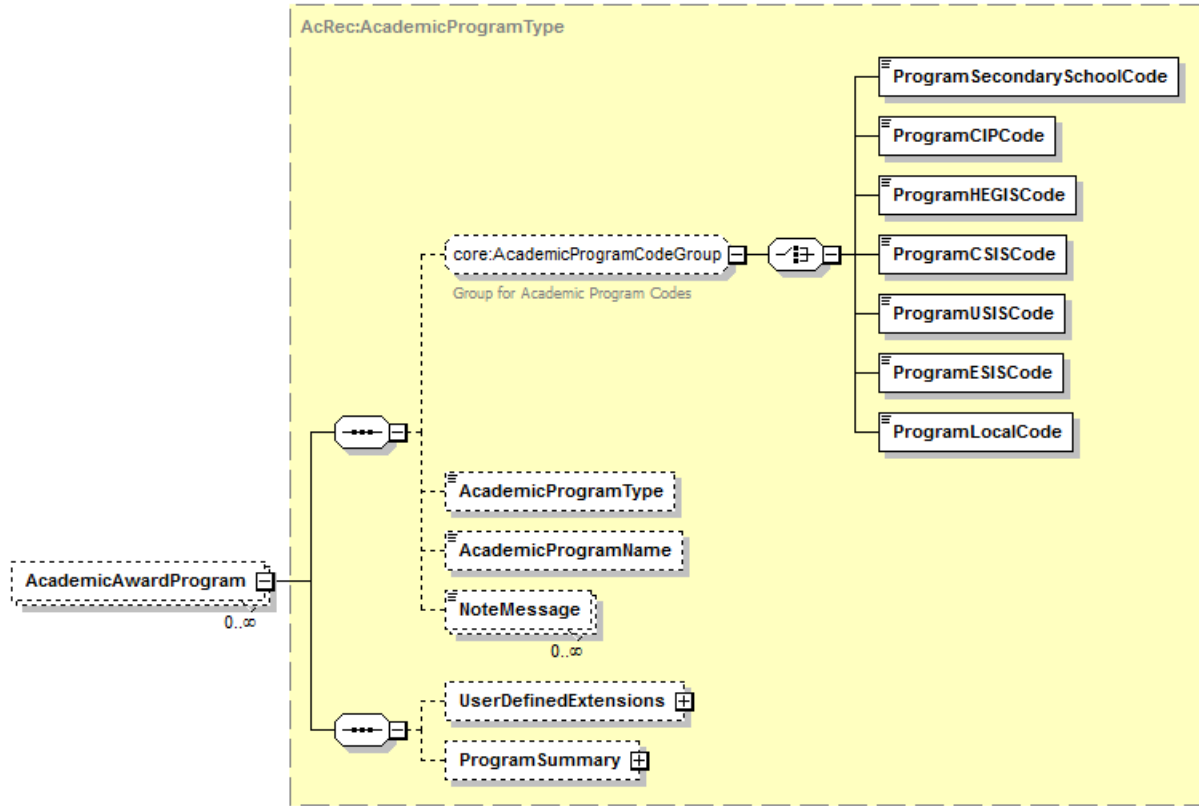
### Code illustration:

```

<AcademicHonors>
  <HonorsTitle>With Honors</HonorsTitle>
  <HonorsLevel>ThirdHighest</HonorsLevel>
  <NoteMessage />
</AcademicHonors>
  
```



### Student.AcademicRecord.AcademicAward.AcademicAwardProgram



Tag Name	Schema Use	Description	Recommended Use	Format
<b>Comment:</b> The structure of Core:AcademicProgramCodeGroup is not an XML tag and does not appear in the instance document.				
ProgramSecondarySchoolCode	Optional exclusive choice	Code indicating the type of secondary school program or award that a student is pursuing	Recommended	minOcc 0 maxOcc 1 <b>Enumerations:</b> CareerPrep CollegePrep CollegePrepOrCollegeTechPrep CollegeTechPrep General Occupational Vocational
ProgramCIPCode	Optional exclusive choice	Code indicating a discipline or field of study assigned by the Classification of Instructional Programs for Postsecondary Institutions	Not Recommended	minOcc 0 maxOcc 1 minLength 6 maxLength 20
<b>Comment:</b> The CIP codes are intended for use by postsecondary school programs.				
ProgramHEGISCode	Optional exclusive choice	Code indicating a discipline or field of study assigned by Higher Education General Information Survey	Not Recommended	minOcc 0 maxOcc 1 minLength 6 maxLength 20
<b>Comment:</b> The HEGIS codes were intended for use by postsecondary school programs.				
ProgramCSISCode	Optional exclusive choice	Code indicating a discipline or field of study assigned by Statistics Canada Canadian College Student Information System	Not Recommended	minOcc 0 maxOcc 1 minLength 5 maxLength 5

Tag Name	Schema Use	Description	Recommended Use	Format
<b>Comment:</b> The CSIS codes were designed for describing academic programs of study at colleges in Canada.				
ProgramUSISCode	Optional exclusive choice	Code indicating a discipline or field of study assigned by the Statistics Canada University Student Information System.	Not Recommended	minOcc 0 maxOcc 1 minLength 5 maxLength 5
<b>Comment:</b> The USIS codes were designed for describing academic programs of study at universities in Canada.				
ProgramESISCode	Optional exclusive choice	Code indicating a discipline or field of study assigned by the Statistics Canada Enhanced Student Information System.	Not Recommended	minOcc 0 maxOcc 1 minLength 1 maxLength 20
<b>Comment:</b> The ESIS codes were designed for describing academic programs of study at colleges and universities in Canada.				
ProgramLocalCode	Optional exclusive choice	This is a code typically created and used within a school or school district	Optional	minOcc 0 maxOcc 1 minLength 1 maxLength 20
<b>Comment:</b> While this local code would be appropriate for use within a school, school district or perhaps even a state, it would not be a good code set for general use.				
AcademicProgramType	Optional	Indicates whether the academic program is a major, minor, area of concentration or specialization.	Optional	minOcc 0 maxOcc 1 <b>Enumerations:</b> Concentration Focus Major Minor SecondMajor Specialization
<b>Comment:</b> These types of academic programs are not typically used on high school transcripts.				
AcademicProgramName	Optional	Literal name of program, major, or field of study.	Optional	minOcc 0 maxOcc 1 minLength 1 maxLength 60
NoteMessage	Optional Repeatable	Additional information about the Academic Award Program	Not Recommended	minOcc 0 maxOcc ∞ minLength 1 maxLength 80
UserDefinedExtensions	Optional	Additional structured information. Requires mutually defined XML schema.	Optional	minOcc 0 maxOcc 1
<b>Comment:</b> This complex data element UserDefinedExtensions would typically be used by schools within a state or geographical region or perhaps by users of a common software vendor to exchange specific data common to that state, region or vendor. It would be ignored by recipients that are not a part of that group.				
ProgramSummary	Optional	Summary information about the Academic Award Program	Optional	minOcc 0 maxOcc 1
<b>Comment:</b> This complex data element will be expanded on page 92 which follows in this Guide.				

**Code illustration:**

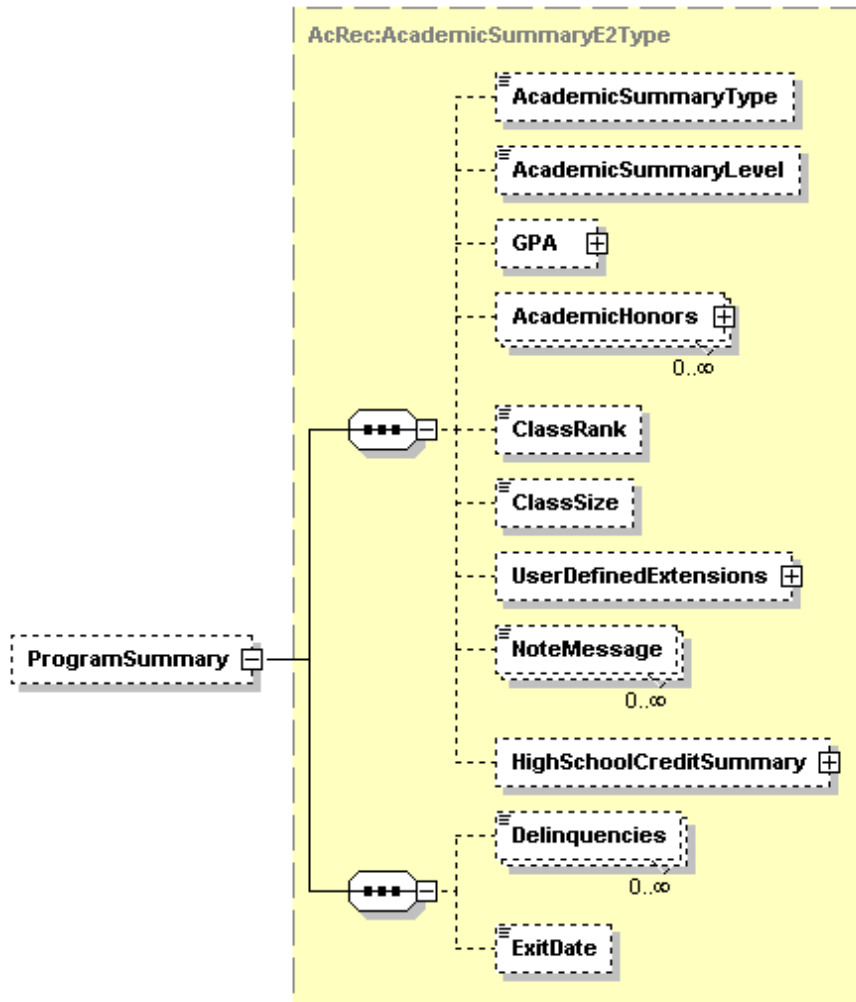
```

<AcademicAwardProgram>
  <ProgramSecondarySchoolCode>General</ProgramSecondarySchoolCode>
  <AcademicProgramType>Major</AcademicProgramType>
  <AcademicProgramName>General Academic Transfer</AcademicProgramName>
  <NoteMessage />
  <ProgramSummary>

  </ProgramSummary>
</AcademicAwardProgram>

```

**Student.AcademicRecord.AcademicAward.AcademicAwardProgram.  
ProgramSummary**



Tag Name	Schema Use	Description	Recommended Use	Format
AcademicSummaryType	Optional	Summary Type is an indication of what is being summarized over which period of time. <i>All</i> – Summary of all courses regardless of institution <i>SenderOnly</i> – Summary of all courses at sending institution (or recorded as if they were taken at the sending institution) <i>TransferOnly</i> – Summary of transfer work (courses taken at other than the sending institution) <i>AllNotRepeated</i> – Summary of all courses except for repeated or forgiven courses/credits <i>SenderNotRepeated</i> – Summary of all courses at sending institution except repeated or forgiven courses/credits	Optional	minOcc 0 maxOcc 1  <b>Enumerations:</b> All SenderOnly TransferOnly AllNotRepeated SenderNotRepeated TransferNotRepeated AcademicRenewal CarryoverCredit DegreeApplicable NonDegreeApplicable ConvertedFrom ConvertedTo Weighted NonWeighted UserDefined

Tag Name	Schema Use	Description	Recommended Use	Format
		<p><i>TransferNotRepeated</i> – Summary of transfer work except for repeated or forgiven courses/credits</p> <p><i>AcademicRenewal</i> – Subset of forgiven courses if the high school has a policy that allows for portion of the academic record to be excluded from the total credits used to compute the grade point average and to also be excluded from the credits earned toward the diploma. This is not very common in high schools.</p> <p><i>CarryoverCredit</i> – Summary from offline records and used as the initial point for cumulatives and averages</p> <p><i>DegreeApplicable</i> – Summary of courses that apply to the diploma</p> <p><i>NonDegreeApplicable</i> – Summary of courses that do not apply toward degree</p> <p><i>ConvertedFrom</i> – Summary of credits before an institutional term-basis conversion, such as from quarters to semesters</p> <p><i>ConvertedTo</i> – Summary of credits after an institutional term-basis conversion, such as from quarters to semesters</p> <p><i>Weighted</i> – Summary that gives additional (higher) value to specific courses taken by a student, such as honors courses, International Baccalaureate, Advanced Placement, high school /college dual enrollment.</p> <p><i>NonWeighted</i> – Summary that does not give additional value to courses, regardless of special characteristics of the courses. For example, if the grading scale is from 0 to 4.00, then it is not possible to have a summary higher than 4.00.</p> <p><i>UserDefined</i> – Use NoteMessage for explanation</p> <p><i>Cumulative</i> – Summary of all credits taken by the student up to and including the current session.</p>		Cumulative
AcademicSummaryLevel	Optional	<p>The level of credit associated with the credit hours earned for the course.</p> <p>SeventhGrade through TwelfthGrade – The grade of the student at the time this record was created</p> <p>Grade13 – The grade following the 12<sup>th</sup> grade</p> <p>Ungraded – The level for students who are not formally assigned a grade level</p> <p><i>Vocational</i> – Vocational/technical credit</p> <p><i>TechnicalPreparatory</i> – Tech Prep</p>	Not Recommended	<p>minOcc 0 maxOcc 1</p> <p><b>Enumerations:</b> SeventhGrade EighthGrade NinthGrade TenthGrade EleventhGrade TwelfthGrade Grade13 Ungraded DualHighSchoolCollege Vocational TechnicalPreparatory</p>

Tag Name	Schema Use	Description	Recommended Use	Format
		credit <i>DualHighSchoolCollege</i> – Typically college level credits taken at a college and/or taught by college instructors for which a student may earn credit for both a high school diploma and a college degree		Secondary
GPA	Optional	GPA for the Award Program	Optional	minOcc 0 maxOcc 1
<b>Comment:</b> This complex data element will be expanded on page 96 which follows in this Guide.				
AcademicHonors	Optional Repeatable	Honors for the Award Program	Recommended	minOcc 0 maxOcc ∞
<b>Comment:</b> This complex data element will be expanded on page 106 which follows in this Guide.				
ClassRank	Optional	The student's class rank relative to other students in their academic cohort (e.g. class).	Recommended	minOcc 0 maxOcc 1 minInclusive maxInclusive 9999 totalDigits 4
<b>Comment:</b> The student ranking the highest in the class would have a rank of "1". At this point in the schema this would be a ranking of students working toward a specific award in a specified program. The more common ranking would normally be done at the Student.AcademicRecord.AcademicSummary level.				
ClassSize	Optional	The numeric size of the academic cohort (e.g. class).	Recommended	minOcc 0 maxOcc 1 minInclusive 1 maxInclusive 9999 totalDigits 4
UserDefinedExtensions	Optional	This is a mini schema that can be used by previously agreed upon users, such as schools within a specific state, or schools with the same vendor	Optional	minOcc 0 maxOcc 1
NoteMessage	Optional Repeatable	Additional information about the Program Summary	Optional	minOcc 0 maxOcc ∞ minLength 1 maxLength 80
<b>Comment:</b> If class rank and class size are provided, a note might be appropriate to describe the cohort and when the ranking occurred.				
HighSchoolCreditSummary	Optional	This is a summary of credits taken at a secondary school	Optional	minOcc 0 maxOcc 1
<b>Comment:</b> Since the more common place for this complex data element would be a child to Student.AcademicRecord.AcademicSummary, it will be expanded there on page 107 which follows in this Guide.				

Tag Name	Schema Use	Description	Recommended Use	Format
Delinquencies	Optional Repeatable	<p>The academic standing of the student upon transfer to the institution.</p> <p><i>ExclusionAcademic</i> – Student typically would have previously been on suspension for academic reasons prior to now being excluded indefinitely. Typically a student would have to petition to re-enroll.</p> <p><i>ExclusionDiscipline</i> – Student typically would have previously been on suspension for disciplinary reasons prior to now being excluded indefinitely. Typically a student would have to petition to re-enroll.</p> <p><i>GoodStanding</i> - Student was in good standing</p> <p><i>ProbationGPA</i> - Student was on academic probation (because of low GPA)</p> <p><i>ProbationHours</i> - Student was on academic probation (deficiency in credit hours)</p> <p><i>SuspensionGPA</i> - Student was on academic suspension (because of low GPA)</p> <p><i>SuspensionHours</i> - Student was on academic suspension (deficiency in credit hours)</p> <p><i>ProbationDiscipline</i> - Student was on disciplinary probation</p> <p><i>SuspensionDiscipline</i> - Student was on disciplinary suspension</p> <p><i>Unknown</i></p> <p><i>Other</i></p>	Optional	<p>minOcc 0 maxOcc ∞</p> <p><b>Enumerations:</b> ExclusionAcademic ExclusionDiscipline GoodStanding ProbationDiscipline ProbationGPA ProbationHours SuspensionDiscipline SuspensionGPA SuspensionHours Unknown Other</p>
<p><b>Comment:</b> The American Association of Collegiate Registrars and Admissions Officers recommends that probation remarks not be included on College Transcripts. It does not make any recommendations about High School Transcripts.</p>				
ExitDate	Optional	The date on which the student officially withdrew, was withdrawn, or graduated.	Optional	<p>minOcc 0 maxOcc 1</p> <p>xs:date</p>
<p><b>Comment:</b> The format for the date is ccyymm-dd.</p>				
<p><b>Comment:</b> This section of the transcript refers to a summary of the academic record for the specific academic program the student took that was used for the academic award specified. This is not normally included in a high school transcript.</p>				

Code illustration:

```

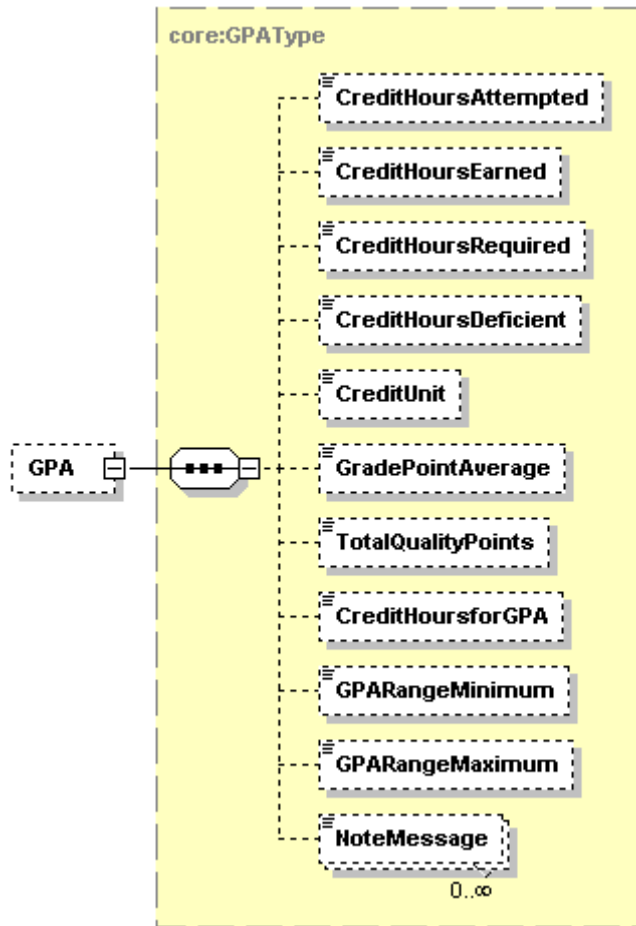
<ProgramSummary>
  <AcademicSummaryType>All</AcademicSummaryType>
  <AcademicSummaryLevel>TwelfthGrade</AcademicSummaryLevel>
  <GPA>

  </GPA>
  <AcademicHonors>

  </AcademicHonors>
  <ClassRank>75</ClassRank>
  <ClassSize>254</ClassSize>
  <UserDefinedExtensions/>
  <NoteMessage/>
  <HighSchoolCreditSummary/>
  <Delinquencies/>
  <ExitDate/>
</ProgramSummary>

```

**Student.AcademicRecord.AcademicAward.AcademicAwardProgram.  
ProgramSummary.GPA**



Tag Name	Schema Use	Description	Recommended Use	Format
CreditHoursAttempted	Optional	The total value of credit hours attempted whether or not included in the hours for GPA or hours earned.	Recommended	minOcc 0 maxOcc 1 xs:decimal
<p><b>Comment:</b> This would also include the credit value of a course from which the student withdrew, if it appears on the transcript. So if a student had enrolled in 10 Carnegie Units which are all included in the specified program and appear on the transcript, and had passed 5 units and withdrawn from 5 units, then the value of this field would be "10". If the student had enrolled for 10.5 units that are included in this program and are on the transcript, then the value of this field would be "10.5".</p>				
CreditHoursEarned	Optional	The total value of credit hours successfully completed or earned.	Recommended	minOcc 0 maxOcc 1 xs:decimal
<p><b>Comment:</b> If the student had earned 5 Carnegie Units and they all counted toward this program for this diploma, then the value of this data element would be "5". If only 4.5 units were earned, then the value would be "4.5".</p>				
CreditHoursRequired	Optional	The total value of credit hours that are required for the award or diploma for which the student is pursuing	Optional	minOcc 0 maxOcc 1 xs:decimal

Tag Name	Schema Use	Description	Recommended Use	Format
CreditHoursDeficient	Optional	The total value of credit hours the student is lacking in order to successfully complete requirements for an award, diploma or certificate.	Optional	minOcc 0 maxOcc 1 xs:decimal
<b>Comment:</b> If the student had earned 5 Carnegie Units and they all counted toward this program for this diploma, then the value of this data element would be "5". If only 4.5 units were earned, then the value would be "4.5".				
CreditUnit	Optional	The type of credit (unit, semester, or quarter) associated with the credit hours earned for the course.	Recommended	minOcc 0 maxOcc 1  <b>Enumerations:</b> NoCredit Quarter Semester Units ClockHours CarnegieUnits ContinuingEducationUnits Unreported Other
<b>Comment:</b> Note that the credit unit is not necessarily directly related to the type of session in which a course is offered. A full year course, or a semester course, or a quarter course, may all offer Carnegie Units or Units as the credit unit.				
GradePointAverage	Optional	The value of the total quality points divided by the Credit Hours for Grade Point Average.	Recommended	minOcc 0 maxOcc 1 xs:decimal
<b>Comment:</b> For example, if the student had enrolled for 10 Carnegie Units that counted toward this diploma and this program, passed 8 units with grades of B worth 3 grade points for each Carnegie Unit, and 2 Carnegie Units with grades of F worth 0 grade points, then the calculation would be 24 grade points divided by 10 or a GPA of "2.4" or "2.40" or "2.400" depending on the policy of the sending school.				
TotalQualityPoints	Optional	The total value of quality points used for the calculation of the Grade Point Average.	Recommended	minOcc 0 maxOcc 1 xs:decimal
<b>Comment:</b> If a student earned all grades of B (worth 3 grade points for each Carnegie Unit) in 8.5 Carnegie Units that count toward this diploma and this program, then the value of this data element would be "25.5".				
CreditHoursforGPA	Optional	The total value of credit hours used to calculate the Grade Point Average.	Recommended	minOcc 0 maxOcc 1 xs:decimal
<b>Comment:</b> If a student earned grades of A (worth 4 grades points per unit) in 3 Carnegie Units in this program for this diploma; grades of F (worth 0 points per unit) in 4 units; and withdrew from 5 units, then the total credit hours for GPA for this diploma and this program would be "7".				
GPARangeMinimum	Optional	The minimum possible GPA	Recommended	minOcc 0 maxOcc 1 xs:decimal
<b>Comment:</b> If the lowest possible grade is an F and a grade of F is valued at 0 grade points, then this value would be "0", or "0.0" or "0.00".				
GPARangeMaximum	Optional	The maximum possible GPA	Recommended	minOcc 0 maxOcc 1 xs:decimal
<b>Comment:</b> If the highest possible grade is an A and a grade of A is valued at 4 grade points, then this value would be "4" or "4.0" or "4.00", etc.				
NoteMessage	Optional Repeatable	Additional information about the GPA	Not Recommended	minOcc 0 maxOcc ∞ minLength 1 maxLength 80



Tag Name	Schema Use	Description	Recommended Use	Format
<p><b>Comment:</b> A student's GPA for a specific program within the Award or Diploma would not normally be included in a high school transcript so this entire section of the schema would not normally be included. A more common location for this complex data element would be as child to Student.AcademicRecord.AcademicSummary</p>				

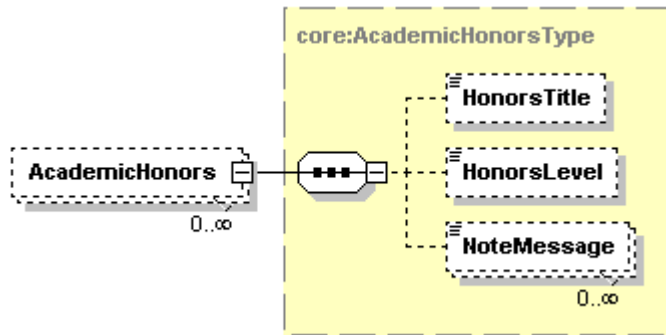
Code illustration:

```

<GPA>
  <CreditHoursAttempted>12</CreditHoursAttempted>
  <CreditHoursEarned>12</CreditHoursEarned>
  <CreditHoursRequired>25</CreditHoursRequired>
  <CreditHoursDeficient>13</CreditHoursDeficient>
  <CreditUnit>CarnegieUnits</CreditUnit>
  <GradePointAverage>3.75</GradePointAverage>
  <TotalQualityPoints>45</TotalQualityPoints>
  <CreditHoursforGPA>12</CreditHoursforGPA>
  <GPARangeMinimum>0</GPARangeMinimum>
  <GPARangeMaximum>4</GPARangeMaximum>
  <NoteMessage />
</GPA>

```

**Student.AcademicRecord.AcademicAward.AcademicAwardProgram.  
ProgramSummary.AcademicHonors**



Tag Name	Schema Use	Description	Recommended Use	Format
HonorsTitle	Optional	The descriptive title for the honors received.	Not Recommended	minOcc 0 maxOcc 1 minLength 1 maxLength 30
HonorsLevel	Optional	A code value representing 1st highest honor, 2nd highest and 3rd highest.	Not Recommended	minOcc 0 maxOcc 1  <b>Enumerations:</b> FirstHighest SecondHighest ThirdHighest
NoteMessage	Optional Repeatable	Additional information about the Academic Honors	Not Recommended	minOcc 0 maxOcc ∞ minLength 1 maxLength 80

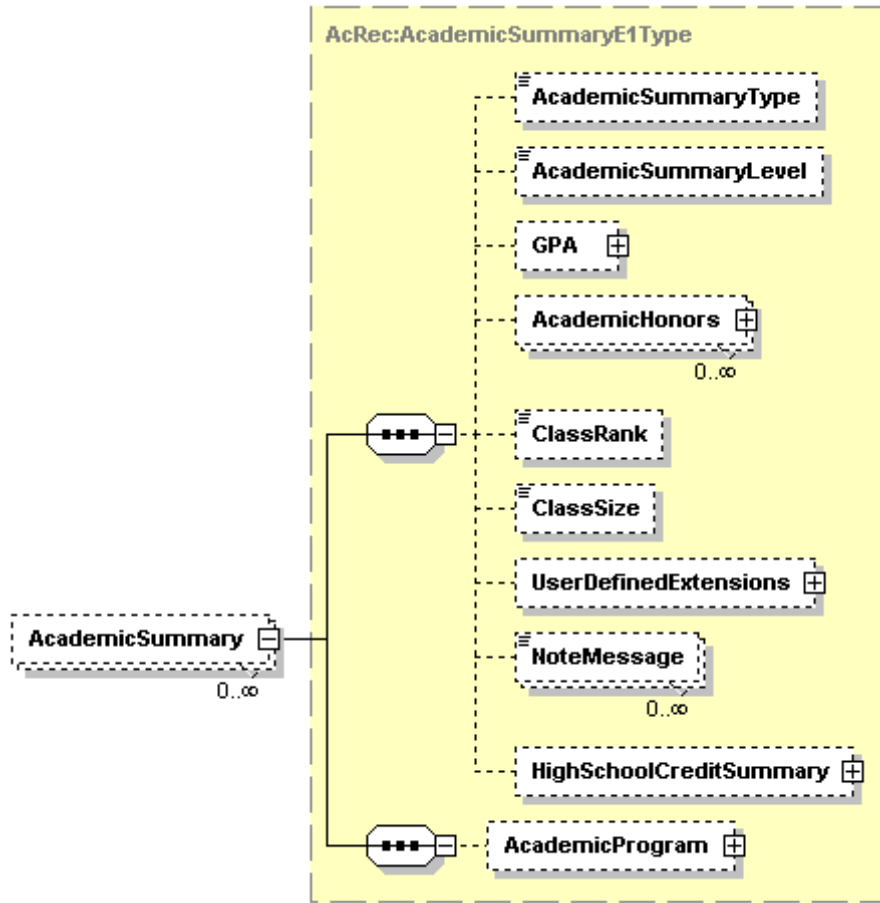
**Comment:** This entire section of the schema for honors awarded for a specific program as part of a high school diploma would not normally be included on a high school transcript.

Code illustration:

```

<AcademicHonors>
  <HonorsTitle>Cum Laude</HonorsTitle>
  <HonorsLevel>ThirdHighest</HonorsLevel>
  <NoteMessage/>
</AcademicHonors>
  
```

### Student.AcademicRecord.AcademicAward.AcademicSummary



Tag Name	Schema Use	Description	Recommended Use	Format
AcademicSummaryType	Optional	<p>Summary Type is an indication of what is being summarized over what period of time</p> <p><i>All</i> - Summary of all courses regardless of institution</p> <p><i>SenderOnly</i> - Summary of all courses at sending institution (or recorded as if they were taken at the sending institution)</p> <p><i>TransferOnly</i> - Summary of transfer work (courses taken at other than the sending institution)</p> <p><i>AllNotRepeated</i> - Summary of all courses except for repeated or forgiven courses/credits</p> <p><i>SenderNotRepeated</i> - Summary of all courses at sending institution except for repeated or forgiven courses/credits</p> <p><i>TransferNotRepeated</i> - Summary of transfer work except for repeated or forgiven courses/credits</p> <p><i>AcademicRenewal</i> - Subset of forgiven courses</p>	Recommended	<p>minOcc 0 maxOcc 1</p> <p><b>Enumerations:</b>                      All                      SenderOnly                      TransferOnly                      AllNotRepeated                      SenderNotRepeated                      TransferNotRepeated                      AcademicRenewal                      CarryoverCredit                      DegreeApplicable                      NonDegreeApplicable                      ConvertedFrom                      ConvertedTo                      Weighted                      NonWeighted                      UserDefined                      Cumulative</p>

Tag Name	Schema Use	Description	Recommended Use	Format
		<p><i>CarryoverCredit</i> - Summary from offline records and used as the initial point for cumulatives and averages</p> <p><i>DegreeApplicable</i> - Summary of course that apply to degree</p> <p><i>NonDegreeApplicable</i> - Summary of courses that do not apply toward degree</p> <p><i>ConvertedFrom</i> - Summary of credits before an institutional term-basis conversion, such as from quarters to semesters</p> <p><i>ConvertedTo</i> - Summary of credits after an institutional term-basis conversion, such as from quarters to semesters</p> <p><i>Weighted</i> – Summary that gives additional (higher) value to specific courses taken by a student, such as honors courses, International Baccalaureate, Advanced Placement, high school/college dual enrollment.</p> <p><i>NonWeighted</i> – Summary that does not give additional value to courses, regardless of special characteristics of the courses. For example, if the grading scale is from 0 to 4.00, then it is not possible to have a summary higher than 4.00.</p> <p><i>UserDefined</i> - see NoteMessage for explanation</p> <p><i>Cumulative</i> – Summary of all courses taken up to and including this session</p>		
AcademicSummaryLevel	Optional	The level of credit associated with the credit hours earned for the course.	Optional	<p>minOcc 0 maxOcc 1</p> <p><b>Enumerations:</b> SeventhGrade EighthGrade NinthGrade TenthGrade EleventhGrade TwelfthGrade DualHighSchoolCollege Secondary TechnicalPreparatory Vocational</p>
<b>Comment:</b> Inclusion of this data element at this level would be very unusual.				
GPA	Optional	GPA for the Academic Award	Recommended	<p>minOcc 0 maxOcc 1</p>
<b>Comment:</b> This complex data element will be expanded on page 103 which follows in this Guide.				
AcademicHonors	Optional Repeatable	Honors for the Academic Award	Recommended	<p>minOcc 0 maxOcc ∞</p>
<b>Comment:</b> This complex data element will be expanded on page 106 which follows in this Guide.				
ClassRank	Optional	The student's class rank relative to other students in their academic cohort (e.g. class).	Recommended	<p>minOcc 0 maxOcc 1 minInclusive 1 maxInclusive 9999 totalDigits 4</p>

Tag Name	Schema Use	Description	Recommended Use	Format
ClassSize	Optional	The numeric size of the academic cohort (e.g. class).	Recommended	minOcc 0 maxOcc 1 minInclusive 1 maxInclusive 9999 totalDigits 4
UserDefinedExtensions	Optional	A mini schema, that can include structured data, when that has structure has been previously agreed to by a set of trading partners, frequently within a state or province, or who use the same vendor	Optional	minOcc 0 maxOcc 1
NoteMessage	Optional Repeatable	Additional information about the Academic Summary for an Academic Award	Not Recommended	minOcc 0 maxOcc ∞ minLength 1 maxLength 80
HighSchoolCreditSummary	Optional	A specific summary of credits taken in a secondary school	Optional	minOcc 0 maxOcc 1
<b>Comment:</b> This occurrence of this complex data element would summarize credits and courses taken, and required and deficient for the specific award at the high school. This complex data element will be expanded on page 107 which follows in this Guide.				
AcademicProgram	Optional	Academic Program(s) related to this Academic Summary	Optional	minOcc 0 maxOcc 1
<b>Comment:</b> This complex data element will be expanded on page 110 which follows in this Guide.				
<b>Comment:</b> While academic award programs and summaries can be communicated in several different elements, it is recommended that they be reported at the highest appropriate level. E.G., use <i>AcademicAward.AcademicAwardProgram</i> to indicate degree major; <i>AcademicAward.AcademicAwardProgram.ProgramSummary</i> for degree major GPA and honors; <i>AcademicAward.AcademicSummary</i> for degree GPA and honors. This would be the appropriate place in this schema to give information about the credits and GPA for the diploma that is awarded if the sending school does not include this in the academic session in which the diploma was awarded.				

Code illustration:

```

<AcademicSummary>
  <AcademicSummaryType>All</AcademicSummaryType>
  <AcademicSummaryLevel>Secondary</AcademicSummaryLevel>
  <GPA>

  </GPA>
  <AcademicHonors>

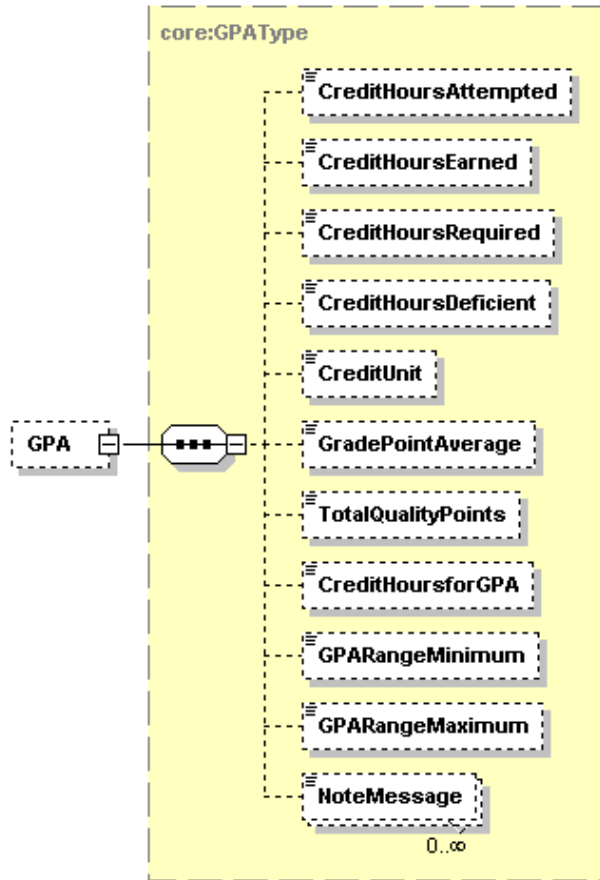
  </AcademicHonors>
  <ClassRank>43</ClassRank>
  <ClassSize>849</ClassSize>
  <UserDefinedExtensions/>
  <NoteMessage/>
  <HighSchoolCreditSummary>

  </HighSchoolCreditSummary>
  <AcademicProgram>

  </AcademicProgram>
</AcademicSummary>

```

### Student.AcademicRecord.AcademicAward.AcademicSummary.GPA



Tag Name	Schema Use	Description	Recommended Use	Format
CreditHoursAttempted	Optional	The total value of credit hours attempted whether or not included in the hours for GPA or hours earned.	Recommended	minOcc 0 maxOcc 1 xs:decimal
<b>Comment:</b> This would include the credit value of a course from which the student withdrew, if it appears on the transcript. So if a student had enrolled in 10 Carnegie Units which are all included for this diploma and are on the transcript, and had passed 5 units and withdrawn from 5 units, then the value of this field would be "10". If the student had enrolled for 10.5 units that are included for this diploma and are on the transcript, then the value of this field would be "10.5".				
CreditHoursEarned	Optional	The total value of credit hours successfully completed or earned.	Recommended	minOcc 0 maxOcc 1 xs:decimal
<b>Comment:</b> If the student had earned 5 Carnegie Units and they all counted toward this diploma, then the value of this data element would be "5". If only 4.5 units were earned, then the value would be "4.5".				
CreditHoursRequired	Optional	The total value of credit hours that are required for a student to earn this award or diploma	Recommended	minOcc 0 maxOcc 1 xs:decimal
CreditHoursDeficient	Optional	The total value of credit hours that are still needed by the student to complete this award or diploma.	Recommended	minOcc 0 maxOcc 1 xs:decimal
<b>Comment:</b> If the student had earned 5 Carnegie Units and they all counted toward this diploma, then the value of this data element would be "5". If only 4.5 units were earned, then the value would be "4.5".				

Tag Name	Schema Use	Description	Recommended Use	Format
CreditUnit	Optional	The type of credit (unit, semester, or quarter) associated with the credit hours earned for the course.	Recommended	minOcc 0 maxOcc 1  <b>Enumerations:</b> NoCredit Quarter Semester Units ClockHours CarnegieUnits ContinuingEducationUnits Unreported Other
<b>Comment:</b> Note that the credit unit is not necessarily directly related to the type of session in which a course is offered. A full year course, or a semester course, or a quarter course, may all offer Carnegie Units or Units as the credit unit.				
GradePointAverage	Optional	The value of the total quality points divided by the Credit Hours for Grade Point Average.	Recommended	minOcc 0 maxOcc 1  xs:decimal
<b>Comment:</b> For example, if the student had enrolled for 10 Carnegie Units that counted toward this diploma, passed 8 units with grades of B worth 3 grade points for each Carnegie Unit, and 2 Carnegie Units with grades of F worth 0 grade points, then the calculation would be 24 grade points divided by 10 or a GPA of "2.4" or "2.40" or "2.400" depending on the policy of the sending school.				
TotalQualityPoints	Optional	The total value of quality points used for the calculation of the Grade Point Average.	Recommended	minOcc 0 maxOcc 1  xs:decimal
<b>Comment:</b> If a student earned all grades of B (worth 3 grade points for each Carnegie Unit) in 8.5 Carnegie Units that count toward this diploma, then the value of this data element would be "25.5".				
CreditHoursforGPA	Optional	The total value of credit hours used to calculate the Grade Point Average.	Recommended	minOcc 0 maxOcc 1  xs:decimal
<b>Comment:</b> If a student earned grades of A (worth 4 grades points per unit) in 3 Carnegie Units for this diploma; grades of F (worth 0 points per unit) in 4 units; and withdrew from 5 units, then the total credit hours for GPA for this diploma would be "7".				
GPARangeMinimum	Optional	The minimum possible Grade Point Average	Recommended	minOcc 0 maxOcc 1  xs:decimal
<b>Comment:</b> If the lowest possible grade is an F and a grade of F is valued at 0 grade points, then this value would be "0", or "0.0" or "0.00", etc.				
GPARangeMaximum	Optional	The maximum possible Grade Point Average	Recommended	minOcc 0 maxOcc 1  xs:decimal
<b>Comment:</b> If the highest possible grade is an A and a grade of A is valued at 4 grade points, then this value would be "4" or "4.0" or "4.00", etc.				
NoteMessage	Optional Repeatable	Additional information about the GPA	Not Recommended	minOcc 0 maxOcc ∞ minLength 1 maxLength 80
<b>Comment:</b> The GPA reported in this section of the Schema is an overall GPA for all courses that count toward the diploma described in this section.				

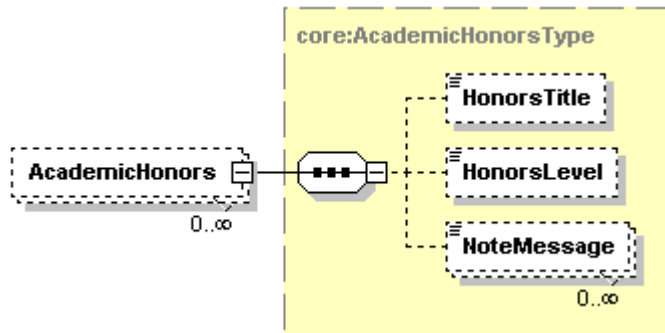
## Student.AcademicRecord.AcademicAward.AcademicSummary.GPA (Continued)

Code illustration:

```
<GPA>  
  <CreditHoursAttempted>22</CreditHoursAttempted>  
  <CreditHoursEarned>20</CreditHoursEarned>  
  <CreditHoursRequired>23</CreditHoursRequired>  
  <CreditHoursDeficient>3</CreditHoursDeficient>  
  <CreditUnit>CarnegieUnits</CreditUnit>  
  <GradePointAverage>3.41</GradePointAverage>  
  <TotalQualityPoints>75</TotalQualityPoints>  
  <CreditHoursforGPA>22</CreditHoursforGPA>  
  <GPARangeMinimum>0</GPARangeMinimum>  
  <GPARangeMaximum>4</GPARangeMaximum>  
  <NoteMessage/>  
</GPA>
```



## Student.AcademicRecord.AcademicAward.AcademicSummary. AcademicHonors



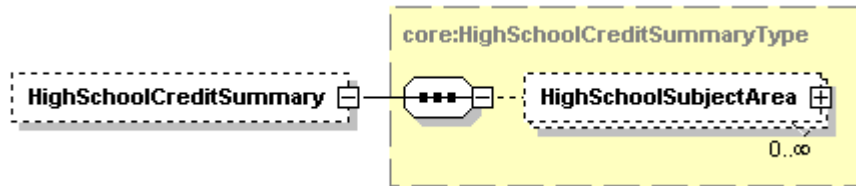
Tag Name	Schema Use	Description	Recommended Use	Format
HonorsTitle	Optional	The descriptive title for the honors received.	Recommended	minOcc 0 maxOcc 1 minLength 1 maxLength 30
<b>Comment:</b> There is a great variety of titles for honors that are associated with the diploma being awarded. Among these are "Star Student", "Sigma Alpha Tau", "Salutatorian", "Valedictorian", "Summa Cum Laude", "Magna Cum Laude", "Cum Laude", "With Highest Honors", etc.				
HonorsLevel	Optional	A code value representing 1st highest honor, 2nd highest and 3rd highest.	Recommended	minOcc 0 maxOcc 1  <b>Enumerations:</b> FirstHighest SecondHighest ThirdHighest
NoteMessage	Optional Repeatable	Additional information about the Academic Honors	Not Recommended	minOcc 0 maxOcc ∞ minLength 1 maxLength 80
<b>Comment:</b> These are the academic honors associated with the diploma or other award described immediately above.				

Code illustration:

```

<AcademicHonors>
  <HonorsTitle>Valedictorian</HonorsTitle>
  <HonorsLevel>FirstHighest</HonorsLevel>
  <NoteMessage/>
</AcademicHonors>
  
```

## Student.AcademicRecord.AcademicAward.AcademicSummary. HighSchoolCreditSummary



Tag Name	Schema Use	Description	Recommended Use	Format
HighSchoolSubjectArea	Optional Repeatable	The part of the high school curriculum area that is to be described and summarized	Recommended	minOcc 0 maxOcc ∞

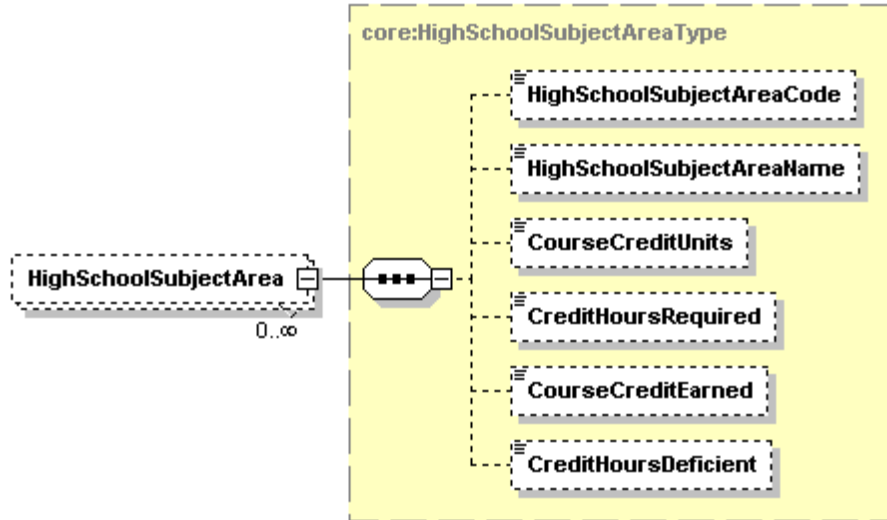
**Comment.** This complex data element will be expanded on page 108 which follows in this Guide.

Code illustration:

```
<HighSchoolCreditSummary>
  <HighSchoolSubjectArea>

  </HighSchoolSubjectArea>
</HighSchoolCreditSummary>
```

Student.AcademicRecord.AcademicAward.AcademicSummary.  
HighSchoolCreditSummary.HighSchoolSubjectArea



Tag Name	Schema Use	Description	Recommended Use	Format
HighSchoolSubjectAreaCode	Optional	This simple data element describes major areas of the high school curriculum	Recommended	minOcc 0 maxOcc 1  <b>Enumerations:</b> AcademicElective Arts English ForeignLanguage HistorySocialScience LabScience Math Other Science
HighSchoolSubjectAreaName	Optional	The name of the major area of the high school curriculum	Optional	minOcc 0 maxOcc 1 minLength 1 maxLength 30
<b>Comment:</b> It would not be necessary to include this data element if the high school names its curriculum area the same as the enumerated value in the previous data element. If not, it might be helpful to include the name of the area as used at the sending high school.				
CourseCreditUnits	Optional	The type of credits used at the high school	Recommended	minOcc 0 maxOcc 1  <b>Enumerations:</b> NoCredit Quarter Semester Units ClockHours CarnegieUnits ContinuingEducationUnits Unreported Other
CreditHoursRequired	Optional	The number of credit units needed to satisfy the graduation requirements in this area	Recommended	minOcc 0 maxOcc 1  The format is decimal up to 3 decimal places

Tag Name	Schema Use	Description	Recommended Use	Format
CreditHoursEarned	Optional	The number of credit units that the student has earned up to this point in time in this curriculum area	Recommended	minOcc 0 maxOcc 1 The format is decimal up to 3 decimal places
CreditHoursDeficient	Optional	The number of credit units that the student still needs to complete in this curriculum area in order to receive the award or diploma	Recommended	minOcc 0 maxOcc 1 The format is decimal up to 3 decimal places

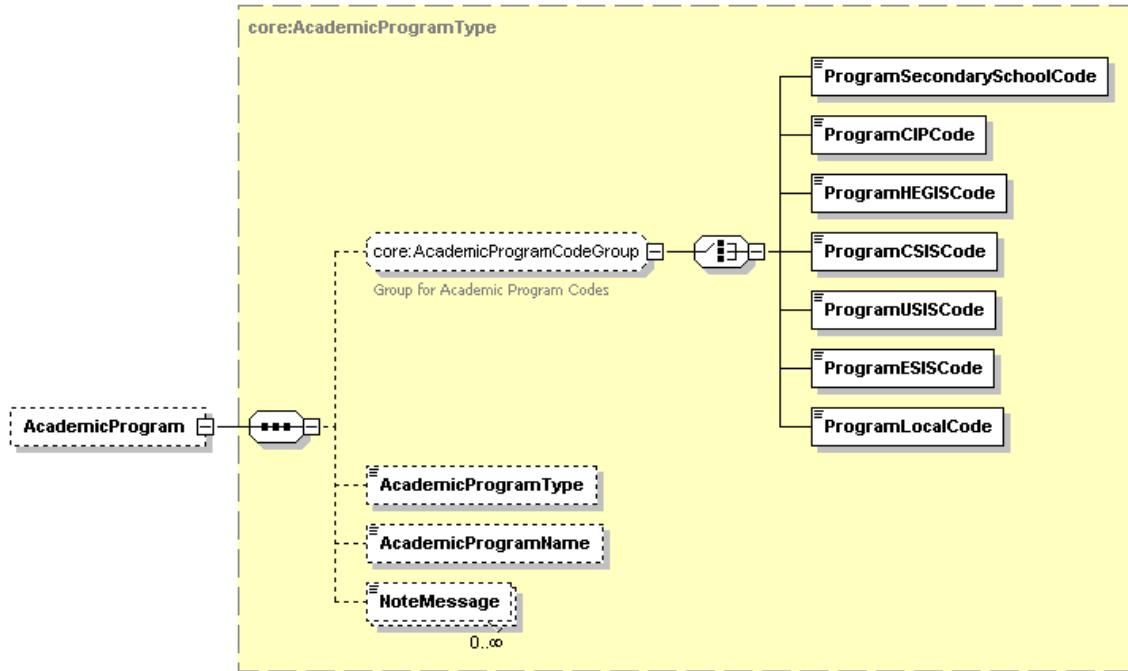
Code illustration:

```

<HighSchoolSubjectArea>
  <HighSchoolSubjectAreaCode>Math</HighSchoolSubjectAreaCode>
  <HighSchoolSubjectAreaName>Higher Mathematics</HighSchoolSubjectAreaName>
  <CourseCreditUnits>CarnegieUnits</CourseCreditUnits>
  <CreditHoursRequired>3</CreditHoursRequired>
  <CourseCreditEarned>1.5</CourseCreditEarned>
  <CreditHoursDeficient>1.5</CreditHoursDeficient>
</HighSchoolSubjectArea>

```

**Student.AcademicRecord.AcademicAward.AcademicSummary.  
AcademicProgram**



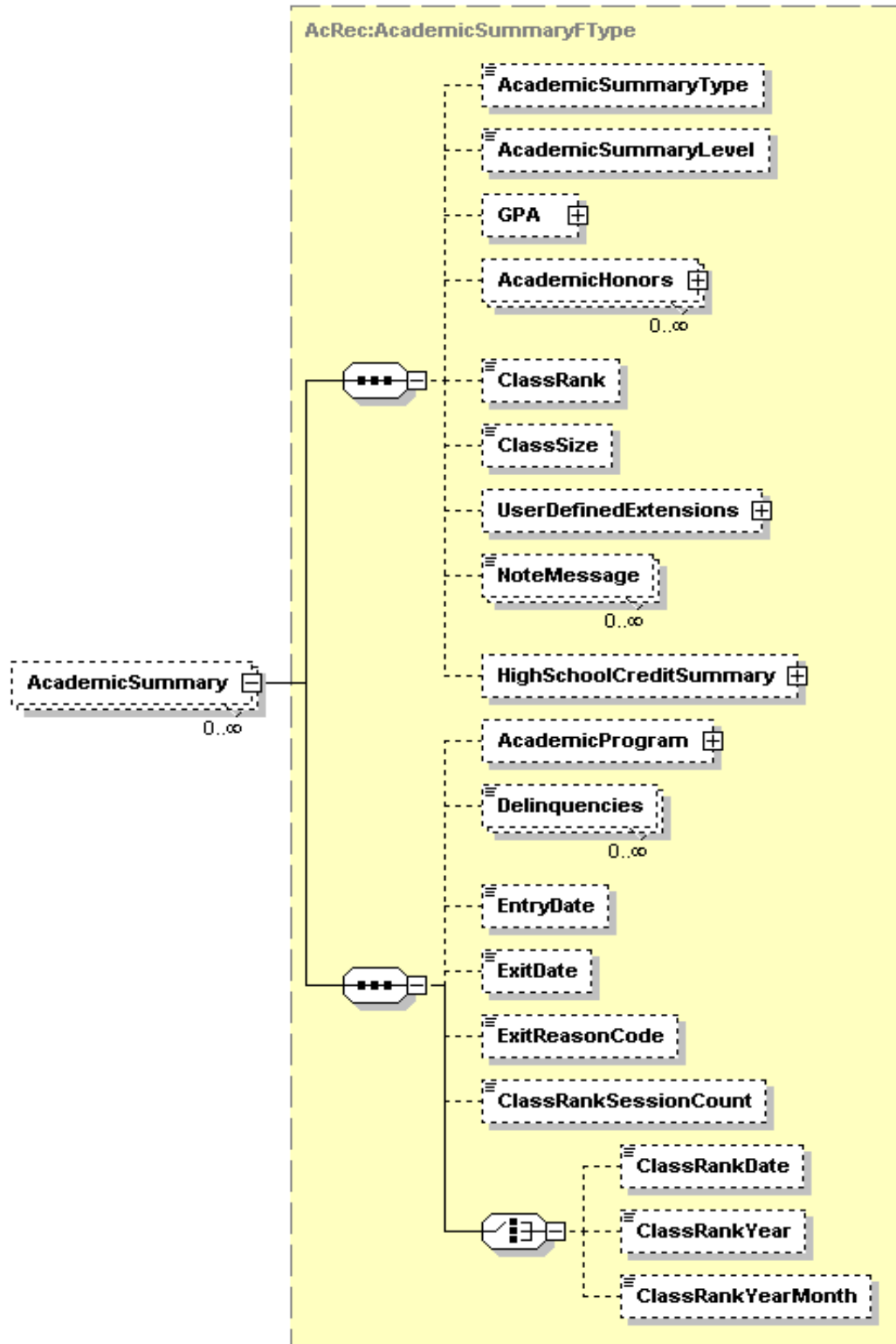
Tag Name	Schema Use	Description	Recommended Use	Format
ProgramSecondarySchoolCode	Optional exclusive choice	Code that describes a program of study taken by secondary school students	Recommended	minOcc 0 maxOcc 1 <b>Enumerations:</b> CareerPrep CollegePrep CollegePrepOrCollegeTechPrep CollegeTechPrep General Occupational Vocational
ProgramCIPCode	Optional exclusive choice	Code indicating a discipline or field of study assigned by the Classification of Instructional Programs	Not Recommended	minOcc 0 maxOcc 1 minLength 6 maxLength 20
ProgramHEGISCode	Optional exclusive choice	Code indicating a discipline or field of study assigned by Higher Education General Information Survey	Not Recommended	minOcc 0 maxOcc 1 minLength 6 maxLength 20
ProgramCSISCode	Optional exclusive choice	Code indicating a discipline or field of study assigned by Statistics Canada Canadian College Student Information System	Not Recommended	minOcc 0 maxOcc 1 minLength 5 maxLength 5
ProgramUSISCode	Optional exclusive choice	Code indicating a discipline or field of study assigned by the Statistics Canada University Student Information System.	Not Recommended	minOcc 0 maxOcc 1 minLength 5 maxLength 5

Tag Name	Schema Use	Description	Recommended Use	Format
ProgramESISCode	Optional exclusive choice	Code indicating a discipline or field of study assigned by the Statistics Canada Enhanced Student Information System.	Not Recommended	minOcc 0 maxOcc 1 minLength 1 maxLength 20
ProgramLocalCode	Optional exclusive choice	This is a code typically created and used within a school or school district	Optional	minOcc 0 maxOcc 1 minLength 1 maxLength 20
<b>Comment:</b> While this local code would be appropriate for use within a school, school district or perhaps even a state, it would not be a good code set for general use.				
AcademicProgramType	Optional	Indicates whether the academic program is a major, minor, area of concentration or specialization.	Optional	minOcc 0 maxOcc 1  <b>Enumerations:</b> Concentration Focus Major Minor SecondMajor Specialization
AcademicProgramName	Optional	Literal name of program, major, or field of study.	Recommended	minOcc 0 maxOcc 1 minLength 1 maxLength 60
NoteMessage	Optional Repeatable	Additional information about the Academic Program	Not Recommended	minOcc 0 maxOcc ∞ minLength 1 maxLength 80

Code illustration:

```
<AcademicProgram>
  <ProgramSecondarySchoolCode>General</ProgramSecondarySchoolCode>
  <AcademicProgramType>Major</AcademicProgramType>
  <AcademicProgramName>General Transfer</AcademicProgramName>
  <NoteMessage />
</AcademicProgram>
```

### Student.AcademicRecord.AcademicSummary



### Student.AcademicRecord.AcademicSummary (Continued)

Tag Name	Schema Use	Description	Recommended Use	Format
AcademicSummaryType	Optional	<p>Summary Type is an indication of what is being summarized over what period of time</p> <p><i>All</i> - Summary of all courses regardless of institution</p> <p><i>SenderOnly</i> - Summary of all courses at sending institution (or recorded as if they were taken at the sending institution)</p> <p><i>TransferOnly</i> - Summary of transfer work (courses taken at other than the sending institution)</p> <p><i>AllNotRepeated</i> - Summary of all courses except for repeated or forgiven courses/credits</p> <p><i>SenderNotRepeated</i> - Summary of all courses at sending institution except for repeated or forgiven courses/credits</p> <p><i>TransferNotRepeated</i> - Summary of transfer work except for repeated or forgiven courses/credits</p> <p><i>AcademicRenewal</i> - Subset of forgiven courses</p> <p><i>CarryoverCredit</i> - Summary from offline records and used as the initial point for cumulatives and averages</p> <p><i>DegreeApplicable</i> - Summary of courses that apply to degree</p> <p><i>NonDegreeApplicable</i> - Summary of courses that do not apply toward degree</p> <p><i>ConvertedFrom</i> - Summary of credits before an institutional term-basis conversion, such as from quarters to semesters</p> <p><i>ConvertedTo</i> - Summary of credits after an institutional term-basis conversion, such as from quarters to semesters</p> <p><i>Weighted</i> – Summary that gives additional (higher) value to specific courses taken by a student, such as honors courses, International Baccalaureate, Advanced Placement, high school/college dual enrollment.</p> <p><i>NonWeighted</i> – Summary that does not give additional value to courses, regardless of special characteristics of the courses. For example, if the grading scale is from 0 to 4.00, then it is not possible to have a summary higher than 4.00.</p> <p><i>UserDefined</i> - Use NoteMessage for explanation</p> <p><i>Cumulative</i> – Includes all courses taken by the student up to and</p>	Recommended	<p>minOcc 0 maxOcc 1</p> <p><b>Enumerations:</b> All SenderOnly TransferOnly AllNotRepeated SenderNotRepeated TransferNotRepeated AcademicRenewal CarryoverCredit DegreeApplicable NonDegreeApplicable ConvertedFrom ConvertedTo Weighted NonWeighted UserDefined Cumulative</p>



Tag Name	Schema Use	Description	Recommended Use	Format
		including the current session		
AcademicSummaryLevel	Optional	The level of credit associated with the credit hours earned for the course.	Not Recommended	minOcc 0 maxOcc 1  <b>Enumerations:</b> SeventhGrade EighthGrade NinthGrade TenthGrade EleventhGrade TwelfthGrade Grade13 DualHighSchoolCollege Secondary TechnicalPreparatory Vocational Ungraded
GPA	Optional	GPA for this Academic Summary	Recommended	minOcc 0 maxOcc 1
<b>Comment:</b> This complex data element will be expanded on page 119 which follows in this Guide.				
AcademicHonors	Optional Repeatable	Academic Honors for this Academic Summary	Optional	minOcc 0 maxOcc ∞
<b>Comment:</b> This complex data element will be expanded on page 122 which follows in this Guide.				
ClassRank	Optional	The student's class rank relative to other students in their academic cohort (e.g. class).	Recommended	minOcc 0 maxOcc 1 minInclusive 1 maxInclusive 9999 totalDigits 4
<b>Comment:</b> The Workgroup that developed the PESC XML High School Transcript Schema recommends that this is the most appropriate place in the Schema to include the student's overall rank in class. The student ranking the highest in the class would have a rank of "1".				
ClassSize	Optional	The numeric size of the academic cohort (e.g. class).	Recommended	minOcc 0 maxOcc 1 minInclusive 1 maxInclusive 9999 totalDigits 4
<b>Comment:</b> If there were 753 students in the student's class and they were ranked by the high school, then this value would be "753".				
UserDefinedExtensions	Optional	A mini schema that can be used by specified trading partners, typically in a state or province or who use the same vendor	Optional	minOcc 0 maxOcc 1
<b>Comment:</b> The UserDefinedExtensions is designed for use between or among a previously agreed upon group of trading partners typically within a state or region, or among users of the same vendor. The structure of the mini schema was also previously agreed upon and can be ignored by those who are not in that group.				
NoteMessage	Optional Repeatable	Additional information about the Academic Summary	Optional	minOcc 0 maxOcc ∞ minLength 1 maxLength 80
<b>Comment:</b> If the class rank and class size in this complex data element are included in the transcript, then this note message could be used to specify the cohort and/or date of the ranking.				
HighSchoolCreditSummary	Optional	Academic Program (e.g. major) for this Academic Summary	Optional	minOcc 0 maxOcc 1
<b>Comment:</b> This complex data element will be expanded on page 123 which follows in this Guide.				
AcademicProgram	Optional	Academic Program (e.g. major) for this Academic Summary	Optional	minOcc 0 maxOcc 1
<b>Comment:</b> This is the appropriate place to list the student's current major or degree objective. This complex data element will be				

Tag Name	Schema Use	Description	Recommended Use	Format
<i>expanded on page 126 which follows in this Guide.</i>				
Delinquencies	Optional Repeatable	<p>The academic standing of the student upon transfer to the institution.</p> <p><i>ExclusionAcademic</i> – Typically, this category is used when the student had previously been suspended because of low GPA and action is taken because of continued low grade average. Typically, the student must apply for reinstatement which is not automatic.</p> <p><i>ExclusionDiscipline</i> -- Typically, this category is used when the student had previously been suspended because of disciplinary reasons and action is taken because of continued disciplinary problems. Typically, the student must apply for reinstatement which is not automatic.</p> <p><i>GoodStanding</i> - Student was in good standing</p> <p><i>ProbationGPA</i> - Student was on academic probation (because of low GPA)</p> <p><i>ProbationHours</i> - Student was on academic probation (deficiency in credit hours)</p> <p><i>SuspensionGPA</i> - Student was on academic suspension (because of low GPA)</p> <p><i>SuspensionHours</i> - Student was on academic suspension (deficiency in credit hours)</p> <p><i>ProbationDiscipline</i> - Student was on disciplinary probation</p> <p><i>SuspensionDiscipline</i> - Student was on disciplinary suspension</p> <p><i>Unknown</i></p> <p><i>Other</i></p>	Not Recommended	<p>minOcc 0 maxOcc ∞</p> <p><b>Enumerations:</b> ExclusionAcademic ExclusionDiscipline GoodStanding ProbationGPA ProbationHours SuspensionGPA SuspensionHours ProbationDiscipline SuspensionDiscipline Unknown Other</p>
<b>Comment:</b> It is recommended that probation not be included on the transcript since there is no universally accepted definition of probation, and that other Delinquencies be included at the Session level. AACRAO recommends that probation not be included on the College Transcript, but AACRAO does not make recommendations about the content of the high school transcript.				
EntryDate	Optional	The date on which the student officially was admitted to the school or when the student first attended the school.	Optional	<p>minOcc 0 maxOcc 1</p> <p>xs:date formatted as ccyymm-dd</p>
<b>Comment:</b> This date would typically be the date of graduation for students who did graduate. If the student did not graduate, it would be the last date of known attendance. The date format is ccyymm-dd.				
ExitDate	Optional	The date on which the student officially withdrew or graduated	Optional	<p>minOcc 0 maxOcc 1</p> <p>xs:date formatted as ccyymm-dd</p>
<b>Comment:</b> This date would typically be the date of graduation for students who did graduate. If the student did not graduate, it would be the last date of known attendance. The date format is ccyymm-dd.				
ExitReasonCode	Optional	The reason the student stopped attending. It is a code set approved by the US Department of Education's National Center for Education Statistics and is included in the NCES	Optional	<p>minOcc 0 maxOcc 1</p> <p><b>Enumerations:</b> 1907 1908</p>

Tag Name	Schema Use	Description	Recommended Use	Format
		<p>Handbook.</p> <p>The enumerated values are</p> <p><b>1907</b> – Student is in a different public school in the same local education agency</p> <p><b>1908</b> – Transferred to a public school in a different local education agency in the same state</p> <p><b>1909</b> – Transferred to a public school in a different state</p> <p><b>1910</b> – Transferred to a private, non-religiously-affiliated school in the same local education agency</p> <p><b>1911</b> – Transferred to a private, non-religiously-affiliated school in a different local education agency in the same state</p> <p><b>1912</b> – Transferred to a private, non-religiously-affiliated school in a different state</p> <p><b>1913</b> – Transferred to a private, religiously-affiliated school in the same local education agency</p> <p><b>1914</b> – Transferred to a private, religiously-affiliated school in a different local education agency in the same state</p> <p><b>1915</b> – Transferred to a private, religiously-affiliated school in a different state</p> <p><b>1916</b> – Transferred to a school outside of the country</p> <p><b>1917</b> – Transferred to an institution</p> <p><b>1918</b> – Transferred to home schooling</p> <p><b>1919</b> – Transferred to a charter school</p> <p><b>1921</b> – Graduated with regular, advanced, International Baccalaureate, or other type of diploma</p> <p><b>1922</b> – Completed school with other credentials</p> <p><b>1923</b> – Died or is permanently incapacitated</p> <p><b>1924</b> – Withdrawn due to illness</p> <p><b>1925</b> – Expelled or involuntarily withdrawn</p> <p><b>1926</b> – Reached maximum age for services</p> <p><b>1927</b> – Discontinued schooling</p> <p><b>1928</b> – Completed grade 12, but did not meet all graduation requirements</p> <p><b>1930</b> – Enrolled in a postsecondary early admission program, eligible to return</p> <p><b>1931</b> – Not enrolled, unknown status</p>	<p>1909 1910 1911 1912 1913 1914 1915 1916 1917 1918 1919 1920 1921 1922 1923 1924 1925 1926 1927 1928 1930 1931 3499 3500 3501 3502 3503 3504 3505 3508 3509 9999</p>	

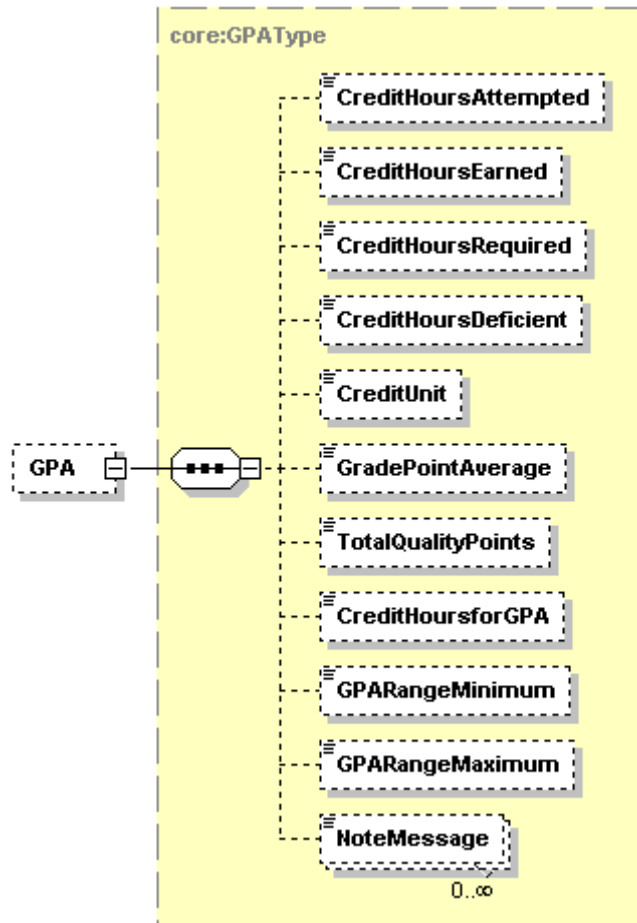
Tag Name	Schema Use	Description	Recommended Use	Format
		<p><b>3499</b> – Student is in the same local education agency and receiving education services, but is not assigned to a particular school</p> <p><b>3500</b> – Enrolled in an adult education or training program</p> <p><b>3501</b> – Completed a state-recognized vocational education program</p> <p><b>3502</b> – Not enrolled, eligible to return</p> <p><b>3503</b> – Enrolled in a foreign exchange program, eligible to return</p> <p><b>3504</b> – Withdrawn from school, under the age for compulsory attendance; eligible to return</p> <p><b>3505</b> -- Exited</p> <p><b>3508</b> – Student is in a charter school managed by the same local education agency</p> <p><b>3509</b> – Completed with a state-recognized equivalency certifier</p> <p><b>9999</b> -- Other</p>		
ClassRankSessionCount	Optional	The number of sessions of coursework included in the ranking of the student in the class	Optional	minOcc 0 maxOcc 1 minInclusive 1 maxInclusive 9999
<p><b>Comment:</b> The three optional data elements which follow are part of an optional choice. No more than one of the three data elements which follow may be included in the instance document.</p>				
ClassRankDate	Optional Choice	The date on which the student was included in the class ranking and the class was ranked	Optional Choice	minOcc 0 maxOcc 1 xs:date formatted as ccyy-mm-dd
ClassRankYear	Optional Choice	The year on which the student was included in the class ranking and the class was ranked	Optional Choice	minOcc 0 maxOcc 1 xs:gYear formatted as ccyy
ClassRankYearMonth	Optional Choice	The year and month in which the student was included in the class ranking and the class was ranked	Optional Choice	minOcc 0 maxOcc 1 xs:gYearMonth formatted as ccyy-mm
<p><b>Comment:</b> This portion of the XML High School Transcript is the place for the overall summary of the student's entire high school academic record.</p>				

## Student.AcademicRecord.AcademicSummary (Continued)

Code illustration:

```
<AcademicSummary>
  <AcademicSummaryType>All</AcademicSummaryType>
  <AcademicSummaryLevel>TwelfthGrade</AcademicSummaryLevel>
  <GPA>
    </GPA>
  <AcademicHonors>
    </AcademicHonors>
  <ClassRank>1</ClassRank>
  <ClassSize>753</ClassSize>
  <UserDefinedExtensions/>
  <NoteMessage>Class ranking was of all seniors at the end of the twelfth semester.</NoteMessage>
  <HighSchoolCreditSummary>
    </HighSchoolCreditSummary>
  <AcademicProgram>
    </AcademicProgram>
  <Delinquencies />
  <EntryDate/>
  <ExitDate/>
  <ExitReasonCode/>
  <ClassRankSessionCount>8</ClassRankSessionCount>
  <ClassRankYear>2009</ClassRankYear>
</AcademicSummary>
```

## Student.AcademicRecord.AcademicSummary.GPA



Tag Name	Schema Use	Description	Recommended Use	Format
CreditHoursAttempted	Optional	The total value of credit hours attempted whether or not included in the hours for GPA or hours earned.	Recommended	minOcc 0 maxOcc 1 xs:decimal
<p><b>Comment:</b> This would include the credit value of a course from which the student withdrew, if it appears on the transcript. So if a student had enrolled in 20 Carnegie Units which are all included in this summary and are on the transcript, and had passed 10 units and withdrawn from 10 units, then the value of this field would be "20". If the student had enrolled for 10.5 units that are included on the transcript, then the value of this field would be "10.5".</p>				
CreditHoursEarned	Optional	The total value of credit hours successfully completed or earned.	Recommended	minOcc 0 maxOcc 1 xs:decimal
<p><b>Comment:</b> If the student had earned 15 Carnegie Units and they all counted in this academic summary, then the value of this data element would be "15". If only 4.5 units were earned, then the value would be "4.5".</p>				
CreditHoursRequired	Optional	The total value of credit hours that are required for a student to earn a diploma	Recommended	minOcc 0 maxOcc 1 xs:decimal

Tag Name	Schema Use	Description	Recommended Use	Format
CreditHoursDeficient	Optional	The total value of credit hours that are still needed by the student to complete an award or diploma.	Recommended	minOcc 0 maxOcc 1 xs:decimal
<b>Comment:</b> If the student had earned 5 Carnegie Units and they all counted toward the diploma, then the value of this data element would be "5". If only 4.5 units were earned, then the value would be "4.5".				
CreditUnit	Optional	The type of credit (unit, semester, quarter, or Carnegie Unit) associated with the credit hours earned for the course.	Recommended	minOcc 0 maxOcc 1 <b>Enumerations:</b> NoCredit Quarter Semester Units ClockHours CarnegieUnits ContinuingEducationUnits Unreported Other
<b>Comment:</b> Note that the credit unit is not necessarily directly related to the type of session in which a course is offered. A full year course, or a semester course, or a quarter session course, may all offer Carnegie Units or Units as the credit unit.				
GradePointAverage	Optional	The value of the total quality points divided by the Credit Hours for Grade Point Average.	Recommended	minOcc 0 maxOcc 1 xs:decimal
<b>Comment:</b> For example, if the student had enrolled for 10 Carnegie Units, passed 8 units with grades of B worth 3 grade points for each Carnegie Unit, and 2 Carnegie Units with grades of F worth 0 grade points, then the calculation would be 24 grade points divided by 10 or a GPA of "2.4" or "2.40" or "2.400" depending on the policy of the sending school.				
TotalQualityPoints	Optional	The total value of quality points used for the calculation of the Grade Point Average.	Recommended	minOcc 0 maxOcc 1 xs:decimal
<b>Comment:</b> If a student earned all grades of B (worth 3 grade points for each Carnegie Unit) in 8.5 Carnegie Units, then the value of this data element would be "25.5".				
CreditHoursforGPA	Optional	The total value of credit hours used to calculate the Grade Point Average.	Recommended	minOcc 0 maxOcc 1 xs:decimal
<b>Comment:</b> If a student earned grades of A (worth 4 grades points per unit) in 3 Carnegie Units; grades of F (worth 0 points per unit) in 4 units; and withdrew from 5 units, then the total credit hours for GPA would be "7".				
GPARangeMinimum	Optional	The minimum possible Grade Point Average	Recommended	minOcc 0 maxOcc 1 xs:decimal
<b>Comment:</b> If the lowest possible grade is an F and a grade of F is valued at 0 grade points, then this value would be "0", or "0.0" or "0.00", etc.				
GPARangeMaximum	Optional	The maximum possible Grade Point Average	Recommended	minOcc 0 maxOcc 1 xs:decimal
<b>Comment:</b> If the highest possible grade is an A and a grade of A is valued at 4 grade points, then this value would be "4" or "4.0" or "4.00", etc.				
NoteMessage	Optional Repeatable	Additional information about the GPA	Not Recommended	minOcc 0 maxOcc ∞ minLength 1 maxLength 80
<b>Comment:</b> The GPA reported in this section of the Schema is an overall GPA for all courses that are included on the student transcript.				

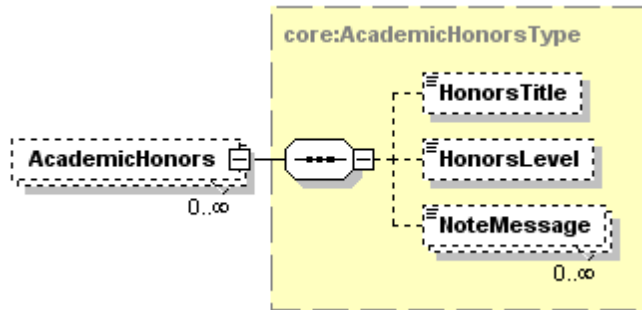
## Student.AcademicRecord.AcademicAward.AcademicSummary.GPA (Continued)

Code illustration:

```
<GPA>
  <CreditHoursAttempted>22</CreditHoursAttempted>
  <CreditHoursEarned>20</CreditHoursEarned>
  <CreditHoursRequired>23</CreditHoursRequired>
  <CreditHoursDeficient>3</CreditHoursDeficient>
  <CreditUnit>CarnegieUnits</CreditUnit>
  <GradePointAverage>3.41</GradePointAverage>
  <TotalQualityPoints>75</TotalQualityPoints>
  <CreditHoursforGPA>22</CreditHoursforGPA>
  <GPARangeMinimum>0</GPARangeMinimum>
  <GPARangeMaximum>4</GPARangeMaximum>
  <NoteMessage/>
</GPA>
```



## Student.AcademicRecord.AcademicSummary.AcademicHonors



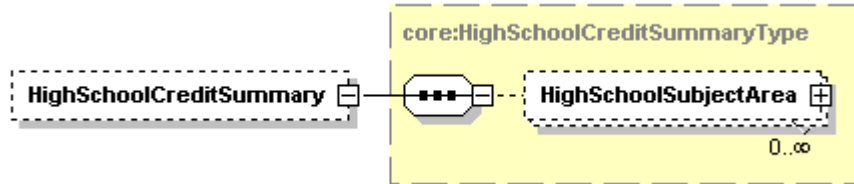
Tag Name	Schema Use	Description	Recommended Use	Format
HonorsTitle	Optional	The descriptive title for the honors received	Recommended	minOcc 0 maxOcc 1 minLength 1 maxLength 30
<b>Comment:</b> There is a variety of names for these honors in the United States. Some common ones are "Valdictorian", "Salutatorian", "With Honors", "Magna Cum Laude", etc.				
HonorsLevel	Optional	A code value representing 1st highest honor, 2nd highest and 3rd highest	Recommended	minOcc 0 maxOcc 1  <b>Enumeration:</b> FirstHighest SecondHighest ThirdHighest
<b>Comment:</b> Honors Level is critical to understanding the context of Honors Title.				
NoteMessage	Optional Repeatable	Additional information about the Academic Honors	Not Recommended	minOcc 0 maxOcc ∞ minLength 1 maxLength 80
<b>Comment:</b> This would be one appropriate place in the Schema to include honors not specifically tied to the diploma awarded. Examples might be "AP Scholars", "Sigma Alpha Tau", etc.				

Code illustration:

```

<AcademicHonors>
  <HonorsTitle>Sigma Alpha Tau</HonorsTitle>
  <HonorsLevel>FirstHighest</HonorsLevel>
  <NoteMessage>For seniors earning a composite SAT score of 1,200 or higher</NoteMessage>
</AcademicHonors>
  
```

## Student.AcademicRecord.AcademicSummary. HighSchoolCreditSummary



Tag Name	Schema Use	Description	Recommended Use	Format
HighSchoolSubjectArea	Optional Repeatable	The part of the high school curriculum area that is to be described and summarized	Recommended	minOcc 0 maxOcc ∞

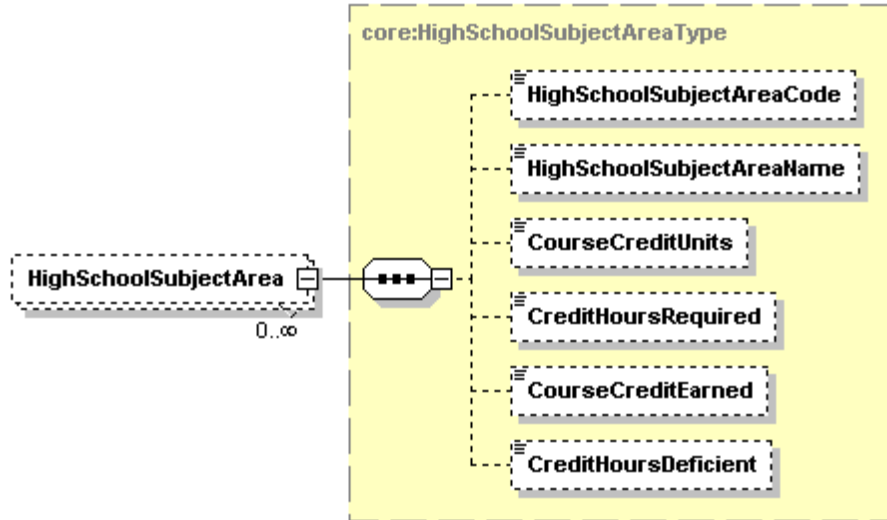
**Comment.** This complex data element will be expanded on page 124 which follows in this Guide.

Code illustration:

```
<HighSchoolCreditSummary>
  <HighSchoolSubjectArea>

  </HighSchoolSubjectArea>
</HighSchoolCreditSummary>
```

Student.AcademicRecord.AcademicSummary.  
HighSchoolCreditSummary.HighSchoolSubjectArea



Tag Name	Schema Use	Description	Recommended Use	Format
HighSchoolSubjectAreaCode	Optional	This simple data element describes major areas of the high school curriculum	Recommended	minOcc 0 maxOcc 1  <b>Enumerations:</b> AcademicElective Arts English ForeignLanguage HistorySocialScience LabScience Math Other Science
HighSchoolAreaName	Optional	The name of the major area of the high school curriculum	Recommended	minOcc 0 maxOcc 1 minLength 1 maxLength 30
<b>Comment:</b> It would not be necessary to include this data element if the high school names its curriculum area the same as the enumerated value in the previous data element. If not, it might be helpful to include the name of the area as used at the sending high school.				
CourseCreditUnits	Optional	The type of credits used at the high school	Recommended	minOcc 0 maxOcc 1  <b>Enumerations:</b> NoCredit Quarter Semester Units ClockHours CarnegieUnits ContinuingEducationUnits Unreported Other
CreditHoursRequired	Optional	The number of credit units needed to satisfy the graduation requirements in this area	Recommended	minOcc 0 maxOcc 1  The format is decimal up to 3 decimal places

Tag Name	Schema Use	Description	Recommended Use	Format
CreditHoursEarned	Optional	The number of credit units that the student has earned up to this point in time in this curriculum area	Recommended	minOcc 0 maxOcc 1 The format is decimal up to 3 decimal places
CreditHoursDeficient	Optional	The number of credit units that the student still needs to complete in this curriculum area in order to receive the award or diploma	Recommended	minOcc 0 maxOcc 1 The format is decimal up to 3 decimal places

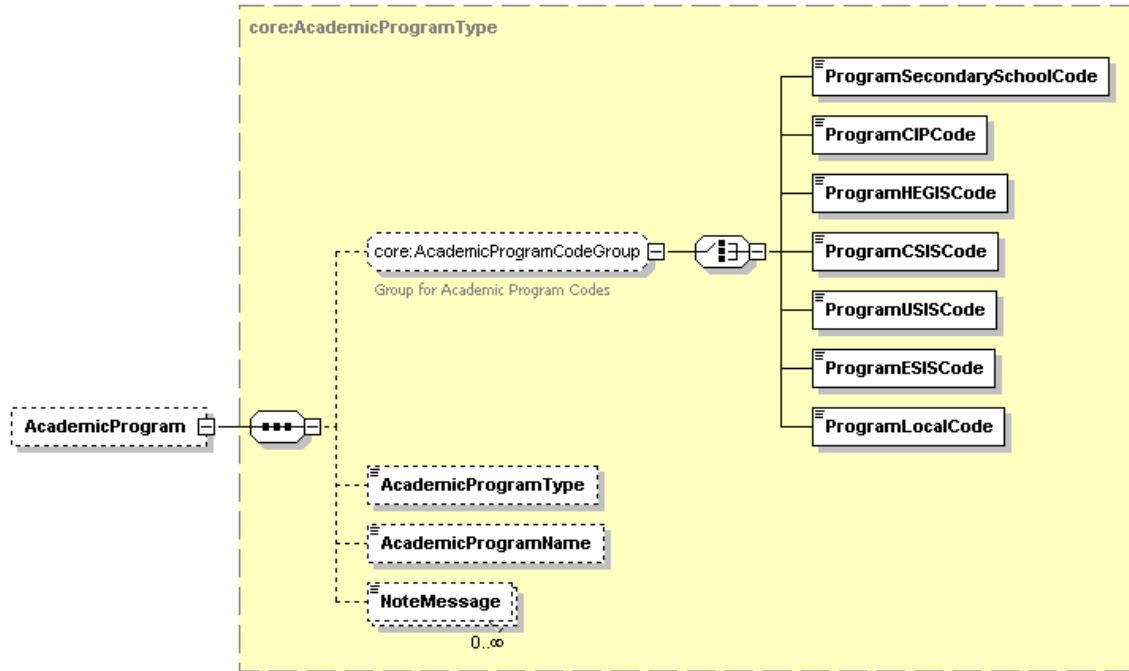
Code illustration:

```

<HighSchoolSubjectArea>
  <HighSchoolSubjectAreaCode>Math</HighSchoolSubjectAreaCode>
  <HighSchoolSubjectAreaName>Higher Mathematics</HighSchoolSubjectAreaName>
  <CourseCreditUnits>CarnegieUnits</CourseCreditUnits>
  <CreditHoursRequired>3</CreditHoursRequired>
  <CourseCreditEarned>1.5</CourseCreditEarned>
  <CreditHoursDeficient>1.5</CreditHoursDeficient>
</HighSchoolSubjectArea>

```

### Student.AcademicRecord.AcademicSummary.AcademicProgram



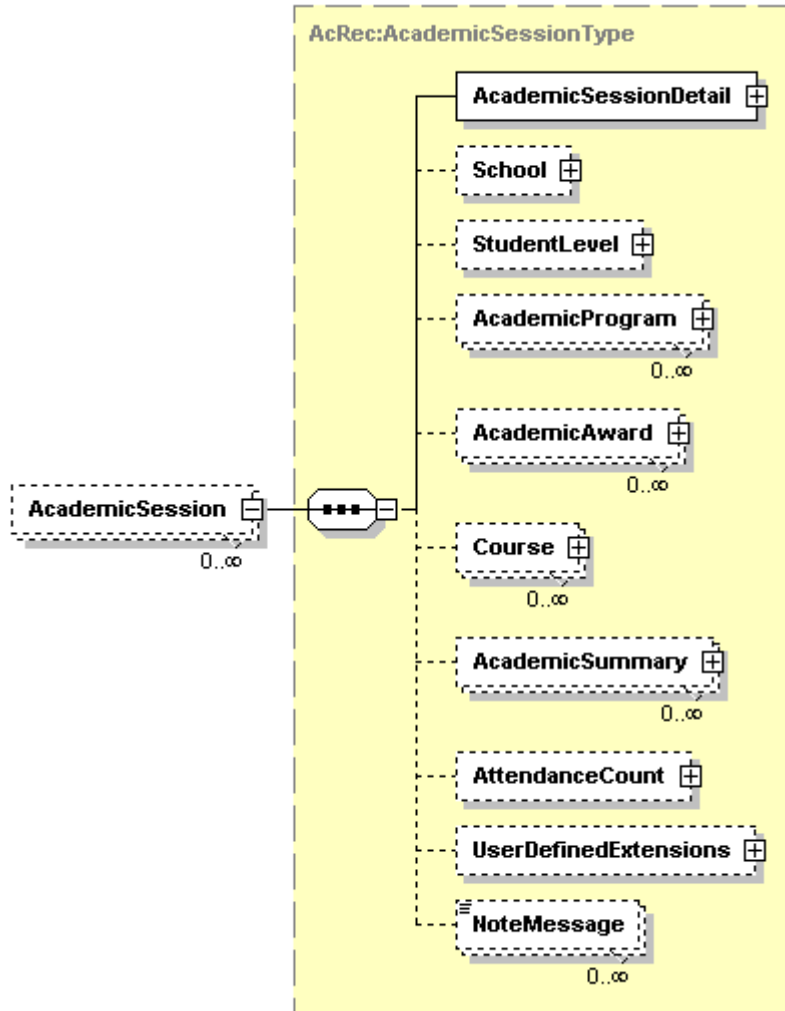
Tag Name	Schema Use	Description	Recommended Use	Format
ProgramSecondarySchoolCode	Optional exclusive choice	Code that describes a program of study taken by secondary school students	Recommended	minOcc 0 maxOcc 1 <b>Enumerations:</b> CareerPrep CollegePrep CollegePrepOrCollegeTechPrep CollegeTechPrep General Occupational Vocational
ProgramCIPCode	Optional exclusive choice	Code indicating a discipline or field of study assigned by the Classification of Instructional Programs	Not Recommended	minOcc 0 maxOcc 1 minLength 6 maxLength 20
ProgramHEGISCode	Optional exclusive choice	Code indicating a discipline or field of study assigned by Higher Education General Information Survey	Not Recommended	minOcc 0 maxOcc 1 minLength 6 maxLength 20
ProgramCSISCode	Optional exclusive choice	Code indicating a discipline or field of study assigned by Statistics Canada Canadian College Student Information System	Not Recommended	minOcc 0 maxOcc 1 minLength 5 maxLength 5
ProgramUSISCode	Optional exclusive choice	Code indicating a discipline or field of study assigned by the Statistics Canada University Student Information System.	Not Recommended	minOcc 0 maxOcc 1 minLength 5 maxLength 5

Tag Name	Schema Use	Description	Recommended Use	Format
ProgramESISCode	Optional exclusive choice	Code indicating a discipline or field of study assigned by the Statistics Canada Enhanced Student Information System.	Not Recommended	minOcc 0 maxOcc 1 minLength 1 maxLength 20
ProgramLocalCode	Optional exclusive choice	This is a code typically created and used within a school or school district	Optional	minOcc 0 maxOcc 1 minLength 1 maxLength 20
<b>Comment:</b> While this local code would be appropriate for use within a school, school district or perhaps even a state, it would not be a good code set for general use.				
AcademicProgramType	Optional	Indicates whether the academic program is a major, minor, area of concentration or specialization.	Optional	minOcc 0 maxOcc 1  <b>Enumerations:</b> Concentration Focus Major Minor SecondMajor Specialization
AcademicProgramName	Optional	Literal name of program, major, or field of study.	Recommended	minOcc 0 maxOcc 1 minLength 1 maxLength 60
NoteMessage	Optional Repeatable	Additional information about the Academic Program	Not Recommended	minOcc 0 maxOcc ∞ minLength 1 maxLength 80

Code illustration:

```
<AcademicProgram>
  <ProgramSecondarySchoolCode>General</ProgramSecondarySchoolCode>
  <AcademicProgramType>Major</AcademicProgramType>
  <AcademicProgramName>General Transfer</AcademicProgramName>
  <NoteMessage/>
</AcademicProgram>
```

## Student.AcademicRecord.AcademicSession



Tag Name	Schema Use	Description	Recommended Use	Format
AcademicSessionDetail	Required	Information identifying the time period for the beginning of this session	Required	minOcc 1 maxOcc 1
<p><b>Comment:</b> The Session Designator within the Academic Session Detail is used to indicate the starting year and month of major academic terms or sessions within the sending school's calendar. For example, a typical fall term would begin in August or September. So, for a fall term that began in August of the year 2005, the value of this field would be "2005-08". All classes that began in this month and year would normally be included within this session designator, regardless of the ending dates of the classes within this session. Therefore, all classes with this same session designator would be included in the academic summary for this session. It is also possible for other courses that began later than the month and year noted here, might also have this same session designator, if they are generally considered to be within the academic session or term.</p> <p>This complex data element will be expanded on page 131 which follows.</p>				
School	Optional	Override School	Conditional	minOcc 0 maxOcc 1
<p><b>Comment:</b> Recommended when the school for this AcademicSession differs from the Sending institution. Not Recommended when this AcademicSession belongs to the Sending institution. This complex data element will be expanded on page 133 which follows.</p>				

Tag Name	Schema Use	Description	Recommended Use	Format
StudentLevel	Optional	An indication of the classification of the student at the time of this Academic Session	Optional	minOcc 0 maxOcc 1
<b>Comment:</b> This complex data element will be expanded on page 150 which follows in this Guide.				
AcademicProgram	Optional Repeatable	The major or degree objectives for the student at the time of this session	Optional	minOcc 0 maxOcc ∞
<b>Comment:</b> This complex data element will be expanded on page 151 which follows in this Guide.				
AcademicAward	Optional Repeatable	Academic awards associated with this session	Not Recommended	minOcc 0 maxOcc ∞
<b>Comment:</b> The developers of the PESC High School Transcript Schema recommend that the most appropriate place in the schema to indicate the award of the high school diploma is at the highest level of the schema, which is Student.AcademicRecord.AcademicAward. We recommend only awards that are earned as a result of this session be included here. This complex data element will be expanded on page 153 which follows in this Guide.				
Course	Optional Repeatable	Education courses associated with this session	Recommended	minOcc 0 maxOcc ∞
<b>Comment:</b> This complex data element will be expanded on page 178 which follows in this Guide.				
AcademicSummary	Optional Repeatable	Academic summary for this session	Optional	minOcc 0 maxOcc ∞
<b>Comment:</b> This complex data element will be expanded on page 215 which follows in this Guide.				
AttendanceCount	Optional Repeatable	Attendance recorded as days (or partial days) present or absent	Optional	minOcc 0 maxOcc 1
<b>Comment:</b> This complex data element will be expanded on page 231 which follows in this Guide.				
UserDefinedExtensions	Optional	This is a mini schema of previously agreed upon formatted data about the session. It is used by a group of previously agreed upon users, frequently within a state or among the users of a particular vendor	Optional	minOcc 0 maxOcc 1
NoteMessage	Optional Repeatable	Additional information about the academic session	Not Recommended	minOcc 0 maxOcc ∞ minLength 1 maxLength 80

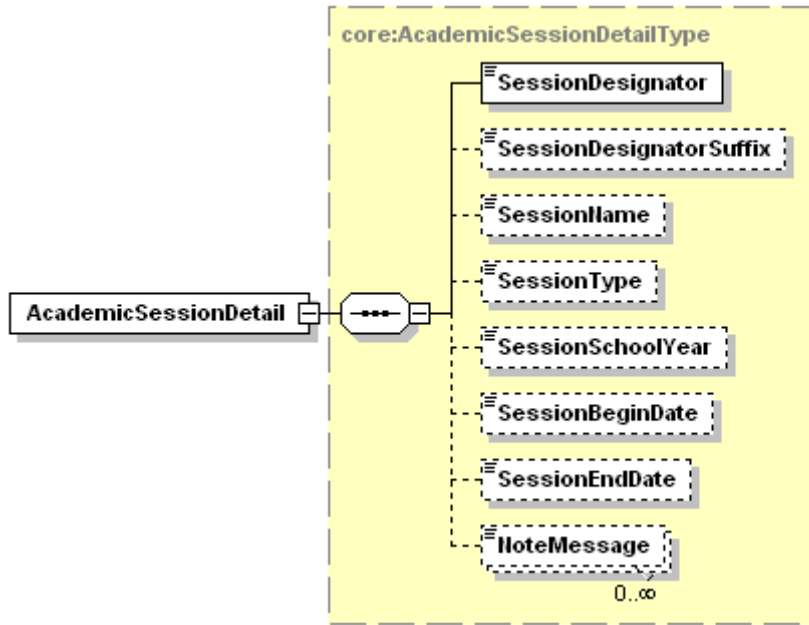


## Student.AcademicRecord.AcademicSession (Continued)

Code illustration:

```
<AcademicSession>
  <AcademicSessionDetail>
    </AcademicSessionDetail>
    <School>
    </School>
    <StudentLevel>
    </StudentLevel>
    <AcademicProgram>
    </AcademicProgram>
    <AcademicAward>
    </AcademicAward>
    <Course>
    </Course>
    <Course>
    </Course> [repeat as needed]
    <AcademicSummary>
    </AcademicSummary>
    <AttendanceCount>
    </AttendanceCount>
    <UserDefinedExtensions/>
    <NoteMessage />
  </AcademicSession>
```

### Student.AcademicRecord.AcademicSession.AcademicSessionDetail



Tag Name	Schema Use	Description	Recommended Use	Format
SessionDesignator	Required	The academic session for which the data are recorded and applicable.	Required	minOcc 1 maxOcc 1 Format is xs:GYearMonth (or ccyy-mm)
<p><b>Comment:</b> The Session Designator is used to indicate the starting year and month of major academic terms within the sending school's calendar. For example, a typical fall term would begin in August or September. So, for a fall term that began in August of the year 2005, the value of this field would be "2005-08". All classes that began in this month and year would normally be included within this session designator, regardless of the ending dates of the classes within this session. Therefore, all classes with this same session designator would be included in the academic summary for this session. It is also possible for other courses that began later than the month and year noted here, might also have this same session designator, if they are generally considered to be within the academic session or term.</p>				
SessionDesignatorSuffix	Optional	A free form extension to the session ID to differentiate discreet sub-sessions within the same session	Optional	minOcc 0 maxOcc 1 minLength 1 maxLength 10
<p><b>Comment:</b> If you have a mini term or short term within the major term, you can use this field to identify those classes. They could be identified with different beginning or ending dates, but they would still be a part of the major session designator. Typical entries in this field might be "Mini Term", "Term A", "Term B", "Session 1". It would probably be unusual for a high school to include this field.</p>				
SessionName	Optional	Free-form name of session.	Recommended	minOcc 0 maxOcc 1 minLength 1 maxLength 30
<p><b>Comment:</b> For example, "Fall Semester 2002" or "Fall Semester 2003" or "Fall Semester 2002-2003".</p>				

Tag Name	Schema Use	Description	Recommended Use	Format
SessionType	Optional	Indicates the type of academic session at an educational institution.	Recommended	minOcc 0 maxOcc 1  <b>Enumerations:</b> FullYear Semester Trimester Quarter Quinmester MiniTerm SummerSession Intersession LongSession FallSession FourOneFourPlan Continuous DiffersByProgram Other TwelveMonth
<i><b>Comment:</b> This is the type of calendar used by the sending school. It does not refer to the type of units of credit awarded.</i>				
SessionSchoolYear	Optional	This is the range of years that are considered to be a school year.	Optional	minOcc 0 maxOcc 1 Format would be cyy-ccyy
<i><b>Comment:</b> The appropriate values are a range of years. The format would be cyy-ccyy. A typical example would be the school year "2004-2005".</i>				
SessionBeginDate	Optional	Actual calendar date when session begins.	Optional	minOcc 0 maxOcc 1 xs:date
<i><b>Comment:</b> An example for a fall term might be "2005-08-22". The date format is cyy-mm-dd.</i>				
SessionEndDate	Optional	Actual calendar date when session ends.	Optional	minOcc 0 maxOcc 1 xs:date
<i><b>Comment:</b> An example for a fall term end date might be "2005-12-16" or "2006-01-18".</i>				
NoteMessage	Optional Repeatable	Additional information about the Academic Session	Not Recommended	minOcc 0 maxOcc ∞ minLength 1 maxLength 80

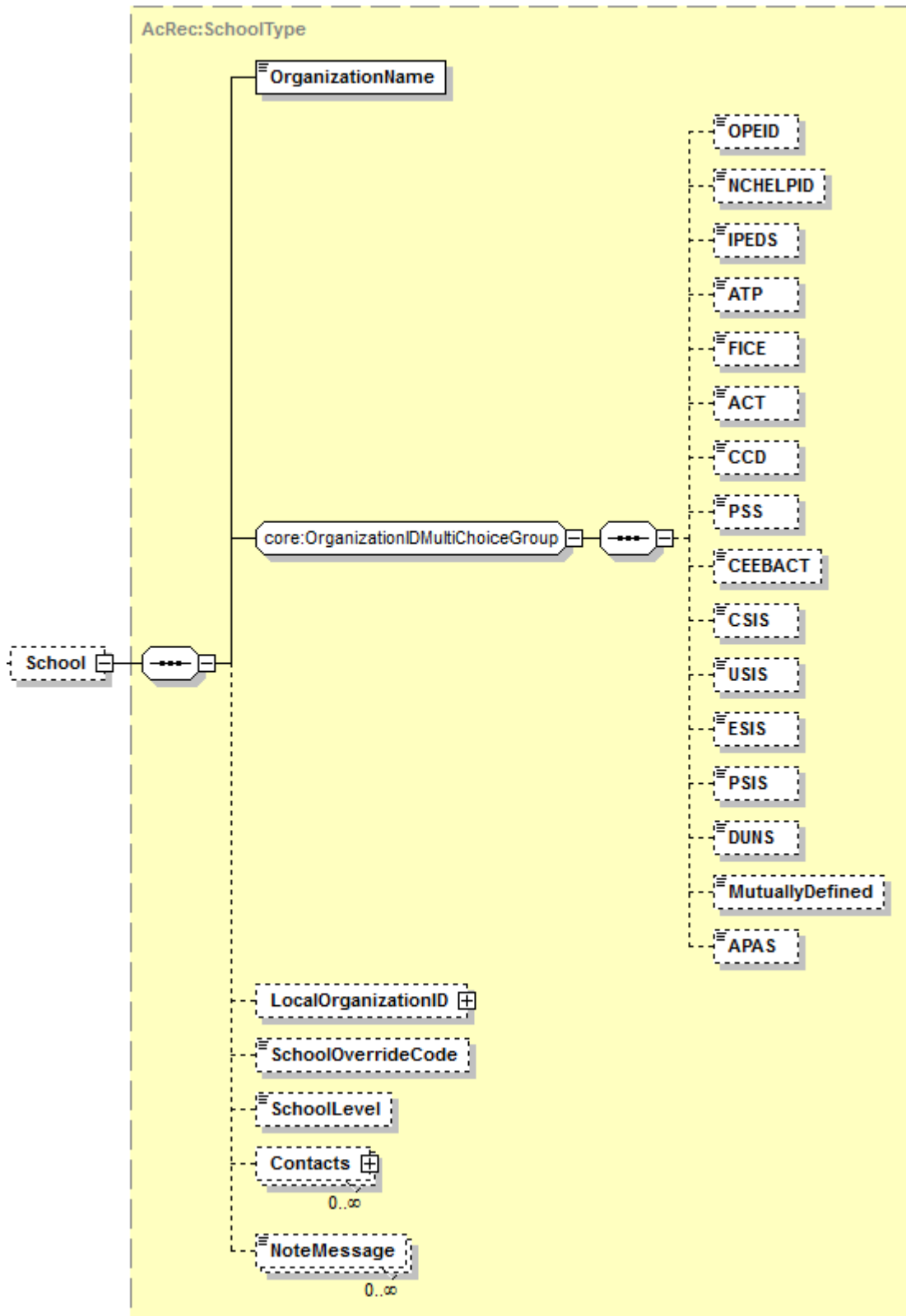
Code illustration:

```

<AcademicSessionDetail>
  <SessionDesignator>2005-08</SessionDesignator>
  <SessionDesignatorSuffix>1</SessionDesignatorSuffix>
  <SessionName>Fall Semester 2005</SessionName>
  <SessionType>Semester</SessionType>
  <SessionSchoolYear>2005-2006</SessionSchoolYear>
  <SessionBeginDate>2005-08-22</SessionBeginDate>
  <SessionEndDate>2005-12-16</SessionEndDate>
  <NoteMessage/>
</AcademicSessionDetail>

```

### Student.AcademicRecord.AcademicSession.School



## Student.AcademicRecord.AcademicSession.School (Continued)

Tag Name	Schema Use	Description	Recommended Use	Format
OrganizationName	Required	Name of Override School	Required	minOcc 1 maxOcc 1 minLength 1 maxLength 60
<b>Comment:</b> The group core:OrganizationIDMultichoiceGroup is not an XML tag and does not appear in an instance document. However, it allows multiple code sets to be used to identify the override school shown here. So if an override school is being used to show a school (other than the school indicated in this AcademicRecord) where a student took courses, a code for that override school can be included for as many code sets as are known for that override school.				
OPEID	Optional choice	The unique identifier assigned by the Office of Postsecondary Education for each data exchange partner.	Not Recommended	minOcc 0 maxOcc 1 minLength 3 maxLength 8
<b>Comment:</b> The OPEID would only be an appropriate choice if the courses taken in this session were taken at a postsecondary institution.				
NCHELPID	Optional choice	The unique identifier assigned by National Council on Higher Education Loan Programs for each data exchange partner.	Not Recommended	minOcc 0 maxOcc 1 minLength 3 maxLength 8
<b>Comment:</b> The NCHELPID is not an appropriate code set for the High School Transcript				
IPEDS	Optional choice	The unique identifier assigned by the National Center for Education Statistics for the Integrated Postsecondary Education Data System for each postsecondary data exchange partner.	Not Recommended	minOcc 0 maxOcc 1 minLength 6 maxLength 6
<b>Comment:</b> The IPEDS would only be an appropriate choice if the courses taken in this session were taken at a postsecondary institution.				
ATP	Optional choice	The unique identifier assigned for the Admissions Testing Program by the College Board for each postsecondary data exchange partner.	Not Recommended	minOcc 0 maxOcc 1 minLength 6 maxLength 6
<b>Comment:</b> The ATP would only be an appropriate choice if the courses taken in this session were taken at a postsecondary institution.				
FICE	Optional choice	The unique identifier assigned for the Federal Interagency Committee on Education by the US Department of Education's National Center for Education Statistics for each postsecondary data exchange partner	Not Recommended	minOcc 0 maxOcc 1 minLength 6 maxLength 6
<b>Comment:</b> The FICE would only be an appropriate choice if the courses taken in this session were taken at a postsecondary institution.				
ACT	Optional choice	The unique identifier assigned by the American College Testing or ACT for each postsecondary data exchange partner. See www.act.org.	Not Recommended	minOcc 0 maxOcc 1 minLength 4 maxLength 4
<b>Comment:</b> The ACT would only be an appropriate choice if the courses taken in this session were taken at a postsecondary institution.				

Tag Name	Schema Use	Description	Recommended Use	Format
CCD	Optional choice	The unique identifier assigned by the US Department of Education's National Center for Education Statistics as the Common Core of Data for each K12 data exchange partner.	Recommended choice	minOcc 0 maxOcc 1 minLength 12 maxLength 12
<b>Comment:</b> The CCD would be an appropriate choice if the courses taken in this session were taken at another secondary school.				
PSS	Optional choice	The unique identifier assigned by the US Department of Education's National Center for Education Statistics for private K12 schools in the US.	Recommended choice	minOcc 0 maxOcc 1 minLength 8 maxLength 8
<b>Comment:</b> The PSS would be an appropriate choice if the courses taken in this session were taken at another secondary school.				
CEEBACT	Optional choice	The unique identifier assigned by the College Entrance Examining Board and ACT for each data exchange partner.	Recommended choice	minOcc 0 maxOcc 1 minLength 6 maxLength 6
<b>Comment:</b> The CEEBACT would be an appropriate choice if the courses taken in this session were taken at another secondary institution.				
CSIS	Optional choice	The unique identifier assigned by the Statistics Canada Canadian College Student Information System for each data exchange partner in Canada	Not Recommended	minOcc 0 maxOcc 1 minLength 6 maxLength 6
<b>Comment:</b> The CSIS would only be an appropriate choice if the courses taken in this session were taken at a Canadian institution. However, this code set has now been replaced by the PSIS code set shown below.				
USIS	Optional choice	The unique identifier assigned by the Statistics Canada University Student Information System for each data exchange partner in Canada	Not Recommended	minOcc 0 maxOcc 1 minLength 6 maxLength 6
<b>Comment:</b> The USIS would only be an appropriate choice if the courses taken in this session were taken at a Canadian institution. However, this code set has now been replaced by the PSIS code set shown below.				
ESIS	Optional choice	The unique identifier assigned by the Statistics Canada Enhanced Student Information System for each data exchange partner in Canada	Not Recommended	minOcc 0 maxOcc 1 minLength 8 maxLength 8
<b>Comment:</b> The ESIS would only be an appropriate choice if the courses taken in this session were taken at a Canadian institution. However, this code set has now been replaced by the PSIS code set shown below.				
PSIS	Optional choice	The unique identifier assigned by the Statistics Canada Postsecondary Student Information System for each data exchange partner.	Not Recommended	minOcc 0 maxLength 1 minLength 8 maxLength 8
<b>Comment:</b> This code set is the latest code set by Statistics Canada to identify colleges and universities in Canada. It is not an appropriate choice to identify secondary schools.				
DUNS	Optional choice	Data Universal Numbering System (DUNS), unique nine character company identification number issued by Dun and Bradstreet Corporation.	Not Recommended	minOcc 0 maxOcc 1 minLength 9 maxLength 9
<b>Comment:</b> The DUNS number would not be an appropriate code set to use to identify the school at which high school or postsecondary school courses were taken.				

Tag Name	Schema Use	Description	Recommended Use	Format
MutuallyDefined	Optional choice	This code set could be used by prior agreement with a previously agreed upon set of trading partners, usually within a state or province, or within a group of several states or provinces.	Optional choice	minOcc 0 maxOcc 1 minLength 1 maxLength 60
<b>Comment:</b> Mutually Defined is normally used within a geographical region when a state or other agency has assigned state or regional codes for schools within the region.				
APAS	Optional choice	Identification codes used by the Alberta Post-Secondary Application System.	Optional choice	minOcc 0 maxOcc 1 minLength 2 maxLength 12
<b>Comment:</b> This is an appropriate choice for institutions in Canada.				
LocalOrganizationID	Optional	A code set typically used by a state, province or region to further identify the receiving school or agency	Optional	minOcc 0 maxOcc 1
<b>Comment:</b> This complex data element will be expanded on page 138 which follows in this Guide.				
SchoolOverrideCode	Optional	The source of the academic credit if not awarded by the home or parent institution.  Institutional - Institutional Agreement Multicampus - Multiple Campus Course Offering Transfer - Transfer Credit StudyAbroad - Study Abroad Coop - Cooperative Program Reciprocal - Reciprocal Exchange Internship - Internship	Recommended	minOcc 0 maxOcc 1  <b>Enumerations:</b> Institutional Multicampus Transfer StudyAbroad Coop Reciprocal Internship
SchoolLevel	Optional	Indicates level of Override School	Recommended	minOcc 0 maxOcc 1  <b>Enumerations:</b> Elementary HighSchool JuniorHigh Middle Other Postsecondary Secondary
Contacts	Optional Repeatable	Contact info at Override School	Optional	minOcc 0 maxOcc ∞
<b>Comment:</b> This complex data element will be expanded on page 139 which follows in this Guide.				
NoteMessage	Optional Repeatable	Additional information about the Override School	Not Recommended	minOcc 0 maxOcc ∞ minLength 1 maxLength 80
<b>Comment:</b> This entire section of the Schema would only be included if the courses taken during this session were taken at a school other than the sending school.				

## Student.AcademicRecord. AcademicSession.School (Continued)

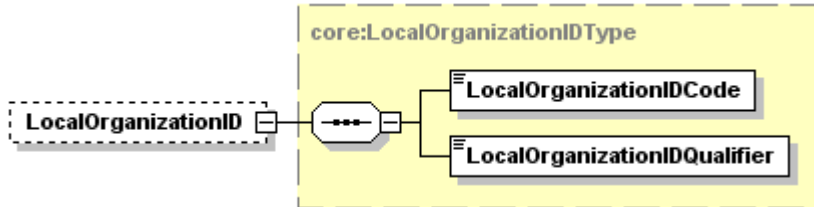
Code illustration:

```
<School>  
  <OrganizationName>New Trier Township High School</OrganizationName>  
  <CEEBACT>144430</CEEBACT>  
  <CCD>123456789012</CCD>  
  <LocalOrganizationID>  
  
  </LocalOrganizationID>  
  <SchoolOverrideCode>Transfer</SchoolOverrideCode>  
  <SchoolLevel>Secondary</SchoolLevel>  
  <Contacts>  
  
  </Contacts>  
  <NoteMessage/>  
</School>
```



## Student.AcademicRecord.AcademicSession.School. LocalOrganizationID

**Note:** Although the complex data element *LocalOrganizationID* is an optional data element, if you choose to send *LocalOrganizationID*, then you must also send both *LocalOrganizationIDCode* and also *LocalOrganizationIDQualifier*.

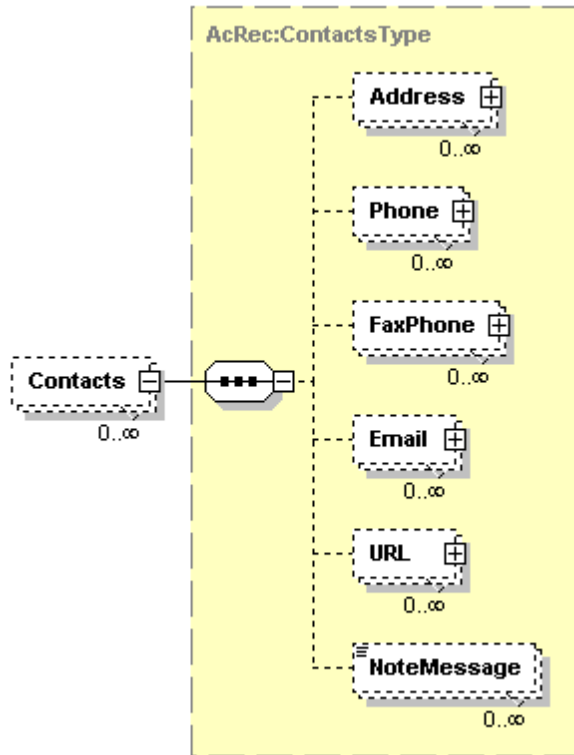


Tag Name	Schema Use	Description	Recommended Use	Format
LocalOrganizationIDCode	Required	The code assigned for the receiving school by the state, province or other mutually defined agency specified in the LocalOrganizationIDQualifier that follows.	Required	minOcc 1 maxOcc 1 minLength 1 maxLength 35
<b>Comment:</b> This is a required data element only if the LocalOrganization ID data element is sent. This is typically the administrative school code assigned by a state or province to identify the receiving school in that state.				
LocalOrganizationIDQualifier	Required	This is the state, province or other mutually defined agency that assigned the Local D Code above.	Required	minOcc 1 maxOcc 1  See Code Set in Appendix A
<b>Comment:</b> This is a required data element only if the Local Organization ID data element is sent. This is typically the state or province that assigned the code to identify the receiving school in that state.				

Code illustration:

```
<LocalOrganizationID>
  <LocalOrganizationIDCode>GA-430000356</LocalOrganizationIDCode>
  <LocalOrganizationIDQualifier>GA</LocalOrganizationIDQualifier>
</LocalOrganizationID>
```

### Student.AcademicRecord.AcademicSession.School.Contacts



Tag Name	Schema Use	Description	Recommended Use	Format
Address	Optional Repeatable	Address of the Override School	Recommended	minOcc 0 maxOcc ∞
<b>Comment:</b> This complex data element will be expanded on page 141 which follows in this Guide.				
Phone	Optional Repeatable	Phone Number of the Override School	Optional	minOcc 0 maxOcc ∞
<b>Comment:</b> This complex data element will be expanded on page 144 which follows in this Guide.				
FaxPhone	Optional Repeatable	Fax phone Number of the Override School	Optional	minOcc 0 maxOcc ∞
<b>Comment:</b> This complex data element will be expanded on page 146 which follows in this Guide.				
Email	Optional Repeatable	Email Address of the Override School	Optional	minOcc 0 maxOcc ∞
<b>Comment:</b> This complex data element will be expanded on page 148 which follows in this Guide.				
URL	Optional Repeatable	Universal Resource Locator of the Override School	Optional	minOcc 0 maxOcc ∞
<b>Comment:</b> This complex data element will be expanded on page 149 which follows in this Guide.				
NoteMessage	Optional Repeatable	Additional information about the contacts at the Override School	Not Recommended	minOcc 0 maxOcc ∞ minLength 1 maxLength 80

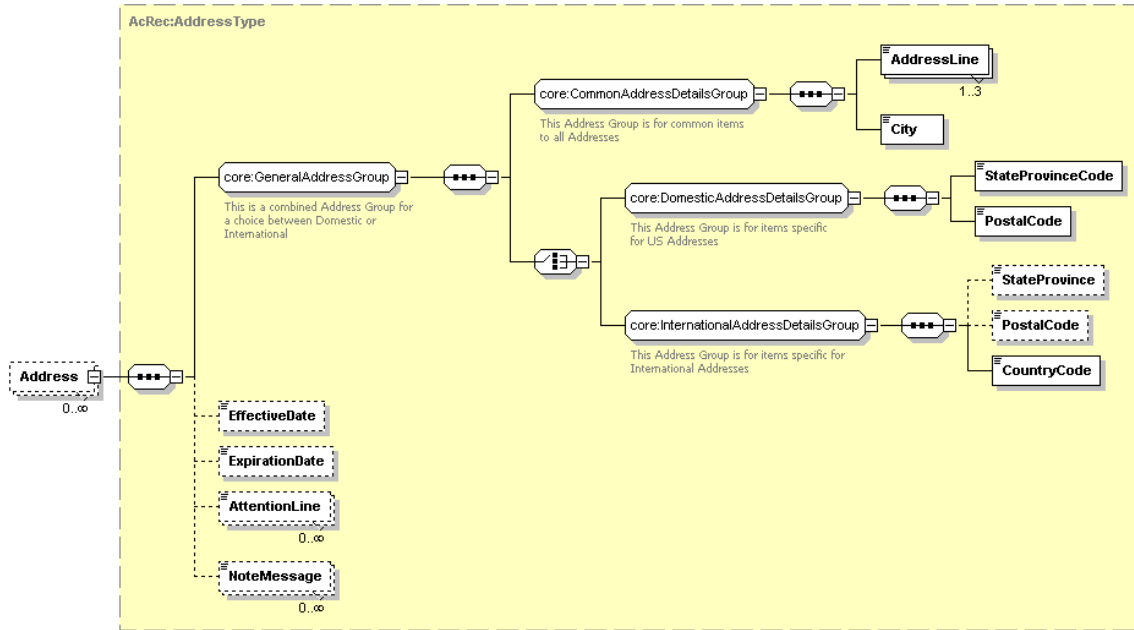
## Student.AcademicRecord. AcademicSession.School.Contacts (Continued)

Code illustration:

```
<Contacts>  
  <Address>  
  
    </Address>  
    <Phone>  
  
    </Phone>  
    <FaxPhone>  
  
    </FaxPhone>  
    <Email>  
  
    </Email>  
    <URL>  
  
    </URL>  
    <NoteMessage/>  
</Contacts>
```

## Student.AcademicRecord.AcademicSession.School.Contacts.Address

**Note:** Although the complex data element Address is an optional data element, if you choose to send the Address of the Override School in the Academic Session, then you must send AddressLine and City and also StateProvinceCode and PostalCode OR CountryCode.



Tag Name	Schema Use	Description	Recommended Use	Format
<i>GeneralAddressGroup</i>	Required	This Address Group is for items common to all Addresses	Required	minOcc 1 maxOcc 1
<b>Comment:</b> [ <i>GeneralAddressGroup</i> ] does not appear in the instance document. It requires the use of <i>CommonAddressDetailsGroup</i> and the choice of one of either <i>DomesticAddressDetailsGroup</i> or <i>InternationalAddressDetailsGroup</i> . This group is required in the schema only if you choose to send the address of the contact.				
<i>CommonAddressDetailsGroup</i>	Required	This Address Group is for items common to all Addresses	Required	minOcc 1 maxOcc 1
<b>Comment:</b> [ <i>CommonAddressDetailsGroup</i> ] does not appear in the instance document. If the address of a contact is included in the transcript, then this must be sent. It is required and must be paired with one of either <i>DomesticAddressDetailsGroup</i> or <i>InternationalAddressDetailsGroup</i> .				
AddressLine	Required Repeatable	Local delivery information such as street, building number, PO box, or apartment portion of a postal address of a Contact at the Sending (Source) High School.	Required	minOcc 1 maxOcc 3 minLength 1 maxLength 40
City	Required	The city portion of the Address of a Contact at the Sending (Source) High School.	Required	minOcc 1 maxOcc 1 minLength 2 maxLength 30

Tag Name	Schema Use	Description	Recommended Use	Format
<i>DomesticAddressDetailsGroup</i>	Required choice	This Address Group is for items specific for US and Canadian Addresses	Required for domestic addresses	minOcc 1 maxOcc 1
<b>Comment:</b> [ <i>DomesticAddressDetailsGroup</i> ] does not appear in the instance document. If the complex data element address has a United States or Canadian Postal Code and a US State or Canadian Province Code, then this should be the required choice.				
StateProvinceCode	Required	Code for US states, etc., and Canadian provinces.	Required	minOcc 1 maxOcc 1  <b>Enumerations:</b> See Appendix A
PostalCode	Required	The postal code portion of the Address.	Required	minOcc 1 maxOcc 1 minLength 1 maxLength 17
<i>InternationalAddressDetailsGroup</i>	Required choice	This Address Group is for items specific for International Addresses	Required for international addresses	minOcc 1 maxOcc 1
<b>Comment:</b> [ <i>InternationalAddressDetailsGroup</i> ] does not appear in the instance document. This choice is for addresses that do not have a US or Canadian postal code.				
StateProvince	Optional	The literal name of the state, province or territory of a postal address of the source of this document. Use for addresses outside US or Canada.	Recommended Refer to common postal practices of the source country	minOcc 0 maxOcc 1 minLength 2 maxLength 30
<b>Comment:</b> For an internet resource of states or other geographical subdivisions in countries other than the US and Canada, you might choose to refer to the website of the Universal Postal Union at <a href="http://www.upu.int">http://www.upu.int</a>				
PostalCode	Optional	The postal code portion of the Address.	Recommended Refer to common postal practices of the source country	minOcc 0 maxOcc 1 minLength 1 maxLength 17
<b>Comment:</b> For an internet resource of states or other geographical subdivisions in countries other than the US and Canada, you might choose to refer to the website of the Universal Postal Union at <a href="http://www.upu.int">http://www.upu.int</a>				
CountryCode	Required	Code indicating Country. Use ISO 3166-1 alpha-2 standard.	Required	minOcc 1 maxOcc 1  <b>Enumerations:</b> See Appendix B
EffectiveDate	Optional	This the date when this address for the sending high school did or will become effective.	Optional	minOcc 0 maxOcc 1 Format is xs:date or ccyymm-dd
ExpirationDate	Optional	This the date when this address for the sending high school will no longer be valid.	Optional	minOcc 0 maxOcc 1 Format is xs:date or ccyymm-dd
AttentionLine	Optional	The individual or office name within the postal address where inquiries should be directed.	Optional	minOcc 0 maxOcc ∞ minLength 1 maxLength 45
<b>Comment:</b> This might be used to indicate where questions about the record should be sent. For example, <i>Principal, Guidance Counselor, Headmaster, Registrar, etc.</i>				
NoteMessage	Optional Repeatable	Additional information about the addresses of the contacts at the source school	Not recommended	minOcc 0 maxOcc ∞ minLength 1 maxLength 80

## Student.AcademicRecord.AcademicSession.School.Contacts.Address (Continued)

Code illustration 1 (Domestic Address):

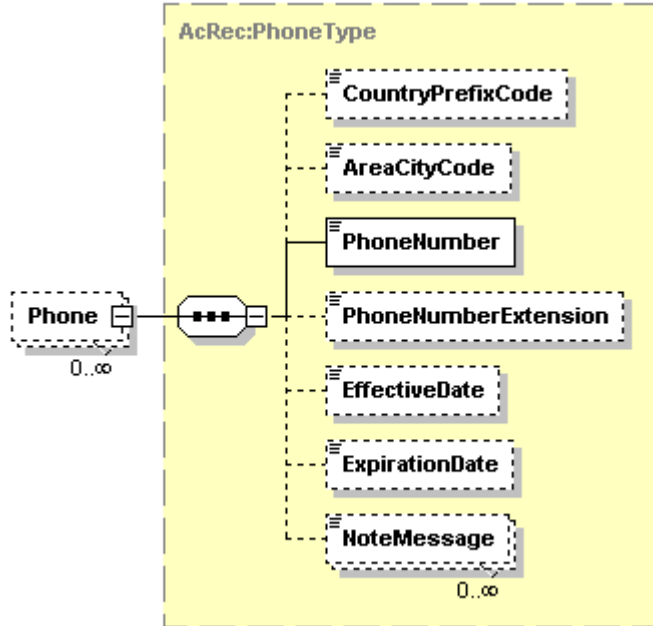
```
<Address>  
  <AddressLine>1715 W Cesar Chavez</AddressLine>  
  <City>Austin</City>  
  <StateProvinceCode>TX</StateProvinceCode>  
  <PostalCode>78703</PostalCode>  
  <EffectiveDate/>  
  <ExpirationDate/>  
  <AttentionLine>Jane Doe</AttentionLine>  
  <AttentionLine>GuidanceCounselor</AttentionLine>  
  <NoteMessage/>  
</Address>
```

Code illustration 2 (International Address):

```
<Address>  
  <AddressLine>Altova Corporation</AddressLine>  
  <AddressLine>Rudolfsplatz 13a/9</AddressLine>  
  <City>Wien</City>  
  <StateProvince/>  
  <PostalCode>A-1010</PostalCode>  
  <CountryCode>AT</CountryCode>  
  <EffectiveDate/>  
  <ExpirationDate/>  
  <AttentionLine/>  
  <NoteMessage/>  
</Address>
```

### Student.AcademicRecord.AcademicSession.School.Contacts.Phone

**Note:** Although the complex data element Phone is an optional data element, if you choose to send the Phone of a Contact at the Override School, then you must send a phone number.



Tag Name	Schema Use	Description	Recommended Use	Format
CountryPrefixCode	Optional	International dialing code	Recommended	minOcc 0 maxOcc 1 minLength 1 maxLength 3
AreaCityCode	Optional	Regional dialing code	Recommended	minOcc 0 maxOcc 1 minLength 1 maxLength 5
PhoneNumber	Required	Telephone number	Required	minOcc 1 maxOcc 1 minLength 1 maxLength 11
<b>Comment:</b> The phone number will typically be sent as a string of numbers with no spaces, periods or dashes.				
PhoneNumberExtension	Optional	The extended telephone addressing information used in addition to phone number such as a PBX extension, a pager PIN, or FAX sub-address	Optional	minOcc 0 maxOcc 1 minLength 1 maxLength 5
EffectiveDate	Optional	This the date when this phone information for the sending high school did or will become effective.	Optional	minOcc 0 maxOcc 1 Format is xs:date or ccy-mm-yy
ExpirationDate	Optional	This the date when this phone information for the sending high school will no longer be valid.	Optional	minOcc 0 maxOcc 1 Format is xs:date or ccy-mm-yy
NoteMessage	Optional Repeatable	Additional information about the phone number of the contact at the source institution	Not recommended	minOcc 0 maxOcc ∞ minLength 1 maxLength 80

## Student.AcademicRecord.AcademicSession.School.Contacts.Phone (Continued)

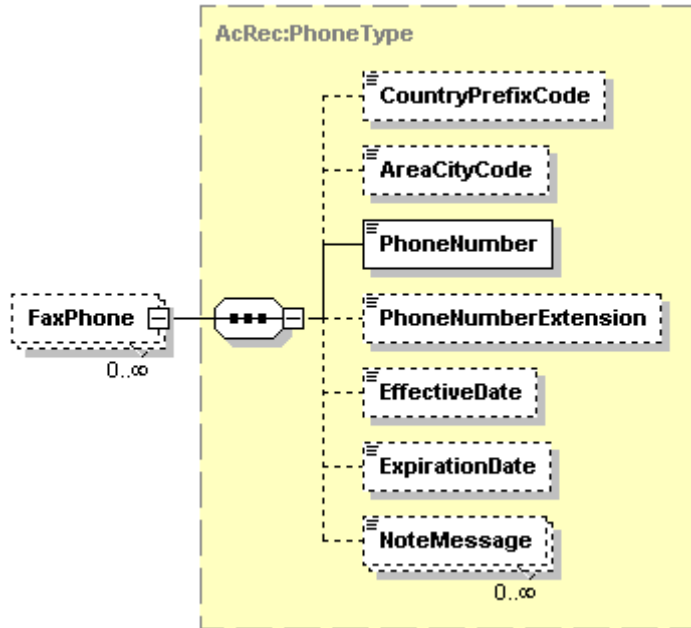
Code illustration:

```
<Phone>  
  <CountryPrefixCode/>  
  <AreaCityCode>512</AreaCityCode>  
  <PhoneNumber>4142505</PhoneNumber>  
  <PhoneNumberExtension />  
  <EffectiveDate/>  
  <ExpirationDate/>  
</Phone>
```



### Student.AcademicRecord.AcademicSession.School.Contacts.FaxPhone

**Note:** Although the complex data element FaxPhone is an optional data element, if you choose to send the FaxPhone of a Contact at the Override School, then you must send a phone number.



Tag Name	Schema Use	Description	Recommended Use	Format
CountryPrefixCode	Optional	International dialing code	Recommended	minOcc 0 maxOcc 1 minLength 1 maxLength 3
AreaCityCode	Optional	Regional dialing code	Recommended	minOcc 0 maxOcc 1 minLength 1 maxLength 5
PhoneNumber	Required	Telephone number	Required	minOcc 1 maxOcc 1 minLength 1 maxLength 11
<b>Comment:</b> The phone number will typically be sent as a string of numbers with no spaces, periods or dashes.				
PhoneNumberExtension	Optional	The extended telephone addressing information used in addition to phone number such as a PBX extension, a pager PIN, or FAX sub-address	Optional	minOcc 0 maxOcc 1 minLength 1 maxLength 5
EffectiveDate	Optional	This the date when this fax phone information for the sending high school did or will become effective.	Optional	minOcc 0 maxOcc 1 Format is xs:date or ccy-mm-yy
ExpirationDate	Optional	This the date when this fax phone information for the sending high school will no longer be valid.	Optional	minOcc 0 maxOcc 1 Format is xs:date or ccy-mm-yy
NoteMessage	Optional Repeatable	Additional information about the phone number of the contact at the source institution	Not recommended	minOcc 0 maxOcc ∞ minLength 1 maxLength 80

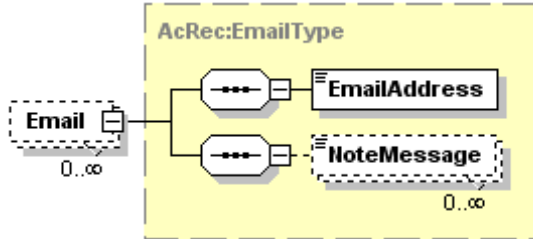
## Student.AcademicRecord.AcademicSession.School.Contacts.FaxPhone (Continued)

Code illustration:

```
<FaxPhone>  
  <CountryPrefixCode />  
  <AreaCityCode>512</AreaCityCode>  
  <PhoneNumber>4142505</PhoneNumber>  
  <PhoneNumberExtension />  
  <EffectiveDate />  
  <ExpirationDate />  
  <NoteMessage />  
</FaxPhone>
```

### Student.AcademicRecord.AcademicSession.School.Contacts.Email

**Note:** Although Email is an optional complex data element, if it is included, then the data element EmailAddress must be included.



Tag Name	Schema Use	Description	Recommended Use	Format
EmailAddress	Required	The numbers, letters, and symbols used to identify an electronic mail (Email) user within a network.	Required	minOcc 1 maxOcc 1 minLength 1 maxLength 128
NoteMessage	Optional Repeatable	Additional information about the email address	Not recommended	minOcc 0 maxOcc ∞ minLength 1 maxLength 80

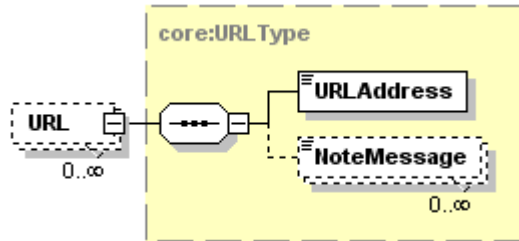
**Comment:** This is the email address for a contact at the override school.

Code illustration:

```
<Email>
  <EmailAddress>stewartj@aol.com</EmailAddress>
  <NoteMessage/>
</Email>
```

## Student.AcademicRecord.AcademicSession.School.Contacts.URL

**Note:** Although URL is an optional complex data element, if it is included, then the data element URLAddress must be included.



Tag Name	Schema Use	Description	Recommended Use	Format
URLAddress	Required	The Uniform Resource Locator (URL) address associated with a product, deliverable or contact.	Required	minOcc 1 maxOcc 1 minLength 0 maxLength 512
NoteMessage	Optional Repeatable	Additional information about the URL	Not Recommended	minOcc 0 maxOcc ∞ minLength 1 maxLength 80

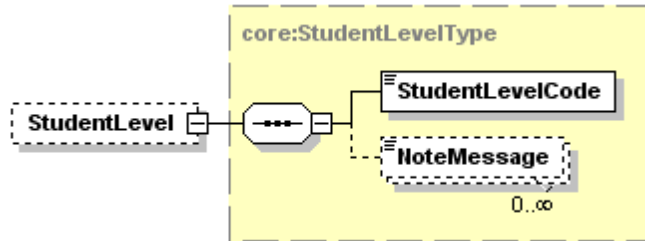
**Comment:** This is the URL of the override school.

Code illustration:

```
<URL>
  <URLAddress>www.NatickHighSchool.edu</URLAddress>
  <NoteMessage/>
</URL>
```

## Student.AcademicRecord.AcademicSession.StudentLevel

**Note:** Although *StudentLevel* is an optional complex data element, if it is included, then the data element *StudentLevelCode* must be included.



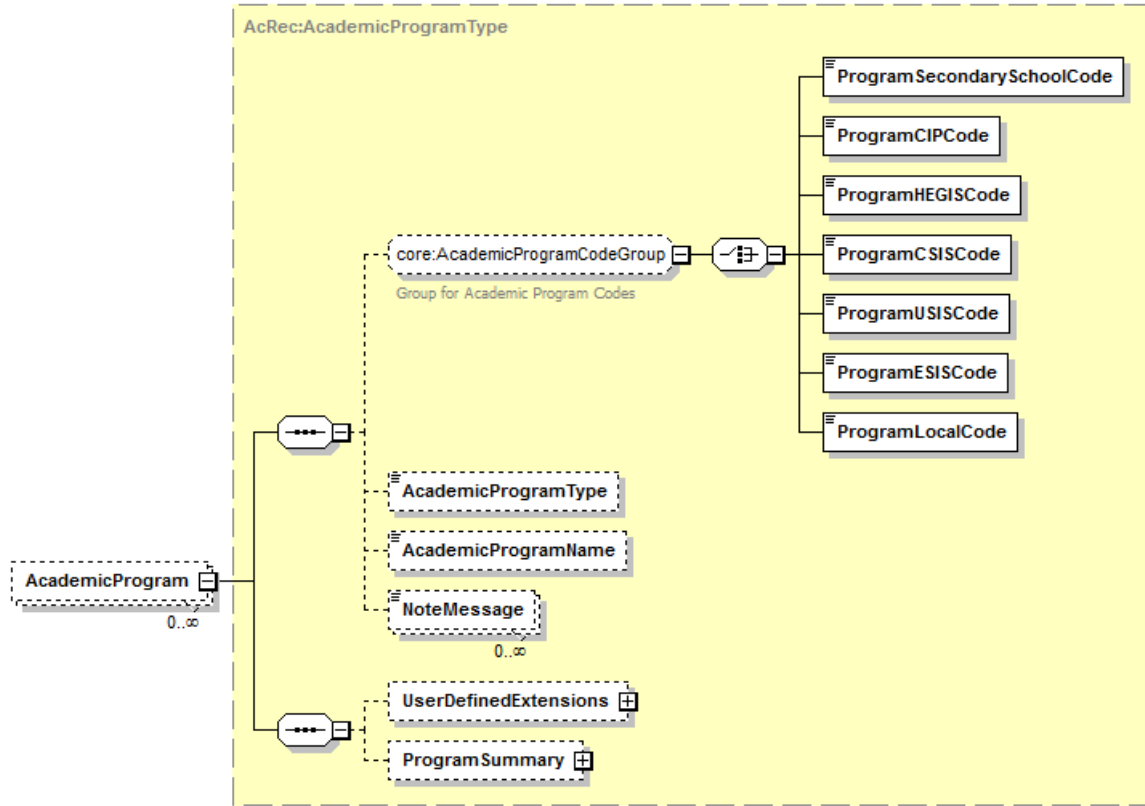
Tag Name	Schema Use	Description	Recommended Use	Format
StudentLevelCode	Required	The student's grade level or academic classification at the start of this academic session	Required	minOcc 1 maxOcc 1  <b>Enumerations:</b> SeventhGrade EighthGrade NinthGrade TenthGrade EleventhGrade TwelfthGrade Grade13 NonDegree Ungraded
NoteMessage	Optional Repeatable	Additional information about the student level	Not Recommended	minOcc 0 maxOcc ∞ minLength 1 maxLength 80

Code illustration:

```

<StudentLevel>
  <StudentLevelCode>EighthGrade</StudentLevelCode>
  <NoteMessage/>
</StudentLevel>
    
```

### Student.AcademicRecord.AcademicSession.AcademicProgram



Tag Name	Schema Use	Description	Recommended Use	Format
ProgramSecondarySchoolCode	Optional exclusive choice	Code describing the types of programs leading to an award at the secondary school level	Recommended	minOcc 0 maxOcc 1 <b>Enumerations:</b> CareerPrep CollegePrep CollegePrepOrCollegeTechPrep CollegeTechPrep General Occupational Vocational
ProgramCIPCode	Optional exclusive choice	Code indicating a discipline or field of study assigned by the Classification of Instructional Programs	Not Recommended	minOcc 0 maxOcc 1 minLength 6 maxLength 20
ProgramHEGISCode	Optional exclusive choice	Code indicating a discipline or field of study assigned by Higher Education General Information Survey	Not Recommended	minOcc 0 maxOcc 1 minLength 6 maxLength 20
ProgramCSISCode	Optional exclusive choice	Code indicating a discipline or field of study assigned by Statistics Canada Canadian College Student Information System	Not Recommended	minOcc 0 maxOcc 1 minLength 5 maxLength 5
ProgramUSISCode	Optional exclusive choice	Code indicating a discipline or field of study assigned by the Statistics Canada University Student Information System.	Not Recommended	minOcc 0 maxOcc 1 minLength 5 maxLength 5

Tag Name	Schema Use	Description	Recommended Use	Format
ProgramESISCode	Optional exclusive choice	Code indicating a discipline or field of study assigned by the Statistics Canada Enhanced Student Information System.	Not Recommended	minOcc 0 maxOcc 1 minLength 1 maxLength 20
ProgramLocalCode	Optional exclusive choice	Code indicating a discipline or field of study offered at a specific school	Not Recommended	minOcc 0 maxOcc 1 minLength 1 maxLength 20
<b>Comment:</b> Since the ProgramLocalCode is only specific to one school, it would not be appropriate for the High School Transcript unless this transcript is being sent to another school that is already familiar with this local code.				
AcademicProgramType	Optional	Indicates whether the academic program is a major, minor, area of concentration or specialization.	Not Recommended	minOcc 0 maxOcc 1  <b>Enumerations:</b> Concentration Focus Major Minor SecondMajor Specialization
AcademicProgramName	Optional	Literal name of program, major, or field of study.	Recommended	minOcc 0 maxOcc 1 minLength 1 maxLength 60
NoteMessage	Optional Repeatable	Additional information about the academic program	Not Recommended	minOcc 0 maxOcc ∞ minLength 1 maxLength 80
UserDefinedExtensions	Optional	A mini schema containing formatted data	Optional	
<b>Comment:</b> UserDefinedExtensions would be used by a group of trading partners within a state or region or who might use the same vendor. The mini schema would be agreed upon by those trading partners prior to exchanging any transcripts. Those not in that group of trading partners would simply ignore this complex data element.				
ProgramSummary	Optional	Summary information about the Academic Program for an Academic Session	Not Recommended	minOcc 0 maxOcc 1
<b>Comment:</b> The Program Summary would not normally be found for a session on a high school transcript.				

Code illustration:

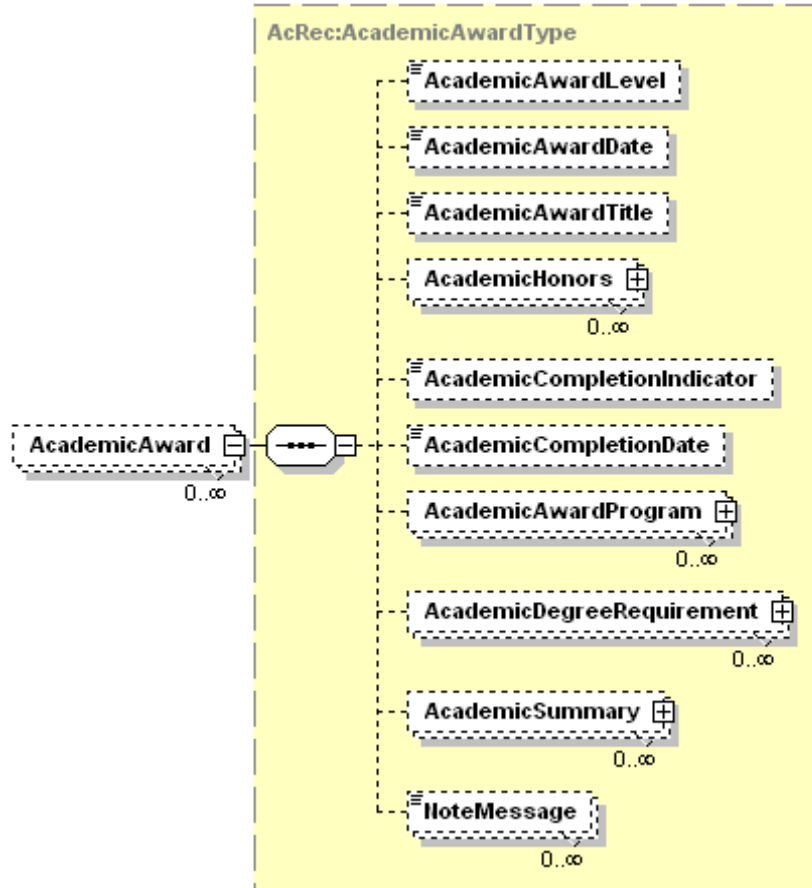
```

<AcademicProgram>
  <ProgramSecondarySchoolCode>General</ProgramSecondarySchoolCode>
  <AcademicProgramType/>
  <AcademicProgramName>General Transfer Track</AcademicProgramName>
  <NoteMessage/>
  <UserDefinedExtensions/>
  <ProgramSummary/>
</AcademicProgram>

```

## Student.AcademicRecord.AcademicSession.AcademicAward

**Note:** The workgroup that developed the PESC XML High School Transcript recommends that information about the High School Diploma be included in the complex data element Student.AcademicRecord.AcademicAward and not in this area of the schema.



Tag Name	Schema Use	Description	Recommended Use	Format
AcademicAwardLevel	Optional	<p>The level of the degree, certificate, or award granted for the successful completion of requirements of an academic program.</p> <p>B17 Did not complete secondary school</p> <p>B18 Standard High School Diploma which may or may not include an exit test</p> <p>B19 Advanced or honors diploma</p> <p>B20 Vocational diploma</p> <p>B21 Special Education Diploma normally for students with a disability</p> <p>B22 Certificate of completion or attendance</p>	Recommended	<p>minOcc 0 maxOcc 1</p> <p><b>Enumerations:</b> B17 B18 B19 B20 B21 B22 B23 B24 B25 B26 B27 B28 FrenchBaccalaureate CEGEP</p>



Tag Name	Schema Use	Description	Recommended Use	Format
		<p>B23 Special certificate of completion or attendance</p> <p>B24 General Education Development (GED) Diploma</p> <p>B25 Other high school equivalency diploma</p> <p>B26 International diploma or certificate such as International Baccalaureate</p> <p>B27 Standard High School Diploma with only 3 year curriculum</p> <p>B28 Met all graduation requirements except for required exit test</p> <p>FrenchBaccalaureate A typical award in Canada for students who complete the requirements for completion of a high school program.</p> <p>CEGEP is an award given to students in Quebec, Canada and includes all the requirements for a high school diploma plus one additional year of college work.</p>		
AcademicAwardDate	Optional	The date on which the academic award was conferred.	Recommended	minOcc 0 maxOcc 1 xs:date
<p><b>Comment:</b> This is the nominal date when the award was granted. It might not be the same as the actual date of completion of the award requirements. If not the same, then this date will usually be later. The format for the date is ccyy-mm-dd.</p>				
AcademicAwardTitle	Optional	The descriptive title for the academic award.	Recommended	minOcc 0 maxOcc 1 minLength 1 maxLength 400
<p><b>Comment:</b> The typical title for the award on a high school transcript would be "diploma."</p>				
AcademicHonors	Optional Repeatable	Honors information for the academic award.	Recommended	minOcc 0 maxOcc ∞
<p><b>Comment:</b> This complex data element will be expanded on page 156 which follows.</p>				
AcademicCompletionIndicator	Optional	An indication that the degree-seeking student completed all of the requirements for his or her academic program. Not used for Non-Degree programs.	Recommended	minOcc 0 maxOcc 1 true/false
<p><b>Comment:</b> The value is "true" or "false" with all letters in lower case. The "true" condition would be typically be met on or before the date indicated in the "AcademicAwardDate" field, if that field is sent. If neither the completion date nor the award date is included, then sending this indicator is even more important.</p>				
AcademicCompletionDate	Optional	The date on which the student's requirements for the degree were met or completed.	Recommended	minOcc 0 maxOcc 1 xs:date with format ccyy-mm-dd
<p><b>Comment:</b> This is the actual date when all requirements for the award were completed. It might not be the same as the nominal date of the award.</p>				

Tag Name	Schema Use	Description	Recommended Use	Format
AcademicAwardProgram	Optional Repeatable	Information related to the specific area of study (e.g., major) under which the award was granted.	Optional	minOcc 0 maxOcc ∞
<b>Comment:</b> The Academic Award Program would not normally be included on a high school transcript, so this part of the schema would not normally be sent. It will be expanded on page 157 in this Guide.				
AcademicDegreeRequirement	Optional Repeatable	Thesis or dissertation information if required for the award.	Not Recommended	minOcc 0 maxOcc ∞
<b>Comment:</b> Thesis or dissertation is not appropriate for the high school transcript.				
AcademicSummary	Optional Repeatable	Academic summary information pertaining to the award.	Optional	minOcc 0 maxOcc ∞
<b>Comment:</b> This complex data element will be expanded on page 167 which follows.				
NoteMessage	Optional Repeatable	Additional information about the academic award	Not Recommended	minOcc 0 maxOcc ∞ minLength 1 maxLength 80
<b>Comment:</b> This is the appropriate place in the Schema to include the awarding of the high school diploma if the high school normally includes it in the session in which all the requirements were met. However, the Workgroup that developed the PESC XML High School Transcript Schema recommends that the award of the high school diploma be included under Student.AcademicRecord.AcademicAward.				

## **Student.AcademicRecord.AcademicSession.AcademicAward (Continued)**

Code illustration:

```
<AcademicAward>
  <AcademicAwardLevel>B18</AcademicAwardLevel>
  <AcademicAwardDate>2005-05-09</AcademicAwardDate>
  <AcademicAwardTitle>Standard Diploma</AcademicAwardTitle>
  <AcademicHonors>

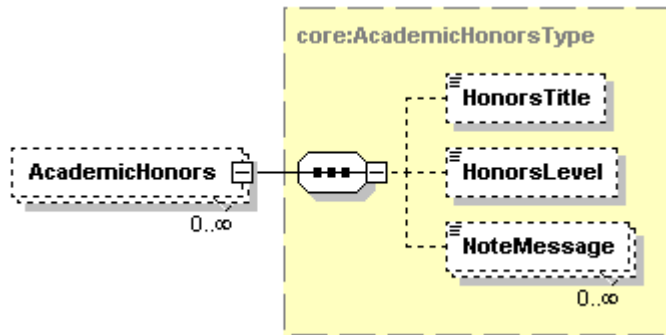
  </AcademicHonors>
  <AcademicCompletionIndicator>true</AcademicCompletionIndicator>
  <AcademicCompletionDate>2005-05-09</AcademicCompletionDate>
  <AcademicAwardProgram>

  </AcademicAwardProgram>
  <AcademicDegreeRequirement>

  </AcademicDegreeRequirement>
  <AcademicSummary>

  </AcademicSummary>
  <NoteMessage />
</AcademicAward>
```

## Student.AcademicRecord.AcademicSession.AcademicAward. AcademicHonors



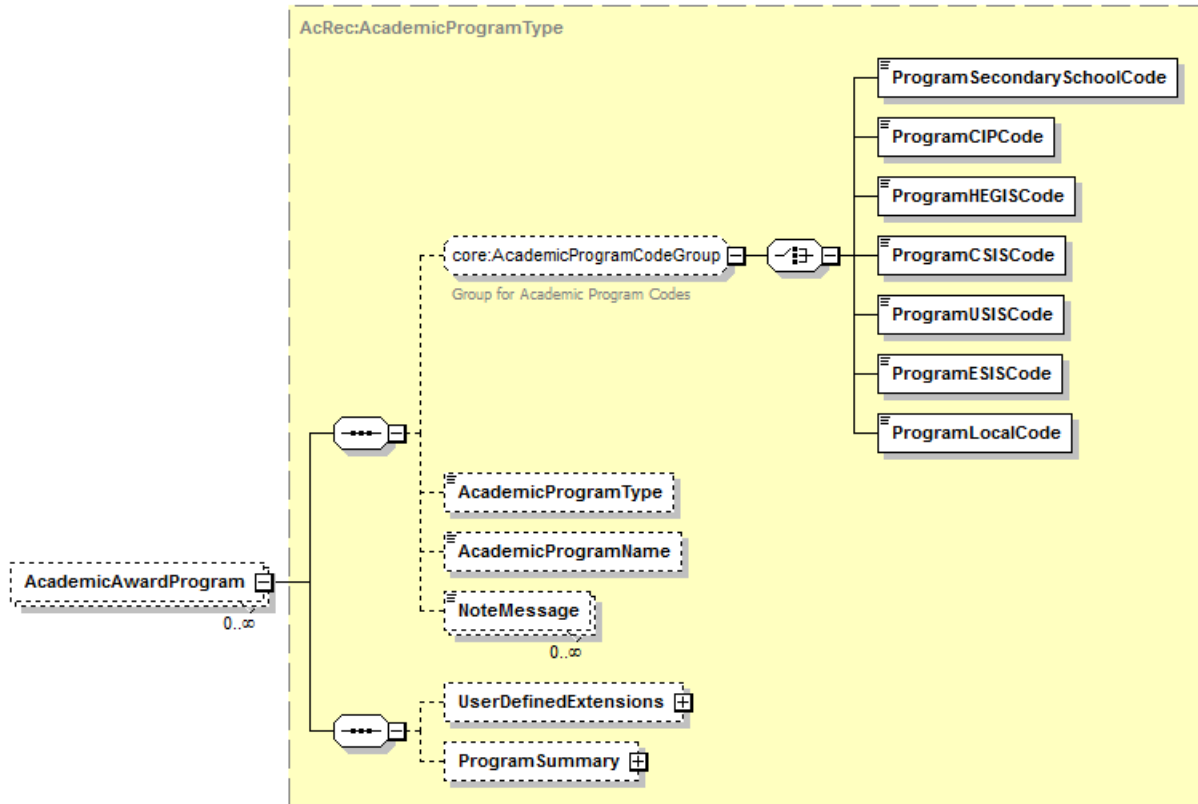
Tag Name	Schema Use	Description	Recommended Use	Format
HonorsTitle	Optional	The descriptive title for the honors received	Recommended	minOcc 0 maxOcc 1 minLength 1 maxLength 30
<b>Comment:</b> There is a variety of names for these honors in the United States. Some common ones are "Valdictorian", "Salutatorian", "With Honors", "Magna Cum Laude", etc.				
HonorsLevel	Optional	A code value representing 1st highest honor, 2nd highest and 3rd highest	Recommended	minOcc 0 maxOcc 1  <b>Enumerations:</b> FirstHighest SecondHighest ThirdHighest
NoteMessage	Optional Repeatable	Additional information about the academic honors	Not Recommended	minOcc 0 maxOcc ∞ minLength 1 maxLength 80
<b>Comment:</b> This is the appropriate place in the Schema to include any honors earned with the diploma if this is normally included in the session in which the diploma requirements were met. Examples might be "Salutatorian", "First Tier Award", "National Merit Scholar".				

Code illustration:

```

<AcademicHonors>
  <HonorsTitle>Summa Cum Laude</HonorsTitle>
  <HonorsLevel>FirstHighest</HonorsLevel>
  <NoteMessage/>
</AcademicHonors>
    
```

**Student.AcademicRecord.AcademicSession.AcademicAward.  
AcademicAwardProgram**



Tag Name	Schema Use	Description	Recommended Use	Format
ProgramSecondarySchoolCode	Optional exclusive choice	Code indicating the type of secondary school program or award that a student is pursuing	Recommended	minOcc 0 maxOcc 1 <b>Enumerations:</b> CareerPrep CollegePrep CollegePrepOrCollegeTechPrep CollegeTechPrep General Occupational Vocational
ProgramCIPCode	Optional exclusive choice	Code indicating a discipline or field of study assigned by the Classification of Instructional Programs for Postsecondary Institutions	Not Recommended	minOcc 0 maxOcc 1 minLength 6 maxLength 20
<b>Comment:</b> The CIP codes are intended for use by postsecondary school programs.				
ProgramHEGISCode	Optional exclusive choice	Code indicating a discipline or field of study assigned by Higher Education General Information Survey	Not Recommended	minOcc 0 maxOcc 1 minLength 6 maxLength 20
<b>Comment:</b> The HEGIS codes were intended for use by postsecondary school programs.				
ProgramCSISCode	Optional exclusive choice	Code indicating a discipline or field of study assigned by Statistics Canada Canadian College Student Information System	Not Recommended	minOcc 0 maxOcc 1 minLength 5 maxLength 5

Tag Name	Schema Use	Description	Recommended Use	Format
<b>Comment:</b> The CSIS codes were designed for describing academic programs of study at colleges in Canada.				
ProgramUSISCode	Optional exclusive choice	Code indicating a discipline or field of study assigned by the Statistics Canada University Student Information System.	Not Recommended	minOcc 0 maxOcc 1 minLength 5 maxLength 5
<b>Comment:</b> The USIS codes were designed for describing academic programs of study at universities in Canada.				
ProgramESISCode	Optional exclusive choice	Code indicating a discipline or field of study assigned by the Statistics Canada Enhanced Student Information System.	Not Recommended	minOcc 0 maxOcc 1 minLength 1 maxLength 20
<b>Comment:</b> The ESIS codes were designed for describing academic programs of study at colleges and universities in Canada.				
AcademicProgramType	Optional	Indicates whether the academic program is a major, minor, area of concentration or specialization.	Optional	minOcc 0 maxOcc 1  <b>Enumerations:</b> Concentration Focus Major Minor SecondMajor Specialization
<b>Comment:</b> These types of academic programs are not typically used on high school transcripts..				
AcademicProgramName	Optional	Literal name of program, major, or field of study.	Optional	minOcc 0 maxOcc 1 minLength 1 maxLength 60
NoteMessage	Optional Repeatable	Additional information about the Academic Award Program	Not Recommended	minOcc 0 maxOcc ∞ minLength 1 maxLength 80
UserDefinedExtensions	Optional	Additional structured information. Requires mutually defined XML schema.	Optional	minOcc 0 maxOcc 1
<b>Comment:</b> This complex data element UserDefinedExtensions would typically be used by schools within a state or geographical region or perhaps by users of a common software vendor to exchange specific data common to that state, region or vendor. It would be ignored by recipients that are not a part of that group.				
ProgramSummary	Optional	Summary information about the Academic Award Program	Optional	minOcc 0 maxOcc 1
<b>Comment:</b> This complex data element will be expanded on page 159 which follows.				

Code illustration:

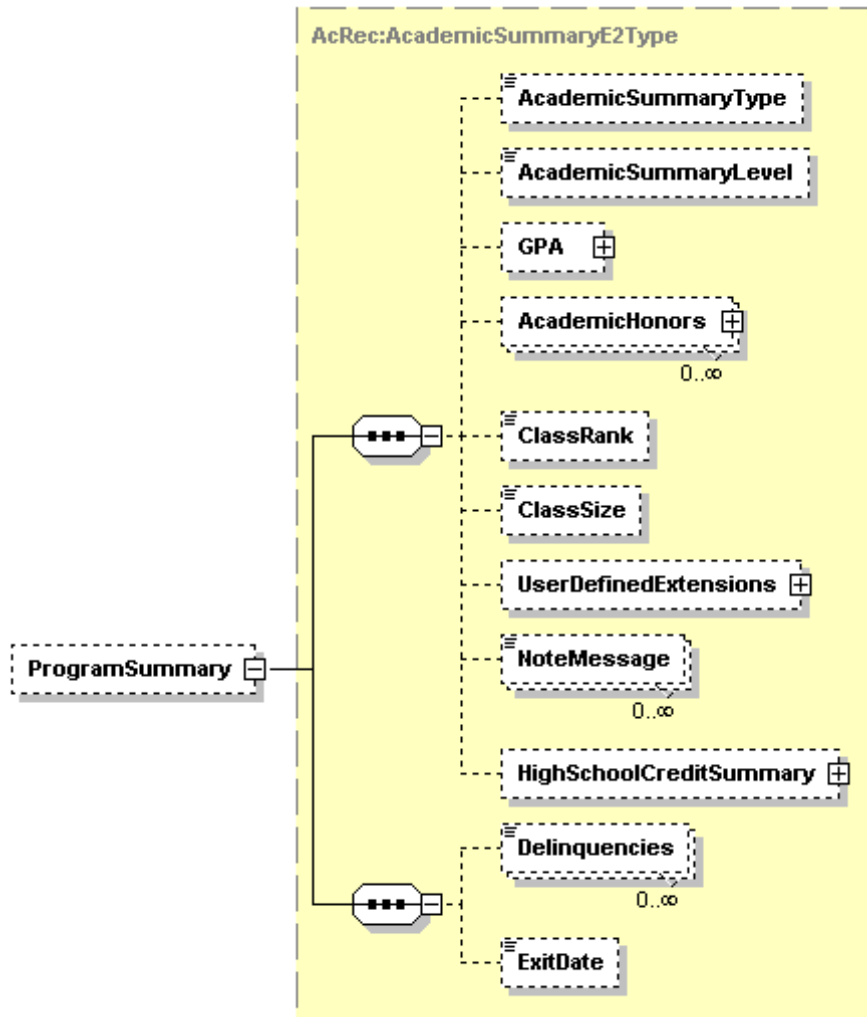
```

<AcademicAwardProgram>
  <ProgramSecondarySchoolCode>General</ProgramSecondarySchoolCode>
  <AcademicProgramType>Major</AcademicProgramType>
  <AcademicProgramName>General Academic Transfer</AcademicProgramName>
  <NoteMessage/>
  <UserDefinedExtensions/>
  <ProgramSummary>

  </ProgramSummary>
</AcademicAwardProgram>

```

**Student.AcademicRecord.AcademicSession.AcademicAward.  
AcademicAwardProgram.ProgramSummary**



Tag Name	Schema Use	Description	Recommended Use	Format
AcademicSummaryType	Optional	<p>Summary Type is an indication of what is being summarized over what period of time</p> <p><i>All</i> - Summary of all courses regardless of institution</p> <p><i>SenderOnly</i> - Summary of all courses at sending institution (or recorded as if they were taken at the sending institution)</p> <p><i>TransferOnly</i> - Summary of transfer work (courses taken at other than the sending institution)</p> <p><i>AllNotRepeated</i> - Summary of all courses except for repeated or forgiven courses/credits</p> <p><i>SenderNotRepeated</i> - Summary of all courses at sending institution except for repeated or forgiven courses/credits</p>	Not Recommended	<p>minOcc 0 maxOcc 1</p> <p><b>Enumerations:</b> All SenderOnly TransferOnly AllNotRepeated SenderNotRepeated TransferNotRepeated AcademicRenewal CarryoverCredit DegreeApplicable NonDegreeApplicable ConvertedFrom ConvertedTo Weighted NonWeighted UserDefined Cumulative</p>

Tag Name	Schema Use	Description	Recommended Use	Format
		<p><i>TransferNotRepeated</i> - Summary of transfer work except for repeated or forgiven courses/credits</p> <p><i>AcademicRenewal</i> - Subset of forgiven courses</p> <p><i>CarryoverCredit</i> - Summary from offline records and used as the initial point for cumulatives and averages</p> <p><i>DegreeApplicable</i> - Summary of courses that apply to degree</p> <p><i>NonDegreeApplicable</i> - Summary of courses that do not apply toward degree</p> <p><i>ConvertedFrom</i> - Summary of credits before an institutional term-basis conversion, such as from quarters to semesters</p> <p><i>ConvertedTo</i> - Summary of credits after an institutional term-basis conversion, such as from quarters to semesters</p> <p><i>Weighted</i> – Summary that gives additional (higher) value to specific courses taken by a student, such as honors courses, International Baccalaureate, Advanced Placement,, high school /college dual enrollment.</p> <p><i>NonWeighted</i> – Summary that does not give additional value to courses, regardless of special characteristics of the courses. For example, if the grading scale is from 0 to 4.00, then it is not possible to have a summary higher than 4.00.</p> <p><i>UserDefined</i> - see NoteMessage for explanation</p> <p><i>Cumulative</i> – Summary of all credits taken up to and including the current session</p>		
AcademicSummaryLevel	Optional	<p>The level of credit associated with the credit hours earned for the course.</p> <p><i>DualHighSchoolCollege</i> – College level courses taught by college instructors where both college credit and highschool credits are earned</p> <p><i>Vocational</i> - Vocational/technical credit</p>	Not Recommended	<p>minOcc 0 maxOcc 1</p> <p><b>Enumerations:</b> SeventhGrade EighthGrade NinthGrade TenthGrade EleventhGrade TwelfthGrade Grade13 Ungraded DualHighSchoolCollege Secondary TechnicalPreparatory Vocational</p>
GPA	Optional	GPA for the Award Program	Optional	<p>minOcc 0 maxOcc 1</p>
<p><b>Comment:</b> This complex data element will be expanded on page 163 which follows in this Guide.</p>				

Tag Name	Schema Use	Description	Recommended Use	Format
AcademicHonors	Optional Repeatable	Honors for the Award Program	Optional	minOcc 0 maxOcc ∞
<b>Comment:</b> This complex data element will be expanded on page 166 which follows in this Guide.				
ClassRank	Optional	The student's class rank relative to other students in their academic cohort (e.g. class).	Optional	minOcc 0 maxOcc 1 minInclusive 1 maxInclusive 9999 totalDigits 4
ClassSize	Optional	The numeric size of the academic cohort (e.g. class).	Optional	minOcc 0 maxOcc 1 minInclusive 1 maxInclusive 9999 totalDigits 4
UserDefinedExtensions	Optional	A mini schema including structured data that may be included that has been previously agreed to by a group of previously selected schools typically within a state or among schools that use the same vendor	Optional	minOcc 0 maxOcc 1
NoteMessage	Optional Repeatable	Additional information about the Program Summary	Not Recommended	minOcc 0 maxOcc ∞ minLength 1 maxLength 80
HighSchoolCreditSummary	Optional	A summary of high school credits taken for this program and this degree or diploma by high school curriculum area	Optional	minOcc 0 maxOcc 1
<b>Comment:</b> This complex data element would not typically be included at this point in a high school transcript. It was shown in its expanded form on page 169.				



Tag Name	Schema Use	Description	Recommended Use	Format
Delinquencies	Optional Repeatable	<p>The academic standing of the student upon transfer to the institution.</p> <p><i>ExclusionAcademic</i> – This status typically occurs after an earlier period of suspension for academic reasons and the student must apply to re-enroll</p> <p><i>ExclusionDiscipline</i> – This status typically occurs after an earlier period of suspension for disciplinary reasons and the student must apply to re-enroll</p> <p><i>GoodStanding</i> - Student was in good standing</p> <p><i>ProbationGPA</i> - Student was on academic probation (because of low GPA)</p> <p><i>ProbationHours</i> - Student was on academic probation (deficiency in credit hours)</p> <p><i>SuspensionGPA</i> - Student was on academic suspension (because of low GPA)</p> <p><i>SuspensionHours</i> - Student was on academic suspension (deficiency in credit hours)</p> <p><i>ProbationDiscipline</i> - Student was on disciplinary probation</p> <p><i>SuspensionDiscipline</i> - Student was on disciplinary suspension</p> <p><i>Unknown</i></p> <p><i>Other</i></p>	Not Recommended	<p>minOcc 0</p> <p>maxOcc ∞</p> <p><b>Enumerations:</b></p> <p>ExclusionAcademic</p> <p>ExclusionDiscipline</p> <p>GoodStanding</p> <p>ProbationGPA</p> <p>ProbationHours</p> <p>SuspensionGPA</p> <p>SuspensionHours</p> <p>ProbationDiscipline</p> <p>SuspensionDiscipline</p> <p>Unknown</p> <p>Other</p>
ExitDate	Optional	The date on which the student officially withdrew or graduated.	Not Recommended	<p>minOcc 0</p> <p>maxOcc 1</p> <p>xs:date</p>
<p><b>Comment:</b> This would be the date the student withdrew or graduated from a specific program. This would not normally be included in the high school transcript. If used, the date format is ccy-mm-dd.</p>				
<p><b>Comment:</b> This section of the transcript refers to a summary of the Academic Award Program for a specific Academic Session. This is not normally included in a high school transcript.</p>				

Code illustration:

```

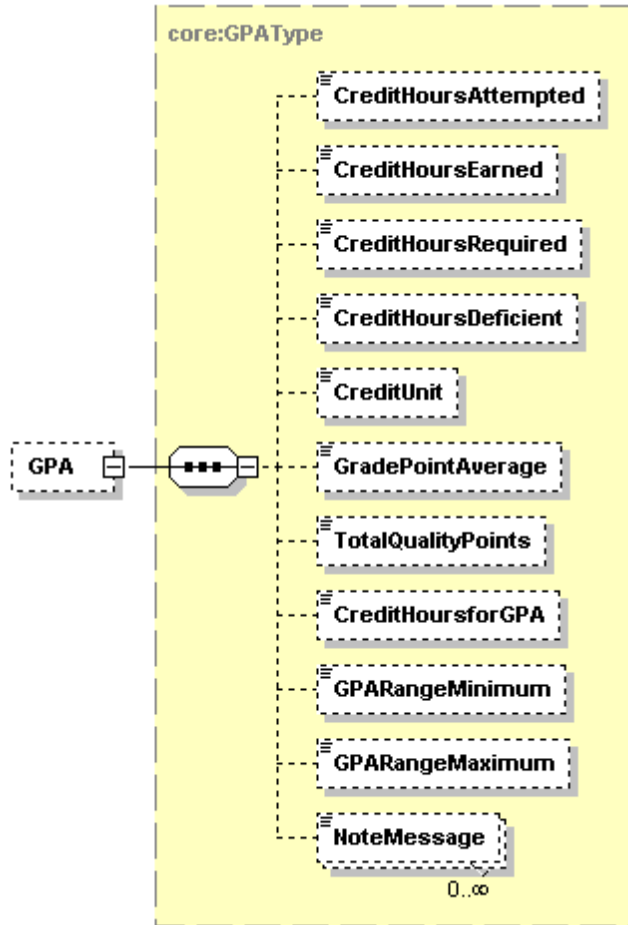
<ProgramSummary>
  <AcademicSummaryType/>
  <AcademicSummaryLevel/>
  <GPA>

  </GPA>
  <AcademicHonors>

  </AcademicHonors>
  <ClassRank>126</ClassRank>
  <ClassSize>342</ClassSize>
  <UserDefinedExtensions/>
  <NoteMessage/>
  <Delinquencies/>
  <ExitDate/>
</ProgramSummary>

```

**Student.AcademicRecord.AcademicSession.AcademicAward.  
AcademicAwardProgram.ProgramSummary.GPA**



Tag Name	Schema Use	Description	Recommended Use	Format
CreditHoursAttempted	Optional	The total value of credit hours attempted whether or not included in the hours for GPA or hours earned.	Recommended	minOcc 0 maxOcc 1 xs:decimal
<p><b>Comment:</b> This would also include the credit value of a course from which the student withdrew, if it appears on the transcript. So if a student had enrolled in 10 Carnegie Units which are all included in the specified program and appear on the transcript, and had passed 5 units and withdrawn from 5 units, then the value of this field would be "10". If the student had enrolled for 10.5 units that are included in this program and are on the transcript, then the value of this field would be "10.5".</p>				
CreditHoursEarned	Optional	The total value of credit hours successfully completed or earned.	Recommended	minOcc 0 maxOcc 1 xs:decimal
<p><b>Comment:</b> If the student had earned 5 Carnegie Units and they all counted toward this program for this diploma, then the value of this data element would be "5". If only 4.5 units were earned, then the value would be "4.5".</p>				
CreditHoursRequired	Optional	The total value of credit hours that are required for the award or diploma for which the student is pursuing	Optional	minOcc 0 maxOcc 1 xs:decimal

Tag Name	Schema Use	Description	Recommended Use	Format
CreditHoursDeficient	Optional	The total value of credit hours the student is lacking in order to successfully complete requirements for an award, diploma or certificate.	Optional	minOcc 0 maxOcc 1 xs:decimal
<b>Comment:</b> If the student had earned 5 Carnegie Units and they all counted toward this program for this diploma, then the value of this data element would be "5". If only 4.5 units were earned, then the value would be "4.5".				
CreditUnit	Optional	The type of credit (unit, semester, or quarter) associated with the credit hours earned for the course.	Recommended	minOcc 0 maxOcc 1  <b>Enumerations:</b> NoCredit Quarter Semester Units ClockHours CarnegieUnits ContinuingEducationUnits Unreported Other
<b>Comment:</b> Note that the credit unit is not necessarily directly related to the type of session in which a course is offered. A full year course, or a semester course, or a quarter course, may all offer Carnegie Units or Units as the credit unit.				
GradePointAverage	Optional	The value of the total quality points divided by the Credit Hours for Grade Point Average.	Recommended	minOcc 0 maxOcc 1 xs:decimal
<b>Comment:</b> For example, if the student had enrolled for 10 Carnegie Units that counted toward this diploma and this program, passed 8 units with grades of B worth 3 grade points for each Carnegie Unit, and 2 Carnegie Units with grades of F worth 0 grade points, then the calculation would be 24 grade points divided by 10 or a GPA of "2.4" or "2.40" or "2.400" depending on the policy of the sending school.				
TotalQualityPoints	Optional	The total value of quality points used for the calculation of the Grade Point Average.	Recommended	minOcc 0 maxOcc 1 xs:decimal
<b>Comment:</b> If a student earned all grades of B (worth 3 grade points for each Carnegie Unit) in 8.5 Carnegie Units that count toward this diploma and this program, then the value of this data element would be "25.5".				
CreditHoursforGPA	Optional	The total value of credit hours used to calculate the Grade Point Average.	Recommended	minOcc 0 maxOcc 1 xs:decimal
<b>Comment:</b> If a student earned grades of A (worth 4 grades points per unit) in 3 Carnegie Units in this program for this diploma; grades of F (worth 0 points per unit) in 4 units; and withdrew from 5 units, then the total credit hours for GPA for this diploma and this program would be "7".				
GPARangeMinimum	Optional	The minimum possible GPA	Recommended	minOcc 0 maxOcc 1 xs:decimal
<b>Comment:</b> If the lowest possible grade is an F and a grade of F is valued at 0 grade points, then this value would be "0", or "0.0" or "0.00".				
GPARangeMaximum	Optional	The maximum possible GPA	Recommended	minOcc 0 maxOcc 1 xs:decimal
<b>Comment:</b> If the highest possible grade is an A and a grade of A is valued at 4 grade points, then this value would be "4" or "4.0" or "4.00", etc.				
NoteMessage	Optional Repeatable	Additional information about the GPA	Not Recommended	minOcc 0 maxOcc ∞ minLength 1 maxLength 80

Tag Name	Schema Use	Description	Recommended Use	Format
<p><b>Comment:</b> A student's GPA for a specific program within the Award or Diploma would not normally be included in a high school transcript so this entire section of the schema would not normally be included. A more common location for this complex data element would be as child to Student.AcademicRecord.AcademicSummary</p>				

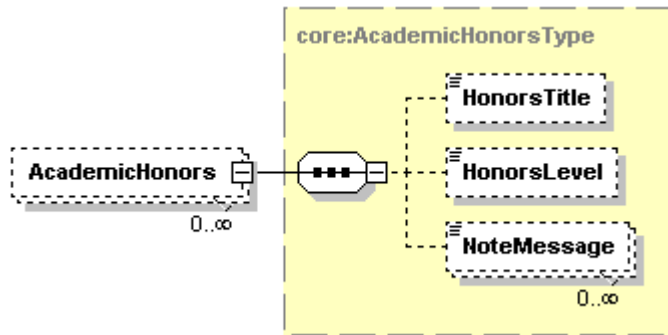
Code illustration:

```

<GPA>
  <CreditHoursAttempted>12</CreditHoursAttempted>
  <CreditHoursEarned>12</CreditHoursEarned>
  <CreditHoursRequired>25</CreditHoursRequired>
  <CreditHoursDeficient>13</CreditHoursDeficient>
  <CreditUnit>CarnegieUnits</CreditUnit>
  <GradePointAverage>3.75</GradePointAverage>
  <TotalQualityPoints>45</TotalQualityPoints>
  <CreditHoursforGPA>12</CreditHoursforGPA>
  <GPARangeMinimum>0</GPARangeMinimum>
  <GPARangeMaximum>4</GPARangeMaximum>
  <NoteMessage />
</GPA>

```

**Student.AcademicRecord.AcademicSession.AcademicAward.  
AcademicAwardProgram.ProgramSummary.AcademicHonors**



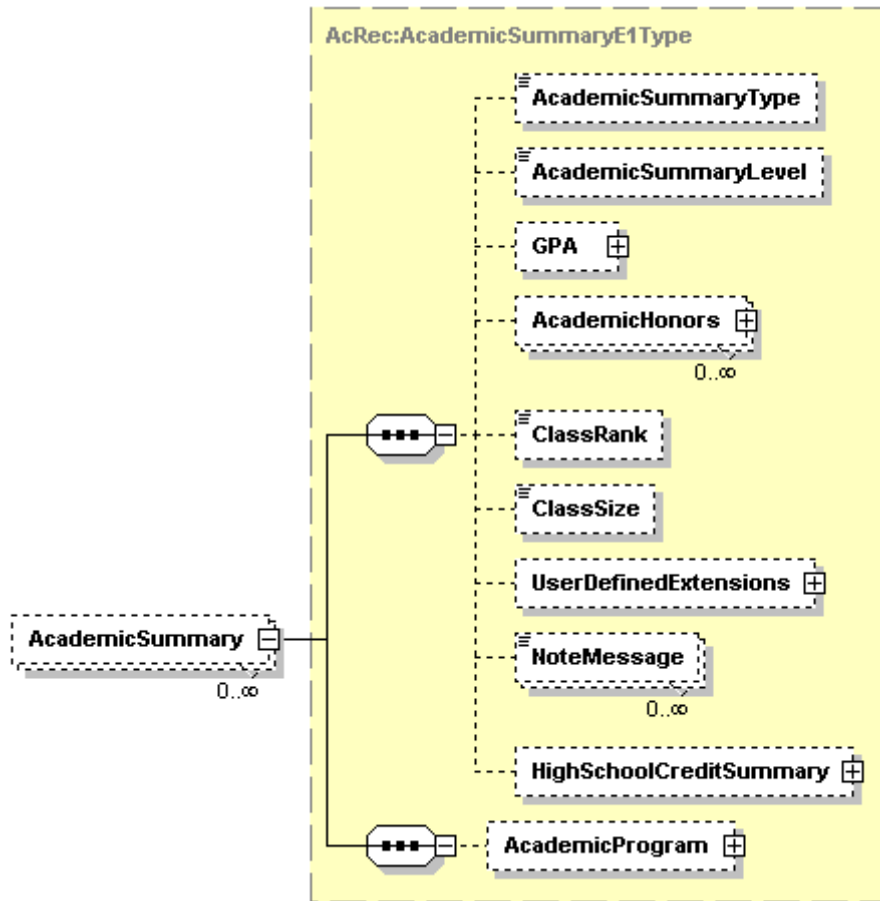
Tag Name	Schema Use	Description	Recommended Use	Format
HonorsTitle	Optional	The descriptive title for the honors received.	Not Recommended	minOcc 0 maxOcc 1 minLength 1 maxLength 30
HonorsLevel	Optional	A code value representing 1st highest honor, 2nd highest and 3rd highest.	Not Recommended	minOcc 0 maxOcc 1  <b>Enumerations:</b> FirstHighest SecondHighest ThirdHighest
NoteMessage	Optional Repeatable	Additional information about the Academic Honors	Not Recommended	minOcc 0 maxOcc ∞ minLength 1 maxLength 80

**Comment:** This entire section of the schema for honors awarded for a specific program in a specific session as part of a high school diploma would not normally be included on a high school transcript.

Code illustration:

```
<AcademicHonors>
  <HonorsTitle/>
  <HonorsLevel/>
  <NoteMessage >
</AcademicHonors>
```

**Student.AcademicRecord.AcademicSession.AcademicAward.  
AcademicSummary**



Tag Name	Schema Use	Description	Recommended Use	Format
AcademicSummaryType	Optional	<p>Summary Type is an indication of what is being summarized over what period of time</p> <p><i>All</i> - Summary of all courses regardless of institution</p> <p><i>SenderOnly</i> - Summary of all courses at sending institution (or recorded as if they were taken at the sending institution)</p> <p><i>TransferOnly</i> - Summary of transfer work (courses taken at other than the sending institution)</p> <p><i>AllNotRepeated</i> - Summary of all courses except for repeated or forgiven courses/credits</p> <p><i>SenderNotRepeated</i> - Summary of all courses at sending institution except for repeated or forgiven courses/credits</p> <p><i>TransferNotRepeated</i> - Summary of transfer work except for repeated or forgiven courses/credits</p> <p><i>AcademicRenewal</i> - Subset of forgiven courses</p>	Recommended	<p>minOcc 0 maxOcc 1</p> <p><b>Enumerations:</b> All SenderOnly TransferOnly AllNotRepeated SenderNotRepeated TransferNotRepeated AcademicRenewal CarryoverCredit DegreeApplicable NonDegreeApplicable ConvertedFrom ConvertedTo Weighted NonWeighted UserDefined Cumulative</p>

Tag Name	Schema Use	Description	Recommended Use	Format
		<p><i>CarryoverCredit</i> - Summary from offline records and used as the initial point for cumulatives and averages</p> <p><i>DegreeApplicable</i> - Summary of course that apply to degree</p> <p><i>NonDegreeApplicable</i> - Summary of courses that do not apply toward degree</p> <p><i>ConvertedFrom</i> - Summary of credits before an institutional term-basis conversion, such as from quarters to semesters</p> <p><i>ConvertedTo</i> - Summary of credits after an institutional term-basis conversion, such as from quarters to semesters</p> <p><i>Weighted</i> – Summary that gives additional (higher) value to specific courses taken by a student, such as honors courses, International Baccalaureate, Advanced Placement, high school/college dual enrollment.</p> <p><i>NonWeighted</i> – Summary that does not give additional value to courses, regardless of special characteristics of the courses. For example, if the grading scale is from 0 to 4.00, then it is not possible to have a summary higher than 4.00.</p> <p><i>UserDefined</i> - see NoteMessage for explanation</p> <p><i>Cumulative</i> – Summary of all courses taken up to and including this session</p>		
AcademicSummaryLevel	Optional	The level of credit associated with the credit hours earned for the course.	Optional	minOcc 0 maxOcc 1  <b>Enumerations:</b> SeventhGrade EighthGrade NinthGrade TenthGrade EleventhGrade TwelfthGrade DualHighSchoolCollege Secondary TechnicalPreparatory Vocational
<b>Comment:</b> Inclusion of this data element at this level would be very unusual.				
GPA	Optional	GPA for the Academic Award that was given during or at the end of this session	Recommended	minOcc 0 maxOcc 1
<b>Comment:</b> This complex data element will be expanded on page 170 which follows in this Guide.				
AcademicHonors	Optional Repeatable	Honors for the Academic Award associated with this award	Recommended	minOcc 0 maxOcc ∞
<b>Comment:</b> This complex data element will be expanded on page 173 which follows.				

Tag Name	Schema Use	Description	Recommended Use	Format
ClassRank	Optional	The student's class rank relative to other students in their academic cohort (e.g. class).	Recommended	minOcc 0 maxOcc 1 minInclusive 1 maxInclusive 9999 totalDigits 4
ClassSize	Optional	The numeric size of the academic cohort (e.g. class).	Recommended	minOcc 0 maxOcc 1 minInclusive 1 maxInclusive 9999 totalDigits 4
UserDefinedExtensions	Optional	A mini schema, that can include structured data, when that has structure has been previously agreed to by a set of trading partners, frequently within a state or province, or who use the same vendor	Optional	minOcc 0 maxOcc 1
NoteMessage	Optional Repeatable	Additional information about the Academic Summary for an Academic Award	Not Recommended	minOcc 0 maxOcc ∞ minLength 1 maxLength 80
HighSchoolCreditSummary	Optional	A specific summary of credits taken in a secondary school	Optional	minOcc 0 maxOcc 1
<b>Comment:</b> This occurrence of this complex data element would summarize credits and courses taken, and required and deficient for the specific award at the high school. This complex data element will be expanded on page 174 which follows in this Guide.				
AcademicProgram	Optional	Academic Program(s) related to this Academic Summary	Optional	minOcc 0 maxOcc ∞
<b>Comment:</b> This complex data element will be expanded on page 177 which follows in this Guide.				
<b>Comment:</b> While academic award programs and summaries can be communicated in several different elements, it is recommended that they be reported at the highest appropriate level. E.G., use <code>AcademicAward.AcademicAwardProgram</code> to indicate degree major; <code>AcademicAward.AcademicAwardProgram.ProgramSummary</code> for degree major GPA and honors; <code>AcademicAward.AcademicSummary</code> for degree GPA and honors. This would be the appropriate place in this schema to give information about the credits and GPA for the diploma that is awarded if the sending school does not include this in the academic session in which the diploma was awarded.				

**Code illustration:**

```

<AcademicSummary>
  <AcademicSummaryType>All</AcademicSummaryType>
  <AcademicSummaryLevel>Secondary</AcademicSummaryLevel>
  <GPA>

  </GPA>
  <AcademicHonors>

  </AcademicHonors>
  <ClassRank>43</ClassRank>
  <ClassSize>849</ClassSize>
  <UserDefinedExtensions/>
  <NoteMessage/>
  <HighSchoolCreditSummary>

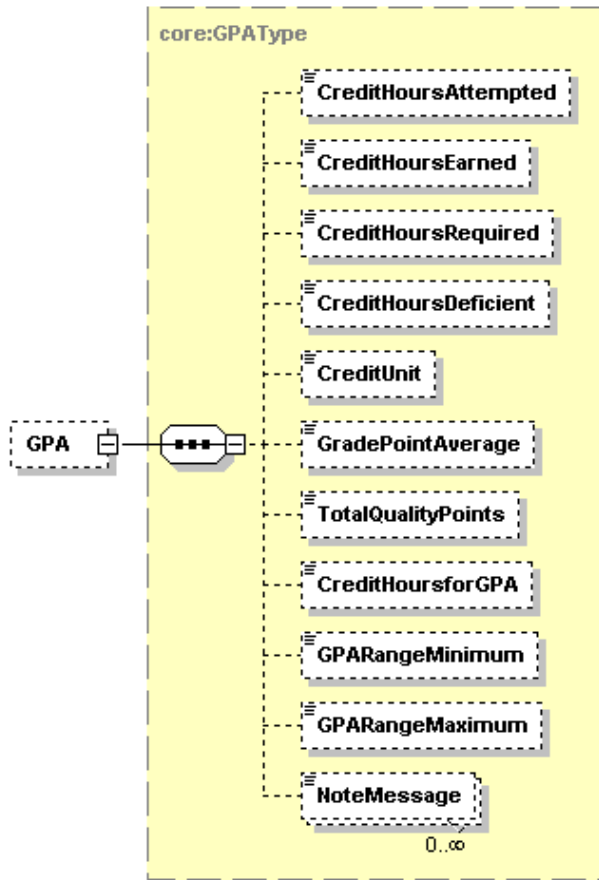
  </HighSchoolCreditSummary>
  <AcademicProgram>

  </AcademicProgram>
</AcademicSummary>

```



**Student.AcademicRecord.AcademicSession.AcademicAward.  
AcademicSummary.GPA**



Tag Name	Schema Use	Description	Recommended Use	Format
CreditHoursAttempted	Optional	The total value of credit hours attempted whether or not included in the hours for GPA or hours earned.	Recommended	minOcc 0 maxOcc 1 xs:decimal
<p><b>Comment:</b> This would include the credit value of a course from which the student withdrew, if it appears on the transcript. So if a student had enrolled in 10 Carnegie Units which are all included for this diploma and are on the transcript, and had passed 5 units and withdrawn from 5 units, then the value of this field would be "10". If the student had enrolled for 10.5 units that are included for this diploma and are on the transcript, then the value of this field would be "10.5".</p>				
CreditHoursEarned	Optional	The total value of credit hours successfully completed or earned.	Recommended	minOcc 0 maxOcc 1 xs:decimal
<p><b>Comment:</b> If the student had earned 5 Carnegie Units and they all counted toward this diploma, then the value of this data element would be "5". If only 4.5 units were earned, then the value would be "4.5".</p>				
CreditHoursRequired	Optional	The total value of credit hours that are required for a student to earn this award or diploma	Recommended	minOcc 0 maxOcc 1 xs:decimal
CreditHoursDeficient	Optional	The total value of credit hours that are still needed by the student to complete this award or diploma.	Recommended	minOcc 0 maxOcc 1 xs:decimal
<p><b>Comment:</b> If the student had earned 5 Carnegie Units and they all counted toward this diploma, then the value of this data element would be "5". If only 4.5 units were earned, then the value would be "4.5".</p>				

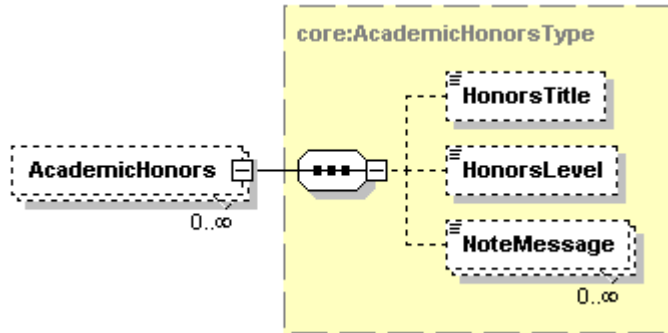
Tag Name	Schema Use	Description	Recommended Use	Format
CreditUnit	Optional	The type of credit (unit, semester, or quarter) associated with the credit hours earned for the course.	Recommended	minOcc 0 maxOcc 1  <b>Enumerations:</b> NoCredit Quarter Semester Units ClockHours CarnegieUnits ContinuingEducationUnits Unreported Other
<b>Comment:</b> Note that the credit unit is not necessarily directly related to the type of session in which a course is offered. A full year course, or a semester course, or a quarter session course, may all offer Carnegie Units or Units as the credit unit.				
GradePointAverage	Optional	The value of the total quality points divided by the Credit Hours for Grade Point Average.	Recommended	minOcc 0 maxOcc 1  xs:decimal
<b>Comment:</b> For example, if the student had enrolled for 10 Carnegie Units that counted toward this diploma, passed 8 units with grades of B worth 3 grade points for each Carnegie Unit, and 2 Carnegie Units with grades of F worth 0 grade points, then the calculation would be 24 grade points divided by 10 or a GPA of "2.4" or "2.40" or "2.400" depending on the policy of the sending school.				
TotalQualityPoints	Optional	The total value of quality points used for the calculation of the Grade Point Average.	Recommended	minOcc 0 maxOcc 1  xs:decimal
<b>Comment:</b> If a student earned all grades of B (worth 3 grade points for each Carnegie Unit) in 8.5 Carnegie Units that count toward this diploma, then the value of this data element would be "25.5".				
CreditHoursforGPA	Optional	The total value of credit hours used to calculate the Grade Point Average.	Recommended	minOcc 0 maxOcc 1  xs:decimal
<b>Comment:</b> If a student earned grades of A (worth 4 grades points per unit) in 3 Carnegie Units for this diploma; grades of F (worth 0 points per unit) in 4 units; and withdrew from 5 units, then the total credit hours for GPA for this diploma would be "7".				
GPARangeMinimum	Optional	The minimum possible Grade Point Average	Recommended	minOcc 0 maxOcc 1  xs:decimal
<b>Comment:</b> If the lowest possible grade is an F and a grade of F is valued at 0 grade points, then this value would be "0", or "0.0" or "0.00", etc.				
GPARangeMaximum	Optional	The maximum possible Grade Point Average	Recommended	minOcc 0 maxOcc 1  xs:decimal
<b>Comment:</b> If the highest possible grade is an A and a grade of A is valued at 4 grade points, then this value would be "4" or "4.0" or "4.00", etc.				
NoteMessage	Optional Repeatable	Additional information about the GPA	Not Recommended	minOcc 0 maxOcc ∞ minLength 1 maxLength 80
<b>Comment:</b> The GPA reported in this section of the Schema is an overall GPA for all courses that count toward the diploma described in this section.				

## Student.AcademicRecord.AcademicSession.AcademicAward. AcademicSummary.GPA (Continued)

Code illustration:

```
<GPA>
  <CreditHoursAttempted>22</CreditHoursAttempted>
  <CreditHoursEarned>20</CreditHoursEarned>
  <CreditHoursRequired>23</CreditHoursRequired>
  <CreditHoursDeficient>3</CreditHoursDeficient>
  <CreditUnit>CarnegieUnits</CreditUnit>
  <GradePointAverage>3.41</GradePointAverage>
  <TotalQualityPoints>75</TotalQualityPoints>
  <CreditHoursforGPA>22</CreditHoursforGPA>
  <GPARangeMinimum>0</GPARangeMinimum>
  <GPARangeMaximum>4</GPARangeMaximum>
  <NoteMessage />
</GPA>
```

**Student.AcademicRecord.AcademicSession.AcademicAward.  
AcademicSummary.AcademicHonors**



Tag Name	Schema Use	Description	Recommended Use	Format
HonorsTitle	Optional	The descriptive title for the honors received.	Recommended	minOcc 0 maxOcc 1 minLength 1 maxLength 30
<p><b>Comment:</b> There is a great variety of titles for honors that are associated with the diploma being awarded. Among these are “Star Student”, “Sigma Alpha Tau”, “Salutatorian”, “Valedictorian”, “Summa Cum Laude”, “Magna Cum Laude”, “Cum Laude”, “With Highest Honors”, etc.</p>				
HonorsLevel	Optional	A code value representing 1st highest honor, 2nd highest and 3rd highest.	Recommended	minOcc 0 maxOcc 1  <b>Enumerations:</b> FirstHighest SecondHighest ThirdHighest
NoteMessage	Optional Repeatable	Additional information about the Academic Honors	Not Recommended	minOcc 0 maxOcc ∞ minLength 1 maxLength 80
<p><b>Comment:</b> These are the academic honors associated with the diploma or other award described immediately above.</p>				

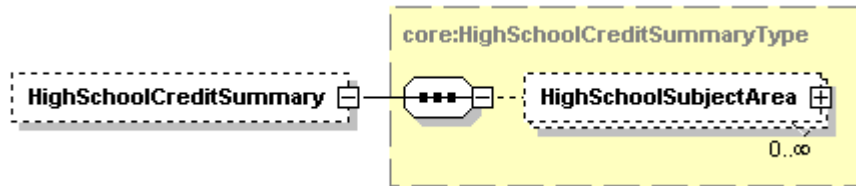
Code illustration:

```

<AcademicHonors>
  <HonorsTitle>Valedictorian</HonorsTitle>
  <HonorsLevel>FirstHighest</HonorsLevel>
  <NoteMessage/>
</AcademicHonors>

```

**Student.AcademicRecord.AcademicSession.AcademicAward.  
AcademicSummary.HighSchoolCreditSummary**



Tag Name	Schema Use	Description	Recommended Use	Format
HighSchoolSubjectArea	Optional Repeatable	The part of the high school curriculum area that is to be described and summarized	Recommended	minOcc 0 maxOcc ∞

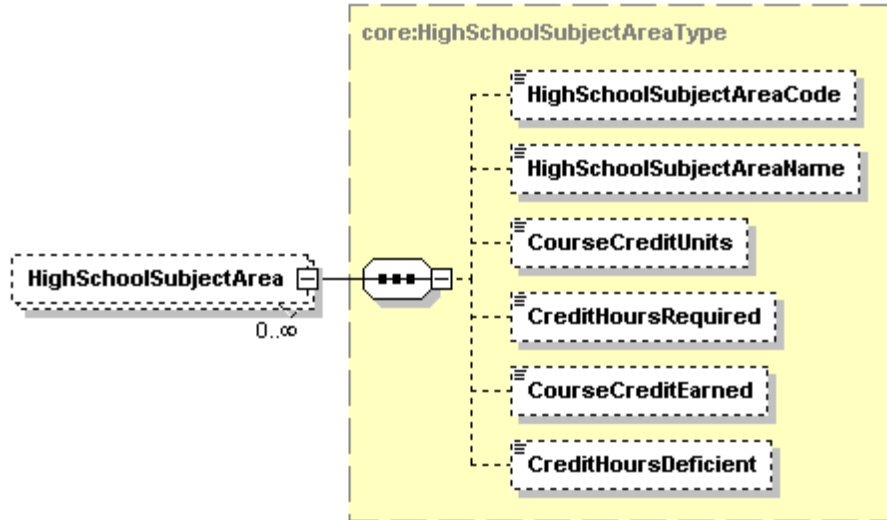
**Comment.** This complex data element will be expanded on page 175 which follows in this Guide.

Code illustration:

```
<HighSchoolCreditSummary>
  <HighSchoolSubjectArea>

  </HighSchoolSubjectArea>
</HighSchoolCreditSummary>
```

**Student.AcademicRecord.AcademicSession.AcademicAward.  
AcademicSummary.HighSchoolCreditSummary.HighSchoolSubjectArea**



Tag Name	Schema Use	Description	Recommended Use	Format
HighSchoolSubjectAreaCode	Optional	This simple data element describes major areas of the high school curriculum	Recommended	minOcc 0 maxOcc 1  <b>Enumerations:</b> AcademicElective Arts English ForeignLanguage HistorySocialScience LabScience Math Other Science
HighSchoolAreaName	Optional	The name of the major area of the high school curriculum	Optional	minOcc 0 maxOcc 1 minLength 1 maxLength 30
<b>Comment:</b> It would not be necessary to include this data element if the high school names its curriculum area the same as the enumerated value in the previous data element. If not, it might be helpful to include the name of the area as used at the sending high school.				
CourseCreditUnits	Optional	The type of credits used at the high school	Recommended	minOcc 0 maxOcc 1  <b>Enumerations:</b> NoCredit Quarter Semester Units ClockHours CarnegieUnits ContinuingEducationUnits Unreported Other
CreditHoursRequired	Optional	The number of credit units needed to satisfy the graduation requirements in this area	Recommended	minOcc 0 maxOcc 1  The format is decimal up to 3 decimal places

Tag Name	Schema Use	Description	Recommended Use	Format
CreditHoursEarned	Optional	The number of credit units that the student has earned up to this point in time in this curriculum area	Recommended	minOcc 0 maxOcc 1 The format is decimal up to 3 decimal places
CreditHoursDeficient	Optional	The number of credit units that the student still needs to complete in this curriculum area in order to receive the award or diploma	Recommended	minOcc 0 maxOcc 1 The format is decimal up to 3 decimal places

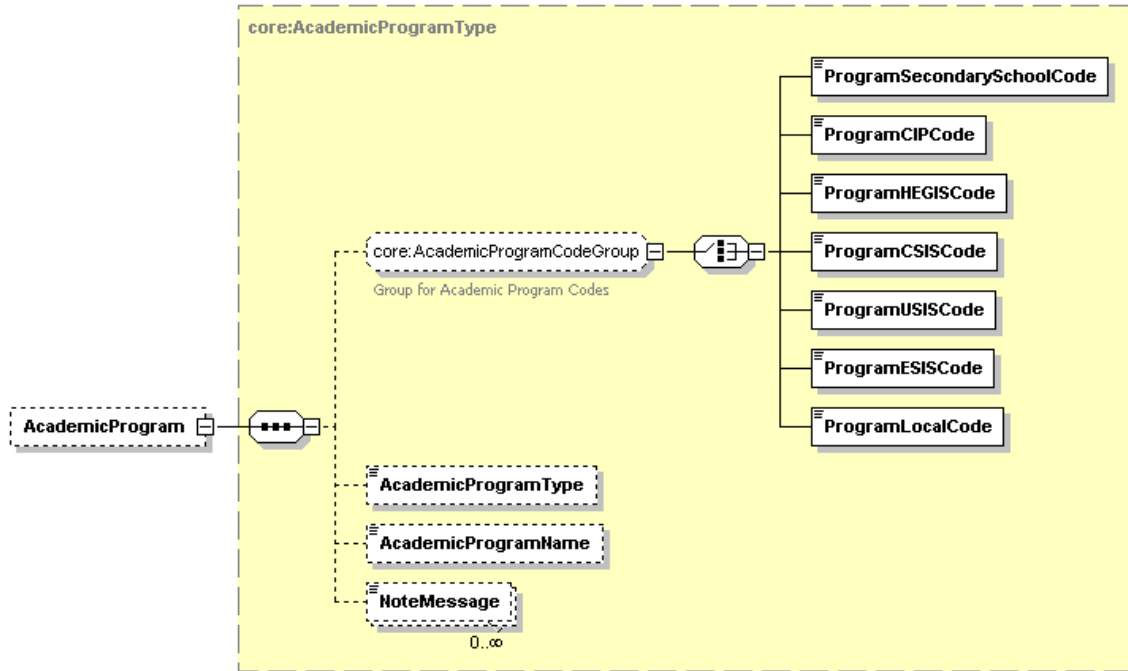
Code illustration:

```

<HighSchoolSubjectArea>
  <HighSchoolSubjectAreaCode>Math</HighSchoolSubjectAreaCode>
  <HighSchoolSubjectAreaName>Higher Mathematics</HighSchoolSubjectAreaName>
  <CourseCreditUnits>CarnegieUnits</CourseCreditUnits>
  <CreditHoursRequired>3</CreditHoursRequired>
  <CourseCreditEarned>1.5</CourseCreditEarned>
  <CreditHoursDeficient>1.5</CreditHoursDeficient>
</HighSchoolSubjectArea>

```

**Student.AcademicRecord.AcademicSession.AcademicAward.  
AcademicSummary.AcademicProgram**



Tag Name	Schema Use	Description	Recommended Use	Format
ProgramSecondarySchoolCode	Optional exclusive choice	Code that describes a program of study taken by secondary school students	Recommended	minOcc 0 maxOcc 1 <b>Enumerations:</b> CareerPrep CollegePrep CollegePrepOrCollegeTechPrep CollegeTechPrep General Occupational Vocational
ProgramCIPCode	Optional exclusive choice	Code indicating a discipline or field of study assigned by the Classification of Instructional Programs	Not Recommended	minOcc 0 maxOcc 1 minLength 6 maxLength 20
ProgramHEGISCode	Optional exclusive choice	Code indicating a discipline or field of study assigned by Higher Education General Information Survey	Not Recommended	minOcc 0 maxOcc 1 minLength 6 maxLength 20
ProgramCSISCode	Optional exclusive choice	Code indicating a discipline or field of study assigned by Statistics Canada Canadian College Student Information System	Not Recommended	minOcc 0 maxOcc 1 minLength 5 maxLength 5
ProgramUSISCode	Optional exclusive choice	Code indicating a discipline or field of study assigned by the Statistics Canada University Student Information System.	Not Recommended	minOcc 0 maxOcc 1 minLength 5 maxLength 5

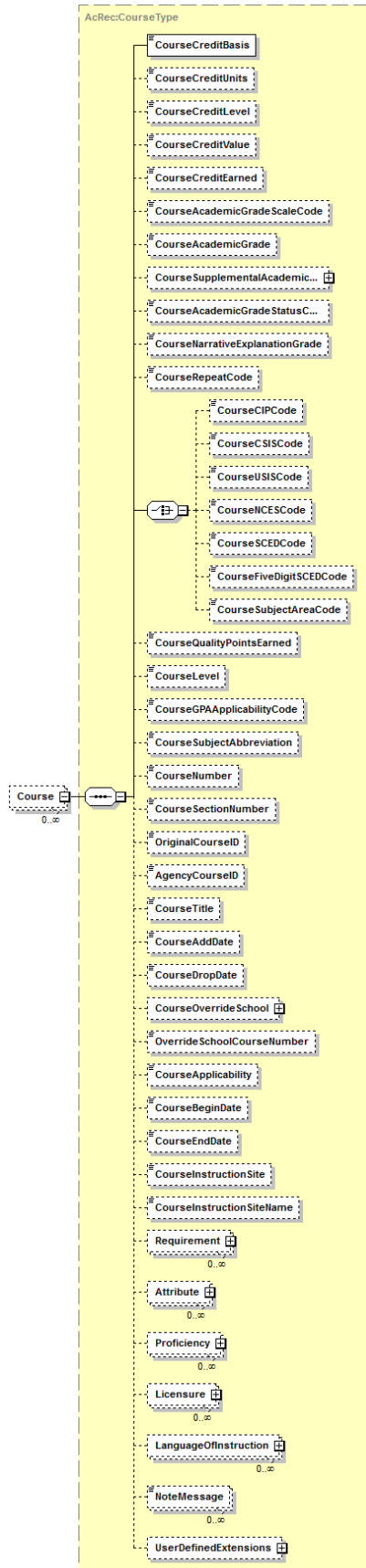


Tag Name	Schema Use	Description	Recommended Use	Format
ProgramESISCode	Optional exclusive choice	Code indicating a discipline or field of study assigned by the Statistics Canada Enhanced Student Information System.	Not Recommended	minOcc 0 maxOcc 1 minLength 1 maxLength 20
ProgramLocalCode	Optional exclusive choice	This is a code typically created and used within a school or school district	Optional	minOcc 0 maxOcc 1 minLength 1 maxLength 20
<b>Comment:</b> While this local code would be appropriate for use within a school, school district or perhaps even a state, it would not be a good code set for general use.				
AcademicProgramType	Optional	Indicates whether the academic program is a major, minor, area of concentration or specialization.	Optional	minOcc 0 maxOcc 1  <b>Enumerations:</b> Concentration Focus Major Minor SecondMajor Specialization
AcademicProgramName	Optional	Literal name of program, major, or field of study.	Recommended	minOcc 0 maxOcc 1 minLength 1 maxLength 60
NoteMessage	Optional Repeatable	Additional information about the Academic Program	Not Recommended	minOcc 0 maxOcc ∞ minLength 1 maxLength 80

Code illustration:

```
<AcademicProgram>
  <ProgramSecondarySchoolCode>General</ProgramSecondarySchoolCode>
  <AcademicProgramType>Major</AcademicProgramType>
  <AcademicProgramName>General Transfer</AcademicProgramName>
  <NoteMessage/>
</AcademicProgram>
```

### Student.AcademicRecord.AcademicSession.Course



Tag Name	Schema Use	Description	Recommended Use	Format
CourseCreditBasis	Required	The type of enrollment associated with the credit hours for the course.	Required	minOcc 1 maxOcc 1  <b>Enumerations:</b> Regular AcademicRenewal AdvancedPlacement AdvancedStanding ContinuingEducation Exemption Equivalence InternationalBaccalaureate LifeExperience Military Remedial CreditByExam HighSchoolTransferCredit HighSchoolCreditOnly HighSchoolDualCredit JuniorHighSchoolCredit Major AdultBasic
CourseCreditUnits	Optional	The type of credit (unit, semester, or quarter) associated with the credit hours earned for the course.	Recommended	minOcc 0 maxOcc 1  <b>Enumerations:</b> NoCredit Quarter Semester Units ClockHours CarnegieUnits ContinuingEducationUnits Unreported Other
CourseCreditLevel	Optional	The level of credit associated with the credit hours earned for the course.	Optional	minOcc 0 maxOcc 1  <b>Enumerations:</b> SeventhGrade EighthGrade NinthGrade TenthGrade EleventhGrade TwelfthGrade DualHighSchoolCollege Secondary TechnicalPreparatory Vocational
CourseCreditValue	Optional	Number indicating the credit hours that may be earned in the course.	Recommended	minOcc 0 maxOcc 1  xs:decimal
<b>Comment:</b> For example, if the course is worth 1 Carnegie Unit, and if the student withdrew from the course, but the course still appears on the high school transcript, then the value of this field is "1". Since it is a decimal field, it could also have a value of "1.0" or "1.00".				
CourseCreditEarned	Optional	The number of credits a student earned by the successful completion of a course.	Recommended	minOcc 0 maxOcc 1  xs:decimal
<b>Comment:</b> For example, if the course is worth 1 Carnegie Unit, and if the student passed the courset, then the value of this field is "1". Since it is a decimal field, it could also have a value of "1.0" or "1.00".				

Tag Name	Schema Use	Description	Recommended Use	Format
CourseAcademicGradeScaleCode	Optional	The grading scale used by an academic educational institution for an academic course.	Recommended	minOcc 0 maxOcc 1 See Appendix H
<b>Comment:</b> Grade scale is based on the American Medical Colleges Admissions Services (AMCAS) grade scale, values 01 through 99. See Appendix H for a complete list of code values.				
CourseAcademicGrade	Optional	The final grade awarded for participation in the course.	Recommended	minOcc 0 maxOcc 1 minLength 1 maxLength 10
CourseSupplementalAcademicGrade	Optional	Grades that are reported, which combine to make the final grade in a course.	Optional	minOcc 0 maxOcc 1
<b>Comment:</b> This complex data element will be expanded on page 188 which follows in this Guide.				
CourseAcademicGradeStatusCode	Optional	Special enrollment or completion status of this course	Recommended	minOcc 0 maxOcc 1  <b>Enumerations:</b> AuditedCourse Completed HonorsGrade Incomplete IncompleteNotResolvedFail InProgress NotYetReported OtherFailGrade OtherPassGrade PassFailFail PassFailPass PlanningToTake TransferNoGrade Withdrew WithdrewFailing WithdrewNoPenalty WithdrewPassing
<b>Comment:</b> For crosswalk purposes from and to the ANSI ASC X12 EDI transaction grade scale codes, the equivalents are 500 – InProgress; 501 – PassFailPass; 502 – PassFailFail; 503 – CreditByExam; 504 – TransferNoGrade; 505 – Incomplete; 506 – WithdrewNoPenalty; 507 – WithdrewPassing; 509 – WithdrewFailing; 510 – HonorsGrade; 511 – AuditedCourse; 512 – Exempted; 513 – NotYetReported; 514 – IncompleteNotResolvedFail; 530 – OtherPassGrade; 531 – OtherFailGrade.				
CourseNarrativeExplanationGrade	Optional	The narrative of the grade awarded to a student in an academic course in those cases where a course does not receive a letter or numeric grade included in the grading scale of the Course Academic Grade Qualifier.	Not Recommended	minOcc 0 maxOcc 1 minLength 1 maxLength 200
CourseRepeatCode	Optional	Indicates that an academic course has been repeated by a student and how that repeat is to be computed in the student's academic grade average.	Recommended	minOcc 0 maxOcc 1  <b>Enumerations:</b> RepeatCounted RepeatNotCounted ReplacementCounted ReplacedNotCounted RepeatOtherInstitution NotCountedOther
<b>Comment:</b> If the sending high school has no policy on how to treat repeated courses, then this data element can be ignored by the sending high school. Likewise, if the receiving school has no policy or has a policy to ignore repeat calculations, then it can also be ignored. But if the sending school has such a policy, then this is the place to indicate that policy. For example, if the student previously took the same course, received a failing grade and has now completed this course with a passing grade, then the appropriate value might be "ReplacementCounted". Likewise, if this is the first attempt of the course, then this value might be "RepeatNotCounted".				

Tag Name	Schema Use	Description	Recommended Use	Format
CourseCIPCode	Optional Choice	The Classification of Instructional Programs (CIP) code to describe the area of study for the course.	Not Recommended	minOcc 0 maxOcc 1 minLength 1 maxLength 10
CourseCSISCode	Optional Choice	The Statistics Canada Canadian College Student Information System (CCSIS) code to describe the area of study for the course.	Not Recommended	minOcc 0 maxOcc 1 minLength 1 maxLength 10
CourseUSISCode	Optional Choice	The Statistics Canada University Student Information System (USIS) code to describe the area of study for the course.	Not Recommended	minOcc 0 maxOcc 1 minLength 1 maxLength 10
CourseNCESCode	Optional Choice	The code set developed (or being developed) by the United States Department of Education's National Center for Education Statistics for the Classification of Secondary School Courses	Optional (use one)	minOcc 0 maxOcc 1 minLength 1 maxLength 10
CourseSCEDCode	Optional Choice	The School Codes for the Exchange of Data (SCED) code set being developed for the United States Department of Education's National Center for Education Statistics to describe the content and level of a course	Optional (use one)	minOcc 0 maxOcc 1 minLength 12 maxLength 12
<p><b>Comment:</b> This is a code set that has just been approved by the National Center for Education Statistics. It is structured as follows:  <i>Digits 1, 2: This is the major subject area of course content in the high school course. Its breakdown is shown as the next data element (CourseSubjectAreaCode) which follows.</i>  <i>Digits 3-5: A further breakdown of the course content in the high school course.</i>  <i>Digit 6: Course Level (B for basic or remedial; G for general or regular; E for enriched or advanced, and H for honors.</i>  <i>Digits 7-10: Available Credit. For example, a course offered as a 1 Carnegie Unit course would indicate 1.00</i>  <i>Digits 11-12: Sequence of Courses. For example, 34 would be used to indicate this is the third course in a 4 course sequence.</i></p>				
CourseFiveDigitSCEDCode	Optional Choice	This set of code values is derived from the first five digits of the CourseSCEDCode above.	Optional	minOcc 0 maxOcc 1 minLength 5 maxLength 5
<p><b>Comment:</b> The CourseFiveDigitSCED is a code set to describe the content of a high school course.</p>				

Tag Name	Schema Use	Description	Recommended Use	Format
CourseSubjectAreaCode	Optional Choice	This set of code values is derived from the first two digits of the CourseSCEDCode above.	Optional (use one)	minOcc 0 maxOcc 1  <b>Enumerations:</b> EnglishLanguageLiterature Mathematics LifePhysicalSciences SocialSciencesHistory FinePerformingArts ForeignLanguageLiterature ReligiousEducationTheology PhysicalHealthSafetyEducation MilitaryScience ComputerInformationSciences CommunicationsAudioVisual Technology BusinessMarketing Manufacturing HealthCareSciences PublicProtectiveGovernment Service HospitalityTourism ArchitectureConstruction AgriculturefoodNaturalResources HumanServices TransportationDistributionLogistics EngineeringTechnology Miscellaneous
<p><b>Comment:</b> The CourseSubjectAreaCode is a code set that is based on the first two digits of the Course SCED Code above. The SCED Code is maintained by the US Department of Education's National Center for Education Statistics (NCES). If it is updated in the future, then PESC will keep this code set in synch with the first two digits of the SCED Code.</p>				
CourseQualityPointsEarned	Optional	The numerical value assigned to a letter grade to provide a basis of quantitative determination of an average.	Recommended	minOcc 0 maxOcc 1  xs:decimal
<p><b>Comment:</b> For example, if the student earned a grade of B in the course, and if the grade of B is worth 3 grade points, and if this course was worth 1 Carnegie Unit, then the value of this data element is "3". Likewise, for a course that is worth 0.5 Carnegie Units, a grade of B would be worth "1.5" CourseQualityPointsEarned.</p>				
CourseLevel	Optional	The level of work demonstrated by successful completion of the academic course being described	Recommended	minOcc 0 maxOcc 1  <b>Enumerations:</b> Accelerated AdultBasic AdvancedPlacement Basic InternationalBaccalaureate CollegeLevel CollegePreparatory GiftedTalented Honors NonAcademic Regents Remedial SpecialEducation TechnicalPreparatory Vocational

Tag Name	Schema Use	Description	Recommended Use	Format
CourseGPAApplicabilityCode	Optional	An indicator of whether or not this course being described is included in the computation of the student's Grade Point Average, and if so, if it weighted differently from regular courses.	Recommended	minOcc 0 maxOcc 1  <b>Enumerations:</b> Applicable NotApplicable Weighted
CourseSubjectAbbreviation	Optional	The alphabetic abbreviation of the academic department or discipline offering the course. It is one part of the total course identifier number.	Recommended	minOcc 0 maxOcc 1 minLength 1 maxLength 10
<b>Comment:</b> As with all recommended data elements, if the sending school does not use alphabetic abbreviations as part of the course numbering system, then this data element would not exist and would not be included.				
CourseNumber	Optional	The official reference number portion of a course identifier. This number frequently designates the level of the course as well as the level of the student expected to enroll in the course	Recommended	minOcc 0 maxOcc 1 minLength 1 maxLength 15
CourseSectionNumber	Optional	The number assigned to differentiate among distinct occurrences of courses that have the same course abbreviation and number but may be considered to be different. For example, it could be used to identify the instructor.	Optional	minOcc 0 maxOcc 1 minLength 1 maxLength 10
<b>Comment:</b> If course section number is used, it should probably be further explained in a note. If it only means, for example, that the course was taught at 9 am instead of 8 am, then it should probably not be included. However, it could be used in the future to transmit an identifier for the instructor of the course.				
OriginalCourseID	Optional	The course ID as it was listed when the credit was earned (e.g. before a system conversion) to show consistency between present transcripts and older ones.	Recommended	minOcc 0 maxOcc 1 minLength 1 maxLength 30
AgencyCourseID	Optional	The course ID that might have been assigned to this course by the state or other agency	Optional	minOcc 0 maxOcc 1 minLength 1 maxLength 30
CourseTitle	Optional	The name or title of the course taken by a student at an academic institution.	Recommended	minOcc 0 maxOcc 1 minLength 1 maxLength 60
CourseAddDate	Optional	The date a student was added to an academic course at a school.	Optional	minOcc 0 maxOcc 1  xs:date
<b>Comment:</b> Most high schools would not have this date readily available in the school's database. It would be of questionable value to the receiving postsecondary institution. The format of date is ccyy-mm-dd.				
CourseDropDate	Optional	The date on which the student drops or withdraws from the course.	Optional	minOcc 0 maxOcc 1  xs:date
<b>Comment:</b> If this date is readily available, it might be of some value to the receiving postsecondary institution. However, most postsecondary institutions would probably ignore this field.				

Tag Name	Schema Use	Description	Recommended Use	Format
CourseOverrideSchool	Optional	The school where the credit was earned if different from the Academic Session School	Conditional	minOcc 0 maxOcc 1
<b>Comment:</b> This might be used when a full time student at one school is also taking one course at another high school, community college or university during the session by some sort of prior institutional agreement. This complex data element will be expanded on page 191 which follows in this Guide.				
OverrideSchoolCourseNumber	Optional	The course ID as it was listed at the school where the credit was earned	Conditional	minOcc 0 maxOcc 1 minLength 1 maxLength 35
<b>Comment:</b> CourseOverrideSchool and OverrideSchoolCourseNumber are normally used for situations like consortiums, concurrent enrollment or transfer courses, although transfer work is recommended to be reported in a separate session with an override school.				
CourseApplicability	Optional	The academic program to which this academic course applies toward graduation.	Not Recommended	minOcc 0 maxOcc 1  <b>Enumeration:</b> NotApplicable FirstProgram SecondProgram BothPrograms
CourseBeginDate	Optional	The official begin date for this course	Optional	minOcc 0 maxOcc 1  xs:date
<b>Comment:</b> The format of date is ccyy-mm-dd.				
CourseEndDate	Optional	The official end date for this course	Optional	minOcc 0 maxOcc 1  xs:date
<b>Comment:</b> CourseBeginDate and CourseEndDate are recommended when the dates differ from the session begin and end dates. The format for date is ccyy-mm-dd.				
CourseInstructionSite	Optional	An indication of the type of location at which the course is taught.	Optional	minOcc 0 maxOcc 1  <b>Enumerations:</b> OnCampus OffCampus Extension StudyAbroad Correctional Military Telecommunication Auxiliary ClinicHospital
CourseInstructionSiteName	Optional	The name of the location at which the course is taught.	Optional	minOcc 0 maxOcc 1 minLength 1 maxLength 30
Requirement	Optional Repeatable	Curriculum requirements satisfied by successful completion of this course	Optional	minOcc 0 maxOcc ∞
<b>Comment:</b> This optional data element will be expanded on page 207 which follows in this Guide.				
Attribute	Optional Repeatable	Attributes of this course which may require special handling by the receiving institution	Optional	minOcc 0 maxOcc ∞
<b>Comment:</b> This optional data element will be expanded on page 209 which follows in this Guide.				



Tag Name	Schema Use	Description	Recommended Use	Format
Proficiency	Optional Repeatable	Proficiency level signified by successful completion of this course	Optional	minOcc 0 maxOcc ∞
<b>Comment:</b> This optional data element will be expanded on page 211 which follows in this Guide.				
Licensure	Optional Repeatable	Licensure requirements satisfied by successful completion of this course	Optional	minOcc 0 maxOcc ∞
<b>Comment:</b> This optional data element will be expanded on page 213 which follows in this Guide.				
LanguageOfInstruction	Optional Repeatable	Language associated with one or more aspects of the course	Optional	minOcc 0 maxOcc ∞
<b>Comment:</b> This optional data element would not be sent if the language is English and the sending school is in the United States. This optional data element will be expanded on page 214 which follows in this Guide.				
NoteMessage	Optional Repeatable	Additional information about the course	Not Recommended	minOcc 0 maxOcc ∞ minLength 1 maxLength 80
UserDefinedExtensions	Optional	Additional structured information. Requires mutually defined XML schema.	Optional	minOcc 0 maxOcc 1
<b>Comment:</b> This is the appropriate place in the instance document to include courses taken at the sending school. It is also the appropriate place to include courses taken at another school if sufficient information is available to include data about the session at the other school.				

## Student.AcademicRecord.AcademicSession.Course (Continued)

Code illustration:

```
<Course>
  <CourseCreditBasis>Regular</CourseCreditBasis>
  <CourseCreditUnits>CarnegieUnits </CourseCreditUnits>
  <CourseCreditLevel>NinthGrade</CourseCreditLevel>
  <CourseCreditValue>1</CourseCreditValue>
  <CourseCreditEarned>1</CourseCreditEarned>
  <CourseAcademicGradeScaleCode>25</CourseAcademicGradeScaleCode>
  <CourseAcademicGrade>A</CourseAcademicGrade>
  <CourseSupplementalAcademicGrade>

  </CourseSupplementalAcademicGrade>
  <CourseNarrativeExplanationGrade />
  <CourseRepeatCode>RepeatCounted</CourseRepeatCode>
  <CourseFiveDigitSCEDCode>04151</CourseFiveDigitSCEDCode>
  <CourseSubjectAreaCode>SocialSciencesHistory</CourseSubjectAreaCode>
  <CourseQualityPointsEarned>4</CourseQualityPointsEarned>
  <CourseLevel>CollegePreparatory</CourseLevel>
  <CourseSubjectAbbreviation>HIS</CourseSubjectAbbreviation>
  <CourseNumber>201</CourseNumber>
  <CourseSectionNumber />
  <OriginalCourseID>HIST201</OriginalCourseID>
  <AgencyCourseID>HIS020201</AgencyCourseID>
  <CourseTitle>United States History 1</CourseTitle>
  <CourseAddDate>2005-09-01</CourseAddDate>
  <CourseDropDate/>
  <CourseOverrideSchool>

  </CourseOverrideSchool>
  <OverrideSchoolCourseNumber/>
  <CourseApplicability/>
  <CourseBeginDate>2005-09-01</CourseBeginDate>
  <CourseEndDate>2005-12-07</CourseEndDate>
  <CourseInstructionSite>OnCampus</CourseInstructionSite>
  <CourseInstructionSiteName/>
  <Requirement>

  </Requirement>
  <Attribute>

  </Attribute>
  <Proficiency>

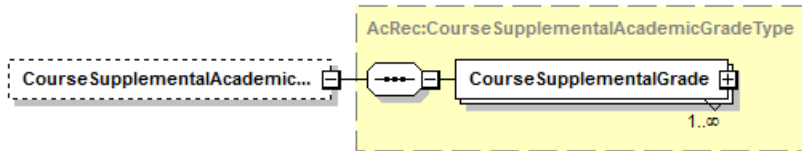
  </Proficiency>
  <Licensure>

  </Licensure>
  <LanguageOfInstruction>

  </LanguageOfInstruction>
  <NoteMessage/>
  <UserDefinedExtensions/>
</Course>
```

**Student.AcademicRecord.AcademicSession.Course.  
CourseSupplementalAcademicGrade**

**Note:** Although the complex data element *CourseSupplementalAcademicGrade* is optional, if you include it in the instance document, then at least one occurrence of the complex data element *CourseSupplementalGrade* is required.



Tag Name	Schema Use	Description	Recommended Use	Format
CourseSupplementalGrade	Required Repeatable	Information in the child data element CourseSupplementalGrade about the inclusion of component parts of a grade in a course.	Required	minOcc 1 maxOcc ∞

**Comment:** *CourseSupplementalAcademicGrade* is optional and has only one child data element. This structure is created so the processing of the incoming transcript is greatly simplified if the transcript includes no supplemental grades. This complex data element will be expanded on the following page (189).

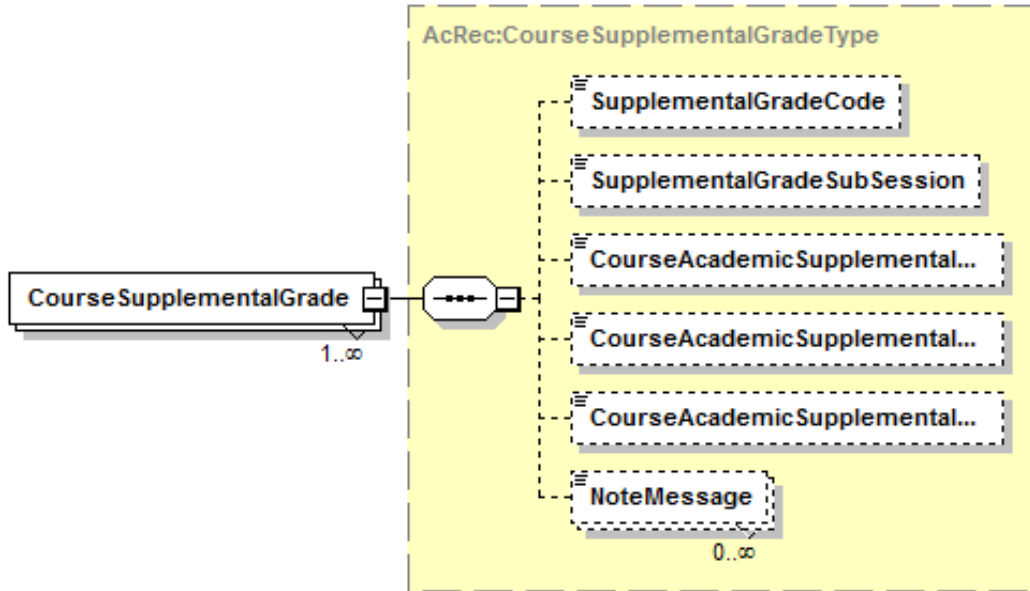
Code illustration:

```

<CourseSupplementalAcademicGrade>
  <CourseSupplementalGrade>

  </CourseSupplementalGrade>
</CourseSupplementalAcademicGrade>
  
```

**Student.AcademicRecord.AcademicSession.Course.  
CourseSupplementalAcademicGrade.CourseSupplementalGrade**



Tag Name	Schema Use	Description	Recommended Use	Format
SupplementalGradeCode	Optional	The type of component grade that is being included for an education course	Recommended	minOcc 0 maxOcc 1  <b>Enumerations:</b> BiCourseGrade BlendedFinalGrade ExamGrade InstructorAssignedGrade SubSessionGrade TriCourseGrade
<b>Comment:</b> If this data element is to be used effectively, a code set should be created by a state or region. An example is given below in the Code Illustration. If not, then User Defined Extensions would be an alternate method of including this information.				
SupplementalGradeSubSession	Optional	This is the numeric count of the subsession of a course. The earliest subsession would have the value of "1". The next would be "2", etc. Each would be a positive whole number.	Optional	minOcc 0 maxOcc 1
CourseAcademicSupplementalGradeScaleCode	Optional	The grading scale used by an academic educational institution for an academic course.	Optional	minOcc 0 maxOcc 1 minLength 1 maxLength 3
<b>Comment:</b> Grade scale is based on the American Medical Colleges Admissions Services (AMCAS) grading scale, values 01 through 99. See Appendix H for a complete list of code values.				

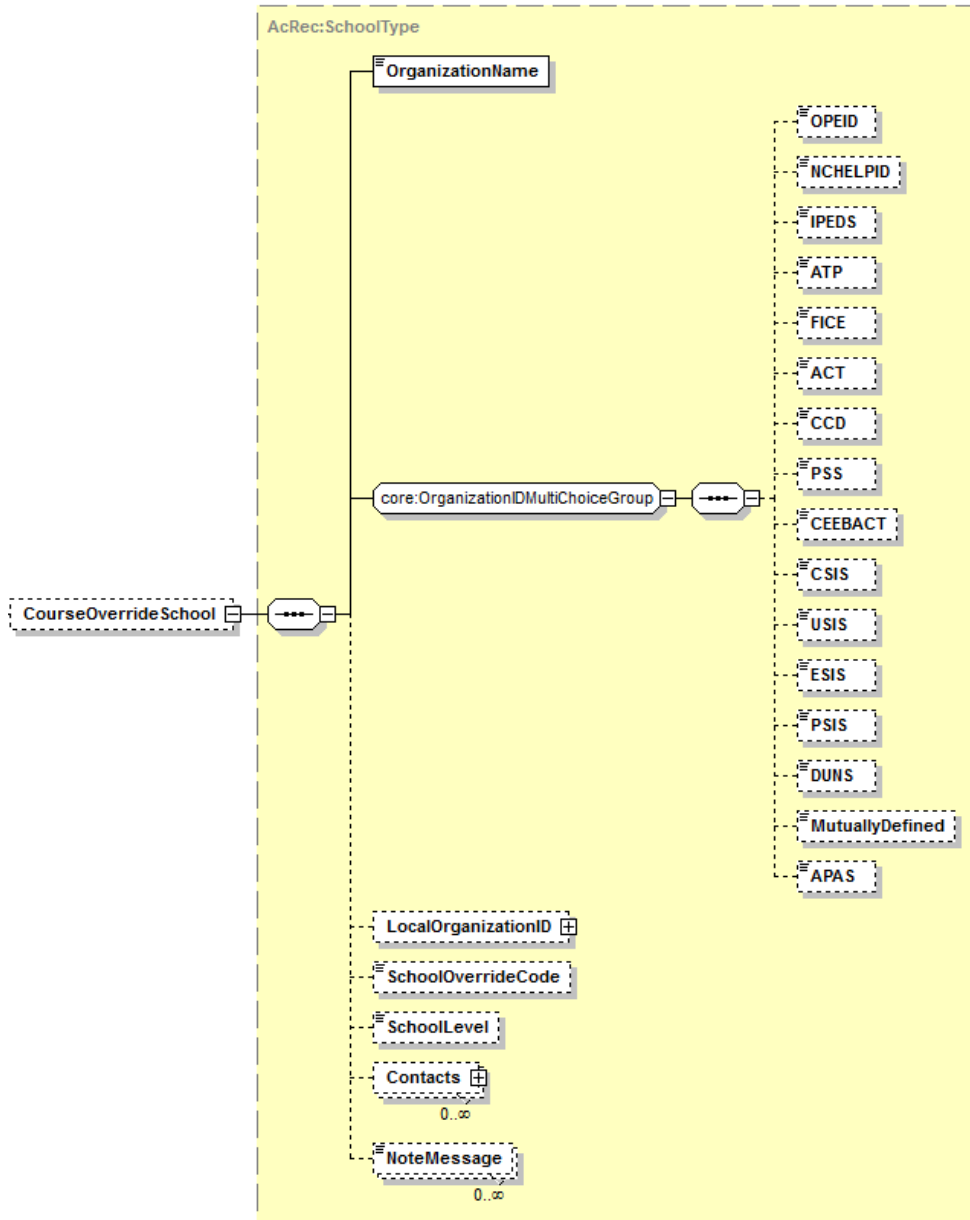
Tag Name	Schema Use	Description	Recommended Use	Format
CourseAcademicSupplementalGradeStatusCode	Optional	Special enrollment or completion status of this course	Optional	minOcc 0 maxOcc 1  <b>Enumerations:</b> AuditedCourse HonorsGrade Incomplete IncompleteNotResolvedFail InProgress NotYetReported OtherFail OtherPass PassFailFail PassFailPass TransferNoGrade Withdrew WithdrewFailing WithdrewNoPenalty WithdrewPassing
<b>Comment:</b> For crosswalk purposes from and to the ANSI ASC X12 EDI transaction grade scale codes, the equivalents are 500 – InProgress; 501 – PassFailPass; 502 – PassFailFail; 503 – CreditByExam; 504 – TransferNoGrade; 505 – Incomplete; 506 – WithdrewNoPenalty; 507 – WithdrewPassing; 509 – WithdrewFailing; 510 – HonorsGrade; 511 – AuditedCourse; 512 – Exempted; 513 – NotYetReported; 514 – IncompleteNotResolvedFail; 530 – OtherPassGrade; 531 – OtherFailGrade.				
CourseAcademicSupplementalGrade	Optional	The academic grade reported for this component or supplemental course	Optional	minOcc 0  maxOcc 1 minLength 1 maxLength 10
<b>Comment:</b> The format of date is cyy-mm-dd.				
NoteMessage	Optional Repeatable	Additional information about the Course Supplemental Grade	Not Recommended	minOcc 0 maxOcc ∞ minLength 1 maxLength 80

Code illustration:

```

<CourseSupplementalGrade>
  <SupplementalGradeCode>InstructorAssignedGrade</SupplementalGradeCode>
  <SupplementalGradeSubSession/>
  <CourseAcademicSupplementalGradeScaleCode>25<CourseAcademicSupplementalGradeScaleCode>
  <CourseAcademicSupplementalGradeStatusCode/>
  <CourseAcademicSupplementalGrade>B<CourseAcademicSupplementalGrade>
  <NoteMessage/>
</CourseSupplementalGrade>
    
```

**Student.AcademicRecord.AcademicSession.Course.  
CourseOverrideSchool**



**Student.AcademicRecord.AcademicSession.Course.  
CourseOverrideSchool (Continued)**

Tag Name	Schema Use	Description	Recommended Use	Format
----------	------------	-------------	-----------------	--------

Tag Name	Schema Use	Description	Recommended Use	Format
OrganizationName	Required	Name of override school	Required	minOcc 1 maxOcc 1 minLength 1 maxLength 60
<b>Comment:</b> The group core:OrganizationIDMultiChoiceGroup is not an XML tag and does not appear in the instance document. It allows for the optional use of multiple occurrences of code sets for an individual school, provided they occur in the same order in which they appear in the schema.				
OPEID	Optional choice	The unique identifier assigned by the Office of Postsecondary Education for each data exchange partner.	Optional choice	minOcc 0 maxOcc 1 minLength 3 maxLength 8
<b>Comment:</b> The OPEID would only be appropriate if the course were taken at a postsecondary institution.				
NHELPID	Optional choice	The unique identifier assigned by National Council on Higher Education Loan Programs for each data exchange partner.	Not Recommended	minOcc 0 maxOcc 1 minLength 3 maxLength 8
<b>Comment:</b> The NHELPID is not an appropriate code set to describe a school that offers academic courses.				
IPEDS	Optional choice	The unique identifier assigned by the National Center for Education Statistics for the Integrated Postsecondary Education Data System for each postsecondary data exchange partner.	Optional choice	minOcc 0 maxOcc 1 minLength 6 maxLength 6
<b>Comment:</b> The IPEDS code set is not appropriate for indicating a high school that offers an academic course. However, if this override school is a postsecondary institution, then this is an appropriate choice.				
ATP	Optional choice	The unique identifier assigned for the Admissions Testing Program by the College Board for each postsecondary data exchange partner.	Optional choice	minOcc 0 maxOcc 1 minLength 6 maxLength 6
<b>Comment:</b> The ATP code set is not appropriate for indicating a high school that offers an academic course, but if this override school is a postsecondary institution, then this is an appropriate choice.				
FICE	Optional choice	The unique identifier assigned for the Federal Interagency Committee on Education by the US Department of Education's National Center for Education Statistics for each postsecondary data exchange partner	Optional choice	minOcc 0 maxOcc 1 minLength 6 maxLength 6
<b>Comment:</b> The FICE code set is not appropriate for indicating a high school that offers an academic course, but if this override school is a postsecondary institution, then this is an appropriate choice. However, even though this code set is widely used in the postsecondary area, it has not been maintained since the last century.				
ACT	Optional choice	The unique identifier assigned by the American College Testing or ACT for each postsecondary data exchange partner. See www.act.org.	Optional choice	minOcc 0 maxOcc 1 minLength 4 maxLength 4
<b>Comment:</b> The ACT code set is not appropriate for indicating a high school that offers an academic course, but if this override school is a postsecondary institution, then this is an appropriate choice.				
CCD	Optional choice	The unique identifier assigned by the US Department of Education's National Center for Education Statistics as the Common Core of Data for each K12 data exchange partner.	Recommended choice	minOcc 0 maxOcc 1 minLength 12 maxLength 12

Tag Name	Schema Use	Description	Recommended Use	Format
PSS	Optional choice	The unique identifier assigned to private K12 schools in the US by the US Department of Education's National Center for Education Statistics (NCES)	Recommended choice	minOcc 0 maxOcc 1 minLength 8 maxLength 8
<b>Comment:</b> The PSS would be a good choice to identify private secondary schools in the US.				
CEEBACT	Optional choice	The unique identifier assigned by the College Entrance Examining Board and ACT for each K12 data exchange partner.	Recommended choice	minOcc 0 maxOcc 1 minLength 6 maxLength 6
<b>Comment:</b> The CEEBACT code set is arguably the most common code for indicating a high school that offers academic courses.				
CSIS	Optional choice	The unique identifier assigned by the Statistics Canada Canadian College Student Information System for each postsecondary data exchange partner	Not Recommended	minOcc 0 maxOcc 1 minLength 6 maxLength 6
<b>Comment:</b> The CSIS code set is no longer being used in Canada. It was previously used to identify colleges in Canada.				
USIS	Optional choice	The unique identifier assigned by the Statistics Canada University Student Information System for each postsecondary data exchange partner	Not Recommended	minOcc 0 maxOcc 1 minLength 6 maxLength 6
<b>Comment:</b> The USIS code set is no longer being used in Canada. It was previously used to identify universities in Canada.				
ESIS	Optional choice	The unique identifier assigned by the Statistics Canada Enhanced Student Information System for each postsecondary data exchange partner.	Not Recommended	minOcc 0 maxOcc 1 minLength 8 maxLength 8
<b>Comment:</b> The ESIS code set is also in the process of being phased out to identify postsecondary schools in Canada. It is being replaced by the PSIS code set below. It would not be an acceptable choice to identify secondary schools.				
PSIS	Optional choice	The unique identifier assigned by the Statistics Canada Enhanced Student Information System for each data exchange partner.	Optional choice	minOcc 0 maxOcc 1 minLength 8 maxLength 8
<b>Comment:</b> The PSIS code set would be the preferred choice to identify postsecondary schools in Canada. It would not be an acceptable choice to identify secondary schools.				
DUNS	Optional choice	Data Universal Numbering System (DUNS), unique nine character company identification number issued by Dun and Bradstreet Corporation.	Not Recommended	minOcc 0 maxOcc 1 minLength 9 maxLength 9
<b>Comment:</b> The DUNS code would not normally be an appropriate code set to use to indicate an academic institution.				
MutuallyDefined	Optional choice	This code set could be used by prior agreement among a set of trading partners.	Optional choice	minOcc 0 maxOcc 1 minLength 1 maxLength 60
<b>Comment:</b> MutuallyDefined would not normally be an appropriate code set to use to indicate an academic institution unless a prior agreement had been made among trading partners..				
APAS	Optional choice	Identification codes used by the Alberta Post-Secondary Application System.	Optional choice	minOcc 0 maxOcc 1 minLength 2 maxLength 12
<b>Comment:</b> This is an appropriate choice for institutions in Canada.				
<b>Comment:</b> Although it is not necessary to send one of the above 12 codes, if you choose to do so, then choose one of the appropriate codes.				



Tag Name	Schema Use	Description	Recommended Use	Format
LocalOrganizationID	Optional	A code set typically used by a state, province or region to further identify the school whose record is being sent	Optional	minOcc 0 maxOcc 1
<b>Comment:</b> This complex data element will be expanded on page 195 which follows.				
SchoolOverrideCode	Optional	The source of the academic credit <b>if not awarded by the home or parent institution.</b> <i>Institutional</i> - Institutional Agreement <i>Multicampus</i> - Multiple Campus Course Offering <i>Transfer</i> - Transfer Credit <i>StudyAbroad</i> - Study Abroad <i>Coop</i> - Cooperative Program <i>Reciprocal</i> - Reciprocal Exchange <i>Internship</i> - Internship	Recommended	minOcc 0 maxOcc 1  <b>Enumerations:</b> Institutional Multicampus Transfer StudyAbroad Coop Reciprocal Internship
SchoolLevel	Optional	Indicates level of Override School	Recommended	minOcc 0 maxOcc 1  <b>Enumerations:</b> Elementary HighSchool JuniorHigh Middle Other Postsecondary Secondary
Contacts	Optional Repeatable	Contact info at Override School	Optional	minOcc 0 maxOcc ∞
<b>Comment:</b> The sending school would not normally have any information about contacts at the override school so this would not normally be included with the High School Transcript. This complex data element will be expanded on page 196 which follows.				
NoteMessage	Optional Repeatable	Additional information about the Override School	Not Recommended	minOcc 0 maxOcc ∞ minLength 1 maxLength 80

## Student.AcademicRecord.AcademicSession.Course. CourseOverrideSchool (Continued)

Code illustration:

```

<CourseOverrideSchool>
  <OrganizationName>Miami Dade School District; Miami Senior High School</OrganizationName>
  <CEEBACT>101075</CEEBACT>
  <CCD>123456789012</CCD>
  <LocalOrganizationID>

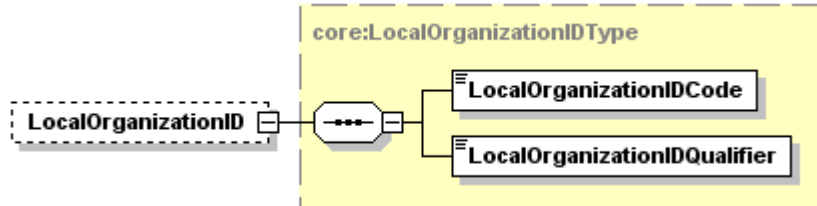
  </LocalOrganizationID>
  <SchoolOverrideCode>Reciprocal</SchoolOverrideCode>
  <SchoolLevel>Secondary</SchoolLevel>
  <Contacts>

  </Contacts>
  <Note/Message/>
</CourseOverrideSchool>

```

**Student.AcademicRecord.AcademicSession.Course.  
CourseOverrideSchool.LocalOrganizationID**

**Note:** Although the complex data element *LocalOrganizationID* is an optional data element, if you choose to send *LocalOrganizationID*, then you must also send both *LocalOrganizationIDCode* and also *LocalOrganizationIDQualifier*.

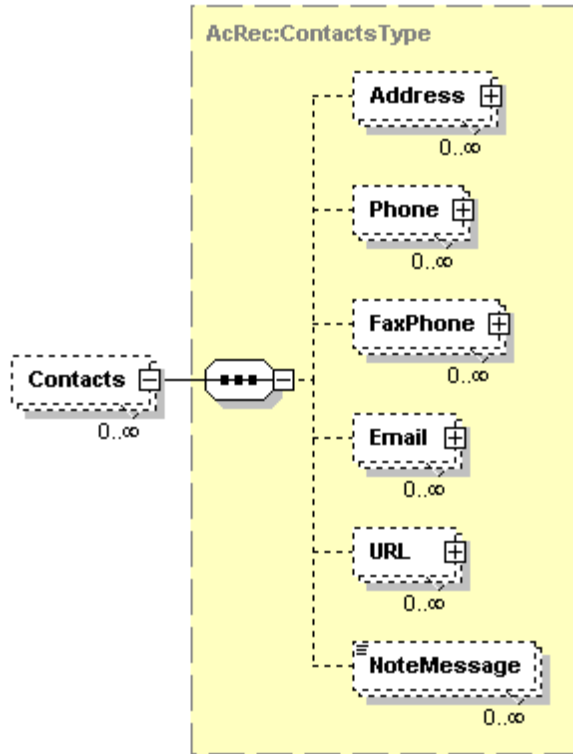


Tag Name	Schema Use	Description	Recommended Use	Format
LocalOrganizationIDCode	Required	The code assigned for the receiving school by the state, province or other mutually defined agency specified in the LocalOrganizationIDQualifier that follows.	Required	minOcc 1 maxOcc 1 minLength 1 maxLength 35
<b>Comment:</b> This is a required data element only if the LocalOrganizationID data element is sent. This is typically the administrative school code assigned by a state or province to identify the override school in that state.				
LocalOrganizationIDQualifier	Required	This is the state, province or other mutually defined agency that assigned the LocalOrganizationID Code above.	Required	minOcc 1 maxOcc 1  See Appendix A.
<b>Comment:</b> This is a required data element only if the LocalOrganizationID data element is sent. This is typically the state or province that assigned the code to identify the override school in that state.				

Code illustration:

```
<LocalOrganizationID>
  <LocalOrganizationIDCode>340005501</LocalOrganizationIDCode>
  <LocalOrganizationIDQualifier>FL</LocalOrganizationIDQualifier>
</LocalOrganizationID>
```

**Student.AcademicRecord.AcademicSession.Course.  
CourseOverrideSchool.Contacts**



Tag Name	Schema Use	Description	Recommended Use	Format
Address	Optional Repeatable	Address of the Override School	Recommended	minOcc 0 maxOcc ∞
<i>Comment: This complex data element will be expanded on page 198 which follows in this Guide.</i>				
Phone	Optional Repeatable	Phone Number of the Override School	Optional	minOcc 0 maxOcc ∞
<i>Comment: This complex data element will be expanded on page 201 which follows in this Guide.</i>				
FaxPhone	Optional Repeatable	Fax phone Number of the Override School	Optional	minOcc 0 maxOcc ∞
<i>Comment: This complex data element will be expanded on page 203 which follows in this Guide.</i>				
Email	Optional Repeatable	Email Address of the Override School	Optional	minOcc 0 maxOcc ∞
<i>Comment: This complex data element will be expanded on page 205 which follows in this Guide.</i>				
URL	Optional Repeatable	Universal Resource Locator of the Override School	Optional	minOcc 0 maxOcc ∞
<i>Comment: This complex data element will be expanded on page 206 which follows in this Guide.</i>				
NoteMessage	Optional Repeatable	Additional information about the contacts at the Override School	Not Recommended	minOcc 0 maxOcc ∞ minLength 1 maxLength 80

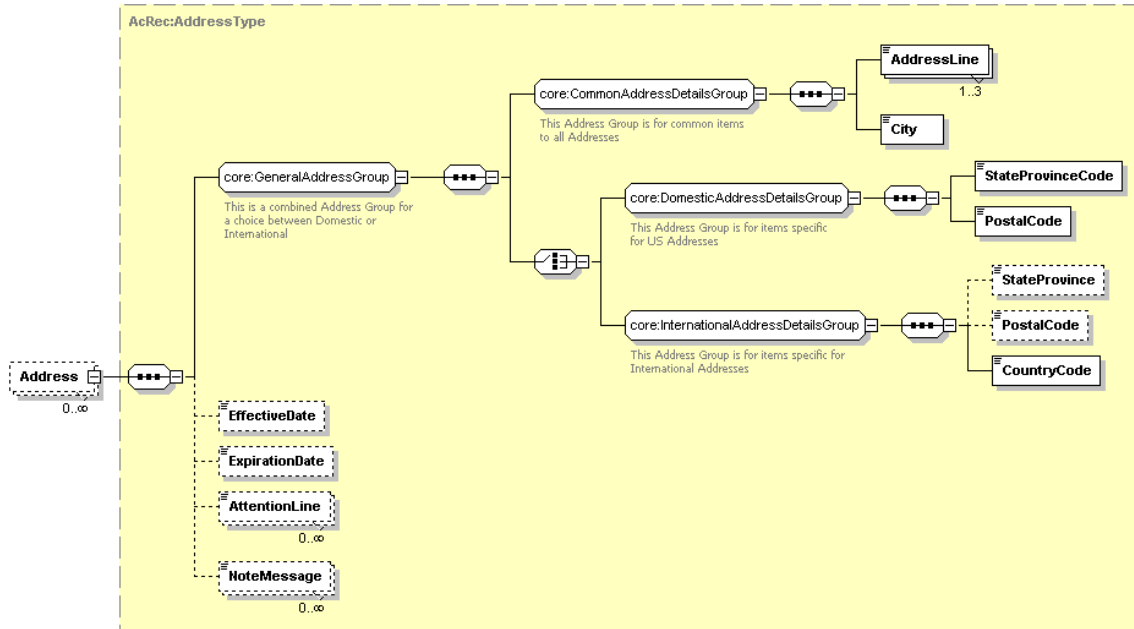
**Student.AcademicRecord.AcademicSession.Course.  
CourseOverrideSchool.Contacts (Continued)**

Code illustration:

```
<Contacts>  
  <Address>  
  
    </Address>  
    <Phone>  
  
      </Phone>  
      <FaxPhone>  
  
        </FaxPhone>  
        <Email>  
  
          </Email>  
          <URL>  
  
            </URL>  
            <NoteMessage/>  
</Contacts>
```

**Student.AcademicRecord.AcademicSession.Course.  
CourseOverrideSchool.Contacts.Address**

**Note:** Although the complex data element Address is an optional data element, if you choose to send the Address of the CourseOverrideSchool, then you must send AddressLine and City and also StateProvinceCode, and PostalCode Or CountryCode.



Tag Name	Schema Use	Description	Recommended Use	Format
GeneralAddressGroup	Required	This Address Group is for items common to all Addresses	Required	minOcc 1 maxOcc 1
<b>Comment:</b> [GeneralAddressGroup] does not appear in the instance document. It requires the use of CommonAddressDetailsGroup and the choice of one of either DomesticAddressDetailsGroup or InternationalAddressDetailsGroup. This group is required in the schema only if you choose to send the address of the contact.				
CommonAddressDetailsGroup	Required	This Address Group is for items common to all Addresses	Required	minOcc 1 maxOcc 1
<b>Comment:</b> [CommonAddressDetailsGroup] does not appear in the instance document. If the address of a contact is included in the transcript, then this must be sent. It is required and must be paired with one of either DomesticAddressDetailsGroup or InternationalAddressDetailsGroup.				
AddressLine	Required Repeatable	Local delivery information such as street, building number, PO box, or apartment portion of a postal address of a Contact at the Sending (Source) High School.	Required	minOcc 1 maxOcc 3 minLength 1 maxLength 40
City	Required	The city portion of the Address of a Contact at the Sending (Source) High School.	Required	minOcc 1 maxOcc 1 minLength 2 maxLength 30

Tag Name	Schema Use	Description	Recommended Use	Format
<i>DomesticAddressDetailsGroup</i>	Required choice	This Address Group is for items specific for US and Canadian Addresses	Required for domestic addresses	minOcc 1 maxOcc 1
<b>Comment:</b> [DomesticAddressDetailsGroup] does not appear in the instance document. If the complex data element address has a United States or Canadian Postal Code and a US State or Canadian Province Code, then this should be the required choice.				
StateProvinceCode	Required	Code for US states, etc., and Canadian provinces.	Required	minOcc 1 maxOcc 1  <b>Enumeration:</b> See Appendix A
PostalCode	Required	The postal code portion of the Address.	Required	minOcc 1 maxOcc 1 minLength 1 maxLength 17
<i>InternationalAddressDetailsGroup</i>	Required choice	This Address Group is for items specific for International Addresses	Required for international addresses	minOcc 1 maxOcc 1
<b>Comment:</b> [InternationalAddressDetailsGroup] does not appear in the instance document. This choice is for addresses that do not have a US or Canadian postal code.				
StateProvince	Optional	The literal name of the state, province or territory of a postal address of the source of this document. Use for addresses outside US or Canada.	Recommended Refer to common postal practices of the source country	minOcc 0 maxOcc 1 minLength 2 maxLength 30
<b>Comment:</b> For an internet resource of states or other geographical subdivisions in countries other than the US and Canada, you might choose to refer to the website of the Universal Postal Union at <a href="http://www.upu.int">http://www.upu.int</a>				
PostalCode	Optional	The postal code portion of the Address.	Recommended Refer to common postal practices of the source country	minOcc 0 maxOcc 1 minLength 1 maxLength 17
<b>Comment:</b> For an internet resource of states or other geographical subdivisions in countries other than the US and Canada, you might choose to refer to the website of the Universal Postal Union at <a href="http://www.upu.int">http://www.upu.int</a>				
CountryCode	Required	Code indicating Country. Use ISO 3166-1 alpha-2 standard.	Required	minOcc 1 maxOcc 1  <b>Enumerations:</b> See Appendix B
EffectiveDate	Optional	The date when this address for the override school becomes or became effective	Optional	minOcc 0 maxOcc 1 xs:date formatted as ccyy-mm-dd
ExpirationDate	Optional	The date when this address for the override school will no longer be valid	Optional	minOcc 0 maxOcc 1 xs:date formatted as ccyy-mm-dd
AttentionLine	Optional	The individual or office name within the postal address where inquiries should be directed.	Optional	minOcc 1 maxOcc ∞ minLength 1 maxLength 45
<b>Comment:</b> This might be used to indicate where questions about the record should be sent. For example, <i>Principal, Guidance Counselor, Headmaster, etc.</i>				
NoteMessage	Optional Repeatable	Additional information about the addresses of the contacts at the override school	Not recommended	minOcc 0 maxOcc ∞ minLength 1 maxLength 80

## Student.AcademicRecord.AcademicSession.Course. CourseOverrideSchool.Contacts.Address (Continued)

Code illustration 1 (Domestic Address):

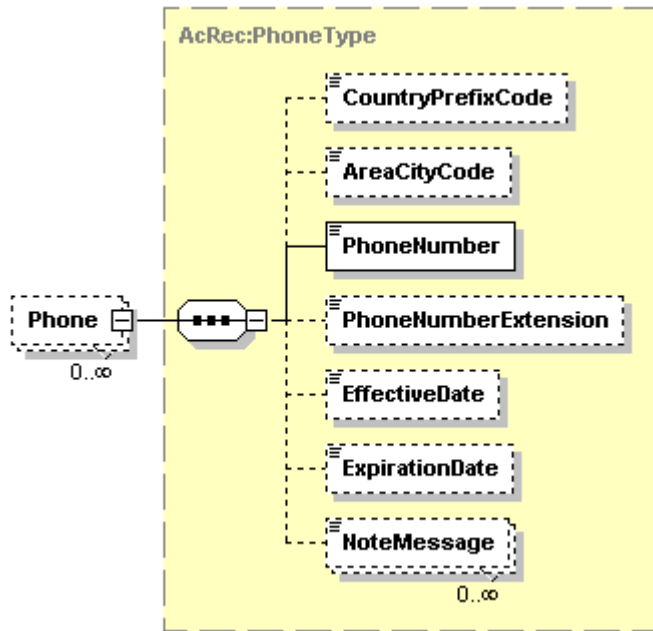
```
<Address>  
  <AddressLine>1715 W Cesar Chavez</AddressLine>  
  <City>Austin</City>  
  <StateProvinceCode>TX</StateProvinceCode>  
  <PostalCode>78703</PostalCode>  
  <EffectiveDate/>  
  <ExpirationDate/>  
  <AttentionLine>Jane Doe</AttentionLine>  
  <AttentionLine>GuidanceCounselor</AttentionLine>  
  <NoteMessage />  
  
</Address>
```

Code illustration 2 (International Address):

```
<Address>  
  <AddressLine>Altova Corporation</AddressLine>  
  <AddressLine>Rudolfsplatz 13a/9</AddressLine>  
  <City>Wien</City>  
  <StateProvince />  
  <PostalCode>A-1010</PostalCode>  
  <CountryCode>AT</CountryCode>  
  <EffectiveDate/>  
  <ExpirationDate/>  
  <AttentionLine/>  
</Address>
```

**Student.AcademicRecord.AcademicSession.Course.  
CourseOverrideSchool.Contacts.Phone**

**Note:** Although the complex data element Phone is an optional data element, if you choose to send the Phone of the Override School, then you must send the phone number.



Tag Name	Schema Use	Description	Recommended Use	Format
CountryPrefixCode	Optional	International dialing code.	Optional	minOcc 0 maxOcc 1 minLength 1 maxLength 3
AreaCityCode	Optional	Regional dialing code.	Recommended	minOcc 0 maxOcc 1 minLength 1 maxLength 5
<b>Comment:</b> This is the 3 digit area code in the United States and Canada.				
PhoneNumber	Required	Telephone number.	Required	minOcc 1 maxOcc 1 minLength 1 maxLength 11
PhoneNumberExtension	Optional	The extended telephone addressing information used in addition to phone number such as a PBX extension, a pager PIN, or FAX sub-address.	Optional	minOcc 0 maxOcc 1 minLength 1 maxLength 5
EffectiveDate	Optional	The date the phone number of the override school becomes effective.	Optional	minOcc 0 maxOcc 1 xs:date formatted as ccyy-mm-dd
ExpirationDate	Optional	The date the phone number of the override school will no longer be valid	Optional	minOcc 0 maxOcc 1 xs:date formatted as ccyy-mm-dd



NoteMessage	Optional Repeatable	Additional information about the phone number of the override school	Not recommended	minOcc 0 maxOcc ∞ minLength 1 maxLength 80
-------------	------------------------	--	-----------------	---

**Comment:** *This is the phone of the Course Override School. It would be very unusual for the school sending this transcript to have this information to include in the transcript.*

Code illustration:

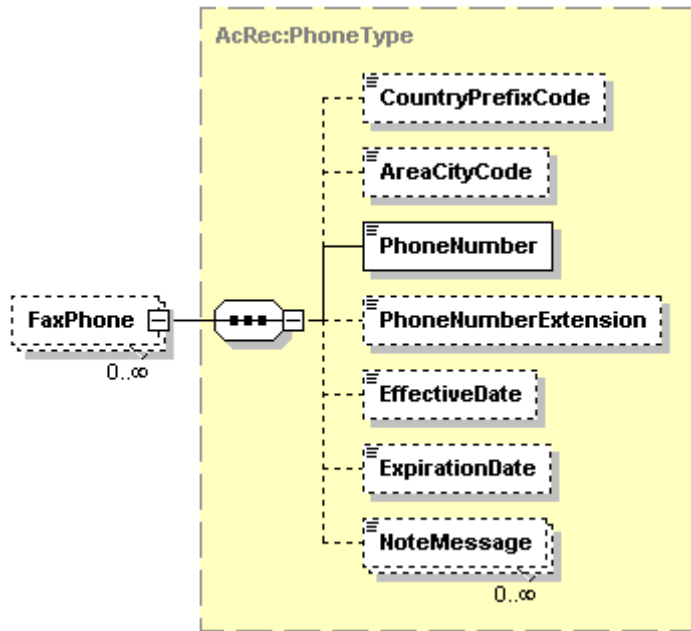
```

<Phone>
  <CountryPrefixCode/>
  <AreaCityCode>512</AreaCityCode>
  <PhoneNumber>4757638</PhoneNumber>
  <PhoneNumberExtension/>
  <EffectiveDate/>
  <ExpirationDate/>
  <NoteMessage/>
</Phone>

```

**Student.AcademicRecord.AcademicSession.Course.  
CourseOverrideSchool.Contacts.FaxPhone**

**Note:** Although the complex data element Fax Phone is an optional data element, if you choose to send the Fax Phone of the Override School, then you must send the phone number.



Tag Name	Schema Use	Description	Recommended Use	Format
CountryPrefixCode	Optional	International dialing code.	Optional	minOcc 0 maxOcc 1 minLength 1 maxLength 3
AreaCityCode	Optional	Regional dialing code.	Recommended	minOcc 0 maxOcc 1 minLength 1 maxLength 5
<b>Comment:</b> This is the 3 digit area code in the United States and Canada.				
PhoneNumber	Required	Telephone number.	Required	minOcc 1 maxOcc 1 minLength 1 maxLength 11
PhoneNumberExtension	Optional	The extended telephone addressing information used in addition to phone number such as a PBX extension, a pager PIN, or FAX sub-address.	Optional	minOcc 0 maxOcc 1 minLength 1 maxLength 5
EffectiveDate	Optional	The date the phone number of the override school becomes effective.	Optional	minOcc 0 maxOcc 1 xs:date formatted as ccyy-mm-dd
ExpirationDate	Optional	The date the phone number of the override school will no longer be valid	Optional	minOcc 0 maxOcc 1 xs:date formatted as ccyy-mm-dd

NoteMessage	Optional Repeatable	Additional information about the phone number of the override school	Not recommended	minOcc 0 maxOcc ∞ minLength 1 maxLength 80
-------------	------------------------	--	-----------------	---

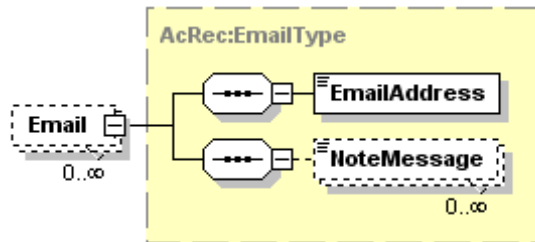
**Comment:** *This is the fax phone of the Course Override School. It would be very unusual for the school sending this transcript to have this information to include in the transcript.*

Code illustration:

```
<FaxPhone>
  <CountryPrefixCode/>
  <AreaCityCode>512</AreaCityCode>
  <PhoneNumber>4757638</PhoneNumber>
  <PhoneNumberExtension/>
  <EffectiveDate/>
  <ExpirationDate/>
  <NoteMessage/>
</FaxPhone>
```

**Student.AcademicRecord.AcademicSession.Course.  
CourseOverrideSchool.Contacts.Email**

**Note:** Although the complex data element *Email* is an optional data element, if you choose to send the *Email* of the *Override School*, then you must send the *EmailAddress*.



Tag Name	Schema Use	Description	Recommended Use	Format
EmailAddress	Required	The numbers, letters, and symbols used to identify an electronic mail (Email) user within a network.	Required	minOcc 1 maxOcc 1 minLength 1 maxLength 128
NoteMessage	Optional Repeatable	Additional information about the email address	Not recommended	minOcc 0 maxOcc ∞ minLength 1 maxLength 80

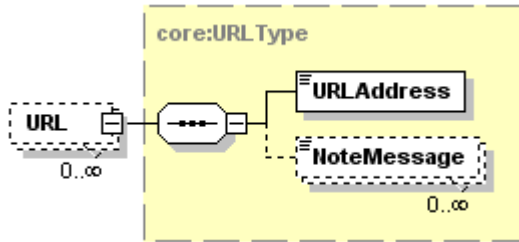
**Comment:** This is the Email of the Course Override School.

Code illustration:

```
<Email>
  <EmailAddress>registrar@newtrier.k12.il.us</EmailAddress>
  <NoteMessage/>
</Email>
```

**Student.AcademicRecord.AcademicSession.Course.  
CourseOverrideSchool.Contacts.URL**

**Note:** Although the complex data element **URL** is an optional data element, if you choose to send the URL of the Override School, then you must send the **URLAddress**.



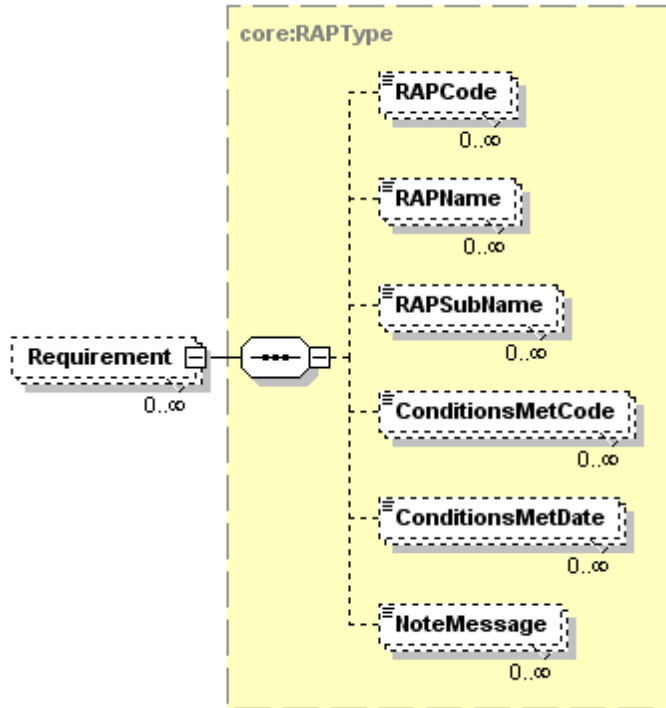
Tag Name	Schema Use	Description	Recommended Use	Format
URLAddress	Required	The Uniform Resource Locator (URL) address associated with a product, deliverable or contact.	Required	minOcc 1 maxOcc 1 minLength 0 maxLength 512
NoteMessage	Optional Repeatable	Additional information about the URL	Not Recommended	minOcc 0 maxOcc ∞ minLength 1 maxLength 80

**Comment:** This is the URL of the Course Override School.

Code illustration:

```
<URL>
  <URLAddress>http://nth.s.newtrier.k12.il.us</URLAddress>
  <NoteMessage/>
</URL>
```

Student.AcademicRecord.AcademicSession.Course.Requirement



Tag Name	Schema Use	Description	Recommended Use	Format
RAPCode	Optional Repeatabe	Requirement demonstrated or earned in addition to or as part of an academic award.	Recommended	minOcc 0 maxOcc ∞ minLength 1 maxLength 3
<b>Comment:</b> If this data element is to be used effectively, a code set should be created by a state or region. An example is given below in the Code Illustration. If not, then User Defined Extensions would be an alternate method of including this information.				
RAPName	Optional Repeatabe	Literal name of requirement	Recommended	minOcc 0 maxOcc ∞ minLength 1 maxLength 60
RAPSubName	Optional Repeatabe	Literal name of subsection of requirement	Optional	minOcc 0 maxOcc ∞ minLength 1 maxLength 60
ConditionsMetCode	Optional Repeatabe	Indicates whether and how conditions for the requirement have been attained.	Recommended	minOcc 0 maxOcc ∞  <b>Enumerations:</b> Yes No Conditional MutuallyDefined
ConditionsMetDate	Optional Repeatabe	Date requirement was met.	Optional	minOcc 0 maxOcc ∞  xs:date
<b>Comment:</b> The format of date is ccyy-mm-dd.				

Tag Name	Schema Use	Description	Recommended Use	Format
NoteMessage	Optional Repeatable	Additional information about the requirement	Not Recommended	minOcc 0 maxOcc ∞ minLength 1 maxLength 80

**Comment:** For example, the Requirement part of the course could be used to indicate that completion of this course satisfies a computer literacy requirement for graduation or a Community Service requirement. It could also be use to indicate that this course meets a requirement for admission to the state university system.

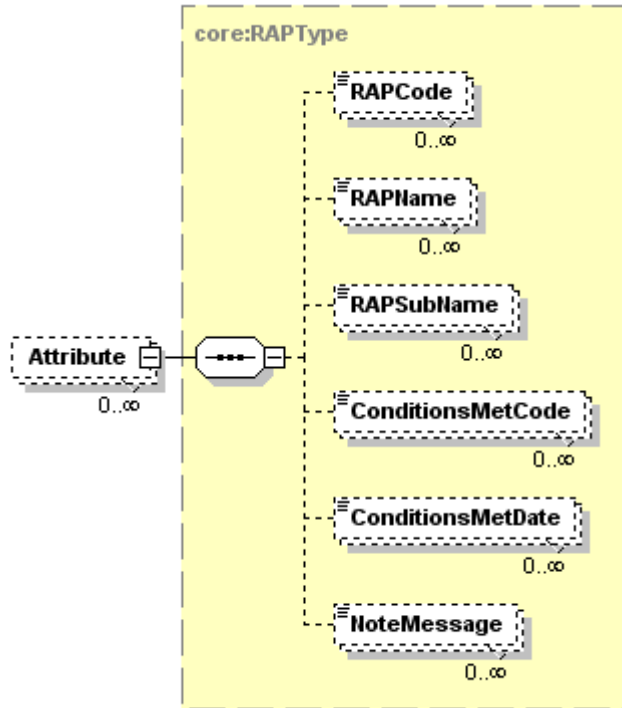
Code illustration:

```

<Requirement>
  <RAPCode>9TX</RAPCode>
  <RAPName>TXDegReq</RAPName>
  <RAPSubName>UT Austin Writing Component</RAPSubName>
  <ConditionsMetCode>Yes</ConditionsMetCode>
  <ConditionsMetDate>2002-08-13</ConditionsMetDate>
  <NoteMessage/>
</Requirement>

```

### Student.AcademicRecord.AcademicSession.Course.Attribute



Tag Name	Schema Use	Description	Recommended Use	Format
RAPCode	Optional Repeatable	Attribute demonstrated or earned in addition to academic award.	Recommended	minOcc 0 maxOcc ∞ minLength 1 maxLength 3
<b>Comment:</b> If this data element is to be used effectively, a code set should be created by a state or region. An example is given below in the Code Illustration. If not, then User Defined Extensions would be an alternate method of including this information.				
RAPName	Optional Repeatable	Literal name of attribute	Recommended	minOcc 0 maxOcc ∞ minLength 1 maxLength 60
RAPSubName	Optional Repeatable	Literal name of subsection of attribute	Optional	minOcc 0 maxOcc ∞ minLength 1 maxLength 60
ConditionsMetCode	Optional Repeatable	Indicates whether and how conditions for certification have been attained.	Recommended	minOcc 0 maxOcc ∞  <b>Enumeration:</b> Yes No Conditional MutuallyDefined
ConditionsMetDate	Optional Repeatable	Date of meeting the attribute	Optional	minOcc 0 maxOcc ∞ xs: date
<b>Comment:</b> The format for date is ccy-mm-dd.				



Tag Name	Schema Use	Description	Recommended Use	Format
NoteMessage	Optional Repeatable	Additional information about the attribute	Not Recommended	minOcc 0 maxOcc ∞ minLength 1 maxLength 80

**Comment:** For example, the Attribute part of the course could be used to indicate that the course was taught by a university professor, or it was taught in a hands-on computer lab, etc. It would normally only have significant meaning when used by all participating schools within a state or region.

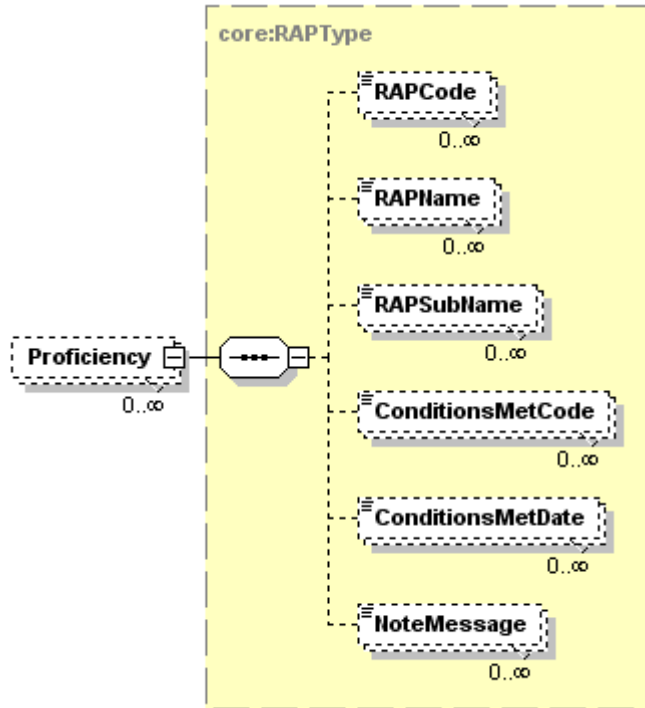
Code illustration:

```

<Attribute>
  <RAPCode>9TX</RAPCode>
  <RAPName>TXCORECURR</RAPName>
  <RAPSubName>020Mathematics (I)</RAPSubName>
  <ConditionsMetCode>Yes</ConditionsMetCode>
  <ConditionsMetDate>1997-03-01</ConditionsMetDate>
  <NoteMessage/>
</Attribute>

```

### Student.AcademicRecord.AcademicSession.Course.Proficiency



Tag Name	Schema Use	Description	Recommended Use	Format
RAPCode	Optional Repeatable	Proficiency demonstrated or earned in addition to academic award.	Recommended	minOcc 0 maxOcc ∞ minLength 1 maxLength 3
<b>Comment:</b> If this data element is to be used effectively, a code set should be created by a state or region. An example is given below in the Code Illustration. If not, then User Defined Extensions would be an alternate method of including this information.				
RAPName	Optional Repeatable	Literal name of proficiency	Recommended	minOcc 0 maxOcc ∞ minLength 1 maxLength 60
RAPSubName	Optional Repeatable	Literal name of subsection of proficiency	Optional	minOcc 0 maxOcc ∞ minLength 1 maxLength 60
ConditionsMetCode	Optional Repeatable	Indicates whether and how conditions for certification have been attained.	Recommended	minOcc 0 maxOcc ∞ <b>Enumerations:</b> Yes No Conditional MutuallyDefined
ConditionsMetDate	Optional Repeatable	Date of proficiency	Optional	minOcc 0 maxOcc ∞  xs:date
<b>Comment:</b> The format for date is ccy-mm-dd.				

Tag Name	Schema Use	Description	Recommended Use	Format
NoteMessage	Optional Repeatable	Additional information about the proficiency	Not Recommended	minOcc 0 maxOcc ∞ minLength 1 maxLength 80

**Comment:** For example, the Proficiency part of the course could be used to indicate successful completion of this course demonstrates a school graduation requirement for computer competency or English proficiency.

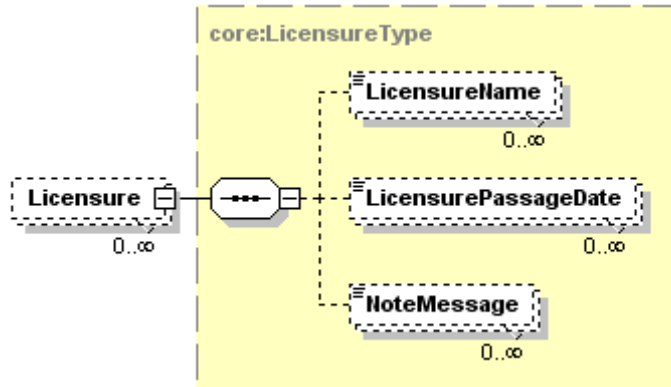
Code illustration:

```

<Proficiency>
  <RAPCode>9TX</RAPCode>
  <RAPName>Computer Literacy Proficiency</RAPName>
  <RAPSubName>CSPROF - ComputerSkillsProficiency</RAPSubName>
  <ConditionsMetCode>Yes</ConditionsMetCode>
  <ConditionsMetDate>2004-10-23</ConditionsMetDate>
  <NoteMessage>Students learn MS Word, PPT and Web Search in this course.</NoteMessage>
</Proficiency>

```

### Student.AcademicRecord.AcademicSession.Course.Licensure

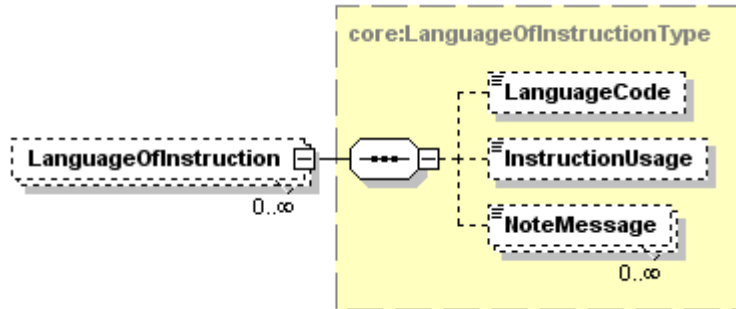


Tag Name	Schema Use	Description	Recommended Use	Format
LicensureName	Optional Repeatable	Free-form name of license or certification.	Recommended	minOcc 0 maxOcc ∞ minLength 1 maxLength 60
LicensurePassageDate	Optional Repeatable	Date of licensure passage	Optional	minOcc 0 maxOcc ∞ xs:date
<b>Comment:</b> The format for date is ccyy-mm-dd.				
NoteMessage	Optional Repeatable	Additional information about the licensure	Not Recommended	minOcc 0 maxOcc ∞ minLength 1 maxLength 80

Code illustration:

```
<Licensure>
  <LicensureName>Occupational Therapy Assistant</LicensureName>
  <LicensurePassageDate>2004-05-20</LicensurePassageDate>
  <NoteMessage/>
</Licensure>
```

**Student.AcademicRecord.AcademicSession.Course.  
LanguageOfInstruction**



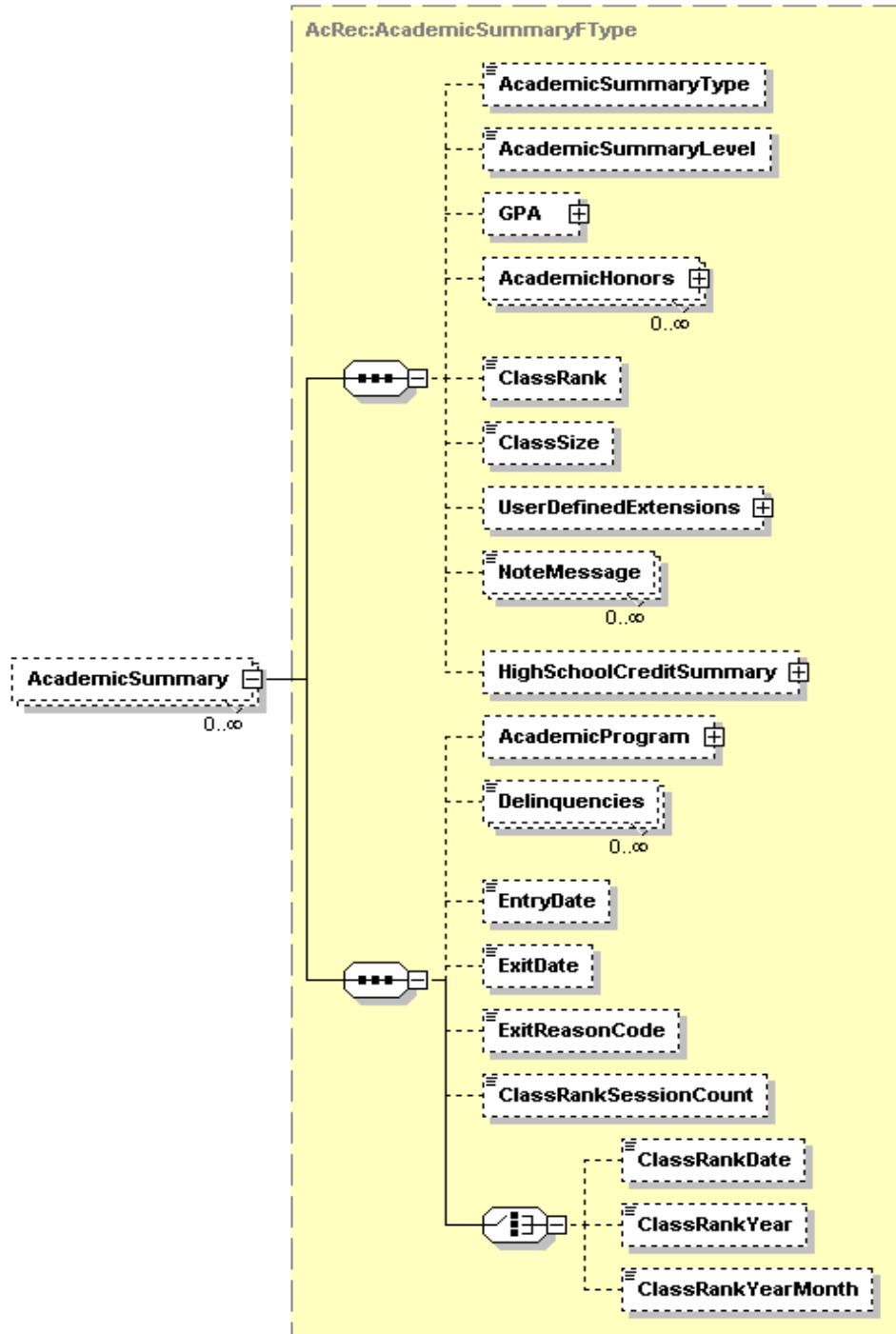
Tag Name	Schema Use	Description	Recommended Use	Format
LanguageCode	Optional	Code indicating the language being used, using ISO 639-2 code (Alpha-3) set. These codes are available at <a href="http://www.loc.gov/standards/iso639-2/">http://www.loc.gov/standards/iso639-2/</a> and in Appendix C1 or C2	Recommended	minOcc 0 maxOcc 1 minLength 3 maxLength 3 See Appendix C1 or C2
InstructionUsage	Optional	The use of the language in the context of instruction. <i>Instruction</i> - Language of Instruction <i>Examination</i> - Language of Examination <i>WrittenExam</i> - Language in which Examination is written	Recommended	minOcc 0 maxOcc 1  <b>Enumeration:</b> Instruction Examination WrittenExam
NoteMessage	Optional Repeatable	Additional information about the language of instruction	Not Recommended	minOcc 0 maxOcc ∞ minLength 1 maxLength 80

**Comment:** This is an optional data element. If it is not included, it is assumed the language of instruction was English if the high school sending the record is in the United States.

Code illustration:

```
<LanguageOfInstruction>
  <LanguageCode>FRE</LanguageCode>
  <InstructionUsage>Instruction</InstructionUsage>
  <NoteMessage/>
</LanguageOfInstruction>
```

### Student.AcademicRecord.AcademicSession.AcademicSummary



**Student.AcademicRecord.AcademicSession.AcademicSummary  
(Continued)**

Tag Name	Schema Use	Description	Recommended Use	Format
AcademicSummaryType	Optional	<p>Summary Type is an indication of what is being summarized over what period of time</p> <p><i>All</i> - Summary of all courses regardless of institution</p> <p><i>SenderOnly</i> - Summary of all courses at sending institution (or recorded as if they were taken at the sending institution)</p> <p><i>TransferOnly</i> - Summary of transfer work (courses taken at other than the sending institution)</p> <p><i>AllNotRepeated</i> - Summary of all courses except for repeated or forgiven courses/credits</p> <p><i>SenderNotRepeated</i> - Summary of all courses at sending institution except for repeated or forgiven courses/credits</p> <p><i>TransferNotRepeated</i> - Summary of transfer work except for repeated or forgiven courses/credits</p> <p><i>AcademicRenewal</i> - Subset of forgiven courses</p> <p><i>CarryoverCredit</i> - Summary from offline records and used as the initial point for cumulatives and averages</p> <p><i>DegreeApplicable</i> - Summary of courses that apply to degree</p> <p><i>NonDegreeApplicable</i> - Summary of courses that do not apply toward degree</p> <p><i>ConvertedFrom</i> - Summary of credits before an institutional term-basis conversion, such as from quarters to semesters</p> <p><i>ConvertedTo</i> - Summary of credits after an institutional term-basis conversion, such as from quarters to semesters</p> <p><i>Weighted</i> – Summary that gives additional (higher) value to specific courses taken by a student, such as honors courses, International Baccalaureate, Advanced Placement, high school/college dual enrollment.</p> <p><i>NonWeighted</i> – Summary that does not give additional value to courses, regardless of special characteristics of the courses. For example, if the grading scale is from 0 to 4.00, then it is not possible to have a summary higher than 4.00.</p> <p><i>UserDefined</i> - Use NoteMessage for explanation</p> <p><i>Cumulative</i> – Includes all courses taken by the student up to and including the current session</p>	Recommended	<p>minOcc 0 maxOcc 1</p> <p><b>Enumerations:</b> All SenderOnly TransferOnly AllNotRepeated SenderNotRepeated TransferNotRepeated AcademicRenewal CarryoverCredit DegreeApplicable NonDegreeApplicable ConvertedFrom ConvertedTo Weighted NonWeighted UserDefined Cumulative</p>

Tag Name	Schema Use	Description	Recommended Use	Format
AcademicSummaryLevel	Optional	The level of credit associated with the credit hours earned for the course.	Not Recommended	minOcc 0 maxOcc 1  <b>Enumerations:</b> SeventhGrade EighthGrade NinthGrade TenthGrade EleventhGrade TwelfthGrade DualHighSchoolCollege Secondary TechnicalPreparatory Vocational
GPA	Optional	GPA for this Academic Summary	Recommended	minOcc 0 maxOcc 1
<b>Comment:</b> This complex data element will be expanded on page 222 which follows in this Guide.				
AcademicHonors	Optional Repeatable	Academic Honors for this Academic Summary	Optional	minOcc 0 maxOcc ∞
<b>Comment:</b> This complex data element will be expanded on page 225 which follows in this Guide.				
ClassRank	Optional	The student's class rank relative to other students in their academic cohort (e.g. class).	Recommended	minOcc 0 maxOcc 1 minInclusive 1 maxInclusive 9999 totalDigits 4
<b>Comment:</b> The student ranking the highest in the class would have a rank of "1".				
ClassSize	Optional	The numeric size of the academic cohort (e.g. class).	Recommended	minOcc 0 maxOcc 1 minInclusive 1 maxInclusive 9999 totalDigits 4
<b>Comment:</b> If there were 753 students in the student's class and they were ranked by the high school, then this value would be "753".				
UserDefinedExtensions	Optional	A mini schema that can be used by specified trading partners, typically in a state or province or who use the same vendor	Optional	minOcc 0 maxOcc 1
NoteMessage	Optional Repeatable	Additional information about the Academic Summary	Optional	minOcc 0 maxOcc ∞ minLength 1 maxLength 80
<b>Comment:</b> If the class rank and class size in this complex data element are included in the transcript, then this note message could be used to specify the cohort and/or date of the ranking.				
HighSchoolCreditSummary	Optional	This would be a summary of the high school courses taken in this session and summarized by the curriculum area of those courses.	Optional	minOcc 0 maxOcc 1
<b>Comment:</b> This complex data element will be expanded on page 226 which follows in this Guide.				
AcademicProgram	Optional	Academic Program (e.g. major) for this Academic Summary	Optional	minOcc 0 maxOcc 1
<b>Comment:</b> This is the appropriate place to list the student's current major or degree objective. This complex data element will be expanded on page 229 which follows in this Guide.				



Tag Name	Schema Use	Description	Recommended Use	Format
Delinquencies	Optional Repeatable	<p>The academic standing of the student upon transfer to the institution.</p> <p><i>ExclusionAcademic</i> – Typically, this category is used when the student had previously been suspended because of low GPA and action is taken because of continued low grade average. Typically, the student must apply for reinstatement which is not automatic.</p> <p><i>ExclusionDiscipline</i> -- Typically, this category is used when the student had previously been suspended because of disciplinary reasons and action is taken because of continued disciplinary problems. Typically, the student must apply for reinstatement which is not automatic.</p> <p><i>GoodStanding</i> - Student was in good standing</p> <p><i>ProbationGPA</i> - Student was on academic probation (because of low GPA)</p> <p><i>ProbationHours</i> - Student was on academic probation (deficiency in credit hours)</p> <p><i>SuspensionGPA</i> - Student was on academic suspension (because of low GPA)</p> <p><i>SuspensionHours</i> - Student was on academic suspension (deficiency in credit hours)</p> <p><i>ProbationDiscipline</i> - Student was on disciplinary probation</p> <p><i>SuspensionDiscipline</i> - Student was on disciplinary suspension</p> <p><i>Unknown</i></p> <p><i>Other</i></p>	Not Recommended	<p>minOcc 0 maxOcc ∞</p> <p><b>Enumerations:</b> ExclusionAcademic ExclusionDiscipline GoodStanding ProbationGPA ProbationHours SuspensionGPA SuspensionHours ProbationDiscipline SuspensionDiscipline Unknown Other</p>
<p><b>Comment:</b> It is recommended that probation not be included on the transcript since there is no universally accepted definition of probation, and that other Delinquencies be included at the Session level. AACRAO recommends that probation not be included on the College Transcript, but AACRAO does not make recommendations about the content of the high school transcript.</p>				
EntryDate	Optional	The date on which the student officially was admitted to the school or when the student first attended the school, or when the student began this session.	Optional	<p>minOcc 0 maxOcc 1</p> <p>xs:date formatted as ccyy-mm-dd</p>
<p><b>Comment:</b> The date format is ccyy-mm-dd.</p>				
ExitDate	Optional	The date on which the student officially withdrew or graduated	Not Recommended	<p>minOcc 0 maxOcc 1</p> <p>xs:date formatted as ccyy-mm-dd</p>
<p><b>Comment:</b> This date would typically be the date of graduation for students who did graduate this session. If the student did not graduate this session, it would be the last date of known attendance. The date format is ccyy-mm-dd.</p>				
ExitReasonCode	Optional	The reason the student stopped attending. It is a code set approved by the US Department of Education's National Center for Education Statistics and in the NCES Handbook.	Optional	<p>minOcc 0 maxOcc 1</p> <p><b>Enumerations:</b> 1907 1908 1909 1910 1911</p>

Tag Name	Schema Use	Description	Recommended Use	Format
		<p>The enumerated values are</p> <p><b>1907</b> – Student is in a different public school in the same local education agency</p> <p><b>1908</b> – Transferred to a public school in a different local education agency in the same state</p> <p><b>1909</b> – Transferred to a public school in a different state</p> <p><b>1910</b> – Transferred to a private, non-religiously-affiliated school in the same local education agency</p> <p><b>1911</b> – Transferred to a private, non-religiously-affiliated school in a different local education agency in the same state</p> <p><b>1912</b> – Transferred to a private, non-religiously-affiliated school in a different state</p> <p><b>1913</b> – Transferred to a private, religiously-affiliated school in the same local education agency</p> <p><b>1914</b> – Transferred to a private, religiously-affiliated school in a different local education agency in the same state</p> <p><b>1915</b> – Transferred to a private, religiously-affiliated school in a different state</p> <p><b>1916</b> – Transferred to a school outside of the country</p> <p><b>1917</b> – Transferred to an institution</p> <p><b>1918</b> – Transferred to home schooling</p> <p><b>1919</b> – Transferred to a charter school</p> <p><b>1921</b> – Graduated with regular, advanced, International Baccalaureate, or other type of diploma</p> <p><b>1922</b> – Completed school with other credentials</p> <p><b>1923</b> – Died or is permanently incapacitated</p> <p><b>1924</b> – Withdrawn due to illness</p> <p><b>1925</b> – Expelled or involuntarily withdrawn</p> <p><b>1926</b> – Reached maximum age for services</p> <p><b>1927</b> – Discontinued schooling</p> <p><b>1928</b> – Completed grade 12, but did not meet all graduation requirements</p> <p><b>1930</b> – Enrolled in a postsecondary early admission program, eligible to return</p> <p><b>1931</b> – Not enrolled, unknown status</p>	<p>1912  1913  1914  1915  1916  1917  1918  1919  1920  1921  1922  1923  1924  1925  1926  1927  1928  1930  1931  3499  3500  3501  3502  3503  3504  3505  3508  3509  9999</p>	

Tag Name	Schema Use	Description	Recommended Use	Format
		<p><b>3499</b> – Student is in the same local education agency and receiving education services, but is not assigned to a particular school</p> <p><b>3500</b> – Enrolled in an adult education or training program</p> <p><b>3501</b> – Completed a state-recognized vocational education program</p> <p><b>3502</b> – Not enrolled, eligible to return</p> <p><b>3503</b> – Enrolled in a foreign exchange program, eligible to return</p> <p><b>3504</b> – Withdrawn from school, under the age for compulsory attendance; eligible to return</p> <p><b>3505</b> -- Exited</p> <p><b>3508</b> – Student is in a charter school managed by the same local education agency</p> <p><b>3509</b> – Completed with a state-recognized equivalency certificater</p> <p><b>9999</b> -- Other</p>		
<p><b>Comment:</b> This date would typically be the date of graduation for students who did graduate. If the student did not graduate, it would be the last date of known attendance. The date format is ccyy-mm-dd.</p>				
ClassRankSessionCount	Optional	The number of sessions of coursework included in the ranking of the student in the class	Optional	minOcc 0 maxOcc 1 minInclusive 1 maxInclusive 9999
<p><b>Comment:</b> The three optional data elements which follow are part of an optional choice. No more than one of the three data elements which follow may be included in the instance document.</p>				
ClassRankDate	Optional Choice	The date on which the student was included in the class ranking and the class was ranked	Optional Choice	minOcc 0 maxOcc 1 xs:date formatted as ccyy-mm-dd
ClassRankYear	Optional Choice	The year on which the student was included in the class ranking and the class was ranked	Optional Choice	minOcc 0 maxOcc 1 xs:gYear formatted as ccyy
ClassRankYearMonth	Optional Choice	The year and month in which the student was included in the class ranking and the class was ranked	Optional Choice	minOcc 0 maxOcc 1 xs:gYearMonth formatted as ccyy-mm
<p><b>Comment:</b> This portion of the XML High School Transcript is the place for the summary of the student's high school academic record for this session.</p>				

## Student.AcademicRecord.AcademicSession.AcademicSummary (Continued)

Code illustration:

```
<AcademicSummary>
  <AcademicSummaryType>All</AcademicSummaryType>
  <AcademicSummaryLevel>TwelfthGrade</AcademicSummaryLevel>
  <GPA>

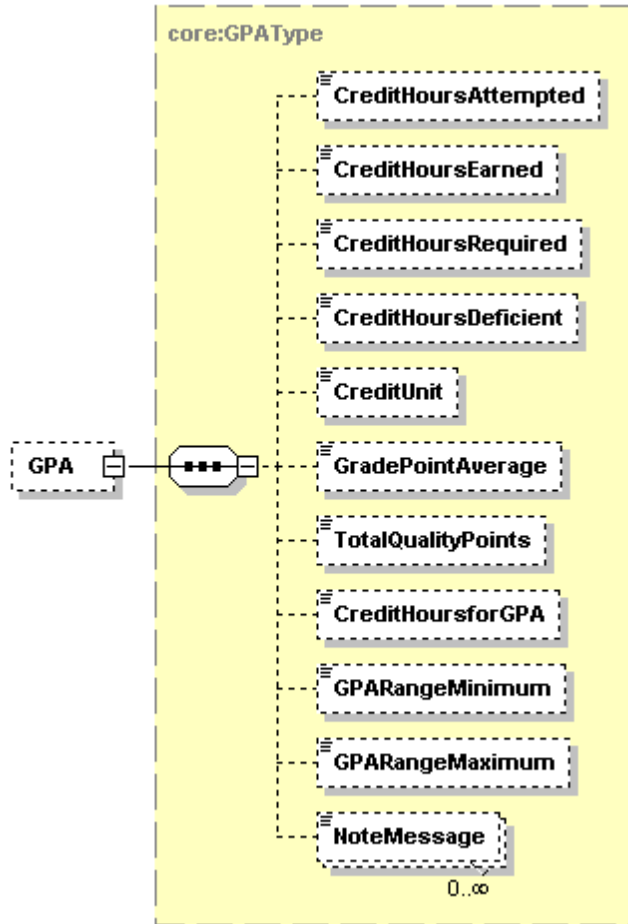
  </GPA>
  <AcademicHonors>

  </AcademicHonors>
  <ClassRank>1</ClassRank>
  <ClassSize>753</ClassSize>
  <UserDefinedExtensions/>
  <NoteMessage>Class ranking was of all seniors at the end of the twelfth semester.</NoteMessage>
  <HighSchoolCreditSummary>

  </HighSchoolCreditSummary>
  <AcademicProgram>

  </AcademicProgram>
  <Delinquencies/>
  <EntryDate/>
  <ExitDate/>
  <ExitReasonCode/>
  <ClassRankSessionCount>8</ClassRankSessionCount>
  <ClassRankYear>2009</ClassRankYear>
</AcademicSummary>
```

Student.AcademicRecord.AcademicSession.AcademicSummary.GPA



Tag Name	Schema Use	Description	Recommended Use	Format
CreditHoursAttempted	Optional	The total value of credit hours attempted whether or not included in the hours for GPA or hours earned.	Recommended	minOcc 0 maxOcc 1 xs:decimal
<p><b>Comment:</b> This would include the credit value of a course from which the student withdrew, if it appears on the transcript. So if a student had enrolled in 20 Carnegie Units which are all included in this summary and are on the transcript, and had passed 10 units and withdrawn from 10 units, then the value of this field would be "20". If the student had enrolled for 10.5 units that are included on the transcript, then the value of this field would be "10.5".</p>				
CreditHoursEarned	Optional	The total value of credit hours successfully completed or earned.	Recommended	minOcc 0 maxOcc 1 xs:decimal
<p><b>Comment:</b> If the student had earned 15 Carnegie Units and they all counted in this academic summary, then the value of this data element would be "15". If only 4.5 units were earned, then the value would be "4.5".</p>				
CreditHoursRequired	Optional	The total value of credit hours that are required for a student to earn a diploma	Recommended	minOcc 0 maxOcc 1 xs:decimal

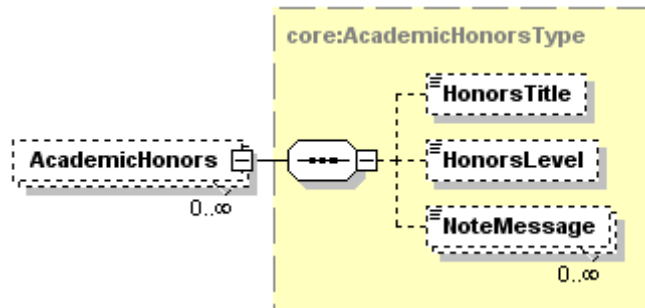
Tag Name	Schema Use	Description	Recommended Use	Format
CreditHoursDeficient	Optional	The total value of credit hours that are still needed by the student to complete an award or diploma.	Recommended	minOcc 0 maxOcc 1 xs:decimal
<b>Comment:</b> If the student had earned 5 Carnegie Units and they all counted toward the diploma, then the value of this data element would be "5". If only 4.5 units were earned, then the value would be "4.5".				
CreditUnit	Optional	The type of credit (unit, semester, quarter, or Carnegie Unit) associated with the credit hours earned for the course.	Recommended	minOcc 0 maxOcc 1  <b>Enumerations:</b> NoCredit Quarter Semester Units ClockHours CarnegieUnits ContinuingEducationUnits Unreported Other
<b>Comment:</b> Note that the credit unit is not necessarily directly related to the type of session in which a course is offered. A full year course, or a semester course, or a quarter course, may all offer Carnegie Units or Units as the credit unit.				
GradePointAverage	Optional	The value of the total quality points divided by the Credit Hours for Grade Point Average.	Recommended	minOcc 0 maxOcc 1 xs:decimal
<b>Comment:</b> For example, if the student had enrolled for 10 Carnegie Units, passed 8 units with grades of B worth 3 grade points for each Carnegie Unit, and 2 Carnegie Units with grades of F worth 0 grade points, then the calculation would be 24 grade points divided by 10 or a GPA of "2.4" or "2.40" or "2.400" depending on the policy of the sending school.				
TotalQualityPoints	Optional	The total value of quality points used for the calculation of the Grade Point Average.	Recommended	minOcc 0 maxOcc 1 xs:decimal
<b>Comment:</b> If a student earned all grades of B (worth 3 grade points for each Carnegie Unit) in 8.5 Carnegie Units, then the value of this data element would be "25.5".				
CreditHoursforGPA	Optional	The total value of credit hours used to calculate the Grade Point Average.	Recommended	minOcc 0 maxOcc 1 xs:decimal
<b>Comment:</b> If a student earned grades of A (worth 4 grades points per unit) in 3 Carnegie Units; grades of F (worth 0 points per unit) in 4 units; and withdrew from 5 units, then the total credit hours for GPA would be "7".				
GPARangeMinimum	Optional	The minimum possible Grade Point Average	Recommended	minOcc 0 maxOcc 1 xs:decimal
<b>Comment:</b> If the lowest possible grade is an F and a grade of F is valued at 0 grade points, then this value would be "0", or "0.0" or "0.00", etc.				
GPARangeMaximum	Optional	The maximum possible Grade Point Average	Recommended	minOcc 0 maxOcc 1 xs:decimal
<b>Comment:</b> If the highest possible grade is an A and a grade of A is valued at 4 grade points, then this value would be "4" or "4.0" or "4.00", etc.				
NoteMessage	Optional Repeatable	Additional information about the GPA	Not Recommended	minOcc 0 maxOcc ∞ minLength 1 maxLength 80
<b>Comment:</b> The GPA reported in this section of the Schema is an overall GPA for all courses that are included on the student transcript.				

## Student.AcademicRecord.AcademicSession.AcademicSummary.GPA (Continued)

Code illustration:

```
<GPA>
  <CreditHoursAttempted>22</CreditHoursAttempted>
  <CreditHoursEarned>20</CreditHoursEarned>
  <CreditHoursRequired>23</CreditHoursRequired>
  <CreditHoursDeficient>3</CreditHoursDeficient>
  <CreditUnit>CarnegieUnits</CreditUnit>
  <GradePointAverage>3.41</GradePointAverage>
  <TotalQualityPoints>75</TotalQualityPoints>
  <CreditHoursforGPA>22</CreditHoursforGPA>
  <GPARangeMinimum>0</GPARangeMinimum>
  <GPARangeMaximum>4</GPARangeMaximum>
  <NoteMessage/>
</GPA>
```

## Student.AcademicRecord.AcademicSession.AcademicSummary. AcademicHonors



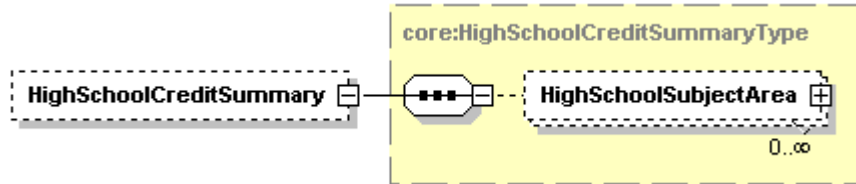
Tag Name	Schema Use	Description	Recommended Use	Format
HonorsTitle	Optional	The descriptive title for the honors received	Recommended	minOcc 0 maxOcc 1 minLength 1 maxLength 30
<b>Comment:</b> There is a variety of names for these honors in the United States. Some common ones are "Valdictorian", "Salutatorian", "With Honors", "Magna Cum Laude", etc.				
HonorsLevel	Optional	A code value representing 1st highest honor, 2nd highest and 3rd highest	Recommended	minOcc 0 maxOcc 1  <b>Enumeration:</b> FirstHighest SecondHighest ThirdHighest
<b>Comment:</b> Honors Level is critical to understanding the context of Honors Title.				
NoteMessage	Optional Repeatable	Additional information about the Academic Honors	Not Recommended	minOcc 0 maxOcc ∞ minLength 1 maxLength 80
<b>Comment:</b> This would be one appropriate place in the Schema to include honors not specifically tied to the diploma awarded. Examples might be "AP Scholars", "Sigma Alpha Tau", etc.				

### Code illustration:

```
<AcademicHonors>
  <HonorsTitle>Sigma Alpha Tau</HonorsTitle>
  <HonorsLevel>FirstHighest</HonorsLevel>
  <NoteMessage>For seniors earning a composite SAT score of 1,200 or higher</NoteMessage>
</AcademicHonors>
```



## Student.AcademicRecord.AcademicSession.AcademicSummary. HighSchoolCreditSummary



Tag Name	Schema Use	Description	Recommended Use	Format
HighSchoolSubjectArea	Optional Repeatabe	The part of the high school curriculum area that is to be described and summarized	Recommended	minOcc 0 maxOcc ∞

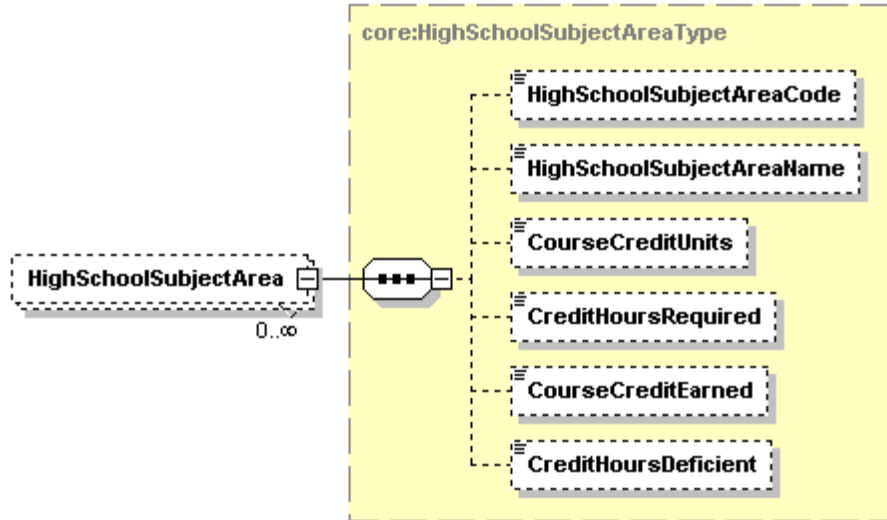
**Comment.** This complex data element will be expanded on page 227 which follows in this Guide.

Code illustration:

```
<HighSchoolCreditSummary>
  <HighSchoolSubjectArea>

  </HighSchoolSubjectArea>
</HighSchoolCreditSummary>
```

Student.AcademicRecord.AcademicSession.AcademicSummary.  
HighSchoolCreditSummary.HighSchoolSubjectArea



Tag Name	Schema Use	Description	Recommended Use	Format
HighSchoolSubjectAreaCode	Optional	This simple data element describes major areas of the high school curriculum	Recommended	minOcc 0 maxOcc 1  <b>Enumerations:</b> AcademicElective Arts English ForeignLanguage HistorySocialScience LabScience Math Other Science
HighSchoolAreaName	Optional	The name of the major area of the high school curriculum	Recommended	minOcc 0 maxOcc 1 minLength 1 maxLength 30
<b>Comment:</b> It would not be necessary to include this data element if the high school names its curriculum area the same as the enumerated value in the previous data element. If not, it might be helpful to include the name of the area as used at the sending high school.				
CourseCreditUnits	Optional	The type of credits used at the high school	Recommended	minOcc 0 maxOcc 1  <b>Enumerations:</b> NoCredit Quarter Semester Units ClockHours CarnegieUnits ContinuingEducationUnits Unreported Other
CreditHoursRequired	Optional	The number of credit units needed to satisfy the graduation requirements in this area	Recommended	minOcc 0 maxOcc 1  The format is decimal up to 3 decimal places

Tag Name	Schema Use	Description	Recommended Use	Format
CreditHoursEarned	Optional	The number of credit units that the student has earned up to this point in time in this curriculum area	Recommended	minOcc 0 maxOcc 1 The format is decimal up to 3 decimal places
CreditHoursDeficient	Optional	The number of credit units that the student still needs to complete in this curriculum area in order to receive the award or diploma	Recommended	minOcc 0 maxOcc 1 The format is decimal up to 3 decimal places

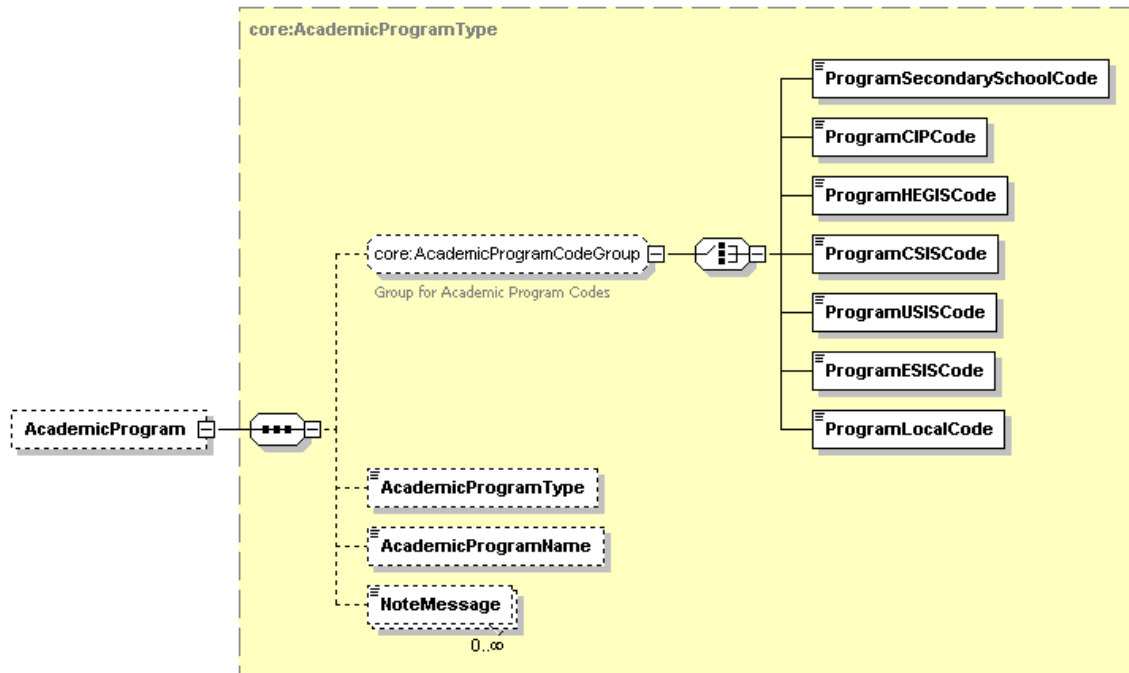
Code illustration:

```

<HighSchoolSubjectArea>
  <HighSchoolSubjectAreaCode>Math</HighSchoolSubjectAreaCode>
  <HighSchoolSubjectAreaName>Higher Mathematics</HighSchoolSubjectAreaName>
  <CourseCreditUnits>CarnegieUnits</CourseCreditUnits>
  <CreditHoursRequired>3</CreditHoursRequired>
  <CourseCreditEarned>1.5</CourseCreditEarned>
  <CreditHoursDeficient>1.5</CreditHoursDeficient>
</HighSchoolSubjectArea>

```

**Student.AcademicRecord.AcademicSession.AcademicSummary.  
AcademicProgram**



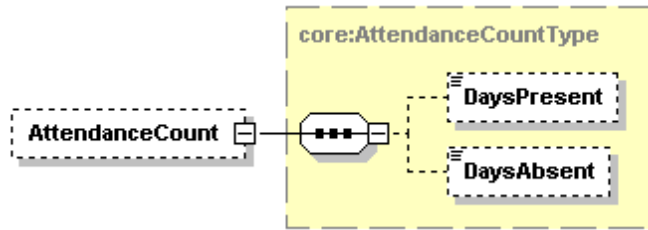
Tag Name	Schema Use	Description	Recommended Use	Format
ProgramSecondarySchoolCode	Optional exclusive choice	Code that describes a program of study taken by secondary school students	Recommended	minOcc 0 maxOcc 1 <b>Enumerations:</b> CareerPrep CollegePrep CollegePrepOrCollegeTechPrep CollegeTechPrep General Occupational Vocational
ProgramCIPCode	Optional exclusive choice	Code indicating a discipline or field of study assigned by the Classification of Instructional Programs	Not Recommended	minOcc 0 maxOcc 1 minLength 6 maxLength 20
ProgramHEGISCode	Optional exclusive choice	Code indicating a discipline or field of study assigned by Higher Education General Information Survey	Not Recommended	minOcc 0 maxOcc 1 minLength 6 maxLength 20
ProgramCSISCode	Optional exclusive choice	Code indicating a discipline or field of study assigned by Statistics Canada Canadian College Student Information System	Not Recommended	minOcc 0 maxOcc 1 minLength 5 maxLength 5
ProgramUSISCode	Optional exclusive choice	Code indicating a discipline or field of study assigned by the Statistics Canada University Student Information System.	Not Recommended	minOcc 0 maxOcc 1 minLength 5 maxLength 5

Tag Name	Schema Use	Description	Recommended Use	Format
ProgramESISCode	Optional exclusive choice	Code indicating a discipline or field of study assigned by the Statistics Canada Enhanced Student Information System.	Not Recommended	minOcc 0 maxOcc 1 minLength 1 maxLength 20
ProgramLocalCode	Optional exclusive choice	This is a code typically created and used within a school or school district	Optional	minOcc 0 maxOcc 1 minLength 1 maxLength 20
<b>Comment:</b> While this local code would be appropriate for use within a school, school district or perhaps even a state, it would not be a good code set for general use.				
AcademicProgramType	Optional	Indicates whether the academic program is a major, minor, area of concentration or specialization.	Optional	minOcc 0 maxOcc 1  <b>Enumerations:</b> Concentration Focus Major Minor SecondMajor Specialization
AcademicProgramName	Optional	Literal name of program, major, or field of study.	Recommended	minOcc 0 maxOcc 1 minLength 1 maxLength 60
NoteMessage	Optional Repeatable	Additional information about the Academic Program	Not Recommended	minOcc 0 maxOcc ∞ minLength 1 maxLength 80

Code illustration:

```
<AcademicProgram>
  <ProgramSecondarySchoolCode>General</ProgramSecondarySchoolCode>
  <AcademicProgramType>Major</AcademicProgramType>
  <AcademicProgramName>General Transfer</AcademicProgramName>
  <NoteMessage />
</AcademicProgram>
```

### Student.AcademicRecord.AcademicSession.AttendanceCount



Tag Name	Schema Use	Description	Recommended Use	Format
DaysPresent	Optional	The number of days or partial days that the student attended classes this session	Optional	minOcc 0 maxOcc 1 This is a decimal number with up to three digits to the right of the decimal
DaysAbsent	Optional	The number of days or partial days that the student did not attend classes this session	Optional	minOcc 0 maxOcc 1 This is a decimal number with up to three digits to the right of the decimal

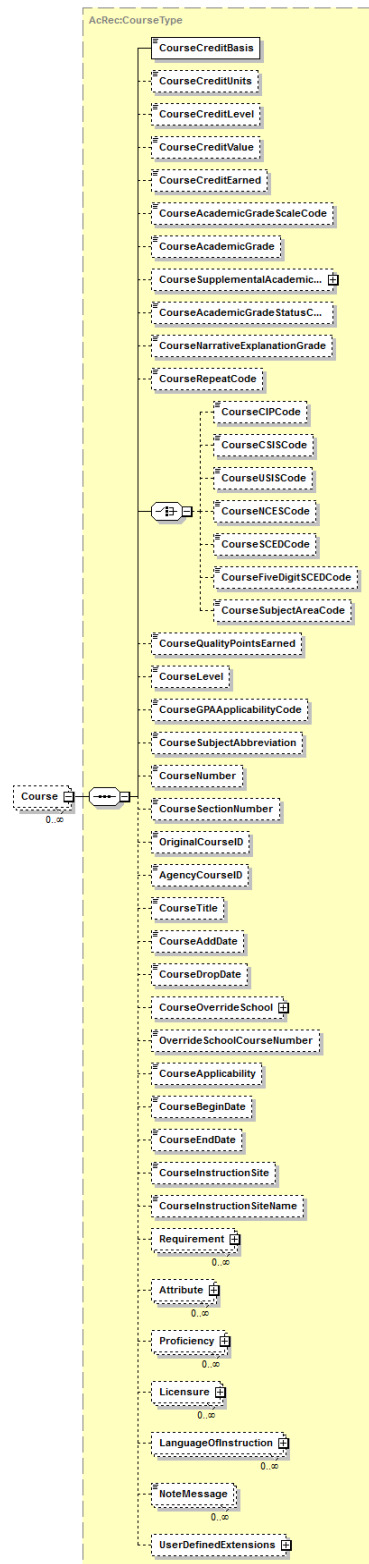
Code illustration:

```

<AttendanceCount>
  <DaysPresent>75.5</DaysPresent>
  <DaysAbsent>4.5</DaysAbsent>
</AttendanceCount>

```

## Student.AcademicRecord.Course



### Student.AcademicRecord.Course (Continued)

**Note:** This complex data element for Course as child to the entire Academic Record should only be used for courses not taken at the sending school. Likewise, if transfer courses are included in the instance document and the session is available, it is preferred to include them as child to Session.

Tag Name	Schema Use	Description	Recommended Use	Format
CourseCreditBasis	Required	<p>The type of enrollment associated with the credit hours for the course.</p> <p><b>AcademicRenewal:</b> Credits and grades in this course have been forgiven and are no longer used to compute cumulative credits and grade points earned for the student's cumulative totals and grade averages. The process of invoking this credit basis is typically done on a petition or request by the student and is typically done for <b>all</b> courses taken by the student prior to a certain date or session. Typical justification for approving the request is that the student has not attended the college (or possibly any college) for a period of several years after that specified date. Good practice is that all the courses and grades remain on the student academic record, but are not included in the computation of the student credits earned nor in the student's grade average and that those course designated as Academic Renewal cannot be used to satisfy any degree or other requirements.</p> <p><b>AdultBasic:</b> Credits that may be used to qualify a student for a secondary school certificate but are not usually counted toward the award of a standard high school diploma. They may also be used toward postsecondary certificates, but not counted as credits earned toward a postsecondary associate degree or baccalaureate degree. They are frequently used to indicate preparation for a high school diploma.</p> <p><b>AdvancedPlacement:</b> Credits awarded upon satisfactory completion of The College Board's Advanced Placement Program.</p> <p><b>AdvancedStanding:</b> This is a term not normally associated with a course, but rather when the student has demonstrated, typically through means other than a regular credit course, eligibility to enroll in postsecondary courses that require pre-requisite courses or conditions.</p>	Required	<p>minOcc 1 maxOcc 1</p> <p><b>Enumerations:</b> Regular AcademicRenewal AdvancedPlacement AdvancedStanding ContinuingEducation Exemption Equivalence InternationalBaccalaureate LifeExperience Military Remedial CreditByExam HighSchoolTransferCredit HighSchoolCreditOnly HighSchoolDualCredit JuniorHighSchoolCredit Major AdultBasic</p>



Tag Name	Schema Use	Description	Recommended Use	Format
		<p>However, some schools may apply this term to a specific pre-requisite course when not completed under normal conditions.</p> <p><b>Correspondence:</b> An option that may be offered for students that have difficulty appearing in a classroom setting. There is typically an instructor assigned, written assignments are required and the instructor evaluates those assignments and a grade is assigned.</p> <p><b>CreditByExam:</b> An option that may be approved for a student in selected courses by which the student is allowed to sign up to take an exam that covers the material for the entire course. If the student passes the exam, the student may receive credit and a grade for the course. College policies vary on how the grade is handled. In some cases, only passing grades are posted to the student record. In other cases, only passing grades of Satisfactory or Pass are posted.</p> <p><b>HighSchoolCreditOnly:</b> This would typically indicate participation in a high school dual enrollment program. This value would indicate that this course did not result in the award of any college credit, but may have been used to satisfy high school diploma requirements.</p> <p><b>HighSchoolDualCredit:</b> This would typically indicate participation in a high school dual enrollment program. This value would indicate that this course resulted in the award of both college credit as well as credit toward a high school diploma requirement.</p> <p><b>HighSchoolTransferCredit:</b> This value would be used for secondary school transcripts to indicate a course taken at another school and transferred back to the sending high school.</p> <p><b>InternationalBaccalaureate:</b> This is similar to AdvancedPlacement in that credit for the course is awarded as a result of passing an examination. In this case, the exam is part of the two year international education International Baccalaureate Diploma program. Based on the exam and the grade received on the exam, colleges and universities may award transfer credit in specific courses, or may just award a specific number of general education credits.</p>		

Tag Name	Schema Use	Description	Recommended Use	Format
		<p><b>JuniorHighSchoolCredit:</b> This value would be used for secondary school transcripts to indicate a course taken at a junior high or middle school and used to satisfy a high school diploma requirement.</p> <p><b>Regular:</b> Probably the most common of the available enumerated values. This would most likely be the value to use if none of the other values are appropriate. This would be a typical college credit course.</p>		
CourseCreditUnits	Optional	The type of credit (unit, semester, or quarter) associated with the credit hours earned for the course.	Recommended	minOcc 0 maxOcc 1  <b>Enumerations:</b> NoCredit Quarter Semester Units ClockHours CarnegieUnits ContinuingEducationUnits Unreported Other
<p><b>Comment:</b> In version 1.0.0 of the schema, there were several errors introduced in the enumerated values of CourseCreditUnits. They incorrectly were introduced into the schema with a trailing space. In this version, new values have been added without the trailing spaces. The values with the incorrect trailing spaces have been deprecated and will be deleted in a future major release of the schema.</p>				
CourseCreditLevel	Optional	The level of credit associated with the credit hours earned for the course.	Not Recommended	minOcc 0 maxOcc 1  <b>Enumerations:</b> SeventhGrade EighthGrade NinthGrade TenthGrade EleventhGrade TwelfthGrade DualHighSchoolCollege Secondary TechnicalPreparatory Vocational
<p><b>Comment:</b> These values are not appropriate for the high school transcript and should not be used.</p>				
CourseCreditValue	Optional	Number indicating the credit hours that may be earned in the course.	Recommended	minOcc 0 maxOcc 1  xs:decimal
<p><b>Comment:</b> For example, if the course is worth 1 Carnegie Unit, and if the student withdrew from the course, but the course still appears on the high school transcript, then the value of this field is "1". Since it is a decimal field, it could also have a value of "1.0" or "1.00".</p>				

Tag Name	Schema Use	Description	Recommended Use	Format
CourseCreditEarned	Optional	The number of credits a student earns by the successful completion of a course.	Recommended	minOcc 0 maxOcc 1 xs:decimal
<b>Comment:</b> For example, if the course is worth 1 Carnegie Unit, and if the student passed the courset, then the value of this field is "1". Since it is a decimal field, it could also have a value of "1.0" or "1.00".				
CourseAcademicGradeScaleCode	Optional	The grading scale used by an academic educational institution for an academic course.	Recommended	minOcc 0 maxOcc 1 See Appendix H
<b>Comment:</b> Grade scale is based on the American Medical Colleges Admissions Services (AMCAS) grade scale, values 01 through 99. See Appendix H for a complete list of code values.				
CourseAcademicGrade	Optional	The final grade awarded for participation in the course.	Recommended	minOcc 0 maxOcc 1 minLength 1 maxLength 10
CourseSupplementalAcademicGrade	Optional	Grades that are reported, which combine to make the final grade in a course.	Optional	minOcc 0 maxOcc 1
<b>Comment:</b> This complex data element will be expanded in page 243 which follows in this Guide.				
CourseAcademicGradeStatusCode	Optional	Special enrollment or completion status of this course	Recommended	minOcc 0 maxOcc 1  <b>Enumerations:</b> AuditedCourse Completed HonorsGrade Incomplete IncompleteNotResolvedFail InProgress NotYetReported OtherFailGrade OtherPassGrade PassFailFail PassFailPass PlanningToTake TransferNoGrade Withdrew WithdrewFailing WithdrewNoPenalty WithdrewPassing
<b>Comment:</b> For crosswalk purposes from and to the ANSI ASC X12 EDI transaction, the equivalents are 500 – InProgress; 501 – PassFailPass; 502 – PassFailFail; 503 – CreditByExam; 504 – TransferNoGrade; 505 – Incomplete; 506 – WithdrewNoPenalty; 507 – WithdrewPassing; 509 – WithdrewFailing; 510 – HonorsGrade; 511 – AuditedCourse; 512 – Exempted; 513 – NotYetReported; 514 – IncompleteNotResolvedFail; 530 – OtherPassGrade; 531 – OtherFailGrade.				
CourseNarrativeExplanationGrade	Optional	The narrative of the grade awarded to a student in an academic course in those cases where a course does not receive a letter or numeric grade included in the grading scale of the Course Academic Grade Qualifier.	Not Recommended	minOcc 0 maxOcc 1 minLength 1 maxLength 200
CourseRepeatCode	Optional	Indicates that an academic course has been repeated by a student and how that repeat is to be computed in the student's academic grade average.	Recommended	minOcc 0 maxOcc 1  <b>Enumerations:</b> RepeatCounted RepeatNotCounted ReplacementCounted ReplacedNotCounted RepeatOtherInstitution NotCountedOther

Tag Name	Schema Use	Description	Recommended Use	Format
<p><b>Comment:</b> If the sending high school has no policy on how to treat repeated courses, then this data element can be ignored by the sending high school. Likewise, if the receiving school has no policy or has a policy to ignore repeat calculations, then it can also be ignored. But if the sending school has such a policy, then this is the place to indicate that policy. For example, if the student previously took the same course, received a failing grade and has now completed this course with a passing grade, then the appropriate value might be "ReplacementCounted". Likewise, if this is the first attempt of the course, then this value might be "RepeatNotCounted".</p>				
CourseCIPCode	Optional Choice	The Classification of Instructional Programs (CIP) code to describe the area of study for the course.	Not Recommended	minOcc 0 maxOcc 1 minLength 1 maxLength 10
CourseCSISCode	Optional Choice	The Statistics Canada Canadian College Student Information System (CCSIS) code to describe the area of study for the course.	Not Recommended	minOcc 0 maxOcc 1 minLength 1 maxLength 10
CourseUSISCode	Optional Choice	The Statistics Canada University Student Information System (USIS) code to describe the area of study for the course.	Not Recommended	minOcc 0 maxOcc 1 minLength 1 maxLength 10
CourseNCESCode	Optional Choice	The code set developed (or being developed) by the United States Department of Education's National Center for Education Statistics for the Classification of Secondary School Courses	Optional (use one)	minOcc 0 maxOcc 1 minLength 1 maxLength 10
CourseSCEDCode	Optional Choice	The School Codes for the Exchange of Data (SCED) code set being developed for the United States Department of Education's National Center for Education Statistics to describe the content and level of a course	Optional (use one)	minOcc 0 maxOcc 1 minLength 12 maxLength 12
<p><b>Comment:</b> This is a code set that is structured as follows:            Digits 1, 2: This is the major subject area of course content in the high school course. Its breakdown is shown as the next data element (CourseSubjectAreaCode) which follows.            Digits 3-5: A further breakdown of the course content in the high school course.            Digit 6: Course Level (B for basic or remedial; G for general or regular; E for enriched or advanced, and H for honors).            Digits 7-10: Available Credit. For example, a course offered as a 1 Carnegie Unit course would indicate 1.00            Digits 11-12: Sequence of Courses. For example, 34 would be used to indicate this is the third course in a 4 course sequence.</p>				
CourseFiveDigitSCEDCode	Optional Choice	This set of code values is derived from the first five digits of the CourseSCEDCode above.	Optional	minOcc 0 maxOcc 1 minLength 5 maxLength 5
<p><b>Comment:</b> The CourseFiveDigitSCED is a code set to describe the content of a high school course.</p>				

Tag Name	Schema Use	Description	Recommended Use	Format
CourseSubjectAreaCode	Optional Choice	This set of code values is derived from the first two digits of the CourseSCEDCode above.	Optional (use one)	minOcc 0 maxOcc 1 <b>Enumerations:</b> EnglishLanguageLiterature Mathematics LifePhysicalSciences SocialSciencesHistory FinePerformingArts ForeignLanguageLiterature ReligiousEducationTheology PhysicalHealthSafetyEducation MilitaryScience ComputerInformationSciences CommunicationsAudioVisualTechnology BusinessMarketing Manufacturing HealthCareSciences PublicProtectiveGovernmentService HospitalityTourism ArchitectureConstruction AgriculturefoodNaturalResources HumanServices TransportationDistributionLogistics EngineeringTechnology Miscellaneous
<p><b>Comment:</b> This is a code set that is based on the first two digits of the Course SCED Code above. The SCED Code is maintained by the US Department of Education's National Center for Education Statistics (NCES). If it is updated in the future, then PESC will keep this code set in synch with the first two digits of the SCED Code.</p>				
CourseQualityPointsEarned	Optional	The numerical value assigned to a letter grade to provide a basis of quantitative determination of an average.	Recommended	minOcc 0 maxOcc 1 xs:decimal
<p><b>Comment:</b> For example, if the student earned a grade of B in the course, and if the grade of B is worth 3 grade points, and if this course was worth 1 Carnegie Unit, then the value of this data element is "3". Likewise, for a course that is worth 0.5 Carnegie Units, a grade of B would be worth "1.5" CourseQualityPointsEarned.</p>				
CourseLevel	Optional	The level of work demonstrated by successful completion of the academic course being described	Recommended	minOcc 0 maxOcc 1 <b>Enumerations:</b> Accelerated AdultBasic AdvancedPlacement Basic InternationalBaccalaureate CollegeLevel CollegePreparatory GiftedTalented Honors NonAcademic Regents Remedial SpecialEducation TechnicalPreparatory Vocational

Tag Name	Schema Use	Description	Recommended Use	Format
CourseGPAApplicabilityCode	Optional	An indicator of whether or not this course being described is included in the computation of the student's Grade Point Average, and if so, if it weighted differently from regular courses.	Recommended	minOcc 0 maxOcc 1  <b>Enumerations:</b> Applicable NotApplicable Weighted
CourseSubjectAbbreviation	Optional	The alphabetic abbreviation of the academic department or discipline offering the course. It is one part of the total course identifier number.	Recommended	minOcc 0 maxOcc 1 minLength 1 maxLength 10
<b>Comment:</b> As with all recommended data elements, if the sending school does not use alphabetic abbreviations as part of the course numbering system, then this data element would not exist and would not be included.				
CourseNumber	Optional	The official reference number portion of a course identifier. This number frequently designates the level of the course as well as the level of the student expected to enroll in the course	Recommended	minOcc 0 maxOcc 1 minLength 1 maxLength 15
CourseSectionNumber	Optional	The number assigned to differentiate among distinct occurrences of courses that have the same course abbreviation and number but are considered to be different courses.	Optional	minOcc 0 maxOcc 1 minLength 1 maxLength 10
<b>Comment:</b> If course section number is used, it should probably be further explained in a note. If it only means, for example, that the course was taught at 9 am instead of 8 am, then it should probably not be included. However, it is now possible to use this field to include a unique identifier for instructors to facilitate PK through 20 studies.				
OriginalCourseID	Optional	The course ID as it was listed when the credit was earned (e.g. before a system conversion) to show consistency between present transcripts and older ones.	Recommended	minOcc 0 maxOcc 1 minLength 1 maxLength 30
AgencyCourseID	Optional	The course ID that might have been assigned to this course by the state or other agency	Optional	minOcc 0 maxOcc 1 minLength 1 maxLength 30
CourseTitle	Optional	The name or title of the course taken by a student at an academic institution.	Recommended	minOcc 0 maxOcc 1 minLength 1 maxLength 60
CourseAddDate	Optional	The date a student was added to an academic course at a school.	Optional	minOcc 0 maxOcc 1  xs:date
<b>Comment:</b> Most high schools would not have this date readily available in the school's database. It would be of questionable value to the receiving postsecondary institution. The format of date is ccyymm-dd.				
CourseDropDate	Optional	The date on which the student drops or withdraws from the course.	Optional	minOcc 0 maxOcc 1  xs:date
<b>Comment:</b> If this date is readily available, it might be of some value to the receiving postsecondary institution. However, most postsecondary institutions would probably ignore this field				
CourseOverrideSchool	Optional	The school where the credit was earned if different from the Academic Session School	Conditional	minOcc 0 maxOcc 1
<b>Comment:</b> This might be used when a full time student at one school is also taking one course at another high school, community college or university during the session by some sort of prior institutional agreement. This complex data element will be expanded on page 246 which follows in this Guide.				

Tag Name	Schema Use	Description	Recommended Use	Format
OverrideSchoolCourseNumber	Optional	The course ID as it was listed at the school where the credit was earned	Conditional	minOcc 0 maxOcc 1 minLength 1 maxLength 35
<b>Comment:</b> CourseOverrideSchool and OverrideSchoolCourseNumber are normally used for situations like consortiums, concurrent enrollment or transfer courses, although transfer work is recommended to be reported in a separate session with an override school.				
CourseApplicability	Optional	The academic program to which this academic course applies toward graduation.	Not Recommended	minOcc 0 maxOcc 1  <b>Enumerations:</b> NotApplicable FirstProgram SecondProgram BothPrograms
CourseBeginDate	Optional	The official begin date for this course	Optional	minOcc 0 maxOcc 1  xs:date
<b>Comment:</b> The format of date is ccyy-mm-dd.				
CourseEndDate	Optional	The official end date for this course	Optional	minOcc 0 maxOcc 1  xs:date
<b>Comment:</b> CourseBeginDate and CourseEndDate are recommended when the dates differ from the session begin and end dates. The format for date is ccyy-mm-dd.				
CourseInstructionSite	Optional	An indication of the type of location at which the course is taught.	Optional	minOcc 0 maxOcc 1  <b>Enumerations:</b> OnCampus OffCampus Extension StudyAbroad Correctional Military Telecommunication Auxiliary ClinicHospital
CourseInstructionSiteName	Optional	The name of the location at which the course is taught.	Optional	minOcc 0 maxOcc 1 minLength 1 maxLength 30
Requirement	Optional Repeatable	Curriculum requirements satisfied by successful completion of this course	Optional	minOcc 0 maxOcc ∞
<b>Comment:</b> This complex data element will be expanded on page 262 which follows in this Guide.				
Attribute	Optional Repeatable	Attributes of this course which may require special handling by the receiving institution	Optional	minOcc 0 maxOcc ∞
<b>Comment:</b> This complex data element will be expanded on page 264 which follows in this Guide.				
Proficiency	Optional Repeatable	Proficiency level signified by successful completion of this course	Optional	minOcc 0 maxOcc ∞
<b>Comment:</b> This complex data element will be expanded on page 266 which follows in this Guide.				
Licensure	Optional Repeatable	Licensure requirements satisfied by successful completion of this course	Optional	minOcc 0 maxOcc ∞
<b>Comment:</b> This complex data element will be expanded on page 268 which follows.				

Tag Name	Schema Use	Description	Recommended Use	Format
LanguageOfInstruction	Optional Repeatable	Language associated with one or more aspects of the course	Optional	minOcc 0 maxOcc ∞
<p><b>Comment:</b> This optional data element would not be sent if the language is English and the sending school is in the United States. This complex data element will be expanded on page 269 which follows in this Guide.</p>				
NoteMessage	Optional Repeatable	Additional information about the course	Not Recommended	minOcc 0 maxOcc ∞ minLength 1 maxLength 80
UserDefinedExtensions	Optional	Additional structured information. Requires mutually defined XML schema.	Optional	minOcc 0 maxOcc 1
<p><b>Comment:</b> This is not the appropriate place in the instance document to include courses taken at the sending school. Neither is it the recommended place to include courses transferred in from another school, if enough information is available to include them as a separate session either with an override school indicated, or as another iteration of the academic record for the other school. If possible, always include courses under a session. If this is not possible, for example, if the courses were transferred in from an international school, or not enough information was included about the session at the other school to make the session meaningful, then those transfer courses may be included here.</p>				



## Student.AcademicRecord.Course (Continued)

Code illustration:

```
<Course>
  <CourseCreditBasis>Regular</CourseCreditBasis>
  <CourseCreditUnits>CarnegieUnits</CourseCreditUnits>
  <CourseCreditLevel />
  <CourseCreditValue>1</CourseCreditValue>
  <CourseCreditEarned>1</CourseCreditEarned>
  <CourseAcademicGradeScaleCode>25</CourseAcademicGradeScaleCode>
  <CourseAcademicGrade>A</CourseAcademicGrade>
  <CourseSupplementalAcademicGrade>

  </CourseSupplementalAcademicGrade>
  <CourseAcademicGradeStatusCode/>
  <CourseNarrativeExplanationGrade/>
  <CourseRepeatCode>RepeatCounted</CourseRepeatCode>
  <CourseSCEDCode>04151H1.0011</CourseSCEDCode>
  <CourseQualityPointsEarned>4</CourseQualityPointsEarned>
  <CourseLevel>CollegePreparatory</CourseLevel>
  <CourseSubjectAbbreviation>HIS</CourseSubjectAbbreviation>
  <CourseNumber>201</CourseNumber>
  <CourseSectionNumber />
  <OriginalCourseID>HIST201</OriginalCourseID>
  <AgencyCourseID>HIS020201</AgencyCourseID>
  <CourseTitle>United States History 1</CourseTitle>
  <CourseAddDate>2005-09-01</CourseAddDate>
  <CourseDropDate />
  <CourseOverrideSchool>

  </CourseOverrideSchool>
  <OverrideSchoolCourseNumber/>
  <CourseApplicability/>
  <CourseBeginDate>2005-09-01</CourseBeginDate>
  <CourseEndDate>2005-12-07</CourseEndDate>
  <CourseInstructionSite>OnCampus</CourseInstructionSite>
  <CourseInstructionSiteName/>
  <Requirement>

  </Requirement>
  <Attribute>

  </Attribute>
  <Proficiency>

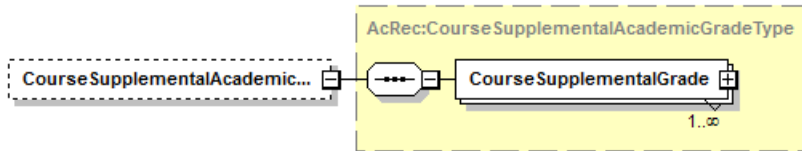
  </Proficiency>
  <Licensure>

  </Licensure>
  <LanguageOfInstruction>

  </LanguageOfInstruction>
  <NoteMessage/>
  <UserDefinedExtensions />
</Course>
```

**Student.AcademicRecord.Course.  
CourseSupplementalAcademicGrade**

**Note:** Although the complex data element *CourseSupplementalAcademicGrade* is optional, if you include it in the instance document, then at least one occurrence of the complex data element *CourseSupplementalGrade* is required.



Tag Name	Schema Use	Description	Recommended Use	Format
CourseSupplementalGrade	Required Repeatable	Information in the child data element CourseSupplementalGrade about the inclusion of component parts of a grade in a course.	Required	minOcc 1 maxOcc ∞

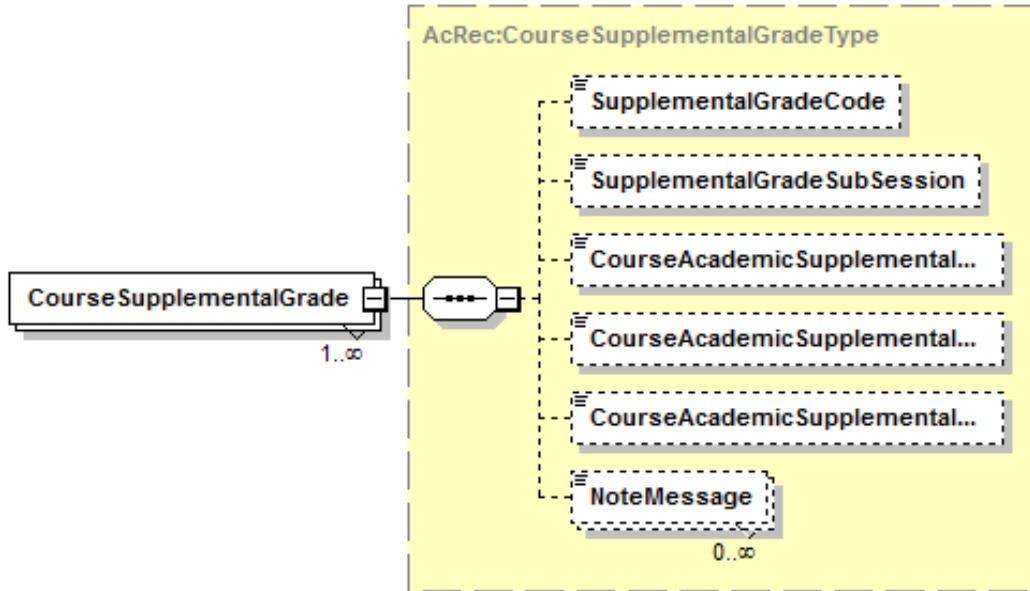
**Comment:** *CourseSupplementalAcademicGrade* is optional and has only one child data element. This structure is created so the processing of the incoming transcript is greatly simplified if the transcript includes no supplemental grades. This complex data element will be expanded on the following page (244) in this Guide.

Code illustration:

```
<CourseSupplementalAcademicGrade>
  <CourseSupplementalGrade>

  </CourseSupplementalGrade>
</CourseSupplementalAcademicGrade>
```

**Student.AcademicRecord.Course.  
CourseSupplementalAcademicGrade.CourseSupplementalGrade**



Tag Name	Schema Use	Description	Recommended Use	Format
SupplementalGradeCode	Optional	The type of component grade that is being included for an education course	Recommended	minOcc 0 maxOcc 1  <b>Enumerations:</b> BiCourseGrade BlendedFinalGrade ExamGrade InstructorAssignedGrade SubSessionGrade TriCourseGrade
<b>Comment:</b> If this data element is to be used effectively, a code set should be created by a state or region. An example is given below in the Code Illustration. If not, then User Defined Extensions would be an alternate method of including this information.				
SupplementalGradeSubSession	Optional	This is the numeric count of the subsession of a course. The earliest subsession would have the value of "1". The next would be "2", etc. Each would be a positive whole number.	Optional	minOcc 0 maxOcc 1
CourseAcademicSupplementalGradeScaleCode	Optional	The grading scale used by an academic educational institution for an academic course.	Optional	minOcc 0 maxOcc 1 minLength 1 maxLength 3
<b>Comment: Comment:</b> Grade scale is based on the American Medical Colleges Admissions Services (AMCAS) grading scale, values 01 through 99. See Appendix H for a complete list of code values.				
CourseAcademicSupplementalGradeStatusCode	Optional	Special enrollment or completion status of this course	Optional	minOcc 0 maxOcc 1

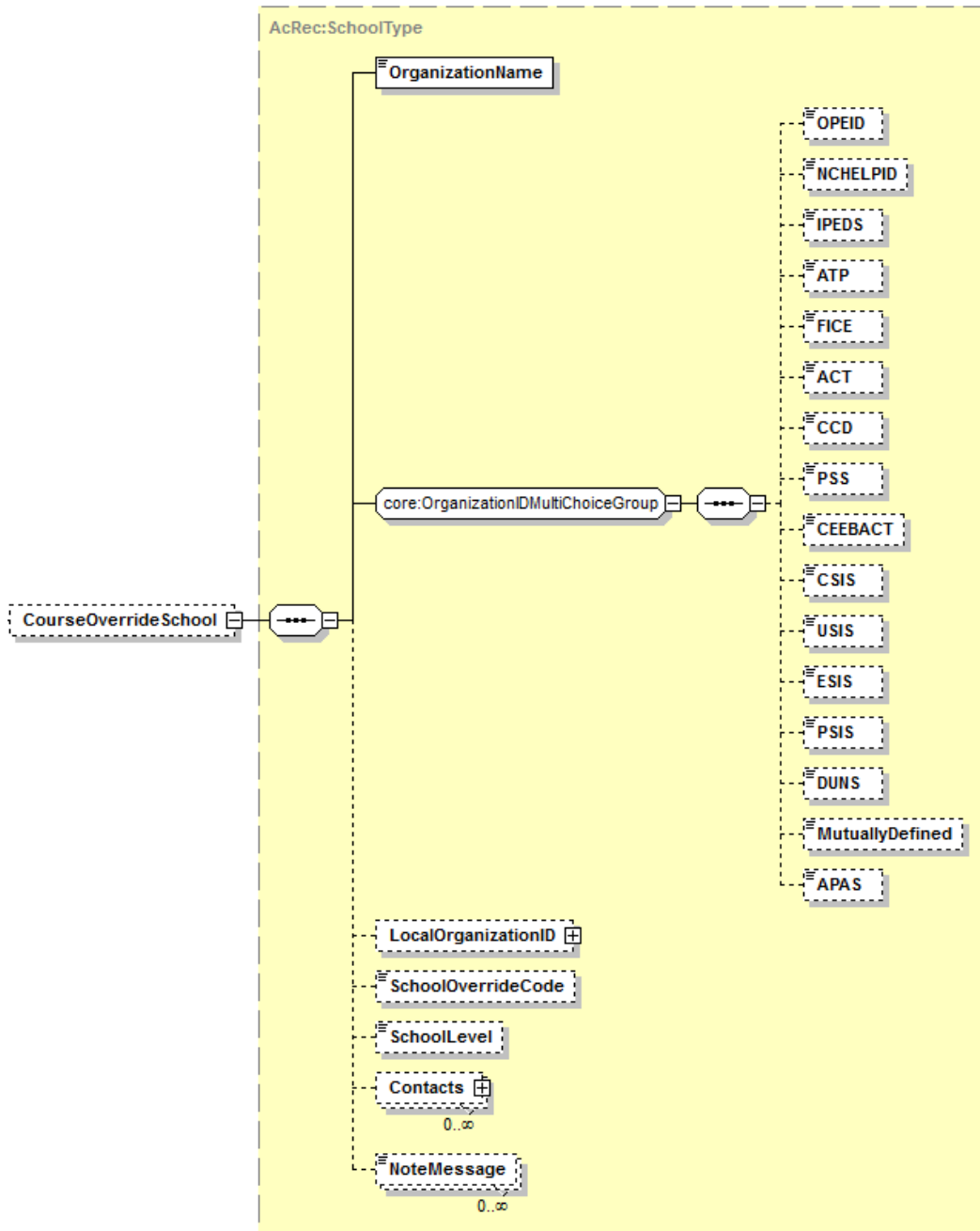
Tag Name	Schema Use	Description	Recommended Use	Format
				<b>Enumerations:</b> AuditedCourse HonorsGrade Incomplete IncompleteNotResolvedFail InProgress NotYetReported OtherFail OtherPass PassFailFail PassFailPass TransferNoGrade Withdrew WithdrewFailing WithdrewNoPenalty WithdrewPassing
<b>Comment:</b> For crosswalk purposes from and to the ANSI ASC X12 EDI transaction grade scale codes, the equivalents are 500 – InProgress; 501 – PassFailPass; 502 – PassFailFail; 503 – CreditByExam; 504 – TransferNoGrade; 505 – Incomplete; 506 – WithdrewNoPenalty; 507 – WithdrewPassing; 509 – WithdrewFailing; 510 – HonorsGrade; 511 – AuditedCourse; 512 – Exempted; 513 – NotYetReported; 514 – IncompleteNotResolvedFail; 530 – OtherPassGrade; 531 – OtherFailGrade.				
CourseAcademicSupplementalGrade	Optional	The academic grade reported for this component or supplemental course	Optional	minOcc 0 maxOcc 1 minLength 1 maxLength 10
<b>Comment:</b> The format of date is ccyy-mm-dd.				
NoteMessage	Optional Repeatable	Additional information about the Course Supplemental Grade	Not Recommended	minOcc 0 maxOcc ∞ minLength 1 maxLength 80

Code illustration:

```

<CourseSupplementalGrade>
  <SupplementalGradeCode>InstructorAssignedGrade</SupplementalGradeCode>
  <SupplementalGradeSubSession/>
  <CourseAcademicSupplementalGradeScaleCode>25<CourseAcademicSupplementalGradeScaleCode>
  <CourseAcademicSupplementalGradeStatusCode/>
  <CourseAcademicSupplementalGrade>B<CourseAcademicSupplementalGrade>
  <NoteMessage/>
</CourseSupplementalGrade>
    
```

### Student.AcademicRecord.Course.CourseOverrideSchool



### Student.AcademicRecord.AcademicSession.Course. CourseOverrideSchool (Continued)

Tag Name	Schema Use	Description	Recommended Use	Format
----------	------------	-------------	-----------------	--------

Tag Name	Schema Use	Description	Recommended Use	Format
OrganizationName	Required	Name of override school	Required	minOcc 1 maxOcc 1 minLength 1 maxLength 60
<b>Comment:</b> The group core:OrganizationIDMultiChoiceGroup is not an XML tag and does not appear in the instance document. It allows for the optional use of multiple occurrences of code sets for an individual school, provided they occur in the same order in which they appear in the schema.				
OPEID	Optional choice	The unique identifier assigned by the Office of Postsecondary Education for each data exchange partner.	Optional choice	minOcc 0 maxOcc 1 minLength 3 maxLength 8
<b>Comment:</b> The OPEID would only be appropriate if the course were taken at a postsecondary institution.				
NHELPLID	Optional choice	The unique identifier assigned by National Council on Higher Education Loan Programs for each data exchange partner.	Not Recommended	minOcc 0 maxOcc 1 minLength 3 maxLength 8
<b>Comment:</b> The NHELPLID is not an appropriate code to describe a school that offers academic courses.				
IPEDS	Optional choice	The unique identifier assigned by the National Center for Education Statistics for the Integrated Postsecondary Education Data System for each postsecondary data exchange partner.	Optional choice	minOcc 0 maxOcc 1 minLength 6 maxLength 6
<b>Comment:</b> The IPEDS code set is not appropriate for indicating a high school that offers an academic course. However, if this override school is a postsecondary institution, then this is an appropriate choice.				
ATP	Optional choice	The unique identifier assigned for the Admissions Testing Program by the College Board for each postsecondary data exchange partner.	Optional choice	minOcc 0 maxOcc 1 minLength 6 maxLength 6
<b>Comment:</b> The ATP code set is not appropriate for indicating a high school that offers an academic course, but if this override school is a postsecondary institution, then this is an appropriate choice.				
FICE	Optional choice	The unique identifier assigned for the Federal Interagency Committee on Education by the US Department of Education's National Center for Education Statistics for each postsecondary data exchange partner	Optional choice	minOcc 0 maxOcc 1 minLength 6 maxLength 6
<b>Comment:</b> The FICE code set is not appropriate for indicating a high school that offers an academic course, but if this override school is a postsecondary institution, then this is an appropriate choice. However, even though this code set is widely used in the postsecondary area, it has not been maintained since the last century.				
ACT	Optional choice	The unique identifier assigned by the American College Testing or ACT for each postsecondary data exchange partner. See www.act.org.	Optional choice	minOcc 0 maxOcc 1 minLength 4 maxLength 4
<b>Comment:</b> The ACT code set is not appropriate for indicating a high school that offers an academic course, but if this override school is a postsecondary institution, then this is an appropriate choice.				
CCD	Optional choice	The unique identifier assigned by the US Department of Education's National Center for Education Statistics as the Common Core of Data for each K12 data exchange partner.	Recommended choice	minOcc 0 maxOcc 1 minLength 12 maxLength 12

Tag Name	Schema Use	Description	Recommended Use	Format
PSS	Optional choice	The unique identifier assigned to private K12 schools in the US by the US Department of Education's National Center for Education Statistics (NCES)	Recommended choice	minOcc 0 maxOcc 1 minLength 8 maxLength 8
<b>Comment:</b> The PSS would be a good choice to identify private secondary schools in the US.				
CEEBACT	Optional choice	The unique identifier assigned by the College Entrance Examining Board and ACT for each K12 data exchange partner.	Recommended choice	minOcc 0 maxOcc 1 minLength 6 maxLength 6
<b>Comment:</b> The CEEBACT code set is arguably the most common code for indicating a high school that offers academic courses.				
CSIS	Optional choice	The unique identifier assigned by the Statistics Canada Canadian College Student Information System for each postsecondary data exchange partner	Not Recommended	minOcc 0 maxOcc 1 minLength 6 maxLength 6
<b>Comment:</b> The CSIS code set is no longer being used in Canada. It was previously used to identify colleges in Canada.				
USIS	Optional choice	The unique identifier assigned by the Statistics Canada University Student Information System for each postsecondary data exchange partner	Not Recommended	minOcc 0 maxOcc 1 minLength 6 maxLength 6
<b>Comment:</b> The USIS code set is no longer being used in Canada. It was previously used to identify universities in Canada.				
ESIS	Optional choice	The unique identifier assigned by the Statistics Canada Enhanced Student Information System for each postsecondary data exchange partner.	Not Recommended	minOcc 0 maxOcc 1 minLength 8 maxLength 8
<b>Comment:</b> The ESIS code set is also in the process of being phased out to identify postsecondary schools in Canada. It is being replaced by the PSIS code set below. It would not be an acceptable choice to identify secondary schools.				
PSIS	Optional choice	The unique identifier assigned by the Statistics Canada Enhanced Student Information System for each data exchange partner.	Not recommended	minOcc 0 maxOcc 1 minLength 8 maxLength 8
<b>Comment:</b> The PSIS code set would be the preferred choice to identify postsecondary schools in Canada. It would not be an acceptable choice to identify secondary schools.				
DUNS	Optional choice	Data Universal Numbering System (DUNS), unique nine character company identification number issued by Dun and Bradstreet Corporation.	Not Recommended	minOcc 0 maxOcc 1 minLength 9 maxLength 9
<b>Comment:</b> The DUNS code would not normally be an appropriate code set to use to indicate an academic institution.				
MutuallyDefined	Optional choice	This code set could be used by prior agreement among a set of trading partners.	Optional choice	minOcc 0 maxOcc 1 minLength 1 maxLength 60
<b>Comment:</b> MutuallyDefined would not normally be an appropriate code set to use to indicate an academic institution unless a prior agreement had been made among trading partners..				
APAS	Optional choice	Identification codes used by the Alberta Post-Secondary Application System.	Optional choice	minOcc 0 maxOcc 1 minLength 2 maxLength 12
<b>Comment:</b> This is an appropriate choice for institutions in Canada.				
<b>Comment:</b> Although it is not necessary (but it is strongly recommended) to send one of the above 12 codes, if you choose to do so, then choose one or more of the noted appropriate codes.				

Tag Name	Schema Use	Description	Recommended Use	Format
LocalOrganizationID	Optional	A code set typically used by a state, province or region to further identify the school whose record is being sent	Optional	minOcc 0 maxOcc 1
<b>Comment:</b> This complex data element will be expanded on page 250 which follows in this Guide.				
SchoolOverrideCode	Optional	The source of the academic credit <b>if not awarded by the home or parent institution.</b> <i>Institutional</i> - Institutional Agreement <i>Multicampus</i> - Multiple Campus Course Offering <i>Transfer</i> - Transfer Credit <i>StudyAbroad</i> - Study Abroad <i>Coop</i> - Cooperative Program <i>Reciprocal</i> - Reciprocal Exchange <i>Internship</i> - Internship	Recommended	minOcc 0 maxOcc 1  <b>Enumerations:</b> Institutional Multicampus Transfer StudyAbroad Coop Reciprocal Internship
SchoolLevel	Optional	Indicates level of Override School	Recommended	minOcc 0 maxOcc 1  <b>Enumerations:</b> Elementary HighSchool JuniorHigh Middle Other Postsecondary Secondary
Contacts	Optional Repeatable	Contact info at Override School	Optional	minOcc 0 maxOcc ∞
<b>Comment:</b> The sending school would not normally have any information about contacts at the override school so this would not normally be included with the High School Transcript. This complex data element will be expanded on page 251 which follows in this Guide.				
NoteMessage	Optional Repeatable	Additional information about the Override School	Not Recommended	minOcc 0 maxOcc ∞ minLength 1 maxLength 80

## Student.AcademicRecord.AcademicSession.Course. CourseOverrideSchool (Continued)

Code illustration:

```

<CourseOverrideSchool>
  <OrganizationName>Miami Dade School District; Miami Senior High School</OrganizationName>
  <CEEBACT>101075</CEEBACT>
  <CCD>123456789012</CCD>
  <LocalOrganizationID>

  </LocalOrganizationID>
  <SchoolOverrideCode>Reciprocal</SchoolOverrideCode>
  <SchoolLevel>Secondary</SchoolLevel>
  <Contacts>

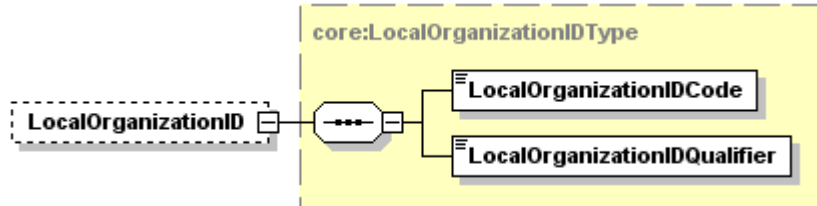
  </Contacts>
  <Note/Message/>
</CourseOverrideSchool>

```



## Student.AcademicRecord.Course.CourseOverrideSchool. LocalOrganizationID

**Note:** Although the complex data element *LocalOrganizationID* is an optional data element, if you choose to send *LocalOrganizationID*, then you must also send both *LocalOrganizationIDCode* and also *LocalOrganizationIDQualifier*

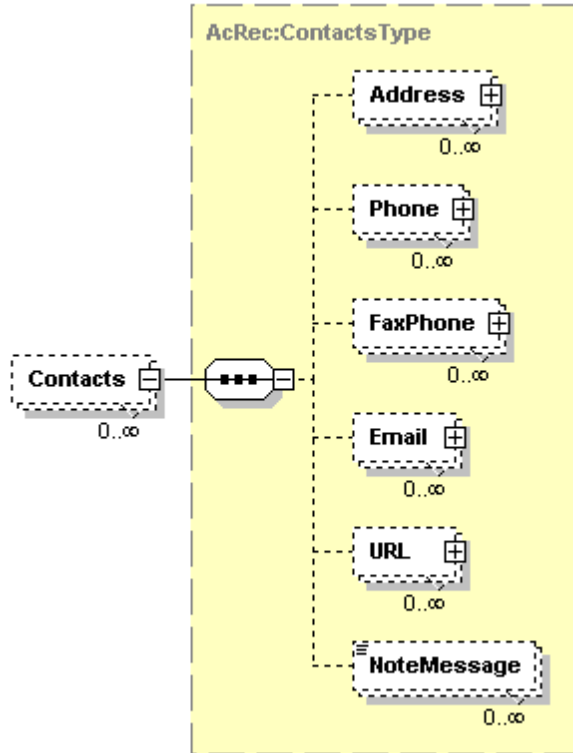


Tag Name	Schema Use	Description	Recommended Use	Format
LocalOrganizationIDCode	Required	The code assigned for the receiving school by the state, province or other mutually defined agency specified in the LocalIDQualifier that follows.	Required	minOcc 1 maxOcc 1 minLength 1 maxLength 35
<b>Comment:</b> This is a required data element only if the LocalOrganizationID data element is sent. This is typically the administrative school code assigned by a state or province to identify the receiving school in that state.				
LocalOrganizationIDQualifier	Required	This is the state, province or other mutually defined agency that assigned the Local ID Code above.	Required	minOcc 1 maxOcc 1  See Appendix A.
<b>Comment:</b> This is a required data element only if the Local ID data element is sent. This is typically the state or province that assigned the code to identify the receiving school in that state.				

Code illustration:

```
<LocalOrganizationID>
  <LocalOrganizationIDCode>340005501</LocalOrganizationIDCode>
  <LocalOrganizationIDQualifier>FL</LocalOrganizationIDQualifier>
</LocalOrganizationID>
```

**Student.AcademicRecord.Course.CourseOverrideSchool.Contacts**



Tag Name	Schema Use	Description	Recommended Use	Format
Address	Optional Repeatable	Address of the Override School	Recommended	minOcc 0 maxOcc ∞
<i>Comment: This complex data element will be expanded on page 253 which follows in this Guide.</i>				
Phone	Optional Repeatable	Phone Number of the Override School	Optional	minOcc 0 maxOcc ∞
<i>Comment: This complex data element will be expanded on page 256 which follows in this Guide.</i>				
FaxPhone	Optional Repeatable	Fax phone Number of the Override School	Optional	minOcc 0 maxOcc ∞
<i>Comment: This complex data element will be expanded on page 258 which follows in this Guide.</i>				
Email	Optional Repeatable	Email Address of the Override School	Optional	minOcc 0 maxOcc ∞
<i>Comment: This complex data element will be expanded on page 260 which follows in this Guide.</i>				
URL	Optional Repeatable	Universal Resouce Locator of the Override School	Optional	minOcc 0 maxOcc ∞
<i>Comment: This complex data element will be expanded on page 261 which follows in this Guide.</i>				
NoteMessage	Optional Repeatable	Additional information about the contacts at the Override School	Not Recommended	minOcc 0 maxOcc ∞ minLength 1 maxLength 80

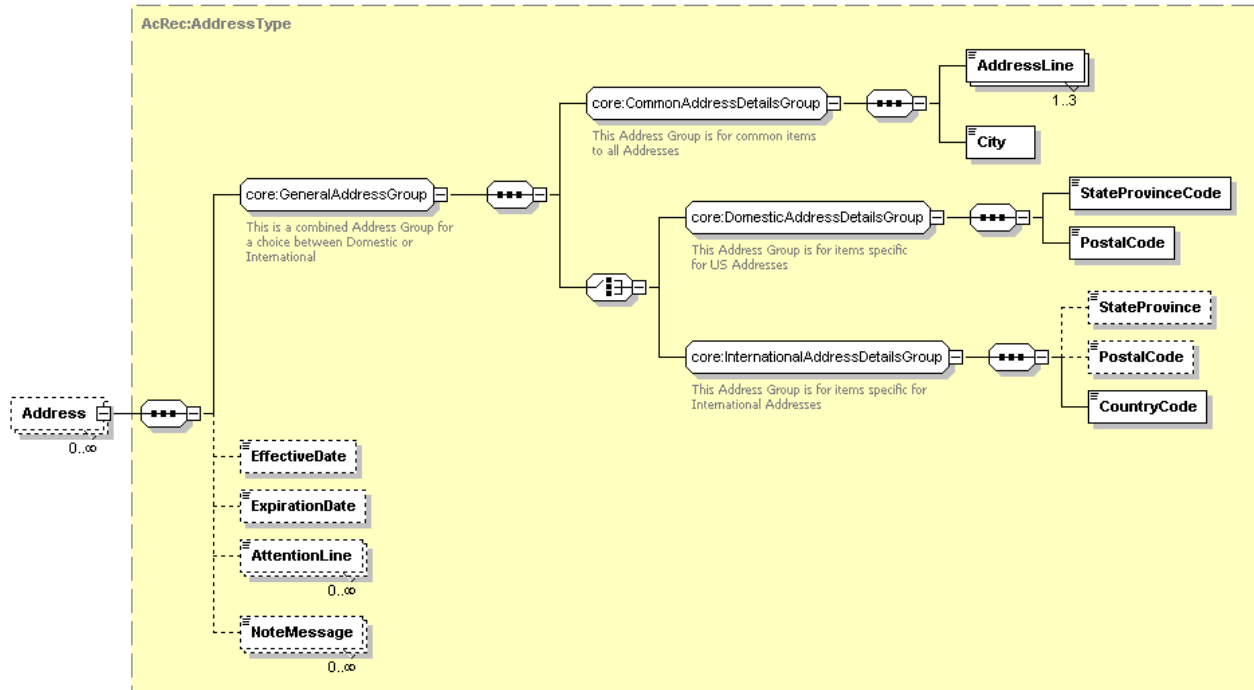
## Student.AcademicRecord.Course.CourseOverrideSchool.Contacts (Continued)

Code illustration:

```
<Contacts>  
  <Address>  
  
    </Address>  
    <Phone>  
  
    </Phone>  
    <FaxPhone>  
  
    </FaxPhone>  
    <Email>  
  
    </Email>  
    <URL>  
  
    </URL>  
  <NoteMessage/>  
</Contacts>
```

## Student.AcademicRecord.Course.CourseOverrideSchool.Contacts.Address

**Note:** Although the complex data element Address is an optional data element, if you choose to send the Address of the Course Override School, then you must send AddressLine and City and also StateProvinceCode, and PostalCode OR CountryCode.



Tag Name	Schema Use	Description	Recommended Use	Format
GeneralAddressGroup	Required	This Address Group is for items common to all Addresses	Required	minOcc 1 maxOcc 1
<b>Comment:</b> [GeneralAddressGroup] does not appear in the instance document. It requires the use of CommonAddressDetailsGroup and the choice of one of either DomesticAddressDetailsGroup or InternationalAddressDetailsGroup. This group is required in the schema only if you choose to send the address of the contact.				
CommonAddressDetailsGroup	Required	This Address Group is for items common to all Addresses	Required	minOcc 1 maxOcc 1
<b>Comment:</b> [CommonAddressDetailsGroup] does not appear in the instance document. If the address of a contact is included in the transcript, then this must be sent. It is required and must be paired with one of either DomesticAddressDetailsGroup or InternationalAddressDetailsGroup.				
AddressLine	Required Repeatable	Local delivery information such as street, building number, PO box, or apartment portion of a postal address of a Contact at the Sending (Source) High School.	Required	minOcc 1 maxOcc 3 minLength 1 maxLength 40
City	Required	The city portion of the Address of a Contact at the Sending (Source) High School.	Required	minOcc 1 maxOcc 1 minLength 2 maxLength 30

Tag Name	Schema Use	Description	Recommended Use	Format
<i>DomesticAddressDetailsGroup</i>	Required choice	This Address Group is for items specific for US and Canadian Addresses	Required for domestic addresses	minOcc 1 maxOcc 1
<b>Comment:</b> [DomesticAddressDetailsGroup] does not appear in the instance document. If the complex data element address has a United States or Canadian Postal Code and a US State or Canadian Province Code, then this should be the required choice.				
StateProvinceCode	Required	Code for US states, etc., and Canadian provinces.	Required	minOcc 1 maxOcc 1  <b>Enumerations:</b> See Appendix A
PostalCode	Required	The postal code portion of the Address.	Required	minOcc 1 maxOcc 1 minLength 1 maxLength 17
<i>InternationalAddressDetailsGroup</i>	Required choice	This Address Group is for items specific for International Addresses	Required for international addresses	minOcc 1 maxOcc 1
<b>Comment:</b> [InternationalAddressDetailsGroup] does not appear in the instance document. This choice is for addresses that do not have a US or Canadian postal code.				
StateProvince	Optional	The literal name of the state, province or territory of a postal address of the source of this document. Use for addresses outside US or Canada.	Recommended Refer to common postal practices of the source country	minOcc 0 maxOcc 1 minLength 2 maxLength 30
<b>Comment:</b> For an internet resource of states or other geographical subdivisions in countries other than the US and Canada, you might choose to refer to the website of the Universal Postal Union at <a href="http://www.upu.int">http://www.upu.int</a>				
PostalCode	Optional	The postal code portion of the Address.	Recommended Refer to common postal practices of the source country	minOcc 0 maxOcc 1 minLength 1 maxLength 17
<b>Comment:</b> For an internet resource of states or other geographical subdivisions in countries other than the US and Canada, you might choose to refer to the website of the Universal Postal Union at <a href="http://www.upu.int">http://www.upu.int</a>				
CountryCode	Required	Code indicating Country. Use ISO 3166-1 alpha-2 standard.	Required	minOcc 1 maxOcc 1  <b>Enumerations:</b> See Appendix B1 or B2
EffectiveDate	Optional	The date when this address for the override school did or will become effective	Optional	minOcc 0 maxOcc 1 xs:date with format ccyy-mm-dd
ExpirationDate	Optional	The date when this address for the override school will no longer be valid	Optional	minOcc 0 maxOcc 1 xs:date with format ccyy-mm-dd
AttentionLine	Optional	The individual or office name within the postal address where inquiries should be directed.	Optional	minOcc 0 maxOcc ∞ minLength 1 maxLength 45
<b>Comment:</b> This might be used to indicate where questions about the record should be sent. For example, <i>Principal, Guidance Counselor, Headmaster, etc.</i>				
NoteMessage	Optional Repeatable	Additional information about the addresses of the contacts at the source school	Not recommended	minOcc 0 maxOcc ∞ minLength 1 maxLength 80

## Student.AcademicRecord.Course.CourseOverrideSchool.Contacts. Address (Continued)

Code illustration 1 (Domestic Address):

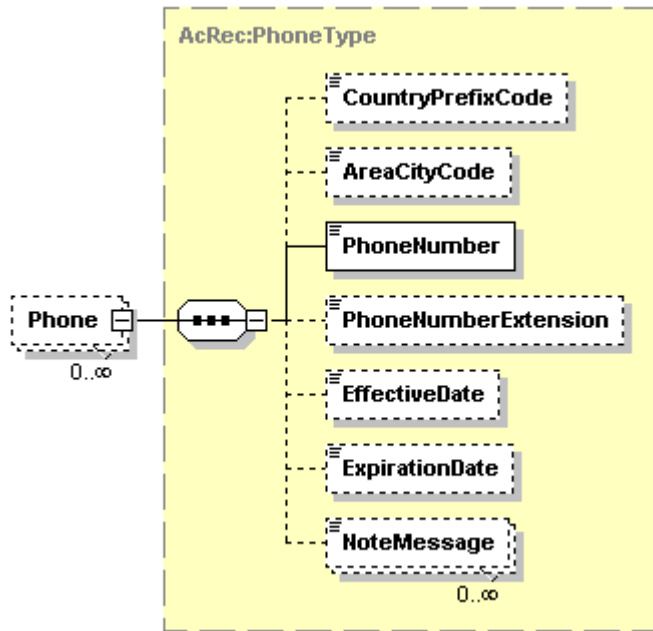
```
<Address>  
  <AddressLine>1715 W Cesar Chavez</AddressLine>  
  <City>Austin</City>  
  <StateProvinceCode>TX</StateProvinceCode>  
  <PostalCode>78703</PostalCode>  
  <EffectiveDate/>  
  <ExpirationDate/>  
  <AttentionLine>Jane Doe</AttentionLine>  
  <AttentionLine>Guidance Counselor</AttentionLine>  
  <NoteMessage/>  
</Address>
```

Code illustration 2 (International Address):

```
<Address>  
  <AddressLine>Altova Corporation</AddressLine>  
  <AddressLine>Rudolfsplatz 13a/9</AddressLine>  
  <City>Wien</City>  
  <StateProvince />  
  <PostalCode>A-1010</PostalCode>  
  <CountryCode>AT</CountryCode>  
  <EffectiveDate/>  
  <ExpirationDate/>  
  <AttentionLine/>  
  <NoteMessage/>  
</Address>
```

## Student.AcademicRecord.Course.CourseOverrideSchool.Contacts. Phone

**Note:** Although the complex data element *Phone* is an optional data element, if you choose to send the *Phone* of the Override School, then you must send the phone number.



Tag Name	Schema Use	Description	Recommended Use	Format
CountryPrefixCode	Optional	International dialing code.	Optional	minOcc 0 maxOcc 1 minLength 1 maxLength 3
AreaCityCode	Optional	Regional dialing code.	Recommended	minOcc 0 maxOcc 1 minLength 1 maxLength 5
<b>Comment:</b> This is the 3 digit area code in the United States and Canada.				
PhoneNumber	Required	Telephone number.	Required	minOcc 1 maxOcc 1 minLength 1 maxLength 11
<b>Comment:</b> The phone number is normally included as a text string with no dashes.				
PhoneNumberExtension	Optional	The extended telephone addressing information used in addition to phone number such as a PBX extension, a pager PIN, or FAX sub-address.	Optional	minOcc 0 maxOcc 1 minLength 1 maxLength 5
EffectiveDate	Optional	The date when the phone number of the override school became or becomes effective	Optional	minOcc 0 maxOcc 1 xs:date with format ccyy-mm-dd

Tag Name	Schema Use	Description	Recommended Use	Format
ExpirationDate	Optional	The date when the phone number of the override school is no longer valie	Optional	minOcc 0 maxOcc 1 xs:date with format ccyy-mm-dd
NoteMessage	Optional Repeatable	Additional information about the phone number of the override school	Not recommended	minOcc 0 maxOcc ∞ minLength 1 maxLength 80

**Comment:** This is the phone of the Course Override School.

Code illustration:

```

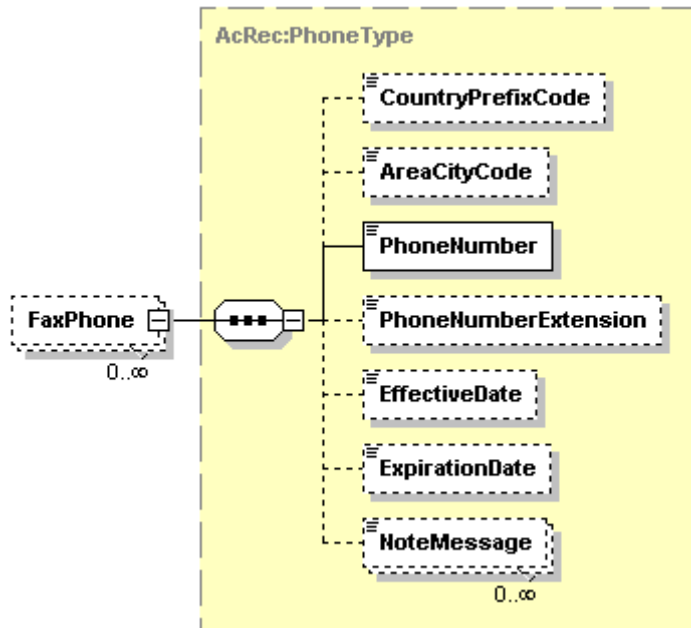
<Phone>
  <CountryPrefixCode />
  <AreaCityCode>512</AreaCityCode>
  <PhoneNumber>4757638</PhoneNumber>
  <PhoneNumberExtension/>
  <EffectiveDate/>
  <ExpirationDate/>
  <NoteMessage/>
</Phone>

```



## Student.AcademicRecord.Course.CourseOverrideSchool.Contacts.FaxPhone

**Note:** Although the complex data element FaxPhone is an optional data element, if you choose to send the FaxPhone of the Override School, then you must send the phone number.



Tag Name	Schema Use	Description	Recommended Use	Format
CountryPrefixCode	Optional	International dialing code.	Optional	minOcc 0 maxOcc 1 minLength 1 maxLength 3
AreaCityCode	Optional	Regional dialing code.	Recommended	minOcc 0 maxOcc 1 minLength 1 maxLength 5
<b>Comment:</b> This is the 3 digit area code in the United States and Canada.				
PhoneNumber	Required	Telephone number.	Required	minOcc 1 maxOcc 1 minLength 1 maxLength 11
<b>Comment:</b> The phone number is normally included as a text string with no dashes.				
PhoneNumberExtension	Optional	The extended telephone addressing information used in addition to phone number such as a PBX extension, a pager PIN, or FAX sub-address.	Optional	minOcc 0 maxOcc 1 minLength 1 maxLength 5
EffectiveDate	Optional	The date when the fax phone number of the override school became or becomes effective	Optional	minOcc 0 maxOcc 1 xs:date with format ccyy-mm-dd

Tag Name	Schema Use	Description	Recommended Use	Format
ExpirationDate	Optional	The date when the fax phone number of the override school no longer is valid	Not recommended	minOcc 0 maxOcc 1 xs:date with format ccyy-mm-dd
NoteMessage	Optional Repeatable	Additional information about the phone number of the override school	Not recommended	minOcc 0 maxOcc ∞ minLength 1 maxLength 80

**Comment:** This is the fax phone of the Override School.

Code illustration:

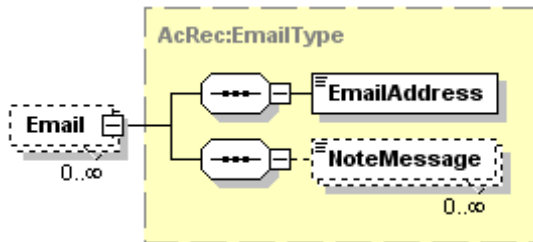
```

<FaxPhone>
  <CountryPrefixCode />
  <AreaCityCode>512</AreaCityCode>
  <PhoneNumber>4757638</PhoneNumber>
  <PhoneNumberExtension />
  <EffectiveDate />
  <ExpirationDate />
  <NoteMessage />
</FaxPhone>

```

## Student.AcademicRecord.Course.CourseOverrideSchool.Contacts. Email

**Note:** Although the complex data element *Email* is an optional data element, if you choose to send the *Email* of the *Override School*, then you must send the *EmailAddress*.



Tag Name	Schema Use	Description	Recommended Use	Format
EmailAddress	Required	The numbers, letters, and symbols used to identify an electronic mail (Email) user within a network.	Required	minOcc 1 maxOcc 1 minLength 1 maxLength 128
NoteMessage	Optional Repeatable	Additional information about the email address	Not recommended	minOcc 0 maxOcc ∞ minLength 1 maxLength 80

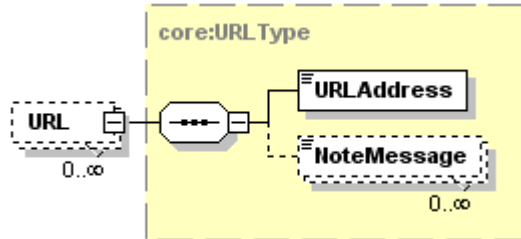
**Comment:** This is the Email of the Course Override School.

Code illustration:

```
<Email>
  <EmailAddress>registrar@newtrier.k12.il.us</EmailAddress>
  <NoteMessage/>
</Email>
```

**Student.AcademicRecord.Course.CourseOverrideSchool.Contacts.URL**

**Note:** Although the complex data element URL is an optional data element, if you choose to send the URL of the Override School, then you must send the URLAddress.

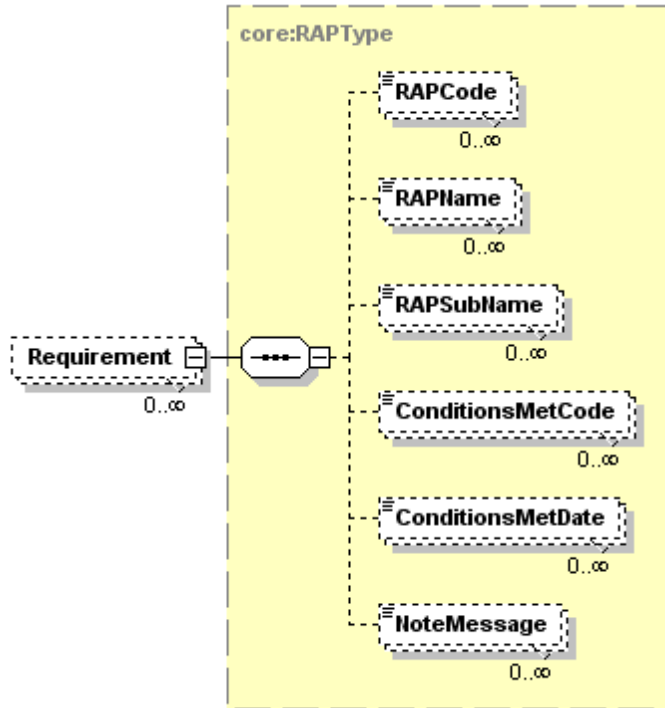


Tag Name	Schema Use	Description	Recommended Use	Format
URLAddress	Required	The Uniform Resource Locator (URL) address associated with a product, deliverable or contact.	Required	minOcc 1 maxOcc 1 minLength 0 maxLength 512
NoteMessage	Optional Repeatable	Additional information about the URL	Not Recommended	minOcc 0 maxOcc ∞ minLength 1 maxLengt 80
<b>Comment:</b> This is the URL of the Course Override School.				

Code illustration:

```
<URL>
  <URLAddress>http://nth.s.newtrier.k12.il.us</URLAddress>
  <NoteMessage />
</URL>
```

## Student.AcademicRecord.Course.Requirement



Tag Name	Schema Use	Description	Recommended Use	Format
RAPCode	Optional Repeatable	Requirement demonstrated or earned in addition to or as part of an academic award.	Recommended	minOcc 0 maxOcc ∞ minLength 1 maxLength 3
<b>Comment:</b> If this data element is to be used effectively, a code set should be created by a state or region. An example is given below in the Code Illustration. If not, then User Defined Extensions would be an alternate method of including this information.				
RAPName	Optional Repeatable	Literal name of requirement	Recommended	minOcc 0 maxOcc ∞ minLength 1 maxLength 60
RAPSubName	Optional Repeatable	Literal name of subsection of requirement	Optional	minOcc 0 maxOcc ∞ minLength 1 maxLength 60
ConditionsMetCode	Optional Repeatable	Indicates whether and how conditions for the requirement have been attained.	Recommended	minOcc 0 maxOcc ∞  <b>Enumerations:</b> Yes No Conditional MutuallyDefined
ConditionsMetDate	Optional Repeatable	Date requirement was met.	Optional	minOcc 0 maxOcc ∞  xs:date
<b>Comment:</b> The format of date is ccyy-mm-dd.				

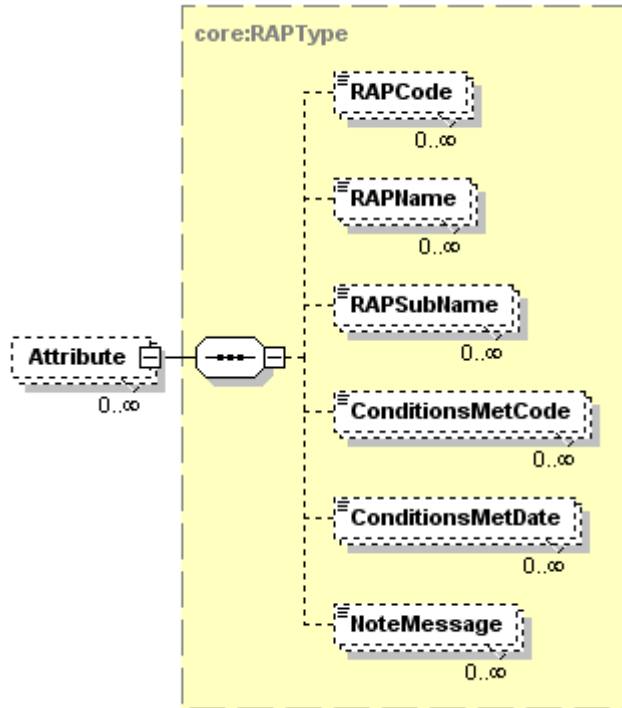
Tag Name	Schema Use	Description	Recommended Use	Format
NoteMessage	Optional Repeatable	Additional information about the requirement	Not Recommended	minOcc 0 maxOcc ∞ minLength 1 maxLength 80

**Comment:** For example, the Requirement part of the course could be used to indicate that completion of this course satisfies a computer literacy requirement for graduation or a Community Service requirement. It could also be use to indicate that this course meets a requirement for admission to the state university system.

Code illustration:

```
<Requirement>
  <RAPCode>9TX</RAPCode>
  <RAPName>TXDegReq</RAPName>
  <RAPSubName>UT Austin Writing Component</RAPSubName>
  <ConditionsMetCode>Yes</ConditionsMetCode>
  <ConditionsMetDate>2002-08-13</ConditionsMetDate>
  <NoteMessage/>
</Requirement>
```

### Student.AcademicRecord.Course.Attribute



Tag Name	Schema Use	Description	Recommended Use	Format
RAPCode	Optional Repeatable	Attribute demonstrated or earned in addition to academic award.	Recommended	minOcc 0 maxOcc ∞ minLength 1 maxLength 3
<b>Comment:</b> If this data element is to be used effectively, a code set should be created by a state or region. An example is given below in the Code Illustration. If not, then User Defined Extensions would be an alternate method of including this information.				
RAPName	Optional Repeatable	Literal name of attribute	Recommended	minOcc 0 maxOcc ∞ minLength 1 maxLength 60
RAPSubName	Optional Repeatable	Literal name of subsection of attribute	Optional	minOcc 0 maxOcc ∞ minLength 1 maxLength 60
ConditionsMetCode	Optional Repeatable	Indicates whether and how conditions for certification have been attained.	Recommended	minOcc 0 maxOcc ∞ <b>Enumerations:</b> Yes No Conditional MutuallyDefined
ConditionsMetDate	Optional Repeatable	Date of attribute	Optional	minOcc 0 maxOcc ∞
<b>Comment:</b> The format for date is ccyy-mm-dd.				

Tag Name	Schema Use	Description	Recommended Use	Format
NoteMessage	Optional Repeatable	Additional information about the attribute	Not Recommended	minOcc 0 maxOcc ∞ minLength 1 maxLength 80

**Comment:** For example, the Attribute part of the course could be used to indicate that the course was taught by a university professor, or it was taught in a hands-on computer lab, etc. It would normally only have significant meaning when used by all participating schools within a state or region.

Code illustration:

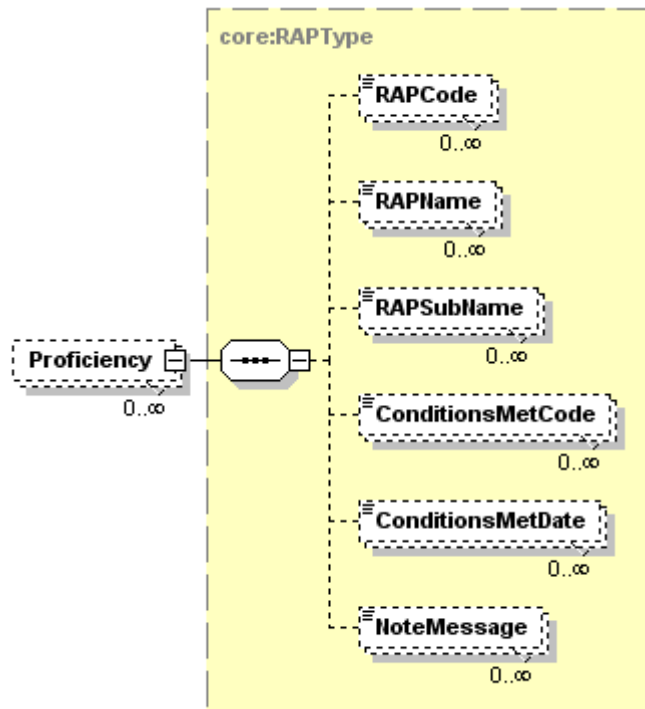
```

<Attribute>
  <RAPCode>9TX</RAPCode>
  <RAPName>TXCORECURR</RAPName>
  <RAPSubName>020Mathematics (I)</RAPSubName>
  <ConditionsMetCode>Yes</ConditionsMetCode>
  <ConditionsMetDate>1997-03-01</ConditionsMetDate>
  <NoteMessage/>
</Attribute>

```



## Student.AcademicRecord.Course.Proficiency



Tag Name	Schema Use	Description	Recommended Use	Format
RAPCode	Optional Repeatable	Proficiency demonstrated or earned in addition to academic award.	Recommended	minOcc 0 maxOcc ∞ minLength 1 maxLength 3
<b>Comment:</b> If this data element is to be used effectively, a code set should be created by a state or region. An example is given below in the Code Illustration. If not, then User Defined Extensions would be an alternate method of including this information.				
RAPName	Optional Repeatable	Literal name of proficiency	Recommended	minOcc 0 maxOcc ∞ minLength 1 maxLength 60
RAPSubName	Optional Repeatable	Literal name of subsection of proficiency	Optional	minOcc 0 maxOcc ∞ minLength 1 maxLength 60
ConditionsMetCode	Optional Repeatable	Indicates whether and how conditions for certification have been attained.	Recommended	minOcc 0 maxOcc ∞  <b>Enumerations:</b> Yes No Conditional MutuallyDefined
ConditionsMetDate	Optional Repeatable	Date of proficiency	Optional	minOcc 0 maxOcc ∞  xs:date
<b>Comment:</b> The format for date is ccyymm-dd.				

Tag Name	Schema Use	Description	Recommended Use	Format
NoteMessage	Optional Repeatable	Additional information about the proficiency	Not Recommended	minOcc 0 maxOcc ∞ minLength 1 maxLength 80

**Comment:** For example, the Proficiency part of the course could be used to indicate successful completion of this course demonstrates a school graduation requirement for computer competency or English proficiency.

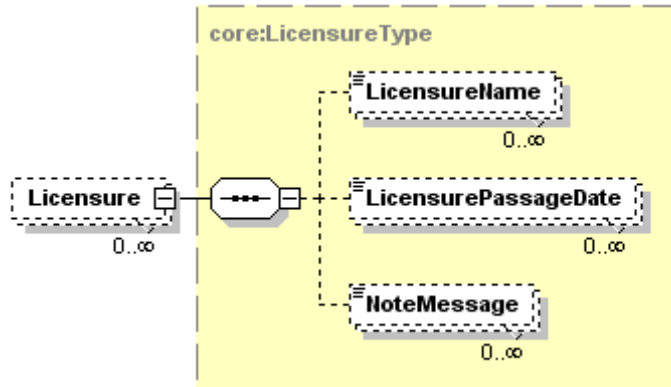
Code illustration:

```

<Proficiency>
  <RAPCode>9TX</RAPCode>
  <RAPName>Computer Literacy Proficiency</RAPName>
  <RAPSubName>CSPROF - ComputerSkillsProficiency</RAPSubName>
  <ConditionsMetCode>Yes</ConditionsMetCode>
  <ConditionsMetDate>2004-10-23</ConditionsMetDate>
  <NoteMessage>Students learn MS Word, PPT and Web Search in this course.</NoteMessage>
</Proficiency>

```

### Student.AcademicRecord.Course.Licensure



Tag Name	Schema Use	Description	Recommended Use	Format
LicensureName	Optional Repeatable	Free-form name of license or certification.	Recommended	minOcc 0 maxOcc ∞ minLength 1 maxLength 60
LicensurePassageDate	Optional Repeatable	Date of licensure passage	Optional	minOcc 0 maxOcc ∞ xs:date
<b>Comment:</b> The format for date is ccy-mm-dd.				
NoteMessage	Optional Repeatable	Additional information about the licensure	Not Recommended	minOcc 0 maxOcc ∞ minLength 1 maxLength 80

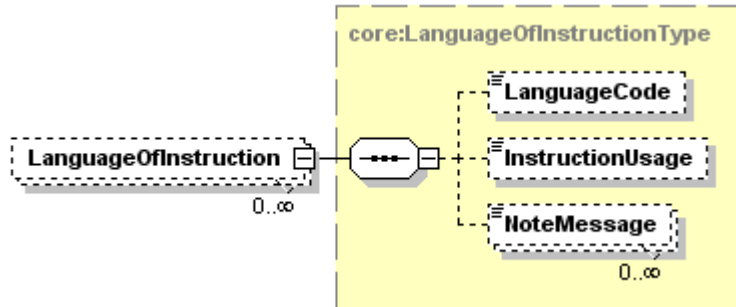
Code illustration:

```

<Licensure>
  <LicensureName>Occupational Therapy Assistant</LicensureName>
  <LicensurePassageDate>2004-05-20</LicensurePassageDate>
  <NoteMessage/>
</Licensure>

```

### Student.AcademicRecord.Course.LanguageOfInstruction



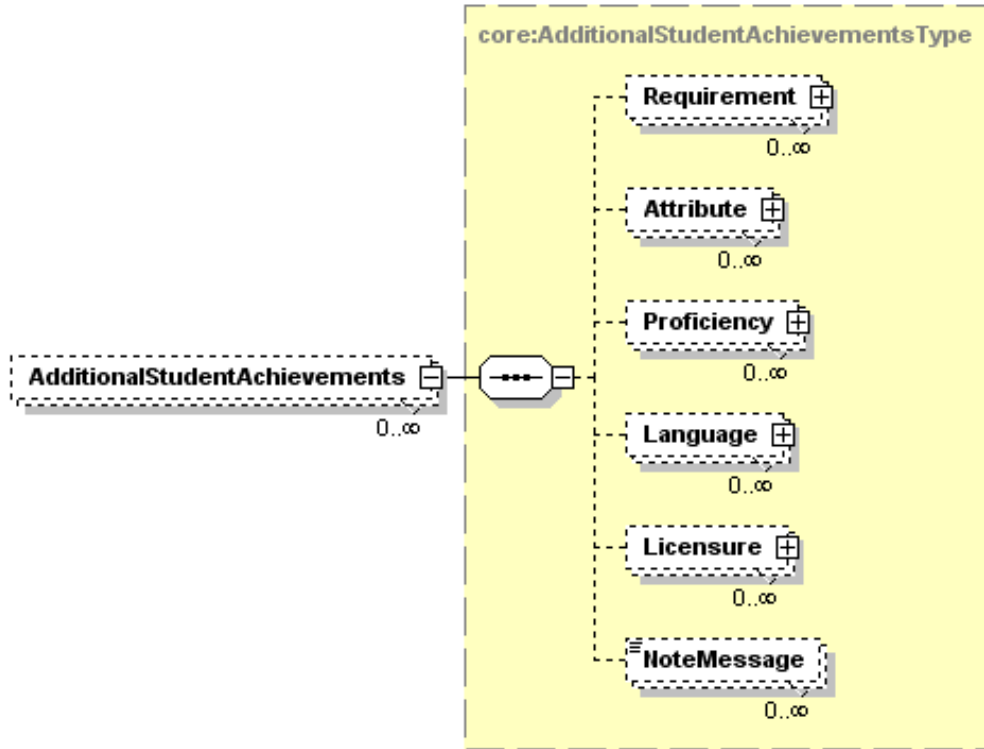
Tag Name	Schema Use	Description	Recommended Use	Format
LanguageCode	Optional	Code indicating the language being used, using ISO 639-2 code (Alpha-3) set. These codes are available at <a href="http://www.loc.gov/standards/iso639-2/">http://www.loc.gov/standards/iso639-2/</a>	Recommended	minOcc 0 maxOcc 1 minLength 3 maxLength 3 See Appendix C1 or C2
InstructionUsage	Optional	The use of the language in the context of instruction. <i>Instruction</i> - Language of Instruction Examination <i>Language of Instruction Examination</i> <i>WrittenExam</i> - Language in which Examination is written	Recommended	minOcc 0 maxOcc 1 <b>Enumerations:</b> Instruction Examination WrittenExam
NoteMessage	Optional Repeatable	Additional information about the language of instruction	Not Recommended	minOcc 0 maxOcc ∞ minLength 1 maxLength 80

**Comment:** This is an optional data element. If it is not included, it is assumed the language of instruction was English if the high school sending the record is in the United States.

Code illustration:

```
<LanguageOfInstruction>
  <LanguageCode>FRE</LanguageCode>
  <InstructionUsage>Instruction</InstructionUsage>
  <NoteMessage/>
</LanguageOfInstruction>
```

### Student.AcademicRecord.AdditionalStudentAchievements



Tag Name	Schema Use	Description	Recommended Use	Format
Requirement	Optional Repeatabe	Curriculum requirements satisfied by successful completion of the Additional Student Achievement	Optional	minOcc 0 maxOcc ∞
<b>Comment:</b> This complex data element will be expanded on page 272 which follows in this Guide.				
Attribute	Optional Repeatabe	Attributes of the Additional Student Achievement which may require special handling by the receiving institution	Optional	minOcc 0 maxOcc ∞
<b>Comment:</b> This complex data element will be expanded on page 274 which follows in this Guide.				
Proficiency	Optional Repeatabe	Proficiency level signified by successful completion of the Additional Student Achievement	Optional	minOcc 0 maxOcc ∞
<b>Comment:</b> This complex data element will be expanded on page 276 which follows in this Guide.				
Language	Optional Repeatabe	Language associated with one or more aspects of the Additional Student Achievement	Optional	minOcc 0 maxOcc ∞
<b>Comment:</b> This complex data element will be expanded on page 278 which follows in this Guide.				
Licensure	Optional Repeatabe	Licensure requirements satisfied by successful completion of the Additional Student Achievement	Optional	minOcc 0 maxOcc ∞
<b>Comment:</b> This complex data element will be expanded on page 279 which follows in this Guide.				

Tag Name	Schema Use	Description	Recommended Use	Format
NoteMessage	Optional Repeatable	Additional information about the Additional Student Achievement	Not Recommended	minOcc 0 maxOcc ∞ minLength 1 maxLength 80

**Comment:** The use of the Requirement, Attribute and Proficiency fields is normally based on previously made agreements between or among selected trading partners (usually within a state or region). For example, a specific state might have a requirement for computer competency. That state might use a requirement code of TXA, where TX is the state code and A designates the computer competency requirement. Another state might wish to identify an attribute of the student that indicates the student is the first in his or her family to attend or graduate from a high school. This attribute might be identified with a state code of IA and the attribute code of B. This attribute would be based on prior agreements among states, and it provides a great deal of flexibility to exchange previously specified data within a state or region.

## **Student.AcademicRecord.AdditionalStudentAchievements (Continued)**

Code illustration:

```

<AdditionalStudentAchievements>
  <Requirement>

  </Requirement>
  <Attribute>

  </Attribute>
  <Proficiency>

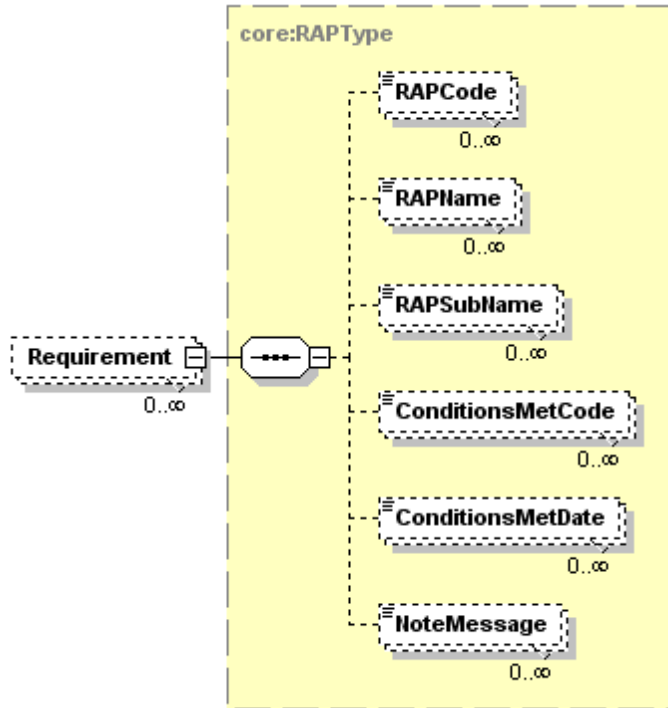
  </Proficiency>
  <Language>

  </Language>
  <Licensure>

  </Licensure>
  <NoteMessage/>
</AdditionalStudentAchievements>

```

### Student.AcademicRecord.AdditionalStudentAchievements.Requirement



Tag Name	Schema Use	Description	Recommended Use	Format
RAPCode	Optional Repeatabe	Requirement demonstrated or earned in addition to or as part of an academic award.	Recommended	minOcc 0 maxOcc ∞ minLength 1 maxLength 3
<b>Comment:</b> If this data element is to be used effectively, a code set should be created by a state or region. An example is given below in the Code Illustration. If not, then User Defined Extensions would be an alternate method of including this information.				
RAPName	Optional Repeatabe	Literal name of requirement	Recommended	minOcc 0 maxOcc ∞ minLength 1 maxLength 60
RAPSubName	Optional Repeatabe	Literal name of subsection of requirement	Optional	minOcc 0 maxOcc ∞ minLength 1 maxLength 60
ConditionsMetCode	Optional Repeatabe	Indicates whether and how conditions for the requirement have been attained.	Recommended	minOcc 0 maxOcc ∞  <b>Enumerations:</b> Yes No Conditional MutuallyDefined
ConditionsMetDate	Optional Repeatabe	Date requirement was met.	Optional	minOcc 0 maxOcc ∞  xs:date
<b>Comment:</b> The format of date is ccyy-mm-dd.				

Tag Name	Schema Use	Description	Recommended Use	Format
NoteMessage	Optional Repeatable	Additional information about the requirement	Not Recommended	minOcc 0 maxOcc ∞ minLength 1 maxLength 80

**Comment:** For example, the Requirement part of Additional Student Achievements could be used to indicate that the student has met all the requirements for admission to a specific limited access program in the state university system.

Code illustration:

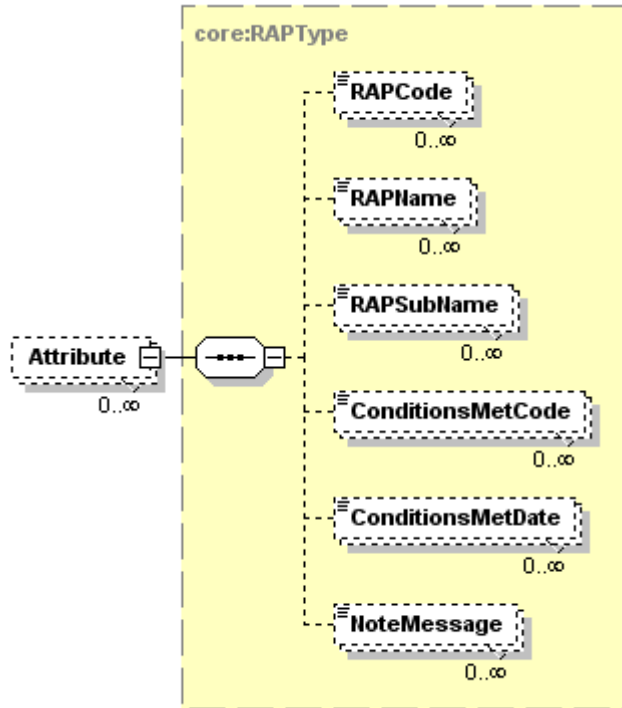
```

<Requirement>
  <RAPCode>9FL</RAPCode>
  <RAPName>FL-BS-Nursing-Admission-Rqmt</RAPName>
  <RAPSubName />
  <ConditionsMetCode>Yes</ConditionsMetCode>
  <ConditionsMetDate>2002-08-13</ConditionsMetDate>
  <NoteMessage />
</Requirement>

```



### Student.AcademicRecord.AdditionalStudentAchievements.Attribute



Tag Name	Schema Use	Description	Recommended Use	Format
RAPCode	Optional Repeatable	Attribute demonstrated or earned in addition to academic award.	Recommended	minOcc 0 maxOcc ∞ minLength 1 maxLength 3
<b>Comment:</b> If this data element is to be used effectively, a code set should be created by a state or region. An example is given below in the Code Illustration. If not, then User Defined Extensions would be an alternate method of including this information.				
RAPName	Optional Repeatable	Literal name of attribute	Recommended	minOcc 0 maxOcc ∞ minLength 1 maxLength 60
RAPSubName	Optional Repeatable	Literal name of subsection of attribute	Optional	minOcc 0 maxOcc ∞ minLength 1 maxLength 60
ConditionsMetCode	Optional Repeatable	Indicates whether and how conditions for certification have been attained.	Recommended	minOcc 0 maxOcc ∞  <b>Enumerations:</b> Yes No Conditional MutuallyDefined
ConditionsMetDate	Optional Repeatable	Date of attribute	Optional	minOcc 0 maxOcc ∞
<b>Comment:</b> The format for date is ccyymm-dd.				

Tag Name	Schema Use	Description	Recommended Use	Format
NoteMessage	Optional Repeatable	Additional information about the attribute	Not Recommended	minOcc 0 maxOcc ∞ minLength 1 maxLength 80

**Comment:** For example, the Attribute part of the Additional Student Achievements could be used to indicate that the student was the first member of his or her family to complete a high school education.

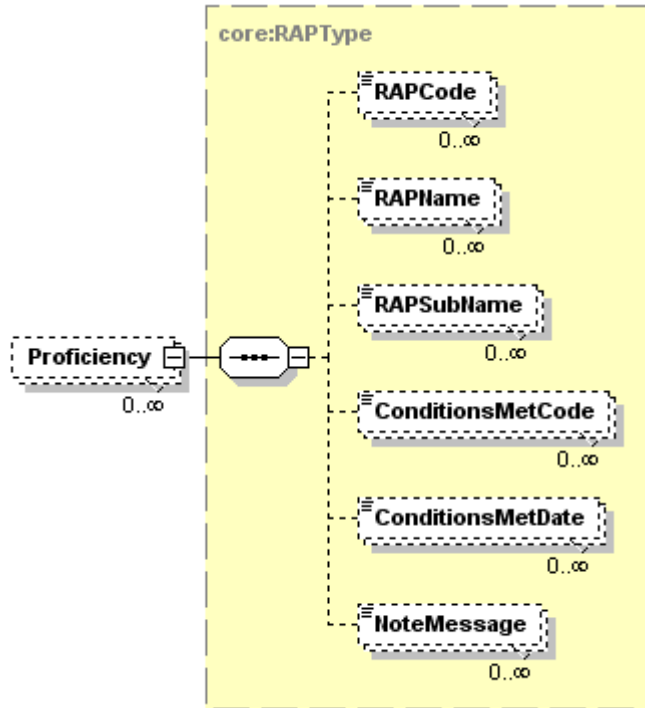
Code illustration:

```

<Attribute>
  <RAPCode>9FL</RAPCode>
  <RAPName>FirstHSGraduateInFamily</RAPName>
  <RAPSubName/>
  <ConditionsMetCode>Yes</ConditionsMetCode>
  <ConditionsMetDate>1997-03-01</ConditionsMetDate>
  <NoteMessage/>
</Attribute>

```

Student.AcademicRecord. AdditionalStudentAchievements.Proficiency



Tag Name	Schema Use	Description	Recommended Use	Format
RAPCode	Optional Repeatable	Proficiency demonstrated or earned in addition to academic award.	Recommended	minOcc 0 maxOcc ∞ minLength 1 maxLength 3
<b>Comment:</b> If this data element is to be used effectively, a code set should be created by a state or region. An example is given below in the Code Illustration. If not, then User Defined Extensions would be an alternate method of including this information.				
RAPName	Optional Repeatable	Literal name of proficiency	Recommended	minOcc 0 maxOcc ∞ minLength 1 maxLength 60
RAPSubName	Optional Repeatable	Literal name of subsection of proficiency	Optional	minOcc 0 maxOcc ∞ minLength 1 maxLength 60
ConditionsMetCode	Optional Repeatable	Indicates whether and how conditions for certification have been attained.	Recommended	minOcc 0 maxOcc ∞  <b>Enumerations:</b> Yes No Conditional MutuallyDefined
ConditionsMetDate	Optional Repeatable	Date of proficiency	Optional	minOcc 0 maxOcc ∞  xs:date
<b>Comment:</b> The format for date is ccyymm-dd.				

Tag Name	Schema Use	Description	Recommended Use	Format
NoteMessage	Optional Repeatable	Additional information about the proficiency	Not Recommended	minOcc 0 maxOcc ∞ minLength 1 maxLength 80

**Comment:** For example, the Proficiency part of the Additional Student Achievements could be used to indicate the student is proficient in a musical instrument and demonstrated this by participating in the marching band.

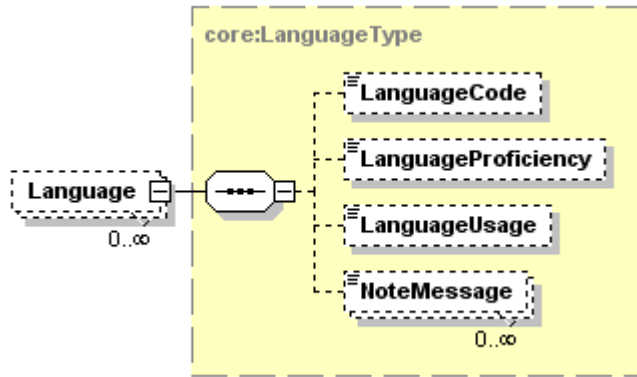
Code illustration:

```

<Proficiency>
  <RAPCode>9FL</RAPCode>
  <RAPName>Music Proficiency</RAPName>
  <RAPSubName>Trombone</RAPSubName>
  <ConditionsMetCode>Yes</ConditionsMetCode>
  <ConditionsMetDate>2004-10-23</ConditionsMetDate>
  <NoteMessage >Student played in the school marching band.</NoteMessage>
</Proficiency>

```

### Student.AcademicRecord.AdditionalStudentAchievements.Language



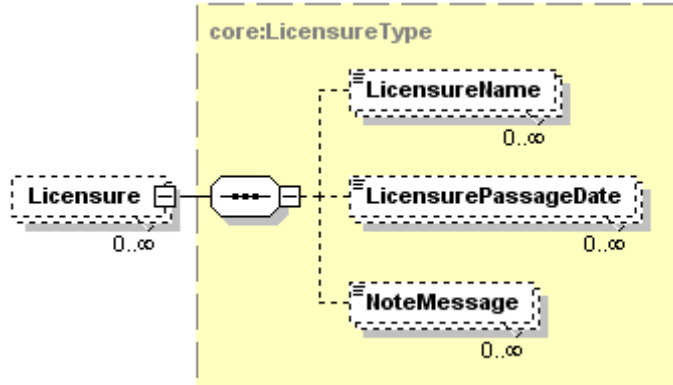
Tag Name	Schema Use	Description	Recommended Use	Format
LanguageCode	Optional	Code indicating the language being used, using ISO 639-2 code (Alpha-3) set. These codes are available at <a href="http://www.loc.gov/standards/iso639-2/">http://www.loc.gov/standards/iso639-2/</a>	Recommended	minOcc 0 maxOcc 1  See codes in Appendix C1 or C2
LanguageProficiency	Optional	Adeptness in comprehending and using the language	Recommended	minOcc 0 maxOcc 1  <b>Enumerations:</b> EnglishOnly Excellent Fair FullyEnglishProficient Good LimitedEnglishProficiency NonEnglishSpeaking Poor RedesignatedFluentEnglishPr oficient Unacceptable Unknown
LanguageUsage	Optional	Indication of person's use of the language	Recommended	minOcc 0 maxOcc 1  <b>Enumerations:</b> SpokenAtHome Reading Writing Speaking Native SpokenAtHome WrittenCommunication
NoteMessage	Optional Repeatable	Additional information about the language proficiency	Not Recommended	minOcc 0 maxOcc ∞ minLength 1 maxLength 80

**Comment:** This is the appropriate place in the Schema to indicate that a student is proficient in a language other than English.

Code illustration:

```
<Language>
  <LanguageCode>RUS</LanguageCode>
  <LanguageProficiency>Excellent</LanguageProficiency>
  <LanguageUsage>Speaking</LanguageUsage>
  <NoteMessage/>
</Language>
```

Student.AcademicRecord. AdditionalStudentAchievements.Licensure

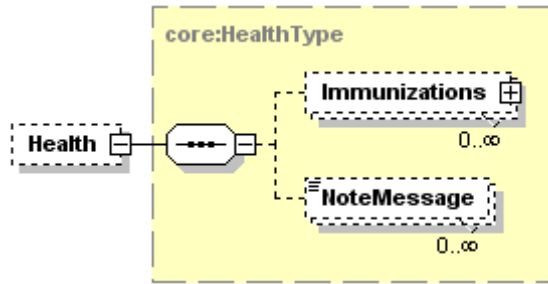


Tag Name	Schema Use	Description	Recommended Use	Format
LicensureName	Optional Repeatable	Free-form name of license or certification.	Optional	minOcc 0 maxOcc ∞ minLength 1 maxLength 60
LicensurePassageDate	Optional Repeatable	Date of licensure or certification passage	Optional	minOcc 0 maxOcc ∞ xs:date
<b>Comment:</b> The format for date is ccyy-mm-dd.				
NoteMessage	Optional Repeatable	Additional information about the licensure	Not Recommended	minOcc 0 maxOcc ∞ minLength 1 maxLength 80
<b>Comment:</b> This would be unusual to appear on a high school transcript. However, if the student has received a licensure or certification that was not directly related to a course taken at the school, this would be the place to include it. Some unusual possibilities of this might be a certification in American Sign Language, Computer Repair, Life Saving, etc.				

Code illustration:

```
<Licensure>
  <LicensureName>American Red Cross Life Saving Certification</LicensureName>
  <LicensurePassageDate>2004-05-20</LicensurePassageDate>
  <NoteMessage />
</Licensure>
```

## Student.Health



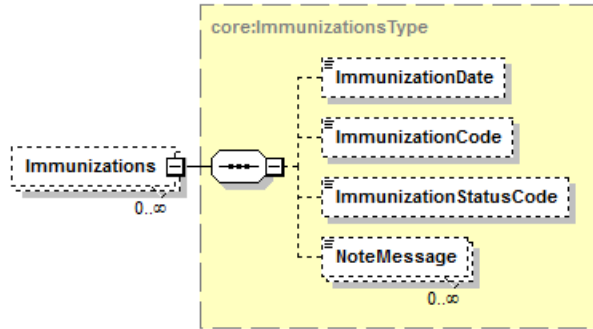
Tag Name	Schema Use	Description	Recommended Use	Format
Immunizations	Optional Repeatable	Information about immunizations	Recommended	minOcc 0 maxOcc ∞
<b>Comment:</b> This complex data element will be expanded on page 281 which follows in this Guide.				
NoteMessage	Optional Repeatable	Additional information about immunizations	Not Recommended	minOcc 0 maxOcc ∞ minLength 1 maxLength 80
<b>Comment:</b> Since many secondary schools maintain immunization records, if the data are available, the inclusion of the data might assist the receiving institution in satisfying an immunization requirement at that school.				

Code illustration:

```
<Health>
  <Immunizations>

  </Immunizations>
  <NoteMessage />
</Health>
```

### Student.Health.Immunizations



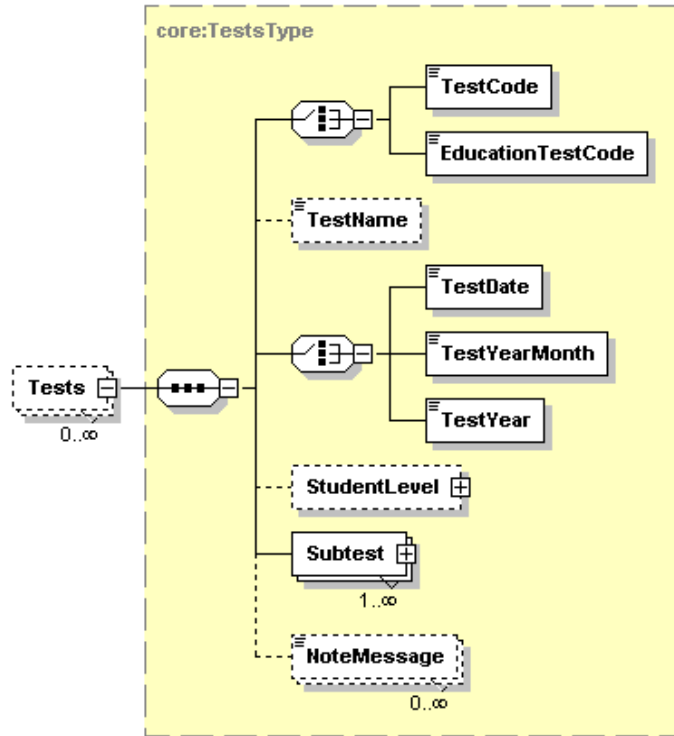
Tag Name	Schema Use	Description	Recommended Use	Format
ImmunizationDate	Optional	Date of immunization	Recommended	minOcc 0 maxOcc 1 xs:date
<b>Comment:</b> The format for date is ccyy-mm-dd.				
ImmunizationCode	Optional	Medical immunization or vaccine code from the Current Procedural Terminology (CPT) 2002 of the American Medical Association.	Recommended	minOcc 0 maxOcc 1 minLength 1 maxLength 20
ImmunizationStatusCode	Optional	Information about the number of the inoculation or the type of exemption	Recommended	minOcc 0 maxOcc 1 <b>Enumerations:</b> FirstInnoculation SecondInnoculation ThirdInnoculation FourthInnoculation FifthInnoculation SixthInnoculation SeventhInnoculation EighthInnoculation NinthInnoculation HadTheDisease MedicalExemption PersonalExemption ReligiousExemption
NoteMessage	Optional Repeatable	Additional information about the immunization	Not Recommended	minOcc 0 maxOcc ∞ minLength 1 maxLength 80

Code illustration:

```
<Immunizations>
  <ImmunizationDate>2005-04-30</ImmunizationDate>
  <ImmunizationCode>90705</ImmunizationCode>
  <ImmunizationStatusCode>ReligiousExemption</ImmunizationStatusCode>
  <NoteMessage/>
</Immunizations>
```



### Student.Tests



Tag Name	Schema Use	Description	Recommended Use	Format
<b>Comment:</b> The following two simple data elements are mandatory choices. You must choose one or the other and cannot choose both.				
TestCode	Required Choice	Code identifying the test in the older EDI version of Test Codes	Not Recommended	minOcc 1 maxOcc 1 See Appendix D
EducationTestCode	Required Choice	Code identifying the test in the newer XML version of Test Codes	Recommended	minOcc 1 maxOcc 1 See Appendix E
<b>Comment:</b> A code from one of the two code sets above must be included in the instance document.				
TestName	Optional	Name identifying the test	Recommended	minOcc 0 maxOcc 1 See Appendix D or E
<b>Comment:</b> The following three simple data elements are mandatory choices. You must choose one of the three and cannot choose more than one.				
TestDate	Required choice	Date of the test	Required (use one)	minOcc 1 maxOcc 1 xs:date with format ccyy-mm-dd
TestYearMonth	Required choice	Date of the test when only the month and year are available	Required (use one)	minOcc 1 maxOcc 1 xs:gYearMonth with format ccyy-mm
TestYear	Required choice	Date of the test when only the year is available	Required (use one)	minOcc 1 maxOcc 1 Format is ccyy

Tag Name	Schema Use	Description	Recommended Use	Format
StudentLevel	Optional	The classification of the student at the time the student took the test	Optional	minOcc 0 maxOcc 1
<b>Comment:</b> This complex data element will be expanded on page 284 which follows in this Guide.				
Subtest	Required Repeatable	Subdivision of a standardized test	Required	minOcc 1 maxOcc ∞
<b>Comment:</b> This complex data element, which includes the score, will be expanded on page 285 which follows in this Guide.				
NoteMessage	Optional Repeatable	Additional information about the test	Not Recommended	minOcc 0 maxOcc ∞ minLength 1 maxLength 80

Code illustration:

```

<Tests>
  <EducationTestCode>SAT</EducationTestCode>
  <TestName>The College Board's Scholastic Aptitude Test (SAT 1)</TestName>
  <TestYearMonth>1988-04</TestYearMonth>
  <StudentLevel>

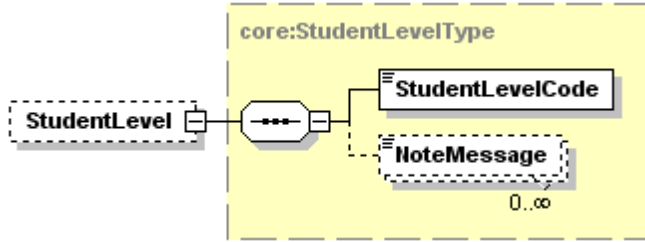
  </StudentLevel>
  <Subtest>

  </Subtest>
  <NoteMessage/>
</Tests>

```

## Student.Tests.StudentLevel

**Note:** Although the complex data element *StudentLevel* is an optional data element, if you choose to send the *StudentLevel* for the test, then you must send the *StudentLevelCode*.

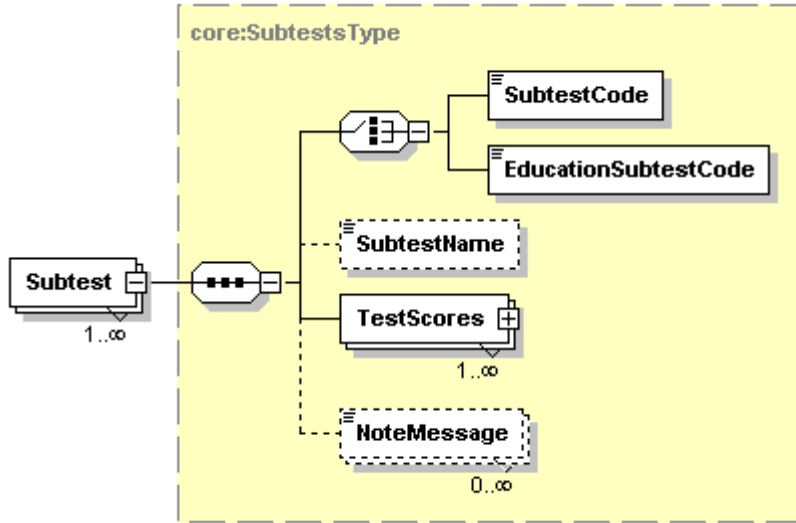


Tag Name	Schema Use	Description	Recommended Use	Format
StudentLevelCode	Required	The classification of the student at the time the student took the test	Required	minOcc 1 maxOcc 1  <b>Enumerations:</b> SeventhGrade EighthGrade NinthGrade TenthGrade EleventhGrade TwelfthGrade Grade13 Ungraded NonDegree NoFormalSchool
NoteMessage	Optional Repeatable	Additional information about the student level	Not Recommended	minOcc 0 maxOcc ∞ minLength 1 maxLength 80

Code illustration:

```
<StudentLevel>
  <StudentLevelCode>NinthGrade</StudentLevelCode>
  <NoteMessage />
</StudentLevel>
```

### Student.Tests.Subtest



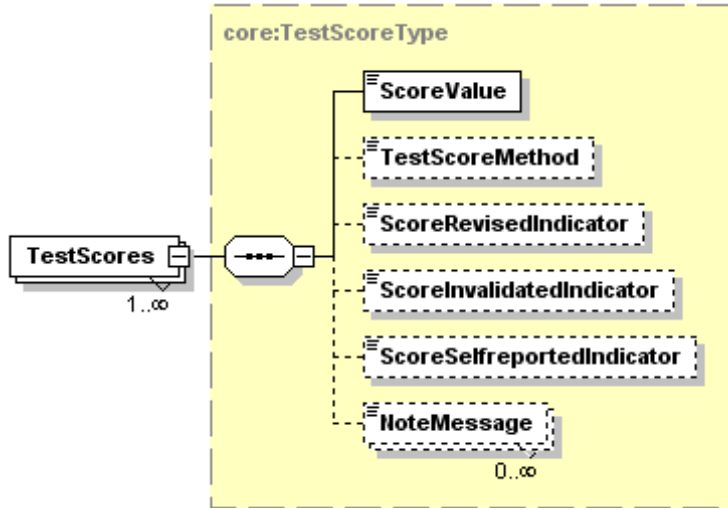
Tag Name	Schema Use	Description	Recommended Use	Format
<b>Comment:</b> The following two simple data elements are mandatory choice elements. You must include one of the two and cannot send more than one.				
SubtestCode	Required Choice	Code identifying the sub-part of a standardized test (e.g. Quantitative, Verbal). These codes are the older codes originally included in the EDI transaction sets. They are tied to each individual test. If you send a test code from Appendix D, you must send a subtest code from Appendix F.	Not Recommended	minOcc 1 maxOcc 1 See Appendix F
EducationSubtestCode	Required Choice	Code identifying the sub-part of a standardized test (e.g. Quantitative, Verbal). These codes are the newer codes used in the XML Education Test Score Reporting and the Application for Admission schemas. They are tied to each individual test. If you send a test code from Appendix E, you must send a subtest code from Appendix G.	Recommended	minOcc 1 maxOcc 1 See Appendix G
SubtestName	Optional	Name of the sub-part of a standardized test	Recommended	minOcc 0 maxOcc 1 See Appendix F or G
TestScores	Required Repeatable	The score received on the test	Required	minOcc 1 maxOcc ∞
<b>Comment:</b> This complex data element will be expanded on page 287 which follows in this Guide.				
NoteMessage	Optional Repeatable	Additional information about the subtest	Not Recommended	minOcc 0 maxOcc ∞ minLength 1 maxLength 80

## Student.Tests.Subtest (Continued)

Code illustration:

```
<Subtest>  
  <EducationSubtestCode>00001</EducationSubtestCode>  
  <SubtestName>Verbal</SubtestName>  
  <TestScores>  
  
    </TestScores>  
  <NoteMessage/>  
</Subtest>
```

### Student.Tests.Subtest.TestScores



Tag Name	Schema Use	Description	Recommended Use	Format
ScoreValue	Required	The actual value of the score received on the test	Required	minOcc 1 maxOcc 1 minLength 1 maxLength 80
TestScoreMethod	Optional	Code identifying the method used to measure and report the test scores. <i>Scaled</i> - Scaled Score <i>Graded</i> - Grade Equivalent or Grade Level Indicator <i>Standard</i> - Standard Score <i>Raw</i> - Raw Score <i>Percent</i> - Percent of Items Correct <i>Mastery</i> - Mastery Score <i>Adjective</i> - Adjective Classification or locally Defined Score <i>Stanine</i> - Stanine <i>Percentile</i> - Percentile <i>NormalCurve</i> - Normal Curve Equivalent <i>Equated</i> - Equated Score (pre-test and post-test were different) <i>Local</i> - Locally Defined	Optional	minOcc 0 maxOcc 1  <b>Enumerations:</b> Scaled Graded Standard Raw Percent Mastery Adjective Stanine Percentile NormalCurve Equated Local
ScoreRevisedIndicator	Optional	Indicates if the score report has been revised. If true, score may differ from score previously reported for this test and test date.	Optional	minOcc 0 maxOcc 1  true false
<b>Comment:</b> If this is a revision of a previous score report, then include the data element with a value of "true". If it is not a revised score report, do not include this data element.				
ScoreInvalidatedIndicator	Optional	Indicates if the score has been invalidated. If true, score previously reported for this test and test date is not valid.	Optional	minOcc 0 maxOcc 1  true false
<b>Comment:</b> If this score report is reporting that the test score has been invalidated, then include the data element with a value of "true". If not, then do not include this data element.				

Tag Name	Schema Use	Description	Recommended Use	Format
ScoreSelfreportedIndicator	Optional	Indicates if the score has been self-reported by the student.	Optional	minOcc 0 maxOcc 1  true false
<b>Comment:</b> If this is a score report that was self reported by the student, then include the data element with a value of "true". If not, then do not include this data element.				
NoteMessage	Optional Repeatable	Additional information about the test score	Not Recommended	minOcc 0 maxOcc ∞ minLength 1 maxLength 80

Code illustration:

```

<TestScores>
  <ScoreValue>25</ScoreValue>
  <TestScoreMethod>Scaled</TestScoreMethod>
  <ScoreRevisedIndicator>true</ScoreRevisedIndicator>
  <ScoreInvalidatedIndicator/>
  <ScoreSelfreportedIndicator/>
  <NoteMessage/>
</TestScores>

```

**End of PESC XML High School Transcript Version 1.3.0 Schema**

<b>Appendix A</b> <b>State and Province Codes</b> <b>Sorted by State and Province Codes</b>	
<b>State and Province Code</b>	<b>State and Province Name</b>
AA	Military – Americas
AB	Alberta
AE	Military – Europe
AK	Alaska
AL	Alabama
AP	Military – Pacific
AR	Arkansas
AS	American Samoa
AZ	Arizona
BC	British Columbia
CA	California
CO	Colorado
CT	Connecticut
CZ	Canal Zone
DC	District of Columbia
DE	Delaware
FL	Florida
FM	Federated States of Micronesia
GA	Georgia
GU	Guam
HI	Hawaii
IA	Iowa
ID	Idaho
IL	Illinois
IN	Indiana
KS	Kansas
KY	Kentucky
LA	Louisiana
MA	Massachusetts
MB	Manitoba
MD	Maryland
ME	Maine
MH	Marshall Islands
MI	Michigan
MN	Minnesota
MO	Missouri
MP	Northern Mariana Islands
MS	Mississippi
MT	Montana



<b>Appendix A</b> <b>State and Province Codes</b> <b>Sorted by State and Province Codes</b>	
<b>State and Province Code</b>	<b>State and Province Name</b>
NB	New Brunswick
NC	North Carolina
ND	North Dakota
NE	Nebraska
NF	Newfoundland
NH	New Hampshire
NJ	New Jersey
NL	Newfoundland and Labrador
NM	New Mexico
NS	Nova Scotia
NT	Northwest Territories
NU	Nunavut
NV	Nevada
NY	New York
OH	Ohio
OK	Oklahoma
ON	Ontario
OR	Oregon
PA	Pennsylvania
PE	Prince Edward Island
PR	Puerto Rico
PW	Republic of Palau
QC	Quebec
RI	Rhode Island
SC	South Carolina
SD	South Dakota
SK	Saskatchewan
TN	Tennessee
TX	Texas
UT	Utah
VA	Virginia
VI	Virgin Islands
VT	Vermont
WA	Washington
WI	Wisconsin
WV	West Virginia
WY	Wyoming
YT	Yukon

**Appendix B1**  
**Country Codes**  
**ISO 3166-1 Alpha-2 Standard (as of April 2007)**  
**Not to be used for US SEVIS Purposes**  
**Sorted by Code**

<b>CountryCode</b>	<b>Description</b>
--------------------	--------------------

AD	Andorra
AE	United Arab Emirates
AF	Afghanistan
AG	Antigua And Barbuda
AI	Anguilla
AL	Albania
AM	Armenia
AN	Netherlands Antilles
AO	Angola
AQ	Antarctica
AR	Argentina
AS	American Samoa
AT	Austria
AU	Australia
AW	Aruba
AX	Åland Islands
AZ	Azerbaijan
BA	Bosnia And Herzegovina
BB	Barbados
BD	Bangladesh
BE	Belgium
BF	Burkina Faso
BG	Bulgaria
BH	Bahrain
BI	Burundi
BJ	Benin
BM	Bermuda
BN	Brunei Darussalam
BO	Bolivia
BR	Brazil
BS	Bahamas
BT	Bhutan
BV	Bouvet Island
BW	Botswana
BY	Belarus
BZ	Belize
CA	Canada
CC	Cocos (Keeling) Islands

**Appendix B1  
Country Codes**

**ISO 3166-1 Alpha-2 Standard (as of April 2007)**

**Not to be used for US SEVIS Purposes**

**Sorted by Code**

**CountryCode**

**Description**

CD	Congo, The Democratic Republic Of The
CF	Central African Republic
CG	Congo
CH	Switzerland
CI	Cote D'ivoire
CK	Cook Islands
CL	Chile
CM	Cameroon
CN	China
CO	Colombia
CR	Costa Rica
CS	Serbia And Montenegro (Deleted as of April 2007 – see ME and RS) *
CU	Cuba
CV	Cape Verde
CX	Christmas Island
CY	Cyprus
CZ	Czech Republic
DE	Germany
DJ	Djibouti
DK	Denmark
DM	Dominica
DO	Dominican Republic
DZ	Algeria
EC	Ecuador
EE	Estonia
EG	Egypt
EH	Western Sahara
ER	Eritrea
ES	Spain
ET	Ethiopia
FI	Finland
FJ	Fiji
FK	Falkland Islands (Malvinas)
FM	Micronesia, Federated States Of
FO	Faroe Islands
FR	France
GA	Gabon
GB	United Kingdom
GD	Grenada

**Appendix B1  
Country Codes**

**ISO 3166-1 Alpha-2 Standard (as of April 2007)**

**Not to be used for US SEVIS Purposes**

**Sorted by Code**

<b>CountryCode</b>	<b>Description</b>
--------------------	--------------------

GE	Georgia
GF	French Guiana
GG	Guernsey *
GH	Ghana
GI	Gibraltar
GL	Greenland
GM	Gambia
GN	Guinea
GP	Guadeloupe
GQ	Equatorial Guinea
GR	Greece
GS	South Georgia And The South Sandwich Islands
GT	Guatemala
GU	Guam
GW	Guinea Bissau
GY	Guyana
HK	Hong Kong
HM	Heard Island And Mcdonald Islands
HN	Honduras
HR	Croatia
HT	Haiti
HU	Hungary
ID	Indonesia
IE	Ireland
IL	Israel
IM	Isle of Man *
IN	India
IO	British Indian Ocean Territory
IQ	Iraq
IR	Iran, Islamic Republic Of
IS	Iceland
IT	Italy
JE	Jersey *
JM	Jamaica
JO	Jordan
JP	Japan
KE	Kenya
KG	Kyrgyzstan
KH	Cambodia

**Appendix B1  
Country Codes**

**ISO 3166-1 Alpha-2 Standard (as of April 2007)**

**Not to be used for US SEVIS Purposes**

**Sorted by Code**

<b>CountryCode</b>	<b>Description</b>
KI	Kiribati
KM	Comoros
KN	Saint Kitts And Nevis
KP	Korea, Democratic People's Republic Of
KR	Korea, Republic Of
KW	Kuwait
KY	Cayman Islands
KZ	Kazakhstan
LA	Lao People's Democratic Republic
LB	Lebanon
LC	Saint Lucia
LI	Liechtenstein
LK	Sri Lanka
LR	Liberia
LS	Lesotho
LT	Lithuania
LU	Luxembourg
LV	Latvia
LY	Libyan Arab Jamahiriya
MA	Morocco
MC	Monaco
MD	Moldova, Republic Of
ME	Montenegro *
MG	Madagascar
MH	Marshall Islands
MK	Macedonia, The Former Yugoslav Republic Of
ML	Mali
MM	Myanmar
MN	Mongolia
MO	Macao
MP	Northern Mariana Islands
MQ	Martinique
MR	Mauritania
MS	Montserrat
MT	Malta
MU	Mauritius
MV	Maldives
MW	Malawi
MX	Mexico

**Appendix B1  
Country Codes**

**ISO 3166-1 Alpha-2 Standard (as of April 2007)**

**Not to be used for US SEVIS Purposes**

**Sorted by Code**

**CountryCode Description**

MY	Malaysia
MZ	Mozambique
NA	Namibia
NC	New Caledonia
NE	Niger
NF	Norfolk Island
NG	Nigeria
NI	Nicaragua
NL	Netherlands
NO	Norway
NP	Nepal
NR	Nauru
NU	Niue
NZ	New Zealand
OM	Oman
PA	Panama
PE	Peru
PF	French Polynesia
PG	Papua New Guinea
PH	Philippines
PK	Pakistan
PL	Poland
PM	Saint Pierre And Miquelon
PN	Pitcairn
PR	Puerto Rico
PS	Palestinian Territory, Occupied
PT	Portugal
PW	Palau
PY	Paraguay
QA	Qatar
RE	Reunion
RO	Romania
RS	Serbia *
RU	Russian Federation
RW	Rwanda
SA	Saudi Arabia
SB	Solomon Islands
SC	Seychelles
SD	Sudan

**Appendix B1  
Country Codes**

**ISO 3166-1 Alpha-2 Standard (as of April 2007)**

**Not to be used for US SEVIS Purposes**

**Sorted by Code**

**CountryCode Description**

SE	Sweden
SG	Singapore
SH	Saint Helena
SI	Slovenia
SJ	Svalbard And Jan Mayen
SK	Slovakia
SL	Sierra Leone
SM	San Marino
SN	Senegal
SO	Somalia
SR	Suriname
ST	Sao Tome And Principe
SV	El Salvador
SY	Syrian Arab Republic
SZ	Swaziland
TC	Turks And Caicos Islands
TD	Chad
TF	French Southern Territories
TG	Togo
TH	Thailand
TJ	Tajikistan
TK	Tokelau
TL	Timor Leste
TM	Turkmenistan
TN	Tunisia
TO	Tonga
TR	Turkey
TT	Trinidad And Tobago
TV	Tuvalu
TW	Taiwan, Province Of China
TZ	Tanzania, United Republic Of
UA	Ukraine
UG	Uganda
UM	United States Minor Outlying Islands
US	United States
UY	Uruguay
UZ	Uzbekistan
VA	Holy See (Vatican City State)
VC	Saint Vincent And The Grenadines

**Appendix B1  
Country Codes**

**ISO 3166-1 Alpha-2 Standard (as of April 2007)**

**Not to be used for US SEVIS Purposes**

**Sorted by Code**

<b>CountryCode</b>	<b>Description</b>
VE	Venezuela
VG	Virgin Islands, British
VI	Virgin Islands, U.S.
VN	Viet Nam
VU	Vanuatu
WF	Wallis And Futuna
WS	Samoa
YE	Yemen
YT	Mayotte
ZA	South Africa
ZM	Zambia
ZW	Zimbabwe



\* Updated as of April 2007

**Appendix B2  
Country Codes**

**ISO 3166-1 Alpha-2 Standard (as of April 2007)**

**Not to be used for US SEVIS Purposes**

**Sorted by Country Name**

**CountryCode Description**

AD	Andorra
AF	Afghanistan
AX	Åland Islands
AL	Albania
DZ	Algeria
AS	American Samoa
AO	Angola
AI	Anguilla
AQ	Antarctica
AG	Antigua And Barbuda
AR	Argentina
AM	Armenia
AW	Aruba
AU	Australia
AT	Austria
AZ	Azerbaijan
BS	Bahamas
BH	Bahrain
BD	Bangladesh
BB	Barbados
BY	Belarus
BE	Belgium
BZ	Belize
BJ	Benin
BM	Bermuda
BT	Bhutan
BO	Bolivia
BA	Bosnia And Herzegovina
BW	Botswana
BV	Bouvet Island
BR	Brazil
IO	British Indian Ocean Territory
BN	Brunei Darussalam
BG	Bulgaria
BF	Burkina Faso
BI	Burundi
KH	Cambodia
CM	Cameroon
CA	Canada

**Appendix B2**  
**Country Codes**

**ISO 3166-1 Alpha-2 Standard (as of April 2007)**

**Not to be used for US SEVIS Purposes**

**Sorted by Country Name**

<b>CountryCode</b>	<b>Description</b>
--------------------	--------------------

CV	Cape Verde
KY	Cayman Islands
CF	Central African Republic
TD	Chad
CL	Chile
CN	China
CX	Christmas Island
CC	Cocos (Keeling) Islands
CO	Colombia
KM	Comoros
CG	Congo
CD	Congo, The Democratic Republic Of The
CK	Cook Islands
CR	Costa Rica
CI	Cote D'ivoire
HR	Croatia
CU	Cuba
CY	Cyprus
CZ	Czech Republic
DK	Denmark
DJ	Djibouti
DM	Dominica
DO	Dominican Republic
EC	Ecuador
EG	Egypt
SV	El Salvador
GQ	Equatorial Guinea
ER	Eritrea
EE	Estonia
ET	Ethiopia
FK	Falkland Islands (Malvinas)
FO	Faroe Islands
FJ	Fiji
FI	Finland
FR	France
GF	French Guiana
PF	French Polynesia
TF	French Southern Territories
GA	Gabon
GM	Gambia
GE	Georgia

**Appendix B2**  
**Country Codes**

**ISO 3166-1 Alpha-2 Standard (as of April 2007)**

**Not to be used for US SEVIS Purposes**

**Sorted by Country Name**

<b>CountryCode</b>	<b>Description</b>
--------------------	--------------------

DE	Germany
GH	Ghana
GI	Gibraltar
GR	Greece
GL	Greenland
GD	Grenada
GP	Guadeloupe
GU	Guam
GT	Guatemala
GG	Guernsey *
GN	Guinea
GW	Guinea Bissau
GY	Guyana
HT	Haiti
HM	Heard Island And Mcdonald Islands
VA	Holy See (Vatican City State)
HN	Honduras
HK	Hong Kong
HU	Hungary
IS	Iceland
IN	India
ID	Indonesia
IR	Iran, Islamic Republic Of
IQ	Iraq
IE	Ireland
IM	Isle of Man *
IL	Israel
IT	Italy
JM	Jamaica
JP	Japan
JE	Jersey *
JO	Jordan
KZ	Kazakhstan
KE	Kenya
KI	Kiribati
KP	Korea, Democratic People's Republic Of
KR	Korea, Republic Of
KW	Kuwait
KG	Kyrgyzstan
LA	Lao People's Democratic Republic
LV	Latvia

**Appendix B2  
Country Codes**

**ISO 3166-1 Alpha-2 Standard (as of April 2007)**

**Not to be used for US SEVIS Purposes**

**Sorted by Country Name**

<b>CountryCode</b>	<b>Description</b>
--------------------	--------------------

LB	Lebanon
LS	Lesotho
LR	Liberia
LY	Libyan Arab Jamahiriya
LI	Liechtenstein
LT	Lithuania
LU	Luxembourg
MO	Macao
MK	Macedonia, The Former Yugoslav Republic Of
MG	Madagascar
MW	Malawi
MY	Malaysia
MV	Maldives
ML	Mali
MT	Malta
MH	Marshall Islands
MQ	Martinique
MR	Mauritania
MU	Mauritius
YT	Mayotte
MX	Mexico
FM	Micronesia, Federated States Of
MD	Moldova, Republic Of
MC	Monaco
MN	Mongolia
ME	Montenegro *
MS	Montserrat
MA	Morocco
MZ	Mozambique
MM	Myanmar
NA	Namibia
NR	Nauru
NP	Nepal
NL	Netherlands
AN	Netherlands Antilles
NC	New Caledonia
NZ	New Zealand
NI	Nicaragua
NE	Niger
NG	Nigeria
NU	Niue

**Appendix B2**  
**Country Codes**

**ISO 3166-1 Alpha-2 Standard (as of April 2007)**

**Not to be used for US SEVIS Purposes**

**Sorted by Country Name**

<b>CountryCode</b>	<b>Description</b>
NF	Norfolk Island
MP	Northern Mariana Islands
NO	Norway
OM	Oman
PK	Pakistan
PW	Palau
PS	Palestinian Territory, Occupied
PA	Panama
PG	Papua New Guinea
PY	Paraguay
PE	Peru
PH	Philippines
PN	Pitcairn
PL	Poland
PT	Portugal
PR	Puerto Rico
QA	Qatar
RE	Reunion
RO	Romania
RU	Russian Federation
RW	Rwanda
SH	Saint Helena
KN	Saint Kitts And Nevis
LC	Saint Lucia
PM	Saint Pierre And Miquelon
VC	Saint Vincent And The Grenadines
WS	Samoa
SM	San Marino
ST	Sao Tome And Principe
SA	Saudi Arabia
SN	Senegal
RS	Serbia *
CS	Serbia And Montenegro (Deleted as of April 2007 – see ME and RS) *
SC	Seychelles
SL	Sierra Leone
SG	Singapore
SK	Slovakia
SI	Slovenia
SB	Solomon Islands
SO	Somalia
ZA	South Africa

**Appendix B2**  
**Country Codes**

**ISO 3166-1 Alpha-2 Standard (as of April 2007)**

**Not to be used for US SEVIS Purposes**

**Sorted by Country Name**

<b>CountryCode</b>	<b>Description</b>
--------------------	--------------------

GS	South Georgia And The South Sandwich Islands
ES	Spain
LK	Sri Lanka
SD	Sudan
SR	Suriname
SJ	Svalbard And Jan Mayen
SZ	Swaziland
SE	Sweden
CH	Switzerland
SY	Syrian Arab Republic
TW	Taiwan, Province Of China
TJ	Tajikistan
TZ	Tanzania, United Republic Of
TH	Thailand
TL	Timor Leste
TG	Togo
TK	Tokelau
TO	Tonga
TT	Trinidad And Tobago
TN	Tunisia
TR	Turkey
TM	Turkmenistan
TC	Turks And Caicos Islands
TV	Tuvalu
UG	Uganda
UA	Ukraine
AE	United Arab Emirates
GB	United Kingdom
US	United States
UM	United States Minor Outlying Islands
UY	Uruguay
UZ	Uzbekistan
VU	Vanuatu
VE	Venezuela
VN	Viet Nam
VG	Virgin Islands, British
VI	Virgin Islands, U.S.
WF	Wallis And Futuna
EH	Western Sahara
YE	Yemen
ZM	Zambia

**Appendix B2**

**Country Codes**

**ISO 3166-1 Alpha-2 Standard (as of April 2007)**

**Not to be used for US SEVIS Purposes**

**Sorted by Country Name**

<b>CountryCode</b>	<b>Description</b>
--------------------	--------------------

ZW	Zimbabwe
----	----------

\* Updated as of April 2007

<b>Appendix C1: ISO 639-2 Language Codes</b> <a href="http://www.loc.gov/standards/iso639-2/php/code_list.php">http://www.loc.gov/standards/iso639-2/php/code_list.php</a> <b>Sorted by Language Code</b>	
Language Code	Description
AAR	Afar
ABK	Abkhazian
ACE	Achinese
ACH	Acoli
ADA	Adangme
ADY	Adyghe; Adygei
AFA	Afro-Asiatic (Other)
AFH	Afrihili
AFR	Afrikaans
AIN	Ainu
AKA	Akan
AKK	Akkadian
ALB	Albanian
ALE	Aleut
ALG	Algonquian Languages
ALT	Southern Altai
AMH	Amharic
ANG	English, Old (ca. 450-1100)
ANP	Angika
APA	Apache Languages
ARA	Arabic
ARC	Aramaic (700-300 BCE); Imperial Aramaic (700-300 BCE)
ARG	Aragonese
ARM	Armenian
ARN	Mapudungun; Mapuche
ARP	Arapaho
ART	Artificial (Other)
ARW	Arawak
ASM	Assamese
AST	Asturian; Bable
ATH	Athapascan Languages
AUS	Australian Languages



<b>Appendix C1: ISO 639-2 Language Codes</b> <a href="http://www.loc.gov/standards/iso639-2/php/code_list.php">http://www.loc.gov/standards/iso639-2/php/code_list.php</a> <b>Sorted by Language Code</b>	
<b>Language Code</b>	<b>Description</b>
AVA	Avaric
AVE	Avestan
AWA	Awadhi
AYM	Aymara
AZE	Azerbaijani
BAD	Banda Languages
BAI	Bamileke Languages
BAM	Bambara
BAN	Balinese
BAQ	Basque
BAS	Basa
BAT	Baltic (Other)
BEJ	Beja
BEL	Belarusian
BEM	Bemba
BEN	Bengali
BER	Berber (Other)
BHO	Bhojpuri
BIH	Bihari
BIK	Bikol
BIN	Bini; Edo
BIS	Bislama
BLA	Siksika
BNT	Bantu (Other)
BOD	Tibetan
BOS	Bosnian
BRA	BRAJ
BRE	Breton
BTK	Batak Languages
BUA	Buriat
BUG	Buginese
BUL	Bulgarian

<b>Appendix C1: ISO 639-2 Language Codes</b> <a href="http://www.loc.gov/standards/iso639-2/php/code_list.php">http://www.loc.gov/standards/iso639-2/php/code_list.php</a> <b>Sorted by Language Code</b>	
<b>Language Code</b>	<b>Description</b>
BYN	Bilin; Blin
CAD	Caddo
CAI	Central American Indian (Other)
CAR	Galibi Carib
CAT	Catalan; Valencian
CAU	Caucasian (Other)
CEB	Cebuano
CEL	Celtic (Other)
CES	Czech
CHA	Chamorro
CHB	Chibcha
CHE	Chechen
CHG	Chagatai
CHI	Chinese
CHK	Chuukese
CHM	Mari
CHN	Chinook Jargon
CHO	Choctaw
CHP	Chipewyan
CHR	Cherokee
CHU	Church Slavic; Old Slavonic; Church Slavonic; Old Bulgarian; Old Church Slavonic
CHV	Chuvash
CHY	Cheyenne
CMC	Chamic Languages
COP	Coptic
COR	Cornish
COS	Corsican
CPE	Creoles and Pidgins, English Based (Other)
CPF	Creoles and Pidgins, French Based (Other)
CPP	Creoles and Pidgins, Portuguese Based (Other)
CRE	Cree
CRH	Crimean Tatar; Crimean Turkish

<b>Appendix C1: ISO 639-2 Language Codes</b> <a href="http://www.loc.gov/standards/iso639-2/php/code_list.php">http://www.loc.gov/standards/iso639-2/php/code_list.php</a> <b>Sorted by Language Code</b>	
<b>Language Code</b>	<b>Description</b>
CRP	Creoles and Pidgins (Other)
CSB	Kashubian
CUS	Cushitic (Other)
CYM	Welsh
CZE	Czech
DAK	Dakota
DAN	Danish
DAR	Dargwa
DAY	Dayak (Land) Languages
DEL	Delaware
DEN	Slave (Athapascan)
DEU	German
DGR	Dogrib
DIN	Dinka
DIV	Divehi; Dhivehi; Maldivian
DOI	Dogri
DRA	Dravidian (Other)
DSB	Lower Sorbian
DUA	Duala
DUM	Dutch, Middle (ca. 1050–1350)
DUT	Dutch; Flemish
DYU	Dyula
DZO	Dzongkha
EFI	Efik
EGY	Egyptian (Ancient)
EKA	Ekajuk
ELL	Greek, Modern (1453-)
ELX	Elamite
ENG	English
ENM	English, Middle (1100-1500)
EPO	Esperanto
EST	Estonian

<b>Appendix C1: ISO 639-2 Language Codes</b> <a href="http://www.loc.gov/standards/iso639-2/php/code_list.php">http://www.loc.gov/standards/iso639-2/php/code_list.php</a> <b>Sorted by Language Code</b>	
<b>Language Code</b>	<b>Description</b>
EUS	Basque
EWE	Ewe
EWO	Ewondo
FAN	Fang
FAO	Faroese
FAS	Persian
FAT	Fanti
FIJ	Fijian
FIL	Filipino; Pilipino
FIN	Finnish
FIU	Finno-Ugrian (Other)
FON	Fon
FRA	French
FRE	French
FRM	French, Middle (ca. 1400-1600)
FRO	French, Old (842-ca. 1400)
FRR	Frisian, Northern
FRS	Frisian, Eastern
FRY	Frisian, Western
FUL	Fulah
FUR	Friulian
GAA	Ga
GAY	Gayo
GBA	Gbaya
GEM	Germanic (Other)
GEO	Georgian
GER	German
GEZ	Geez
GIL	Gilbertese
GLA	Gaelic; Scottish Gaelic
GLE	Irish
GLG	Galician

<b>Appendix C1: ISO 639-2 Language Codes</b> <a href="http://www.loc.gov/standards/iso639-2/php/code_list.php">http://www.loc.gov/standards/iso639-2/php/code_list.php</a> <b>Sorted by Language Code</b>	
<b>Language Code</b>	<b>Description</b>
GLV	Manx
GMH	German, Middle High (ca.1050-1500)
GOH	German, Old High (ca. 750-1050)
GON	Gondi
GOR	Gorontalo
GOT	Gothic
GRB	Grebo
GRC	Greek, Ancient (to 1453)
GRE	Greek, Modern (1453-)
GRN	Guarani
GSW	Swiss German, Alemannic
GUJ	Gujarati
GWI	Gwich'in
HAI	Haida
HAT	Taitian; Haitian Creole
HAU	Hausa
HAW	Hawaiian
HEB	Hebrew
HER	Herero
HIL	Hiligaynon
HIM	Himigaynon
HIN	Hindi
HIT	Hittite
HMN	Hmong
HMO	Hiri Motu
HRV	Croatian
HSB	Sorbian (Upper)
HUN	Hungarian
HUP	Hupa
HYE	Armenian
IBA	Iban
IBO	Igbo

<b>Appendix C1: ISO 639-2 Language Codes</b> <a href="http://www.loc.gov/standards/iso639-2/php/code_list.php">http://www.loc.gov/standards/iso639-2/php/code_list.php</a> <b>Sorted by Language Code</b>	
<b>Language Code</b>	<b>Description</b>
ICE	Icelandic
IDO	Ido
III	Sichuan Yi
IJO	Ijo Languages
IKU	Inuktitut
ILE	Interlingue
ILO	Iloko
INA	Interlingua (International Auxiliary Language Association)
INC	Indic (Other)
IND	Indonesian
INE	Indo-European (Other)
INH	Ingush
IPK	Inupiaq
IRA	Iranian (Other)
IRO	Iroquoian Languages
ISL	Icelandic
ITA	Italian
JAV	Javanese
JBO	Lojban
JPN	Japanese
JPR	Judeo-Persian
JRB	Judeo-Arabic
KAA	Kara-Kalpak
KAB	Kabyle
KAC	Kachin; Jingpho
KAL	Greenlandic; Kalaallisut
KAM	Kamba
KAN	Kannada
KAR	Karen Languages
KAS	Kashmiri
KAT	Georgian
KAU	Kanuri

<b>Appendix C1: ISO 639-2 Language Codes</b> <a href="http://www.loc.gov/standards/iso639-2/php/code_list.php">http://www.loc.gov/standards/iso639-2/php/code_list.php</a> <b>Sorted by Language Code</b>	
<b>Language Code</b>	<b>Description</b>
KAW	Kawi
KAZ	Kazakh
KBD	Kabardian
KHA	Khasi
KHI	Khoisan (Other)
KHM	Khmer (Central)
KHO	Khotanese
KIK	Kikuyu; Gikuyu
KIN	Kinyarwanda
KIR	Kirghiz; Kyrgyz
KMB	Kimbundu
KOK	Konkani
KOM	Komi
KON	Kongo
KOR	Korean
KOS	Kosraean
KPE	Kpelle
KRC	Karachay-Balkar
KRL	Karelian
KRO	Kru Languages
KRU	Kurukh
KUA	Kuanyama; Kwanyama
KUM	Kumyk
KUR	Kurdish
KUT	Kutenai
LAD	Ladino
LAH	Lahnda
LAM	Lamba
LAO	Lao
LAT	Latin
LAV	Latvian
LEZ	Lezghian

<b>Appendix C1: ISO 639-2 Language Codes</b> <a href="http://www.loc.gov/standards/iso639-2/php/code_list.php">http://www.loc.gov/standards/iso639-2/php/code_list.php</a> <b>Sorted by Language Code</b>	
<b>Language Code</b>	<b>Description</b>
LIM	Limburgan; Limburger; Limburgish
LIN	Lithuanian
LOL	Mongo
LOZ	Lozi
LTZ	Luxembourgish; Letzeburgesch
LUA	Luba-Lulua
LUB	Luba-Katanga
LUG	Ganda
LUI	Luiseno
LUN	Lunda
LUO	Luo (Kenya and Tanzania)
LUS	Lushai
MAC	Macedonian
MAD	Madurese
MAG	Magahi
MAH	Marshallese
MAI	Maithili
MAK	Makasar
MAL	Malayalam
MAN	Mandingo
MAO	Maori
MAP	Austronesian (Other)
MAR	Marathi
MAS	Masai
MAY	Malay
MDF	Moksha
MDR	Mandar
MEN	Mende
MGA	Irish, Middle (900-1200)
MIC	Mi'kmaq; Micmac
MIG	Malagasy
MIN	Minangkabau



<b>Appendix C1: ISO 639-2 Language Codes</b> <a href="http://www.loc.gov/standards/iso639-2/php/code_list.php">http://www.loc.gov/standards/iso639-2/php/code_list.php</a> <b>Sorted by Language Code</b>	
<b>Language Code</b>	<b>Description</b>
MIS	Uncoded Languages
MKD	Macedonian
MKH	Mon-Khmer (Other)
MLT	Maltese
MNC	Manchu
MNI	Manipuri
MNO	Manobo Languages
MOH	Mohawk
MOL	Moldavian
MON	Mongolian
MOS	Mossi
MRI	Maori
MSA	Malay
MUL	Multiple Languages
MUN	Munda Languages
MUS	Creek
MWL	Mirandese
MWR	Marwari
MYA	Burmese
MYA	Burmese
MYN	Mayan Languages
MYV	Erzya
NAH	Nahuatl Languages
NAI	North American Indian
NAP	Neapolitan
NAU	Nauru
NAV	Navajo; Navaho
NBL	Nddbele, South; South Ndebele
NDE	Ndebele, North; North Ndebele
NDO	Ndonga
NDS	Low German; Low Saxon; German, Low; Saxon, Low
NEP	Nepali

<b>Appendix C1: ISO 639-2 Language Codes</b> <a href="http://www.loc.gov/standards/iso639-2/php/code_list.php">http://www.loc.gov/standards/iso639-2/php/code_list.php</a> <b>Sorted by Language Code</b>	
Language Code	Description
NEW	Nepal Bhasa; Newari
NIA	Nias
NIC	Niger-Kordofanian (Other)
NIU	Niuean
NLD	Dutch, Flemish
NNO	Norwegian Nynorsk; Nynorsk, Norwegian
NOB	Bokmål, Norwegian; Norwegian Bokmål
NOG	Nogai
NON	Norse, Old
NOR	Norwegian
NQO	N'Ko
NSO	Northern Sotho; Pedi; Sepedi
NUB	Nubian Languages
NWC	Nepal Bhasa, Classical; Classical Newari
NYA	Nyanja; Chichewa; Chewa
NYM	Nyamwezi
NYN	Nyankole
NYO	Nyoro
NZI	Nzima
OCI	Occitan (post 1500); Provençal
OJI	Ojibwa
ORI	Oriya
ORM	Oromo
OSA	Osage
OSS	Ossetian; Ossetic
OTA	Turkish, Ottoman (1500-1928)
OTO	Otomian Languages
PAA	Papuan (Other)
PAG	Pangasinan
PAL	Pahlavi
PAM	Pampanga
PAN	Panjabi; Punjabi

<b>Appendix C1: ISO 639-2 Language Codes</b> <a href="http://www.loc.gov/standards/iso639-2/php/code_list.php">http://www.loc.gov/standards/iso639-2/php/code_list.php</a> <b>Sorted by Language Code</b>	
<b>Language Code</b>	<b>Description</b>
PAP	Papiamentu
PAU	Palauan
PEO	Persian, Old (ca. 600-400 B.C.)
PER	Persian
PHI	Philippine (Other)
PHN	Phoenician
PLI	Pali
POL	Polish
PON	Pohnpeian
POR	Portuguese
PRA	Prakrit Languages
PRO	Provençal, Old (to 1500)
PUS	Pushto
QAA	Reserved for Local Use
QTZ	Reserved for Local Use
QUE	Quechua
RAJ	Rajasthani
RAP	Rapanui
RAR	Rarotongan; Cook Islands Maori
ROA	Romance (Other)
ROH	Romansh
ROM	Romany
RON	Romanian
RUM	Romanian
RUN	Rundi
RUP	Aromanian, Arumanian; Macedo-Romanian
RUS	Russian
SAD	Sandawe
SAG	Sango
SAH	Yakut
SAI	South American Indian (Other)
SAL	Salishan Languages

<b>Appendix C1: ISO 639-2 Language Codes</b> <a href="http://www.loc.gov/standards/iso639-2/php/code_list.php">http://www.loc.gov/standards/iso639-2/php/code_list.php</a> <b>Sorted by Language Code</b>	
<b>Language Code</b>	<b>Description</b>
SAM	Samaritan Aramaic
SAN	Sanskrit
SAS	Sasak
SAT	Santali
SCC	Serbian
SCN	Sicilian
SCO	Scots
SCR	Croatian
SEL	Selkup
SEM	Semitic (Other)
SGA	Irish, Old (to 900)
SGN	Sign Languages
SHN	Shan
SID	Sidamo
SIN	Sinhala; Sinhalese
SIO	Siouan Languages
SIT	Sino-Tibetan (Other)
SLA	Slavic (Other)
SLK	Slovak
SLO	Slovak
SLV	Slovenian
SMA	Southern Sami
SME	Northern Sami
SMI	Sami Languages (Other)
SMJ	Lule Sami
SMN	Inari Sami
SMO	Samoan
SMS	Skolt Sami
SNA	Shona
SND	Sindhi
SNK	Soninke
SOG	Sogdian

<b>Appendix C1: ISO 639-2 Language Codes</b> <a href="http://www.loc.gov/standards/iso639-2/php/code_list.php">http://www.loc.gov/standards/iso639-2/php/code_list.php</a> <b>Sorted by Language Code</b>	
<b>Language Code</b>	<b>Description</b>
SOM	Somali
SON	Songhai Languages
SOT	Sotho, Southern
SPA	Spanish, Castilian
SQI	Albanian
SQI	Albanian
SRD	Sardinian
SRN	Sranan Tongo
SRP	Serbian
SRR	Serer
SSA	Nilo-Saharan (Other)
SSW	Swati
SUK	Sukuma
SUN	Sundanese
SUS	Susu
SUX	Sumerian
SWA	Swahili
SWE	Swedish
SYC	Syriac, Classical
SYR	Syriac
TAH	Tahitian
TAI	Tai (Other)
TAM	Tamil
TAT	Tatar
TEL	Telugu
TEM	Timne
TER	Tereno
TET	Tetum
TGK	Tajik
TGL	Tagalog
THA	Thai
TIB	Tibetan

<b>Appendix C1: ISO 639-2 Language Codes</b> <a href="http://www.loc.gov/standards/iso639-2/php/code_list.php">http://www.loc.gov/standards/iso639-2/php/code_list.php</a> <b>Sorted by Language Code</b>	
<b>Language Code</b>	<b>Description</b>
TIB	Tibetan
TIG	Tigre
TIR	Tigrinya
TIV	Tiv
TKL	Tokelau
TLH	TlhIngan-Hol; Klingon
TLI	Tlingit
TMH	Tamashek
TOG	Tonga (Nyasa)
TON	Tonga (Tonga Islands)
TPI	Tok Pisin
TSI	Tsimshian
TSN	Tswana
TSO	Tsonga
TUK	Turkmen
TUM	Tumbuka
TUP	Tupi Languages
TUR	Turkish
TUT	Altaic (Other)
TVL	Tuvalu
TWI	Twi
TYV	Tuvinian
UDM	Udmurt
UGA	Ugaritic
UIG	Uighur; Uyghur
UKR	Ukrainian
UMB	Umbundu
UND	Undetermined
URD	Urdu
UZB	Uzbek
VAI	Vai
VEN	Venda

<b>Appendix C1: ISO 639-2 Language Codes</b> <a href="http://www.loc.gov/standards/iso639-2/php/code_list.php">http://www.loc.gov/standards/iso639-2/php/code_list.php</a> <b>Sorted by Language Code</b>	
<b>Language Code</b>	<b>Description</b>
VIE	Vietnamese
VOL	Volapük
VOT	Votic
WAK	Wakashan Languages
WAL	Walamo
WAR	Waray
WAS	Washo
WEL	Welsh
WEN	Sorbian Languages
WLN	Walloon
WOL	Wolof
XAL	Kalmyk; Oirat
XHO	Xhosa
YAO	Yao
YAP	Yapese
YID	Yiddish
YOR	Yoruba
YPK	Yupik Languages
ZAP	Zapotec
ZEN	Zenaga
ZHA	Zhuang; Chuang
ZHO	Chinese
ZND	Zande languages
ZUL	Zulu
ZUN	Zuni
ZXX	No linguistic content
ZZA	Zaza; Dimili; Dimli; Kirdki; Kirmanjki; Zazaki

<b>Appendix C2: ISO 639-2 Language Codes</b>	
<a href="http://www.loc.gov/standards/iso639-2/php/code_list.php">http://www.loc.gov/standards/iso639-2/php/code_list.php</a>	
<b>Sorted by Name of Language</b>	
<b>Language Code</b>	<b>Description</b>
AAR	Afar
ABK	Abkhazian
ACE	Achinese
ACH	Acoli
ADA	Adangme
ADY	Adyghe; Adygei
AFH	Afrihili
AFR	Afrikaans
AFA	Afro-Asiatic (Other)
AIN	Ainu
AKA	Akan
AKK	Akkadian
ALB	Albanian
SQI	Albanian
SQI	Albanian
ALE	Aleut
ALG	Algonquian Languages
TUT	Altaic (Other)
AMH	Amharic
ANP	Angika
APA	Apache Languages
ARA	Arabic
ARG	Aragonese
ARC	Aramaic (700-300 BCE); Imperial Aramaic (700-300 BCE)
ARP	Arapaho
ARW	Arawak
ARM	Armenian
HYE	Armenian
RUP	Aromanian, Arumanian; Macedo-Romanian
ART	Artificial (Other)
ASM	Assamese
AST	Asturian; Bable



<b>Appendix C2: ISO 639-2 Language Codes</b> <a href="http://www.loc.gov/standards/iso639-2/php/code_list.php">http://www.loc.gov/standards/iso639-2/php/code_list.php</a> <b>Sorted by Name of Language</b>	
<b>Language Code</b>	<b>Description</b>
ATH	Athapascan Languages
DEN	Athapascan Slave
AUS	Australian Languages
MAP	Austronesian (Other)
AVA	Avaric
AVE	Avestan
AWA	Awadhi
AYM	Aymara
AZE	Azerbaijani
AST	Bable, Asturian
BAN	Balinese
BAT	Baltic (Other)
BAM	Bambara
BAI	Bamileke Languages
BAD	Banda Languages
BNT	Bantu (Other)
BAS	Basa
BAQ	Basque
EUS	Basque
BTK	Batak Languages
BEJ	Beja
BEL	Belarusian
BEM	Bemba
BEN	Bengali
BER	Berber (Other)
BHO	Bhojpuri
BIH	Bihari
BIK	Bihari
BYN	Bilin; Blin
BIN	Bini; Edo
BIS	Bislama
BYN	Blin; Bilin

<b>Appendix C2: ISO 639-2 Language Codes</b> <a href="http://www.loc.gov/standards/iso639-2/php/code_list.php">http://www.loc.gov/standards/iso639-2/php/code_list.php</a> <b>Sorted by Name of Language</b>	
<b>Language Code</b>	<b>Description</b>
NOB	Bokmål, Norwegian; Norwegian Bokmål
BOS	Bosnian
BRA	BRAJ
BRE	Breton
BUG	Buginese
BUL	Bulgarian
CHU	Bulgarian (Old); Church Slavic; Old Slavonic; Church Slavonic; Old Church Slavonic
BUA	Buriat
MYA	Burmese
MYA	Burmese
CAD	Caddo
CAT	Catalan; Valencian
CAU	Caucasian (Other)
CEB	Cebuano
CEL	Celtic (Other)
CAI	Central American Indian (Other)
CHG	Chagatai
CMC	Chamic Languages
CHA	Chamorro
CHE	Chechen
CHR	Cherokee
CHY	Cheyenne
CHB	Chibcha
NYA	Chichewa; Chewa; Nyanja
CHI	Chinese
ZHO	Chinese
ZHO	Chinese
CHN	Chinook Jargon
CHP	Chipewyan
CHO	Choctaw
ZHA	Chuang; Zhuang
CHU	Church Slavic; Old Slavonic; Church Slavonic; Old Bulgarian; Old Church

<b>Appendix C2: ISO 639-2 Language Codes</b> <a href="http://www.loc.gov/standards/iso639-2/php/code_list.php">http://www.loc.gov/standards/iso639-2/php/code_list.php</a> <b>Sorted by Name of Language</b>	
<b>Language Code</b>	<b>Description</b>
	Slavonic
CHK	Chuukese
CHV	Chuvash
RAR	Cook Islands Maori; Rarotongan
COP	Coptic
COR	Cornish
COS	Corsican
CRE	Cree
MUS	Creek
CRP	Creoles and Pidgins (Other)
CPE	Creoles and Pidgins, English Based (Other)
CPF	Creoles and Pidgins, French Based (Other)
CPP	Creoles and Pidgins, Portuguese Based (Other)
CRH	Crimean Tatar; Crimean Turkish
HRV	Croatian
SCR	Croatian
CUS	Cushitic (Other)
CES	Czech
CZE	Czech
DAK	Dakota
DAN	Danish
DAR	Dargwa
DAY	Dayak (Land) Languages
DEL	Delaware
ZZA	Dimili; Dimli; Kirdki; Kirmanjki; Zazaki; Zaza
DIN	Dinka
DIV	Divehi; Dhivehi; Maldivian
DOI	Dogri
DGR	Dogrib
DRA	Dravidian (Other)
DUA	Duala
NLD	Dutch, Flemish

<b>Appendix C2: ISO 639-2 Language Codes</b> <a href="http://www.loc.gov/standards/iso639-2/php/code_list.php">http://www.loc.gov/standards/iso639-2/php/code_list.php</a> <b>Sorted by Name of Language</b>	
<b>Language Code</b>	<b>Description</b>
DUM	Dutch, Middle (ca. 1050–1350)
DUT	Dutch; Flemish
NLD	Dutch; Flemish
DYU	Dyula
DZO	Dzongkha
BIN	Edo; Bini
EFI	Efik
EGY	Egyptian (Ancient)
EKA	Ekajuk
ELX	Elamite
ENG	English
ENM	English, Middle (1100-1500)
ANG	English, Old (ca. 450-1100)
MYV	Erzya
EPO	Esperanto
EST	Estonian
EWE	Ewe
EWO	Ewondo
FAN	Fang
FAT	Fanti
FAO	Faroese
FIJ	Fijian
FIL	Filipino; Pilipino
FIN	Finnish
FIU	Finno-Ugrian (Other)
DUT	Flemish; Dutch
NLD	Flemish; Dutch
FON	Fon
FRA	French
FRE	French
FRM	French, Middle (ca. 1400-1600)
FRO	French, Old (842-ca. 1400)

<b>Appendix C2: ISO 639-2 Language Codes</b>	
<a href="http://www.loc.gov/standards/iso639-2/php/code_list.php">http://www.loc.gov/standards/iso639-2/php/code_list.php</a>	
<b>Sorted by Name of Language</b>	
<b>Language Code</b>	<b>Description</b>
FRS	Frisian, Eastern
FRR	Frisian, Northern
FRY	Frisian, Western
FUR	Friulian
FUL	Fulah
GAA	Ga
GLA	Gaelic; Scottish Gaelic
CAR	Galibi Carib
GLG	Galician
LUG	Ganda
GAY	Gayo
GBA	Gbaya
GEZ	Geez
GEO	Georgian
KAT	Georgian
DEU	German
GER	German
GSW	German (Swiss); Alemannic
NDS	German, Low; Saxon, Low
GMH	German, Middle High (ca.1050-1500)
GOH	German, Old High (ca. 750-1050)
GEM	Germanic (Other)
KIK	Gikuyu; Kikuyu
GIL	Gilbertese
GON	Gondi
GOR	Gorontalo
GOT	Gothic
GRB	Grebo
GRC	Greek, Ancient (to 1453)
ELL	Greek, Modern (1453-)
GRE	Greek, Modern (1453-)
KAL	Greenlandic; Kalaallisut

<b>Appendix C2: ISO 639-2 Language Codes</b> <a href="http://www.loc.gov/standards/iso639-2/php/code_list.php">http://www.loc.gov/standards/iso639-2/php/code_list.php</a> Sorted by Name of Language	
<b>Language Code</b>	<b>Description</b>
GRN	Guarani
GUJ	Gujarati
GWI	Gwich'in
HAI	Haida
HAU	Hausa
HAW	Hawaiian
HEB	Hebrew
HER	Herero
HIL	Hiligaynon
HIM	Himigaynon
HIN	Hindi
HMO	Hiri Motu
HIT	Hittite
HMN	Hmong
HUN	Hungarian
HUP	Hupa
IBA	Iban
ICE	Icelandic
ISL	Icelandic
IDO	Ido
IBO	Igbo
IJO	Ijo Languages
ILO	Iloko
SMN	Inari Sami
NAI	Indian, North American
SAI	Indian, South American (Other)
INC	Indic (Other)
INE	Indo-European (Other)
IND	Indonesian
INH	Ingush
INA	Interlingua (International Auxiliary Language Association)
ILE	Interlingue

<b>Appendix C2: ISO 639-2 Language Codes</b> <a href="http://www.loc.gov/standards/iso639-2/php/code_list.php">http://www.loc.gov/standards/iso639-2/php/code_list.php</a> <b>Sorted by Name of Language</b>	
Language Code	Description
IKU	Inuktitut
IPK	Inupiaq
IRA	Iranian (Other)
GLE	Irish
MGA	Irish, Middle (900-1200)
SGA	Irish, Old (to 900)
IRO	Iroquoian Languages
ITA	Italian
JPN	Japanese
JAV	Javanese
KAC	Jingpho; Kachin
JRB	Judeo-Arabic
JPR	Judeo-Persian
KBD	Kabardian
KAB	Kabyle
KAC	Kachin; Jingpho
KAL	Kalaallisut; Greenlandic
XAL	Kalmyk; Oirat
KAM	Kamba
KAN	Kannada
KAU	Kanuri
KRC	Karachay-Balkar
KAA	Kara-Kalpak
KRL	Karelian
KAR	Karen Languages
KAS	Kashmiri
CSB	Kashubian
KAW	Kawi
KAZ	Kazakh
KHA	Khasi
KHM	Khmer (Central)
KHI	Khoisan (Other)

<b>Appendix C2: ISO 639-2 Language Codes</b> <a href="http://www.loc.gov/standards/iso639-2/php/code_list.php">http://www.loc.gov/standards/iso639-2/php/code_list.php</a> <b>Sorted by Name of Language</b>	
<b>Language Code</b>	<b>Description</b>
KHO	Khotanese
KIK	Kikuyu; Gikuyu
KMB	Kimbundu
KIN	Kinyarwanda
ZZA	Kirdki; Kirmanjki; Zazaki; Zaza; Dimili; Dimli;
KIR	Kirghiz; Kyrgyz
TLH	Klingon; tlhIngan-Hol
KOM	Komi
KON	Kongo
KOK	Konkani
KOR	Korean
KOS	Kosraean
KPE	Kpelle
KRO	Kru Languages
KUA	Kuanyama; Kwanyama
KUM	Kumyk
KUR	Kurdish
KRU	Kurukh
KUT	Kutenai
LAD	Ladino
LAH	Lahnda
LAM	Lamba
LAO	Lao
LAT	Latin
LAV	Latvian
LEZ	Lezghian
LIM	Limburgan; Limburger; Limburgish
LIN	Lithuanian
JBO	Lojban
NDS	Low German; Low Saxon; German, Low; Saxon, Low
DSB	Lower Sorbian
LOZ	Lozi



<b>Appendix C2: ISO 639-2 Language Codes</b> <a href="http://www.loc.gov/standards/iso639-2/php/code_list.php">http://www.loc.gov/standards/iso639-2/php/code_list.php</a> <b>Sorted by Name of Language</b>	
<b>Language Code</b>	<b>Description</b>
LUB	Luba-Katanga
LUA	Luba-Lulua
LUI	Luiseno
SMJ	Lule Sami
LUN	Lunda
LUO	Luo (Kenya and Tanzania)
LUS	Lushai
LTZ	Luxembourgish; Letzeburgesch
MAC	Macedonian
MKD	Macedonian
RUP	Macedo-Romanian; Aromanian, Arumanian
MAD	Madurese
MAG	Magahi
MAI	Maithili
MAK	Makasar
MIG	Malagasy
MAY	Malay
MSA	Malay
MAL	Malayalam
DIV	Maldivian; Divehi; Dhivehi
MLT	Maltese
MNC	Manchu
MDR	Mandar
MAN	Mandingo
MNI	Manipuri
MNO	Manobo Languages
GLV	Manx
MAO	Maori
MRI	Maori
ARN	Mapudungun; Mapuche
MAR	Marathi
CHM	Mari

<b>Appendix C2: ISO 639-2 Language Codes</b> <a href="http://www.loc.gov/standards/iso639-2/php/code_list.php">http://www.loc.gov/standards/iso639-2/php/code_list.php</a> <b>Sorted by Name of Language</b>	
<b>Language Code</b>	<b>Description</b>
MAH	Marshallese
MWR	Marwari
MAS	Masai
MYN	Mayan Languages
MEN	Mende
MIC	Mi'kmaq; Micmac
MIN	Minangkabau
MWL	Mirandese
MOH	Mohawk
MDF	Moksha
MOL	Moldavian
LOL	Mongo
MON	Mongolian
MKH	Mon-Khmer (Other)
MOS	Mossi
MUL	Multiple Languages
MUN	Munda Languages
NQO	N'Ko
NAH	Nahuatl Languages
NAU	Nauru
NAV	Navajo; Navaho
NBL	Nddbele, South; South Ndebele
NDE	Ndebele, North; North Ndebele
NDO	Ndonga
NAP	Neapolitan
NWC	Nepal Bhasa, Classical; Classical Newari
NEW	Nepal Bhasa; Newari
NEP	Nepali
NWC	Newari, Classical; Old Newari; Classical Nepal Bhasa
NIA	Nias
NIC	Niger-Kordofanian (Other)
SSA	Nilo-Saharan (Other)

<b>Appendix C2: ISO 639-2 Language Codes</b> <a href="http://www.loc.gov/standards/iso639-2/php/code_list.php">http://www.loc.gov/standards/iso639-2/php/code_list.php</a> <b>Sorted by Name of Language</b>	
<b>Language Code</b>	<b>Description</b>
NIU	Niuean
ZXX	No linguistic content
NOG	Nogai
NON	Norse, Old
NAI	North American Indian
SME	Northern Sami
NSO	Northern Sotho; Pedi; Sepedi
NOR	Norwegian
NNO	Norwegian Nynorsk; Nynorsk, Norwegian
NUB	Nubian Languages
NYM	Nyamwezi
NYA	Nyanja; Chichewa; Chewa
NYN	Nyankole
NYO	Nyoro
NZI	Nzima
OCI	Occitan (post 1500); Provençal
XAL	Oirat; Kalmyk
OJI	Ojibwa
ORI	Oriya
ORM	Oromo
OSA	Osage
OSS	Ossetian; Ossetic
OTO	Otomian Languages
PAL	Pahlavi
PAU	Palauan
PLI	Pali
PAM	Pampanga
PAG	Pangasinan
PAN	Panjabi; Punjabi
PAP	Papiamento
PAA	Papuan (Other)
NSO	Pedi; Sepedi; Northern Sotho

<b>Appendix C2: ISO 639-2 Language Codes</b>	
<a href="http://www.loc.gov/standards/iso639-2/php/code_list.php">http://www.loc.gov/standards/iso639-2/php/code_list.php</a>	
<b>Sorted by Name of Language</b>	
<b>Language Code</b>	<b>Description</b>
FAS	Persian
PER	Persian
PER	Persian
PEO	Persian, Old (ca. 600-400 B.C.)
PHI	Philippine (Other)
PHN	Phoenician
FIL	Pilipino; Filipino
PON	Pohnpeian
POL	Polish
POR	Portuguese
PRA	Prakrit Languages
PRO	Provençal, Old (to 1500)
PAN	Punjabi; Panjabi
PUS	Pushto
QUE	Quechua
RAJ	Rajasthani
RAP	Rapanui
RAR	Rarotongan; Cook Islands Maori
QAA	Reserved for Local Use
QTZ	Reserved for Local Use
ROA	Romance (Other)
RON	Romanian
RUM	Romanian
ROH	Romansh
ROM	Romany
RUN	Rundi
RUS	Russian
SSA	Saharan, Nilo (Other)
SAL	Salishan Languages
SAM	Samaritan Aramaic
SMI	Sami Languages (Other)
SMN	Sami, Inari

<b>Appendix C2: ISO 639-2 Language Codes</b> <a href="http://www.loc.gov/standards/iso639-2/php/code_list.php">http://www.loc.gov/standards/iso639-2/php/code_list.php</a> <b>Sorted by Name of Language</b>	
<b>Language Code</b>	<b>Description</b>
SMJ	Sami, Lule
SME	Sami, Northern
SMS	Sami, Skolt
SMA	Sami, Southern
SMO	Samoan
SAD	Sandawe
SAG	Sango
SAN	Sanskrit
SAT	Santali
SRD	Sardinian
SAS	Sasak
NDS	Saxon, Low; German, Low
SCO	Scots
GLA	Scottish Gaelic
SEL	Selkup
SEM	Semitic (Other)
SCC	Serbian
SRP	Serbian
SRR	Serer
SHN	Shan
SNA	Shona
III	Sichuan Yi
SCN	Sicilian
SID	Sidamo
SGN	Sign Languages
BLA	Siksika
SND	Sindhi
SIN	Sinhala; Sinhalese
SIT	Sino-Tibetan (Other)
SIO	Siouan Languages
SMS	Skolt Sami
DEN	Slave (Athapascan)

<b>Appendix C2: ISO 639-2 Language Codes</b> <a href="http://www.loc.gov/standards/iso639-2/php/code_list.php">http://www.loc.gov/standards/iso639-2/php/code_list.php</a> <b>Sorted by Name of Language</b>	
<b>Language Code</b>	<b>Description</b>
CHU	Slavic (Church); Old Slavonic; Church Slavonic; Old Bulgarian; Old Church Slavonic
SLA	Slavic (Other)
SLK	Slovak
SLO	Slovak
SLV	Slovenian
SOG	Sogdian
SOM	Somali
SON	Songhai Languages
SNK	Soninke
HSB	Sorbian (Upper)
WEN	Sorbian Languages
DSB	Sorbian, Lower
NSO	Sotho, Northern; Pedi; Sepedi
SOT	Sotho, Southern
SAI	South American Indian (Other)
ALT	Southern Altai
SMA	Southern Sami
SPA	Spanish, Castilian
SRN	Sranan Tongo
SUK	Sukuma
SUX	Sumerian
SUN	Sundanese
SUS	Susu
SWA	Swahili
SSW	Swati
SWE	Swedish
GSW	Swiss German, Alemannic
SYR	Syriac
SYC	Syriac, Classical
TGL	Tagalog
TAH	Tahitian
TAI	Tai (Other)

<b>Appendix C2: ISO 639-2 Language Codes</b> <a href="http://www.loc.gov/standards/iso639-2/php/code_list.php">http://www.loc.gov/standards/iso639-2/php/code_list.php</a> <b>Sorted by Name of Language</b>	
<b>Language Code</b>	<b>Description</b>
HAT	Taitian; Haitian Creole
TGK	Tajik
TMH	Tamashek
TAM	Tamil
TAT	Tatar
CRH	Tatar (Crimean); Crimean Turkish
TEL	Telugu
TER	Tereno
TET	Tetum
THA	Thai
BOD	Tibetan
TIB	Tibetan
TIB	Tibetan
TIG	Tigre
TIR	Tigrinya
TEM	Timne
TIV	Tiv
TLH	TlhIngan-Hol; Klingon
TLI	Tlingit
TPI	Tok Pisin
TKL	Tokelau
TOG	Tonga (Nyasa)
TON	Tonga (Tonga Islands)
SRN	Tongo, Sranan
TSI	Tsimshian
TSO	Tsonga
TSN	Tswana
TUM	Tumbuka
TUP	Tupi Languages
TUR	Turkish
CRH	Turkish (Crimean); Crimean Tatar
OTA	Turkish, Ottoman (1500-1928)

<b>Appendix C2: ISO 639-2 Language Codes</b> <a href="http://www.loc.gov/standards/iso639-2/php/code_list.php">http://www.loc.gov/standards/iso639-2/php/code_list.php</a> Sorted by Name of Language	
Language Code	Description
TUK	Turkmen
TVL	Tuvalu
TYV	Tuvinian
TWI	Twi
UDM	Udmurt
UGA	Ugaritic
UIG	Uighur; Uyghur
UKR	Ukrainian
UMB	Umbundu
MIS	Uncoded Languages
UND	Undetermined
URD	Urdu
UZB	Uzbek
VAI	Vai
CAT	Valencian; Catalan
VEN	Venda
VIE	Vietnamese
VOL	Volapük
VOT	Votic
WAK	Wakashan Languages
WAL	Walamo
WLN	Walloon
WAR	Waray
WAS	Washo
CYM	Welsh
WEL	Welsh
WEL	Welsh
WOL	Wolof
XHO	Xhosa
SAH	Yakut
YAO	Yao
YAP	Yapese



<b>Appendix C2: ISO 639-2 Language Codes</b> <a href="http://www.loc.gov/standards/iso639-2/php/code_list.php">http://www.loc.gov/standards/iso639-2/php/code_list.php</a> <b>Sorted by Name of Language</b>	
<b>Language Code</b>	<b>Description</b>
YID	Yiddish
YOR	Yoruba
YPK	Yupik Languages
ZND	Zande languages
ZAP	Zapotec
ZZA	Zaza; Dimili; Dimli; Kirdki; Kirmanjki; Zazaki
ZEN	Zenaga
ZHA	Zhuang; Chuang
ZUL	Zulu
ZUN	Zuni

**Appendix D – TestCode and TestName (Older EDI Version)**

<b>TestCode</b>	<b>TestName</b>	<b>TestCode</b>	<b>TestName</b>
1	California Achievement Tests, 1977	816	Optometry Admissions Test
2	California Achievement Tests, 1985	817	Allied Health Professions Admission Test (AHPAT)
3	California Achievement Tests, 1986		College Level Examination Program (CLEP)
	Comprehensive Assessment Program Achievement Series, 1980	818	General Examinations
4	Comprehensive Tests of Basic Skills, 1981		College Level Examination Program (CLEP) Subject Examinations
5	Comprehensive Tests of Basic Skills, 1981	819	Graduate Record Examination (GRE) General Test
6	Comprehensive Tests of Basic Skills, 1988	821	Graduate Record Examination (GRE) Subject Tests
7	Iowa Tests of Basic Skills, 1978	822	Pre-Professional Skills Test (PPST)
8	Iowa Tests of Basic Skills, 1985	826	Test of Spoken English (TSE)
9	Tests of Achievement and Proficiency, 1978	828	Test of Written English (TWE)
10	Tests of Achievement and Proficiency, 1985	829	Veterinary College Admission Test (VCAT)
11	Metropolitan Achievement Tests, 1978	830	College Board's Advanced Placement Program (AP)
12	Metropolitan Achievement Tests, 1985	831	Alaska State Adopted Test or Requirement
13	Metropolitan Language Instructional Tests, 1979	9AK	Alabama State Adopted Test or Requirement
14	Metropolitan Reading Instructional Tests, 1979	9AL	Arkansas State Adopted Test or Requirement
15	National Tests of Basic Skills, 1985	9AR	Arizona State Adopted Test or Requirement
16	National Tests of Basic Skills, 1986	9AZ	California State Adopted Test or Requirement
	National Achievement Tests Comprehensive Assessment Program, 1989	9CA	Colorado State Adopted Test or Requirement
17	Science Research Associates Achievement Tests, 1978	9CO	Connecticut State Adopted Test or Requirement
18	Science Research Associates Survey of Basic Skills, 1985	9CT	District of Columbia State Adopted Test or Requirement
19	Stanford Diagnostic Reading Test, 1984	9DC	Delaware State Adopted Test or Requirement
20	Stanford Achievement Tests, 1982	9DE	Florida State Adopted Test or Requirement
21	Stanford Achievement Tests, 1987	9FLL	Georgia State Adopted Test or Requirement
22	Stanford Achievement Tests, 1988	9GA	Hawaii State Adopted Test or Requirement
23	Stanford Test of Academic Skills, 1982	9HI	Iowa State Adopted Test or Requirement
24	Stanford Test of Academic Skills, 1987	9IA	Idaho State Adopted Test or Requirement
25	Stanford Test of Academic Skills, 1988	9ID	Illinois State Adopted Test or Requirement
26	Sequential Tests of Educational Progress, 1979	9IL	Indiana State Adopted Test or Requirement
27	The 3 R's Test, 1982	9IN	Kansas State Adopted Test or Requirement
28	California Achievement Tests	9KS	Kentucky State Adopted Test or Requirement
29	Comprehensive Assessment Program Achievement Series	9KY	Louisiana State Adopted Test or Requirement
30	Comprehensive Tests of Basic Skills	9LA	Massachusetts State Adopted Test or Requirement
31	Iowa Tests of Basic Skills	9MA	Maryland State Adopted Test or Requirement
32	Tests of Achievement and Proficiency	9MD	Maine State Adopted Test or Requirement
33	Metropolitan Achievement Tests	9ME	Michigan State Adopted Test or Requirement
34	Metropolitan Language Instructional Tests	9MI	Minnesota State Adopted Test or Requirement
35	Metropolitan Reading Instructional Tests	9MN	Missouri State Adopted Test or Requirement
36	National Tests of Basic Skills	9MO	Mississippi State Adopted Test or Requirement
37	National Achievement Tests Comprehensive Assessment Program	9MS	Montana State Adopted Test or Requirement
38	Science Research Associates Achievement Tests	9MT	North Carolina State Adopted Test or Requirement
39	Science Research Associates Survey of Basic Skills	9NC	North Dakota State Adopted Test or Requirement
40	Stanford Diagnostic Reading Test	9ND	Nebraska State Adopted Test or Requirement
41	Stanford Achievement Tests	9NE	New Hampshire State Adopted Test or Requirement
42	Stanford Test of Academic Skills	9NH	New Jersey State Adopted Test or Requirement
43	Sequential Tests of Educational Progress	9NJ	New Mexico State Adopted Test or Requirement
44	The 3 R's Test	9NM	Nevada State Adopted Test or Requirement
45	Iowa Test of Educational Development (Grades 9-12)	9NV	New York State Adopted Test or Requirement
46	Local/District Adopted Test	9NY	Ohio State Adopted Test or Requirement
555	American College Testing Program (ACT)	9OH	Oklahoma State Adopted Test or Requirement
801	Preliminary American College Testing (PACT)	9OK	Oregon State Adopted Test or Requirement
802	College Board's Scholastic Aptitude Test (SAT I)	9OR	Pennsylvania State Adopted Test or Requirement
803	Preliminary Scholastic Aptitude Test/ National Merit Scholarship Qualifying Test (PSAT/NMSQT)	9PA	Rhode Island State Adopted Test or Requirement
804	College Board's Achievement Tests (SAT II)	9RI	South Carolina State Adopted Test or Requirement
805	Test of Adult Basic Education (TABE)	9SC	South Dakota State Adopted Test or Requirement
806	International Baccalaureate (IB)	9SD	Tennessee State Adopted Test or Requirement
807	General Education Development (GED)	9TN	Texas State Adopted Test or Requirement
808	Test of English as a Foreign Language (TOEFL)	9TX	Utah State Adopted Test or Requirement
809	Graduate Management Admissions Test (GMAT)	9UT	Virginia State Adopted Test or Requirement
810	Law School Admissions Test (LSAT)	9VA	Vermont State Adopted Test or Requirement
811	Miller Analogies Test	9VT	Washington State Adopted Test or Requirement
812	Medical Colleges Aptitude Test (MCAT)	9WA	Wisconsin State Adopted Test or Requirement
813	Dental Admissions Test	9WI	West Virginia State Adopted Test or Requirement
814		9WV	Wyoming State Adopted Test or Requirement
815		9WY	Other Tests Not Listed or Provided by Sender

## Appendix E – EducationTestCode and EducationTestName

**These are the newer codes used in newer PESC XML Schemas after August 2009**

<b>Appendix E – EducationTestCode and EducationTestName</b>	
<b>Test Code</b>	<b>Test Name</b>
ACT	The ACT
ACTExplore	ACT EXPLORE
ACTInterestInventory	ACT Interest Inventory
ACTPlan	ACT PLAN
ACTWorkKeys	ACT WorkKeys
APArtDrawing	College Board Adv Placement in Art - Drawing
APArtGeneral	College Board Adv Placement in Art - General
APBiology	College Board Adv Placement in Biology
APCalculusAB	College Board Adv Placement in Calculus AB
APCalculusBC	College Board Adv Placement in Calculus BC
APChemistry	College Board Adv Placement in Chemistry
APComputerScienceA	College Board Adv Placement in Computer Science A
APComputerScienceAB	College Board Adv Placement in Computer Science AB
APComputerScienceB	College Board Adv Placement in Computer Science B
APComputerSciencePrinciples	College Board Adv Placement in Computer Science Principles
APEconomicsMacro	College Board Adv Placement in Economics Macro
APEconomicsMicro	College Board Adv Placement in Economics Micro
APEnglishLanguageComposition	College Board Adv Placement in English Language Composition
APFrenchLanguage	College Board Adv Placement in French Language
APFrenchLiterature	College Board Adv Placement in French Literature
APGermanLanguage	College Board Adv Placement in German Language
APGovernmentPoliticsComparative	College Board Adv Placement in Government & Politics - Comparative
APGovernmentPoliticsUS	College Board Adv Placement in Government & Politics - US
APHistoryArt	College Board Adv Placement in Art History
APHistoryEurope	College Board Adv Placement in European History
APHistoryUS	College Board Adv Placement in US History
APHistoryWorld	College Board Adv Placement in World History

<b>Appendix E – EducationTestCode and EducationTestName</b>	
<b>Test Code</b>	<b>Test Name</b>
APHumanGeography	College Board Adv Placement in Human Geography
APItalianLanguageAndCulture	College Board Adv Placement in Italian Language and Culture
APJapaneseLanguageAndCulture	College Board Adv Placement in Japanese Language and Culture
APLatin	College Board Adv Placement in Latin
APLatinCatHor	College Board Adv Placement in Latin Cat Hor
APLatinVergil	College Board Adv Placement in Latin - Vergil
APMusicListeningLiterature	College Board Adv Placement in Music Listening & Literature
APMusicTheory	College Board Adv Placement in Music Theory
APPhysics	College Board Adv Placement in Physics
APPhysics1Algebra	College Board Adv Placement in Physics and Algebra 1
APPhysics2Algebra	College Board Adv Placement in Physics and Algebra 2
APPhysicsEngineeringMechanics	College Board Adv Placement in Physics C - E & M
APPhysicsMechanics	College Board Adv Placement in Physics C - Mech
APPsychology	College Board Adv Placement in Psychology
APSpanishLanguage	College Board Adv Placement in Spanish Language
APSpanishLiterature	College Board Adv Placement in Spanish Literature
APStatistics	College Board Adv Placement in Statistics
CaliforniaHighSchoolExitExam	California High School Exit Exam
CLEPAccountingFinancial	College Level Examination Program - Finacial Accounting
CLEPAlgebraCollege	College Level Examination Program - College Algebra
CLEPBiology	College Level Examination Program - Biology
CLEPBusinessLawIntroduction	College Level Examination Program - Introduction to Business Law
CLEPCalculus	College Level Examination Program - Calculus
CLEPChemistry	College Level Examination Program - Chemistry
CLEPCompositionCollegeFreshman	College Level Examination Program - Freshman College Composition
CLEPCompsitionEnglish	College Level Examination Program - EnglishComposition
CLEPEconomicsMacro	College Level Examination Program - Principles of Macroeconomics
CLEPEconomicsMicro	College Level Examination Program - Principles of Microeconomics

<b>Appendix E – EducationTestCode and EducationTestName</b>	
<b>Test Code</b>	<b>Test Name</b>
CLEPEnglishComposition	College Level Examination Program - English Composition
CLEPFrenchLanguage	College Level Examination Program - French Language (Levels 1 and 2)
CLEPGermanLanguage	College Level Examination Program - German Lanaguage (Levels 1 and 2)
CLEPGovernmentAmerican	College Level Examination Program - American Government
CLEPHistoryUSFrom1865	College Level Examination Program - U.S. History II:1865 to Present
CLEPHistoryUSTo1877	College Level Examination Program - U.S. History I: Early Colonization to 1877
CLEPHumanGrowthDevelopment	College Level Examination Program - Human Growth and Development
CLEPHumanities	College Level Examination Program - Humanities
CLEPInformationSystems	College Level Examination Program - Information Systems and Computer Applications
CLEPLanguageSpanish	College Level Examination Program - Spanish Language (Levels 1 and 2)
CLEPLiteratureAmerican	College Level Examination Program - American Literature
CLEPLiteratureAnalysisAndInterpreting	College Level Examination Program - Analyzing and Interpreting Literature
CLEPLiteratureEnglish	College Level Examination Program - English Literature
CLEPManagement	College Level Examination Program - Principles of Management
CLEPMarketing	College Level Examination Program - Principles of Marketing
CLEPMath	College Level Examination Program - Mathematics
CLEPMathCollege	College Level Examination Program - College Mathematics
CLEPPreCalculus	College Level Examination Program - Precalculus
CLEPPsychologyEducational	College Level Examination Program - Educational Psychology
CLEPPsychologyIntroductory	College Level Examination Program - Introductory Psychology
CLEPSciencesNatural	College Level Examination Program - Natural Science
CLEPSocialSciencesAndHistory	College Level Examination Program - Social Sciences and History
CLEPSociologyIntroductory	College Level Examination Program - Introductory Sociology
CLEPWesternCivilizationFrom1648	College Level Examination Program - Western Civilization II: 1648 to Present

<b>Appendix E – EducationTestCode and EducationTestName</b>	
<b>Test Code</b>	<b>Test Name</b>
CLEPWesternCivilizationTo1648	College Level Examination Program - Western Civilization I: Ancient Near East to 1648
GED	General Education Development
GMAT	GMAT (Graduate Management Admission Test)
GRE	Graduate Record Examination General Test (ETS)
GREBiochemistryCellMolecular	Graduate Record Examination General Test (ETS)
GREBiology	Graduate Record Examination - Biology
GREChemistry	Graduate Record Examination - Chemistry
GREComputerScience	Graduate Record Examination - Computer Science
GRELiteratureEnglish	Graduate Record Examination - Literature in English
GREMathematics	Graduate Record Examination - Mathematics
GREPhysics	Graduate Record Examination - Physics
GREPsychology	Graduate Record Examination - Psychology
IELTS	International English Language Testing System (Cambridge)
InternationalBaccalaureate	International Baccalaureate
LSAT	Law School Admission Test
MCAT	Medical Colleges Admissions Test
OtherStateTest	Other State Test
OtherTest	Other Test
SAT	SAT Reasoning Test
SATBiology	SAT Subject Test - Biology E/M
SATChemistry	SAT Subject Test - Chemistry
SATChineseListening	SAT Subject Test - Chinese with Listening
SATFrenchListening	SAT Subject Test - French Listening
SATGerman	SAT Subject Test - German
SATGermanListening	SAT Subject Test - German Listening
SATHebrew	SAT Subject Test - Hebrew
SATHebrewModern	SAT Subject Test - Modern Hebrew
SATHistoryWorld	SAT Subject Test - World History
SATItalian	SAT Subject Test - Italian
SATJapaneseWithListening	SAT Subject Test - Japanese with Listening
SATKoreanListening	SAT Subject Test - Korean with Listening
SATLatin	SAT Subject Test - Latin
SATLiterature	SAT Subject Test - Literature
SATMath1	SAT Subject Test - Mathematics Level I
SATMath2	SAT Subject Test - Mathematics Level II
SATPhysics	SAT Subject Test - Physics
SATSpanish	SAT Subject Test - Spanish
SATSpanishListening	SAT Subject Test - Spanish Listening
SATUSHistory	SAT Subject Test - American History

**Appendix E – EducationTestCode and EducationTestName**

Test Code	Test Name
TABE	Test of Adult Basic Education
TOEFL	Test of English as a Foreign Language

**Appendix F – SubtestCode and SubtestName (Older EDI Codes)**

**CALIFORNIA ACHIEVEMENT TESTS (Test codes 1, 2, 3, and 29)**

00001 Vocabulary  
00002 Reading Comprehension  
00003 Reading Total  
00004 Spelling  
00005 Language Mechanics  
00006 Language Expression  
00007 Language Total  
00008 Mathematics Computation  
00009 Mathematics Concepts and Applications  
00010 Mathematics Total  
00011 Total Battery  
00012 Study Skills  
00013 Science  
00014 Social Studies  
00100 Complete Battery  
00101 Basic Battery

**COMPREHENSIVE TESTS OF BASIC SKILLS (Test codes 5, 6 and 31)**

00001 Visual Recognition  
00002 Sound Recognition  
00003 Oral Comprehension  
00004 Word Attack  
00005 Vocabulary  
00006 Total Reading Oral  
00007 Reading Comprehension  
00008 Spelling  
00009 Language Mechanics  
00010 Language Expression  
00011 Total Language  
00012 Mathematics Computation  
00013 Mathematics Concepts and Applications  
00014 Reference Skills  
00015 Science  
00016 Social Studies  
00100 Complete Battery  
00101 Basic Battery

**IOWA TESTS OF BASIC SKILLS (Test codes 7, 8 and 32)**

00001 Listening  
00002 Word Analysis  
00003 Vocabulary  
00004 Reading Comprehension  
00005 Spelling  
00006 Capitalization  
00007 Punctuation  
00008 Usage and Expression  
00009 Language Total  
00010 Visual Materials  
00011 Reference Materials  
00012 Work-Study Skills  
00013 Mathematics Concepts  
00014 Mathematics Problems  
00015 Mathematics Computation  
00016 Science  
00017 Materials Total  
00018 Mathematics Total  
00019 Social Studies  
00100 Complete Battery  
00101 Basic Battery



**Appendix F – SubtestCode and SubtestName (Older EDI Version Continued)**

TESTS OF ACHIEVEMENT AND PROFICIENCY (Test codes 9, 10 and 33)

00001 Reading Comprehension  
00002 Mathematics  
00003 Written Expression  
00004 Using Sources of Information  
00005 Social Studies  
00006 Science  
00007 Applied Proficiency Skills  
00008 Total Battery  
00100 Complete Battery  
00101 Basic Battery

METROPOLITAN ACHIEVEMENT TESTS (Test codes 11, 12 and 34)

00001 Vocabulary  
00002 Word Recognition Skills  
00003 Reading Comprehension  
00004 Total Reading  
00005 Mathematics: Concepts  
00006 Mathematics: Problem Solving  
00007 Mathematics: Computation  
00008 Total Mathematics  
00009 Spelling  
00010 Language  
00011 Total Language  
00012 Science  
00013 Social Studies  
00014 Research Skills  
00100 Complete Battery  
00101 Basic Battery

NATIONAL TESTS OF BASIC SKILLS (Test codes 15, 16 and 37)

00001 Listening  
00002 Word Analysis  
00003 Vocabulary  
00004 Reading Comprehension  
00005 Spelling  
00006 Capitalization  
00007 Punctuation  
00008 Usage and Expression  
00009 Language Total  
00010 Visual Materials  
00011 Reference Materials  
00012 Work-Study Skills  
00013 Mathematics Concepts  
00014 Mathematics Problems  
00015 Mathematics Computation  
00016 Science  
00017 Social Studies  
00100 Basic Battery  
00101 Complete Battery

**Appendix F – SubtestCode and SubtestName (Older EDI Version Continued)**

SCIENCE RESEARCH ASSOCIATES SURVEY OF BASIC SKILLS (Test codes 19 and 40)

00001 Reading Total  
00002 Auditory Discrimination  
00003 Letters and Sounds  
00004 Decoding  
00005 Listening Comprehension  
00006 Vocabulary  
00007 Reading Comprehension  
00008 Language Arts  
00009 Mechanics  
00010 Usage  
00011 Spelling  
00012 Mathematics: Concepts/Problem Solving  
00013 Mathematics: Computation  
00014 Reference Materials  
00015 Educational Ability Series  
00016 Reading Comprehension  
00017 Social Studies  
00018 Science  
00019 Survey of Applied Skills  
00100 Complete Battery  
00101 Basic Battery

STANFORD ACHIEVEMENT TESTS (Test codes 21, 22, 23 and 42)

00001 Listening  
00002 Word Analysis  
00003 Vocabulary  
00004 Reading Comprehension  
00005 Spelling  
00006 Capitalization  
00007 Punctuation  
00008 Usage and Expression  
00009 Language Total  
00010 Visual Materials  
00011 Reference Materials  
00012 Work-Study Skills  
00013 Mathematics Concepts  
00014 Mathematics Problems  
00015 Mathematics Computation  
00016 Basic Battery  
00017 Complete Battery  
00018 Social Studies  
00019 Science  
00100 Complete Battery  
00101 Basic Battery

STANFORD TEST OF ACADEMIC SKILLS (Test codes 24, 25, 26 and 43)

00001 Word Reading  
00002 Reading Comprehension  
00003 Auditory Discrimination  
00004 Phonetic Analysis  
00005 Structural Analysis  
00006 Auditory Vocabulary  
00007 Vocabulary  
00008 Word Parts  
00009 Reading Rate  
00010 Scanning and Skimming  
00011 Fast Reading  
00012 Number System and Numeration  
00013 Computation  
00014 Applications  
00015 Mathematics Total  
00100 Complete Battery  
00101 Basic Battery

**Appendix F – SubtestCode and SubtestName (Older EDI Version Continued)**

THE 3 R'S TEST (Test codes 28 and 45)

00001 Listening  
00002 Word Analysis  
00003 Vocabulary  
00004 Reading Comprehension  
00005 Spelling  
00006 Capitalization  
00007 Punctuation  
00008 Usage and Expression  
00009 Language Total  
00010 Visual Materials  
00011 Reference Materials  
00012 Work-Study Skills  
00013 Mathematics Concepts  
00014 Mathematics Problems  
00015 Mathematics Computation  
00016 Social Studies  
00017 Science  
00100 Complete Battery  
00101 Basic Battery

IOWA TEST OF EDUCATIONAL DEVELOPMENT, GRADES 9-12 (Test code 46)

00001 Vocabulary  
00002 Content Area Reading  
00003 Reading Total  
00004 Expression – Advanced  
00005 Expression Total  
00006 Quantitative Thinking  
00007 Quantitative Thinking  
00008 Core Total  
00009 Literary Materials  
00010 Social Studies  
00011 Science  
00012 Sources of Information  
00013 Composite

AMERICAN COLLEGE TESTING PROGRAM (ACT) (Test code 801)

00001 English  
00002 English: Usage/Mechanics  
00003 English: Rhetorical Skills  
00004 Mathematics  
00005 Mathematics: Preliminary and Elementary Algebra  
00006 Mathematics: Intermediate Algebra and Geometry  
00007 Mathematics: Plane Geometry and Trigonometry  
00008 Reading  
00009 Reading: Social Studies and Science  
00010 Reading: Arts and Literature  
00011 Science Reasoning  
00012 Composite

PRELIMINARY AMERICAN COLLEGE TESTING (Test code 802)

00001 English  
00002 English: Usage and Mechanics  
00003 English: Rhetorical Skills  
00004 Mathematics  
00005 Mathematics: Preliminary Algebra  
00006 Mathematics: Geometry  
00007 Reading  
00008 Reading: Social Studies and Science  
00009 Reading: Arts and Literature  
00010 Science Reasoning  
00011 Composite

**Appendix F – SubtestCode and SubtestName (Older EDI Version Continued)**

THE COLLEGE BOARD'S SCHOLASTIC APTITUDE TEST (SAT I) (Test code 803)

00001 Verbal  
00002 Reading Comprehension  
00003 Vocabulary  
00004 Mathematical  
00005 Total  
00006 Test of Standard Written English (TSWE)

PRELIMINARY SCHOLASTIC APTITUDE TEST/NATIONAL MERIT SCHOLARSHIP QUALIFYING TEST (PSAT/NMSQT) (Test code 804)

00001 Verbal  
00002 Mathematical  
00003 Total

COLLEGE BOARD'S ACHIEVEMENT TESTS (SAT II) (Test code 805)

00001 English Composition  
00002 Literature  
00003 American History  
00004 European History  
00005 Mathematics I  
00006 Mathematics II  
00007 Biology  
00008 Chemistry  
00009 Physics  
00010 French  
00011 German  
00012 Hebrew  
00013 Latin  
00014 Spanish  
00015 World History  
00016 French Listening  
00017 Japanese with Listening  
00018 German Listening  
00019 Spanish Listening  
00020 Chinese with Listening  
00021 English Composition with Essay  
00022 Italian  
00023 Mathematics Level IC  
00024 Mathematics Level IIC  
00025 Modern Hebrew  
00026 Writing

TEST OF ADULT BASIC EDUCATION (TABE) (Test code 806)

00001 Language Arts  
00002 Mechanics  
00003 Expression  
00004 Reading  
00005 Vocabulary  
00006 Comprehension  
00007 Mathematics  
00008 Computation  
00009 Concepts/Applications  
00010 Spelling

INTERNATIONAL BACCALAUREATE (IB) (Test code 807)

00001 Biology  
00002 Chemistry  
00003 English A  
00004 English B  
00005 Foreign Language A  
00006 Foreign Language B  
00007 History (American)  
00008 History (European)  
00009 Mathematics  
00010 Physics

**Appendix F – SubtestCode and SubtestName (Older EDI Version Continued)**

TEST OF SPOKEN ENGLISH (TSE) (Test code 828)

00001 Pronunciation  
00002 Grammar  
00003 Fluency  
00004 Overall Comprehension

VETERINARY COLLEGE ADMISSION TEST (VCAT) (Test code 830)

00001 Verbal Ability  
00002 Biology  
00003 Chemistry  
00004 Quantitative Ability  
00005 Reading Comprehension

THE COLLEGE BOARD'S ADVANCED PLACEMENT PROGRAM (Test code 831)

00001 U.S. History  
00002 Art History  
00003 Art - Drawing  
00004 Art - General  
00005 Biology  
00006 Chemistry  
00007 Comp Sci - A  
00008 Comp Sci - B  
00009 Economics - Micro  
00010 Economics - Macro  
00011 English Language/Comp  
00012 English Literature/Comp  
00013 European History  
00014 French Language  
00015 French Literature  
00016 German Language  
00017 Govt & Pol - US  
00018 Govt & Pol - Comp  
00019 Latin - Vergil  
00020 Latin - Cat Hor  
00021 Calculus AB  
00022 Calculus BC  
00023 Music List & Lit  
00024 Music Theory  
00025 Physics  
00026 Physics C - Mech  
00027 Physics C - E & M  
00028 Psychology  
00029 Spanish Language  
00030 Spanish Literature

## Appendix G – EducationSubtestCode and EducationSubtestName

**Note: This is the new set of codes for Subtests that has been approved by the PESC Workgroup for Education Test Score Reporting and the Application for Admission**

<b>Appendix G – EducationSubtestCode and EducationSubtestName</b>	
<b>Subtest Code</b>	<b>Subtest Name</b>
Algebra	Algebra
Algebra1	Algebra 1
AlgebraGeometryCoordinate	Algebra/Coordinate Geometry
Analytical	Analytical Writing
Biochemistry	Biochemistry
Biology	Biology
BiologyCell	Cell Biology
BiologyCellularAndMolecular	Cellular and Molecular Biology
BiologyMolecularAndGenetics	Molecular Biology and Genetics
BiologyOrganismal	Organismal Biology
Chemistry	Chemistry
CompositeScore	Composite
Comprehension	Comprehension
Computation	Computation
ConceptsApplications	Concepts/Applications
EcologyAndEvolution	Ecology and Evolution
English	English
EnglishA	English A
EnglishB	English B
EnglishLanguageArts	English-Language Arts
EnglishRhetoricalSkills	English: Rhetorical Skills
EnglishTestOfStandardWritten	Test of Standard Written English
EnglishUsageMechanics	English: Usage/Mechanics
Essay	Essay 1
Expression	Expression
Fit	Personal Skills: Fit
GeometryTrigonometry	Geometry/Trigonometry
HistoryAmerican	History (American)
HistoryEuropean	History (European)
InformationLocating	Locating Information
InterestArts	Interest in Arts
InterestBusinessContact	Interest in Business Contact
InterestBusinessOperations	Interest in Business Operations
InterestScience	Interest in Science
InterestSocialScience	Interest in Social Science
InterestTechnical	Interest Technical
LanguageArts	Language Arts

<b>Appendix G – EducationSubtestCode and EducationSubtestName</b>	
<b>Subtest Code</b>	<b>Subtest Name</b>
LanguageForeignA	Foreign Language A
LanguageForeignB	Foreign Language B
Listening	Listening
ListeningComprehension	Listening Comprehension
LiteraryResponses	Literary Responses and Analysis
LiteratureAndArtsInterpreting	Interpreting Literature and the Arts
Math	Mathematics
MathAlgebraPreAlgebra	Mathematics: Pre-algebra/Algebra
MathApplied	Applied Mathematics
MathElementaryPreAlgebra	Mathematics: Pre-algebra/elementary
MathGeometry	Mathematics: Geometry
MathIntermediate	Mathematics: Intermediate
MathPlaneGeometryTrigonometry	Mathematics: Plane Geometry and Trigonometry
MeasurementAndGeometry	Measurement & Geometry
Mechanics	Mechanics
NumberSense	Number Sense
Observation	Observation
OtherSubtest	Other subtest
Performance	Personal Skills: Performance
Physics	Physics
ProbabilityAndStatistics	Probability and Statistics
PsychologyExperimental	Experimental Psychology
PsychologySocial	Social Psychology
Quantitative	Quantitative
Reading	Reading
ReadingArtsLiterature	Reading: Arts/Literature
ReadingComprehension	Reading Comprehension
ReadingInformational	Reading for Information
ReadingSocialStudiesScience	Reading: Social Studies/Science
Science	Science
SocialStudies	Social Studies
Spelling	Spelling
Talent	Personal Skills: Talent
Teamwork	Teamwork
TechnologyApplied	Applied Technology
Total	Total
TotalScore	Total
Usage	Usage
Verbal	Verbal
Vocabulary	Vocabulary
WordAnalysis	Word Analysis
Writing	Writing
WritingAnalytical	Analytical Writing Assessment
WritingBusiness	Business Writing

<b>Appendix G – EducationSubtestCode and EducationSubtestName</b>	
<b>Subtest Code</b>	<b>Subtest Name</b>
WritingConventions	Writing Conventions
WritingEnglish	Combined Writing/English
WritingStrategies	Writing Strategies
WrittenExpressionAndStructure	Structure and Written Expression



**Appendix H – CourseAcademicGradeScaleCode**

<b>I. Five or more passing grades (alpha with +/-)</b>												
<b>Code</b>	<b>Grades Used</b>											
<b>Wt</b>	4.0	3.7	3.3	3.0	2.7	2.3	2.0	1.7	1.3	1.0	0.7	0.0
01	A	A-	B+	B	B-	C+	C	C-	D+	D	D-	F
02	A+,A	A-	B+	B	B-	C+	C	C-	D+	D	D-	F
03	A		B+	B		C+	C		D+	D		F
04	A+, A		B+	B		C+	C		D+	D		F
05	A+, A	A-	B+	B	B-	C+	C	C-	D+	D		F
06	A	A-	B+	B	B-	C+	C	C-				F
07	A		B+	B		C+	C			D		F
08	A	A-	B+	B	B-	C+	C	C-	D+	D		F
09	A	A-	B+	B	B-	C+	C	C-		D		F
10	A	A-	B+	B	B-	C+	C	C-	D+	D	D-	E/NC
11	A+, A	A-	B+	B	B-	C+	C	C-				
12	A+, A	A-	B+	B	B-	C+	C	C-	D+	D	D-	
13	A	A-	B+	B	B-	C+	C	C-	D+	D	D-	
14	Non-standard system using 5 or more alpha grades, no "F"											
15	Non-standard system using 5 or more alpha grades, and "F"											

<b>II. ABCD/F with Halfstep Grades (AB, BC, etc.)</b>									
<b>Code</b>	<b>Grades Used</b>								
<b>Wt</b>	4.0	3.5	3.0	2.5	2.0	1.5	1.0	0.5	0.0
16	A	AB	B	BC	C	CD	D	DF	F
17	A	AB	B	BC	C		D		F
18	A		B	C+	C		D		F
19	A	B+	B	C+	C	D+	D		F
20	A	B+	B	C+	C		D		F
21	A	B+	B	C+	C	C-	D		F
22	A+,A	B+	B	C+	C	D+	D		F
23	Other ABCDF system with halfstep grades, no "F" grade								
24	Other ABCDF system with halfstep grades and "F" grade								

**Appendix H – CourseAcademicGradeScaleCode (Continued)**

<b>III. ABCD/F Type (4 passing letter grades)</b>					
<b>Code</b>	<b>Grades Used</b>				
<b>Wt</b>	<b>4.0</b>	<b>3.0</b>	<b>2.0</b>	<b>1.0</b>	<b>0.0</b>
25	A	B	C	D	F
26	A	B	C	D	NC/N
27	A	B	C	D	E
28	H	S+	S	S-	U
29	E	S	M	I	F
30	DN	HP	P	HCO	NC
31	D	E	G	Q	U/F
32	H	E	G	P	U
33	S	H	P	LP	F
34	E	VG	G	P	F
35	HO	HP	PA	CR	NC
36	A	B	C	D	
37	A	B	C	D	U/R
38	Other ABCD/F type system, no "F" grade				
39	Other ABCD/F type system, with "F" grade				

<b>IV. ABC/F Type (3 passing letter grades)</b>				
<b>Code</b>	<b>Grades Used</b>			
<b>Wt</b>	<b>4.0</b>	<b>3.0</b>	<b>2.0</b>	<b>0.0</b>
40	A	B	C	F
41	H	HP	CR	NC
42	H	HP	P	F
43	A	B	C	NC
44	A	B	C	
45	H	HP	P	NP
46	HH	H	P	
47	HH	H	P	F
48	E	G	P	U/F
53	Other ABC/F type system, with no "F" grade			
54	Other ABC/F type system, with "F" grade			

Appendix H – CourseAcademicGradeScaleCode

<b>V. Graduate School Grading Systems (not normally found in Manual)</b>					
<b>Code</b>	<b>Grades Used</b>				
Wt	4.0	3.7	3.0	2.7	0.0
49	H	HP	P	LP	U/F
50	H	HP	P		F
51	DIST	HIGH PASS	PASS	LOW PASS	F
52	H	HP	P		U

<b>VI. Pass/Fail Type (one or two passing grades)</b>	
<b>Code</b>	<b>Grades Used</b>
Two passing grades, each converted to an American Medical Colleges Admissions Service (AMCAS) grade of "P"; failing grade converted to "N"	
55	Pass/Fail: HP and P, F
56	Pass/Fail: H and P, F
57	Pass/Fail: HP and P, N/NC
58	Pass/Fail: H and P, U
59	Other Pass/Fail types with two passing grades
One passing grade, converted to AMCAS grade of "P"; failing grade converted to AMCAS grade of "N"	
60	Pass/Fail: P, F
61	Pass/Fail: SAT, U
62	Pass/Fail: CR, NC
63	Pass/Fail: S, U
64	Other Pass/Fail types with one passing grade

Appendix H – CourseAcademicGradeScaleCode (Continued)

VII. Numeric - Percent Type												
Code	Grades Used											
Wt	4.0	3.7	3.3	3.0	2.7	2.3	2.0	1.7	1.3	1.0	0.7	0.0
65	100-93	92-90	89-87	86-83	82-80	79-77	76-73	72-70	69-67	66-63	62-60	59-0
66	100-90			89-80			79-70			69-60		59-0
67	100-94	93-90		89-85			84-75			74-70		69-0
68	100-90			89-80			79-70			69-65		64-0
69	100-93			92-85			84-77			76-70		69-0
70	100-93			92-84			83-75			74-70		69-0
71	100-90			89-80		79-76	75-70			69-60		59-0
72	100-90		89-85	84-80		79-75	74-70					69-0
73	Other numeric grading system - percent type											

VIII. Numeric - Percent Type												
Code	Grades Used											
Wt	4.0	3.7	3.3	3.0	2.7	2.3	2.0	1.7	1.3	1.0	0.7	0.0
74	4.0	3.7	3.3	3.0	2.7	2.3	2.0	1.7	1.3	1.0	0.7	0.0
77	1			2			3			4		5
79	4.0			3.0			2.0			1.0		0.0
80	1+,1	1-	2+	2	2-	3+	3	3-	4+	4	4-	5/6
81	3.0			2.0			1.0					0.0
82	Other numeric grading system - 4.0 or integer type											

IX. Numeric (4.0 type) Grading Systems using Halfstep Grades									
Code	Grades Used								
Wt	4.0	3.5	3.0	2.5	2.0	1.5	1.0	0.5	0.0
76	4.0	3.5	3.0	2.5	2.0	1.5	1.0	0.5	0.0
78	4.0	3.5	3.0	2.5	2.0		1.0		0.0
82	Other numeric grading system - 4.0 or integer type								
75	Continuous 4.0 scale (4.0 to 0.0)								

Appendix H – CourseAcademicGradeScaleCode (Continued)

<b>X. Numeric - Canadian Type</b>												
<b>Code</b>	<b>Grades Used</b>											
<b>Wt</b>	4.0	3.7	3.3	3.0	2.7	2.3	2.0	1.7	1.3	1.0	0.7	0.0
83	9	8	7		6	5		4	3			2,1
84	10,9	8	7		6	5		4	3	2	1	0
85	100-87	86-80	79-76	75-73	72-70	69-66	65-63	62-60	59-56	55-53	52-50	49-0
86	100-84	83-75	74-72	71-69	68-66	65-64	63-62	61-60	59-56	55-53	52-50	49-0
87	100-87	86-80	79-75	74-70	69-65	64-60	59-55	54-50				49-0
88	100-87	86-80	79-75	74-70	69-65	64-62	61-59	58-55	54-52	51-48	47-45	44-0
89	Other numeric grading system – Canadian											
99	Grading Scale Unknown											

<b>Appendix J: Relationship Codes used in Student.Person.ParentGuardian.RelationshipCode in this Implementation Guide</b>	
<b>Relationship Word Code</b>	<b>Explanation</b>
AdultOther	
AdoptedChild	
AdoptedDaughter	
AdoptedSon	
AdoptiveFather	
AdoptiveMother	
AdoptiveParent	
AgencyRepresentative	
Applicant	
Aunt	
AuthorizedDesignate	
Brother	
BrotherInLaw	
Business	
BusinessAssociate	
BusinessPartner	
Child	Dependent between the ages of 0 and 19; age qualifications may vary depending on policy
CollateralDependent	Relative related by blood or marriage who resides in the home and is dependent on the insured for a major portion of support
CommonLawSpouse	
CourtAppointedGuardian	
Cousin	
Daughter	
DaughterInLaw	
Dependent	
DependentOfMinorDependent	A child not legally of age who has been granted adult status
DomesticPartner	
EmancipatedMinor	A person who has been judged by a court of competent jurisdiction to be allowed to act in his or her own interest; no adult is legally responsible for this minor; this may be declared as a result of marriage
EmergencyContact	

<b>Appendix J: Relationship Codes used in Student.Person.ParentGuardian.RelationshipCode in this Implementation Guide</b>	
<b>Relationship Word Code</b>	<b>Explanation</b>
Employee	
Employer	
ExHusband	
ExSpouse	An ex-spouse of the person
ExWife	
Father	
FatherInLaw	
Fiance	Fiancé (Male)
Fiancee	Fiancée (Female)
FosterChild	
FosterDaughter	
FosterFather	
FosterMother	
FosterParent	
FosterSon	
Friend	
GodDaughter	
GodFather	
GodMother	
GodParent	
GodSon	
GrandChild	
GrandDaughter	
GrandFather	
GrandMother	
GrandParent	
GrandSon	
GreatAunt	
GreatUncle	
Guardian	An adult who is given legal responsibility for a child by a court
HalfBrother	
HalfSister	
HandicappedDependent	

<b>Appendix J: Relationship Codes used in Student.Person.ParentGuardian.RelationshipCode in this Implementation Guide</b>	
<b>Relationship Word Code</b>	<b>Explanation</b>
Husband	
LifePartner	
Mother	
MotherInLaw	
Neighbor	
Nephew	
Niece	
Other	
Parent	
Parents	The residence or legal custody of the student is with both parents
Partner	
RelationshipOther	
Relative	
Self	
Sibling	
SignificantOther	
Sister	
SisterInLaw	
Son	
SonInLaw	
Sponsor	
SponsoredDependent	Dependents between the ages of 19 and 25 not attending school; age qualifications may vary depending on policy
Spouse	
StepBrother	
StepChild	
StepDaughter	
StepFather	
StepMother	
StepParent	
StepSister	
StepSon	



<b>Appendix J: Relationship Codes used in Student.Person.ParentGuardian.RelationshipCode in this Implementation Guide</b>	
<b>Relationship Word Code</b>	<b>Explanation</b>
Student	Dependent between the ages of 19 and 25 attending school; age qualifications may vary depending on policy
Uncle	
Unknown	
Ward	
Widow	
Widower	
Wife	

Appendix L – Sample XML High School Transcript (with all courses taken at sending high school)

```
<?xml version="1.0" encoding="UTF-8"?>
<!--Sample XML file generated by XMLSPY v2011 (http://www.altova.com)-->
<HSTrn:HighSchoolTranscript xmlns:HSTrn="urn:org:pecs:message:HighSchoolTranscript:v1.3.0"
xmlns:AcRec="urn:org:pecs:sector:AcademicRecord:v1.7.0"
xmlns:core="urn:org:pecs:core:CoreMain:v1.12.0" xmlns:xsi="http://www.w3.org/2001/XMLSchema-
instance"
xsi:schemaLocation="urn:org:pecs:message:HighSchoolTranscript:v1.3.0
HighSchoolTranscript_v1.3.0.xsd">
  <TransmissionData>
    <DocumentID>2011-04-04-2316139</DocumentID>
    <CreatedDateTime>2011-04-04T09:30:47-05:00</CreatedDateTime>
    <DocumentTypeCode>StudentRequest</DocumentTypeCode>
    <TransmissionType>Original</TransmissionType>
    <Source>
      <Organization>
        <CEEBACT>440320</CEEBACT>
        <CCD>123456789012</CCD>
        <LocalOrganizationID>
          <LocalOrganizationIDCode>227901002</LocalOrganizationIDCode>
          <LocalOrganizationIDQualifier>TX</LocalOrganizationIDQualifier>
        </LocalOrganizationID>
        <OrganizationName>Austin High School</OrganizationName>
        <OrganizationName>Austin Independent School District</OrganizationName>
        <Contacts>
          <Address>
            <AddressLine>1715 W Cesar Chavez</AddressLine>
            <City>Austin</City>
            <StateProvinceCode>TX</StateProvinceCode>
            <PostalCode>78703</PostalCode>
            <EffectiveDate>2000-02-20</EffectiveDate>
            <ExpirationDate>2020-01-15</ExpirationDate>
          </Address>
          <Phone>
            <AreaCityCode>512</AreaCityCode>
            <PhoneNumber>4142505</PhoneNumber>
          </Phone>
          <FaxPhone>
            <AreaCityCode>512</AreaCityCode>
            <PhoneNumber>4747935</PhoneNumber>
          </FaxPhone>
        </Contacts>
        <Accreditation>
          <AccreditingBodyCode>SACS</AccreditingBodyCode>
          <AccreditingBodyName>Southern Association of Colleges and
Schools</AccreditingBodyName>
          <NoteMessage>Commission on Secondary Schools</NoteMessage>
        </Accreditation>
      </Organization>
    </Source>

    <Destination>
      <Organization>
```

```
<ATP>006882</ATP>
<FICE>123456</FICE>
<OrganizationName>THE UNIVERSITY OF TEXAS AT AUSTIN</OrganizationName>
<Contacts>
  <Address>
    <AddressLine>Office of Admissions</AddressLine>
    <City>Austin</City>
    <StateProvinceCode>TX</StateProvinceCode>
    <PostalCode>78712</PostalCode>
  </Address>
  <Phone>
    <AreaCityCode>512</AreaCityCode>
    <PhoneNumber>4757638</PhoneNumber>
  </Phone>
</Contacts>
</Organization>
</Destination>
</TransmissionData>
<Student>
  <Person>
    <SchoolAssignedPersonID>5555555</SchoolAssignedPersonID>
    <AgencyIdentifier>
      <AgencyAssignedID>33445566</AgencyAssignedID>
      <AgencyCode>State</AgencyCode>
      <AgencyName>Texas Education Agency</AgencyName>
      <StateProvinceCode>TX</StateProvinceCode>
    </AgencyIdentifier>
    <SSN>55555555</SSN>
    <Birth>
      <BirthDate>1987-07-20</BirthDate>
      <BirthState>TX</BirthState>
    </Birth>
    <Name>
      <NameCode>Legal</NameCode>
      <FirstName>John</FirstName>
      <MiddleName>T</MiddleName>
      <LastName>Student</LastName>
      <NameSuffix>IV</NameSuffix>
    </Name>
    <ParentGuardian>
      <Name>
        <NameCode>Legal</NameCode>
        <FirstName>John</FirstName>
        <MiddleName>T</MiddleName>
        <LastName>Student</LastName>
        <NameSuffix>III</NameSuffix>
      </Name>
      <RelationshipCode>Father</RelationshipCode>
    </ParentGuardian>
    <Contacts>
      <Address>
        <AddressLine>12345 Alamo Av</AddressLine>
        <City>AUSTIN</City>
        <StateProvinceCode>TX</StateProvinceCode>
        <PostalCode>78763</PostalCode>
      </Address>
    </Contacts>
  </Person>
</Student>
</TransmissionData>
```

```

        <ExpirationDate>2012-06-15</ExpirationDate>
    </Address>
    <Phone>
        <AreaCityCode>512</AreaCityCode>
        <PhoneNumber>8888888</PhoneNumber>
    </Phone>
</Contacts>
<Gender>
    <GenderCode>Male</GenderCode>
</Gender>

<EthnicityRace>
    <EthnicityCode>Hispanic</EthnicityCode>
    <RaceCode>White</RaceCode>
    <RaceCode>Asian</RaceCode>
</EthnicityRace>
</Person>
<AcademicRecord>
    <StudentLevel>
        <StudentLevelCode>Twelfth</StudentLevelCode>
    </StudentLevel>
    <AcademicAward>
        <AcademicAwardLevel>B18</AcademicAwardLevel>
        <AcademicAwardDate>2011-06-20</AcademicAwardDate>
        <AcademicAwardTitle>High School Diploma</AcademicAwardTitle>
        <AcademicCompletionIndicator>true</AcademicCompletionIndicator>
    </AcademicAward>
    <AcademicSummary>
        <AcademicSummaryType>All</AcademicSummaryType>
        <AcademicSummaryLevel>TwelfthGrade</AcademicSummaryLevel>
        <GPA>
            <GradePointAverage>4.0583</GradePointAverage>
            <GPARangeMinimum>0</GPARangeMinimum>
            <GPARangeMaximum>4.5</GPARangeMaximum>
        </GPA>
        <AcademicHonors>
            <HonorsTitle>Distinguished Senior</HonorsTitle>
            <HonorsLevel>FirstHighest</HonorsLevel>
        </AcademicHonors>
        <ClassRank>19</ClassRank>
        <ClassSize>357</ClassSize>
        <HighSchoolCreditSummary>
            <HighSchoolSubjectArea>
                <HighSchoolSubjectAreaCode>English</HighSchoolSubjectAreaCode>
                <HighSchoolSubjectAreaName>English Comp and
Grammar</HighSchoolSubjectAreaName>
                <CourseCreditUnits>CarnegieUnits</CourseCreditUnits>
                <CreditHoursRequired>4</CreditHoursRequired>
                <CourseCreditEarned>3</CourseCreditEarned>
                <CreditHoursDeficient>1</CreditHoursDeficient>
            </HighSchoolSubjectArea>
            <HighSchoolSubjectArea>
                <HighSchoolSubjectAreaCode>Math</HighSchoolSubjectAreaCode>
                <HighSchoolSubjectAreaName>Algebra, Trig, and
Geometry</HighSchoolSubjectAreaName>

```

```

        <CourseCreditUnits>CarnegieUnits</CourseCreditUnits>
        <CreditHoursRequired>4</CreditHoursRequired>
        <CourseCreditEarned>3</CourseCreditEarned>
        <CreditHoursDeficient>1</CreditHoursDeficient>
    </HighSchoolSubjectArea>
    <HighSchoolSubjectArea>
        <HighSchoolSubjectAreaCode>Science</HighSchoolSubjectAreaCode>
        <HighSchoolSubjectAreaName>Biology, Chemistry and
Physics</HighSchoolSubjectAreaName>
        <CourseCreditUnits>CarnegieUnits</CourseCreditUnits>
        <CreditHoursRequired>3</CreditHoursRequired>
        <CourseCreditEarned>2</CourseCreditEarned>
        <CreditHoursDeficient>1</CreditHoursDeficient>
    </HighSchoolSubjectArea>
    <HighSchoolSubjectArea>
        <HighSchoolSubjectAreaCode>HistorySocialScience</HighSchoolSubjectAreaCode>
        <HighSchoolSubjectAreaName>World Hist, US Hist, US
Const</HighSchoolSubjectAreaName>
        <CourseCreditUnits>CarnegieUnits</CourseCreditUnits>
        <CreditHoursRequired>2</CreditHoursRequired>
        <CourseCreditEarned>2</CourseCreditEarned>
        <CreditHoursDeficient>0</CreditHoursDeficient>
    </HighSchoolSubjectArea>
    <HighSchoolSubjectArea>
        <HighSchoolSubjectAreaCode>ForeignLanguage</HighSchoolSubjectAreaCode>
        <HighSchoolSubjectAreaName>Span, Frnch, Grmn, Mand
Chin</HighSchoolSubjectAreaName>
        <CourseCreditUnits>CarnegieUnits</CourseCreditUnits>
        <CreditHoursRequired>2</CreditHoursRequired>
        <CourseCreditEarned>1.5</CourseCreditEarned>
        <CreditHoursDeficient>0.5</CreditHoursDeficient>
    </HighSchoolSubjectArea>
    <HighSchoolSubjectArea>
        <HighSchoolSubjectAreaCode>AcademicElective</HighSchoolSubjectAreaCode>
        <HighSchoolSubjectAreaName>General Electives</HighSchoolSubjectAreaName>
        <CourseCreditUnits>CarnegieUnits</CourseCreditUnits>
        <CreditHoursRequired>5</CreditHoursRequired>
        <CourseCreditEarned>3.5</CourseCreditEarned>
        <CreditHoursDeficient>1.5</CreditHoursDeficient>
    </HighSchoolSubjectArea>
</HighSchoolCreditSummary>
<AcademicProgram>
    <ProgramSecondarySchoolCode>General</ProgramSecondarySchoolCode>
    <AcademicProgramName>Academic Program for Postsecondary
Transfer</AcademicProgramName>
</AcademicProgram>
</AcademicSummary>
<AcademicSession>
    <AcademicSessionDetail>
        <SessionDesignator>2001-06</SessionDesignator>
        <SessionName>Summer 2001</SessionName>
        <SessionType>Semester</SessionType>
    </AcademicSessionDetail>
    <StudentLevel>

```

```
        <StudentLevelCode>EighthGrade</StudentLevelCode>
    </StudentLevel>
    <Course>
        <CourseCreditBasis>Regular</CourseCreditBasis>
        <CourseCreditUnits>Semester</CourseCreditUnits>
        <CourseCreditValue>1</CourseCreditValue>
        <CourseCreditEarned>1</CourseCreditEarned>
        <CourseAcademicGradeScaleCode>65</CourseAcademicGradeScaleCode>
        <CourseAcademicGrade>90</CourseAcademicGrade>

    <CourseAcademicGradeStatusCode>HonorsGrade</CourseAcademicGradeStatusCode>
        <CourseSubjectAreaCode>Mathematics</CourseSubjectAreaCode>
        <CourseQualityPointsEarned>90</CourseQualityPointsEarned>
        <CourseNumber>013313H</CourseNumber>
        <CourseTitle>ALG1</CourseTitle>
    </Course>

    <Course>
        <CourseCreditBasis>Regular</CourseCreditBasis>
        <CourseCreditUnits>Semester</CourseCreditUnits>
        <CourseCreditValue>0.5</CourseCreditValue>
        <CourseCreditEarned>0.5</CourseCreditEarned>
        <CourseAcademicGradeScaleCode>65</CourseAcademicGradeScaleCode>
        <CourseAcademicGrade>95</CourseAcademicGrade>
        <CourseSubjectAreaCode>ForeignLanguageLiterature</CourseSubjectAreaCode>
        <CourseQualityPointsEarned>47.5</CourseQualityPointsEarned>
        <CourseNumber>012313R</CourseNumber>
        <CourseTitle>SPAN1</CourseTitle>
    </Course>

    <Course>
        <CourseCreditBasis>Regular</CourseCreditBasis>
        <CourseCreditUnits>Semester</CourseCreditUnits>
        <CourseCreditValue>0.5</CourseCreditValue>
        <CourseCreditEarned>0.5</CourseCreditEarned>
        <CourseAcademicGradeScaleCode>65</CourseAcademicGradeScaleCode>
        <CourseAcademicGrade>98</CourseAcademicGrade>
        <CourseSubjectAreaCode>ForeignLanguageLiterature</CourseSubjectAreaCode>
        <CourseQualityPointsEarned>49</CourseQualityPointsEarned>
        <CourseNumber>012313R</CourseNumber>
        <CourseTitle>SPAN1</CourseTitle>
    </Course>
</AcademicSession>

<AcademicSession>
    <AcademicSessionDetail>
        <SessionDesignator>2001-09</SessionDesignator>
        <SessionName>Fall2001</SessionName>
        <SessionType>Semester</SessionType>
    </AcademicSessionDetail>
    <StudentLevel>
        <StudentLevelCode>NinthGrade</StudentLevelCode>
    </StudentLevel>
    <Course>
        <CourseCreditBasis>Regular</CourseCreditBasis>
```

```
<CourseCreditUnits>Semester</CourseCreditUnits>
<CourseCreditValue>0.5</CourseCreditValue>
<CourseCreditEarned>0.5</CourseCreditEarned>
<CourseAcademicGradeScaleCode>65</CourseAcademicGradeScaleCode>
<CourseAcademicGrade>92</CourseAcademicGrade>

<CourseAcademicGradeStatusCode>HonorsGrade</CourseAcademicGradeStatusCode>
  <CourseSubjectAreaCode>EnglishLanguageLiterature</CourseSubjectAreaCode>
  <CourseQualityPointsEarned>46</CourseQualityPointsEarned>
  <CourseNumber>011013H</CourseNumber>
  <CourseTitle>ENG1</CourseTitle>
</Course>

<Course>
  <CourseCreditBasis>Regular</CourseCreditBasis>
  <CourseCreditUnits>Semester</CourseCreditUnits>
  <CourseCreditValue>0.5</CourseCreditValue>
  <CourseCreditEarned>0.5</CourseCreditEarned>
  <CourseAcademicGradeScaleCode>65</CourseAcademicGradeScaleCode>
  <CourseAcademicGrade>86</CourseAcademicGrade>

<CourseAcademicGradeStatusCode>HonorsGrade</CourseAcademicGradeStatusCode>
  <CourseSubjectAreaCode>Mathematics</CourseSubjectAreaCode>
  <CourseQualityPointsEarned>43</CourseQualityPointsEarned>
  <CourseNumber>013413H</CourseNumber>
  <CourseTitle>GEOM</CourseTitle>
</Course>

<Course>
  <CourseCreditBasis>Regular</CourseCreditBasis>
  <CourseCreditUnits>Semester</CourseCreditUnits>
  <CourseCreditValue>0.5</CourseCreditValue>
  <CourseCreditEarned>0.5</CourseCreditEarned>
  <CourseAcademicGradeScaleCode>65</CourseAcademicGradeScaleCode>
  <CourseAcademicGrade>91</CourseAcademicGrade>

<CourseAcademicGradeStatusCode>HonorsGrade</CourseAcademicGradeStatusCode>
  <CourseSubjectAreaCode>LifePhysicalSciences</CourseSubjectAreaCode>
  <CourseQualityPointsEarned>45.5</CourseQualityPointsEarned>
  <CourseNumber>014123H</CourseNumber>
  <CourseTitle>BIO</CourseTitle>
  <NoteMessage>6Science</NoteMessage>
</Course>

<Course>
  <CourseCreditBasis>Regular</CourseCreditBasis>
  <CourseCreditUnits>Semester</CourseCreditUnits>
  <CourseCreditValue>0.5</CourseCreditValue>
  <CourseCreditEarned>0.5</CourseCreditEarned>
  <CourseAcademicGradeScaleCode>65</CourseAcademicGradeScaleCode>
  <CourseAcademicGrade>93</CourseAcademicGrade>

<CourseAcademicGradeStatusCode>HonorsGrade</CourseAcademicGradeStatusCode>
  <CourseSubjectAreaCode>SocialSciencesHistory</CourseSubjectAreaCode>
  <CourseQualityPointsEarned>46.5</CourseQualityPointsEarned>
```

```
<CourseNumber>014513H</CourseNumber>
<CourseTitle>WGEO</CourseTitle>
</Course>

<Course>
  <CourseCreditBasis>Regular</CourseCreditBasis>
  <CourseCreditUnits>Semester</CourseCreditUnits>
  <CourseCreditValue>0.5</CourseCreditValue>
  <CourseCreditEarned>0.5</CourseCreditEarned>
  <CourseAcademicGradeScaleCode>65</CourseAcademicGradeScaleCode>
  <CourseAcademicGrade>97</CourseAcademicGrade>
  <CourseSubjectAreaCode>PhysicalHealthSafetyEducation</CourseSubjectAreaCode>
  <CourseQualityPointsEarned>48.5</CourseQualityPointsEarned>
  <CourseNumber>016931R</CourseNumber>
  <CourseTitle>HLTHED</CourseTitle>
</Course>

<Course>
  <CourseCreditBasis>Regular</CourseCreditBasis>
  <CourseCreditUnits>Semester</CourseCreditUnits>
  <CourseCreditValue>0.5</CourseCreditValue>
  <CourseCreditEarned>0.5</CourseCreditEarned>
  <CourseAcademicGradeScaleCode>65</CourseAcademicGradeScaleCode>
  <CourseAcademicGrade>100</CourseAcademicGrade>
  <CourseSubjectAreaCode>ForeignLanguageLiterature</CourseSubjectAreaCode>
  <CourseQualityPointsEarned>50</CourseQualityPointsEarned>
  <CourseNumber>012323R</CourseNumber>
  <CourseTitle>SPAN2</CourseTitle>
</Course>

<Course>
  <CourseCreditBasis>Regular</CourseCreditBasis>
  <CourseCreditUnits>Semester</CourseCreditUnits>
  <CourseCreditValue>0.5</CourseCreditValue>
  <CourseCreditEarned>0.5</CourseCreditEarned>
  <CourseAcademicGradeScaleCode>65</CourseAcademicGradeScaleCode>
  <CourseAcademicGrade>92</CourseAcademicGrade>
  <CourseSubjectAreaCode>FinePerformingArts</CourseSubjectAreaCode>
  <CourseQualityPointsEarned>46</CourseQualityPointsEarned>
  <CourseNumber>011643R</CourseNumber>
  <CourseTitle>TH1</CourseTitle>
</Course>
</AcademicSession>

<AcademicSession>
  <AcademicSessionDetail>
    <SessionDesignator>2002-01</SessionDesignator>
    <SessionName>Spring 2002</SessionName>
    <SessionType>Semester</SessionType>
  </AcademicSessionDetail>
  <StudentLevel>
    <StudentLevelCode>NinthGrade</StudentLevelCode>
  </StudentLevel>
  <Course>
    <CourseCreditBasis>Regular</CourseCreditBasis>
```



```
<CourseCreditUnits>Semester</CourseCreditUnits>
<CourseCreditValue>0.5</CourseCreditValue>
<CourseCreditEarned>0.5</CourseCreditEarned>
<CourseAcademicGradeScaleCode>65</CourseAcademicGradeScaleCode>
<CourseAcademicGrade>93</CourseAcademicGrade>

<CourseAcademicGradeStatusCode>HonorsGrade</CourseAcademicGradeStatusCode>
  <CourseSubjectAreaCode>EnglishLanguageLiterature</CourseSubjectAreaCode>
  <CourseQualityPointsEarned>46.5</CourseQualityPointsEarned>
  <CourseNumber>011013H</CourseNumber>
  <CourseTitle>ENG1</CourseTitle>
</Course>

<Course>
  <CourseCreditBasis>Regular</CourseCreditBasis>
  <CourseCreditUnits>Semester</CourseCreditUnits>
  <CourseCreditValue>0.5</CourseCreditValue>
  <CourseCreditEarned>0.5</CourseCreditEarned>
  <CourseAcademicGradeScaleCode>65</CourseAcademicGradeScaleCode>
  <CourseAcademicGrade>79</CourseAcademicGrade>

<CourseAcademicGradeStatusCode>HonorsGrade</CourseAcademicGradeStatusCode>
  <CourseSubjectAreaCode>Mathematics</CourseSubjectAreaCode>
  <CourseQualityPointsEarned>39.5</CourseQualityPointsEarned>
  <CourseNumber>013413H</CourseNumber>
  <CourseTitle>GEOM</CourseTitle>
</Course>

<Course>
  <CourseCreditBasis>Regular</CourseCreditBasis>
  <CourseCreditUnits>Semester</CourseCreditUnits>
  <CourseCreditValue>0.5</CourseCreditValue>
  <CourseCreditEarned>0.5</CourseCreditEarned>
  <CourseAcademicGradeScaleCode>65</CourseAcademicGradeScaleCode>
  <CourseAcademicGrade>92</CourseAcademicGrade>

<CourseAcademicGradeStatusCode>HonorsGrade</CourseAcademicGradeStatusCode>
  <CourseSubjectAreaCode>LifePhysicalSciences</CourseSubjectAreaCode>
  <CourseQualityPointsEarned>46</CourseQualityPointsEarned>
  <CourseNumber>014123H</CourseNumber>
  <CourseTitle>BIO</CourseTitle>
</Course>

<Course>
  <CourseCreditBasis>Regular</CourseCreditBasis>
  <CourseCreditUnits>Semester</CourseCreditUnits>
  <CourseCreditValue>0.5</CourseCreditValue>
  <CourseCreditEarned>0.5</CourseCreditEarned>
  <CourseAcademicGradeScaleCode>65</CourseAcademicGradeScaleCode>
  <CourseAcademicGrade>98</CourseAcademicGrade>

<CourseAcademicGradeStatusCode>HonorsGrade</CourseAcademicGradeStatusCode>
  <CourseSubjectAreaCode>SocialSciencesHistory</CourseSubjectAreaCode>
  <CourseQualityPointsEarned>49</CourseQualityPointsEarned>
  <CourseNumber>014513H</CourseNumber>
```

```
<CourseTitle>WGEO</CourseTitle>
</Course>

<Course>
  <CourseCreditBasis>Regular</CourseCreditBasis>
  <CourseCreditUnits>Semester</CourseCreditUnits>
  <CourseCreditValue>0.5</CourseCreditValue>
  <CourseCreditEarned>0.5</CourseCreditEarned>
  <CourseAcademicGradeScaleCode>65</CourseAcademicGradeScaleCode>
  <CourseAcademicGrade>100</CourseAcademicGrade>
  <CourseSubjectAreaCode>PhysicalHealthSafetyEducation</CourseSubjectAreaCode>
  <CourseQualityPointsEarned>50</CourseQualityPointsEarned>
  <CourseNumber>016919R</CourseNumber>
  <CourseTitle>PEEQ1</CourseTitle>
</Course>

<Course>
  <CourseCreditBasis>Regular</CourseCreditBasis>
  <CourseCreditUnits>Semester</CourseCreditUnits>
  <CourseCreditValue>0.5</CourseCreditValue>
  <CourseCreditEarned>0.5</CourseCreditEarned>
  <CourseAcademicGradeScaleCode>65</CourseAcademicGradeScaleCode>
  <CourseAcademicGrade>99</CourseAcademicGrade>
  <CourseSubjectAreaCode>ForeignLanguageLiterature</CourseSubjectAreaCode>
  <CourseQualityPointsEarned>49.5</CourseQualityPointsEarned>
  <CourseNumber>012323R</CourseNumber>
  <CourseTitle>SPAN2</CourseTitle>
</Course>

<Course>
  <CourseCreditBasis>Regular</CourseCreditBasis>
  <CourseCreditUnits>Semester</CourseCreditUnits>
  <CourseCreditValue>0.5</CourseCreditValue>
  <CourseCreditEarned>0.5</CourseCreditEarned>
  <CourseAcademicGradeScaleCode>65</CourseAcademicGradeScaleCode>
  <CourseAcademicGrade>90</CourseAcademicGrade>
  <CourseSubjectAreaCode>FinePerformingArts</CourseSubjectAreaCode>
  <CourseQualityPointsEarned>45</CourseQualityPointsEarned>
  <CourseNumber>011643R</CourseNumber>
  <CourseTitle>TH1</CourseTitle>
</Course>
</AcademicSession>

<AcademicSession>
  <AcademicSessionDetail>
    <SessionDesignator>2002-09</SessionDesignator>
    <SessionName>Fall2002</SessionName>
    <SessionType>Semester</SessionType>
  </AcademicSessionDetail>
  <StudentLevel>
    <StudentLevelCode>TenthGrade</StudentLevelCode>
  </StudentLevel>
  <Course>
    <CourseCreditBasis>Regular</CourseCreditBasis>
    <CourseCreditUnits>Semester</CourseCreditUnits>
```

```
<CourseCreditValue>0.5</CourseCreditValue>
<CourseCreditEarned>0.5</CourseCreditEarned>
<CourseAcademicGradeScaleCode>65</CourseAcademicGradeScaleCode>
<CourseAcademicGrade>93</CourseAcademicGrade>

<CourseAcademicGradeStatusCode>HonorsGrade</CourseAcademicGradeStatusCode>
  <CourseSubjectAreaCode>EnglishLanguageLiterature</CourseSubjectAreaCode>
  <CourseQualityPointsEarned>46.5</CourseQualityPointsEarned>
  <CourseNumber>011023H</CourseNumber>
  <CourseTitle>ENG2</CourseTitle>
</Course>

<Course>
  <CourseCreditBasis>Regular</CourseCreditBasis>
  <CourseCreditUnits>Semester</CourseCreditUnits>
  <CourseCreditValue>0.5</CourseCreditValue>
  <CourseCreditEarned>0.5</CourseCreditEarned>
  <CourseAcademicGradeScaleCode>65</CourseAcademicGradeScaleCode>
  <CourseAcademicGrade>85</CourseAcademicGrade>

<CourseAcademicGradeStatusCode>HonorsGrade</CourseAcademicGradeStatusCode>
  <CourseSubjectAreaCode>Mathematics</CourseSubjectAreaCode>
  <CourseQualityPointsEarned>42.5</CourseQualityPointsEarned>
  <CourseNumber>013323H</CourseNumber>
  <CourseTitle>ALG2</CourseTitle>
</Course>

<Course>
  <CourseCreditBasis>Regular</CourseCreditBasis>
  <CourseCreditUnits>Semester</CourseCreditUnits>
  <CourseCreditValue>0.5</CourseCreditValue>
  <CourseCreditEarned>0.5</CourseCreditEarned>
  <CourseAcademicGradeScaleCode>65</CourseAcademicGradeScaleCode>
  <CourseAcademicGrade>92</CourseAcademicGrade>

<CourseAcademicGradeStatusCode>HonorsGrade</CourseAcademicGradeStatusCode>
  <CourseSubjectAreaCode>LifePhysicalSciences</CourseSubjectAreaCode>
  <CourseQualityPointsEarned>46</CourseQualityPointsEarned>
  <CourseNumber>014323H</CourseNumber>
  <CourseTitle>CHEM</CourseTitle>
</Course>

<Course>
  <CourseCreditBasis>Regular</CourseCreditBasis>
  <CourseCreditUnits>Semester</CourseCreditUnits>
  <CourseCreditValue>0.5</CourseCreditValue>
  <CourseCreditEarned>0.5</CourseCreditEarned>
  <CourseAcademicGradeScaleCode>65</CourseAcademicGradeScaleCode>
  <CourseAcademicGrade>96</CourseAcademicGrade>

<CourseAcademicGradeStatusCode>HonorsGrade</CourseAcademicGradeStatusCode>
  <CourseSubjectAreaCode>SocialSciencesHistory</CourseSubjectAreaCode>
  <CourseQualityPointsEarned>48</CourseQualityPointsEarned>
  <CourseNumber>014623H</CourseNumber>
  <CourseTitle>WHIST</CourseTitle>
```

```
</Course>

<Course>
  <CourseCreditBasis>Regular</CourseCreditBasis>
  <CourseCreditUnits>Semester</CourseCreditUnits>
  <CourseCreditValue>0.5</CourseCreditValue>
  <CourseCreditEarned>0.5</CourseCreditEarned>
  <CourseAcademicGradeScaleCode>65</CourseAcademicGradeScaleCode>
  <CourseAcademicGrade>100</CourseAcademicGrade>
  <CourseSubjectAreaCode>PhysicalHealthSafetyEducation</CourseSubjectAreaCode>
  <CourseQualityPointsEarned>50</CourseQualityPointsEarned>
  <CourseNumber>26919R1</CourseNumber>
  <CourseTitle>PEEQ3</CourseTitle>
</Course>

<Course>
  <CourseCreditBasis>Regular</CourseCreditBasis>
  <CourseCreditUnits>Semester</CourseCreditUnits>
  <CourseCreditValue>0.5</CourseCreditValue>
  <CourseCreditEarned>0.5</CourseCreditEarned>
  <CourseAcademicGradeScaleCode>65</CourseAcademicGradeScaleCode>
  <CourseAcademicGrade>94</CourseAcademicGrade>
  <CourseAcademicGradeStatusCode>HonorsGrade</CourseAcademicGradeStatusCode>
  <CourseSubjectAreaCode>ForeignLanguageLiterature</CourseSubjectAreaCode>
  <CourseQualityPointsEarned>47</CourseQualityPointsEarned>
  <CourseNumber>012333H</CourseNumber>
  <CourseTitle>SPAN3</CourseTitle>
</Course>

<Course>
  <CourseCreditBasis>HighSchoolDualCredit</CourseCreditBasis>
  <CourseCreditUnits>Semester</CourseCreditUnits>
  <CourseCreditValue>0.5</CourseCreditValue>
  <CourseCreditEarned>0.5</CourseCreditEarned>
  <CourseAcademicGradeScaleCode>65</CourseAcademicGradeScaleCode>
  <CourseAcademicGrade>98</CourseAcademicGrade>
  <CourseSubjectAreaCode>EngineeringTechnology</CourseSubjectAreaCode>
  <CourseQualityPointsEarned>49</CourseQualityPointsEarned>
  <CourseNumber>28193$0</CourseNumber>
  <CourseTitle>BEGBCIS1</CourseTitle>
</Course>
</AcademicSession>

<AcademicSession>
  <AcademicSessionDetail>
    <SessionDesignator>2003-01</SessionDesignator>
    <SessionName>Spring 2003</SessionName>
    <SessionType>Semester</SessionType>
  </AcademicSessionDetail>
  <StudentLevel>
    <StudentLevelCode>TenthGrade</StudentLevelCode>
  </StudentLevel>
  <Course>
    <CourseCreditBasis>Regular</CourseCreditBasis>
```

```
<CourseCreditUnits>Semester</CourseCreditUnits>
<CourseCreditValue>0.5</CourseCreditValue>
<CourseCreditEarned>0.5</CourseCreditEarned>
<CourseAcademicGradeScaleCode>65</CourseAcademicGradeScaleCode>
<CourseAcademicGrade>96</CourseAcademicGrade>

<CourseAcademicGradeStatusCode>HonorsGrade</CourseAcademicGradeStatusCode>
  <CourseSubjectAreaCode>EnglishLanguageLiterature</CourseSubjectAreaCode>
  <CourseQualityPointsEarned>48</CourseQualityPointsEarned>
  <CourseNumber>011023H</CourseNumber>
  <CourseTitle>ENG2</CourseTitle>
</Course>

<Course>
  <CourseCreditBasis>Regular</CourseCreditBasis>
  <CourseCreditUnits>Semester</CourseCreditUnits>
  <CourseCreditValue>0.5</CourseCreditValue>
  <CourseCreditEarned>0.5</CourseCreditEarned>
  <CourseAcademicGradeScaleCode>65</CourseAcademicGradeScaleCode>
  <CourseAcademicGrade>83</CourseAcademicGrade>

<CourseAcademicGradeStatusCode>HonorsGrade</CourseAcademicGradeStatusCode>
  <CourseSubjectAreaCode>Mathematics</CourseSubjectAreaCode>
  <CourseQualityPointsEarned>41.5</CourseQualityPointsEarned>
  <CourseNumber>013323H</CourseNumber>
  <CourseTitle>ALG2</CourseTitle>
</Course>

<Course>
  <CourseCreditBasis>Regular</CourseCreditBasis>
  <CourseCreditUnits>Semester</CourseCreditUnits>
  <CourseCreditValue>0.5</CourseCreditValue>
  <CourseCreditEarned>0.5</CourseCreditEarned>
  <CourseAcademicGradeScaleCode>65</CourseAcademicGradeScaleCode>
  <CourseAcademicGrade>91</CourseAcademicGrade>

<CourseAcademicGradeStatusCode>HonorsGrade</CourseAcademicGradeStatusCode>
  <CourseSubjectAreaCode>LifePhysicalSciences</CourseSubjectAreaCode>
  <CourseQualityPointsEarned>45.5</CourseQualityPointsEarned>
  <CourseNumber>014323H</CourseNumber>
  <CourseTitle>CHEM</CourseTitle>
</Course>

<Course>
  <CourseCreditBasis>Regular</CourseCreditBasis>
  <CourseCreditUnits>Semester</CourseCreditUnits>
  <CourseCreditValue>0.5</CourseCreditValue>
  <CourseCreditEarned>0.5</CourseCreditEarned>
  <CourseAcademicGradeScaleCode>65</CourseAcademicGradeScaleCode>
  <CourseAcademicGrade>97</CourseAcademicGrade>

<CourseAcademicGradeStatusCode>HonorsGrade</CourseAcademicGradeStatusCode>
  <CourseSubjectAreaCode>SocialSciencesHistory</CourseSubjectAreaCode>
  <CourseQualityPointsEarned>48.5</CourseQualityPointsEarned>
  <CourseNumber>014623H</CourseNumber>
```

```
<CourseTitle>WHIST</CourseTitle>
</Course>

<Course>
  <CourseCreditBasis>Regular</CourseCreditBasis>
  <CourseCreditUnits>Semester</CourseCreditUnits>
  <CourseCreditValue>0.5</CourseCreditValue>
  <CourseCreditEarned>0.5</CourseCreditEarned>
  <CourseAcademicGradeScaleCode>65</CourseAcademicGradeScaleCode>
  <CourseAcademicGrade>100</CourseAcademicGrade>
  <CourseSubjectAreaCode>PhysicalHealthSafetyEducation</CourseSubjectAreaCode>
  <CourseQualityPointsEarned>50</CourseQualityPointsEarned>
  <CourseNumber>26919R1</CourseNumber>
  <CourseTitle>PEEQ3</CourseTitle>
  <NoteMessage>7P.E./Equivalent</NoteMessage>
</Course>

<Course>
  <CourseCreditBasis>Regular</CourseCreditBasis>
  <CourseCreditUnits>Semester</CourseCreditUnits>
  <CourseCreditValue>0.5</CourseCreditValue>
  <CourseCreditEarned>0.5</CourseCreditEarned>
  <CourseAcademicGradeScaleCode>65</CourseAcademicGradeScaleCode>
  <CourseAcademicGrade>94</CourseAcademicGrade>

  <CourseAcademicGradeStatusCode>HonorsGrade</CourseAcademicGradeStatusCode>
  <CourseSubjectAreaCode>ForeignLanguageLiterature</CourseSubjectAreaCode>
  <CourseQualityPointsEarned>47</CourseQualityPointsEarned>
  <CourseNumber>012333H</CourseNumber>
  <CourseTitle>SPAN3</CourseTitle>
</Course>

<Course>
  <CourseCreditBasis>HighSchoolDualCredit</CourseCreditBasis>
  <CourseCreditUnits>Semester</CourseCreditUnits>
  <CourseCreditValue>0.5</CourseCreditValue>
  <CourseCreditEarned>0.5</CourseCreditEarned>
  <CourseAcademicGradeScaleCode>65</CourseAcademicGradeScaleCode>
  <CourseAcademicGrade>96</CourseAcademicGrade>
  <CourseSubjectAreaCode>EngineeringTechnology</CourseSubjectAreaCode>
  <CourseQualityPointsEarned>48</CourseQualityPointsEarned>
  <CourseNumber>2819340</CourseNumber>
  <CourseTitle>BEGBCIS1</CourseTitle>
</Course>
</AcademicSession>

<AcademicSession>
  <AcademicSessionDetail>
    <SessionDesignator>2003-09</SessionDesignator>
    <SessionName>Fall2003</SessionName>
    <SessionType>Semester</SessionType>
  </AcademicSessionDetail>
  <StudentLevel>
    <StudentLevelCode>EleventhGrade</StudentLevelCode>
  </StudentLevel>
</AcademicSession>
```

```
<Course>
  <CourseCreditBasis>AdvancedPlacement</CourseCreditBasis>
  <CourseCreditUnits>Semester</CourseCreditUnits>
  <CourseCreditValue>0.5</CourseCreditValue>
  <CourseCreditEarned>0.5</CourseCreditEarned>
  <CourseAcademicGradeScaleCode>65</CourseAcademicGradeScaleCode>
  <CourseAcademicGrade>93</CourseAcademicGrade>
  <CourseSubjectAreaCode>EnglishLanguageLiterature</CourseSubjectAreaCode>
  <CourseQualityPointsEarned>46.5</CourseQualityPointsEarned>
  <CourseNumber>011054P</CourseNumber>
  <CourseTitle>APENGLAN</CourseTitle>
</Course>

<Course>
  <CourseCreditBasis>Regular</CourseCreditBasis>
  <CourseCreditUnits>Semester</CourseCreditUnits>
  <CourseCreditValue>0.5</CourseCreditValue>
  <CourseCreditEarned>0.5</CourseCreditEarned>
  <CourseAcademicGradeScaleCode>65</CourseAcademicGradeScaleCode>
  <CourseAcademicGrade>88</CourseAcademicGrade>

<CourseAcademicGradeStatusCode>HonorsGrade</CourseAcademicGradeStatusCode>
  <CourseSubjectAreaCode>Mathematics</CourseSubjectAreaCode>
  <CourseQualityPointsEarned>44</CourseQualityPointsEarned>
  <CourseNumber>013633H</CourseNumber>
  <CourseTitle>PRECALC</CourseTitle>
</Course>

<Course>
  <CourseCreditBasis>Regular</CourseCreditBasis>
  <CourseCreditUnits>Semester</CourseCreditUnits>
  <CourseCreditValue>0.5</CourseCreditValue>
  <CourseCreditEarned>0.5</CourseCreditEarned>
  <CourseAcademicGradeScaleCode>65</CourseAcademicGradeScaleCode>
  <CourseAcademicGrade>90</CourseAcademicGrade>

<CourseAcademicGradeStatusCode>HonorsGrade</CourseAcademicGradeStatusCode>
  <CourseSubjectAreaCode>LifePhysicalSciences</CourseSubjectAreaCode>
  <CourseQualityPointsEarned>45</CourseQualityPointsEarned>
  <CourseNumber>014424H</CourseNumber>
  <CourseTitle>PHYSICS</CourseTitle>
</Course>

<Course>
  <CourseCreditBasis>AdvancedPlacement</CourseCreditBasis>
  <CourseCreditUnits>Semester</CourseCreditUnits>
  <CourseCreditValue>0.5</CourseCreditValue>
  <CourseCreditEarned>0.5</CourseCreditEarned>
  <CourseAcademicGradeScaleCode>65</CourseAcademicGradeScaleCode>
  <CourseAcademicGrade>98</CourseAcademicGrade>
  <CourseSubjectAreaCode>SocialSciencesHistory</CourseSubjectAreaCode>
  <CourseQualityPointsEarned>49</CourseQualityPointsEarned>
  <CourseNumber>014735P</CourseNumber>
  <CourseTitle>APUSHIST</CourseTitle>
</Course>
```

```
<Course>
  <CourseCreditBasis>AdvancedPlacement</CourseCreditBasis>
  <CourseCreditUnits>Semester</CourseCreditUnits>
  <CourseCreditValue>0.5</CourseCreditValue>
  <CourseCreditEarned>0.5</CourseCreditEarned>
  <CourseAcademicGradeScaleCode>65</CourseAcademicGradeScaleCode>
  <CourseAcademicGrade>97</CourseAcademicGrade>
  <CourseSubjectAreaCode>ForeignLanguageLiterature</CourseSubjectAreaCode>
  <CourseQualityPointsEarned>48.5</CourseQualityPointsEarned>
  <CourseNumber>012394P</CourseNumber>
  <CourseTitle>APSPALAN</CourseTitle>
</Course>

<Course>
  <CourseCreditBasis>Regular</CourseCreditBasis>
  <CourseCreditUnits>Semester</CourseCreditUnits>
  <CourseCreditValue>0.5</CourseCreditValue>
  <CourseCreditEarned>0.5</CourseCreditEarned>
  <CourseAcademicGradeScaleCode>65</CourseAcademicGradeScaleCode>
  <CourseAcademicGrade>P</CourseAcademicGrade>
  <CourseSubjectAreaCode>Miscellaneous</CourseSubjectAreaCode>
  <CourseQualityPointsEarned>0</CourseQualityPointsEarned>
  <CourseNumber>011448F</CourseNumber>
  <CourseTitle>INDENG</CourseTitle>
  <NoteMessage>9OtherElectives</NoteMessage>
</Course>

<Course>
  <CourseCreditBasis>AdvancedPlacement</CourseCreditBasis>
  <CourseCreditUnits>Semester</CourseCreditUnits>
  <CourseCreditValue>0.5</CourseCreditValue>
  <CourseCreditEarned>0.5</CourseCreditEarned>
  <CourseAcademicGradeScaleCode>65</CourseAcademicGradeScaleCode>
  <CourseAcademicGrade>99</CourseAcademicGrade>
  <CourseSubjectAreaCode>HumanServices</CourseSubjectAreaCode>
  <CourseQualityPointsEarned>49.5</CourseQualityPointsEarned>
  <CourseNumber>014940P</CourseNumber>
  <CourseTitle>APPSYCH</CourseTitle>
  <NoteMessage>9OtherElectives</NoteMessage>
</Course>
</AcademicSession>

<AcademicSession>
  <AcademicSessionDetail>
    <SessionDesignator>2004-01</SessionDesignator>
    <SessionName>Spring2004</SessionName>
    <SessionType>Semester</SessionType>
  </AcademicSessionDetail>
  <StudentLevel>
    <StudentLevelCode>EleventhGrade</StudentLevelCode>
  </StudentLevel>
  <Course>
    <CourseCreditBasis>AdvancedPlacement</CourseCreditBasis>
    <CourseCreditUnits>Semester</CourseCreditUnits>
```



```
<CourseCreditValue>0.5</CourseCreditValue>
<CourseCreditEarned>0.5</CourseCreditEarned>
<CourseAcademicGradeScaleCode>65</CourseAcademicGradeScaleCode>
<CourseAcademicGrade>95</CourseAcademicGrade>
<CourseSubjectAreaCode>EnglishLanguageLiterature</CourseSubjectAreaCode>
<CourseQualityPointsEarned>47.5</CourseQualityPointsEarned>
<CourseNumber>011054P</CourseNumber>
<CourseTitle>APENGLAN</CourseTitle>
</Course>

<Course>
  <CourseCreditBasis>Regular</CourseCreditBasis>
  <CourseCreditUnits>Semester</CourseCreditUnits>
  <CourseCreditValue>0.5</CourseCreditValue>
  <CourseCreditEarned>0.5</CourseCreditEarned>
  <CourseAcademicGradeScaleCode>65</CourseAcademicGradeScaleCode>
  <CourseAcademicGrade>83</CourseAcademicGrade>

  <CourseAcademicGradeStatusCode>HonorsGrade</CourseAcademicGradeStatusCode>
  <CourseSubjectAreaCode>Mathematics</CourseSubjectAreaCode>
<CourseQualityPointsEarned>41.5</CourseQualityPointsEarned>
  <CourseNumber>013633H</CourseNumber>
  <CourseTitle>PRECALC</CourseTitle>
</Course>

<Course>
  <CourseCreditBasis>Regular</CourseCreditBasis>
  <CourseCreditUnits>Semester</CourseCreditUnits>
  <CourseCreditValue>0.5</CourseCreditValue>
  <CourseCreditEarned>0.5</CourseCreditEarned>
  <CourseAcademicGradeScaleCode>65</CourseAcademicGradeScaleCode>
  <CourseAcademicGrade>95</CourseAcademicGrade>

  <CourseAcademicGradeStatusCode>HonorsGrade</CourseAcademicGradeStatusCode>
  <CourseSubjectAreaCode>LifePhysicalSciences</CourseSubjectAreaCode>
  <CourseQualityPointsEarned>47.5</CourseQualityPointsEarned>
  <CourseNumber>014424H</CourseNumber>
  <CourseTitle>PHYSICS</CourseTitle>
</Course>

<Course>
  <CourseCreditBasis>AdvancedPlacement</CourseCreditBasis>
  <CourseCreditUnits>Semester</CourseCreditUnits>
  <CourseCreditValue>0.5</CourseCreditValue>
  <CourseCreditEarned>0.5</CourseCreditEarned>
  <CourseAcademicGradeScaleCode>65</CourseAcademicGradeScaleCode>
  <CourseAcademicGrade>98</CourseAcademicGrade>
  <CourseSubjectAreaCode>SocialSciencesHistory</CourseSubjectAreaCode>
  <CourseQualityPointsEarned>49</CourseQualityPointsEarned>
  <CourseNumber>014735P</CourseNumber>
  <CourseTitle>APUSHIST</CourseTitle>

</Course>

<Course>
```

```
<CourseCreditBasis>AdvancedPlacement</CourseCreditBasis>
<CourseCreditUnits>Semester</CourseCreditUnits>
<CourseCreditValue>0.5</CourseCreditValue>
<CourseCreditEarned>0.5</CourseCreditEarned>
<CourseAcademicGradeScaleCode>65</CourseAcademicGradeScaleCode>
<CourseAcademicGrade>98</CourseAcademicGrade>
<CourseSubjectAreaCode>ForeignLanguageLiterature</CourseSubjectAreaCode>
<CourseQualityPointsEarned>49</CourseQualityPointsEarned>
<CourseNumber>012394P</CourseNumber>
<CourseTitle>APSPALAN</CourseTitle>
</Course>

<Course>
  <CourseCreditBasis>Regular</CourseCreditBasis>
  <CourseCreditUnits>Semester</CourseCreditUnits>
  <CourseCreditValue>0.5</CourseCreditValue>
  <CourseCreditEarned>0.5</CourseCreditEarned>
  <CourseAcademicGradeScaleCode>65</CourseAcademicGradeScaleCode>
  <CourseAcademicGrade>P</CourseAcademicGrade>
  <CourseSubjectAreaCode>SocialSciencesHistory</CourseSubjectAreaCode>
  <CourseQualityPointsEarned>0</CourseQualityPointsEarned>
  <CourseNumber>014931F</CourseNumber>
  <CourseTitle>SOC</CourseTitle>
  <NoteMessage>9OtherElectives</NoteMessage> </Course>

<Course>
  <CourseCreditBasis>Regular</CourseCreditBasis>
  <CourseCreditUnits>Semester</CourseCreditUnits>
  <CourseCreditValue>0.5</CourseCreditValue>
  <CourseCreditEarned>0.5</CourseCreditEarned>
  <CourseAcademicGradeScaleCode>65</CourseAcademicGradeScaleCode>
  <CourseAcademicGrade>96</CourseAcademicGrade>
  <CourseSubjectAreaCode>Miscellaneous</CourseSubjectAreaCode>
  <CourseQualityPointsEarned>48</CourseQualityPointsEarned>
  <CourseNumber>24932R2</CourseNumber>
  <CourseTitle>SPTSS</CourseTitle>
  <NoteMessage>9OtherElectives</NoteMessage>
</Course>
</AcademicSession>

<AcademicSession>
  <AcademicSessionDetail>
    <SessionDesignator>2004-09</SessionDesignator>
    <SessionName>Fall2004</SessionName>
    <SessionType>Semester</SessionType>
  </AcademicSessionDetail>
  <StudentLevel>
    <StudentLevelCode>TwelfthGrade</StudentLevelCode>
  </StudentLevel>
  <Course>
    <CourseCreditBasis>AdvancedPlacement</CourseCreditBasis>
    <CourseCreditUnits>Semester</CourseCreditUnits>
    <CourseCreditValue>0.5</CourseCreditValue>
    <CourseCreditEarned>0.5</CourseCreditEarned>
    <CourseAcademicGradeScaleCode>65</CourseAcademicGradeScaleCode>
```

```
<CourseAcademicGrade>91</CourseAcademicGrade>
<CourseSubjectAreaCode>EnglishLanguageLiterature</CourseSubjectAreaCode>
<CourseQualityPointsEarned>45.5</CourseQualityPointsEarned>
<CourseNumber>1043.P000.A</CourseNumber>
<CourseTitle>APENGLIT</CourseTitle>
</Course>

<Course>
  <CourseCreditBasis>Regular</CourseCreditBasis>
  <CourseCreditUnits>Semester</CourseCreditUnits>
  <CourseCreditValue>0.5</CourseCreditValue>
  <CourseCreditEarned>0.5</CourseCreditEarned>
  <CourseAcademicGradeScaleCode>65</CourseAcademicGradeScaleCode>
  <CourseAcademicGrade>95</CourseAcademicGrade>
  <CourseSubjectAreaCode>EnglishLanguageLiterature</CourseSubjectAreaCode>
  <CourseQualityPointsEarned>47.5</CourseQualityPointsEarned>
  <CourseNumber>1525.R000.X</CourseNumber>
  <CourseTitle>COMMAPP</CourseTitle>
  <NoteMessage>FSpeech</NoteMessage>
</Course>

<Course>
  <CourseCreditBasis>AdvancedPlacement</CourseCreditBasis>
  <CourseCreditUnits>Semester</CourseCreditUnits>
  <CourseCreditValue>0.5</CourseCreditValue>
  <CourseCreditEarned>0.5</CourseCreditEarned>
  <CourseAcademicGradeScaleCode>65</CourseAcademicGradeScaleCode>
  <CourseAcademicGrade>86</CourseAcademicGrade>
  <CourseSubjectAreaCode>Mathematics</CourseSubjectAreaCode>
  <CourseQualityPointsEarned>43</CourseQualityPointsEarned>
  <CourseNumber>3616.P000.A</CourseNumber>
  <CourseTitle>APCALCBC</CourseTitle>
</Course>

<Course>
  <CourseCreditBasis>Regular</CourseCreditBasis>
  <CourseCreditUnits>Semester</CourseCreditUnits>
  <CourseCreditValue>0.5</CourseCreditValue>
  <CourseCreditEarned>0.5</CourseCreditEarned>
  <CourseAcademicGradeScaleCode>65</CourseAcademicGradeScaleCode>
  <CourseAcademicGrade>96</CourseAcademicGrade>

<CourseAcademicGradeStatusCode>HonorsGrade</CourseAcademicGradeStatusCode>
<CourseSubjectAreaCode>LifePhysicalSciences</CourseSubjectAreaCode>
<CourseQualityPointsEarned>48</CourseQualityPointsEarned>
<CourseNumber>4135.H000.A</CourseNumber>
<CourseTitle>ANAT\PHY</CourseTitle>
</Course>

<Course>
  <CourseCreditBasis>AdvancedPlacement</CourseCreditBasis>
  <CourseCreditUnits>Semester</CourseCreditUnits>
  <CourseCreditValue>0.5</CourseCreditValue>
  <CourseCreditEarned>0.5</CourseCreditEarned>
  <CourseAcademicGradeScaleCode>65</CourseAcademicGradeScaleCode>
```

```
<CourseAcademicGrade>P</CourseAcademicGrade>
<CourseSubjectAreaCode>LifePhysicalSciences</CourseSubjectAreaCode>
<CourseQualityPointsEarned>0</CourseQualityPointsEarned>
<CourseNumber>4137.F000.A</CourseNumber>
<CourseTitle>AP-BIO</CourseTitle>
</Course>

<Course>
<CourseCreditBasis>Regular</CourseCreditBasis>
<CourseCreditUnits>Semester</CourseCreditUnits>
<CourseCreditValue>0.5</CourseCreditValue>
<CourseCreditEarned>0.5</CourseCreditEarned>
<CourseAcademicGradeScaleCode>65</CourseAcademicGradeScaleCode>
<CourseAcademicGrade>P</CourseAcademicGrade>
<CourseSubjectAreaCode>PhysicalHealthSafetyEducation</CourseSubjectAreaCode>
<CourseQualityPointsEarned>0</CourseQualityPointsEarned>
<CourseNumber>6919.F000.X</CourseNumber>
<CourseTitle>PEEQ4</CourseTitle>
<NoteMessage>7P.E./Equivalent</NoteMessage>
</Course>
</AcademicSession>
</AcademicRecord>
</Student>
</HSTrn:HighSchoolTranscript>
```

## **Appendix M**

### **Record of Changes Made to Schema and the Guide Since Version 1.0.0**

#### **Version 1.0.0**

The initial version of the Implementation Guide was issued when the standard was approved in June 2006.

#### **Version 1.0.1**

Version 1.0.1 was issued in March 2007. The reason Version 1.0.1 of the Guide was created was multiple errors in Appendix F (Sample Instance Document) were found. Appendix F in Version 1.0.0 of the Implementation Guide has been replaced by a new sample instance document.

In addition, a new appendix G has been added which lists ISO language codes which are used in the schema.

#### **Version 1.0.2**

Version 1.0.2 was issued in December 2007 to try again to get the sample instance document corrected in Appendix F. Randy Dueck from the University of Lethbridge pointed out additional errors in the sample transcript after Version 1.0.1 was released.

And most of the schema diagrams were also replaced to correct cardinality implied by the diagrams. The tables below the diagrams were correct and not changed, except for cosmetic changes.

At this point, all the changes to the Implementation Guide are still based on version 1.0.0 of the schema which has not yet been changed.

#### **Version 1.1.0**

Version 1.1.0 was approved by the PESC Education Record User Group in the fall of 2009. It was approved by the PESC Change Control Board in October 2009 and will be published in November 2009.

The changes in this version include the following:

1. A new complex data element called "Accreditation" in the Transmission Data area.
2. Three new code sets were added to the "OrganizationIDGroup" in the complex data element in Core called "Organization". They were PSIS (a code set for Canadian postsecondary schools), PSS (a code set for private K12 schools), and MutuallyDefined.

3. A new contact (“FaxPhone”) was added to “Contacts”.
4. Two new data elements (“EffectiveDate” and “ExpirationDate”) were added to the complex data elements “Address”, “Phone” and “FaxPhone”.
5. A new complex data element “AgencyIdentifier” was added to the complex data element “Person” to replace the simple data element “AgencyAssignedID” to more correctly specify the agency that assigned the ID.
6. A new complex data element “ParentGuardian” was added to “Person” to allow the user to transmit both the name and the relationship of the student’s parent or guardian.
7. A new choice element was created as child to “Person” for Race and Ethnicity so that schools can include either the older race and ethnicity codes, or instead can include the newer NCES race and ethnicity codes that allow for the separate question about ethnicity and allow for students to specify more than one race code.
8. A new simple data element “NameCode” was added as child to “Name” to allow the user to identify the type of name (Legal, Nickname, Former, Legal, etc.) being included for “Person”.
9. Enumerated values were added for “NameSuffix” to include “V” through “X”.
10. Two enumerated values (FrenchBaccalaureate and CEGEP) were added to “AcademicAwardLevel” to allow a more complete list of awards primarily used in Canada.
11. A new code set “ProgramSecondarySchoolCode” was added to the list of Academic Award Programs to allow more common secondary school academic programs.
12. A new enumerated value (Cumulative) was added to “AcademicSummaryType” to allow both term totals and running cumulative totals to be included with each session.
13. The complex data element “AcademicHonors” was made repeatable so a school can send multiple honors and/or awards with an entire academic record or for a session.
14. Enumerated values of SeventhGrade through TwelfthGrade were added to CourseCreditLevel and StudentLevel for secondary schools.

### **Version 1.2.0**

Version 1.2.0 was approved by the PESC Education Record User Group (ERUG) in the spring of 2011. It was approved by the PESC Change Control Board in April 2011 and was published in the summer of 2011.

The changes in Version 1.2.0 include the following:

1. The OrganizationIDGroup which was used in defining code sets to identify an Organization or School was replaced by a new OrganizationIDMultiChoiceGroup. This allows the sender of the instance document to send multiple codes for a school. For example, a high school may have a code in the CEEBACT code set, a code in the CCD code set and also uses a code in the MutuallyDefined code set for exchanges in a specific region or with a common vendor. This change allows for all three codes to be provided for one school in the instance document.
2. The simple data element "AgencyAssignedID" as child to "Person" was replaced with a complex data element "AgencyIdentifier". "AgencyAssignedID" is marked to be deprecated in the next major release of the schema.

The new optional data element "AgencyIdentifier" now allows for the instance document to include not only the ID number assigned for the student, but also the type of agency that assigned the student ID, the name of the agency, and the country or state or province in which the agency is located.

3. A new optional data element, "PartialSSN" has been added as child to "Person". This allows for those schools that prefer to include the US Social Security Number as a student identifier, but choose to only send the last four digits, instead of all nine, to do so.
4. The complex data element "Language" has been added as an optional child data element to "Person". This allows a high school to include information about other languages which a student may have abilities to speak or read or understand.
5. The optional complex data element "ParentGuardianName" which is child to "Person" is being marked for deprecation in the next major release of the schema. It is being replaced with the optional complex data element "ParentGuardian". This allows for the high school to send the specific relationship of the parent or guardian as well as the name of that person.
6. A new optional complex data element "Accreditation" has been added as child to "Organization". This allows a sending school to include information about its regional and/or other accreditation that might provide desired information to the transcript recipient.
7. An optional occurrence of the data element "UserDefinedExtensions" has been added as child to "TransmissionData".
8. A new optional data element "AttendanceCount" has been added as child to "AcademicSession". This allows for the high school to include the number of days that a student was present and/or absent during that session or term.

9. A new optional complex data element “HighSchoolCreditSummary” has been added as child to “AcademicSummary”. This allows the sending high school to include a summary of credit units, by subject area, earned, required and deficient.
10. Three new optional simple data elements (“EntryDate”, “ExitDate” and “ExitReasonCode”) have been added as child to “AcademicSummary”.
11. A new optional complex data element “FaxPhone” has been added as child to “Contacts”.
12. A new optional complex data element “CourseSupplementalAcademicGrade” has been added as a child to the data element “Course”. This allows a high school to include multiple grades for a high school course. This would satisfy a need that high schools have to report grades for portions of a year long course, as well as other needs.
13. In the “Tests” complex data element that is child to “Student”, the simple data element “TestCode” has been replaced with a choice of two simple data elements “TestCode” or “EducationTestCode”. The data element “TestCode” contains an old set of test codes that were used in the EDI transaction sets. The new “EducationTestCode” contains a newer set of test codes that are word codes. It also includes newer tests that were not available in the older code set.
14. Also in the “Tests” complex data element that is child to “Student”, the simple data element “SubtestCode” has been replaced with a choice of two simple data elements “SubtestCode” or “EducationSubtestCode”. The data element “SubtestCode” contains an old set of subtest codes that were used in the EDI transaction sets. The new “EducationSubtestCode” contains a newer set of subtest codes that are word codes. It also includes newer subtests that were not available in the older code set.
15. The maximum length of the simple data element “AcademicAwardTitle”, which is child to the complex data element “AcademicAward” has been changed from a maximum of 80 characters to a maximum of 400 characters.
16. A new enumerated value of “Correspondence” has been added to the list for the simple data element “CourseCreditBasis” which is child to the complex data element “Course”.
17. Two new enumerated values (“Duplicate” and “MutuallyDefined”) have been added to the complex data element “TransmissionType” that is child to the complex data element “TransmissionData”.
18. New enumerated values have been added to the simple data element “LanguageProficiency” that is child to the complex data element “Language”.



19. A new enumerated value (“WrittenCommunication”) has been added to the list for the simple data element “LanguageUsage” which is child to the complex data element “Language”.
20. A new optional simple data element “ImmunizationStatusCode” has been added as child to the complex data element “Immunizations”. This allows for the high school to provide information about the sequence number of the inoculation being shown or the type of exemption being described.
21. A new enumerated value (“HalfDayKindergarten”) has been added to the list for the simple data element “StudentLevelCode” which is child to the complex data element “StudentLevel”.
22. The min/max length of the code set “PSS” to describe private secondary schools was changed from 12/12 to 8/8. This code set is part of the “OrganizationIDMultiChoice Group” to identify organizations and schools.
23. A new enumerated value “Regents” was added to the simple data element “CourseLevel” which is child to “Course”.

### **Version 1.3.0**

Version 1.3.0 was approved by the PESC Education Record User Group (ERUG) in the spring of 2012. It was approved by the PESC Change Control Board in June 2012 and was published in the summer of 2012.

The changes in Version 1.3.0 include the following:

**Document Type Code:** A new enumerated value of “Cancel” was added to the list of enumerated values of this simple data element.

**Course:** A new (seventh) choice code set was added to the choice structure to describe the content of a high school course. It is “CourseFiveDigitSCEDCode” and is a new code set that is child to the complex data element “Course”. This five digit code is a subset of the 12 digit “School Codes for the Exchange of Data” or SCED code that describes both the content and the structure of a K12 course.

**New Enumerated Value of “Grade13”:** This enumerated value was added to the simple data element “StudentLevelCode”, “AcademicSummaryLevel”, and “CourseCreditLevel” in Core Main.

**New Enumerated Value of “Ungraded”:** This enumerated value was added to the simple data elements “StudentLevelCode” and “AcademicSummaryLevel” in Core Main.

**New Simple Data Element “CohortGraduationYear”** was added as child to the complex data element “AcademicRecord”.

**New Occurrence of the data element “UserDefinedExtensions”** was added as child to the complex data element “AcademicProgram” as defined in the AcademicRecord Sector Library.

**Appendix N – Members of Original Workgroup to Develop the PESC XML High School Transcript Standard**

<b>PESC XML High School Transcript Workgroup</b>		
<b>No.</b>	<b>Name</b>	<b>Title Company/Association/School</b>
1	Bruce Marton, Chair	Asso. Director of Student Information Systems, Office of Registrar University of Texas at Austin, and member of the AACRAO SPEEDE Committee
2	Carol Alexander	OHLAP Scholarship Coordinator Oklahoma State Regents for Higher Education
3	Barbara Andrepont	Chair, ETranscript Task Force and ESP Solution Group Schools Interoperability Framework (SIF) Liaison
4	Dave Balberchak	Project Manager, AES/PHEAA=s Transcript Exchange Services American Education Services
5	Jim Baumann	Chief Information Officer Georgia Student Finance Commission
6	Michael Berberet	Pearson Government Solutions
7	Barry Billing	Electronic Transcripts Specialist Ontario Colleges Application Centre, and member of the AACRAO SPEEDE Committee
8	Jerry Bracken	System Engineer Brigham Young University (UT)
9	L. Russ Brawn	Chief Operations Officer California School Information Services (K12)
10	Cindy Brown	Senior Coordinator for Student Preparation Oklahoma State Regents for Higher Education
11	John Broz	Georgia Bd. of Regents, Office of Information & Instructional Technology
12	Renée Clark	Princeton Review
13	Barbara S. Clements	Member of SIF, and Vice President for Education Services ESP Solutions Group
14	Mark N. Cohen	Vice President, Product Development Docufide, Inc.

<b>PESC XML High School Transcript Workgroup</b>		
<b>No.</b>	<b>Name</b>	<b>Title Company/Association/School</b>
15	Margaret Dillard	Project Coordinator, Office of Information & Instructional Technology University System of Georgia
16	Bryce Fair	Associate Vice Chancellor Scholarships and Grants Oklahoma State Regents for Higher Education
17	Doug Falk	Chief Information Officer National Student Clearinghouse
18	Sam Fugazzotto	District Registrar New Trier Township High School (Illinois)
19	Robin S. Greene	Associate Director, Technology and Internet Services The College Foundation of North Carolina
20	Ed Hauser	Chairman, SCT Banner Student & Financial Aid Systems SunGardSCT
21	Doug Holmes	Ontario Universities Admissions Centre
22	Donna Huber	Manager of Operations for California AES
23	George Hudachek	Associate Director of Admissions University of Minnesota - Twin Cities
24	Alex Jackl	Senior Integration Architect ESP Solutions Group
25	Lavon Jones	The College Foundation, Inc, Raleigh, NC
26	Rob Killion	Executive Director The Common Application, Inc.
27	Jennifer Kim	Membership Services Manager PESC
28	Kim Koran	EA Support Team, OCIO, Consultant, US Department of Education
29	Tonya Lam	Associate Vice Chancellor, Student Affairs University System of Georgia
30	Jan Langtry	Special Projects Administrator California School Information Services (K12)
31	Robert G. Layton, II	President, KEL Group, Inc.

<b>PESC XML High School Transcript Workgroup</b>		
<b>No.</b>	<b>Name</b>	<b>Title Company/Association/School</b>
32	Steve Margenau	Great Lakes Educational Loan Services
33	Michael A. Merrill	Business Information Specialist South Dakota Board of Regents
34	Ron Miller	High School Counselor Natick High School in Massachusetts
35	Steve Mills	Implementation Specialist California School Information Services (K12)
36	Faye Mitcham	Software Application Specialist (SunGardSCT Banner Specialist) Georgia Department of Technical & Adult Education
37	David K. Moldoff	President and Chief Executive Officer Strategic Explorers
38	Bob Morley	Associate Registrar University of Southern California
39	Peggi Munkittrick	Executive Director, Product Strategy Academy One, Inc. (Strategic Explorers)
40	Gregory G. Nadeau	Member of SIF Board, and VP for Expert Advisory Services ESP Solutions Group
41	Paul M. Nations	Senior Systems Programmer Arkansas Department of Higher Education
42	R. Bruce Nielsen	Senior Tech Associate, Enterprise Standards, Information Technology ACT, Inc.
43	Beverly Norwood	Office of Information & Instructional Technology University System of Georgia
44	Karen Nunn	Office of Information & Instructional Technology University System of Georgia
45	John Reese	Chief Executive Officer and Chairman of the Board Docufide, Inc.
46	Ed Roberts	Application Systems Analyst III Oklahoma State Regents for Higher Education
47	Jason Schlotterback	Software Developer Pearson Government Solutions

<b>PESC XML High School Transcript Workgroup</b>		
<b>No.</b>	<b>Name</b>	<b>Title Company/Association/School</b>
48	John Scott	Director, New Jersey Statewide Transfer Initiative Burlington County College (NJ)
49	Michael Sessa	Executive Director PESC
50	Les Smith	SunGardSCT
51	Clare Smith-Larson	SPEEDE, Project EASIER Coordinator Iowa State University, and chair of the AACRAO SPEEDE Committee
52	Ricky Steele	Director of Software Development Oklahoma State Regents for Higher Education
53	John T A Tom@ Stewart	Miami Dade College (Retired) and member of AACRAO SPEEDE Committee
54	David Stones	Registrar Southwestern University (TX), and member of AACRAO SPEEDE Committee
55	Pam Summers	Director, Student Applications - EAS Office of Information & Instructional Technology University System of Georgia
56	Cindy Taylor	Information Analyst 1, Academic & Fiscal Affairs University System of Georgia
57	Tom Vreeland	Architect and Chief Technologist OpenVES.org
58	Barbara Waring	Business Analyst, Statewide SIS Project Georgia Department of Education
59	Howard Woodard	Georgia Department of Education
60	Lin Zhou	Senior Manager of Development, Academy One Strategic Explorers
61	Bill Zimmer	Advisory Consultant SunGardSCT (Now SunGard Higher Education)