

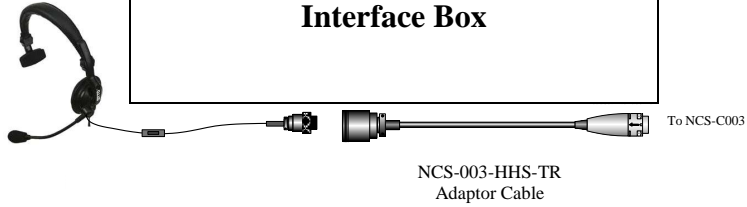
Using the NCS-E302 Headset with the NCS-C003 Headset Interface Box

To connect the NCS-003-HHS-TR Headset Adaptor on the adaptor cable to the Headset Input

This Section Under Revision

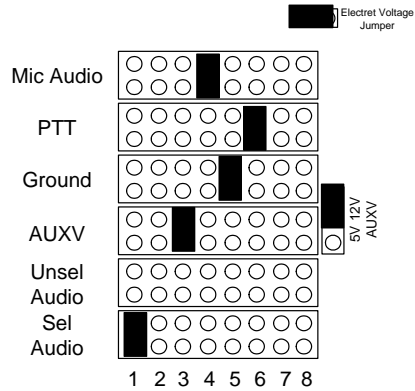
Contact Factory for Instructions on Operation with NCS-C003 Headset Interface Box

the NCS-003-HSS-TR mating connector of the adaptor cable



Installation of Microphone Jumpers in the NCS-C250

Microphone jumpers must be installed in the NCS-C250 to match the pin outs of the NCS-C003 Headset Interface Box. The proper installation of the mic jumpers for use with the NCS-C003 and adaptor cable is shown below. After all jumpers are installed refer to the NCS-C250 Instruction Manual and set the mic audio level for proper audio output.



NCS-E302

SINGLE EAR HEADSET



Collcomm, Inc.

TEL/FAX: (888) 883-5788
 EMAIL: support@ncsradio.com
 Website: www.ncsradio.com

Features

- ❖ Adjustable Boom
- ❖ Electret Condenser Microphone Element

The headband is made of spring steel and is housed inside a rubber covering. The top headband can be shaped for best fit and comfort. Don't be afraid to bend it to achieve the desired fit.

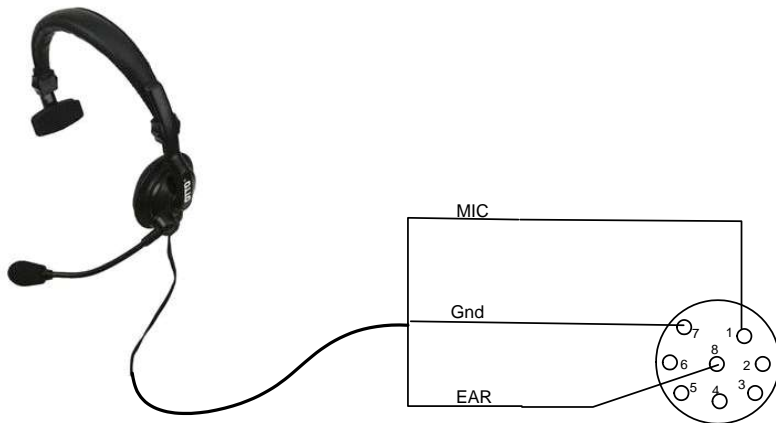
The microphone boom can be easily bent to place the microphone holder in the desired position.

Microphone Element

The NCS-E302 headset uses an electret condenser microphone element. Electret elements require that a DC voltage be applied to the mic audio line for proper operation. This electret voltage is supplied by the NCS-C250 via a Special Jumper. See "Installation of Microphone Jumpers" later in this manual.

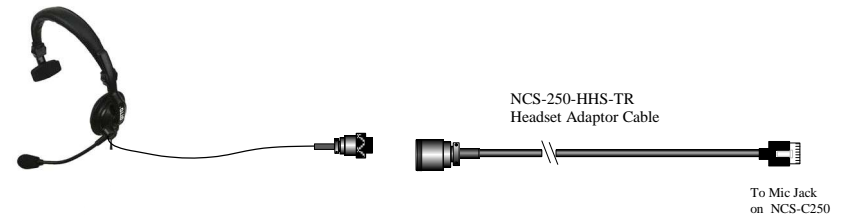
Headset Termination

The NCS-E302 headset is terminated in an 8 pin female Foster connector. The Pin outs for this connector are shown below.



Using the NCS-E302 with the NCS-C250 Mobile Multi-Switcher

To connect the NCS-E302 to the RJ45 mic jack on the NCS-C250 requires the NCS-250-HHS-TR Headset Adaptor Cable. Plug the headset 8 pin female connector into the mating connector on the adaptor cable and tighten. The RJ45 plug on the adaptor cable connects to the mic jack on the front or rear of the NCS-C250.



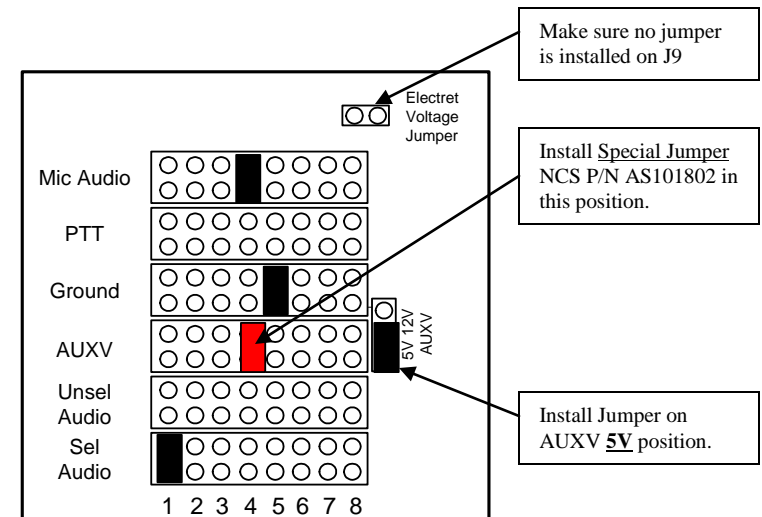
Installation of Microphone Jumpers in the NCS-C250

Jumpers must be installed in the NCS-C250 so that the RJ45 mic jack pin-outs on the front and rear panels match that of the NCS-250-HHS-TR Headset Adaptor Cable. Refer to the NCS-C250 Instruction Manual for the location of these jumpers.

The proper placement of the mic jumpers for use with the NCS-250-HHS-TR Headset and adaptor cable is shown below.

IMPORTANT: The NCS-E302 headset requires a special jumper (shown below) for supplying the necessary electret voltage to the headset mic element. Install only the NCS AS101802 special jumper in the position shown. This jumper is supplied with the NCS-E302 headset or may be installed in the NCS-C250 at the factory if purchased at the same time as the headset.

After all jumpers are installed refer to the NCS-C250 Instruction Manual and set the mic audio level for proper audio output.



Microphone Connector Jumper Settings