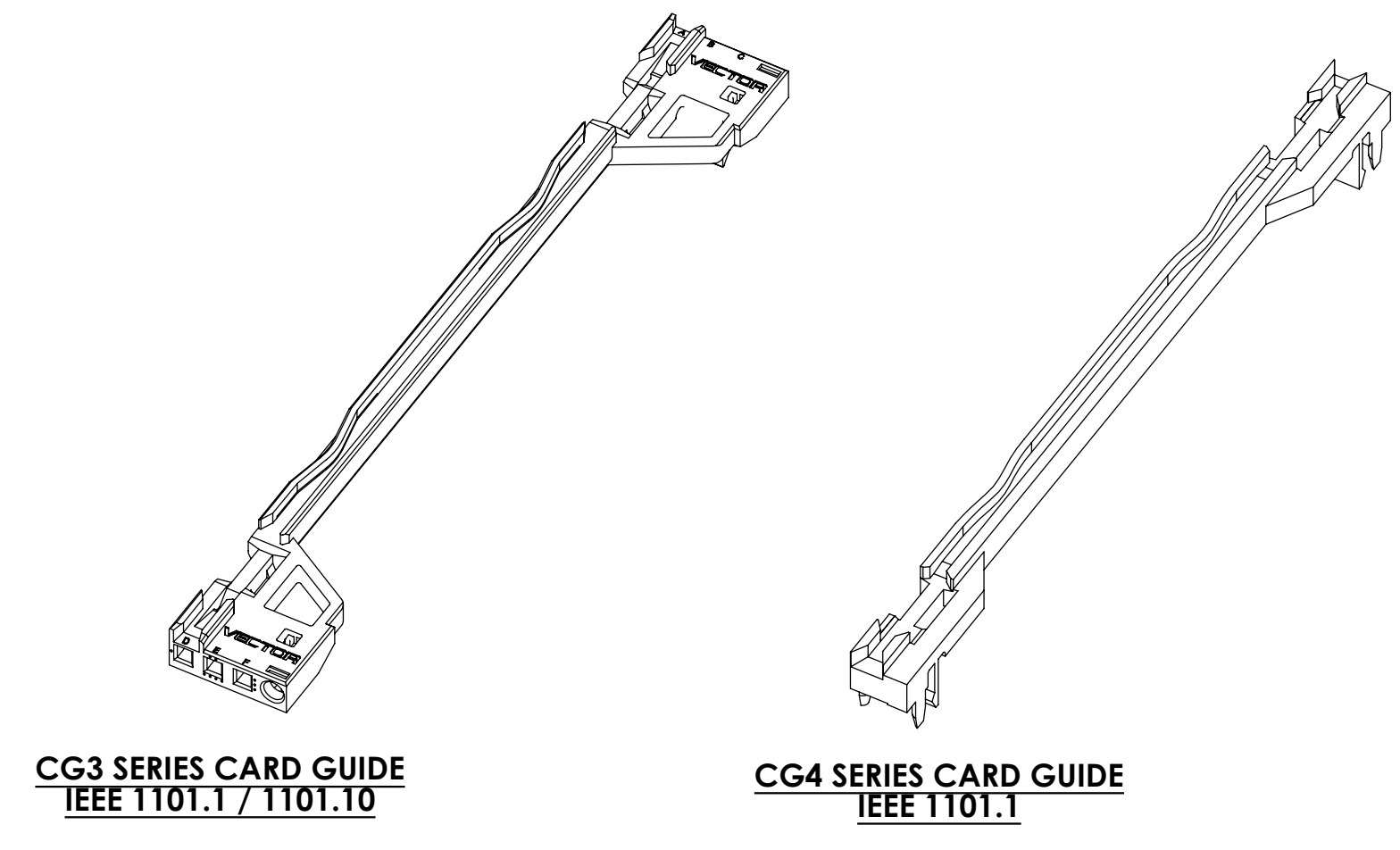
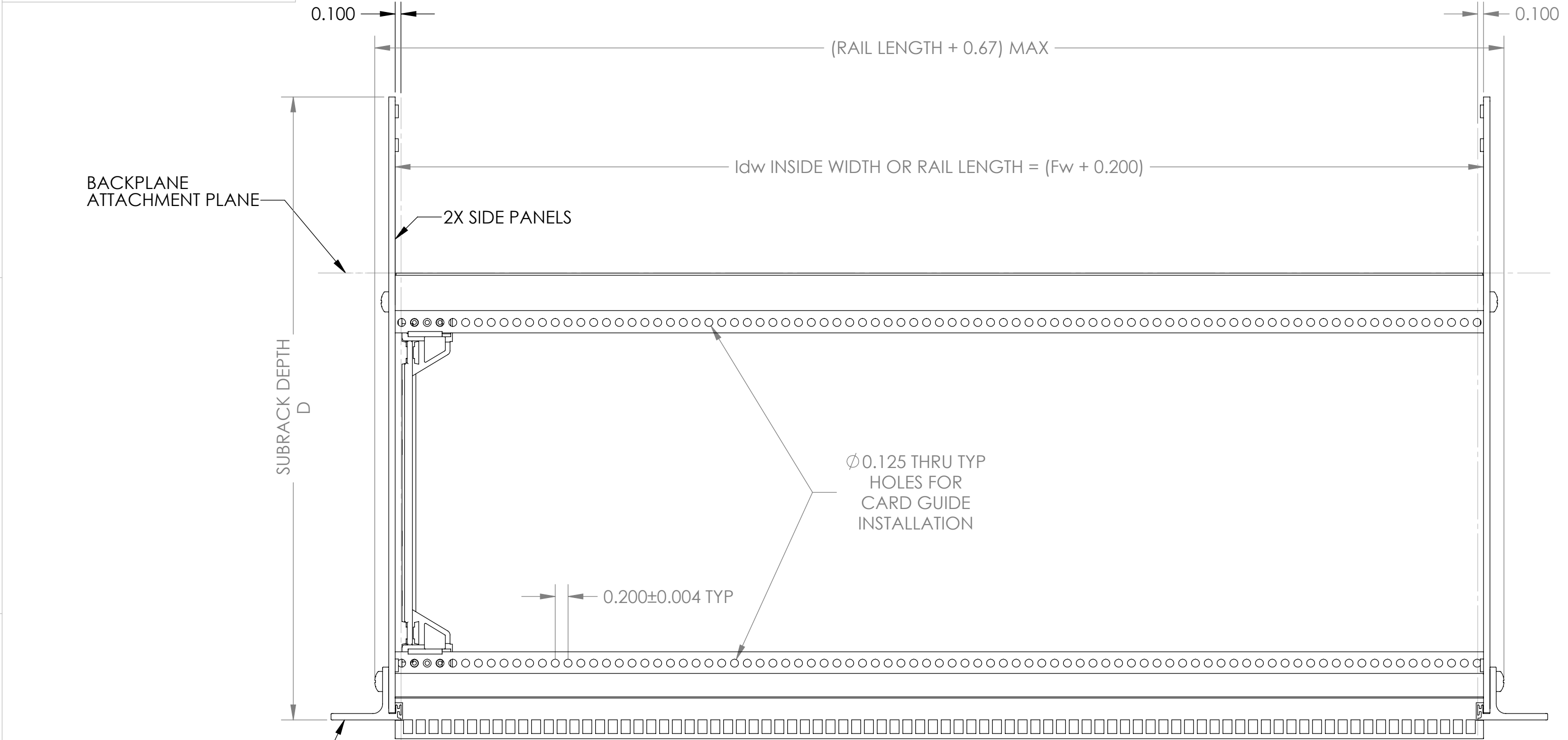


PROPRIETARY AND CONFIDENTIAL
 THE INFORMATION CONTAINED IN THIS DRAWING IS THE SOLE PROPERTY OF
 VECTOR ELECTRONICS & TECHNOLOGY, INC. ANY REPRODUCTION IN PART
 OR AS A WHOLE WITHOUT THE WRITTEN PERMISSION OF VECTOR ELECTRONICS
 & TECHNOLOGY, INC IS PROHIBITED.

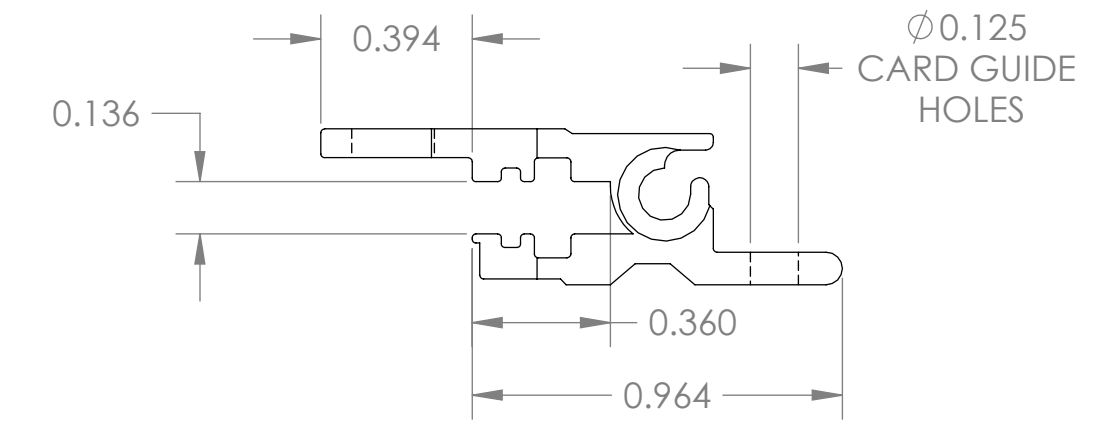
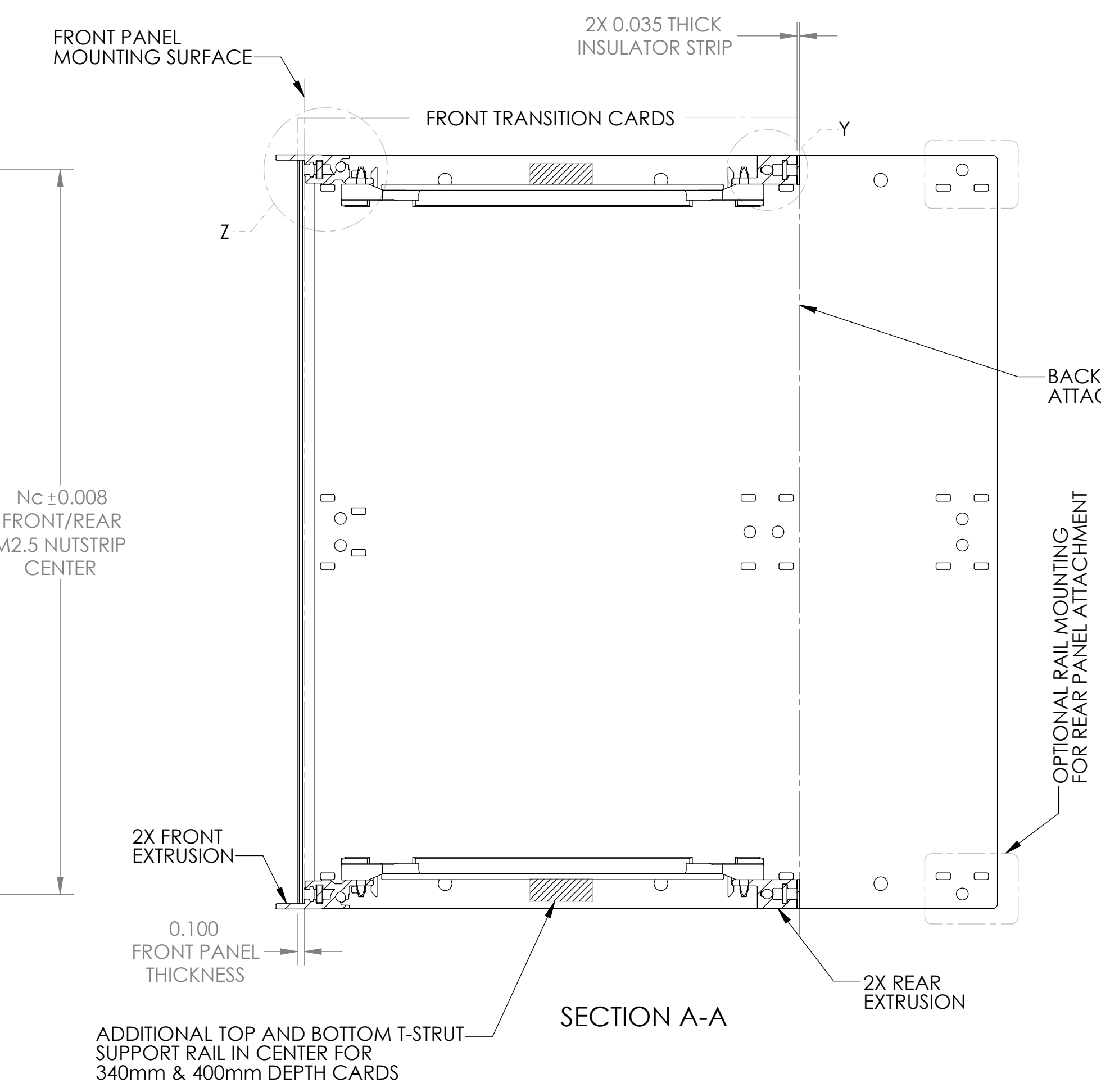
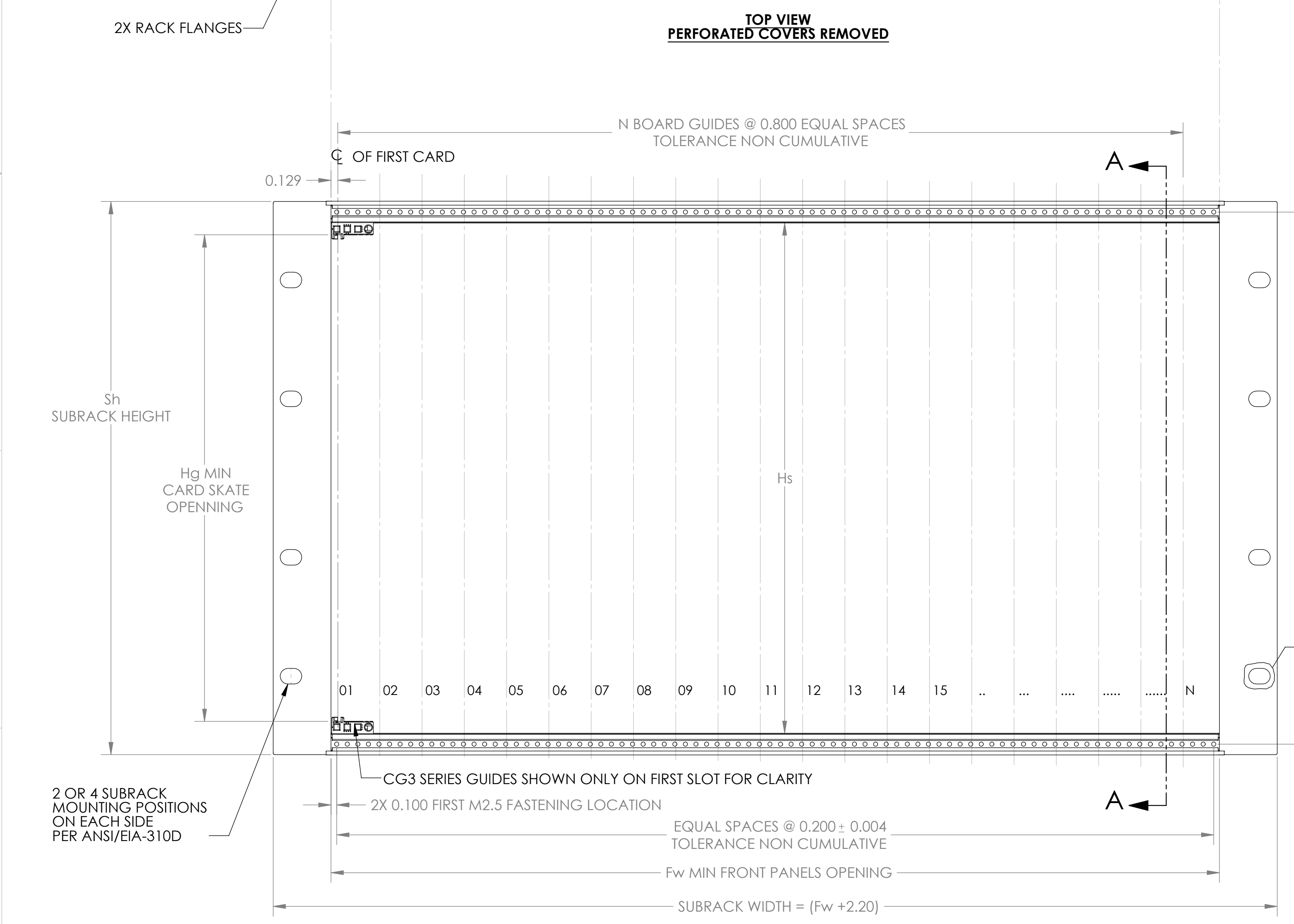
REVISIONS				
ZONE	REV	DESCRIPTION	DATE	APPROVED
ALL	A	INITIAL RELEASE	09/23/11	



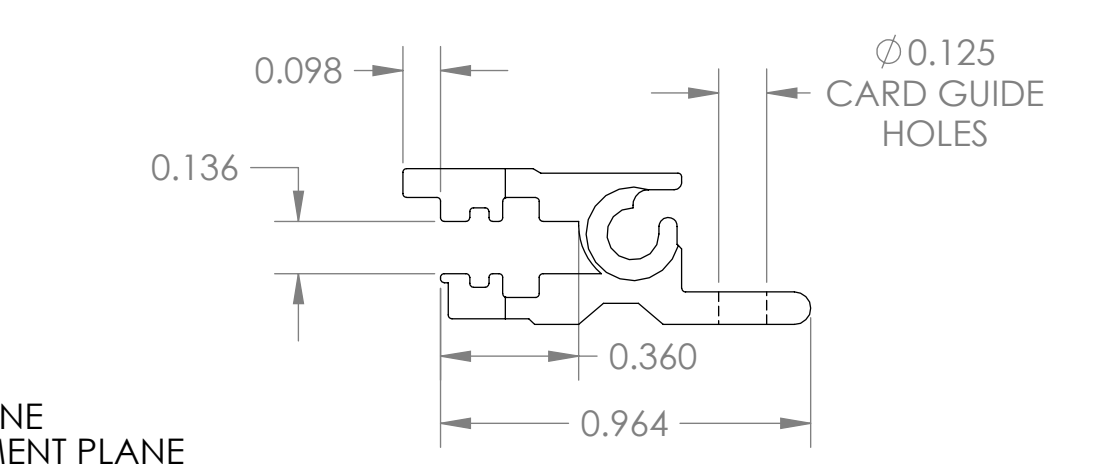
DIM	CARD CAGE HEIGHT		
	3U	6U	9U
Sh	5.22	10.47	15.72
Hg	3.945	9.195	14.445
Hs	4.422	9.672	14.922
Nc	4.823	10.073	15.323

DIM	CARD CAGE WIDTH			
	36HP	44HP	64HP	84HP
Fw	7.200	8.800	12.800	16.800
ldw	7.400	9.000	13.000	17.000
N	9	11	16	21

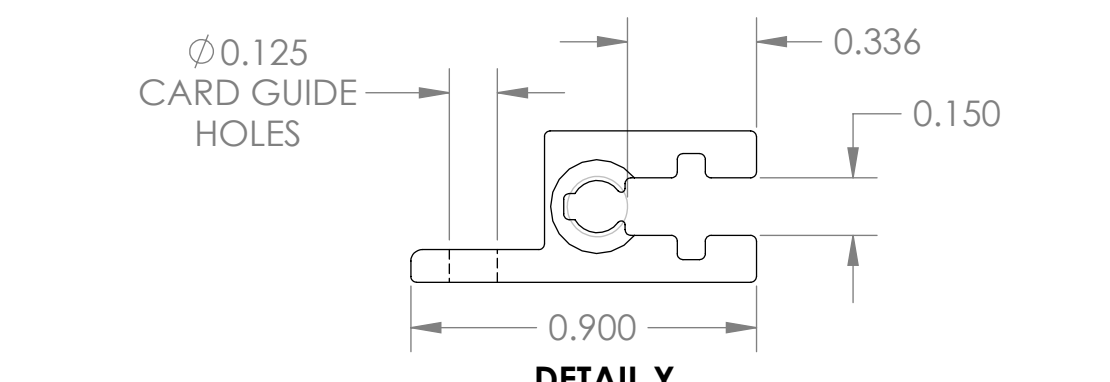
1U = 1.75" (44.45mm)
 1HP = 0.200" (5.08mm)



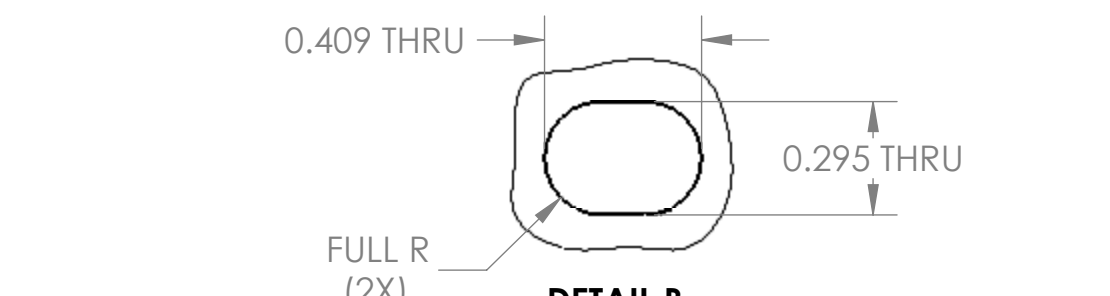
DETAIL Z
 FRONT HORIZONTAL RAIL
 IEEE 1101.10



DETAIL Z
 FRONT HORIZONTAL RAIL
 IEEE 1101.1



DETAIL Y
 REAR HORIZONTAL RAIL



DETAIL B
 SCALE 2 : 1
 RACKMOUNT HOLE

2 OR 4 SUBRACK MOUNTING POSITIONS ON EACH SIDE PER ANSI/EIA-310D

FRONT VIEW
 SHOWN FULL WIDTH (84HP WIDE) SUBRACK

UNLESS OTHERWISE SPECIFIED:
 DIMENSIONS ARE IN INCHES
 TOLERANCES:
 DEC .X.X ±0.1
 DEC .X.XX ±0.03
 DEC .X.XXX ±0.010
 FRACTIONS ±0.000
 ANGLES ±1°

MATERIAL	NAME	DATE
FINISH	TRISHAR	09/23/11

11115 VANOWEN ST., NORTH HOLLYWOOD, CA 91605
VECTOR
 ELECTRONICS & TECHNOLOGY, INC. www.vectorelec.com
VECTOR
 1101.1 / 1101.10
 CARD CAGE DETAIL
 SIZE DWG. NO. REV
D VCC1101 A
 SCALE: 2:3 CAGE CODE: 82893 SHEET 1 OF 1