

Carey Automatic Door, LLC

OSX ALL AIR (EXPLOSION PROOF) OPERATOR PACKAGES

100% PNEUMATIC (ALL AIR) & EXPLOSION PROOF OPERATORS

100% Pneumatic (ALL AIR) Door Systems: pneumatically operated with no electronics.

Explosion Proof Door Systems: pneumatically operated with no electronics as well as all moving components are manufactured from non-sparking materials.

100% Pneumatic (ALL AIR) & Explosion Proof Operators:

Air Opening and Air Closing (no electricity involved) - pneumatically controlled from central air supply or separate compressor. Opening and closing action will be individually controlled by separate built-in pressure regulators and opening and closing valves, which are all adjustable for pressure and volume for required speed and power. All regulators and valves can be self-contained within a control box at the door location. The operator will be capable of operating doors against wind velocities (and equivalent stack pressures) up to 40 miles per hour. Built-in two-stage checking cylinders for both opening and closing limits. The operator will instantaneously recycle the door to the full open position from any point in closing cycle. The operator will be activated by two pneumatic push plate or pull cord assemblies. The entire system is driven by pneumatic cylinders and valves without the use of electrical or electronic components.

FACTORS TO CONSIDER BEFORE ORDERING:

OPENING: Determines size of operator required

HAND: Swinging Doors:
Specify Right Hand for clockwise, Left Hand for counterclockwise

Sliding Doors:
Specify Right Hand if door slides to the left to open, Left Hand if door slides to right

HEIGHT CLEARANCE: Distance required from top of door to ceiling or obstruction

SIDE CLEARANCE: Distance required between jamb and side wall for door bracket

REVEAL: Distance from back of operator case to inside surface of door in closed position.
Varies with door thickness and hanging.

AVAILABLE ACTIVATION OPTIONS:

Standard: Push palm button or pull cord to open, hold open with 0 - 30 second time delay, automatic close (single acting spring close or double acting power close depending on weight of door)

Optional: Push palm button or pull cord to open, stays open, push palm button or pull cord to close

Carey Automatic Door, LLC, its employees and associates are not architects, engineers or building code experts. Automatic doors if not installed or maintained properly can cause serious bodily injury. Always consult the proper experts before purchasing a system in a hazardous area.

Carey Automatic Door, LLC

MAGIC-DOOR PNEUMATIC OPERATOR DESCRIPTION

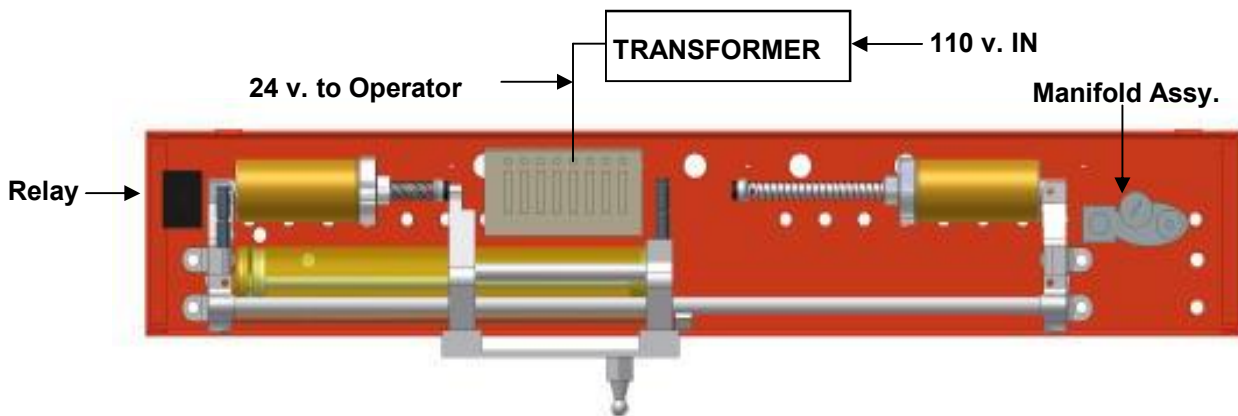
DESCRIPTION OF AN ELECTRO-PNEUMATIC DOOR OPERATOR:

1. An Operator powered from a central air supply or separate compressor.
 - a. This may be a single or double unit depending on the width and weight of door.
 - b. May be mounted to header above the door.
 - c. May be concealed either above or below the door with special pivots.
2. Connecting Links from Operator to door which permit door movement when Operator is actuated.
 - a. Swinging and Bi-Folding doors.
 1. Door bracket on door.
 2. Door rod which couples door bracket to Operator slide.
 - b. Sliding doors.
 1. Lever and connecting links coupling door to Operator and slide.
3. Opening and Closing Valves (electrically energized) mounted in Operator to control opening speed.
 - a. Closing may be by:
 1. Springs mounted in Operator.
 2. Pneumatically or electrically energized closing valve mounted in Operator.
4. Controls to actuate Operator.
 - a. Infrared safety systems.
 - b. Motion sensors.
 - c. Carpets/mats for pedestrian traffic (or equivalent).
 - d. Photoelectric for fully automatic operation (or equivalent).
 - e. Manual switches or valves (pull cords, push buttons, etc.) for semi-automatic operations.

HOW AN ELECTRO-PNEUMATIC OPERATOR WORKS:

The Operator is an air powered cylinder which is plunger actuated when air is introduced into the power cylinder through controlling valves.

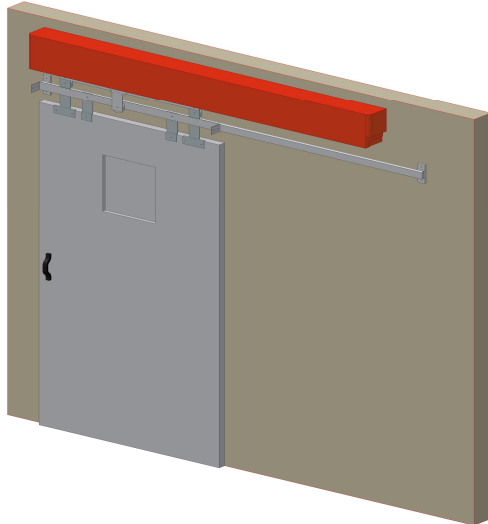
When a signal is sent to the Operator, the air valve is actuated and compressed air is admitted into the power cylinder. The compressed air drives the power cylinder piston which moves the slide assembly. A door rod and bracket attached to the slide assembly opens the door. As the door comes to a completely open position, a trip rod on the slide assembly actuates the holding Micro-Switch. When the door has reached the full open position and the signal is deactivated, the valve is de-energized - thus shutting off the air power to the cylinder. This action allows the air in the cylinder to exhaust through an adjustable port located on the air valve. The power springs or closing air then return the slide assembly to the closed position, closing the door. Checking cylinders are provided to smooth out the final opening and closing door motions.



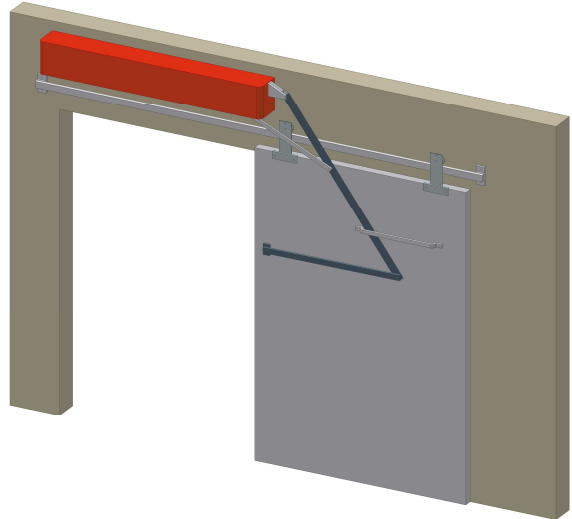
Carey Automatic Door, LLC

PNEUMATIC OPERATOR FOR SINGLE SLIDING DOOR

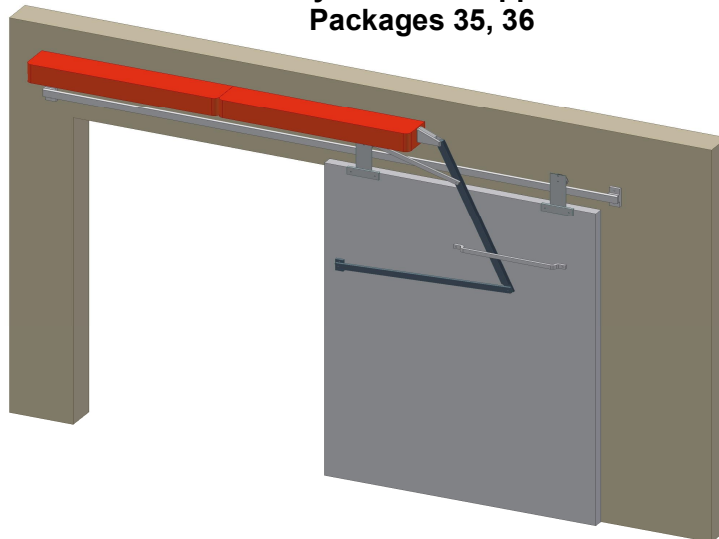
For Commercial Applications
Cable Drive System
Packages 30, 31, 32



For Industrial Applications
Packages 33, 34



For Heavy Industrial Applications
Packages 35, 36



FACTORS TO CONSIDER BEFORE ORDERING:

- HAND:** Specify Right Hand if door opens toward the left when facing operator.
Specify Left Hand if door opens toward the right when facing operator.
- OPENING:** Determines size of operator required.
- SAFETY SWITCH:** Safety Switch 408987 required when safety device is used.

All operators shipped as single acting. Closing Valve Kit (307381, ALL AIR 940100) is available as extra for double acting.

FIRE DOOR APPLICATIONS: Refer to Page CP-10.

CONSIDER WHETHER YOU NEED ANY OR ALL OF THE FOLLOWING:

Closing Valve Kit 307381, 940100 for Double Acting Operation; Safety Switch 408987; Controls; Track and Hangers refer to Pages CPD-16 & CPD-17.

Carey Automatic Door, LLC
PNEUMATIC OPERATOR FOR SINGLE SLIDING DOOR

FOR COMMERCIAL OR CONCEALED APPLICATIONS
Not Available in ALL AIR

| PKG NO. | PART NO.* | DESCRIPTION | SIZE OF OPENING |
|---------|-----------|-------------------------|-----------------|
| 30 | 307724 | 18" 020 Spring Closing* | 27" to 34" |
| 31 | 307725 | 24" 020 Spring Closing* | 35" to 47" |
| 32 | 307726 | 36" 020 Power Closing* | 48" to 71" |

| PKG NO. 30 | PKG NO. 31 | PKG NO. 32 | ITEM DESCRIPTION |
|-----------------|-----------------|----------------|--------------------------------|
| 1 - 103159 (60) | 1 - 103159 (60) | -- | OPERATOR OS 24" RH (LH) |
| -- | -- | 1 - 103161 (2) | OPERATOR OD 36" RH (LH) |
| 1 - 307481 | 1 - 307481 | 1 - 307481 | ACCESSORY PACKAGE - 020 COMMON |
| 1 - 307854 | 1 - 307856 | 1 - 307857 | ACCESSORY PACKAGE - 020 SIZED |
| 1 - 515430 | 1 - 515430 | 1 - 515430 | PLUG-IN RELAY |

*AVAILABLE FOR BI-PARTING DOORS.

FOR INDUSTRIAL APPLICATIONS
For ALL AIR, See Page CP-7B

| PKG NO. | PART NO.* | DESCRIPTION | SIZE OF OPENING |
|---------|-----------|-------------|-----------------|
| 33 | 307727 | 14" - 07 | Up to 60" |
| 34 | 307728 | 24" - 07 | 61" to 96" |

| PKG NO. 33 | PKG NO. 34 | ITEM DESCRIPTION |
|----------------|-----------------|-------------------------|
| 1 - 103155 (6) | -- | OPERATOR OS 14" RH (LH) |
| -- | 1 - 103159 (60) | OPERATOR OS 24" RH (LH) |
| 1 - 307664 | 1 - 307665 | ACCESSORY PACKAGE - 07 |
| 1 - 402497 | 1 - 402498 | OPERATING LEVER |
| 1 - 409318 | 1 - 409319 | DOOR ROD |
| 1 - 515430 | 1 - 515430 | PLUG-IN RELAY |

FOR HEAVY INDUSTRIAL APPLICATIONS
For ALL AIR, See Page CP-7B

| PKG NO. | PART NO.* | DESCRIPTION | SIZE OF OPENING |
|---------|-----------|-------------|-----------------|
| 35 | 307729 | 14" - 07D | 60" to 100" |
| 36 | 307730 | 24" - 07D | 101" to 144" |

| PKG NO. 35 | PKG NO. 36 | ITEM DESCRIPTION |
|----------------|-----------------|--------------------------------|
| 1 - 103155 (6) | -- | OPERATOR OS 14" RH (LH) |
| 1 - 103164 (5) | -- | OPERATOR OSS 14" RH (LH) SLAVE |
| -- | 1 - 103159 (60) | OPERATOR OS 24" RH (LH) |
| -- | 1 - 103168 (9) | OPERATOR OSS 24" RH (LH) SLAVE |
| 1 - 307639 | 1 - 307640 | ACCESSORY PACKAGE - 07D |
| 1 - 402498 | 1 - 306584 | OPERATING LEVER |
| 1 - 409318 | -- | DOOR ROD |
| 1 - 409319 | 2 - 409319 | DOOR ROD |
| 1 - 515430 | 1 - 515430 | PLUG-IN RELAY |

*Note: For LH Packages, change 2nd digit of part number to = 8

Carey Automatic Door, LLC
PNEUMATIC OPERATOR FOR SINGLE SLIDING DOOR

ALL AIR INDUSTRIAL & HEAVY DUTY APPLICATIONS

| PKG NO. | PART NO.* | DESCRIPTION | SIZE OF OPENING |
|---------|-----------|-------------------|-----------------|
| 33AA | 347727 | 14" 07 - ALL AIR | Up to 60" |
| 34AA | 347728 | 24" 07 - ALL AIR | 61" to 96" |
| 35AA | 347729 | 14" 07D - ALL AIR | 60" to 100" |
| 36AA | 347730 | 24" 07D - ALL AIR | 101" to 144" |

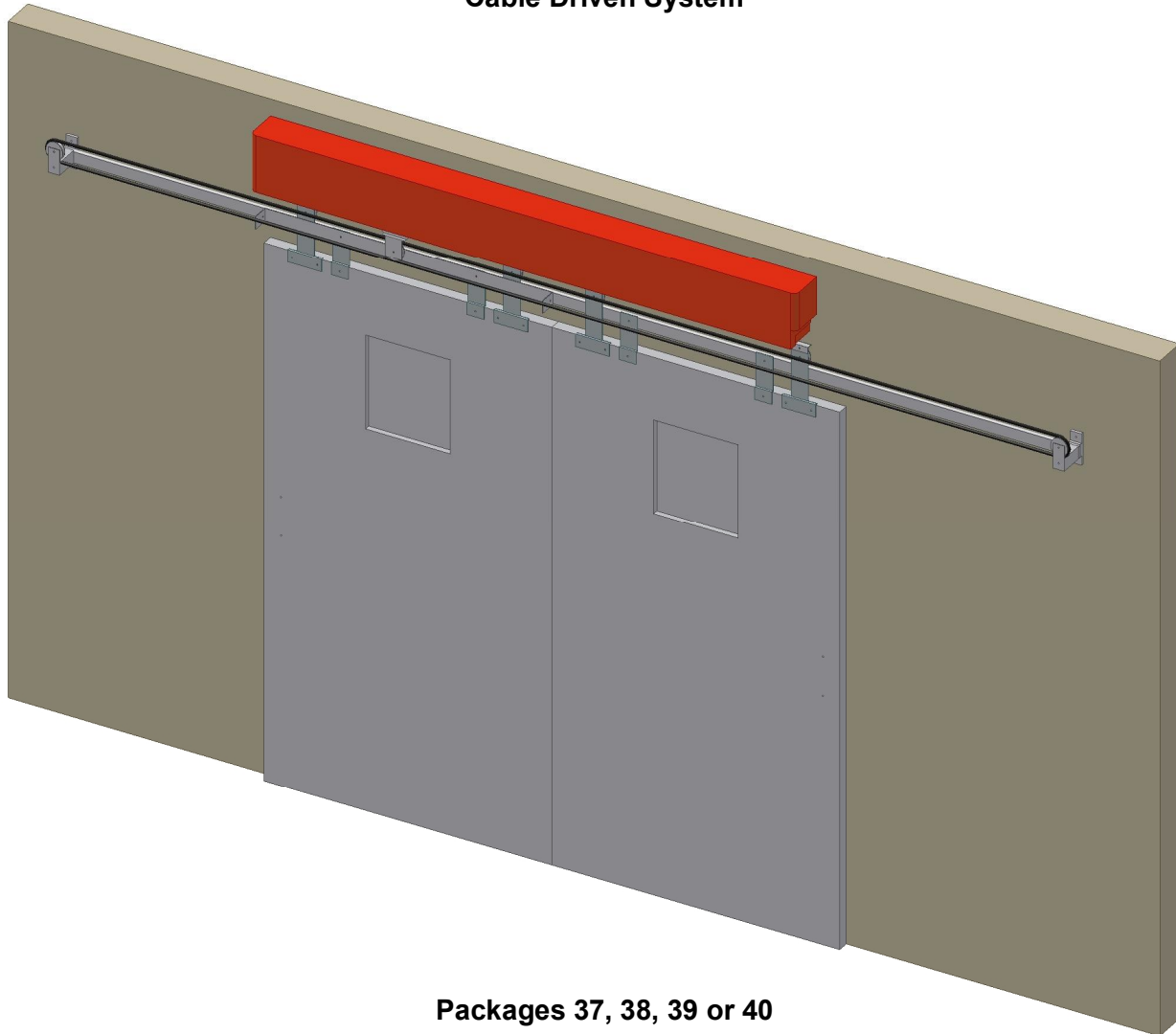
| PKG NO. 33AA | PKG NO. 34AA | PKG NO. 35AA | PKG NO. 36 AA | ITEM DESCRIPTION |
|----------------|----------------|----------------|----------------|--------------------------------------|
| 1 - 103305 (6) | -- | 2 - 103305 (6) | -- | OSX - 14" R.H. (LH) All Air Operator |
| -- | 1 - 103307 (8) | -- | 2 - 103307 (8) | OSX - 24" RH (L.H) All Air Operator |
| 1 - 920100 | 1 - 920100 | 1 - 920100 | 1 - 920100 | ALL AIR VALVE PACKAGE |
| 1 - 307664 | 1 - 307665 | -- | -- | ACCESSORY PACKAGE - 07 |
| -- | -- | 1 - 307639 | 1 - 307640 | ACCESSORY PACKAGE - 07D |
| 1 - 402497 | 1 - 402498 | 1 - 402498 | 1 - 306584 | OPERATING LEVER |
| 1 - 409318 | -- | 1 - 409318 | -- | DOOR ROD |
| -- | 1 - 409319 | 1 - 409319 | 2 - 409319 | DOOR ROD |
| 2 - 402839 | 2 - 402839 | 2 - 402839 | 2 - 402839 | PULL CORD - MA-10 OR |
| 2 - 409693 | 2 - 409693 | 2 - 409693 | 2 - 409693 | PALM BUTTON |

*NOTE: For LH Packages, change 2nd digit of part number to = 5.

See Page C-3 for additional ALL AIR and Explosion Proof information.

Carey Automatic Door, LLC
1 - PNEUMATIC OPERATOR FOR BI-PART SLIDING DOORS

FOR COMMERCIAL OR CONCEALED APPLICATIONS
Cable Driven System



Packages 37, 38, 39 or 40

FACTORS TO CONSIDER BEFORE ORDERING:

OPENING: Determines size of operator required.

SAFETY SWITCH: Safety Switch 408987 required when safety device is used.

All operators shipped as single acting. Closing Valve Kit (307381) is available as extra for double acting. Recommended where windy conditions exists.

CONSIDER WHETHER YOU NEED ANY OR ALL OF THE FOLLOWING:

Closing Valve Kit 307381 for Double Acting Operation; Safety Switch 408987; Controls; Track and Hangers refer to Pages CPD-16 & CPD-17.

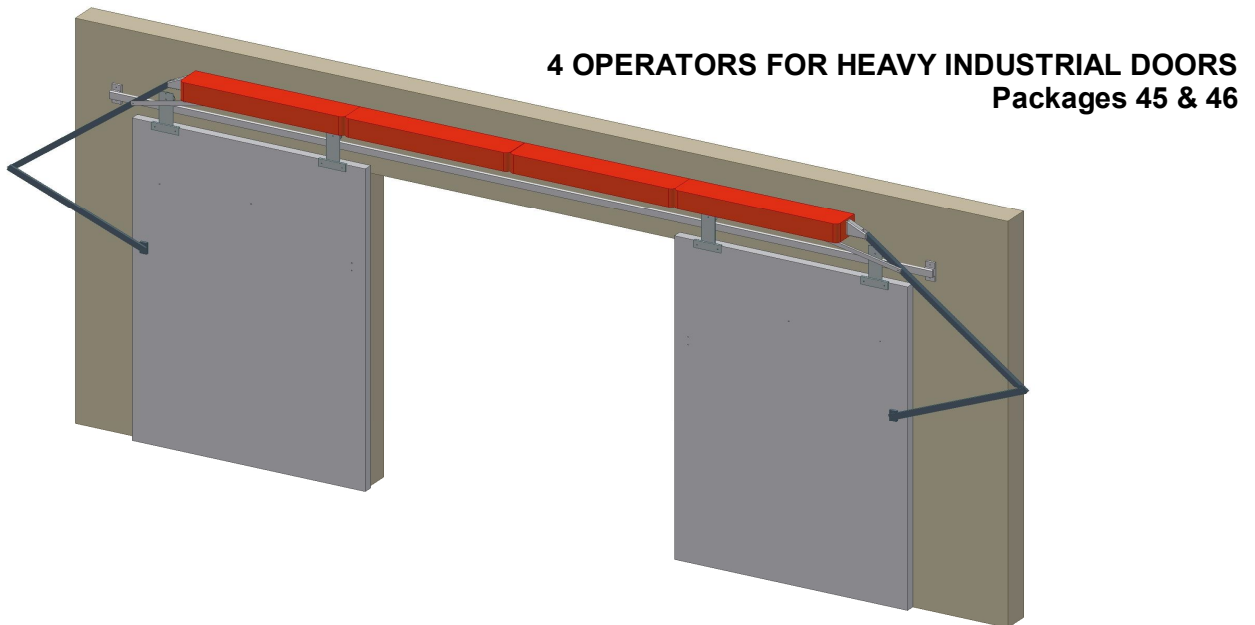
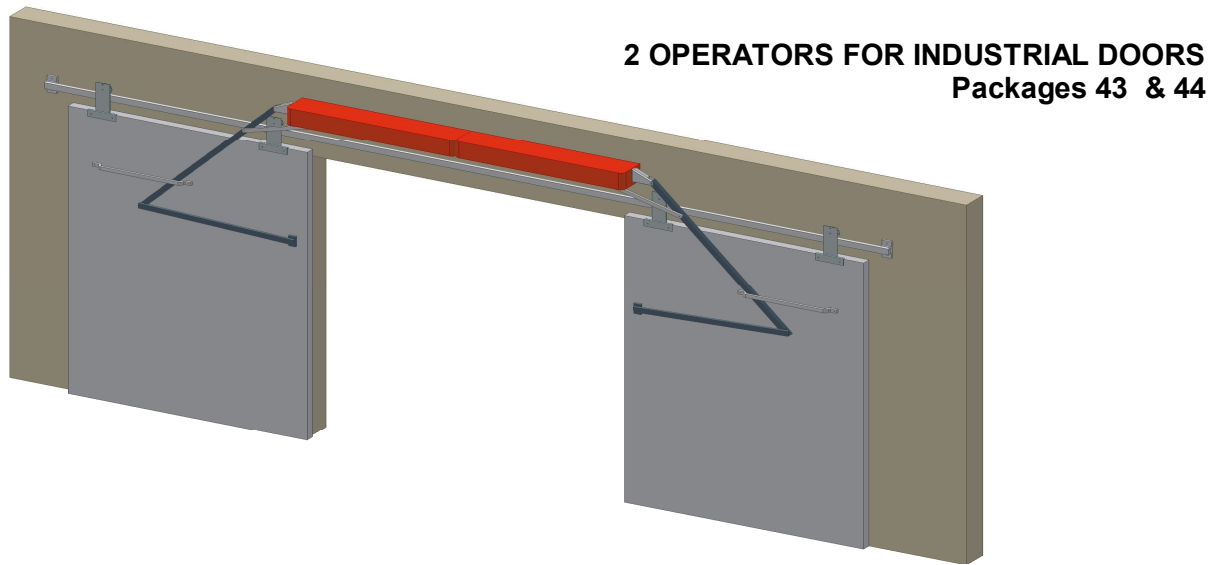
Carey Automatic Door, LLC
1 - PNEUMATIC OPERATOR FOR BI-PART SLIDING DOORS

FOR COMMERCIAL OR CONCEALED APPLICATIONS
Not Available in ALL AIR

| PKG NO. | PART NO. | DESCRIPTION | SIZE OF OPENING |
|---------|----------|--------------------------|-----------------|
| 37 | 307731 | 14" 021 - Spring Closing | 48" to 55" |
| 38 | 307732 | 18" 021 - Spring Closing | 56" to 71" |
| 39 | 307733 | 24" 021 - Spring Closing | 72" to 97" |
| 40 | 307734 | 36" 021 - Power Closing | 98" to 144" |

| PKG NO. 37 | PKG NO. 38 | PKG NO. 39 | PKG NO. 40 | ITEM DESCRIPTION |
|------------|------------|------------|------------|---------------------------|
| 1 - 103155 | -- | -- | -- | OPERATOR OS 14" RH |
| -- | 1 - 103159 | 1 - 103159 | -- | OPERATOR OS 24" RH |
| -- | -- | - | 1 - 103161 | OPERATOR OD 36" RH |
| 1 - 307482 | 1 - 307482 | 1 - 307482 | 1 - 307482 | ACC. PACKAGE - 021 COMMON |
| 1 - 307855 | 1 - 307858 | 1 - 307859 | 1 - 307860 | ACC. PACKAGE - 021 SIZED |
| 1 - 515430 | 1 - 515430 | 1 - 515430 | 1 - 515430 | PLUG-IN RELAY |

Carey Automatic Door, LLC
PNEUMATIC OPERATOR FOR BI-PART SLIDING DOORS



FACTORS TO CONSIDER BEFORE ORDERING:

OPENING: Determines size of operator required.
SAFETY SWITCH: Required when safety device is used.

All operators shipped as single acting. 307479 Closing Valve Kit is available as extra for double acting. Packages 43 & 44. Two Closing Valve Kits (307381, ALL AIR 940100) should be specified for Packages 45 & 46.

FIRE DOOR APPLICATIONS: Refer to Page CP-10.

CONSIDER WHETHER YOU NEED ANY OR ALL OF THE FOLLOWING:

Closing Valve Kit 307479, 307381 or 940100 for Double Acting Operation; Safety Switch 408987; Controls; Track and Hangers refer to Pages CPD-16 & CPD-17.

Carey Automatic Door, LLC
PNEUMATIC OPERATOR FOR BI-PART SLIDING DOORS

2 OPERATORS FOR BI-PART INDUSTRIAL DOORS
For ALL AIR, See Page CP-9B

| PKG NO. | PART NO. | DESCRIPTION | SIZE OF OPENING |
|---------|----------|-------------|-----------------|
| 43 | 307737 | 14" - 09 | Up to 120" |
| 44 | 307738 | 24" - 09 | 121" to 192" |

| PACKAGE NO. 43 | PACKAGE NO. 44 | ITEM DESCRIPTION |
|----------------|----------------|---------------------------|
| 1 - 103156 | -- | OPERATOR OS 14" LH |
| 1 - 103164 | -- | OPERATOR OSS 14" RH SLAVE |
| -- | 1 - 103160 | OPERATOR OS 24" LH |
| -- | 1 - 103168 | OPERATOR OSS 24" RH SLAVE |
| 2 - 307664 | 2 - 307665 | ACCESSORY PACKAGE - 07 |
| 1 - 307549 | 1 - 307550 | SYNCH. CABLE ASSEMBLY |
| 2 - 409318 | 2 - 409318 | DOOR ROD |
| 1 - 515430 | 1 - 515430 | PLUG-IN RELAY |

4 OPERATORS FOR BI-PART HEAVY INDUSTRIAL DOORS
For ALL AIR, See Page CP-9B

| PKG NO. | PART NO. | DESCRIPTION | SIZE OF OPENING |
|---------|----------|-------------|-----------------|
| 45* | 307739 | 14" - 09D | 132" to 192" |
| 46* | 307740 | 24" - 09D | 193" to 288" |

| PACKAGE NO. 45 | PACKAGE NO. 46 | ITEM DESCRIPTION |
|----------------|-----------------|--------------------------------|
| 2 - 103155 (6) | -- | OPERATOR OS 14" RH (LH) |
| 2 - 103164 (5) | -- | OPERATOR OSS 14" RH (LH) SLAVE |
| -- | 2 - 103159 (60) | OPERATOR OS 24" RH (LH) |
| -- | 2 - 103168 (9) | OPERATOR OSS 24" RH (LH) SLAVE |
| 2 - 307639 | 2 - 307640 | ACCESSORY PACKAGE - 07D |
| 4 - 409318 | 4 - 409318 | DOOR ROD |
| 2 - 515430 | 2 - 515430 | PLUG-IN RELAY |

*NOTE: These units are not mechanically synchronized. A Closing Valve Kit and safety switches are required for each pair of operators where double acting operators are used.

Carey Automatic Door, LLC
PNEUMATIC OPERATOR FOR BI-PART SLIDING DOORS

**ALL AIR (2) & (4) OPERATORS FOR
BI-PART (HEAVY) INDUSTRIAL DOOR**

| PKG NO. | PART NO. | DESCRIPTION | SIZE OF OPENING |
|---------|----------|-------------------|-----------------|
| 43AA | 347737 | 14" 09 - ALL AIR | Up to 120" |
| 44AA | 347738 | 24" 09 - ALL AIR | 121" to 192" |
| 45AA | 347739 | 14" 09D - ALL AIR | 132" to 192" |
| 46AA | 347740 | 24" 09D - ALL AIR | 193" to 288" |

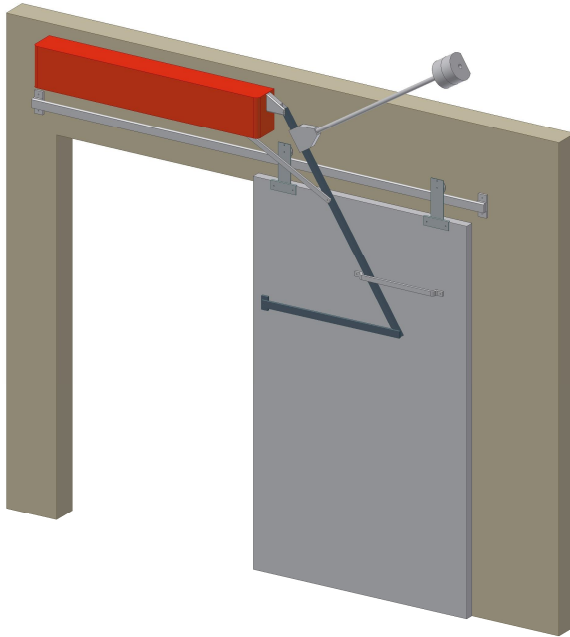
| PKG NO 43AA | PKG NO 44AA | PKG NO 45AA | PKG NO 46AA | ITEM DESCRIPTION |
|-------------|-------------|-------------|-------------|-----------------------------|
| 1 - 103305 | -- | 2 - 103305 | -- | OSX 14" RH ALL AIR OPERATOR |
| 1 - 103306 | -- | 2 - 103306 | -- | OSX 14" LH ALL AIR OPERATOR |
| -- | 1 - 103307 | -- | 2 - 103307 | OSX 24" RH ALL AIR OPERATOR |
| -- | 1 - 103308 | -- | 2 - 103308 | OSX 24" LH ALL AIR OPERATOR |
| 1 - 920100 | 1 - 920100 | 2 - 920100 | 2 - 920100 | ALL AIR VALVE PACKAGE |
| -- | -- | 2 - 307639 | - 307640 | ACCESSORY PACKAGE - 07D |
| 2 - 307664 | 2 - 307665 | -- | -- | ACCESSORY PACKAGE - 07 |
| 1 - 970105 | 1 - 970105 | 1 - 970105 | 1 - 970105 | SYNCHRONIZING FLOW CONTROL |
| 2 - 409318 | 2 - 409319 | 4 - 409318 | 4 - 409319 | DOOR ROD |
| 2 - 402839 | 2 - 402839 | 2 - 402839 | 2 - 402839 | PULL CORD MA-10 OR |
| 2 - 409693 | 2 - 409693 | 2 - 409693 | 2 - 409693 | PALM BUTTON |

See Page C-3 for additional ALL AIR and Explosion Proof information.

Carey Automatic Door, LLC

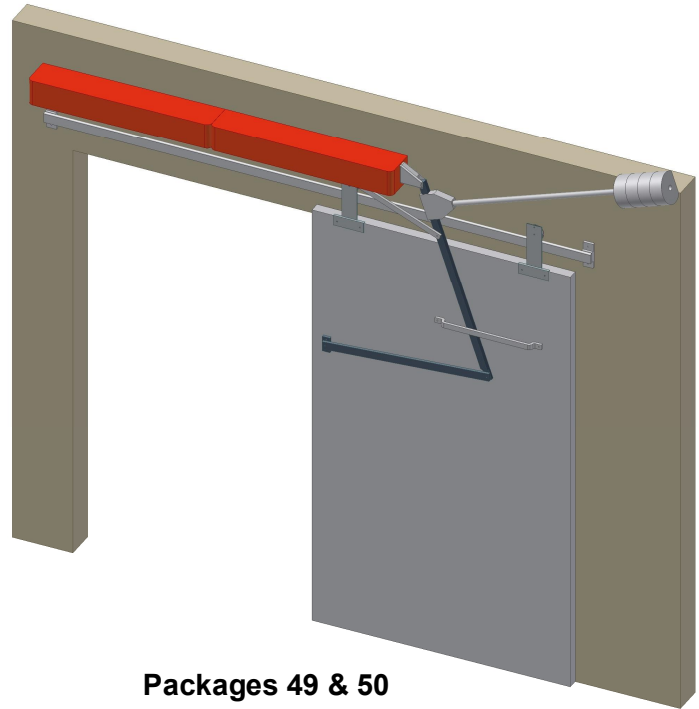
PNEUMATIC OPERATOR FOR SINGLE SLIDING FIRE DOOR

1 - Operator for Sliding Fire Door



Packages 47 & 48

2 - Operators for Sliding Fire Door



Packages 49 & 50

FACTORS TO CONSIDER BEFORE ORDERING:

- HAND:** Specify Right Hand if door opens toward the left when facing operator.
Specify Left Hand if door opens toward the right when facing operator.
- OPENING:** Determines size of operator required.
- SAFETY SWITCH:** Safety Switch 408987 required when safety device is used.
- COUNTERWEIGHTS:** Additional 707047 weights may be required depending on weight of doors and head room available.

COUNTERWEIGHT ARM MAY BE CUT TO A SHORTER LENGTH BY ADDING ANOTHER COUNTERWEIGHT OR WEIGHTS

| DOOR WEIGHT | CUT-OFF DIMENSION | PKGS. 47 & 49 CLEARANCE FOR COUNTERWEIGHT ABOVE OPENING | PKGS. 48 & 50 CLEARANCE FOR COUNTERWEIGHT ABOVE OPENING | NUMBER OF COUNTERWEIGHTS REQUIRED |
|------------------|-------------------|--|--|---|
| Up to 300 lbs. | 14" | 31" to 46" | 38" to 46" | 4 Weights |
| 301 to 600 lbs. | 12" | 36" to 41" | 43" to 48" | 6 Weights |
| 601 to 1000 lbs. | 10" | 40" to 43" | 47" to 50" | 8 Weights |

NOTE: All operators must be single acting as shipped.

CONSIDER WHETHER YOU NEED ANY OR ALL OF THE FOLLOWING:

Counterweights 707047 Additional if required (see above chart); Safety Switch 408987; Controls; Track and Hangers refer to Pages CPD-16 & CPD-17.

Carey Automatic Door, LLC
PNEUMATIC OPERATOR FOR SINGLE SLIDING FIRE DOOR

1 - OPERATOR FOR SINGLE SLIDING FIRE DOOR
For ALL AIR, See Page CP-10B

| PKG NO. | PART NO.* | DESCRIPTION | SIZE OF OPENING |
|---------|-----------|---------------|-----------------|
| 47 | 307741 | 14" - 07 FIRE | Up to 60" |
| 48 | 307742 | 24" - 07 FIRE | 61" to 96" |

| PACKAGE NO. 47 | PACKAGE NO. 48 | ITEM DESCRIPTION |
|----------------|-----------------|--------------------------|
| 1 - 103155 (6) | -- | OPERATOR OS 14" RH (LH) |
| -- | 1 - 103159 (60) | OPERATOR OSS 24" RH (LH) |
| 1 - 307664 | 1 - 307665 | ACCESSORY PACKAGE - 07 |
| 1 - 402497 | 1 - 402498 | OPERATING LEVER |
| 1 - 409318 | 1 - 409319 | DOOR ROD |
| 1 - 306774 | 1 - 306774 | COUNTERWEIGHT ASSEMBLY |
| 1 - 707047 | 1 - 707047 | WEIGHT ONLY |
| 1 - 705967 | 1 - 705967 | SWITCH THERMAL |
| 1 - 515430 | 1 - 515430 | PLUG-IN RELAY |

2 - OPERATORS FOR SINGLE HEAVY SLIDING FIRE DOOR
For ALL AIR, See Page CP-10B

| PKG NO. | PART NO.* | DESCRIPTION | SIZE OF OPENING |
|---------|-----------|----------------|-----------------|
| 49 | 307743 | 14" - 07D FIRE | 60" to 100" |
| 50 | 307744 | 24" - 07D FIRE | 101" to 144" |

| PACKAGE NO. 49 | PACKAGE NO. 50 | ITEM DESCRIPTION |
|----------------|-----------------|--------------------------------|
| 1 - 103155 (6) | -- | OPERATOR OS 14" RH (LH) |
| 1 - 103164 (5) | -- | OPERATOR OSS 14" RH (LH) SLAVE |
| -- | 1 - 103159 (60) | OPERATOR OS 24" RH (LH) |
| -- | 1 - 103168 (69) | OPERATOR OSS 24" RH (LH) SLAVE |
| 1 - 307639 | 1 - 307640 | ACCESSORY PACKAGE - 07D |
| 1 - 402498 | 1 - 402498 | OPERATING LEVER |
| 1 - 409318 | -- | DOOR ROD |
| 1 - 409319 | 2 - 409319 | DOOR ROD |
| 1 - 306774 | 1 - 306774 | COUNTERWEIGHT ASSEMBLY |
| 2 - 707047 | 2 - 707047 | WEIGHT ONLY |
| 1 - 705967 | 1 - 705967 | SWITCH THERMAL |
| 1 - 515430 | 1 - 515430 | PLUG-IN RELAY |

*NOTE: For LH Packages, change 2nd digit of part number to = 8.

Carey Automatic Door, LLC
PNEUMATIC OPERATOR FOR SINGLE SLIDING FIRE DOOR

ALL AIR (1) OPERATOR FOR SINGLE SLIDING FIRE DOOR

| PKG NO. | PART NO.* | DESCRIPTION | SIZE OF OPENING |
|---------|-----------|---------------|-----------------|
| 47AA | 347741 | 14" - 07 FIRE | Up to 60" |
| 48AA | 347742 | 24" - 07 FIRE | 61" to 96" |

| PACKAGE NO. 47AA | PACKAGE NO. 48AA | ITEM DESCRIPTION |
|------------------|------------------|--------------------------|
| 1 - 103305 (6) | -- | OPERATOR OSX 14" RH (LH) |
| -- | 1 - 103307 (8) | OPERATOR OSX 24" RH (LH) |
| 1 - 920100 | 1 - 920100 | ALL AIR VALVE PACKAGE |
| 1 - 307664 | 1 - 307665 | ACCESSORY PACKAGE - 07 |
| 1 - 402497 | 1 - 402498 | OPERATING LEVER |
| 1 - 409318 | 1 - 409319 | DOOR ROD |
| 1 - 306774 | 1 - 306774 | COUNTERWEIGHT ASSEMBLY |
| 1 - 707047 | 1 - 707047 | WEIGHT ONLY |
| 1 - 306265 | 1 - 306265 | FUSIBLE NOZZLE ASSEMBLY |
| 1 - 402839 | 1 - 402839 | PULL CORD MA-10 OR |
| 1 - 409693 | 1 - 409693 | PALM BUTTON |

ALL AIR (2) OPERATORS FOR SINGLE HEAVY SLIDING FIRE DOOR

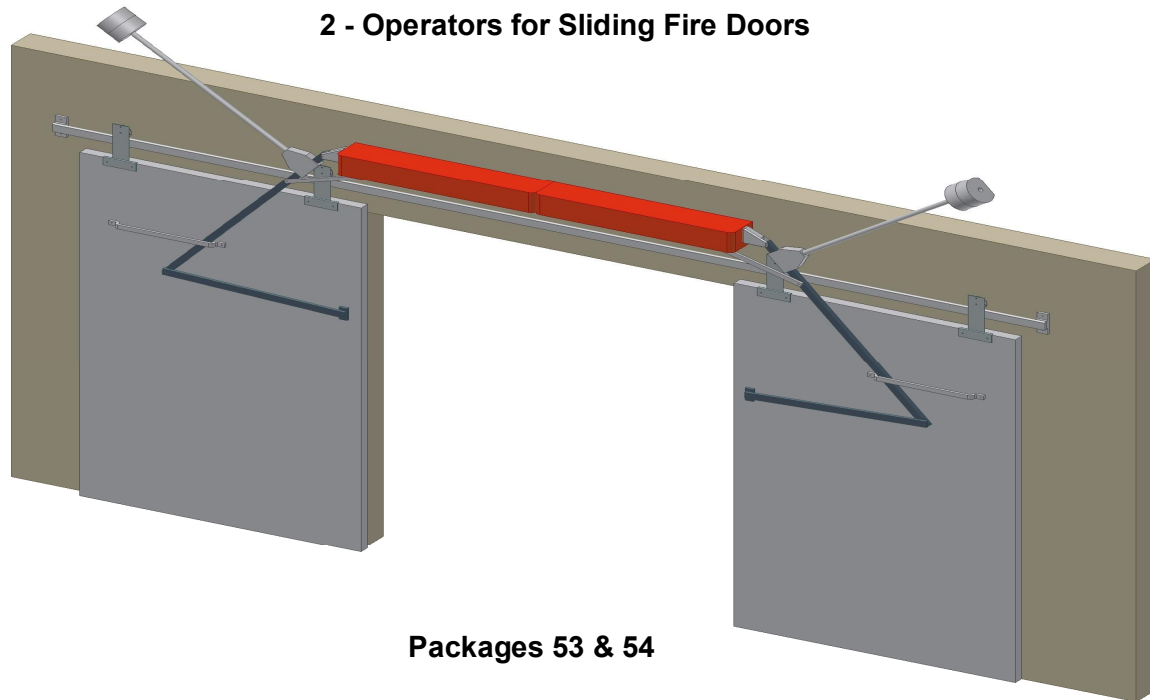
| PKG NO. | PART NO.* | DESCRIPTION | SIZE OF OPENING |
|---------|-----------|----------------|-----------------|
| 49AA | 347743 | 14" - 07D FIRE | 60" to 100" |
| 50AA | 347744 | 24" - 07D FIRE | 101" to 144" |

| PACKAGE NO. 49AA | PACKAGE NO. 50AA | ITEM DESCRIPTION |
|------------------|------------------|--------------------------------|
| 1 - 103305 (6) | -- | OPERATOR OSX 14" RH (LH) |
| 1 - 103305 (6) | -- | OPERATOR OSX 14" RH (LH) SLAVE |
| -- | 1 - 103307 (8) | OPERATOR OSX 24" RH (LH) |
| -- | 1 - 103307 (8) | OPERATOR OSX 24" RH (LH) SLAVE |
| 1 - 920100 | 1 - 920100 | ALL AIR VALVE PACKAGE |
| 1 - 307639 | 1 - 307640 | ACCESSORY PACKAGE - 07D |
| 1 - 402498 | 1 - 306584 | OPERATING LEVER |
| 1 - 409318 | -- | DOOR ROD |
| 1 - 409319 | 2 - 409319 | DOOR ROD |
| 1 - 306774 | 1 - 306774 | COUNTERWEIGHT ASSEMBLY |
| 2 - 707047 | 2 - 707047 | WEIGHT ONLY |
| 1 - 306265 | 1 - 306265 | FUSIBLE NOZZLE ASSEMBLY |
| 1 - 402839 | 1 - 402839 | PULL CORD MA-10 OR |
| 1 - 409693 | 1 - 409693 | PALM BUTTON |

*For LH Packages, change 2nd digit of part number to = 8.

See Page C-3 for additional ALL AIR and Explosion Proof information.

Carey Automatic Door, LLC
PNEUMATIC OPERATOR FOR BI-PART SLIDING FIRE DOORS



FACTORS TO CONSIDER BEFORE ORDERING:

- HAND:** Specify Right Hand if door opens toward the left when facing operator.
Specify Left Hand if door opens toward the right when facing operator.
- OPENING:** Determines size of operator required.
- SAFETY SWITCH:** Safety Switch 408987 required when safety device is used.
- COUNTERWEIGHTS:** Additional 707047 weights may be required depending on weight of doors and head room available.

COUNTERWEIGHT ARM MAY BE CUT TO A SHORTER LENGTH BY ADDING ANOTHER COUNTERWEIGHT OR WEIGHTS

| DOOR WEIGHT | CUT-OFF DIMENSION | PKG. 53 CLEARANCE FOR COUNTERWEIGHT ABOVE OPENING | PKG. 54 CLEARANCE FOR COUNTERWEIGHT ABOVE OPENING | NUMBER OF COUNTERWEIGHTS REQUIRED |
|------------------|-------------------|--|--|---|
| Up to 300 lbs. | 14" | 31" to 39" | 38" to 46" | 4 Weights |
| 301 to 600 lbs. | 12" | 36" to 41" | 43" to 48" | 6 Weights |
| 601 to 1000 lbs. | 10" | 40" to 43" | 47" to 50" | 8 Weights |

NOTE: All operators must be single acting as shipped.

FOR COMPLETE AUTOMATION, YOUR ORDER MUST CONSIST OF THE FOLLOWING:

Package No. 53 or 54, See Page CP-11A; Relay - included 515430; Controls.

CONSIDER WHETHER YOU NEED ANY OR ALL OF THE FOLLOWING:

Counterweights 707047 Additional if required (see above chart); Safety Switch 408987; Controls; Track and Hangers refer to Pages CPD-16 & CPD-17.

Carey Automatic Door, LLC
PNEUMATIC OPERATOR FOR BI-PART SLIDING FIRE DOORS

2 - OPERATORS FOR SLIDING FIRE DOOR
For ALL AIR, See Below

| PKG NO. | PART NO. | DESCRIPTION | SIZE OF OPENING |
|---------|----------|---------------|-----------------|
| 53 | 307747 | 14" - 09 FIRE | Up to 120" |
| 54 | 307748 | 24" - 09 FIRE | 121" to 192" |

| PACKAGE NO. 53 | PACKAGE NO. 54 | ITEM DESCRIPTION |
|----------------|----------------|------------------------------|
| 1 - 103156 | -- | OPERATOR OS 14" LH |
| 1 - 103164 | -- | OPERATOR OSS 14" RH SLAVE |
| -- | 1 - 103160 | OPERATOR OS 24" LH |
| -- | 1 - 103168 | OPERATOR OSS 24" RH SLAVE |
| 2 - 307664 | 2 - 307665 | ACC. PACKAGE - 07 |
| 1 - 307549 | 1 - 307550 | SYNCHRONIZING CABLE ASSEMBLY |
| 2 - 409318 | 2 - 409319 | DOOR ROD |
| 2 - 306774 | 2 - 306774 | COUNTERWEIGHT ASSEMBLY |
| 2 - 707047 | 2 - 707047 | WEIGHT ONLY |
| 1 - 705967 | 1 - 705967 | SWITCH THERMAL |
| 1 - 515430 | 1 - 515430 | PLUG-IN RELAY |

ALL AIR (2) OPERATORS FOR SLIDING FIRE DOOR

| PKG NO. | PART NO. | DESCRIPTION | SIZE OF OPENING |
|---------|----------|---------------|-----------------|
| 53AA | 347747 | 14" - 09 FIRE | Up to 120" |
| 54AA | 347748 | 24" - 09 FIRE | 121" to 192" |

| PACKAGE NO. 53AA | PACKAGE NO. 54AA | ITEM DESCRIPTION |
|------------------|------------------|----------------------------|
| 1 - 103306 | -- | OPERATOR OSX 14" LH |
| 1 - 103305 | -- | OPERATOR OSX 14" RH SLAVE |
| -- | 1 - 103308 | OPERATOR OSX 24" LH |
| -- | 1 - 103307 | OPERATOR OSX 24" RH SLAVE |
| 1 - 920100 | 1 - 920100 | ALL AIR VALVE PACKAGE |
| 2 - 307664 | 2 - 307665 | ACCESSORY PACKAGE - 07 |
| 1 - 970105 | 1 - 970105 | SYNCHRONIZING FLOW CONTROL |
| 2 - 409318 | 2 - 409319 | DOOR ROD |
| 2 - 306774 | 2 - 306774 | COUNTERWEIGHT ASSEMBLY |
| 2 - 707047 | 2 - 707047 | WEIGHT ONLY |
| 1 - 306265 | 1 - 306265 | FUSIBLE NOZZLE ASSEMBLY |
| 1 - 402839 | 1 - 402839 | PULL CORD MA-10 OR |
| 1 - 409693 | 1 - 409693 | PALM BUTTON |

See Page C-3 for additional ALL AIR and Explosion Proof information.