



PARTS LIST

SELF-GENERATING STEAM JACKETED COUNTER TILTING KETTLES

**MODELS: EC-6TW
EC-10TW
EC-12TW**



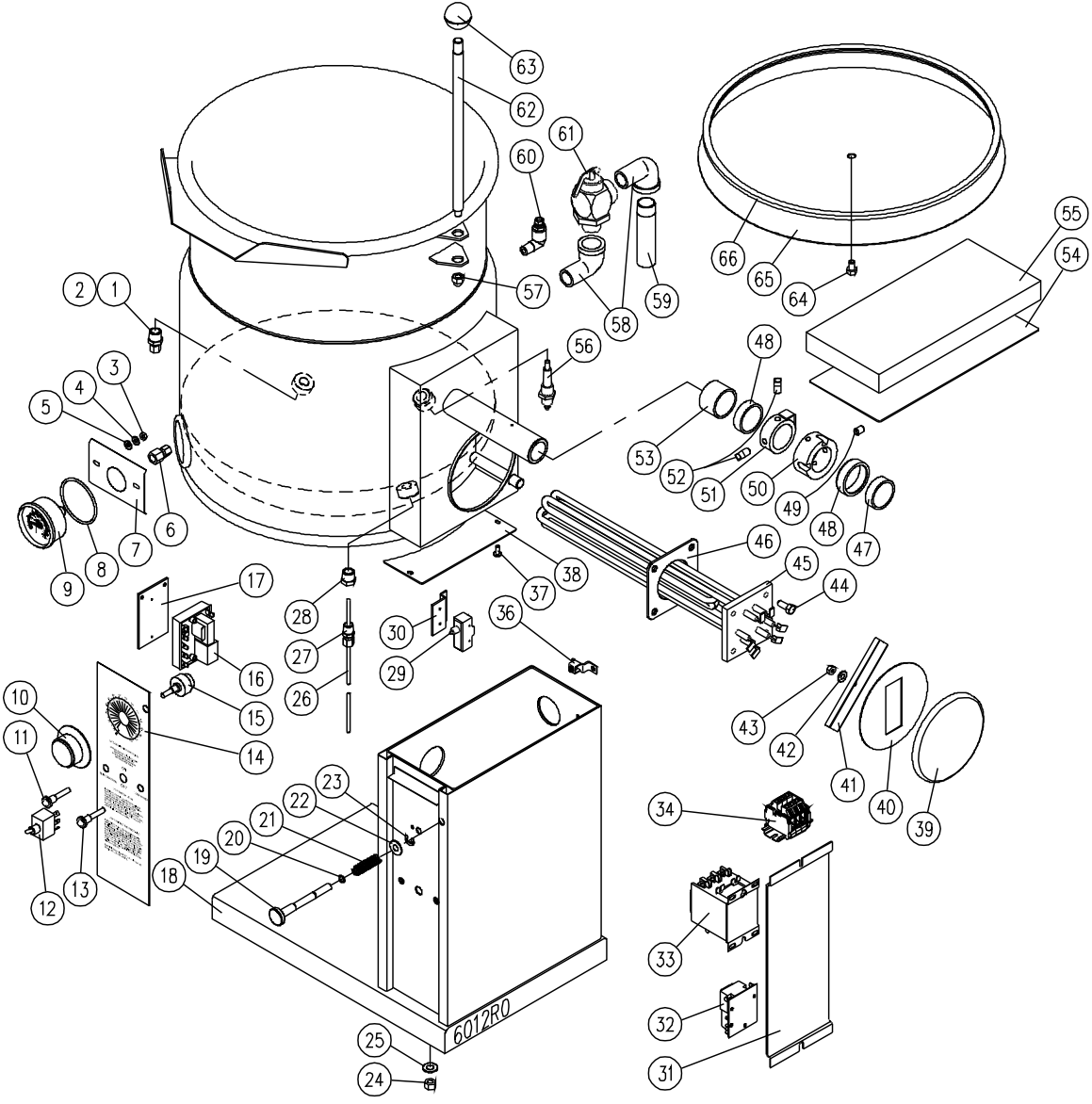
SOLARIS STEAM

4673 OSBORNE DRIVE, SUITE D
EL PASO TX 79922

TELEPHONE: (704) 900-2068
www.entree.biz

PARTS LIST, SELF-GENERATING STEAM JACKETED COUNTER TILTING KETTLES,
EC-6TW, EC-10TW, EC-12TW

FIGURE 1



PARTS LIST, SELF-GENERATING STEAM JACKETED COUNTER TILTING KETTLES,
EC-6TW, EC-10TW, EC-12TW

FIGURE 1

<u>ITEM</u>	<u>PART NO.</u>	<u>DESCRIPTION</u>	<u>QUANTITY</u>	
			<u>EC-6TW</u>	<u>EC-10TW</u> <u>EC-12TW</u>
1.	3-684C	Connector, Brass, 1/4C x 3/8 MPT	1	1
2.	8-3149	Copper Tubing, 1/4		1
	8-3148	Copper Tubing, 1/4	1	
3.	9029-32	Hex Nut, #10-32 UNF	2	2
4.	F01X-10	Flat Washer, #10	2	2
5.	S01X-10	Split Lock Washer, #10	2	2
6.	3-664B	Connector, Brass, 1/4 C x 1/4 FPT	1	1
7.	3407-1	Pressure Gauge Plate	1	1
8.	2-230R	O Ring, 2-3/4 OD x 2-1/2 ID x 1/8 Thick	1	1
9.	4967-1	Pressure Gauge, 100 PSI	1	1
10.	4-TD02	Skirted Knob	1	1
11.	4661-4	Pilot Light, Red, 250V, Temperature	1	1
12.	9110-1	Toggle Switch, DPST, 250 VAC, 6A	1	1
13.	4661-5	Pilot Light, Amber, 250V, Low Water	1	1
14.	7010-1	Control Panel Decal	1	
	6477-1	Control Panel Decal		1
15.	5517-1	Potentiometer c/w Wires & Push On Terminals	1	1

PARTS LIST, SELF-GENERATING STEAM JACKETED COUNTER TILTING KETTLES,
EC-6TW, EC-10TW, EC-12TW

FIGURE 1

<u>ITEM</u>	<u>PART NO.</u>	<u>DESCRIPTION</u>	<u>QUANTITY</u>		
			<u>EC-6TW</u>	<u>EC-10TW</u> <u>EC-12TW</u>	
16.	4174-1	Temperature Control	1	1	
17.	4620-1	Mounting Plate	1	1	
18.	3395-1	Base Assembly	1	1	
19.	4608-1	Locking Pin Sub-Assembly	1	1	
20.	2-011R	O Ring Seal, 7/16 OD x 5/16 ID x 1/16 Thick	1	1	
21.	4623-1	Compression Spring	1	1	
22.	1-W3S7	Flat Washer, 3/8 ID x 7/8 OD x 0.048 Thick	2	2	
23.	1-XR33	External Retaining Ring, 3/8 Shaft	1	1	
24.	9029-3	Hex Nut, 3/8 - 16 UNC	5	5	
25.	F01X-38	Flat Washer, 3/8"	5	5	
26.	4309-1	RTD Sensor Probe Assembly	1	1	
27.	3-683B	Connector, Brass, 3/16 C x 1/4 MPT	1	1	
28.	3-110CB	Bushing, Brass, 3/8 MPT - 1/4 FPT	1	1	
29.	4-M605	Microswitch	1	1	
30.	3408-1	Microswitch Bracket	1	1	
31.	3402-1	Component Mounting Bracket	1	1	
32.	3974-2	Liquid Level Control, 100K, OHM, 240V, 60 Hz	1	1	
**	33.	9348-208	Contactor, 3 Pole, 50A Resistance, 208, 220, 240V	2	2

PARTS LIST, SELF-GENERATING STEAM JACKETED COUNTER TILTING KETTLES,
EC-6TW, EC-10TW, EC-12TW

FIGURE 1

<u>ITEM</u>	<u>PART NO.</u>	<u>DESCRIPTION</u>	<u>QUANTITY</u>	
			<u>EC-6TW</u>	<u>EC-10TW</u> <u>EC-12TW</u>
	9348-208	Contactora, 3 Pole, 50A Resistance, 380, 415, 380/220, 415/240, 480, 600V	1	1
**	34.	6161-3 Modular Terminal Assembly, 3 Pole, 208-240V Includes the following parts:	1	1
		9374-1 Modular Terminal, Grey	3	3
		9375-1 End Plate	1	1
		9369-1 End Clamp	2	2
		9368-079 Mounting Rail	1	1
**	34.	9390-3 Terminal Block Assembly, 3 Pole, 380-600V Includes the following parts:	1	1
		9391-1 Modular Terminal	3	3
		9392-1 End Plate	1	1
		9393-1 End Clamp	2	2
		9394-065 Mounting Rail	1	1
**	34.	9390-4N Terminal Block Assembly, 3 Pole with Neutral, 380/220V & 415/240V, Includes the following parts:	1	1
		9391-1 Modular Terminal	3	3
		9391-2 Modular Terminal, Blue	1	1
		9392-1 End Plate	1	1
		9393-1 End Clamp	2	2

PARTS LIST, SELF-GENERATING STEAM JACKETED COUNTER TILTING KETTLES,
EC-6TW, EC-10TW, EC-12TW

FIGURE 1

<u>ITEM</u>	<u>PART NO.</u>	<u>DESCRIPTION</u>	<u>QUANTITY</u>	
			<u>EC-6TW</u>	<u>EC-10TW</u> <u>EC-12TW</u>
	9394-065	Mounting Rail	1	1
*	35. 3404-1	Kettle Top Cover, Optional	1	
	3441-1	Kettle Top Cover, Optional		1
	36. 4-70EU	Ground Lug	1	1
	37. M33S-1032-12	Truss Slotted HD Screw #10-32 UNF x 1/2 Lg.	2	2
	38. 3400-1	Trunnion Box Bottom Cover	1	
	3438-1	Trunnion Box Bottom Cover		1
	4922-1	Trunnion Box Bottom Gasket	1	
	4922-2	Trunnion Box Bottom Gasket		1
	39. 6570-1	Element Access Cover Assembly	1	1
	40. 4605-1	Gasket	1	1
	41. 4983-1	Element Access Door Channel Brace	1	1
	42. I01X-14	Internal Tooth Lock Washer, 1/4"	1	1
	43. 9029-1	Hex Nut, 1/4"-20 UNC	1	1
	44. M50S-51618-34	Hex HD Screw, 5/16-18 UNC x 3/4 Lg.	4	4
**	45. 7-5015	Heating Element, 7.5 kW, 208V	1	
	7-5016	Heating Element, 7.5 kW, 380/220V	1	

PARTS LIST, SELF-GENERATING STEAM JACKETED COUNTER TILTING KETTLES,
EC-6TW, EC-10TW, EC-12TW

FIGURE 1

<u>ITEM</u>	<u>PART NO.</u>	<u>DESCRIPTION</u>	<u>QUANTITY</u>	
			<u>EC-6TW</u>	<u>EC-10TW</u> <u>EC-12TW</u>
	7-5017	Heating Element, 7.5 kW, 416/240V	1	
	7-5018	Heating Element, 7.5 kW, 480V	1	
	2348-1	Heating Element, 7.5 kW, 600V	1	
	7-5019	Heating Element, 12 kW, 208V		1
	7-5020	Heating Element, 12 kW, 380/220V		1
	7-5021	Heating Element, 12 kW, 416/240V		1
	7-5022	Heating Element, 12 kW, 480V		1
	9-3298-1	Heating Element, 12 kW, 600V		1
*	M93BRB-1032-38	Pan Slotted HD Screw, #10-32 UNF x 3/8 Lg. Brass Nickel Plated, (Element Terminal Screw)	6	6
**	46.	5984-1	Element Gasket	1
		5986-1	Element Gasket	1
	47.	8-6030	Bearing, Oilite, 1-3/4 OD x 1-1/2 ID x 1/2	1
	48.	3415-1	Trunnion Bushing Housing	2
	49.	9061-11	Hex Socket Set Screw, Cup Point 3/8 - 16 UNC x 1/2 Lg.	1
	50.	7011-1	Cam Collar	1
	51.	3546-1	Actuating Collar Assembly	1

PARTS LIST, SELF-GENERATING STEAM JACKETED COUNTER TILTING KETTLES,
EC-6TW, EC-10TW, EC-12TW

FIGURE 1

<u>ITEM</u>	<u>PART NO.</u>	<u>DESCRIPTION</u>	<u>QUANTITY</u>		
			<u>EC-6TW</u>	<u>EC-10TW</u> <u>EC-12TW</u>	
52.	9025-1	Sq. HD Set Screw, 3/8 - 16 NC x 1/2	2	2	
53.	3412-2	Bearing, Oilite 1-3/4 OD x 1-1/2 ID x 1 9/32	1	1	
54.	3745-1	Console Cover Gasket	1	1	
55.	3397-1	Console Top Cover	1	1	
56.	4-LLP1	Probe, 2-1/16 Lg.	1	1	
57.	9031-7	Acorn Nut, 3/8"-16 UNC	1	1	
58.	9012-4P	Street Elbow, 90°, Black Iron, 150#, 3/4" NPT	2	2	
59.	5184-1	Relief Valve Extension	1	1	
60.	3-AV01	Air Vent Assembly	1	1	
61.	3-SRV9-1	Safety Relief Valve, 50 PSI	1	1	
62.	8-2020	Tilt Handle	1	1	
63.	2-KB01	Handle Knob, Red	1	1	
64.	M50S-51618-12	Hex HD Screw, 5/16 - 18 UNC x 1/2 Lg.	1	1	
65.	3403-1	Bottom Cover	1		
	3440-1	Bottom Cover		1	
66.	4618-1	Bottom Cover Gasket	1		
	4618-2	Bottom Cover Gasket		1	
*	67.	4204-8	Wire Harness, Thermostat, Thermalogic	1	1

PARTS LIST, SELF-GENERATING STEAM JACKETED COUNTER TILTING KETTLES,
EC-6TW, EC-10TW, EC-12TW

FIGURE 1

<u>ITEM</u>	<u>PART NO.</u>	<u>DESCRIPTION</u>	<u>QUANTITY</u>	
			<u>EC-6TW</u>	<u>EC-10TW</u> <u>EC-12TW</u>
*	68.	4204-9 Wire Harness, Element to Contactor	1	1
*	69.	M50S-51618-114 Hex HD Screw, 5/16 - 18 UNC x 1-1/4	4	4
*	70.	F01C-516 Flat Washer, 5/16	4	4
* **	71.	4-T251 Transformer, 380/416V-120V 50/60 Hz, 100VA	1	1
		4-T255 Transformer, 480V-120V, 60 Hz, 100VA	1	1
		4-T260 Transformer, 600V-120V, 60 Hz, 100VA	1	1
* **	72.	9092-3 Fuse, 250V, 3A (280-240V Units)	2	2
		9092-3 Fuse, 250V, 3A (380/220V & 415/240V Units)	1	1
		9001-2 Fuse, 600V, 1/2A (380-600V Units)	2	2
* **	73.	9068-1 Fuse Holder, 300V, 25A (208-240V Units)	2	2
		9068-1 Fuse Holder, 300V, 25A, (380/220V & 415/240V Units)	1	1
		9002-1 Fuse Holder, 600V, 30A, (380-600V Units)	2	2
*	74.	3931-1 Faucet Bracket, Optional	1	1

* NOT SHOWN

** SELECT AS REQUIRED