

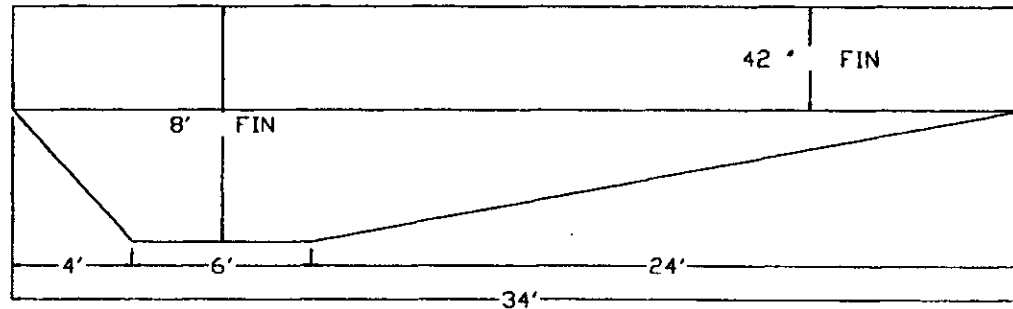
RIGHT

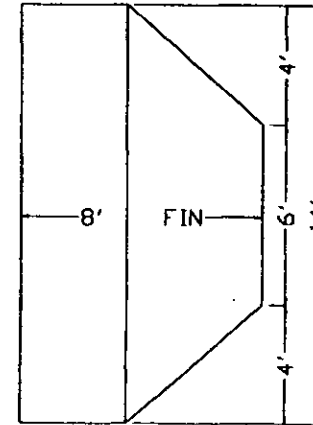
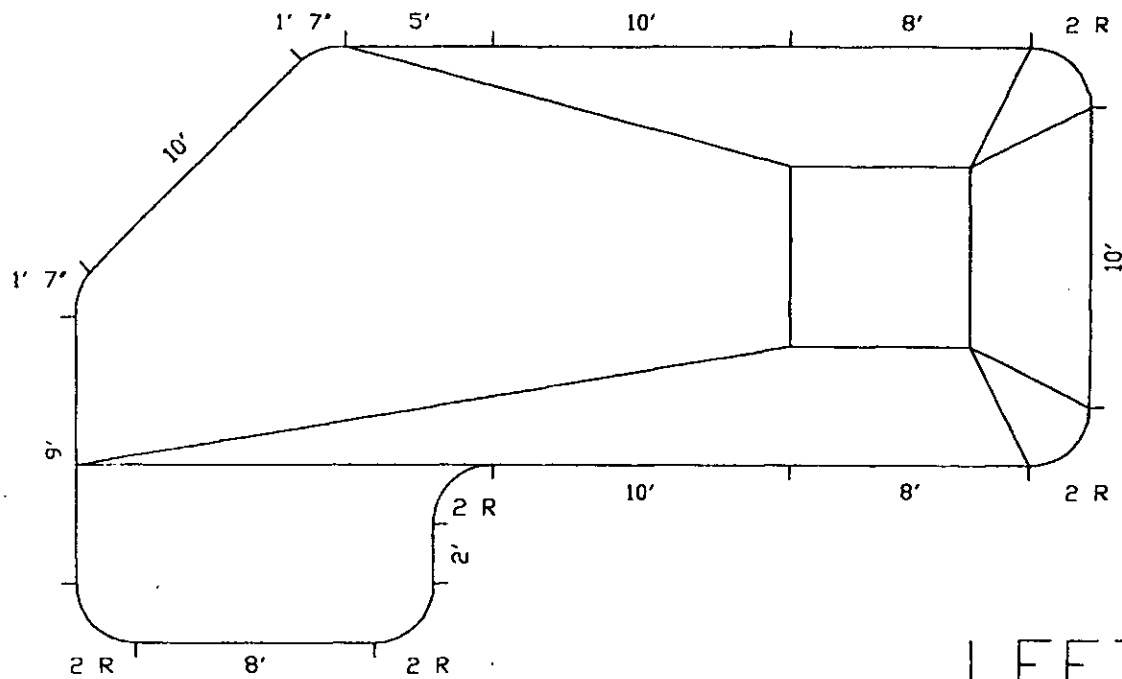
24 BAKER ST., P.O. BOX 100, HASTINGS ON KQL - 1Y0
705-696-2385, 1-800-465-3433, FAX: 705-696-1922

18' X 34 CONTEMPORARY 'L'

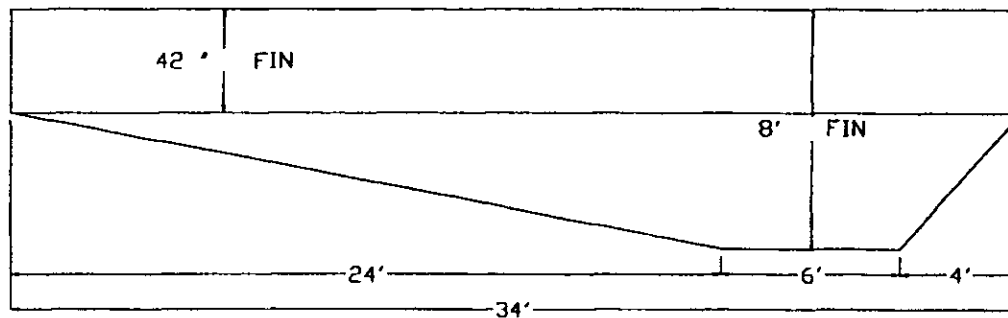
QTY.	LENGTH	RADIUS	TYPE
4	10	NA	PLAIN
1	9'	NA	PLAIN
1	8'	NA	SKIMMER
2	8'	NA	RETURN
1	5'	NA	PLAIN
1	2'	NA	PLAIN
4	3'2"	2'	CORNER
2	1'7"	2'	CORNER
1	3'2"	2'	REVERSE

17	-	NA	A-FRAME
1	-	NA	N&B PKG
			S.A.: 513 sq.ft.
			PER: 99'
1834CONC			DATE: 03-05-03





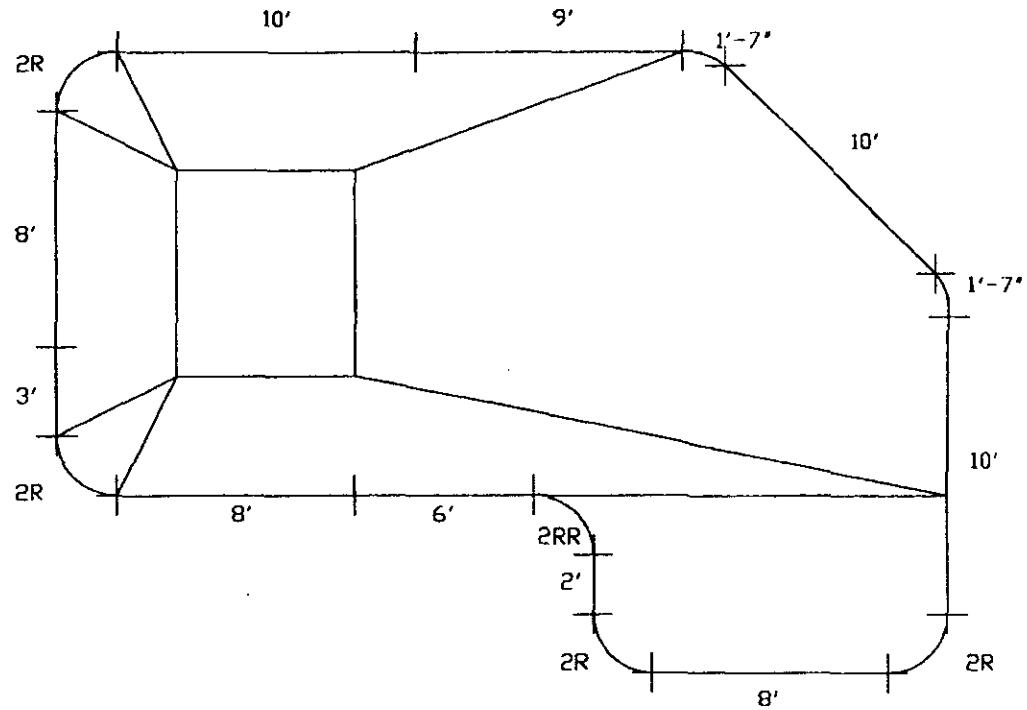
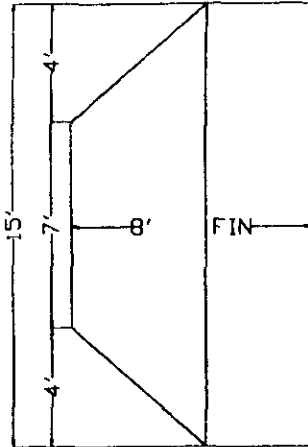
LEFT



24 BAKER ST. P.O. BOX 100, HASTINGS ON KOL - 110
705-696-2385 1-800-465-3433 FAX: 705-696-1922

18' X 34 CONTEMPORARY 'L'

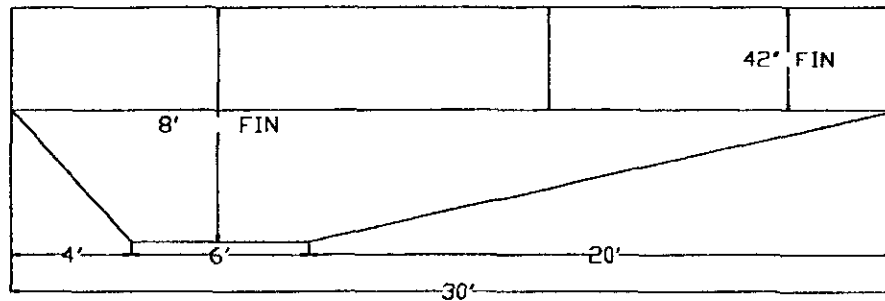
QTY.	LENGTH	RADIUS	TYPE
4	10	NA	PLAIN
1	9'	NA	PLAIN
1	8'	NA	SKIMMER
2	8'	NA	RETURN
1	5'	NA	PLAIN
1	2'	NA	PLAIN
4	3'2"	2'	CORNER
2	1'7"	2'	CORNER
1	3'2"	2'	REVERSE
17	-	NA	A-FRAME
1	-	NA	N&B PKG
			S.A: 513 sq.ft.
			PER: 99'
1834C0NC			DATE: 03-05-03

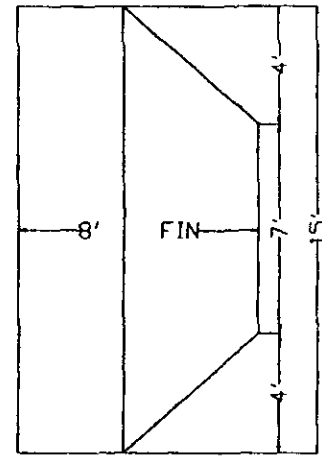
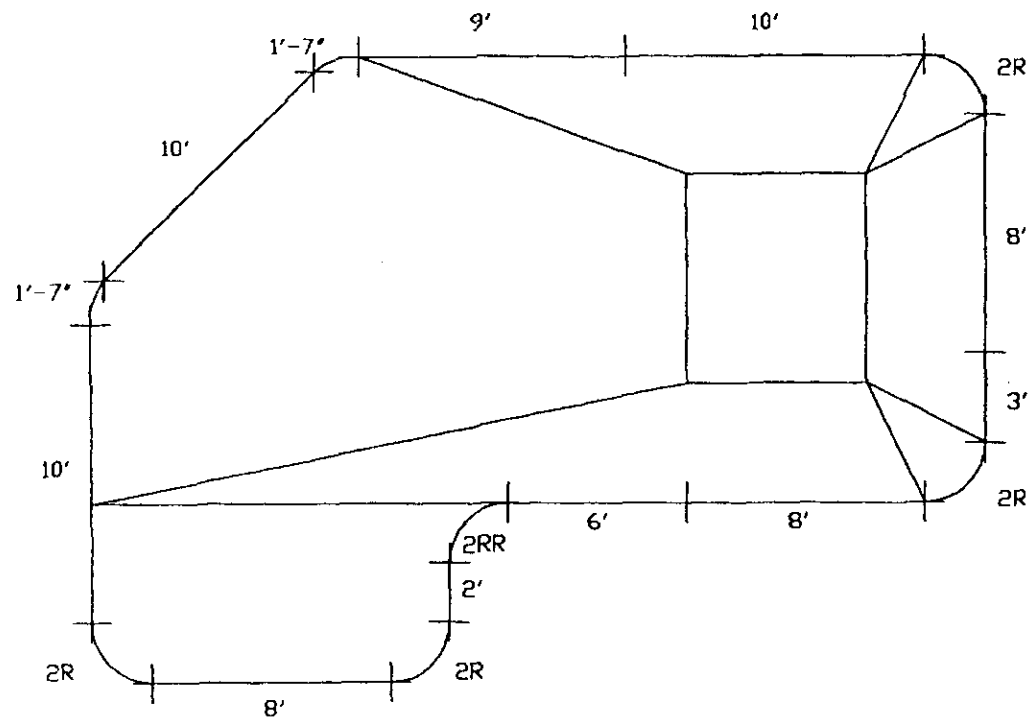


24 BAKER ST., P.O. BOX 100, HASTINGS DN, KOL-1Y0
 705-696-2385, 1-800-465-3433, FAX: 705-696-1922

20'X30' R.H. CONTEMPORARY 'L'

QTY.	LENGTH	RADIUS	TYPE
2	10'0"	NA	PLAIN
1	10'0"	NA	SKIMMER
1	9'0"	NA	PLAIN
1	8'0"	NA	PLAIN
2	8'0"	NA	RETURN
1	6'0"	NA	PLAIN
1	3'0"	NA	PLAIN
1	2'0"	NA	PLAIN
4	3'2"	2'0"	CORNER
2	1'7"	2'0"	CORNER
1	3'2"	2'0"	REV CORNER
17	-	NA	A-FRAME
1	-	NA	N&B PKG
			S.A. 486 sq.ft.
			PER: 93'
2030CNC			DATE: 10-11-00

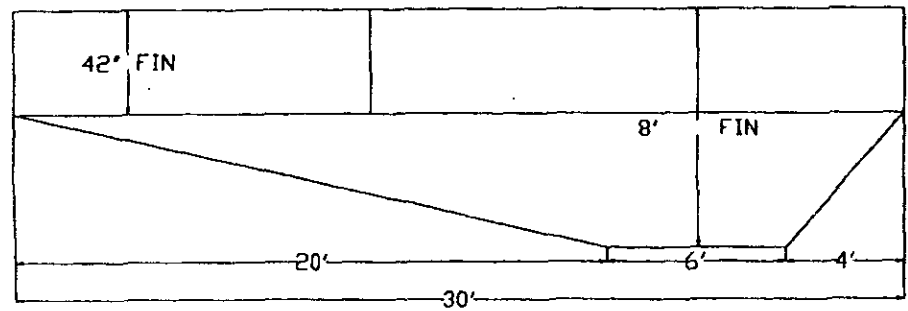




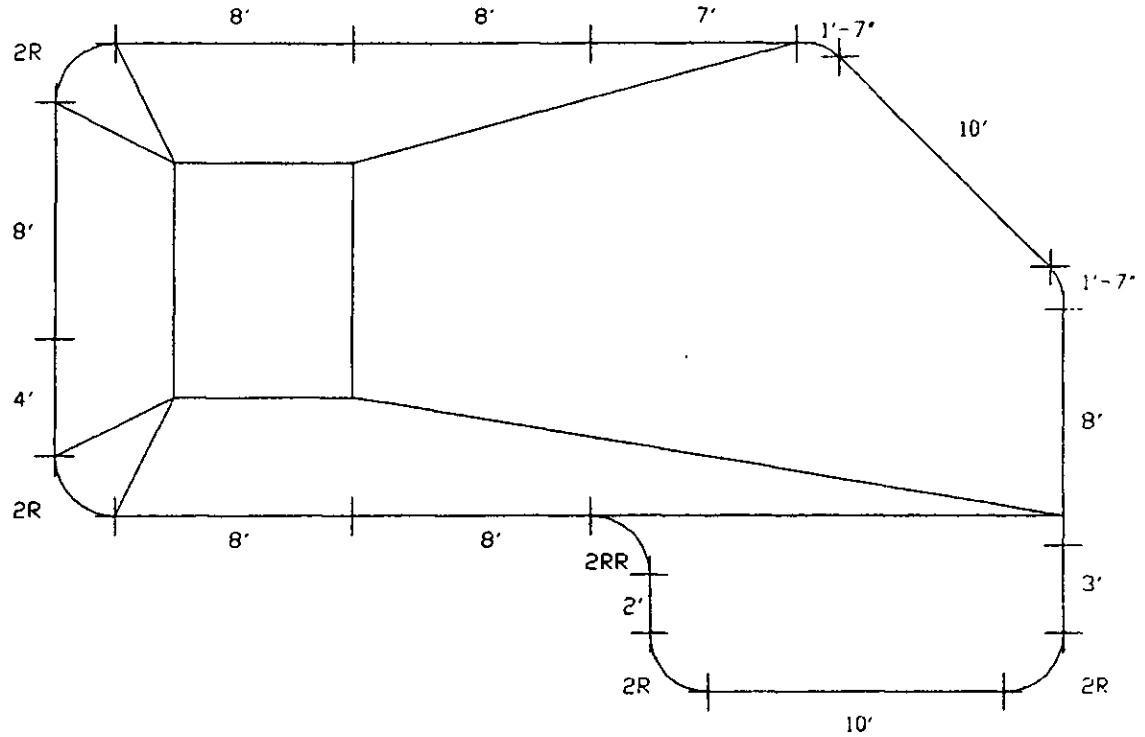
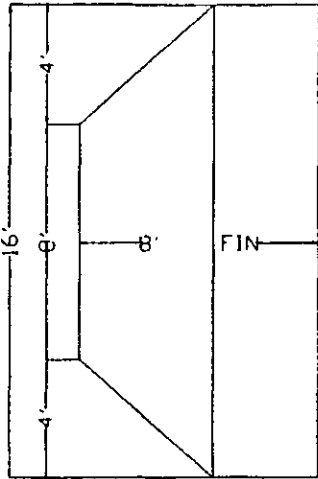
24 BAKER ST, P.O. BOX 100, HASTINGS DNKOL-1Y0
 705-696-2385, 1-800-465-3433, FAX 705-696-1922

20'X30' L.H. CONTEMPORARY 'L'

QTY.	LENGTH	RADIUS	TYPE
2	10'0"	NA	PLAIN
1	10'0"	NA	SKIMMER
1	9'0"	NA	PLAIN
1	8'0"	NA	PLAIN
2	8'0"	NA	RETURN
1	6'0"	NA	PLAIN
1	3'0"	NA	PLAIN
1	2'0"	NA	PLAIN
4	3'2"	2'0"	CORNER
2	1'7"	2'0"	CORNER
1	3'2"	2'0"	REV CORNER



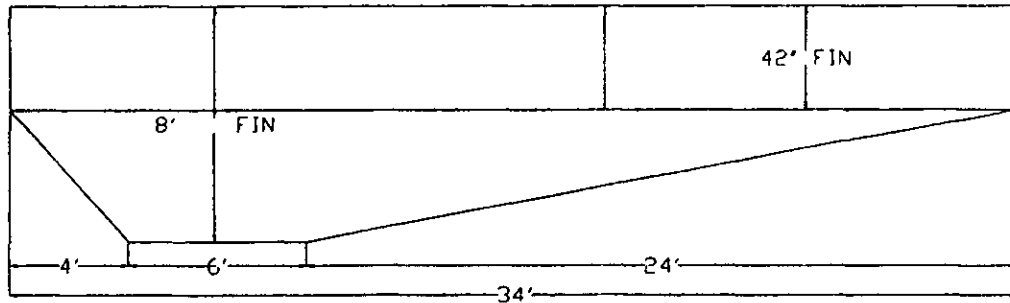
17	-	NA	A-FRAME
1	-	NA	N&B PKG
			S.A.: 486 sq.ft.
			PER: 93'
2030COND			DATE: 10-11-00

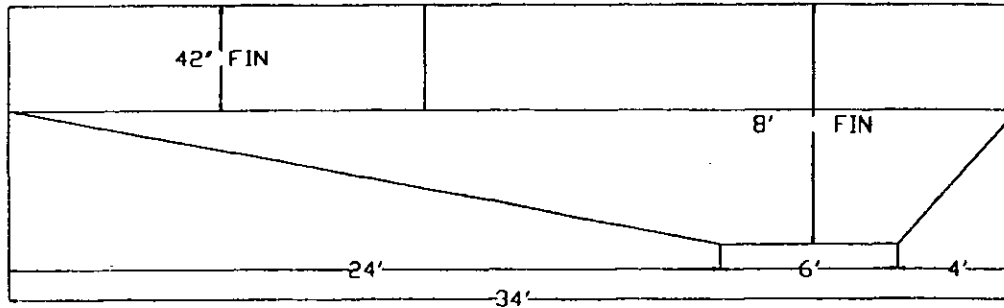
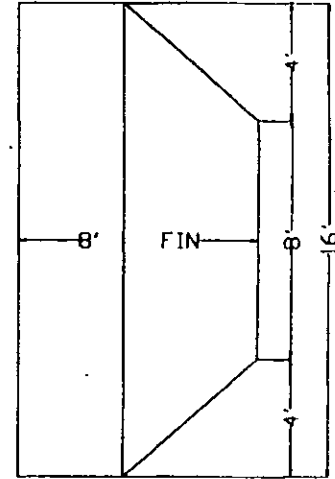
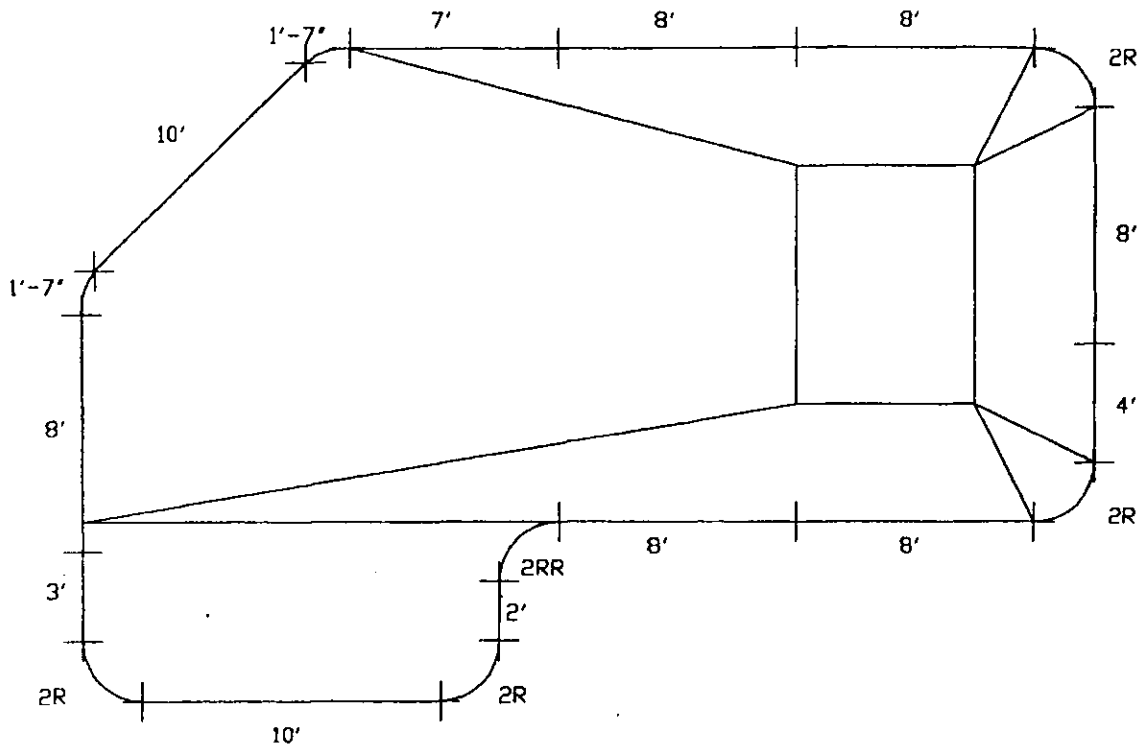


24 BAKER ST, P.O. BOX 100, HASTINGS ON KOL - IYO
 705-696-2385, 1-800-465-3433, FAX: 705-696-1922

22'X34' R.H. CONTEMPORARY 'L'

QTY.	LENGTH	RADIUS	TYPE
2	10'0"	NA	PLAIN
3	8'0"	NA	PLAIN
2	8'0"	NA	RETURN
1	8'0"	NA	SKIMMER
1	7'0"	NA	PLAIN
1	4'0"	NA	PLAIN
1	3'0"	NA	PLAIN
1	2'0"	NA	PLAIN
4	3'2"	2'0"	CORNER
2	1'7"	2'0"	CORNER
1	3'2"	2'0"	REV CORNER
19	-	NA	A-FRAME
1	-	NA	N&B PKG
			S.A.: 592 sq.ft.
			PER: 103'
2234CQNC			DATE: 12-03-98





24 BAKER ST., P.O. BOX 100, HASTINGS DN.KOL -1Y0
 705-696-2385, 1-800-465-3433, FAX: 705-696-1922

22'X34' L.H. CONTEMPORARY 'L'

QTY.	LENGTH	RADIUS	TYPE
2	10'0"	NA	PLAIN
3	8'0"	NA	PLAIN
2	8'0"	NA	RETURN
1	8'0"	NA	SKIMMER
1	7'0"	NA	PLAIN
1	4'0"	NA	PLAIN
1	3'0"	NA	PLAIN
1	2'0"	NA	PLAIN
4	3'2"	2'0"	CORNER
2	1'7"	2'0"	CORNER
1	3'2"	2'0"	REV CORNER
19	-	NA	A-FRAME
1	-	NA	N&B PKG
			S.A. 592 sq.ft.
			PER: 103'
2234CDNC			DATE: 10-11-00