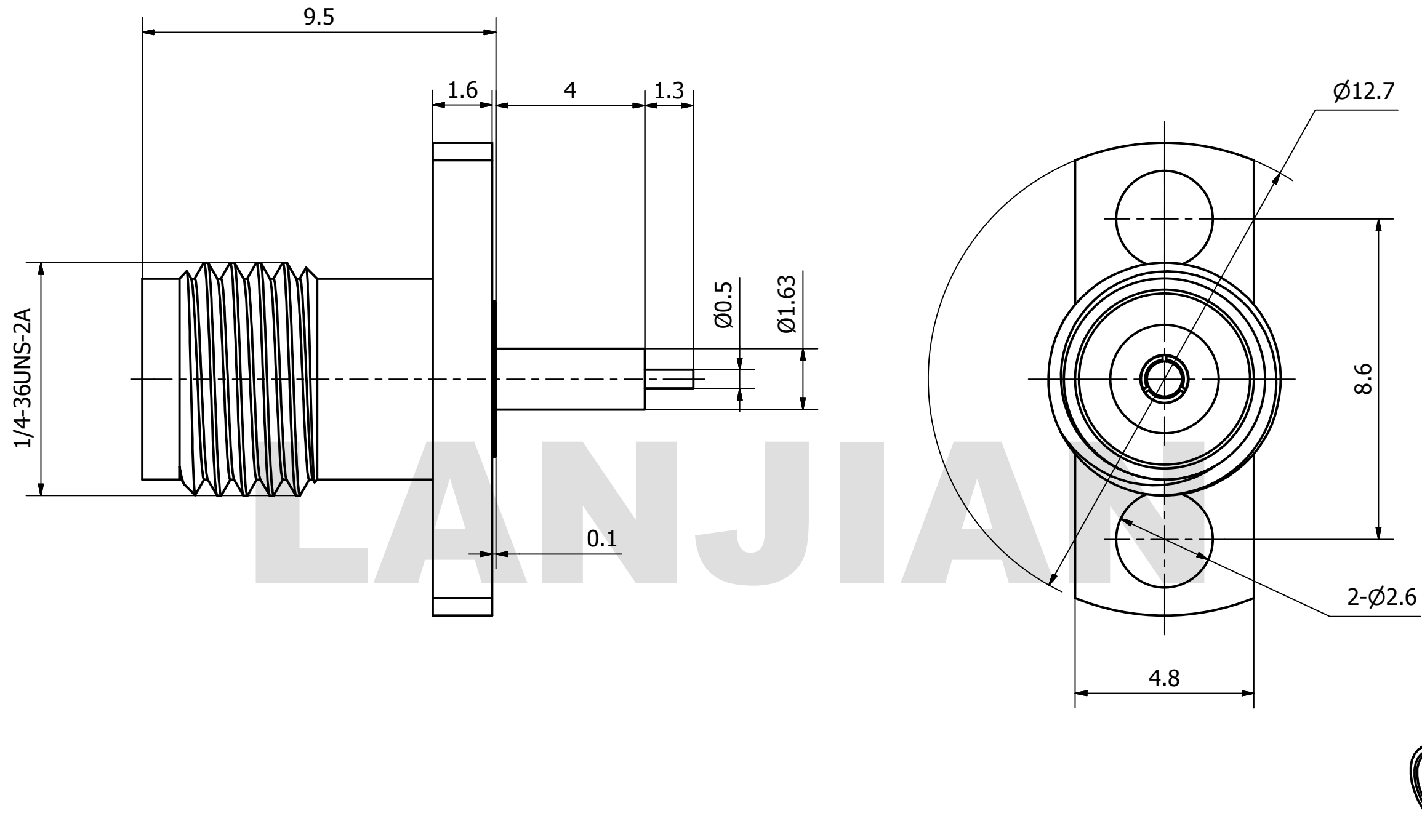


PRODUCT DATA SHEET



MATERIAL:
 BODY: BRASS
 CONTACT: BERYLLIUM COPPER PER ASTM B196.
 ALLOY NO. UNS C17300
 INSULATOR: PEI & PTFE

PERFORMANCE:
 IMPEDANCE: 50 OHMS
 FREQUENCY: DC TO 40 GHz
 VSWR: ≤ 1.25

THIS DOCUMENT CONTAINS CONFIDENTIAL AND PROPRIETARY INFORMATION THAT CANNOT BE REPRODUCED OR DIVULGED, IN WHOLE OR IN PART, WITHOUT WRITTEN AUTHORIZATION FROM "LANJIAN ELECTRONICS"	MATERIAL :			
	UNLESS OTHERWISE SPECIFIED: DIMENSIONS IN MM			
	TOLERANCES :			
	X.X	± 0.20	ANGULAR : $\pm 1^\circ$	DEBURR AND BREAK SHARP EDGES
	X.XX	± 0.10	FILLETS R/C : ± 0.10	
	X.XXX	± 0.01	SURFACE FINISH : Ra 1.6	
	NAME	DATE	SIGNATURE	
DRAWN				
CHK'D				
APPV'D				
MFG				
PROJECTION		SIZE	SCALE	DWG No. GCPZ3.660.C.039 DO NOT SCALE THE DRAWING
		A3	8 : 1	
				TITLE 2.92-KFD2-127050P straight microstrip connector
				38 Hengtong Road, Xinqu Dingmao Zhenjiang, 212009, Jiangsu, P. R. China
				REV. PAGE 1 / 1