

AUDIO & PTT DELAY MODULE



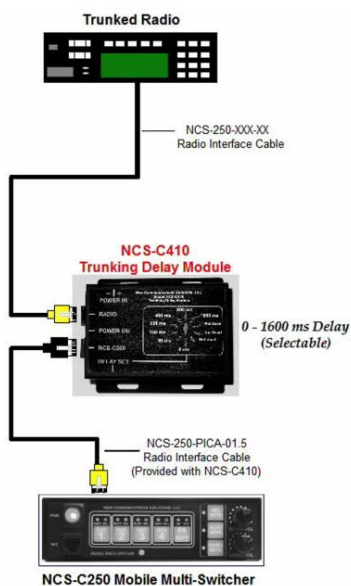
Features

- ⊗ Resolves problem with cross patching conventional radio system to trunked radio systems
- ⊗ Interfaces with existing NCS radio cables
- ⊗ User selectable delay
- ⊗ Easy set-up
- ⊗ No software required

The NCS-C410 Audio & PTT Delay Module is a "must have" when connecting trunking system radios to the NCS-C150, NCS-C200, NCS-C250 or NCS-C251. When installed between the NCS switcher and the trunking radio, the NCS-C410 delays the transmitted audio and PTT release while the trunking system acquires a clear channel. This allows the operator to transmit immediately after pressing the PTT without dropping syllables or words at the beginning of the transmission.

The NCS-C410 requires 12 VDC @ 250mA. It may also be used in other applications where Audio & PTT delay is required. The interface cable to the NCS switcher and power cable are provided. Radio Interface Cables are sold separately.

Setup is simple and requires selecting the proper acquisition delay time for your trunking system. Available delay times are 0 ms, 50 ms, 100 ms, 200 ms, 400 ms, 800 ms, 1600 ms and 3200 ms. These values are switch selectable on the side of the unit.



Typical Application

General Specifications

Dimensions (approximate): 1.75" H x 3.25" W x 4.5" D

Weight: 7.4 oz

Temperature Range: 0° to +50°C

Power Requirements: + 12 to +15 VDC @ 250mA typical