

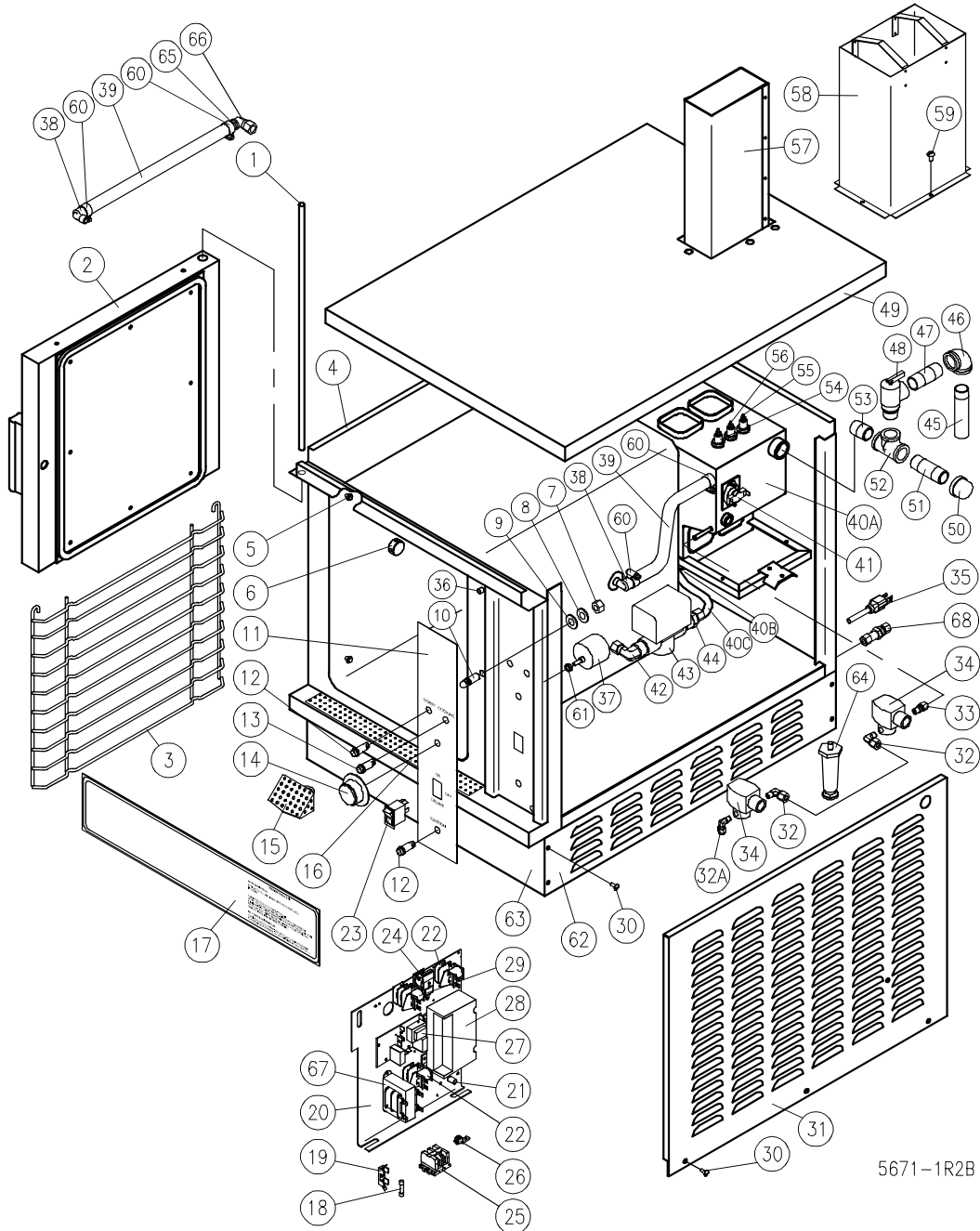
PARTS LIST
GAS CONVECTION COUNTER STEAMER
MODEL SX-5GR



SOLARIS STEAM
www.entree.biz

PARTS LIST, GAS CONVECTION COUNTER STEAMER, MODEL SX-5GR

FIGURE 1



5671-1R2B

PARTS LIST, GAS CONVECTION COUNTER STEAMER, MODEL SX-5GR

FIGURE 1

<u>ITEM</u>	<u>PART NO.</u>	<u>DESCRIPTION</u>	<u>QTY.</u>	
1.	8-5077-8	Hinge Rod	1	
2.	8-5076-8	Door Assembly	1	
3.	2681-3	Pan Rack	2	
4.	6472-1	Left Hand Side and Back Panel	1	
5.	4721-1	Rack Pin Assembly	6	
6.	3502-2	Steam Diverter	2	
7.	1-89S0	Hex Nut	1	
8.	1-90S0	Lock Washer	1	
9.	8-5022	Washer	1	
10.	8-5021	Striker	1	
11.	6473-1	Control Decal	1	
12.	4-PL04	Pilot Light - Green	2	
13.	4-PL07	Pilot Light - Red	1	
14.	4104-1	Dial - 60 Minutes	1	
15.	5224-1	Compartment Strainer	1	
16.	8-5023	Perforated Door Trough	1	
17.	6425-1	Operation Instruction Decal	1	
**	18.	9092-2	Fuse, 2A, 250V, (120V Unit)	1
		9092-1	Fuse, 1A, 250V, (220V Unit)	1
	19.	9068-1	Fuse Holder	1
	20.	6444-1	Component Mounting Board	1
	21.	9126-1	Operating Thermostat	1
	22.	9-3175-1	Relay	2
	23.	9124-2	Power Switch	1

PARTS LIST, GAS CONVECTION COUNTER STEAMER, MODEL SX-5GR

<u>ITEM</u>	<u>PART NO.</u>	<u>DESCRIPTION</u>	<u>QTY.</u>
24.	3821-1	Buzzer	1
25.	4-22ES	End Section	1
	4-22TB	Terminal Block Section	2
26.	4-70EU	Ground Lug	1
** 27.	4038-4	Level Control, 10K, OHM, 120V	1
	5230-1	Level Control, 1 M, OHM, (Optional)	1
28.	9210-2	Ignition Module, Intermittent Pilot	1
29.	9-3174-1	Relay	1
30.	1-34S4	Screw, 10-32 x 1/2	17
31.	6471-1	Right Hand Side Panel	1
32.	3-696A	Elbow, 3/8C x 1/8 MPT	2
32A.	3-694A	Elbow, 1/4C x 1/8 MPT	1
33.	3-684A	Connector, 1/4C x 1/8 MPT	1
34.	5162-1	Solenoid Valve	2
35.	4127-3	Cord Set, 120V	1
36.	9-3213	Door Switch	1
	9-3336	Switch Actuator c/w Clip	1
37.	4-T210	Timer, 60 Minutes	1
38.	3-1398B	Hose Barb Elbow, 1/2 - 1/4 NPT	2
39.	9268-130	Right Hand/Left Hand Steam Hose	2
40A.	7349-3	Generator Tank	1
40B.	3-6910E	Elbow Fitting	1
40C.	5255-1	Drain Tube	1
41.	4874-3	High Limit Sensor	1
42.	3-698E	Elbow, 1/2C x 3/4 MPT	1

PARTS LIST, GAS CONVECTION COUNTER STEAMER, MODEL SX-5GR

<u>ITEM</u>	<u>PART NO.</u>	<u>DESCRIPTION</u>	<u>QTY.</u>	
43.	3-S543	Blowdown Solenoid	1	
44.	3-6810E	Connector, 5/8C x 3/4 MPT	1	
45.	5184-1	Down Tube	1	
46.	3-100E	Elbow, 3/4"	1	
47.	9090-024	Nipple, 3/4" x 2-1/2"	1	
48.	5286-1	Relief Valve, 5 PSI	1	
49.	4517-1	Top Cover	1	
50.	3-108E	Cap, 3/4"	1	
51.	9090-034	Nipple, 3/4" x 3-1/2"	1	
52.	3-101E	Tee, 3/4"	1	
53.	3-112E	Close Nipple, 3/4"	1	
54.	3738-9	Probe - Low Level Cut Off	1	
55.	3738-7	Probe - High Level	1	
56.	3738-8	Probe - Low Level	1	
57.	4523-1	Flue Assembly	1	
58.	4876-1	Flue Cover Assembly	1	
59.	M93S-1420-12	Screw, 1/4 - 20 x 1/2	6	
60.	9017-6	Hose Clamp, 0.62 - 0.81	4	
61.	9109-1	Rotary Shaft Seal	1	
**	62.	6448-1	Right Hand Side Riser Panel	1
*		6447-1	Left Hand Side Riser Panel	1
	63.	6445-1	Front Riser Panel	1
*	63.	6446-1	Rear Riser Panel	1
	64.	5-FS66	Appliance Leg	4
*	65.	3-1258B	Hose Barb, Brass, 1/2 x 1/4 MPT	1

PARTS LIST, GAS CONVECTION COUNTER STEAMER, MODEL SX-5GR

<u>ITEM</u>	<u>PART NO.</u>	<u>DESCRIPTION</u>	<u>QTY.</u>	
* 66.	3-708B	Elbow 90°, Brass, 1/2 C x 1/4 FPT	1	
* 67.	9-3383	Transformer, 115/24V, 40VA	2	
	68.	3-776	Bulkhead Union, Brass, 3/8 C	1
* 69.	4204-51	Wire Harness	1	
* 70.	3-686C	Thermostat Bulb Fitting	2	
** * 71.	4-T265	Transformer, 100VA, 220-240/110-120, 50/60 Hz	1	

* NOT SHOWN.

** SELECT AS REQUIRED.

PARTS LIST, GAS CONVECTION COUNTER STEAMER, MODEL SX-5GR

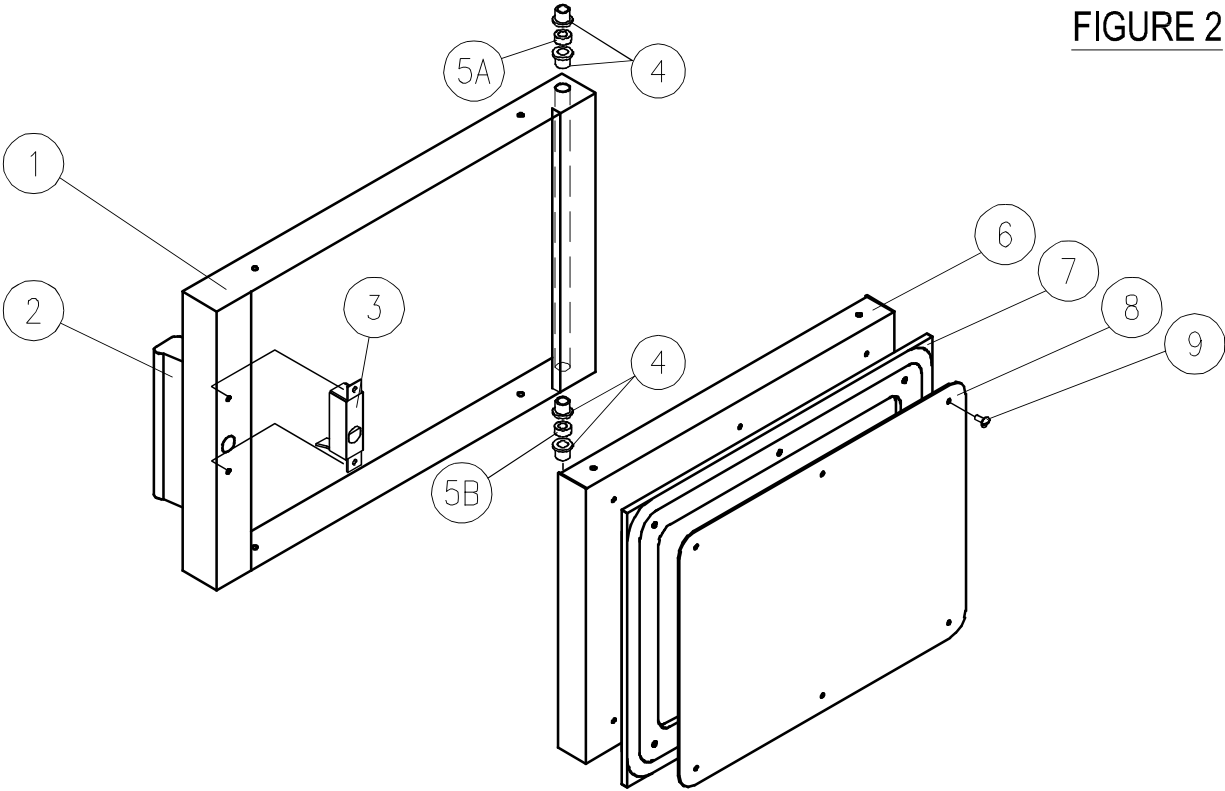


FIGURE 2

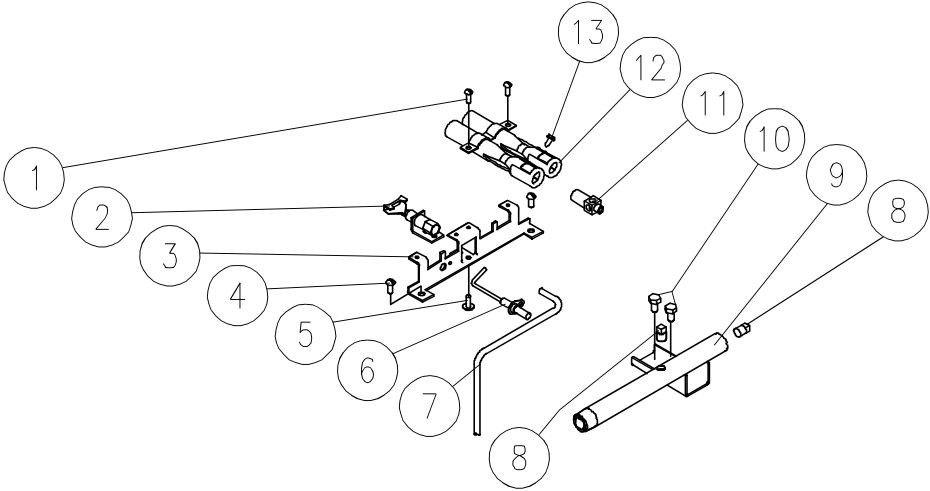


FIGURE 3

PARTS LIST, GAS CONVECTION COUNTER STEAMER, MODEL SX-5GR

FIGURE 2

<u>ITEM</u>	<u>PART NO.</u>	<u>DESCRIPTION</u>	<u>QUANTITY</u>
1.	8-5060-8	Door Frame	1
2.	3903-2	Door Handle Assembly	1
	3646-1	Door Handle Decal	1
3.	8-5068-9	Latch Assembly	1
4.	8-5078	Bushing	4
5A.	5716-1	Spacer, Upper	1
5B.	5717-1	Spacer, Lower	1
6.	8-5065-8	Door Panel	1
7.	8-5063-8	Door Gasket	1
8.	8-5064-8	Gasket Plate	1
9.	9-1011-1	Gasket Panel Screws	8
10.	8-5076-8	Door Assembly	1

PARTS LIST, GAS CONVECTION COUNTER STEAMER, MODEL SX-5GR

FIGURE 3

BURNER PARTS

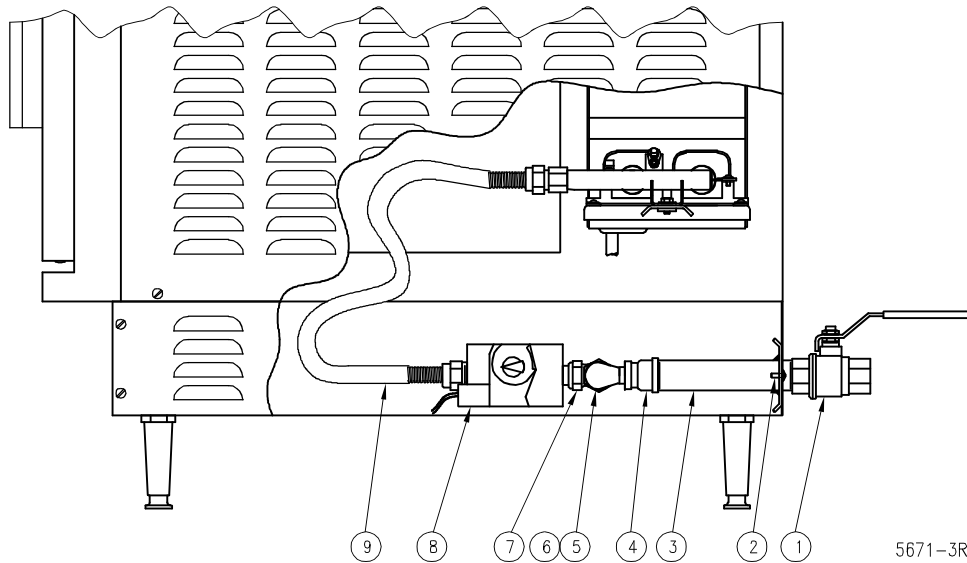
<u>ITEM</u>	<u>PART NO.</u>	<u>DESCRIPTION</u>	<u>QUANTITY</u>	
1.	T50C-832-14	Hex Screw, 8 - 32 x 1/4	4	
**	2.	5375-1	Pilot Burner, LP	1
		5375-2	Pilot Burner, Natural Gas	1
3.	6748-1	Burner Mounting Bracket	1	
4.	M29S-1032-38	Machine Screw	2	
5.	M29X-1032-14	Machine Screw, 10-32 x 1/4	2	
6.	5362-1	Spark Electrode	1	
7.	5774-3	Pilot Tube	1	
8.	9035-1	Plug, 1/8 NPT	2	
**	9.	6949-1	Gas Manifold Assembly, Natural	1
		6949-2	Gas Manifold Assembly, L.P.	1
10.	M50X-1420-12	Machine Bolt, 1/4-20 x 1/2	2	
**	11.	4951-64	Jet Orifice, #64, LP	4
		4951-53	Jet Orifice, #53, Natural Gas	4
**	12.	6749-1	Twin Burner, Natural	2
		7745-1	Twin Burner, L.P.	2
**	13.	A54C-6-38	Sheet Metal Screw, (Natural)	4

* NOT SHOWN.

** SELECT AS REQUIRED.

PARTS LIST, GAS CONVECTION COUNTER STEAMER, MODEL SX-5GR

FIGURE 4



5671-3R1

<u>ITEM</u>	<u>PART NO.</u>	<u>DESCRIPTION</u>	<u>QUANTITY</u>	
1.	3-BVE0	Ball Valve, 3/4"	1	
2.	M93S-1032-12	Screw, #10 - 32 x 12	2	
3.	6433-4	Gas Supply Pipe Assembly	1	
4.	9034-1	Reducing Coupling	1	
5.	9012-3	90 Degree Street Elbow	1	
6.	9009-000	Close Nipple, 1/2"	1	
7.	3-U4BE	Union Elbow, 1/2"	1	
**	8.	5450-1	Combination Gas Control - Natural	1
		5450-2	Combination Gas Control - Propane	1
9.	9026-18	Flex Tube, 1/2" x 18	1	

** SELECT AS REQUIRED.