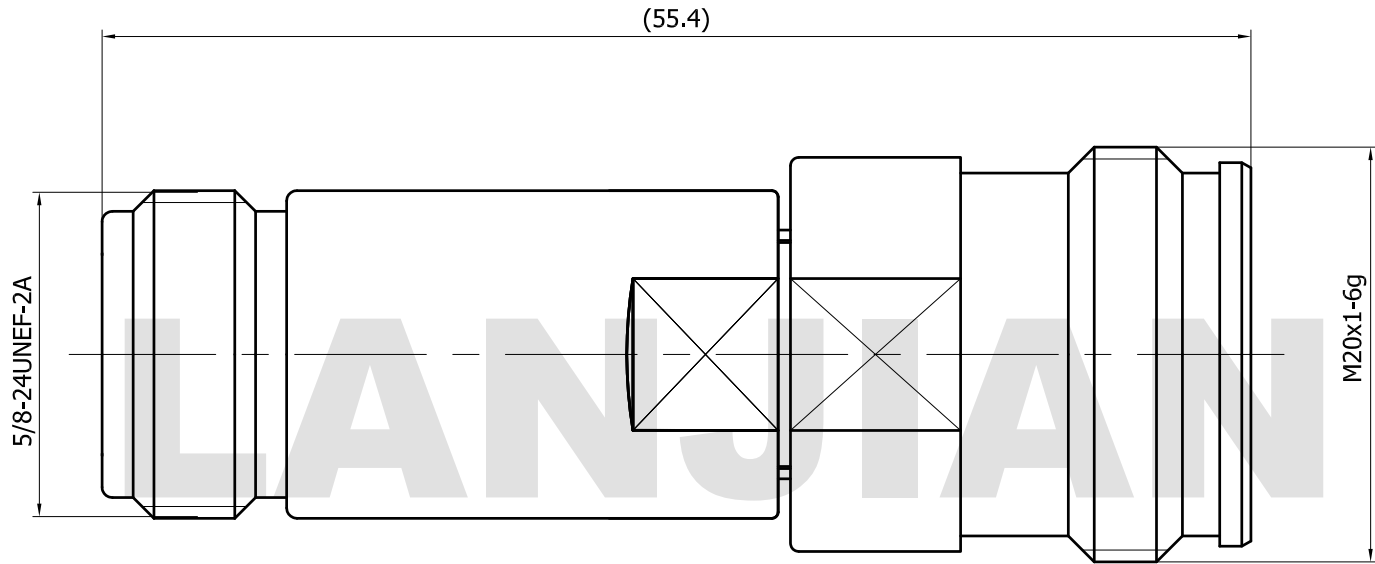


PRODUCT DATA SHEET



MATERIAL:

BODY: STAINLESS STEEL
 CONTACT: BERYLLIUM COPPER
 INSULATOR: PEI

PERFORMANCE:

IMPEDANCE: 50 OHMS
 FREQUENCY: DC TO 9GHz
 VSWR: ≤1.15

| | | | | | |
|--|--|-------|-------------------------|--|------------------------------------|
| THIS DOCUMENT CONTAINS CONFIDENTIAL AND PROPRIETARY INFORMATION THAT CANNOT BE REPRODUCED OR DIVULGED, IN WHOLE OR IN PART, WITHOUT WRITTEN AUTHORIZATION FROM "LANJIAN ELECTRONICS" | MATERIAL : | | | LANJIAN ELECTRONICS 38 Hengtong Road, Xinqu Dingmao Zhenjiang, 212009, Jiangsu, P. R. China | |
| | UNLESS OTHERWISE SPECIFIED: DIMENSIONS IN MM | | | | |
| | TOLERANCES : | | | | |
| | X.X | ±0.20 | ANGULAR : ±1° | | DEBURR AND BREAK SHARP EDGES |
| | X.XX | ±0.10 | FILLETS R/C : ±0.10 | | |
| | X.XXX | ±0.01 | SURFACE FINISH : Ra 1.6 | | |
| | | NAME | DATE | | SIGNATURE |
| | DRAWN | X.C.W | 11/22/2022 | | |
| | CHK'D | H.Z.Y | 11/22/2022 | | |
| | APPV'D | H.Z.Y | 11/22/2022 | | |
| MFG | | | | | |
| PROJECTION | | SIZE | SCALE | | |
| | | A3 | 4:1 | | |
| DO NOT SCALE THE DRAWING | | | | REV. A | |
| | | | | PAGE 1 / 1 | |