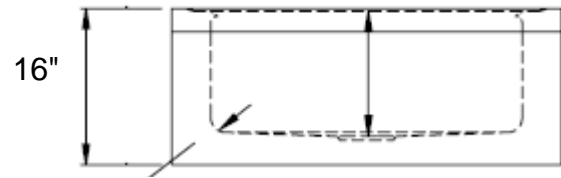
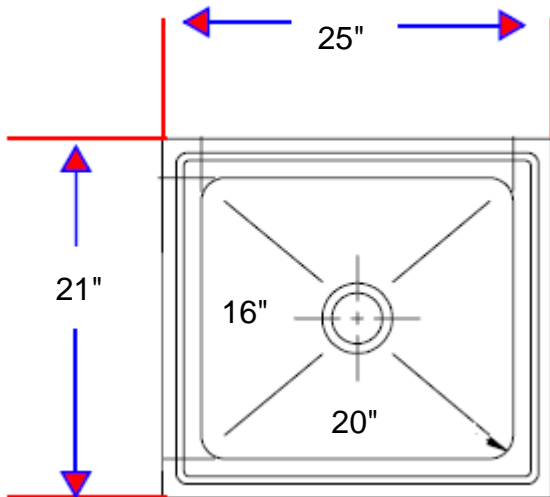


# WICKETTS STAINLESS SPECIFICATION

Commercial Mop Sinks



Model Number			
WMS-2521-16	21	25	16
Custom			

**⚠ WARNING:**  
This product can expose you to chemicals, which are known to the State of California to cause cancer. For more information, visit [www.P65Warnings.ca.gov](http://www.P65Warnings.ca.gov).

### Engineering Specification:

16 gauge, type 304 stainless mop sink. Top 2-1/2" wide top channel rims. Exposed surfaces polished to a #4 satin finish. With grid drain 2" or 3" NH outlet.

**Wicketts Stainless, LLC.**  
2618 San Miguel Dr. Bldg. # 376  
Newport Beach, CA 92660  
Tel: 951-858-2548  
Fax: 951-638-9059  
sales@wickettsstainless.com  
www.wickettsstainless.com



Approved for Manufacturing

Company: \_\_\_\_\_  
Signature: \_\_\_\_\_  
Print: \_\_\_\_\_ Date: / /