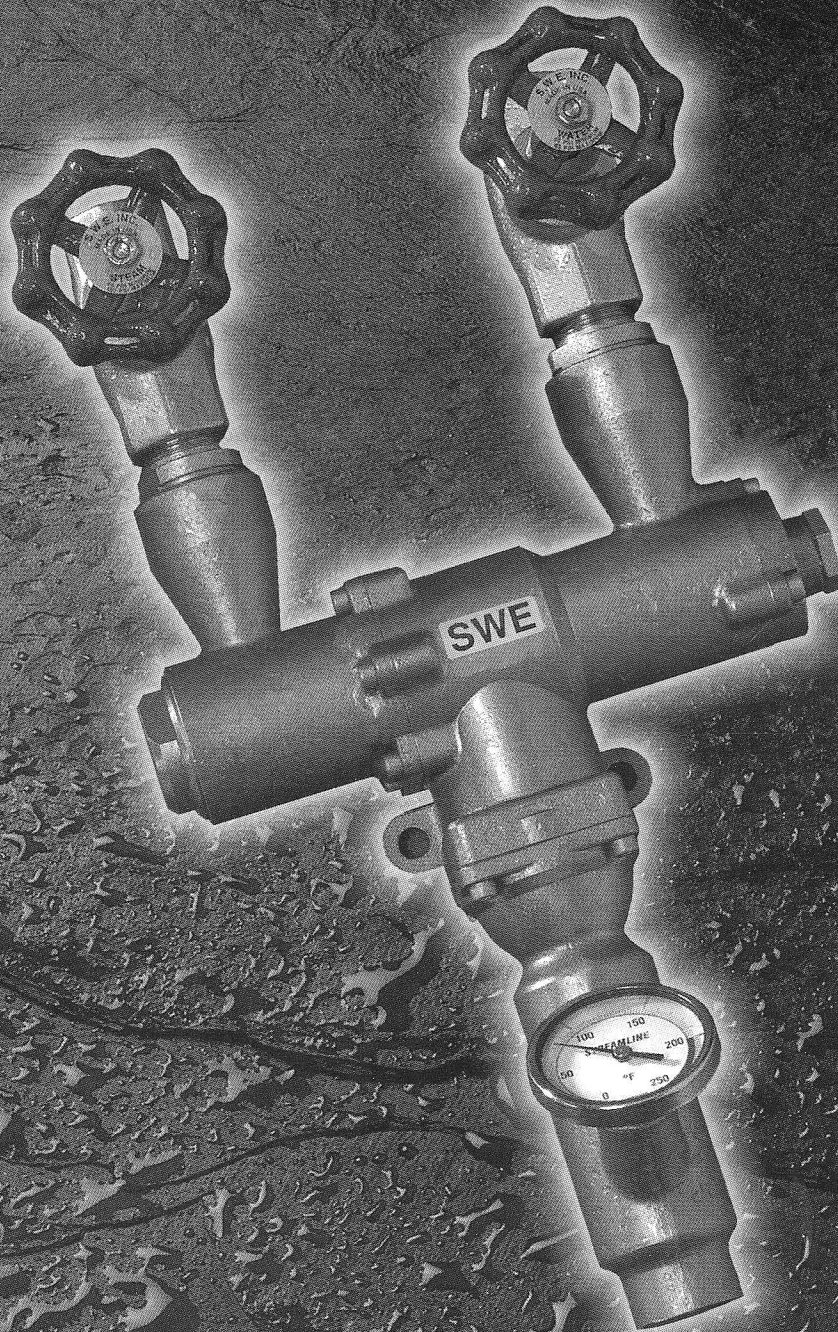


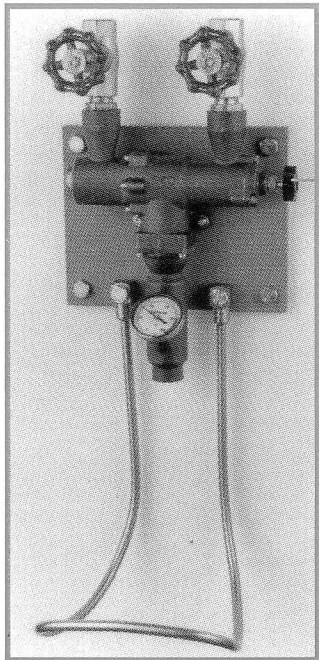
STAINLESS STEEL
STEAMMASTER
4000™



STREAMLINE WASHDOWN
EQUIPMENT, INC.™

STEAMMASTER 4000™

STAINLESS STEEL STEAM / WATER MIXER



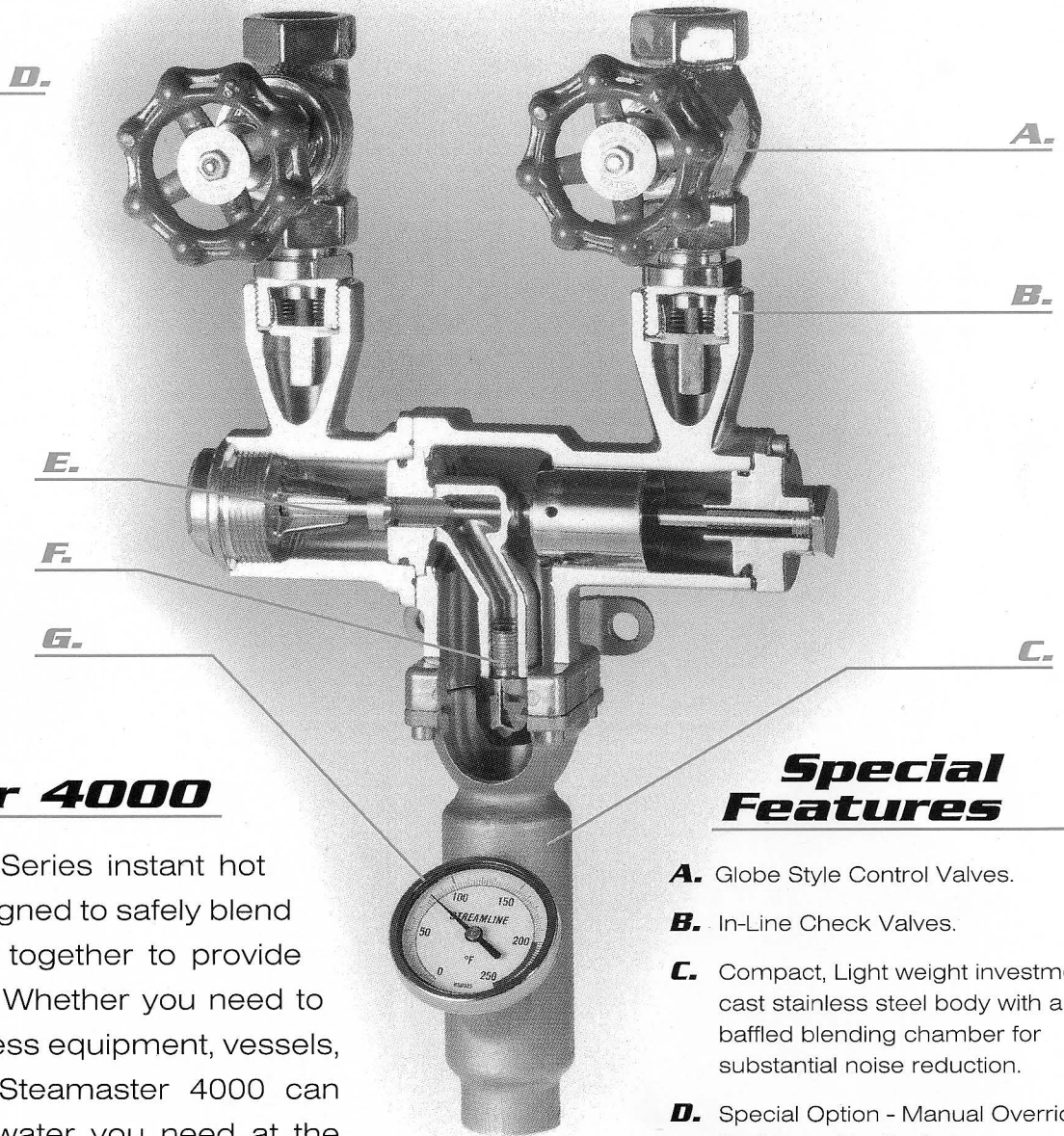
Mounting Plate, Mounting Hardware and Hose Rack are Standard Equipment.

The Steammaster 4000

The Steammaster 4000 Series instant hot water mixers were designed to safely blend steam and cold water together to provide hot water on demand. Whether you need to washdown floors, process equipment, vessels, vats or vehicles, the Steammaster 4000 can safely supply the hot water you need at the temperature you select. Should the cold water fail, the Steammaster will immediately shut off the steam supply. All units are furnished with control valves, a dial thermometer, in-line check valves, a hose rack, mounting plate and mounting hardware.

STEAM

WATER

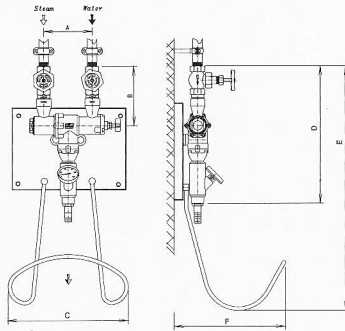


Special Features

- A.** Globe Style Control Valves.
- B.** In-Line Check Valves.
- C.** Compact, Light weight investment cast stainless steel body with a baffled blending chamber for substantial noise reduction.
- D.** Special Option - Manual Override for Steam Sterilization.
- E.** Fail-Safe Mechanism shuts off steam on cold water failure.
- F.** Steam Injector for efficient blending.
- G.** Heavy Duty, all Stainless Steel temperature gauge.

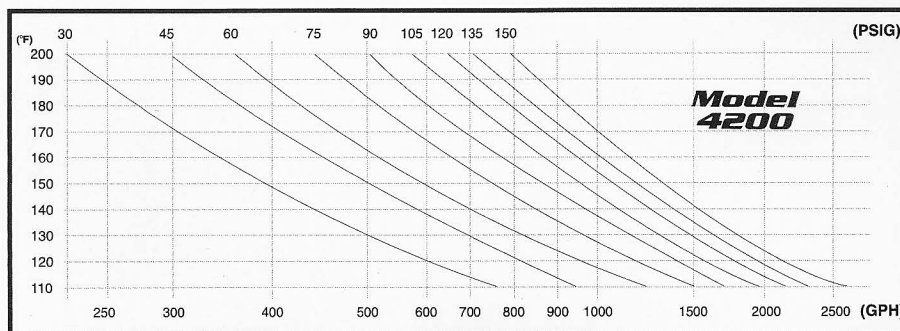
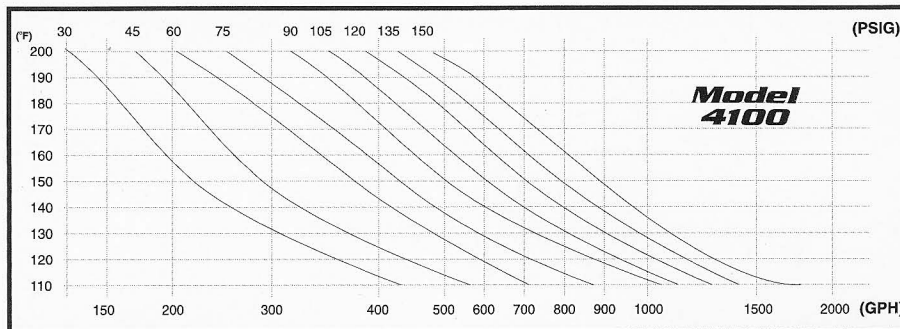
PERFORMANCE PARAMETERS

1. Recommended inlet water temperature: 60°F
2. Maximum Operating Temperature: 200°F
3. Maximum Operating Pressure: 150 PSI

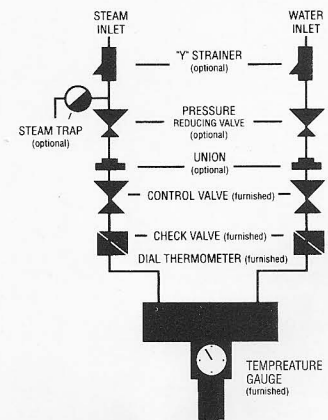


MODEL	A	B	C	D	E	F	WEIGHT
4100	5.50"	7.00"	9.00"	15.50"	26.00"	10.00"	20 lbs
4200	7.75"	8.50"	13.50"	21.25"	28.00"	12.50"	35 lbs

Performance Curves



Installation Recommendations



1. If overheating occurs due to system malfunctions, (i.e. restrictions in pipelines, etc...) immediately turn down steam valve. If overheating occurs due to uncontrollable pressure fluctuations, a pressure regulator will be required.
2. Limitations in use: Not for use with superheated steam.

Pressure Requirements & Testing

The Steammaster 4000 series operates on half the steam pressure required for competitive units and every unit is performance tested prior to shipment.

	STEAM		WATER PRESSURE	
	MINIMUM	MAXIMUM	MINIMUM	MAXIMUM
Model 4100	40 PSI	150 PSI	50 PSI	80 PSI
Model 4200	40 PSI	125 PSI	50 PSI	80 PSI

Technical Services

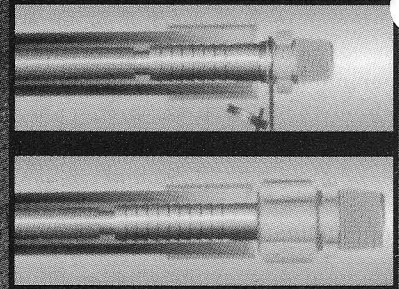
Full technical advice and information is available by calling our toll-free number:

1-800-926-3648

FLEX-MASTER 250

Streamline's **Flex-Master 250** was engineered to be a safe, stable and economical washdown hose. The lightest, easiest handling hose in its pressure class.

- Backed by safety margins that exceed the industry's standard 4:1 ratio.
 - Rated at 250psi - 200 °F
 - New high-tech horizontal braiding and high-strength textile filaments applied at precise angles eliminated the weight, yet increases strength.
 - Abrasion-resistant Neoprene Cover with the sure-grip impression wrapped finish protects the hose from the hazards of chemicals, fats, and moisture.
- Flex-Master 250** gives you better flexibility, easier handling, and a new standard for strength in lightweight construction.



All Flex-Master 250 hose assemblies are furnished with stainless steel internal spring guards, and roughneck ferrules at both ends. Standard hose end fittings are 1/2" male NPT swivel at one end, and a 3 piece 3/4" male NPT source fitting at the other end. Hoses available in black, red and white.

S-151-SS Stainless Steel SPRAY NOZZLE

Stainless Steel Construction: The S-151-SS nozzle is constructed entirely of 300 series stainless steel.

Conserves Water: Upon release of the lever, operator is assured of drip-tight shut-off. Our heavy duty hose adaptors also prevent any leakage at nozzle inlet.

Industrial Strength Design: All models are designed to withstand the abuse and punishment common to the industrial environment.

Models Available:

Model S-151-SS 300 Series Stainless Steel
Model S-151-SS-D.I. 316L Stainless Steel for D.I. water service.



ORDERING INFO

4100-SB	Stainless Steel Body, Bronze Valves, 3/4" NPT (Standard Unit)
4100-SS	Stainless Steel Body, Stainless Valves, 3/4" NPT (Standard Unit)
4100-SB-P	Polished Stainless Steel Body, Stainless Valves, 3/4" NPT (Standard Unit)
4100-SB-MO	Stainless Steel Body, Bronze Valves, 3/4" NPT, Manual Override (Standard Unit)
4200-SB	Stainless Steel Body, Bronze Valves, 1 1/4" NPT (High Capacity)
4200-SS	Stainless Steel Body, Stainless Valves, 1 1/4" NPT (High Capacity)
4200-SS-P	Polished Stainless Steel Body, Stainless Valves, 1 1/4" NPT (High Capacity)
4200-SB-MO	Stainless Steel Body, Bronze Valves, 1 1/4" NPT, Manual Override (High Capacity)

STREAMLINE WASHDOWN EQUIPMENT, INC.

1351 Distribution Way, Suite 5 • Vista, CA 92081-8832
(760) 598-2207 • (800) 926-3648
FAX (760) 598-2243

1.800.926.3648

• 92008

Fax 760.431.7081