



JENNINGS
COMPOUND BOWING

1982



**IN EVERY FIELD,
THERE'S ONLY ONE LEADER**

Jennings Compound Bow Presents...

THE LEADERSHIP LINE FOR 1982

This year, as in years past, Jennings carries on its heritage of Leadership with a line of eight new compound bows for 1982.

Three are innovative, completely new designs—one of which incorporates an exciting genuine wood handle.

Five of the eight models have been improved with new functional features that enhance their accuracy, speed, overall feel and balance and attractiveness to the serious archer.

We believe the full eight-model Leadership Line of Jennings Compound Bows for 1982 represents the ultimate expression of the bowyer's art.

There Is Only ONE Leader In Every Field. In Compound Bows It's JENNINGS: Benchmark of Craftsmanship in Bows Since 1949

The proud Jennings heritage began in 1935 when Tom Jennings handcrafted his first bow from a 75-cent lemonwood stave. That bow was fashioned with a dedication to quality, superior design and workmanship, and highest performance that continues to this day and keeps the name Jennings the Benchmark of Craftsmanship the world over.

Long before Tom Jennings marketed the world's first compound bow, he earned his reputation as master bowyer by designing superb selfwood bows and recurve laminate bows. Shortly after the Second World War, he and a partner opened a pro shop where they designed, built and sold fine recurve bows.

With state-of-the-art materials and technology developed during the war, Tom began producing sophisticated, laminated recurve bows, sold under the trade-mark "Citation." The name became synonymous with excellence in recurve bows.

Because of his archery expertise, Tom was invited by *The Archer's Magazine* to become its technical editor. During his ten years at this post, Tom was exposed to ideas from archery experts from all over the globe. One day, a correspondent told him about an unusual looking



Master Bowyer Tom Jennings

contrivance that perhaps could be developed into a new type bow.

After examining this odd instrument—Tom thought it looked more like a "musical instrument" than a bow—he rolled up his sleeves and after many improvements, finally had the "harp" in shape to shoot. And shoot it most certainly did! This new "compound" bow demonstrated that it could outshoot anything on the market.

Others at the time said it wouldn't work; that it was ugly; that no one would buy it. But Jennings believed in it and, in 1966, founded a new company, Jennings Compound Bow, and began producing and marketing this revolutionary bow.

What made the compound so unique was at full draw, the archer only had to hold 70 percent of the bow's peak weight, as compared to the recurve bow's 100 percent. The reason for this was the compound's eccentric wheel which causes the holding force to "let-off." Nowadays the design of most compounds is refined to allow about 50 percent let-off.

Pioneering archers tried the new compounds, liked them, and told others. Soon, the orders began to snowball.

Plant capacity and staff more than doubled every year for eight years.

Of course, with success came imitators and increased competition. And if imitation is the sincerest form of flattery, Tom Jennings is the most flattered bowyer of the 20th Century. Today, virtually every bow manufacturer makes compound bows as their major line.

But there can be only ONE original—ONE Leader. Jennings was first to believe in the potential of the compound bow and to stand firm against those determined to remain captives of the past. It is because of his unwavering dedication to the principle of the compound bow and to legalize its use, that we have such a flourishing sport—and an expanding industry—in the 1980's.

There Is Only ONE Leader. Why Settle for Less?

Each year, Jennings Compound Bow delivers the finest product line of any manufacturer, and at comparatively moderate prices. Other brands offer satisfactory performance at lower prices. But archery experts, tournament professionals and dedicated hunters have always recognized Jennings as the brand with the best workmanship, design and performance.

Jennings' heritage of craftsmanship dictates that any bow in the line receive the same attention to detail in quality of design, performance and workmanship as the most expensive bow in that line.

This, too, is one of the obligations of Leadership. It is why—whether you're a beginner, developing into an expert, or are a potential tournament "pro"—Jennings' superior design, workmanship and performance are available to you in a broad range of prices.



Introducing A Completely New Addition to the JENNINGS Leadership Line...

JENNINGS MAG-T

The HASSELBLAD Camera was selected by NASA for all manned space flights because of its top performance and unfailing reliability.

The completely new, lightweight MAG-T has these same enviable product qualities. A bow's performance is a delicate blend of consistent accuracy, speed, smoothness and overall "feel!" These characteristics are built into the MAG-T in good measure.

The new Dura-Lite™ 6-position eccentric wheels with Turcite bearings provide great speed with accuracy plus the choice of six different draw lengths and draw weights on each bow. Constructed of unbreakable metal and weight-relieved for lightness, these eccentrics with their Turcite bearings are the latest design in eccentric wheels. Other bows are made with needle or oilite bearings which are less durable and are slower because of more friction than Turcite bearings.

The new limb design has a butt wedge to provide limb rigidity, while the field-tested tip hangers offer outstanding durability and are maintenance-free. These features work together to make a stable, dependable, fast-shooting limb.

Whether you're hunting in the field or shooting on the tournament range, total reliability is a must. You need lightweight equipment that stands up under rugged use and helps you excel at shooting. To provide you with this total reliability, every part of the new MAG-T—from the time-tested, high strength, lightweight magnesium alloy handle to the all new, fast-shooting, single wedge limbs with limb tip hangers—is designed to stand up under the most rigorous use.

Features and Benefits:

• **Dura-Lite™ Eccentric Wheels**—Durable, weight-relieved metal eccentrics provide maximum reliability with minimum weight. Remember that the lighter the eccentric wheels, the faster your bow, and the more accurately you will shoot.

The Tri-Draw concept—introduced by Jennings—now allows you practically unlimited adjustability, with six different draw lengths and weights for each bow. The adjustable locator ball helps you fine-tune your bow even further for extra speed and/or draw length. See Page 21 for detailed explanation.

• **Single-wedge Limbs with Tip Hangers**—The butt wedge keeps the butt of the limb stiff, resulting in a fast-shooting bow, great accuracy for you. Tip hangers provide the most durable, reliable harness-mounting system available today. Note: Many features discussed briefly above are available in other compound bows in the Jennings Leadership Line. For more complete details on the MAG-T and every Jennings Bow, please turn to the Features Chart on page 24.

Draw Lengths and Weights:

Draw Length:

No. 1 Eccentric for 28"-31" true draw.

No. 2 Eccentric for 26"-29" true draw.

No. 3 Eccentric for 23"-26" true draw.

Draw Weights:

20-30 lbs. (in 23"-

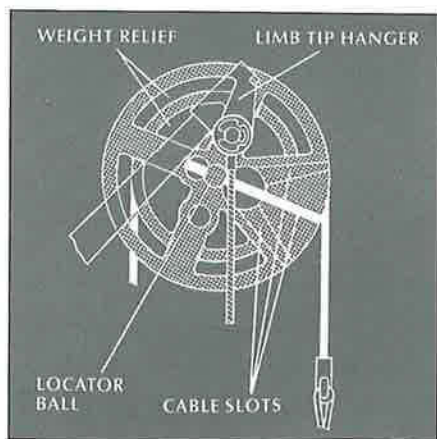
26" true draw only) 45-55 lbs.

25-35 lbs. 55-65 lbs. (in 26"-

30-40 lbs. 31" true draw only)

35-45 lbs. 60-70 lbs. (in 26"-

40-50 lbs. 31" true draw only)



New Dura-Lite™ 6-position wheel.



New Lighter Bow is "Heavy" in Good Looks **JENNINGS MAG-LITE**



The STETSON Hat is famous for its distinctive design, classic good looks and durability.

The MAG-LITE, all-new for '82, also presents the down-to-earth, distinctive design, good looks and long-wearing characteristics archers expect from Jennings.

Its clean, functional lines makes this one of the most attractive models in the line. It features the newly-developed double wedge limb for increased strength and speed over comparable competitive designs. The end wedge reduces wheel tipping which increases accuracy and limb life, while the combination of end wedge and butt wedge concentrates energy in the middle of the limb for greater arrow speed.

Very strong, wide-track adjustable Tri-Draw wheels minimize weight and provide enough arrow clearance to eliminate the need for a cable guard, which further lightens the bow. The nylon wheels with self bearings are time-tested and deliver flawless performance, total reliability. Each bow has three different draw length and draw weight adjustments.

Its super lightweight handle is virtually indestructible and will withstand the wear and tear of any kind of shooting conditions. The new-for-'82 double wedge limb has proved to be very fast and more durable than competitors' similar designs.

The MAG-LITE combines the light handle, limbs and wheels to make it practically the lightest bow you can buy. Yet, as always, the world-renowned Jennings craftsmanship and consistent accuracy are designed right in.

Features and Benefits:

- Limb Tip Wedge—Minimizes wheel tipping to improve accuracy, prolong limb and axle life.
- Butt Wedge—In conjunction with the limb tip wedge, concentrates energy into

the middle limb, resulting in increased arrow speed, improved accuracy.

- Adjustable Nylon Tri-Draw—Lightweight but virtually unbreakable eccentric wheels provide three different draw weights and draw length settings for unmatched versatility.

Note: Many features discussed briefly above are available in other compound bows in the Jennings Leadership Line. For more complete details on the MAG-LITE and every Jennings Bow, please turn to the Feature Chart, page 24.

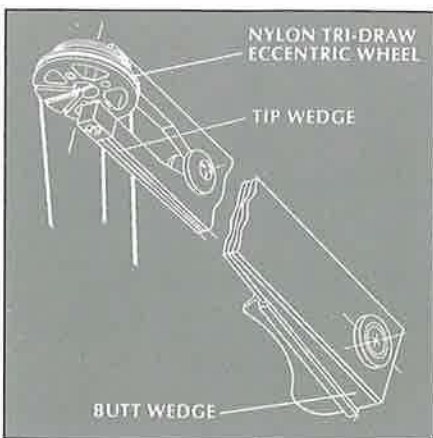
Draw Lengths and Weights:

Draw Length:

- No. 1 Eccentric for 27"-30" true draw.
- No. 2 Eccentric for 25"-28" true draw.
- No. 3 Eccentric for 23"-26" true draw.

Draw Weight:

- | | |
|--|--|
| 20-30 lbs. (in 23"-26" true draw only) | 45-55 lbs. |
| 25-35 lbs. | 55-65 lbs. (in 25"-30" true draw only) |
| 30-40 lbs. | 60-70 lbs. (in 25"-30" true draw only) |
| 35-45 lbs. | |
| 40-50 lbs. | |



The Traditional Richness, Beauty and Feel of Wood

JENNINGS WOODY



The TONY LAMA Western Boot is known for pace-setting design, dashing good looks, and custom feel.

The new Jennings WOODY is carved from the same distinctive mold. Its extra-strong laminated handle adds great beauty, a warm grip, excellent feel and balance. The handle's super-strength is made possible by 30 laminations. The custom-contoured grip provides day-long shooting comfort and provides warmth for your bow-hand in practically any weather.

The overall feel and balance of the bow is truly exceptional. A tribute to Jennings craftsmanship (and your good taste!), your WOODY will be a pleasure to own, a joy to shoot.

What's more, it features the new-for-'82 wide Magna-Ply® limbs, available ONLY on Jennings bows. These Magna-Ply® limbs add extra speed to every shot because they have the Jennings-designed double taper feature and a fade-out butt that helps store more energy more efficiently than normal limbs. Magna-Ply® limbs are super-tough, won't break while drawing or shooting, and are impervious to water. They make your handsome wood bow a fast-shooting hunting or target bow that never gives up.

The field-proven exclusive Jennings limb tip hangers give your limb tips added protection, and feature the new fast Dura-Lite™ 6-position eccentric wheels. No other wood bow gives you more dashing good looks, sizzling performance or the ability to take punishment than the Jennings WOODY.

Features and Benefits:

- **Handle**—Thirty laminations assure extra strength and reduce the handle's tendency to torque. This assures more consistent accuracy. Multiple coats of finish add sparkle and dash to its traditional good looks.
- **Wide Magna-Ply® Limbs**—Always on the leading edge of technology, Jennings is the first to use these extra-wide limbs.

The limbs have a Jennings-designed double taper with fade-out limb butt. The top and bottom limb surfaces taper towards the limb tip as do the sides. This stores energy and distributes stress more efficiently than non-tapered or single-tapered designs. The fade-out limb butt gives the best energy transfer possible from the rigid butt to the flexible middle limb section. Wide Magna-Ply® limbs give you speed, accuracy and durability matched by no other wood handle compound.

Note: Many features discussed briefly above are available in other compound bows in the Jennings Leadership Line. For more complete details on the WOODY and every Jennings Bow, please turn to the Feature Chart, page 24.

Draw Lengths and Weights:

Draw Lengths:

No. 1 Eccentric for 28"-31" true draw.

No. 2 Eccentric for 26"-29" true draw.

No. 3 Eccentric for 23"-26" true draw.

Draw Weights:

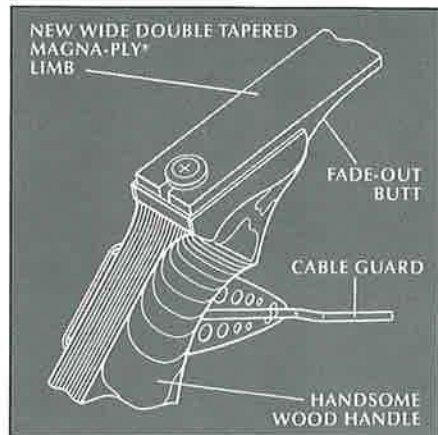
30-40 lbs.

60-70 lbs. (in 26"-

40-50 lbs.

31" true draw only)

50-60 lbs.



If You Can Find A More Dependable Bow— BUY IT! JENNINGS LIGHTNING

The SMITH & WESSON Revolver is famous for rugged dependability and exceptional value.

And the Jennings LIGHTNING has built a reputation on the same virtues! It's a performing testimonial to the fact that a compound doesn't have to cost a mint to be fast, accurate and a pleasure to shoot. The same Jennings design and workmanship used on other bows in the line goes into the Lightning. It is rugged and dependable to such a high degree that a beginner can use it easily and confidently, and an experienced archer will find this model to be the ideal "second" bow. Take it to the field as a second or back-up bow. It may be the least expensive Jennings, but you'll find it still outperforms competitors' bows of similar design.

LIGHTNING'S winning shooting ways can be attributed to fast Jennings Magna-Ply® limbs and very light nylon Tri-Draw wheels with self bearings. The LIGHTNING'S Magna-Ply® limbs enable you to shoot with speed found only on more expensive bows. This speed—and the attendant accuracy—makes it an outstanding value.

Durability is part of the LIGHTNING package. A good example of this is the bracket on the limb tip which assures maximum limb and wheel protection.

The Tri-Draw eccentric wheels are made of extremely tough, lightweight nylon. The Tri-Draw feature provides you with maximum flexibility through selection of three different draw lengths and draw weights in the same bow.

The LIGHTNING is the ideal inexpensive bow for a beginner who will need heavier draw weights as he grows in strength and progresses in the sport.

Add these features to the feather-light magnesium alloy handle, and you have the ideal bow for a youngster, a beginner-adult, or the "weekend" archer who wants outstanding performance at a reasonable price.

Features and Benefits:

- **Hanger Bracket**—For the most practical and economical way to mount an eccentric wheel that protects both limb and wheel effectively. A most durable bow.
- **Magna-Ply® Limbs**—For maximum speed, durability, economy.
- **Adjustable Tri-Draw Eccentric Wheels**—Light, strong and durable. Provide superior performance and exceptional versatility at a sensible price.

Note: Many features discussed briefly above are available in other compound bows in the Jennings Leadership Line. For more complete details on the LIGHTNING and every Jennings Bow, please turn to the Feature Chart, page 24.

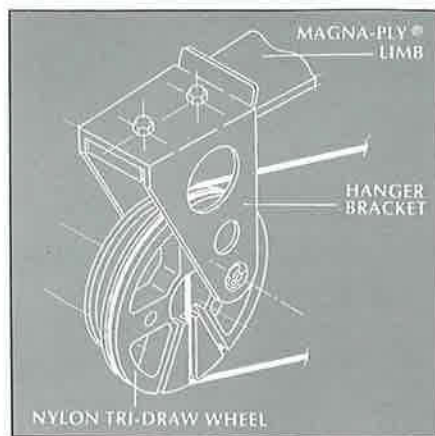
Draw Lengths and Weights:

Draw Lengths:

- No. 1 Eccentric for 27"-30" true draw.
- No. 2 Eccentric for 25"-28" true draw.
- No. 3 Eccentric for 23"-26" true draw.

Draw Weights:

- | | |
|--|--|
| 20-30 lbs. (in 23"-26" true draw only) | 50-60 lbs. |
| 30-40 lbs. | 60-70 lbs. (in 27"-30" true draw only) |
| 40-50 lbs. | 30" true draw only |



Best Value Per Dollar Due to Sizzling Performance, Rugged Durability.

JENNINGS FORKED LIGHTNING

The JEEP® RENEGADE* is world-renowned for rugged durability, high performance, great dollar-for-dollar value.

The FORKED LIGHTNING offers all these features...and more. No other bow available today even comes close to offering the advantages and designed-in, wallet-pleasing, value-per-dollar of this crowd-pleaser! In fact, its new design permits incorporating certain advanced features still not available on our competitors' most expensive bows.

And certainly no bow at the price has such light-weight metal wheels that shoot with such speed. These weight-relieved Dura-Lite™ 6-position eccentrics with their Turcite bearings are the latest design in eccentric wheels.

The protective metal hangers are a unique innovation designed to make the limb tip stronger and to provide protection from accidental dropping.

The yoke harness balances the load on the limb, eliminating limb twist and wheel tipping. This gives the bow more consistent accuracy and longer limb and axle life. Most expensive bows don't provide a yoke. Another reason why the Forked Lightning is the best value, dollar for dollar, in the market.

The Jennings-exclusive Magna-Ply® limbs store tremendous amounts of energy and provide greater speed with consistent accuracy. Limbs are impervious to water, enabling the bow to be shot with complete dependability, even immediately after immersion in water. This bow is practically indestructible!

Features and Benefits:

- **Limb Tip Hangers**—Provide extra strength and protection to limb tips; add more years of shooting life to your bow.
- **Yoke**—Balances the load on the limb, increasing accuracy and limb life.
- **Dura-Lite™ Eccentrics**—Durable, lightweight, adjustable metal wheels which provide six selections of draw length and weight for optimum flexibility.

Note: Many features discussed briefly above are available in other compound bows in the Jennings Leadership Line. For more complete details on the FORKED LIGHTNING and every Jennings Bow, please turn to the Feature Chart, page 24.

Draw Lengths and Weights:

Draw Lengths:

No. 1 Eccentric for 28"-31" true draw.

No. 2 Eccentric for 26"-29" true draw.

No. 3 Eccentric for 23"-26" true draw.

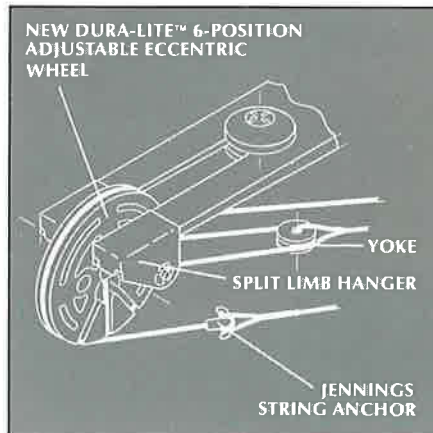
Draw Weights:

20-30 lbs. (in 23"- 50-60 lbs.

26" true draw only) 60-70 lbs. (in 26"-

30-40 lbs.

40-50 lbs. 31" true draw only)



*Jeep is a registered trademark of the Jeep Corporation.



More Accuracy, Added Versatility in the Tournament Shooters' Favorite!

JENNINGS T-STAR II

ZEISS Binoculars are famed the world over for outstanding optics, peerless design, unmatched dependability.

In only three years, the Jennings SPLIT-T and T-STAR bows have attained widespread acceptance and similar recognition. In the 1981 National Field Archery Association (NFAA) Championship matches, five out of the top six finalists used a Jennings SPLIT-T or T-STAR. One even set a new record for the highest score ever shot on an individual round—559—one point short of perfect.

In the new T-STAR II, Jennings' new Dura-Lite™ wheel combines the speed and convenience of the SPLIT-T's plastic adjustable Tri-Draw wheel with the original T-STAR's durable metal wheel to offer a bow with the best features and benefits of its two predecessors in one handy and beautiful package.

Combining the best features and qualities of each bow has resulted in a superior version of a bow that was already a champion.

The T-STAR II's weight-relieved aluminum handle has several advantages. It provides a sight window large enough for unobstructed aiming for extremes of close and long-range shooting and has a very slender grip for maximum accuracy. This is accomplished without sacrificing any degree of strength, and makes it second only to the Jennings Custom Handle as the strongest, most durable handle available today.

It is light enough to carry and shoot all day, but still is heavy enough to absorb vibration for more accuracy and smoother shooting.

The T-STAR II shoots so fast the arrow reaches the target with the least possible wind interference and drop in trajectory, and is so accurate the arrow can hit the X-ring every time. Yet it's rugged enough to withstand the heaviest wear and tear.

That's the improved Jennings T-STAR II, sure to be the choice of champions.

Features and Benefits:

- **Narrow Grip**—Affords minimal hand

contact to reduce the ever-present tendency for the hand to twist the handle slightly, left or right, on every shot. Expert target shooters and others seeking maximum accuracy in shooting prefer the smallest grip possible.

- **Weight-Relieved Aluminum Handle**—Improves accuracy and smoothness by absorbing excess energy upon arrow release. And since aluminum is stronger than magnesium, the T-STAR II is a very strong bow, indeed.

Note: Many features discussed briefly above are available in other compound bows in the Jennings Leadership Line. For more complete details on the T-STAR II and every Jennings Bow, please turn to the Feature Chart, page 24.

Draw Lengths and Weights:

Draw Lengths:

No. 1 Eccentric for 28"-31" true draw.

No. 2 Eccentric for 26"-29" true draw.

No. 3 Eccentric for 23"-26" true draw.

Draw Weights:

20-30 lbs. (in 23"-

26" true draw only) 45-55 lbs.

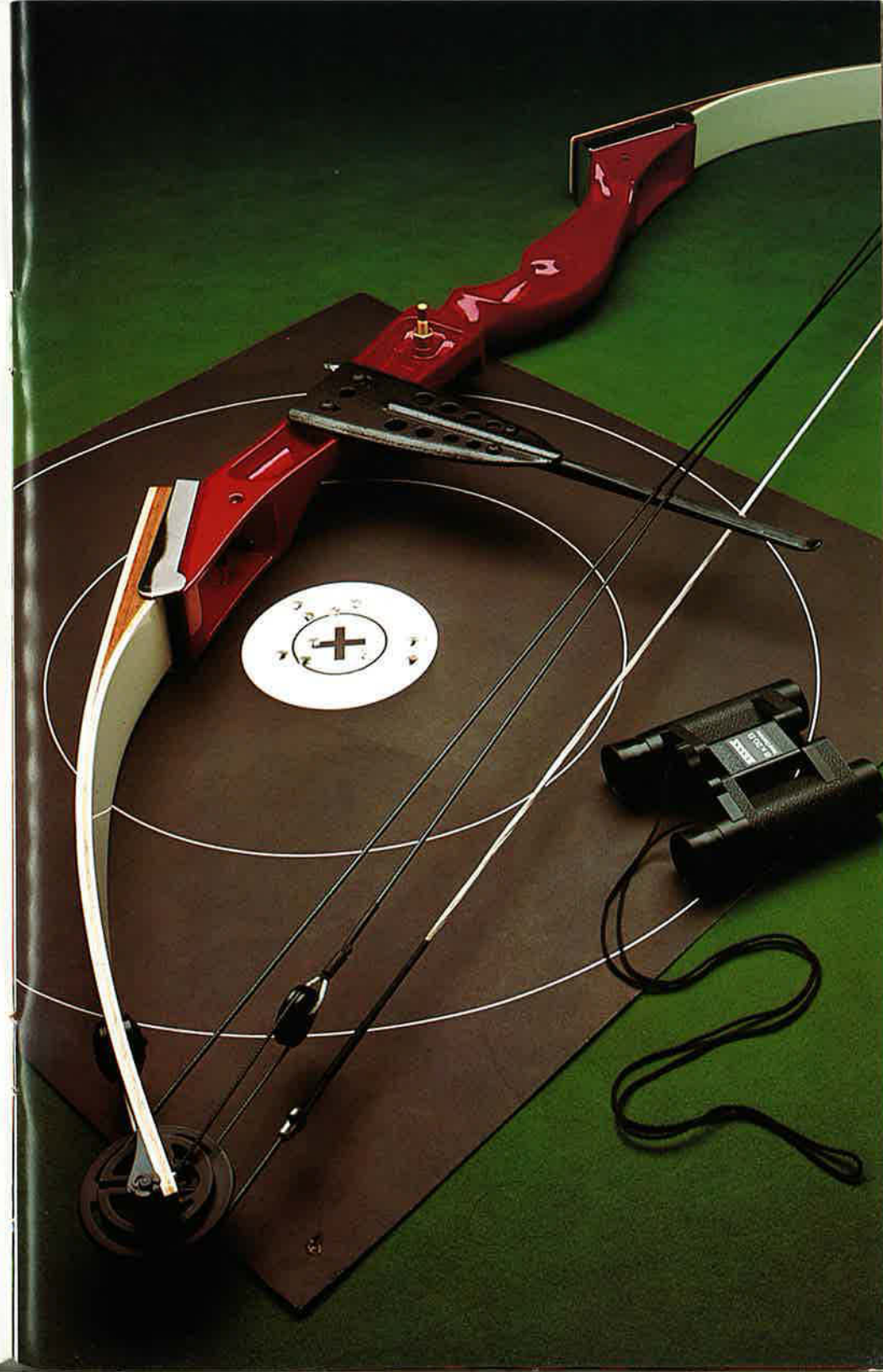
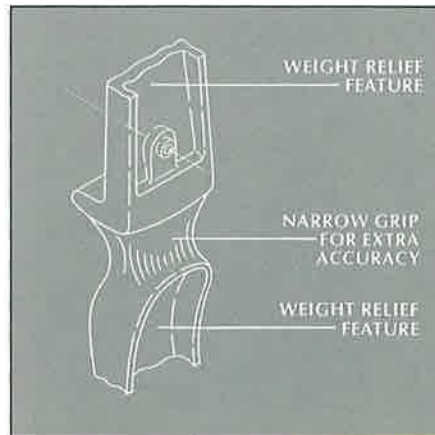
25-35 lbs. (in 23"-

26" true draw only) 55-60 lbs. (in 26"-

30-40 lbs. 31" true draw only)

35-45 lbs. 60-70 lbs. (in 26"-

40-50 lbs. 31" true draw only)



Only Jennings Offers A Heavier Vibration-Absorbing Custom Aluminum Handle. JENNINGS SHOOTING STAR

The WEATHERBY Rifle is a leader in its field. Roy Weatherby revolutionized the firearm industry by promoting the magnum load/light bullet.

Jennings' SHOOTING STAR is the leader in high performance, self-balancing two-wheelers. Today, two-wheelers are the most popular type of compound bow.

And since the SHOOTING STAR is the leader in design and quality in the industry, many manufacturers have tried to duplicate it, but without success.

The SHOOTING STAR incorporates much of the technology that makes the four wheel ARROWSTAR so pre-eminent in archery. It combines the custom aluminum handle and the reliable SHOOTING STAR custom limb with the new super-light, extremely fast, adjustable metal Dura-Lite™ eccentric wheel to make it one of the smoothest shooting and consistently accurate bows available. The new Dura-Lite™ wheels provide the adjustable locator ball, a fine tuning feature never before available.

The custom aluminum handle absorbs excess energy to provide extremely smooth, fast and accurate follow-through. Experts say that after using this bow, no other will ever feel quite as good in your hand.

Features and Benefits:

- **Weight-Reduced Custom Handle**—Made from aluminum for maximum strength. Weight-relieved feature removes excess metal (weight) without affecting strength, durability. This handle is virtually unbreakable, with a slight added weight advantage over a magnesium handle that makes a world of difference in smoothness when you're shooting.
- **Interchangeable Custom Grips**—The custom handle allows you to choose between a black smooth grip, brown wood grain, or an insulating foam grip—all of which are available in the standard low wrist, or the optional high wrist

models. These right or left-handed grips increase your shooting comfort and give you every opportunity to be as accurate, as possible.

Note: Many features discussed briefly above are available in other compound bows in the Jennings Leadership Line. For more complete details on the SHOOTING STAR and every Jennings Bow, please turn to the Feature Chart, page 24.

Draw Lengths and Weights:

Draw Length:

No. 1 Eccentric for 28"-31" true draw.

No. 2 Eccentric for 26"-29" true draw.

No. 3 Eccentric for 23"-26" true draw.

Draw Weight:

30-40 lbs.

55-65 lbs. (in 26"-

35-45 lbs.

31" true draw only)

40-50 lbs.

60-70 lbs. (in 26"-

45-55 lbs.

31" true draw only)

50-60 lbs.



All Other Compound Bows
Must Be Compared To It.

JENNINGS ARROWSTAR

The PORSCHE TARGA is noted for innovative technology and distinctive design.

The same attributes can be credited to the Jennings ARROWSTAR. When introduced in 1976, it created design and performance news, and instantly set a new standard for how a bow should be designed and built.

For example, it must be highly efficient, supremely fast and accurate, possess outstanding workmanship and rate at the very top in beauty of design. The ARROWSTAR established these high standards and remains unmatched by any other bow in the market. This, the ultimate compound, is seen everywhere serious archers gather, in demand by those who want—and can afford—the very best.

Its four wheel design stores more energy in the limbs than a two-wheeler, and this makes for blistering arrow speed. Each limb has an extra—or idler—wheel. This feature helps the bow store additional energy in the limb, which, in turn, is transmitted to the arrow when shot. This is why the four-wheeler will almost always outshoot a two-wheeler of similar draw weight. The custom aluminum alloy handle provides greater vibration-absorption for more accurate shooting than lighter bows. The Jennings' four wheel design allows infinitely minute adjustments for precise tuning.

ARROWSTAR's aluminum wheels are individually custom-machined to guarantee perfect balance. Eight different sizes give you true draw lengths from 23 to 31 inches. Thus, even the most discriminating archer can fine tune his draw down to the smallest increments. Self-lubricating Turcite bearings team with the custom wheels to impart incredible speed to arrows, shot after shot.

The ultimate compound: ARROWSTAR. For archers who insist on owning the best.

Features and Benefits:

- **Idler Wheels**—One on each limb aids the bow in storing energy. You benefit by shooting a faster arrow that hits its mark more often. A faster arrow exhibits less drop and is more resistant to buffeting by wind, and is therefore more consistently accurate.

- **Custom Machined Eccentric Wheels**—Designed with controlled balance that permits the most precise tuning. This Jennings eccentric system permits the most demanding archer to maintain precise control over his equipment and to shoot with more consistent accuracy. Note: Many features discussed briefly above are available in other compound bows in the Jennings Leadership Line. For more complete details on the ARROWSTAR and every Jennings Bow, please turn to the Feature Chart, page 24.

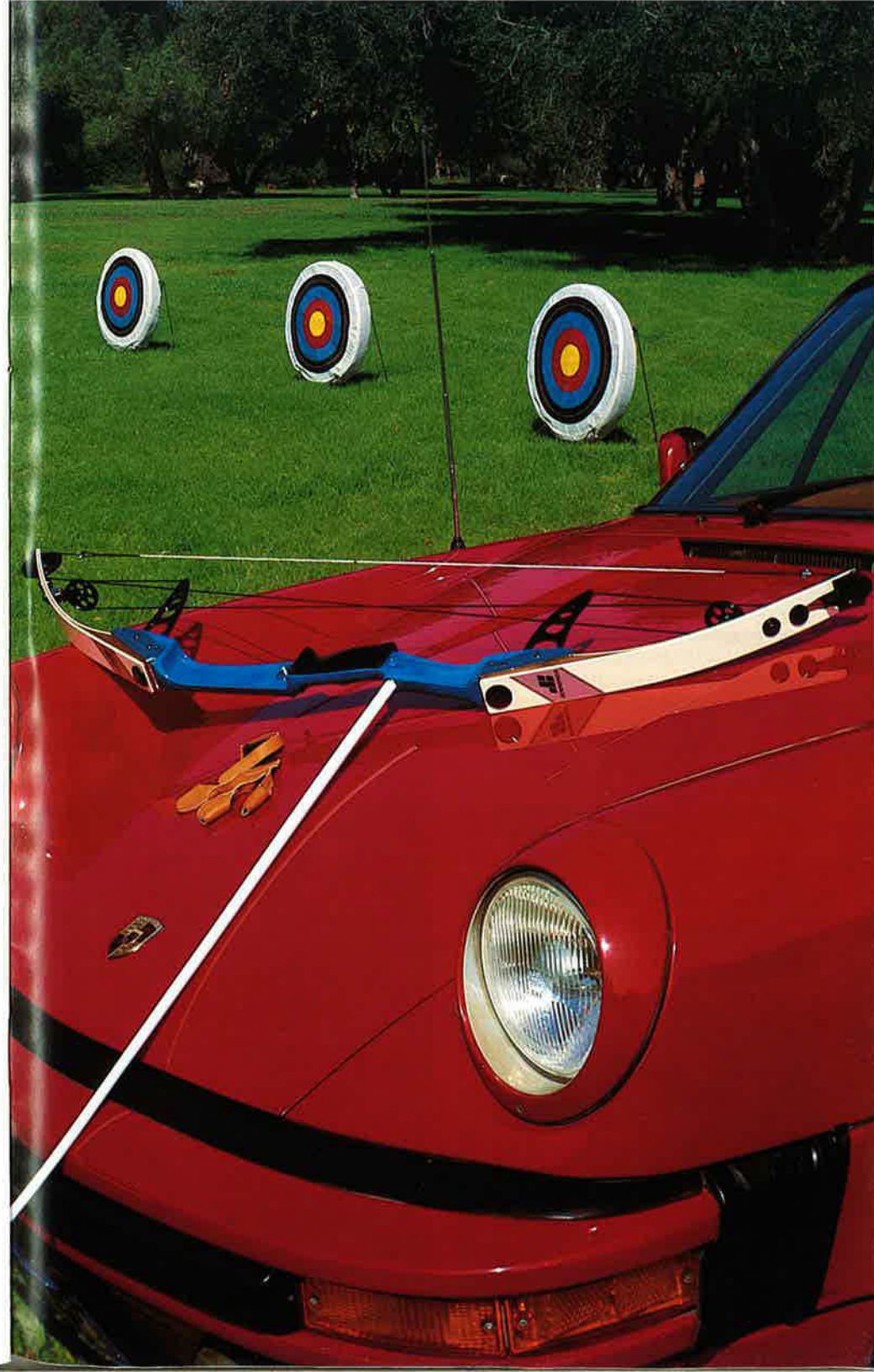
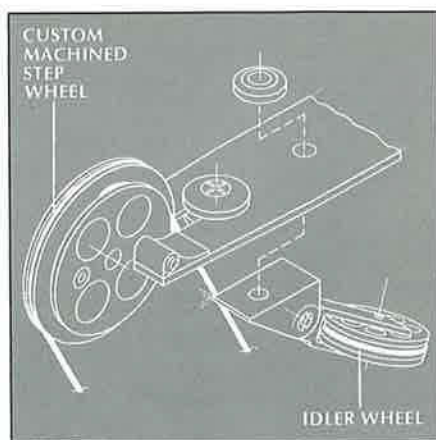
Draw Lengths and Weights:

Draw Lengths:

23" to 31" in ½" increments.

Draw Weights:

30-40 lbs.	50-60 lbs.
35-45 lbs.	55-65 lbs.
40-50 lbs.	60-70 lbs. (in 25½"-
45-55 lbs.	31" true draw only)



HOW TO CHOOSE THE RIGHT COMPOUND BOW FOR YOU

A bow must have good workmanship to ensure years of enjoyable use. Fancy gadgets or styling can't make up for poor workmanship. And remember that, in the long run, one well-crafted bow can outlast several ordinary bows.

Performance

Consistent accuracy is the most important part of performance. To be able to hit the bullseye every time is critical. Without consistent accuracy, all else is wasted.

Speed increases a hunter's chance of hitting his target before it moves, or the wind blows his arrow off course or his arrow drops. In general, the more speed a bow has, the better. But never try for more speed at the expense of consistent accuracy.

Smoothness of draw and release contributes to the bow's performance by enhancing accuracy. When you draw the bowstring back, it should pull smoothly without quick changes in feel, or "notchiness." Otherwise, when you release the arrow, its flight may be disrupted to some degree. The well-designed bow will not vibrate, or kick too noticeably on release. If possible, always shoot a bow before you buy it to ensure acceptable smoothness.

The bow's mass, or total weight is extremely important and a matter of personal choice. The lighter bow—weighing from 3½ to 4¼ pounds—is easier to shoot for long periods of time, or to carry in the field. It is usually consistently accurate and can shoot with great speed and smooth draw. The heavier bow (4¼-5 pounds) takes more stamina to carry and shoot all day, but shoots a little more accurately and absorbs vibration better due to its increased mass. No matter which you prefer, if it is well-designed, it will give you good performance.

Quiet Bows Are Best

Quiet operation is a particularly desirable feature in a bow, especially if

you hunt. No bow is absolutely silent; but many offered for sale today are downright noisy. Jennings bows have quieter operation designed-in.

Warranty and Service

A solid warranty and good dealer service can make your life as a practicing archer much less complicated. Make sure your local dealer can make minor repairs, and that the manufacturer will provide back-up service for major repairs.

Jennings Gives You A "Forgiving" Bow

A word here about "forgiveness": A forgiving bow helps compensate for some of those mistakes everyone makes in lining up, addressing the target, and getting off a decent shot. Jennings engineers every one of its compounds to be as "forgiving" as possible. From the very beginning, Jennings has had a commitment to **MAKE ARCHERY EASY TO LEARN FOR EVERY MEMBER OF THE FAMILY.**



Engineered For Accuracy, Speed, and Balance: JENNINGS FEATURES

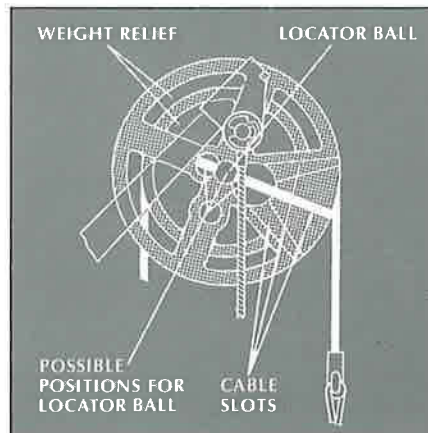
There are many more features to talk about than room in this brochure. However, the ones detailed below are of prime importance to your shooting performance. All of them were first introduced by Jennings, "the first name in compound bows."

New Dura-Lite™ 6-Position Tri-Draw Eccentric Wheels

New Lightweight 6-Position Metal Eccentric Wheels Maximize Adjustability.

When introduced by Jennings in 1978, the Tri-Draw eccentric wheel won immediate acceptance by archers, as well as other manufacturers. For 1982, Jennings has improved the Tri-Draw further by constructing it from weight-relieved metal for light weight and by adding an adjustable fine-tuning locator ball.

Simply described, the new design permits as many as six different draw lengths and draw weights from the same bow. By placing the adjustable locator ball and cable in various combinations of positions, the archer can select the best of six possible draw lengths and weights to suit his individual needs. The instructional literature accompanying each new bow supplies details on how this is achieved.



What's more, the new Dura-Lite™ eccentric wheels are a narrow track, step-type eccentric (see SSSS description, page 23) with very little wheel tip and very short limb travel. This means you get state-of-the-art bow efficiency and, as a result, increased arrow speed and bow durability.

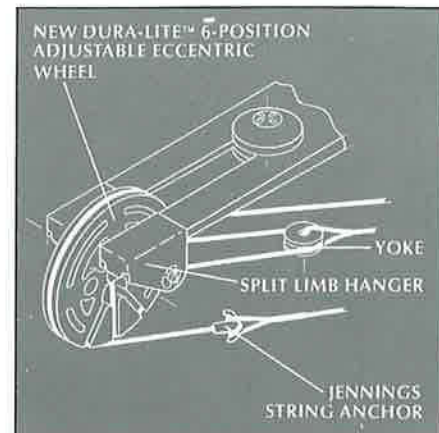
Finally, the new lay-in cable design allows you to replace worn or frayed cables quickly, without removing the eccentric wheel. By simply sliding the locator ball out of its slot, you can easily remove the old cable. Bow care is easier than ever before!

Load Balancing Yoke Harness

Minimizes Tipping of Eccentric Wheels; Assures More Accuracy, Longer Limb Life.

Another Jennings Leadership product development, the Load Balancing Yoke Harness minimizes eccentric wheel tipping during the draw.

Due to leverage at full draw, the load carried by the take-up cable is approximately three times that carried by the bowstring. The Yoke Harness distributes this load equally on either side of the wheel, rather than on a single side, thus eliminating wheel tip. Ordinary compound bows have enough wheel tip to impair performance.



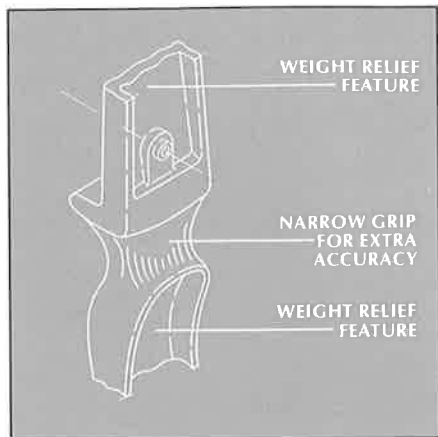
Weight-Relieved Aluminum Alloy Handle Section

Provides Vibration-Free Shooting, Truer Arrow Flight

Because the custom aluminum handle has great strength, it is designed to be relatively long and thin. The extra length makes possible a longer sight window (the height of the recessed area where the arrow rest is) which gives you a complete view of your target for very short shots. The slender design gives you a "thin" grip, which provides more accuracy than would a thicker handle, with its tendency to cause greater twisting, or torque.

The slender handle also gives you a better center shot for improved accuracy. If you draw an imaginary line down the center of the limb, through the handle section, you'll see the middle of the handle. And if the arrow is shot from a position too far left (or right, if you're left-handed), of the bow's center, your accuracy will be decreased. So "good center shot" refers to how close to the center of the bow you manage to release the arrow. And, of course, the aluminum handle has greater mass weight for more stability and absorption of vibration.

The sum total of all three benefits of the weight-relieved aluminum alloy



handle is smoother shooting and increased accuracy, shot after shot.

Jennings String Anchor

Provides Direct In-Line String Pull

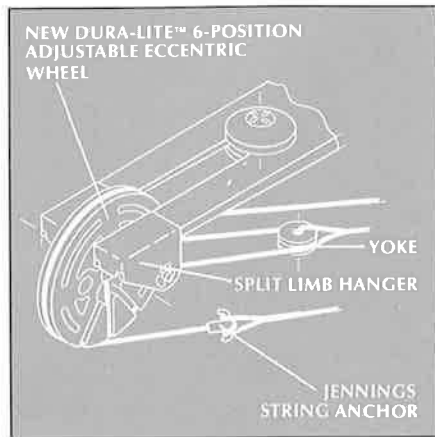
For the most consistent accuracy, the bowstring must pull directly and symmetrically in line with the cable. The standard teardrop or double teardrop string anchor shape causes weight to be lopsided at the string ends, and can negatively affect arrow flight. The exclusive Jennings string anchor permits perfect balance where the string attaches to the cable. Benefit to you: more bullseyes!

Split Limb Hangers

Strongest Type of Limb Mounts Promote Longer Limb Life

This completely new patented method of mounting eccentrics on a split limb bow offers the strength and protection of hanger mounted wheels, with the speed and performance of tip-block mounting.

These sturdy metal hangers protect both limb tips and eccentric wheels from accidental damage from dropping on paved or other hard surfaces. The pendulum effect from hanging the eccentrics also improves the eccentric wheel's roll to increase accuracy.

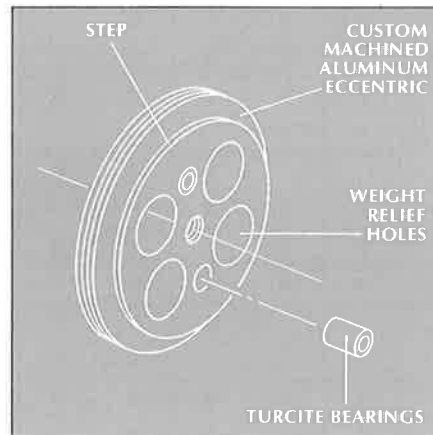


Short Stroke Step System (SSSS)

Increases Efficiency, Reduces Kick; Shoots Faster, More Accurately

This eccentric design was pioneered by Jennings in the Model T series (1974) and improvements continue to be made. The latest generation is the new Dura-Lite™ eccentric wheel with six draw lengths and weights. In comparison to other systems, the SSSS moves the limb tip less, relative to the string movement when the bowstring is drawn back.

In general, the less the tip travels, the more efficient the bow. And the more efficient the bow, the faster it shoots. This reduced tip-travel also diminishes the recoil, or "kick," providing smoother operation in both draw and release. As a result, your shooting is smoother and your accuracy is improved.



Turcite Bearings

More Durability, Less Friction, For Faster Arrow Flight

Jennings was first in the industry with needle bearings. Since then, however, we found something much better: Turcite bearings. No other bow manufacturer offers the superior performance provided by Turcite bearings.

When an arrow is shot, the compound bow's eccentric wheels start, build up

tremendous speed, and stop suddenly—all in less than 1/50 second. With this kind of punishing use, needle bearings soon get bent out of shape, or dig into the axle, galling it, and causing performance and maintenance problems.

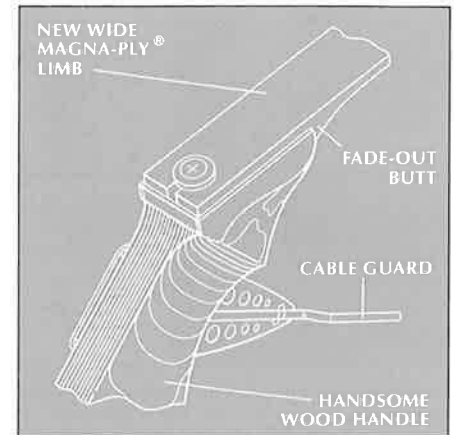
The Turcite bushing-type construction bears high loads well, and the self-lubricating Teflon® in the Turcite bearing provides minimum friction. Even Oilite bearings—also bushing-type design—are not as fast as Turcite. The result: Turcite bearings make your bow shoot faster and longer than any other type of bearing.

Solid Magna-Ply® Limbs

Deliver Arrows to the Target Faster, More Accurately

The latest state-of-the-art development in filament reinforced plastics, the MAGNA-PLY® limbs now in use on Jennings bows represent a great step forward from the industry's early fiberglass limbs. Indeed, today's limb designs and high-tech materials produce MAGNA-PLY® limbs that really perform to professional specifications.

It's easy to understand why: These limbs stand up to heavy wear and tear; shoot fast and flat; get more arrows where you want them to go.



FEATURES CHART

	MAG-T	MAG-LITE	WOODY	LIGHTNING	FORKED LIGHTNING	T-STAR II	SHOOTING STAR	ARROWSTAR
ALUMINUM HANDLE							•	•
LIGHT MAG HANDLE	•	•		•	•			
LAMINATED WOOD HANDLE				•				
MAGNA-PLY® LIMBS				•	•	•		
CUSTOM FADEOUT LIMBS							•	•
FADEOUT LIMBS							•	
WEDGE LIMBS	•	•						
SPLIT LIMB HANGER BRACKETS	•			•		•		
REINFORCED TIP WEDGE			•					
FAST NYLON TRI-DRAW WHEELS			•		•			
DURA-LITE™ 6-POSITION ECCENTRIC WHEELS	•			•		•	•	
CUSTOM MACHINED WHEELS								•
FAST TURCITE BEARINGS	•			•		•	•	•
LOAD BALANCING YOKE	•			•		•	•	•
CABLE GUARD	•			•		•	•	•
JENNINGS STRING ANCHOR	•	•	•	•	•	•	•	•
GPS CENTER SHOT (HUNTER)	•		•		•			
VELVET CUSHION PLUNGER (HUNTER)							•	•
EASY-CHANGE CABLE DESIGN	•			•		•	•	•
LIMB REINFORCING WASHER	•	•	•	•	•	•	•	•
JENNINGS ARROW REST (HUNTER)	•	•	•	•	•	•	•	•
SPRINGY ARROW REST (TARGET)							•	•
HIGH OR LOW GRIP							•	•
CHIP RESISTANT PAINT	•	•			•	•	•	•
HUNTER BLACK FINISH	•	•			•	•	•	•
CAMO FINISH	•	•			•	•	•	•
OPTIONAL CANDY APPLE PAINT (TARGET)							•	•
OPTIONAL WHITE LIMBS (TARGET)							•	•
CHROME CUP (TARGET)							•	•
1" DRAW LENGTH INCREMENTS	•	•	•	•	•	•	•	
½" DRAW LENGTH INCREMENTS								•

Use the Chart above to select the bow you think best for you. Simply decide on the features you want on your Jennings, then match your selections

with the appropriate bow on the chart. Features in blue give you that extra performance edge in the field or on the line.

Build Your Own JENNINGS Compound—and Save! JENNINGS COMPOUND BOW KIT—MODEL K



Great Gift To Give. (Or Receive!)

Again Jennings is first with the finest in archery equipment. Witness this MODEL K COMPOUND BOW KIT, a big sales winner in 1981, and already off to a flying start this year!

Bring out the CRAFTSMAN in you by building this beauty. Tailor-make it to fit to your own personality—limb and handle finish, colors, decals, Jennings supplies you with all the parts and easy-to-understand assembly instructions. You supply the hands-on know-how!

Kit Includes:

- 1 strong, easy-to-finish aluminum handle
- 2 Magna-Ply® limbs (as on the LIGHTNING, with its same speed and durability)
- 2 very light, fast nylon Tri-Draw wheels
- 2 protective hanger brackets
- 2 limb tongues for proper limb alignment
- 2 attractive limb cups
- 1 bowstring
- All fittings needed to assemble

Easy, step-by-step assembly methods let you get the job done in a few exciting hours. No special tools or skill required. Be your own bowyer and have fun while you save!

Outfit Your Bow to Match YOUR Style: JENNINGS ACCESSORIES

There's a wide variety of accessories to suit the archer's every need. Some are suited to target shooting, others to bow hunting. Refer to the two lists below for those which more particularly fit your archery interests.

Typical Accessories For Target Archers:

- Arrows (target points)
- Bow Sight (calibrated sliding type)
- Finger Guards (glove or tab)
- Custom Arrow Rest (choose one that fits YOU)
- Arrow & Equipment Box—(you'll need one for all your many pieces of equipment required on the shooting line)
- Quiver (belt or pocket)
- Arm Guard
- Bow Case
- String Peep (required equipment for tournament archers!)

Typical Accessories For Bowhunters:

- Arrows (broadhead points)
- Bow Sight (multiple pin hunting type)
- Bow Case
- String Silencers (many types available; choose carefully: may impair bow performance)
- Quiver (either a bow, back, or belt quiver)
- Finger Guards (glove or tab)
- Custom Arrow Rest (many types available; choose best type for your needs)
- Camo Equipment (Bow camo, Face camo, camo clothing, etc.)

JENNINGS ACCESSORIES:

1. SIX ARROW QUIVER
2. ACE-IN-THE-HOLE BOW QUIVER
3. FOAM CUP CUSHION
4. 6-ARROW QUIVER (Quick Draw Mounting)
5. ACE-IN-THE-HOLE QUIVER BRACKET
6. 6 ARROW QUIVER (Normal Mounting)
7. (A) PYLON CABLE GUARD
(B) ONE-PIECE CABLE GUARD
8. DEADSHOT HUNTING SIGHT
9. BUCKSHOT HUNTING SIGHT
10. (A) ANNIVERSARY BOW CASE
(B) CAMO HUNTER CASE
(C) SUPER BOW CASE
(D) CLASSIC TARGET CASE
(E) CLASSIC HUNTER CASE



11. COMPOUND BOW STRING CHANGER
12. SPRINGY ARROW REST
13. UNIVERSAL COMPOUND ARROW REST
14. BOW STRINGS
 - (A) TARGET
 - (B) HUNTING
15. VELVET CUSHION PLUNGER
16. HEAD-LOCK
17. MULTIPLE-PIN HUNTING SIGHT
18. KISSER BUTTON
19. GRIPS
 - (A) FOAM PADDED GRIP FOR CUSTOM HANDLE
 - (B) SMOOTH BLACK STANDARD
 - (C) SMOOTH BLACK HIGH WRIST
 - (D) WOODGRAINED STANDARD
 - (E) WOODGRAINED HIGH WRIST
 - (F) INSULATED MODEL "T"
 - (G) LIGHTNING/MAG
20. BROADHEAD WRENCH
21. ARROW TRACKER
22. ARROW HOLDER
23. BOW SQUARE
24. CABLE SAVER
25. GPS CENTER SHOT
26. CUSTOM FINISH HANDLES
 - (A) SPRUCE GREEN
 - (B) SUNBURST ORANGE
 - (C) JENNINGS BLUE
 - (D) PEARL WHITE
 - (E) CANDY APPLE RED
 - (F) ONYX BLACK
27. BACK AND SHOULDER PATCHES PLUS VINYL DECAL
28. BELT BUCKLE
29. T-SHIRT AND VISOR



THE BOWYER'S CORNER

Master Bowyer TOM JENNINGS Answers New Archers' Most-Asked Questions

Question: Is the sport of Archery difficult to learn?

Answer: Absolutely not! You may be surprised to learn that just a few minutes of basic instruction from a knowledgeable archer or instructor will have you hitting the target consistently. Of course, your skill will improve as you continue to practice the sport, no matter at what age you begin.

Question: Is a Compound Bow hard to pull?

Answer: The total energy expended while drawing (pulling), aiming and releasing a compound is less than with a conventional bow. Energy expended when holding a compound at full draw during the aiming process is far less because you hold it at about half the peak maximum weight of the bow. In a recurve or straight-end bow, the full peak weight is experienced at full draw, and this heavier weight must be held all through the aiming process.

Any archer can accurately handle more peak draw weight in a compound than in a conventional type bow. Your Jennings dealer will give you expert assistance in choosing your correct bow weight.

Question: Should I buy a Four Wheel or a Two Wheel Compound Bow?

Answer: Your intended purpose is the primary consideration when selecting a bow.

The two wheel design, which Jennings introduced in 1974, is most popular with both bowhunters and tournament shooters because of its simplicity of design, ease of shooting, and dependable performance. The four wheeler offers the broadest range of adjustment to give you maximum flexibility in tuning for precise flight, or for your individual style of shooting. It stores slightly more energy and generally is for the more dedicated archer.



Question: How do I determine my individual draw weight?

Answer: The typical TARGET draw weight for adult males is between 35 and 50 pounds; women and juniors is between 25 and 40 pounds.

The typical HUNTING draw weight for adult males is between 45 and 70 pounds; women and juniors is between 30 and 50 pounds.

Note that these draw weight figures are averages. In determining your correct draw weight, consult with your Jennings pro shop expert. Since our compounds have a 10-pound adjustment range, you will have no trouble finding a Jennings exactly for you.

Question: What if I "outgrow" my bow?

Answer: The ideal answer for the archer who is new to the sport and has not established his "permanent" draw length or weight is the Jennings TRI-DRAW Eccentrics System.

When you begin, set the bow in the SHORT DRAW slot. This ensures that you'll have the MINIMUM draw weight you'll ever use. Then, as you grow in size and/or strength, move to the next draw length slot which increases draw length and weight. The TRI-DRAW adjustable system is ideal for the young, growing archer, and makes it possible to use one compound bow for many years.

JENNINGS

A 12-Month WARRANTY and Expert SERVICE Wherever You Live.

Every Jennings product is guaranteed against defects in materials and workmanship for 12 months.

We service what we sell, and our dealers country-wide are trained and equipped to make most routine repairs. If your Jennings dealer cannot perform

major service, he will return your bow to our factory for immediate repair and prompt return.

Important: Immediately upon purchase of your bow, fill out the Warranty Card and return it to us for proper registration.

One Year Limited Warranty

Jennings Compound Bow, Inc. (Jennings) warrants each bow to be free from defects in material (exclusive of string) and workmanship for a period of one (1) year from the date of purchase to the original purchaser.

This warranty does not apply to damage caused by misuse, mishandling, negligence in use or maintenance, and is voided if repairs or adjustments are made after purchase by anyone other than Jennings or an authorized Jennings Full Service Dealer.

Jennings' responsibility shall be limited solely to repair or replacement of defective parts and Jennings shall not be liable for incidental or consequential damages. All implied warranties are limited to the terms of this limited warranty. Some states do not allow limitations on how long an implied warranty lasts or the exclusion or limitation on incidental or consequential damages, so the above limitations may not apply to you. This warranty gives you specific legal rights, and you may also have other rights which vary from state to state.

For this warranty to be valid, the original owner must return the warranty registration card to Jennings within ten (10) days of purchase.

To obtain warranty service, contact your nearest Jennings authorized Full Service Dealer for assistance, or package bow securely, enclosing a statement of claimed defect, attached to handle, and ship freight prepaid to:

Jennings Compound Bow, Inc., 28756 North Castaic Canyon Road, Valencia, CA 91355.



THE FIRST NAME IN COMPOUND BOWS.



**JENNINGS IS FIRST
WITH THE FINEST IN ARCHERY EQUIPMENT...**

- First in 1966 to market a compound bow.
- Introduced the first Step Eccentric in 1974.
- Introduced a whole new concept in bow design—the two-wheeler in 1974.
- First in 1976 with custom machined metal idlers.
- Led the industry in 1976 with the introduction of Solid Magna-Ply[®] reinforced limbs.
- Introduced the Split Limb Two Wheeler in 1977.
- First in 1978 with the Pylon Cable Guard.
- Introduced the first Tri-Draw Eccentric in 1978.
- First in 1980 with the Load Balancing Yoke on Split Limb Two Wheelers.

PROOF AGAIN THAT THERE IS ONLY ONE LEADER...

JENNINGS

THE FIRST NAME IN COMPOUND BOWS

28756 North Castaic Canyon Road • Valencia, CA 91355 • Phone (805) 257-4000