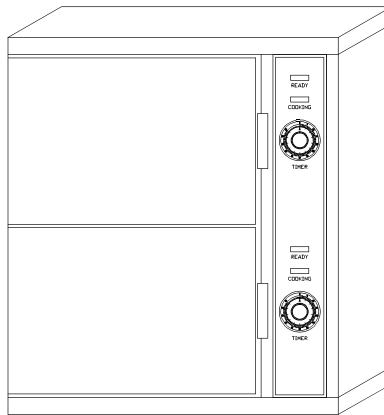


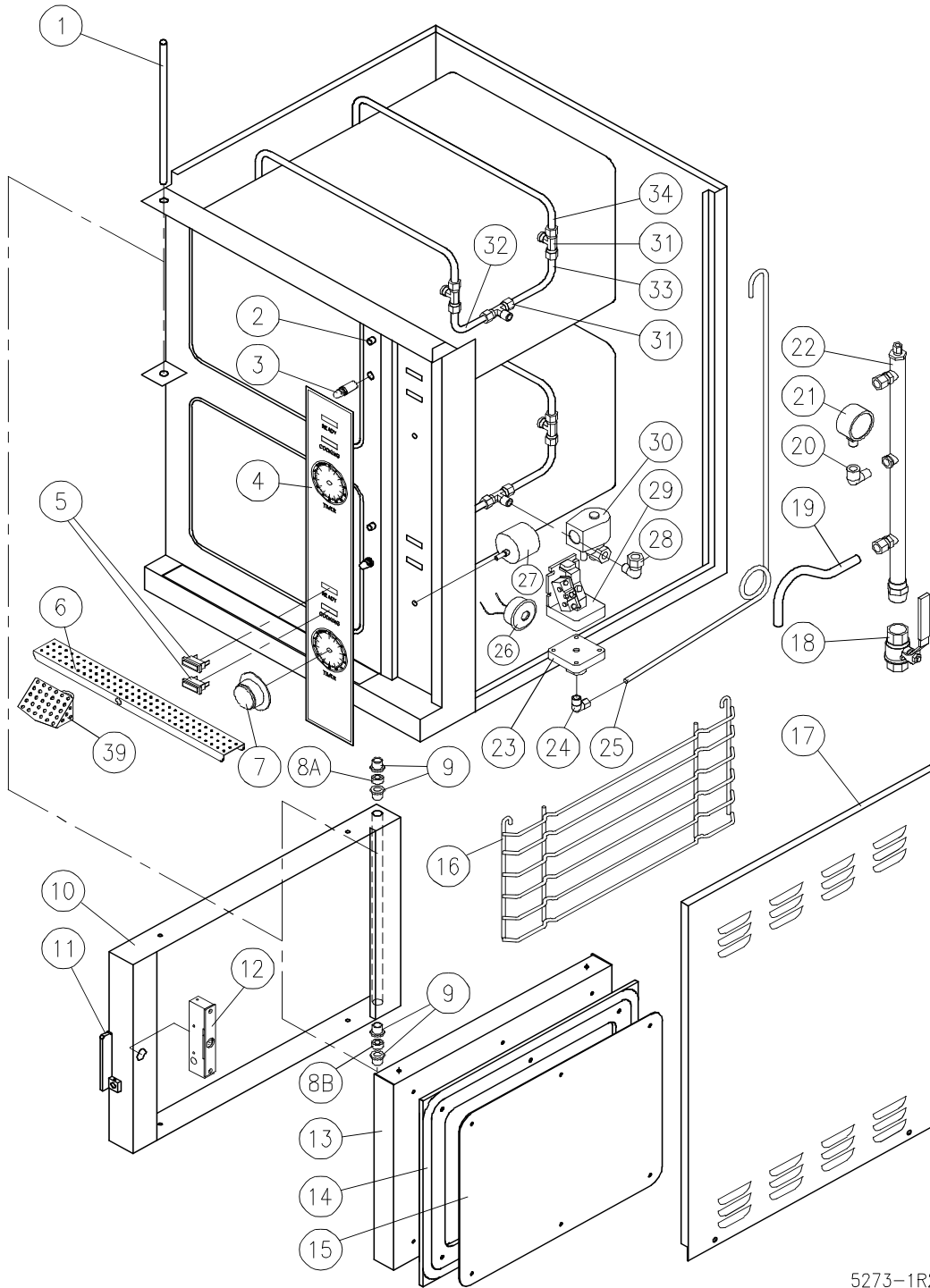
**PARTS LIST**  
**PRESSURELESS COOKER 6 PAN UNIT**  
**MODEL: G, E, S, DCX-2**



[WWW.SOLARISSTEAM.COM](http://WWW.SOLARISSTEAM.COM)

PARTS LIST, PRESSURELESS COOKER 6 PAN UNIT, MODEL CX-2

**FIGURE 1**



5273-1R2

PARTS LIST, PRESSURELESS COOKER 6 PAN UNIT, MODEL CX-2

<u>ITEM</u>	<u>PART NO.</u>	<u>DESCRIPTION</u>	<u>QUANTITY</u>
1.	8-5101	Hinge Rod	1
2.	9-3213	Door Switch	2
	9-3336	Actuator Rod Complete With Clip	2
3.	8-5021	Striker	2
*	8-5022	Washer	2
*	1-90S0	Lock Washer	2
*	1-99S0	Nut	2
4.	2577-1	Control Panel	1
5.	4996-3	Pilot Light - Amber	4
6.	8-5023	Perforated Trough	1
7.	4-TD02	Timer Dial	2
8A.	5716-1	Spacer - Upper	1
8B.	5717-1	Spacer - Lower	1
9.	8-5078	Bushing	6
10.	8-5076-11	Door Assembly	2
11.	8-5066-1	Handle	2
12.	9-1002-1	Latch Assembly	2
13.	8-5065-9	Door Panel	2
14.	8-5063-9	Door Gasket	2
15.	8-5064-9	Door Gasket Plate	2
	9-1101-1	Screws	12
16.	2681-1	Pan Racks	4
17.	8-5102	Enclosure Panel	1
*	1-34S4	Screws	2
18.	3-BEV0	Steam Control Valve	1
19.	9-3029	Steam Supply Tube	2

PARTS LIST, PRESSURELESS COOKER 6 PAN UNIT, MODEL CX-2

<u>ITEM</u>	<u>PART NO.</u>	<u>DESCRIPTION</u>	<u>QUANTITY</u>	
20.	3-H116B	Elbow	1	
21.	3-BM15	Pressure Gauge	1	
22.	9-3219	Steam Manifold	1	
23.	3-RD30	Transducer	1	
24.	3-694B	Elbow, 1/4C x 1/4 MPT	1	
25.	9-3220	Steam Tube, 1/4 Copper	1	
26.	3821-1	Buzzer	1	
27.	4-T210	Timer	2	
*	9109-1	Rotary Shaft Seal	2	
28.	3-688B	Connector, 1/2 c x 1/4 MPT	2	
29.	3-PA36	Pressure Switch	1	
30.	3-S263	Steam Solenoid Valve	2	
31.	3-726B	Tee, 3/8C x 1/4 MPT	6	
32.	9-3221	Steam Tube - Front	2	
33.	9-3222	Steam Tube - Rear	2	
34.	9-3295	Steam Tube - Crossover	4	
*	35.	9-3296	Compartment Drain Hose	2
*	36.	9-3223	Component Mounting Panel	1
*	37.	8-5108	Top Panel	1
*	38.	8-5103	Left Hand Side & Back Panel	1
	39.	8-5081	Compartment Strainer	2

\* NOT SHOWN.

\*\* SELECT AS REQUIRED.