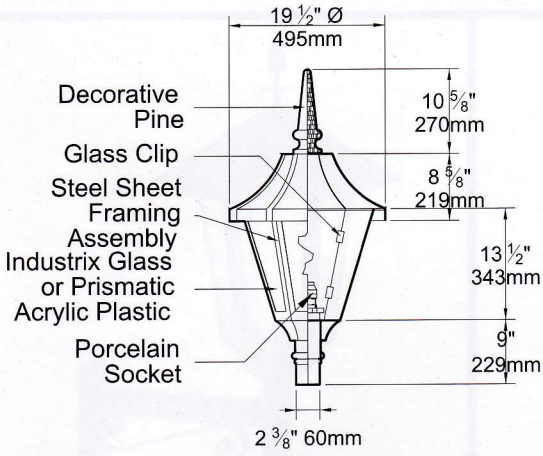


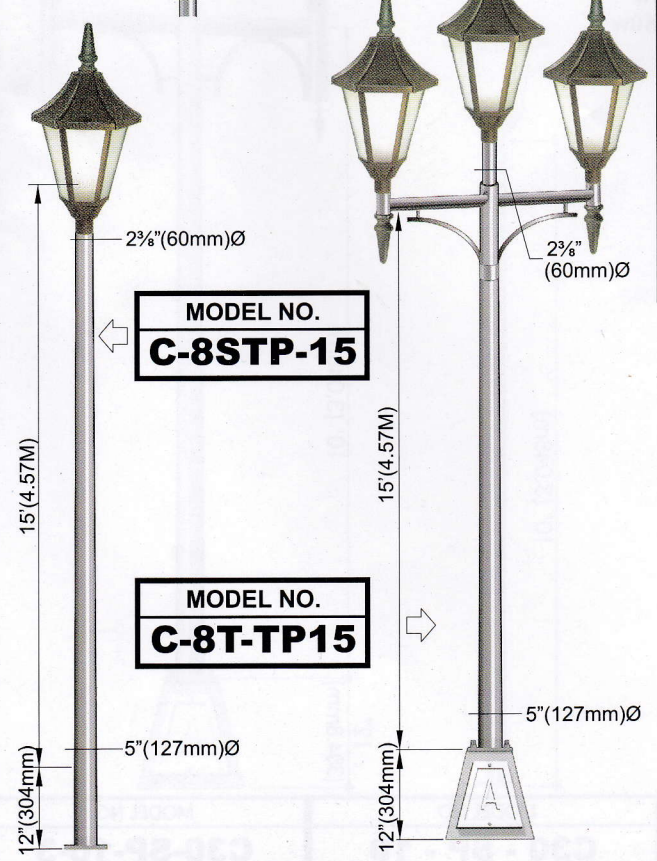
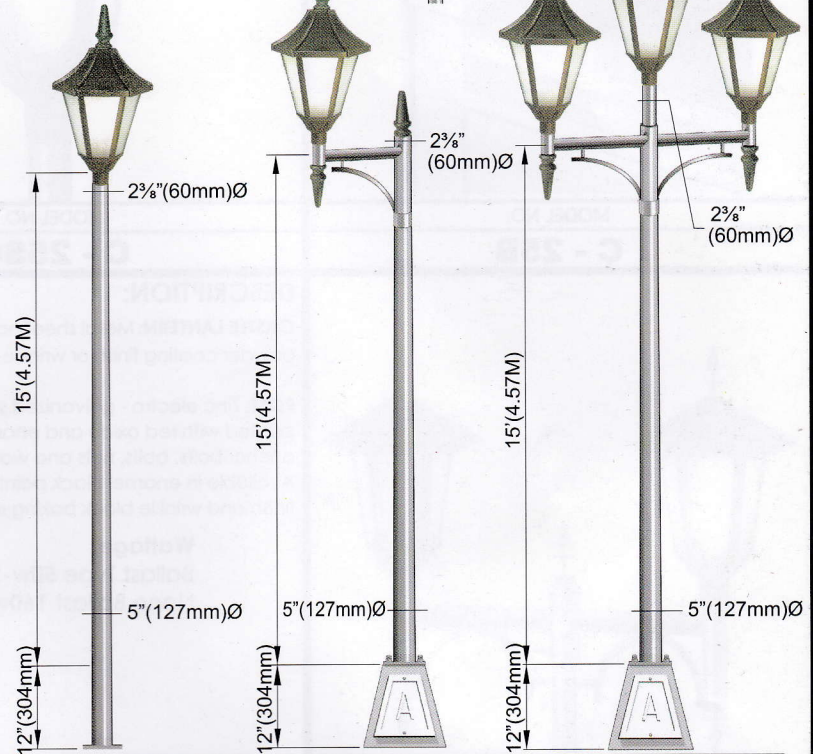
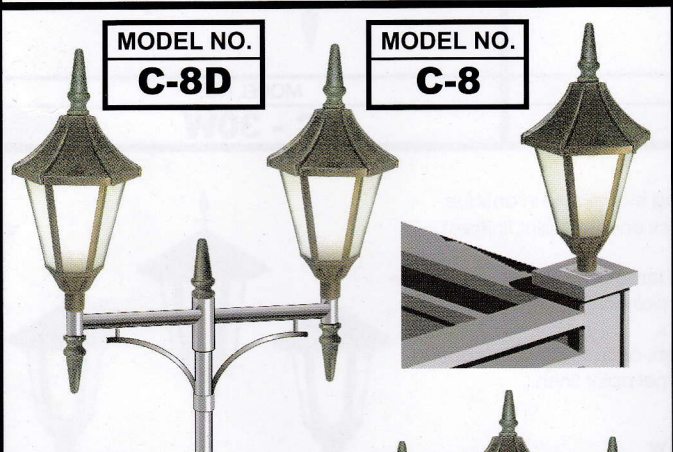
# AMCO CASTLE LANTERN



MODEL NO.  
**C-9**



MODEL NO.  
**C-9D**



MODEL NO.  
**C-9S-TP15**

MODEL NO.  
**C-9S-TP15-B**

MODEL NO.  
**C-9T-TP15**

