

LEGENDS/SYMBOLS

	FINISHED WOOD		PLYWOOD
	DIMENSION LUMBER		BATT INSULATION
	FACE BRICK		GROUT
	RIGID INSULATION		GLAZED TILE
	CUT STONE		MARBLE
	CONCRETE		ACOUSTICAL CEILING
	CONCRETE BLOCK		SHIM PACK
	STEEL IN SECTION		ALUMINUM
	DENOTES BLOCKING OR SHIM, NOT CONTINUOUS, NOT NECESSARILY ONE PIECE		
	DENOTES BACKER ROD OR CAULK ROPE		
	ANCHOR LOCATION		
	FASTENER LOCATION		
	DIMENSIONAL REFERENCE / ELEVATION		
	WORKING POINT		
	FIELD APPLIED SEALANT		
	SHOP DRILL		
	FIELD DRILL		
	GLAZING INDICATION NUMBER		
	DETAIL NUMBER		
	SHEET NUMBER		
DETAIL TAG			
	SHOP DRAWING DETAIL NUMBER		
	SHOP DRAWING SHEET NUMBER		
	ARCH. DRAWING DETAIL REFERENCE		
	SHOP DRAWING ELEVATION REFERENCE		
	CLOUDED AREAS INDICATES DIMENSIONS THAT NEED TO BE CLARIFIED OR VERIFIED BY THE ARCHITECT.		
	WINDOW MARK		
	DOOR FRAME MARK		
	DOOR NUMBERS		
	ELEVATION LOCATION-VIEW POINT		
	ELEVATION MARK/TITLE		
	ELEVATION SHEET NUMBER		

ABBREVIATIONS

A/C = ACCESS CONTROLLED	N.I.C. = NOT IN CONTRACT
A.F.F. = ABOVE FINISHED FLOOR	N.T.S. = NOT TO SCALE
B.O. = BY OTHERS	O.D. = OPENING DIMENSION
B.O.H. = BOTTOM OF HORIZONTAL	O.F.D. = OVERALL FRAME DIMENSION
B.O.S. = BOTTOM OF STEEL	REF. = REFERENCE
C.L. = CENTER LINE	R.O. = ROUGH OPENING
DIM. = DIMENSION	T.O.F.F. = TOP OF FINISHED FLOOR
D.L.O. = DAYLIGHT OPENING	T.O.H. = TOP OF HORIZONTAL
D.L. = DEAD LOAD (ANCHOR)	T.O.S. = TOP OF SLAB
D.O. = DOOR OPENING	T.O.STL. = TOP OF STEEL
EL. = ELEVATION	U.N.O. = UNLESS NOTED OTHERWISE
F.S. = FRAME SIZE	W.C. = WEB CENTER
F.F. = FINISH FLOOR	W.D. = WINDOW DIMENSION
G.C. = GENERAL CONTRACTOR	W.L. = WIND LOAD (ANCHOR)
M.O. = MASONRY OPENING	W.P. = WORKING POINT
M.L. = MULLION LENGTH	
N.B.G.T. = NOT BY GLASSTECH	

NEW HANOVER COUNTY
 GOVERNMENT CENTER
 230 GOVERNMENT CENTER DRIVE
 WILMINGTON, NC 28403

ARCHITECT:
 LS3P ASSOCIATES LTD.
 101 NORTH THIRD STREET
 SUITE 500
 WILMINGTON, NC 28401
 P: 910.790.9901
 LAURAMILLER@LS3P.COM

ERECTOR
 GLASSTECH COMMERCIAL GLAZING SERVICES, INC.
 850 WEST STAR STREET
 GREENVILLE, NC 27834
 P: 252.355.9195

THE FOLLOWING DOCUMENTS WERE USED TO APPLY MANUFACTURERS CONFIRMED QUOTED JOB SCOPE TO THE JOB CONDITIONS.

ARCHITECTURAL DRAWINGS DATED 01.29.21

CUSTOMER TAKEOFF: YES _____

SPECIFICATIONS: YES _____

ADDENDUM: NO _____

OTHER: NA _____

INDEX	
SHEET NUMBER	DESCRIPTION
.01	COVER SHEET
.02 - .03	GENERAL INFORMATION/DOOR SCHEDULE
1.01 - 1.11	FLOOR PLANS
2.01 - 2.29	ELEVATIONS
3.01 - 3.26	DETAILS

1ST SUBMISSION	4.22.21
1ST REVISION	7.14.21
2ND REVISION (ENGINEERING)	7.20.21
NO	NO
DESCRIPTION	DATE
DRAWING SUBMISSION	

GLASSTECH COMMERCIAL GLAZING SERVICES, INC.
 850 WEST STAR STREET
 GREENVILLE, NC 27834
 P: 252.355.9195

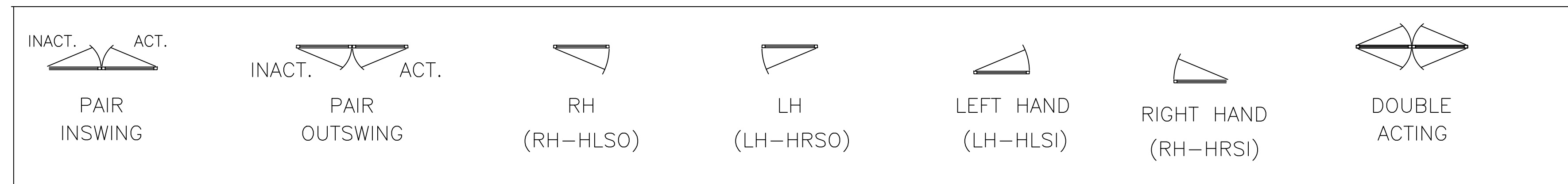
PROJECT: NEW HANOVER COUNTY GOVERNMENT CENTER
 LOCATION: 230 GOVERNMENT CENTER DRIVE WILMINGTON, NC 28403
 ARCHITECT: LS3P ASSOCIATES LTD.
 CUSTOMER: GLASSTECH COMMERCIAL GLAZING SERVICES

DRAWN BY: DJ	DATE: 4.22.21
CHECKED BY: WH	DATE: 4.22.21

DOOR SCHEDULE (STOREFRONT DOORS AND FRAMES)

DOOR #	OPENING SIZE	HW SET	HAND	DOOR TYPE	FRAME	FRAMING	AREA
101	6'-0" X 7'-11 3/4"	#17	PRSO	ALUM/GLASS	SF2	YES 45TU	LOBBY B 120B
101A	6'-0" X 7'-11 3/4"	#17	PRSO	ALUM/GLASS	SF2	YES 45TU	LOBBY B 120B
101B	6'-0" X 7'-11 3/4"	#17	PRSO	ALUM/GLASS	SF2	YES 45TU	LOBBY B 120B
101C	6'-0" X 7'-11 3/4"	#17	PRSO	ALUM/GLASS	SF2	YES 45TU	LOBBY B 120B
101E	3'-0" X 7'-11 3/4"	#17A	RH-HLSO	ALUM/GLASS	SF3	YES 45TU	CORRIDOR 147B
101J	3'-0" X 7'-11 3/4"	#17A	LH-HRSO	ALUM/GLASS	SF4	YES 45TU	RECEPTION 154A
101K	3'-0" X 7'-11 3/4"	#17A	LH-HRSO	ALUM/GLASS	SF4	YES 45TU	VOTING 155
102	6'-0" X 7'-9 1/2"	#17	PRSO	ALUM/GLASS	CW5	YCW 750 OG	OFFICE VESTIBULE
102A	6'-0" X 7'-9 1/2"	#17	PRSO	ALUM/GLASS	CW5	YCW 750 OG	OFFICE VESTIBULE
102B	6'-0" X 7'-11 1/8"	#17	PRSO	ALUM/GLASS	CW11	YCW 750 OG	OFFICE VESTIBULE
102C	6'-0" X 7'-11 1/8"	#17	PRSO	ALUM/GLASS	CW11	YCW 750 OG	OFFICE VESTIBULE
105	6'-0" X 7'-9"	#17	PRSO	ALUM/GLASS	CW13	YHC 300 OG	HUB VESTIBULE 105
105A	6'-0" X 7'-9"	#17	PRSO	ALUM/GLASS	CW13	YHC 300 OG	HUB VESTIBULE 105
105B	6'-0" X 7'-9 1/2"	#17	PRSO	ALUM/GLASS	SF7	YHC 300 OG	HUB VESTIBULE 105
105C	6'-0" X 7'-9 1/2"	#17	PRSO	ALUM/GLASS	SF6	YHC 300 OG	HUB VESTIBULE 105
106A	3'-0" X 7'-9"	#17A	LH-HRSO	ALUM/GLASS	CW14	YHC 300 OG	HUB 153
106B	3'-0" X 7'-9"	#17A	RH-HLSO	ALUM/GLASS	CW15	YHC 300 OG	HUB 153
107	3'-0" X 7'-9"	#17A	LH-HRSO	ALUM/GLASS	CW12	YHC 300 OG	LOBBY 157
114	3'-0" X 7'-11 3/4"	#17A	LH-HRSO	ALUM/GLASS	SF20	YES 45TU	VOTING 155

THE DOOR HARDWARE HAS YET TO BE FINALIZED. HARDWARE SETS TBD. HW BY OTHERS.



ALUMINUM STOREFRONT DOOR NOTES:

- 1) ALUMINUM EXTERIOR STOREFRONT DOORS @ EOC ARE YKK 50H WIDE STILE DOORS (2 3/8" THICK) WITH 5" TOP RAIL & 12" STACKED BOTTOM RAIL, TO ACCEPT 1" LAMINATED GLAZING.
- 2) ALUMINUM EXTERIOR STOREFRONT DOORS @ OFFICE ARE YKK 50XT WIDE STILE DOORS (2 3/8" THICK) WITH 5" TOP RAIL & 12" STACKED BOTTOM RAIL, TO ACCEPT 1" GLAZING.
- 3) ALUMINUM INTERIOR STOREFRONT DOORS ARE YKK 50D WIDE STILE DOORS (1 3/4" THICK) WITH 5" TOP RAIL & 12" STACKED BOTTOM RAIL, TO ACCEPT 1/4" GLAZING.
- 4) DOOR HARDWARE IS SUPPLIED AND INSTALLED BY OTHERS.

1ST SUBMISSION	4.22.21
1ST REVISION	7.14.21
2ND REVISION (ENGINEERING)	7.20.21
DESCRIPTION	
DRAWING SUBMISSION	DATE

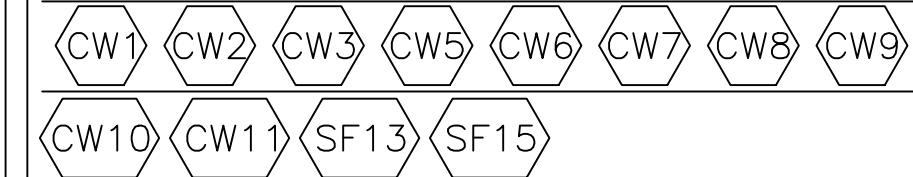
GLASS TECH COMMERCIAL GLAZING SERVICES, INC.
 850 WEST STAR STREET
 GREENVILLE, NC 27834
 P: 252.355.9195

PROJECT: NEW HANOVER COUNTY GOVERNMENT CENTER
 LOCATION: 230 GOVERNMENT CENTER DRIVE WILMINGTON, NC 28403
 ARCHITECT: LS3P ASSOCIATES LTD.
 CUSTOMER: GLASS TECH COMMERCIAL GLAZING SERVICES

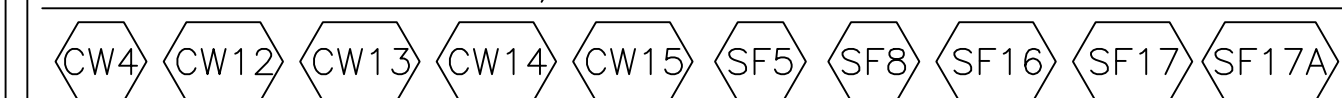
DRAWN BY:	DATE:
DJ	4.22.21
CHECKED BY:	DATE:
WH	4.22.21

PRODUCT TYPES

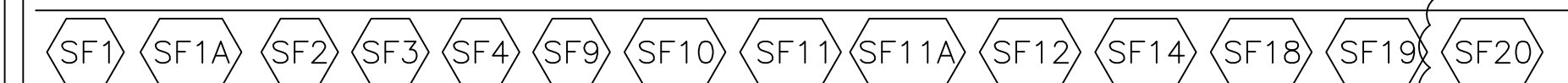
YKK YCW750 OG – 2 1/2" X 7 1/2" – EXTERIOR CURTAINWALL
TO ACCEPT 1" GLASS



YKK YHC 300 OG – 3" X 7 11/16" – EXTERIOR CURTAINWALL
TO ACCEPT 1 5/16" GLASS



YKK YES 45 TU – 2" X 4 1/2" – THERMALLY BROKEN EXTERIOR STOREFRONT
CENTER SET TO ACCEPT 1" GLASS



YKK YHC 300 OG – 3" X 7 11/16" – INTERIOR CURTAINWALL
TO ACCEPT 1" GLASS



FINISH TYPE AND COLOR:
YKK YB5N DARK BRONZE ANODIZED PLUS

EXCLUSIONS

- ANY BLOCKING
- OVERHEAD BRACING, BRACING & SUPPORTS
- LOUVERS
- FLASHING
- CLEANING OF IN PLACE MATERIAL
- PROTECTION OF WORK IN PLACE
- ANY INSULATION
- ANY FIRESAFING

GLASS SCHEDULE

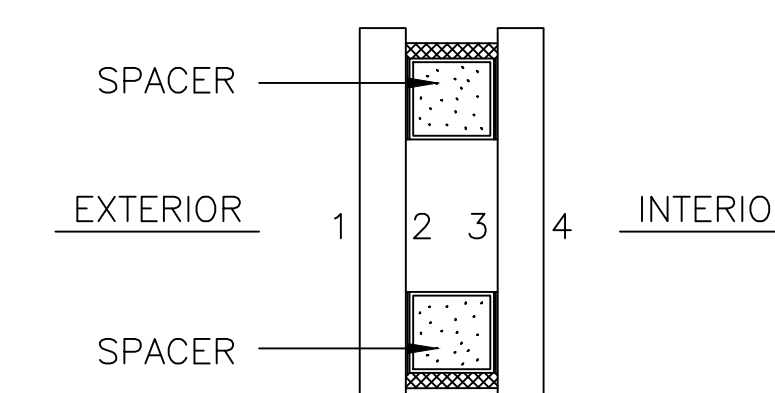
SYMBOL	DESCRIPTION (SEE SUBMITTALS)
GL1T	1" INSULATED GLASS - TEMPERED VISION - 1/4" CLEAR TEMPERED W/ SNX 51/23 HT ON #2 SURFACE - 1/2" AIR SPACE - 1/4" CLEAR TEMPERED
GL2T	1 5/16" INSULATED IMPACT GLASS - TEMPERED VISION - 1/4" CLEAR TEMPERED W/ SNX 51/23 HT ON #2 SURFACE - 3/8" AIR SPACE - 1/4" CLEAR HEAT STRENGTHENED - .180 SGP - 1/4" CLEAR TEMPERED
GL3T	1/4" CLEAR TEMPERED
GL5T	1" INSULATED GLASS - TEMPERED SPANDREL - 1/4" CLEAR TEMPERED W/ SNX 51/23 HT ON #2 SURFACE - 1/2" AIR SPACE - 1/4" CLEAR TEMPERED W/ WARM GRAY CERAMIC FRIT ON #4 SURFACE
GL6T	1 5/16" INSULATED IMPACT GLASS - TEMPERED SPANDREL - 1/4" CLEAR TEMPERED W/ SNX 51/23 HT ON #2 SURFACE - 3/8" AIR SPACE - 1/4" CLEAR HEAT STRENGTHENED - .180 SGP - 1/4" CLEAR TEMPERED W/ WARM GRAY CERAMIC FRIT ON #6 SURFACE
GL7T	1" INSULATED GLASS - TEMPERED SPANDREL - 1/4" CLEAR TEMPERED W/ SNX 51/23 HT ON #2 SURFACE - 1/2" AIR SPACE - 1/4" CLEAR TEMPERED W/ CERAMIC FRIT SCREEN 1/8" DOTS 40% COVERAGE
GL9T	1" INSULATED IMPACT GLASS - TEMPERED VISION - 3/16" CLEAR TEMPERED W/ SNX 51/23 ON #2 SURFACE - 5/16" AIR SPACE - 3/16" CLEAR HEAT STRENGTHENED - .180 SGP - 3/16" CLEAR TEMPERED
	ACM PANELING HAS BEEN REMOVED FROM PROJECT

ARCH/GC GLASS NOTES:

ALL GLAZING TYPES LISTED HERE ARE BASIC DESCRIPTIONS. REFERENCE GLASSTECH'S SEPARATE SUBMITTALS FOR A COMPLETE GLASS SCHEDULE.

GLASS ILLUSTRATION

TYPICAL 1" GLAZING



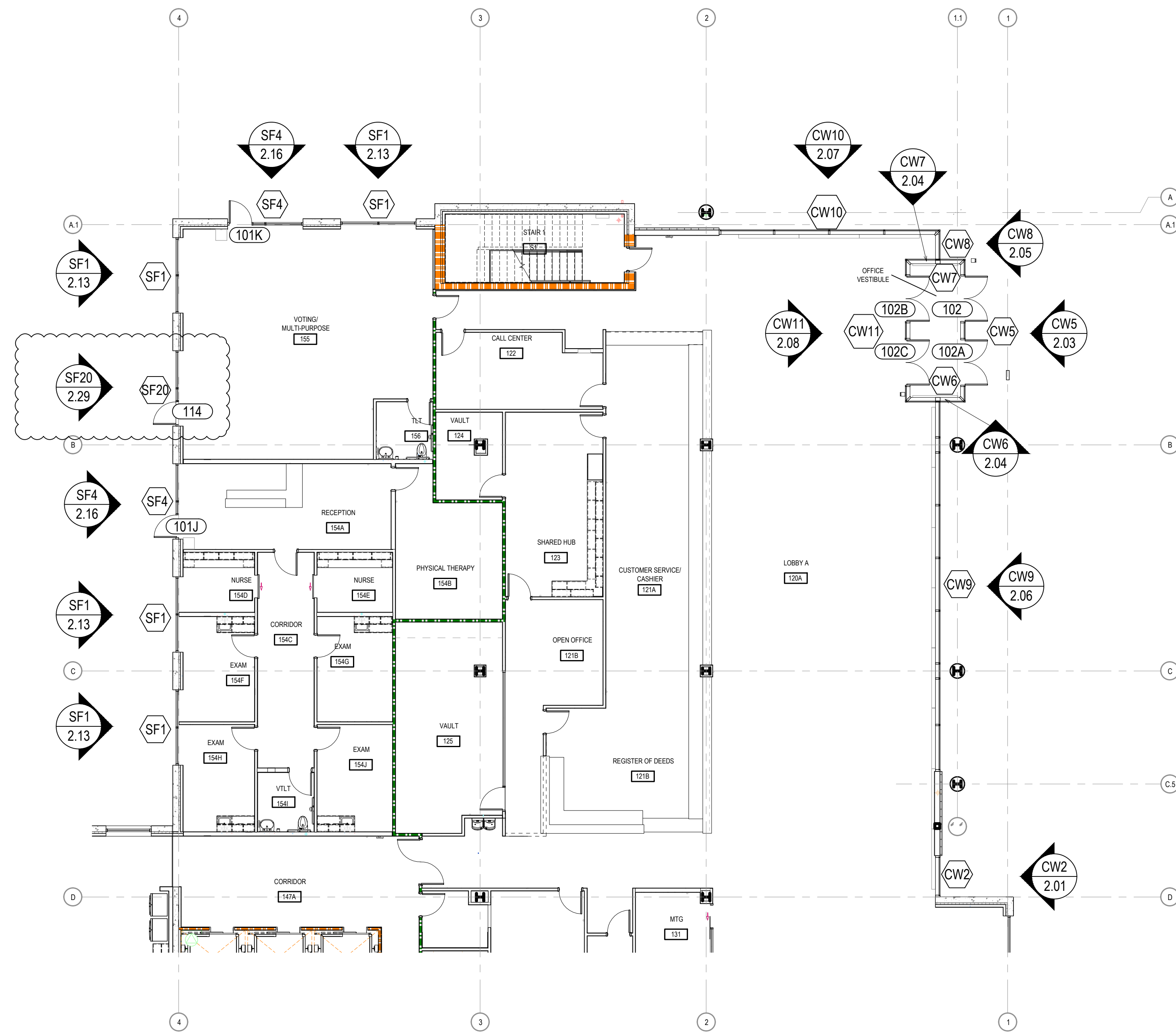
1ST SUBMISSION	4.22.21	GLASS TECH COMMERCIAL GLAZING SERVICES, INC. 850 WEST STAR STREET GREENVILLE, NC 27834 P: 252.355.9195
1ST REVISION	7.14.21	
2ND REVISION (ENGINEERING)	7.20.21	
DATE	DATE	DRAWING SUBMISSION

PROJECT: NEW HANOVER COUNTY GOVERNMENT CENTER	LOCATION: 230 GOVERNMENT CENTER DRIVE WILMINGTON, NC 28403	ARCHITECT: LS3P ASSOCIATES LTD.	CUSTOMER: GLASS TECH COMMERCIAL GLAZING SERVICES
DRAWN BY: DJ	DATE: 4.22.21	CHECKED BY: WH	DATE: 4.22.21

.03

ARCH / G.C. NOTE:

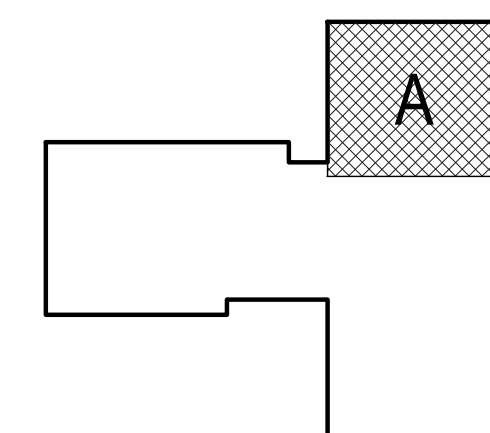
FLOOR PLANS ARE PROVIDED FOR OPENING TYPE LOCATION ONLY. REFER TO SPECIFIC MARK ELEVATIONS FOR SIZE REFERENCE DIMENSIONING, MULLION SPACING, ETC.



FLOOR PLAN - LEVEL 1 - AREA A

NTS ARCH. REF.: A-101A

KEY PLAN



1ST SUBMISSION	4.22.21
1ST REVISION	7.14.21
2ND REVISION (ENGINEERING)	7.20.21
DATE	
DRAWING SUBMISSION	

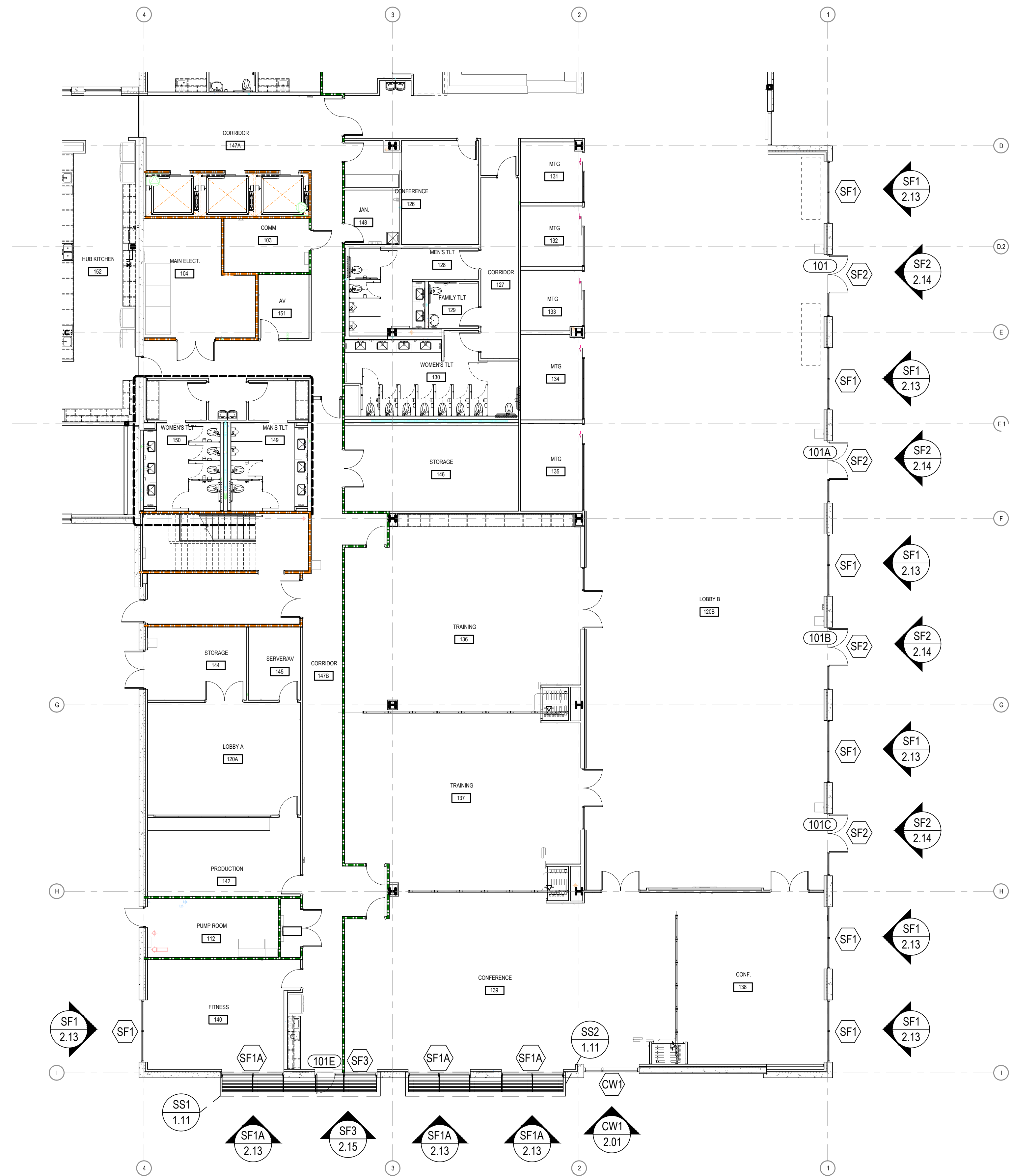
GLASS TECH COMMERCIAL GLAZING SERVICES, INC.
 850 WEST STAR STREET
 GREENVILLE, NC 27834
 P: 252.355.9195

PROJECT: NEW HANOVER COUNTY GOVERNMENT CENTER
 LOCATION: 230 GOVERNMENT CENTER DRIVE WILMINGTON, NC 28403
 ARCHITECT: LS3P ASSOCIATES LTD.
 CUSTOMER: GLASS TECH COMMERCIAL GLAZING SERVICES

DRAWN BY:	DATE:
DJ	4.22.21
CHECKED BY:	DATE:
WH	4.22.21

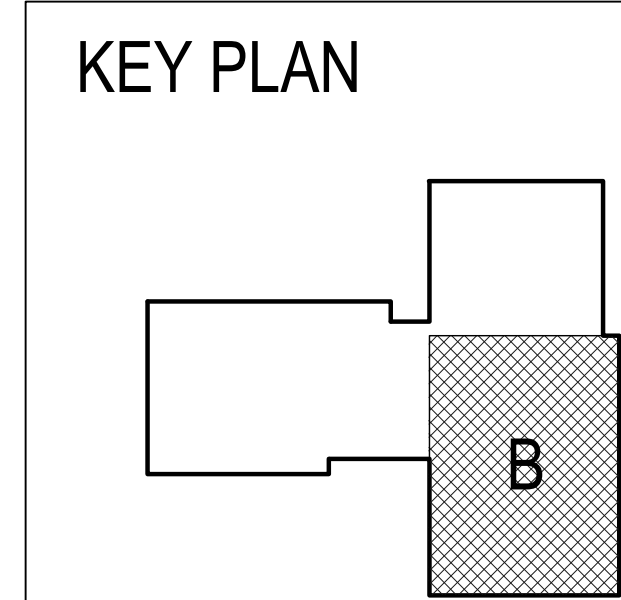
ARCH / G.C. NOTE:

FLOOR PLANS ARE PROVIDED FOR OPENING TYPE LOCATION ONLY. REFER TO SPECIFIC MARK ELEVATIONS FOR SIZE REFERENCE DIMENSIONING, MULLION SPACING, ETC.



FLOOR PLAN - LEVEL 1 - AREA B

NTS ARCH. REF.: A-101B

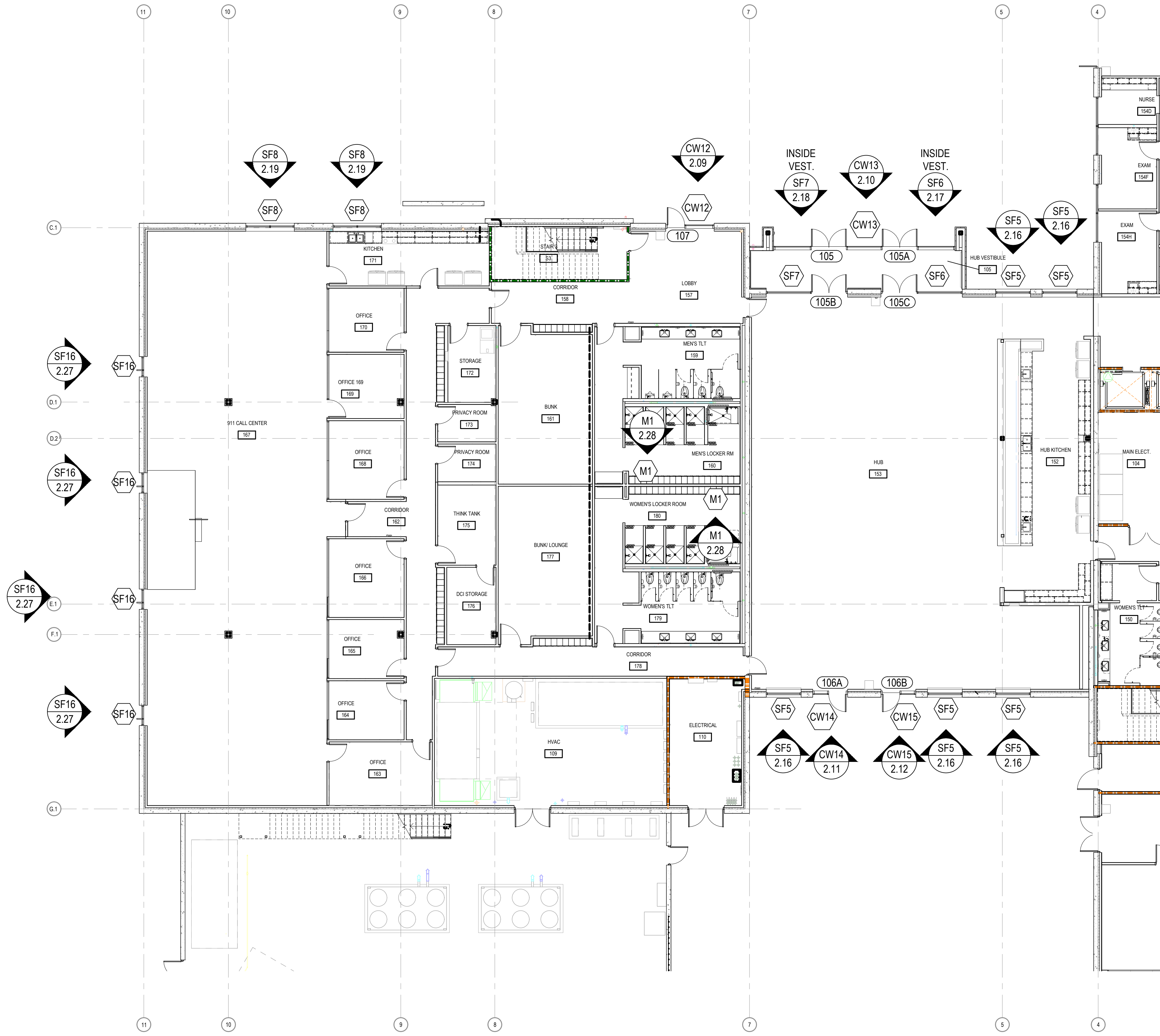


1ST SUBMISSION	4.22.21
1ST REVISION	7.14.21
2ND REVISION (ENGINEERING)	7.20.21
	DATE
DRAWING SUBMISSION	

GLASS TECH COMMERCIAL GLAZING SERVICES, INC.
 850 WEST STAR STREET
 GREENVILLE, NC 27834
 P: 252.355.9195

PROJECT: NEW HANOVER COUNTY GOVERNMENT CENTER
 LOCATION: 230 GOVERNMENT CENTER DRIVE WILMINGTON, NC 28403
 ARCHITECT: LS3P ASSOCIATES LTD.
 CUSTOMER: GLASS TECH COMMERCIAL GLAZING SERVICES

DRAWN BY:	DATE:
DJ	4.22.21
CHECKED BY:	DATE:
WH	4.22.21



ARCH / G.C. NOTE:

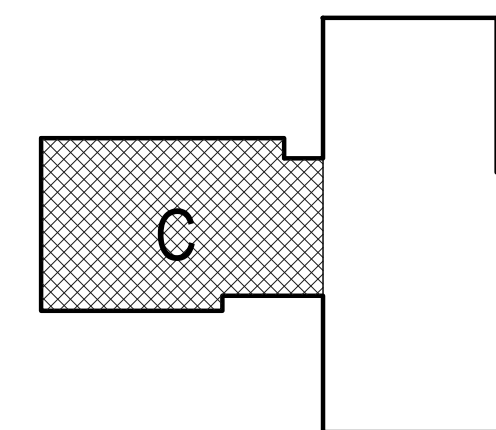
FLOOR PLANS ARE PROVIDED FOR OPENING TYPE LOCATION ONLY. REFER TO SPECIFIC MARK ELEVATIONS FOR SIZE REFERENCE DIMENSIONING, MULLION SPACING, ETC.

FLOOR PLAN - LEVEL 1 - AREA C

NTS

ARCH. REF.: A-101C

KEY PLAN



1ST SUBMISSION	4.22.21
1ST REVISION	7.14.21
2ND REVISION (ENGINEERING)	7.20.21
DATE	
DRAWING SUBMISSION	

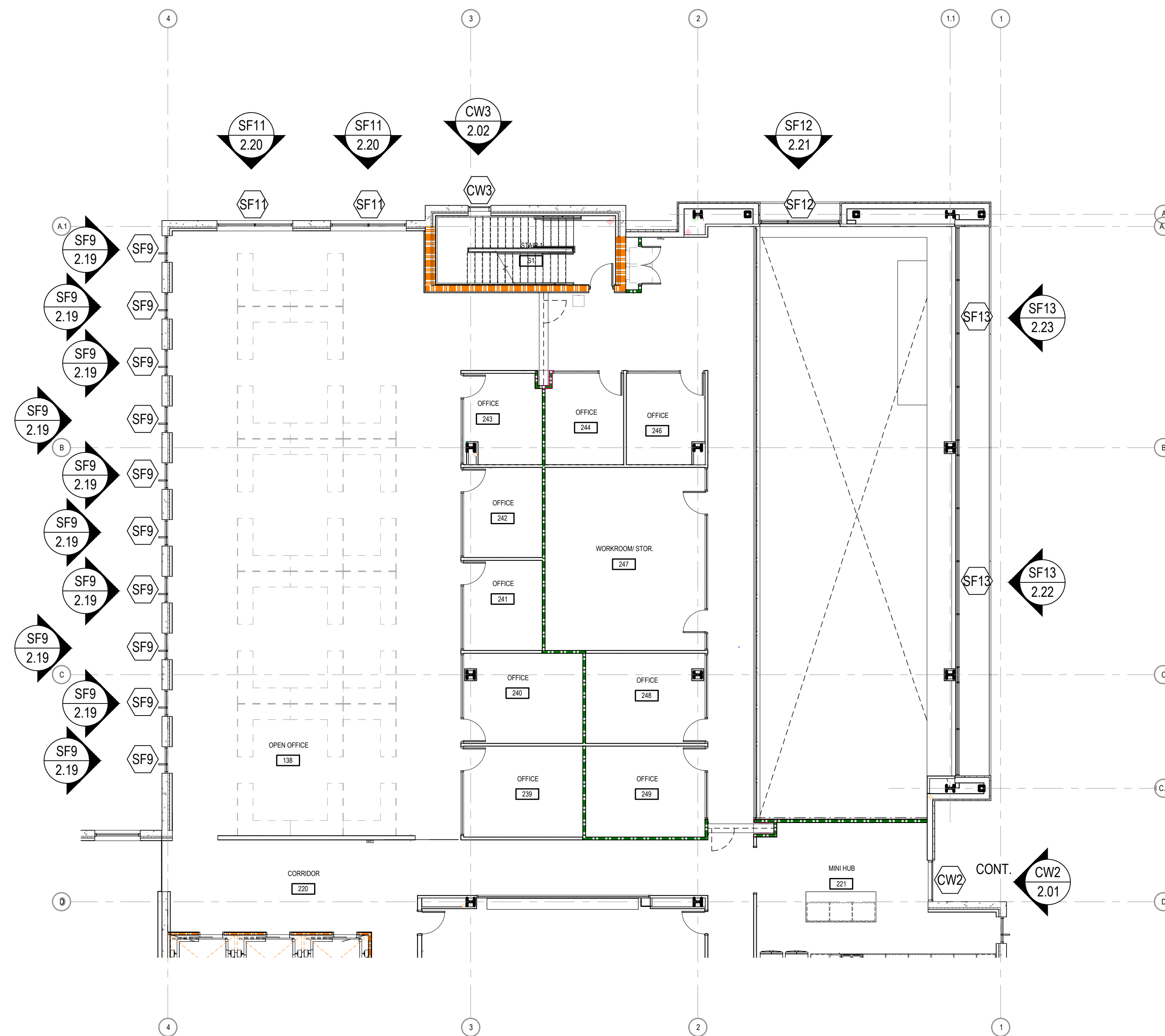
GLASS TECH COMMERCIAL GLAZING SERVICES, INC.
 850 WEST STAR STREET
 GREENVILLE, NC 27834
 P: 252.355.9195

PROJECT: NEW HANOVER COUNTY GOVERNMENT CENTER
 LOCATION: 230 GOVERNMENT CENTER DRIVE WILMINGTON, NC 28403
 ARCHITECT: LS3P ASSOCIATES LTD.
 CUSTOMER: GLASS TECH COMMERCIAL GLAZING SERVICES

DRAWN BY:	DATE:
DJ	4.22.21
CHECKED BY:	DATE:
WH	4.22.21

ARCH / G.C. NOTE:

FLOOR PLANS ARE PROVIDED FOR OPENING TYPE LOCATION ONLY. REFER TO SPECIFIC MARK ELEVATIONS FOR SIZE REFERENCE DIMENSIONING, MULLION SPACING, ETC.

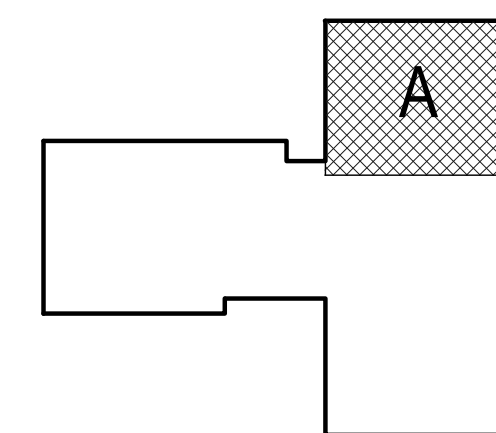


FLOOR PLAN - LEVEL 2 - AREA A

NTS

ARCH. REF.: A-102A

KEY PLAN

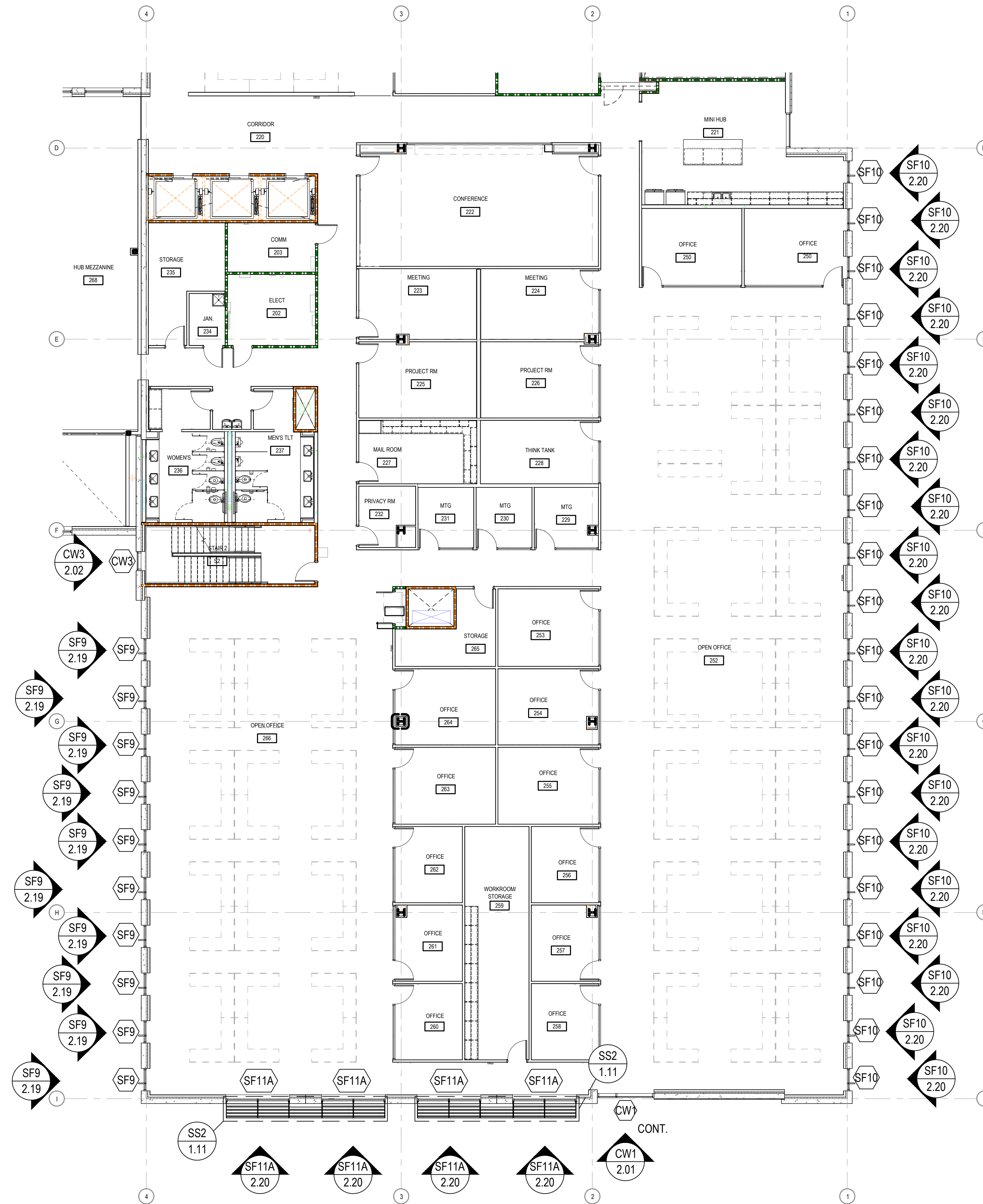


1ST SUBMISSION	4.22.21
1ST REVISION	7.14.21
2ND REVISION (ENGINEERING)	7.20.21
DATE	
DRAWING SUBMISSION	

GLASS TECH COMMERCIAL GLAZING SERVICES, INC.
 850 WEST STAR STREET
 GREENVILLE, NC 27834
 P: 252.355.9195

PROJECT: NEW HANOVER COUNTY GOVERNMENT CENTER
 LOCATION: 230 GOVERNMENT CENTER DRIVE WILMINGTON, NC 28403
 ARCHITECT: LS3P ASSOCIATES LTD.
 CUSTOMER: GLASS TECH COMMERCIAL GLAZING SERVICES

DRAWN BY:	DATE:
DJ	4.22.21
CHECKED BY:	DATE:
WH	4.22.21



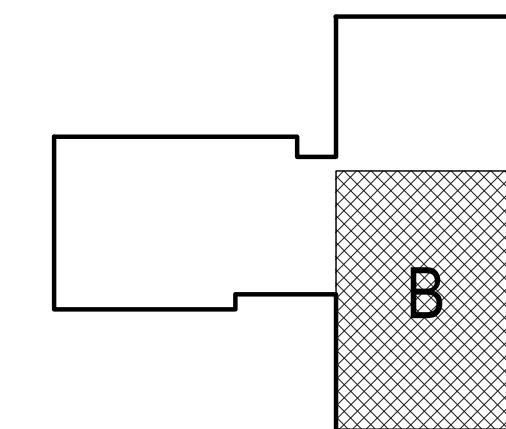
ARCH / G.C. NOTE:

FLOOR PLANS ARE PROVIDED FOR OPENING TYPE LOCATION ONLY. REFER TO SPECIFIC MARK ELEVATIONS FOR SIZE REFERENCE DIMENSIONING, MULLION SPACING, ETC.

FLOOR PLAN - LEVEL 2 - AREA B

NTS ARCH. REF.: A-102B

KEY PLAN

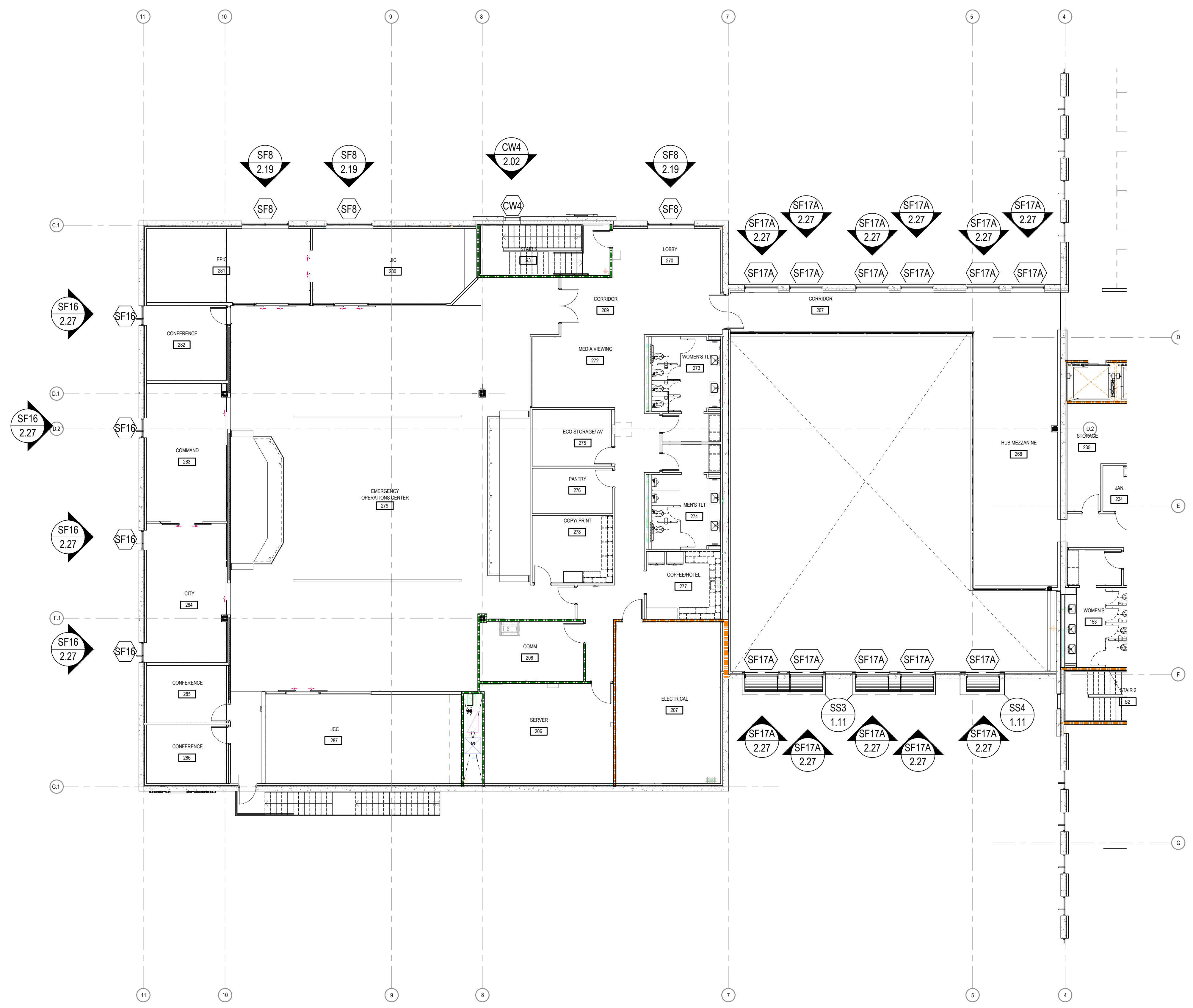


1ST SUBMISSION	4.22.21
1ST REVISION	7.14.21
2ND REVISION (ENGINEERING)	7.20.21
DATE	
DRAWING SUBMISSION	

GLASS TECH COMMERCIAL GLAZING SERVICES, INC.
 850 WEST STAR STREET
 GREENVILLE, NC 27834
 P: 252.355.9195

PROJECT: NEW HANOVER COUNTY GOVERNMENT CENTER
 LOCATION: 230 GOVERNMENT CENTER DRIVE WILMINGTON, NC 28403
 ARCHITECT: LS3P ASSOCIATES LTD.
 CUSTOMER: GLASS TECH COMMERCIAL GLAZING SERVICES

DRAWN BY:	DATE:
DJ	4.22.21
CHECKED BY:	DATE:
WH	4.22.21



ARCH / G.C. NOTE:

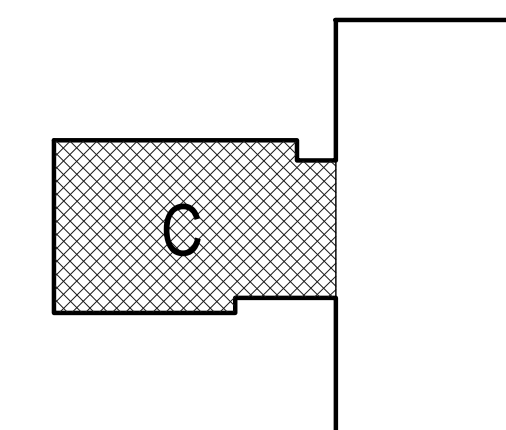
FLOOR PLANS ARE PROVIDED FOR OPENING TYPE LOCATION ONLY. REFER TO SPECIFIC MARK ELEVATIONS FOR SIZE REFERENCE DIMENSIONING, MULLION SPACING, ETC.

FLOOR PLAN - LEVEL 2 - AREA C

NTS

ARCH. REF.: A-102C

KEY PLAN

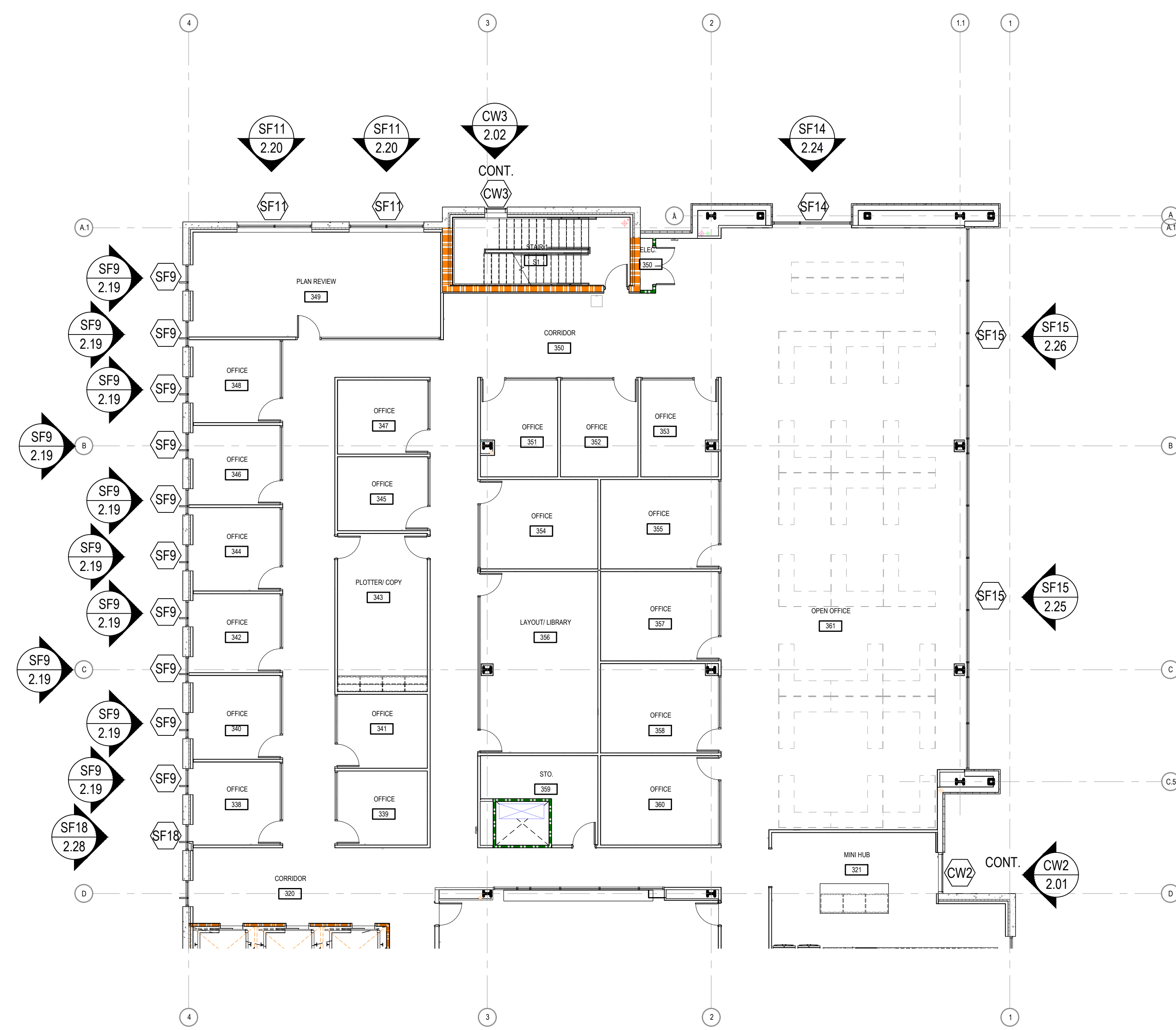


1ST SUBMISSION	4.22.21
1ST REVISION	7.14.21
2ND REVISION (ENGINEERING)	7.20.21
DATE	
DRAWING SUBMISSION	

GLASS TECH COMMERCIAL GLAZING SERVICES, INC.
 850 WEST STAR STREET
 GREENVILLE, NC 27834
 P: 252.355.9195

PROJECT: NEW HANOVER COUNTY GOVERNMENT CENTER
 LOCATION: 230 GOVERNMENT CENTER DRIVE WILMINGTON, NC 28403
 ARCHITECT: LS3P ASSOCIATES LTD.
 CUSTOMER: GLASS TECH COMMERCIAL GLAZING SERVICES

DRAWN BY:	DATE:
DJ	4.22.21
CHECKED BY:	DATE:
WH	4.22.21

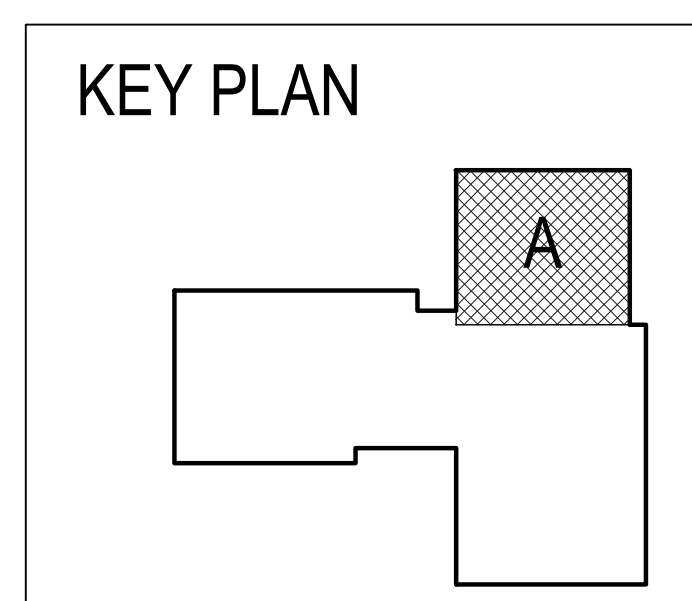


ARCH / G.C. NOTE:

FLOOR PLANS ARE PROVIDED FOR OPENING TYPE LOCATION ONLY. REFER TO SPECIFIC MARK ELEVATIONS FOR SIZE REFERENCE DIMENSIONING, MULLION SPACING, ETC.

FLOOR PLAN - LEVEL 3 - AREA A

NTS ARCH. REF.: A-103A



1ST SUBMISSION	4.22.21
1ST REVISION	7.14.21
2ND REVISION (ENGINEERING)	7.20.21
DATE	
DRAWING SUBMISSION	

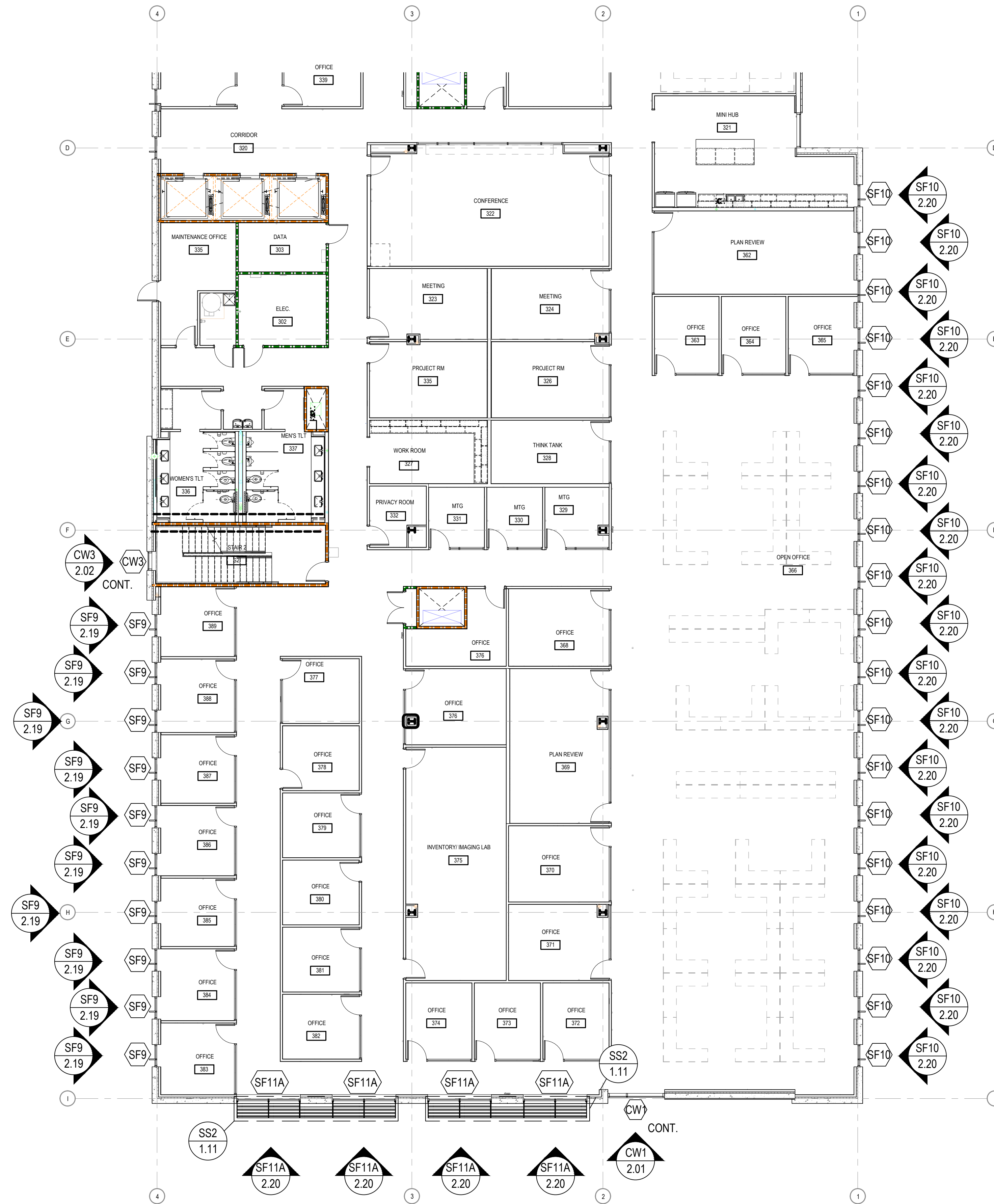
GLASS TECH COMMERCIAL GLAZING SERVICES, INC.
 850 WEST STAR STREET
 GREENVILLE, NC 27834
 P: 252.355.9195

PROJECT: NEW HANOVER COUNTY GOVERNMENT CENTER
 LOCATION: 230 GOVERNMENT CENTER DRIVE WILMINGTON, NC 28403
 ARCHITECT: LS3P ASSOCIATES LTD.
 CUSTOMER: GLASS TECH COMMERCIAL GLAZING SERVICES

DRAWN BY:	DATE:
DJ	4.22.21
CHECKED BY:	DATE:
WH	4.22.21

ARCH / G.C. NOTE:

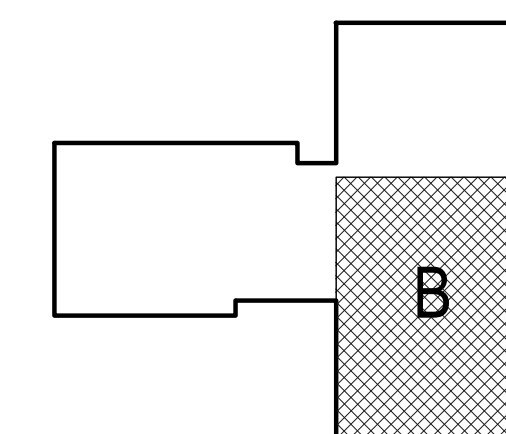
FLOOR PLANS ARE PROVIDED FOR OPENING TYPE LOCATION ONLY. REFER TO SPECIFIC MARK ELEVATIONS FOR SIZE REFERENCE DIMENSIONING, MULLION SPACING, ETC.



FLOOR PLAN - LEVEL 3 - AREA B

NTS ARCH. REF.: A-103B

KEY PLAN



1ST SUBMISSION	4.22.21
1ST REVISION	7.14.21
2ND REVISION (ENGINEERING)	7.20.21
DATE	
DRAWING SUBMISSION	

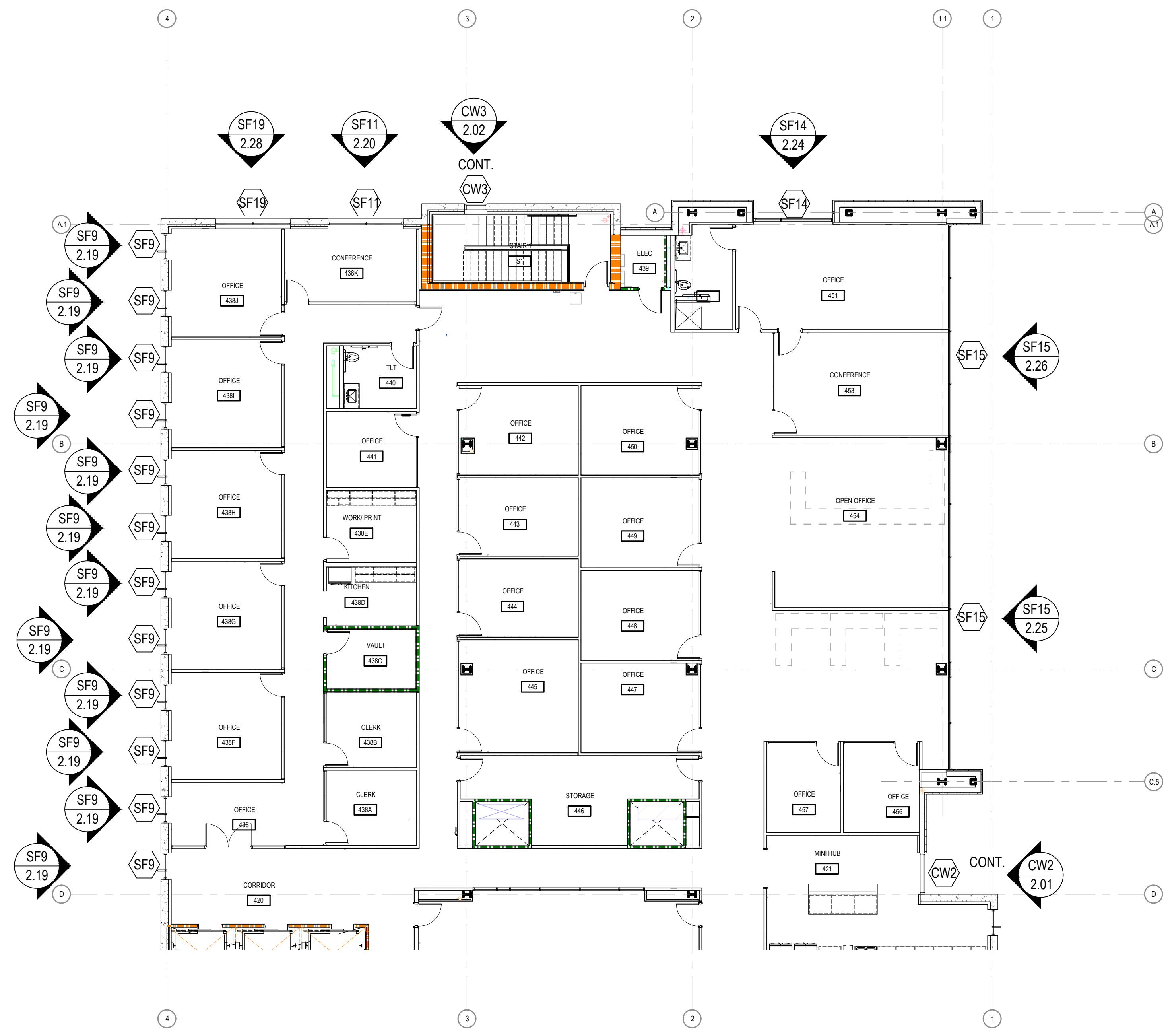
GLASS TECH COMMERCIAL GLAZING SERVICES, INC.
 850 WEST STAR STREET
 GREENVILLE, NC 27834
 P: 252.355.9195

PROJECT: NEW HANOVER COUNTY GOVERNMENT CENTER
 LOCATION: 230 GOVERNMENT CENTER DRIVE WILMINGTON, NC 28403
 ARCHITECT: LS3P ASSOCIATES LTD.
 CUSTOMER: GLASS TECH COMMERCIAL GLAZING SERVICES

DRAWN BY:	DATE:
DJ	4.22.21
CHECKED BY:	DATE:
WH	4.22.21

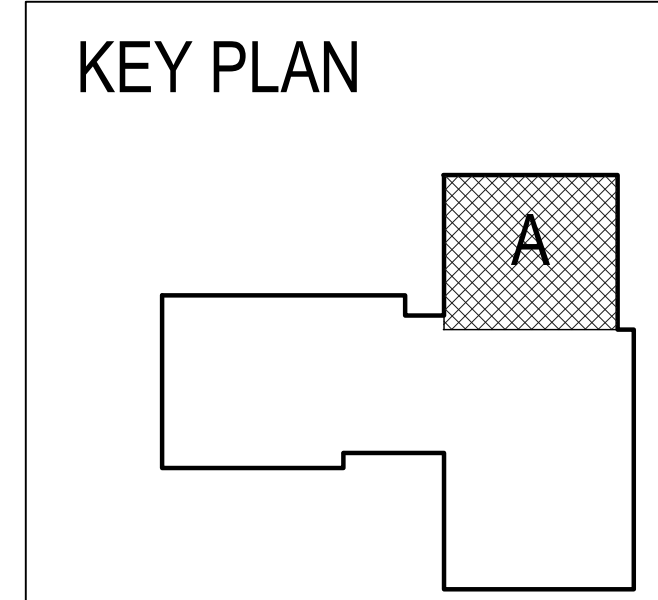
ARCH / G.C. NOTE:

FLOOR PLANS ARE PROVIDED FOR OPENING TYPE LOCATION ONLY. REFER TO SPECIFIC MARK ELEVATIONS FOR SIZE REFERENCE DIMENSIONING, MULLION SPACING, ETC.



FLOOR PLAN - LEVEL 4 - AREA A

NTS ARCH. REF.: A-104A



1ST SUBMISSION	4.22.21
1ST REVISION	7.14.21
2ND REVISION (ENGINEERING)	7.20.21
DATE	
DRAWING SUBMISSION	

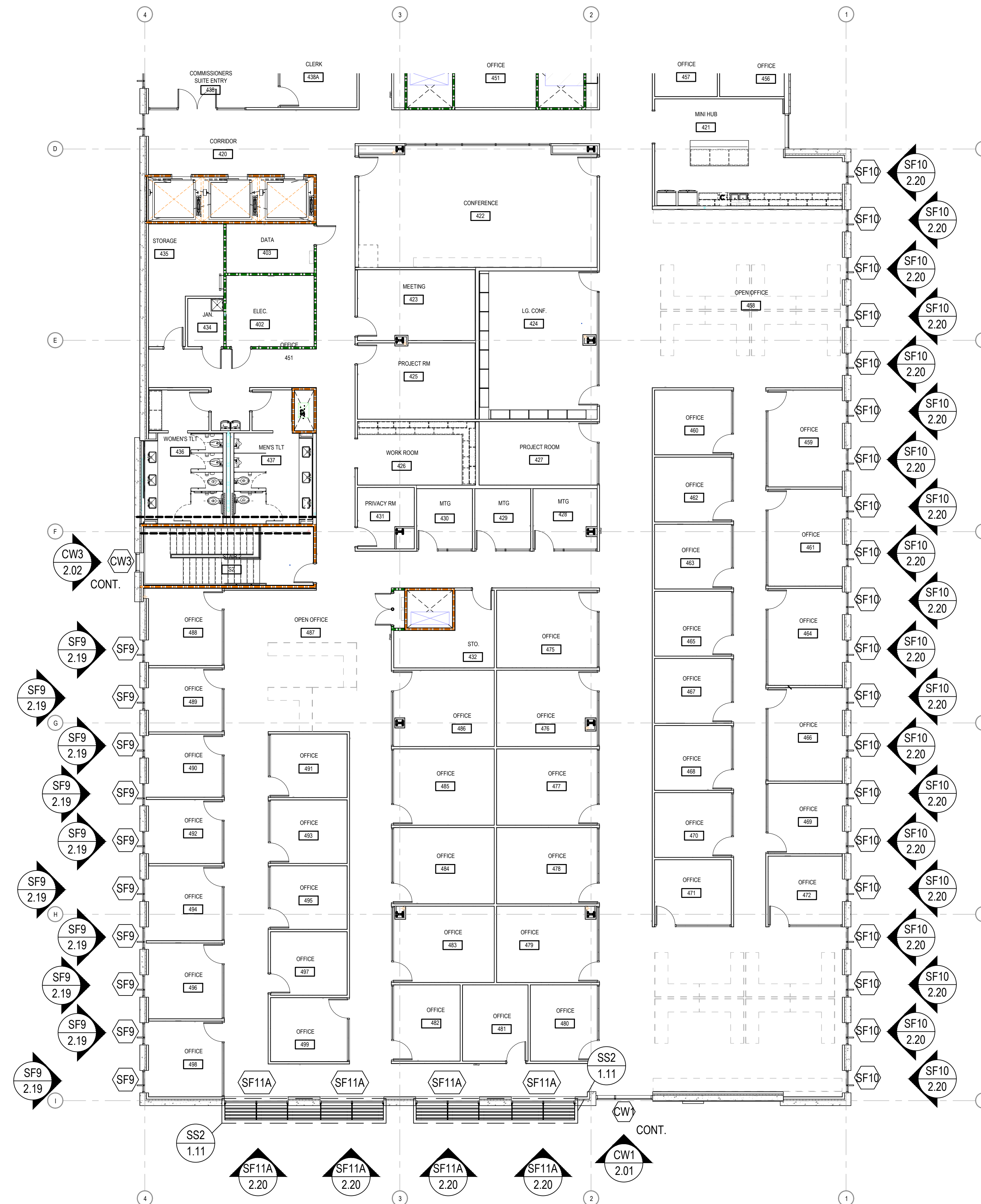
GLASS TECH COMMERCIAL GLAZING SERVICES, INC.
 850 WEST STAR STREET
 GREENVILLE, NC 27834
 P: 252.355.9195

PROJECT: NEW HANOVER COUNTY GOVERNMENT CENTER
 LOCATION: 230 GOVERNMENT CENTER DRIVE WILMINGTON, NC 28403
 ARCHITECT: LS3P ASSOCIATES LTD.
 CUSTOMER: GLASS TECH COMMERCIAL GLAZING SERVICES

DRAWN BY:	DATE:
DJ	4.22.21
CHECKED BY:	DATE:
WH	4.22.21

ARCH / G.C. NOTE:

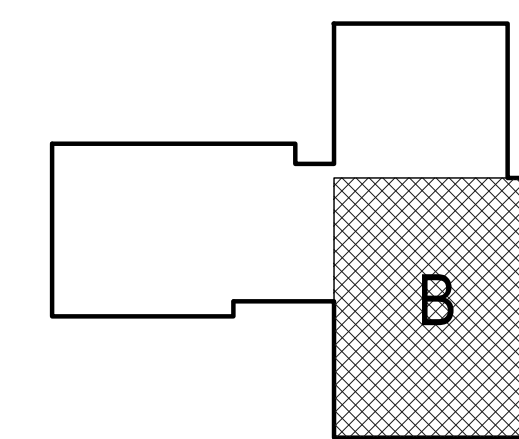
FLOOR PLANS ARE PROVIDED FOR OPENING TYPE LOCATION ONLY. REFER TO SPECIFIC MARK ELEVATIONS FOR SIZE REFERENCE DIMENSIONING, MULLION SPACING, ETC.



FLOOR PLAN - LEVEL 4 - AREA B

NTS ARCH. REF.: A-104B

KEY PLAN



1ST SUBMISSION	4.22.21
1ST REVISION	7.14.21
2ND REVISION (ENGINEERING)	7.20.21
DATE	
DRAWING SUBMISSION	

GLASS TECH COMMERCIAL GLAZING SERVICES, INC.
 850 WEST STAR STREET
 GREENVILLE, NC 27834
 P: 252.355.9195

PROJECT: NEW HANOVER COUNTY GOVERNMENT CENTER
 LOCATION: 230 GOVERNMENT CENTER DRIVE WILMINGTON, NC 28403
 ARCHITECT: LS3P ASSOCIATES LTD.
 CUSTOMER: GLASS TECH COMMERCIAL GLAZING SERVICES

DRAWN BY:	DATE:
DJ	4.22.21
CHECKED BY:	DATE:
WH	4.22.21

1.10

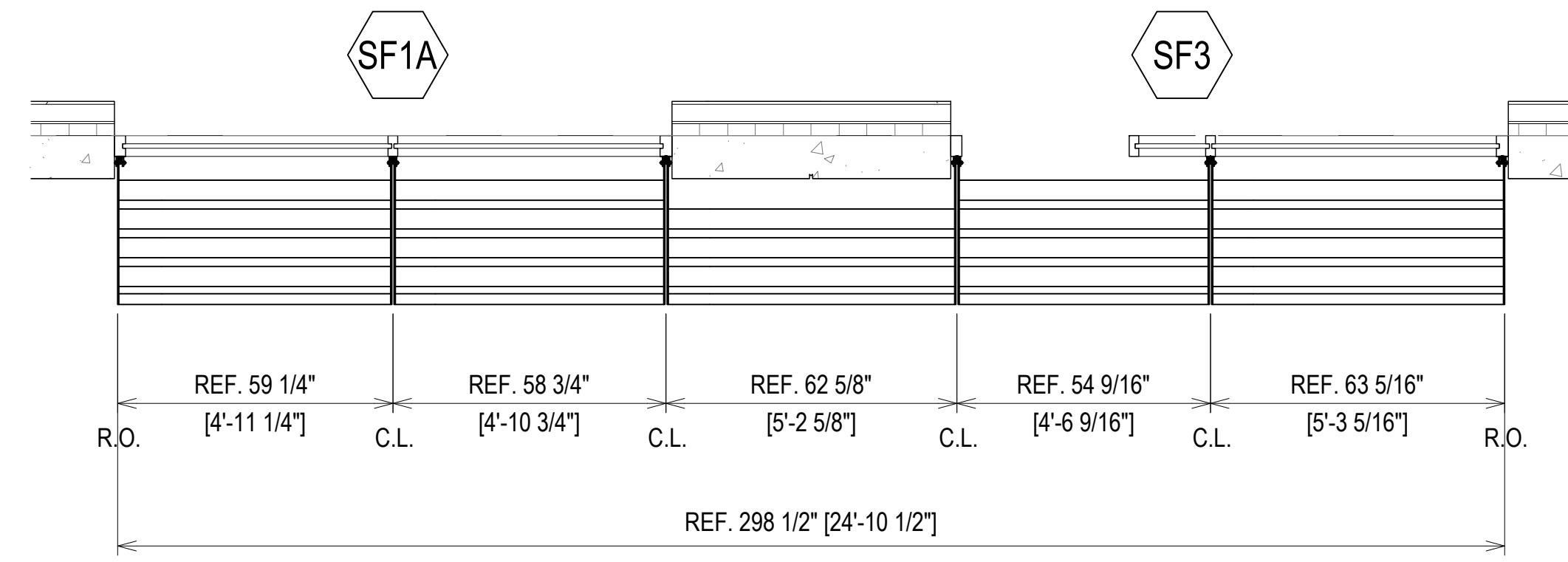
1ST SUBMISSION	4.22.21
1ST REVISION	7.14.21
2ND REVISION (ENGINEERING)	7.20.21
DATE	
DRAWING SUBMISSION	

GLASS TECH COMMERCIAL GLAZING SERVICES, INC.
 850 WEST STAR STREET
 GREENVILLE, NC 27834
 P: 252.355.9195

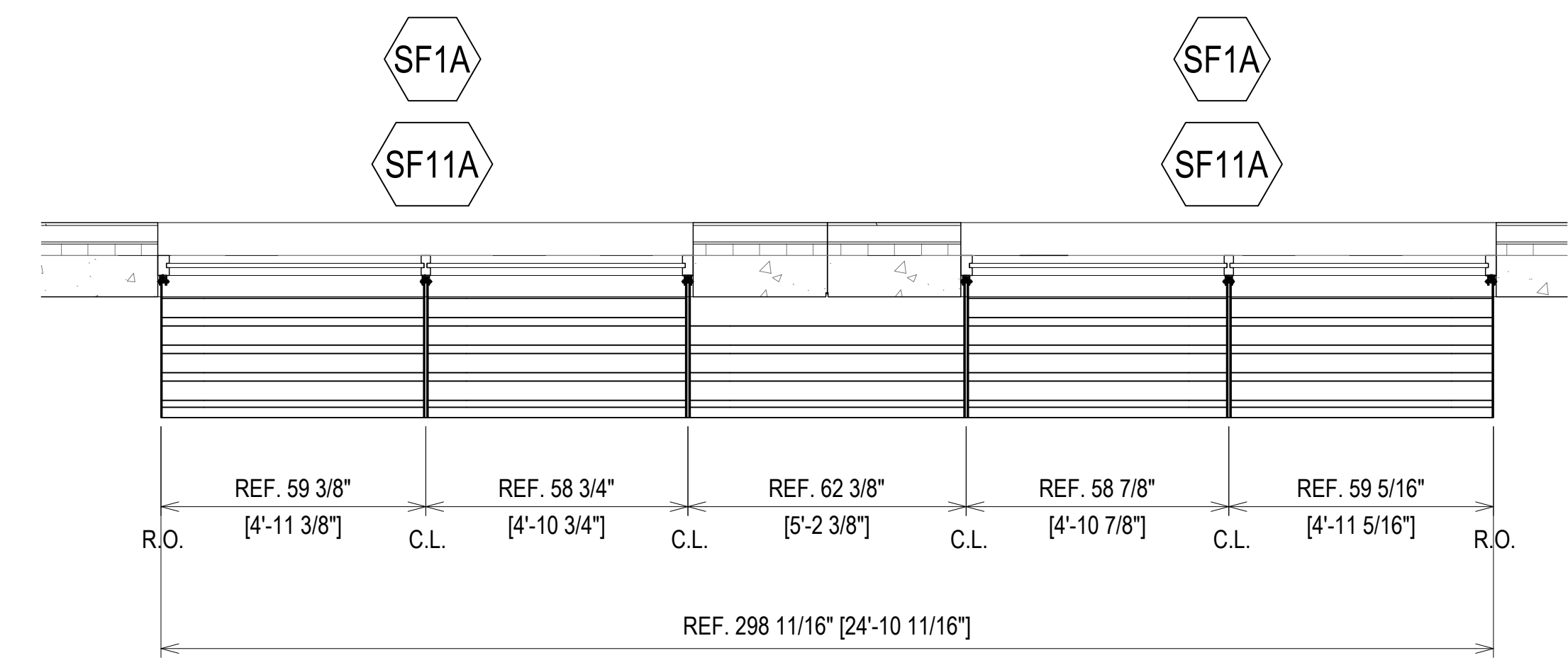
PROJECT: NEW HANOVER COUNTY
 GOVERNMENT CENTER
 LOCATION: 230 GOVERNMENT CENTER DRIVE
 WILMINGTON, NC 28403
 ARCHITECT: LS3P ASSOCIATES LTD.
 CUSTOMER: GLASS TECH COMMERCIAL GLAZING SERVICES

DRAWN BY:	DATE:
DJ	4.22.21
CHECKED BY:	DATE:
WH	4.22.21

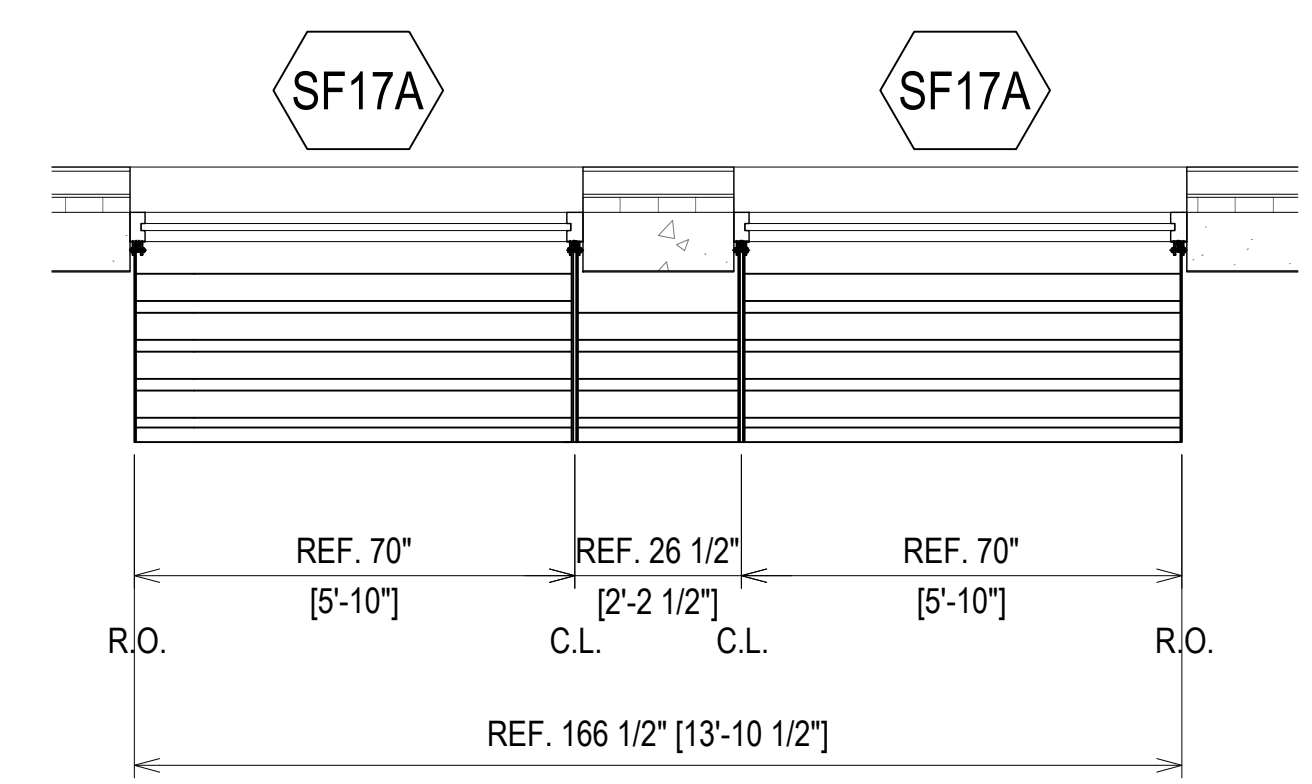
1.11



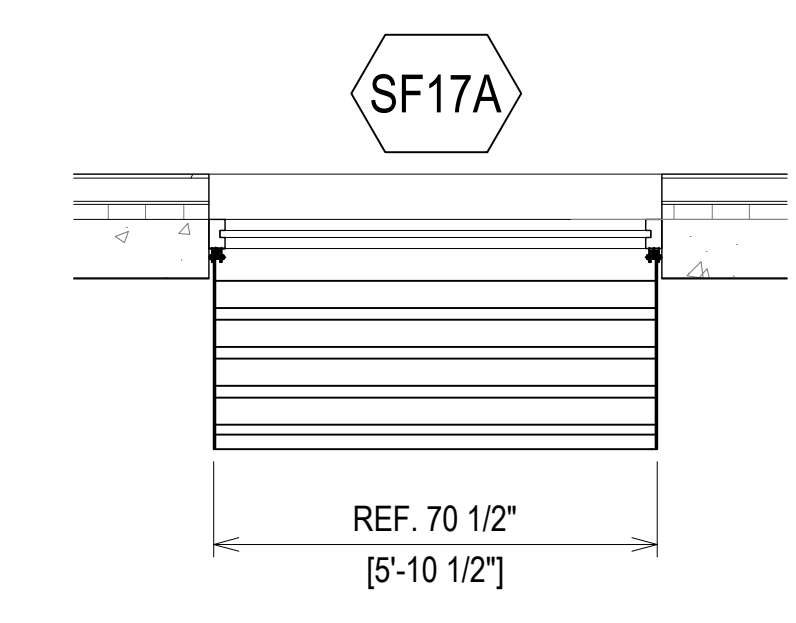
FLOOR PLAN **SS1**
 SCALE: 3/8" = 1'-0"
 YKK THERMASHADE - 30"
 HORIZONTAL SUNSHADE
 QUANTITY: 1



FLOOR PLAN **SS2**
 SCALE: 3/8" = 1'-0"
 YKK THERMASHADE - 30"
 HORIZONTAL SUNSHADE
 QUANTITY: 7



FLOOR PLAN **SS3**
 SCALE: 3/8" = 1'-0"
 YKK THERMASHADE - 30"
 HORIZONTAL SUNSHADE
 QUANTITY: 2



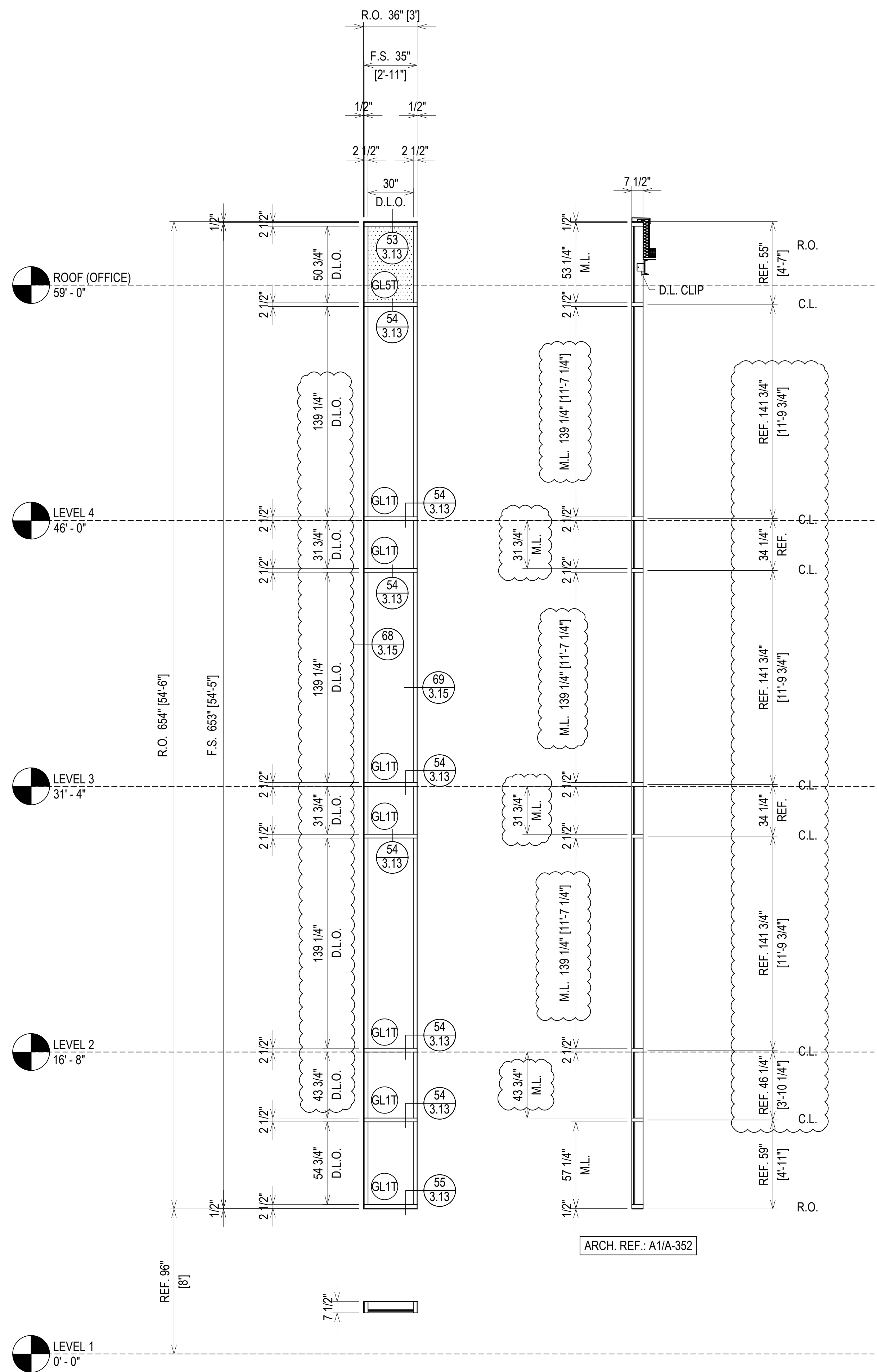
FLOOR PLAN **SS4**
 SCALE: 3/8" = 1'-0"
 YKK THERMASHADE - 30"
 HORIZONTAL SUNSHADE
 QUANTITY: 1

ARCH / G.C. NOTE:

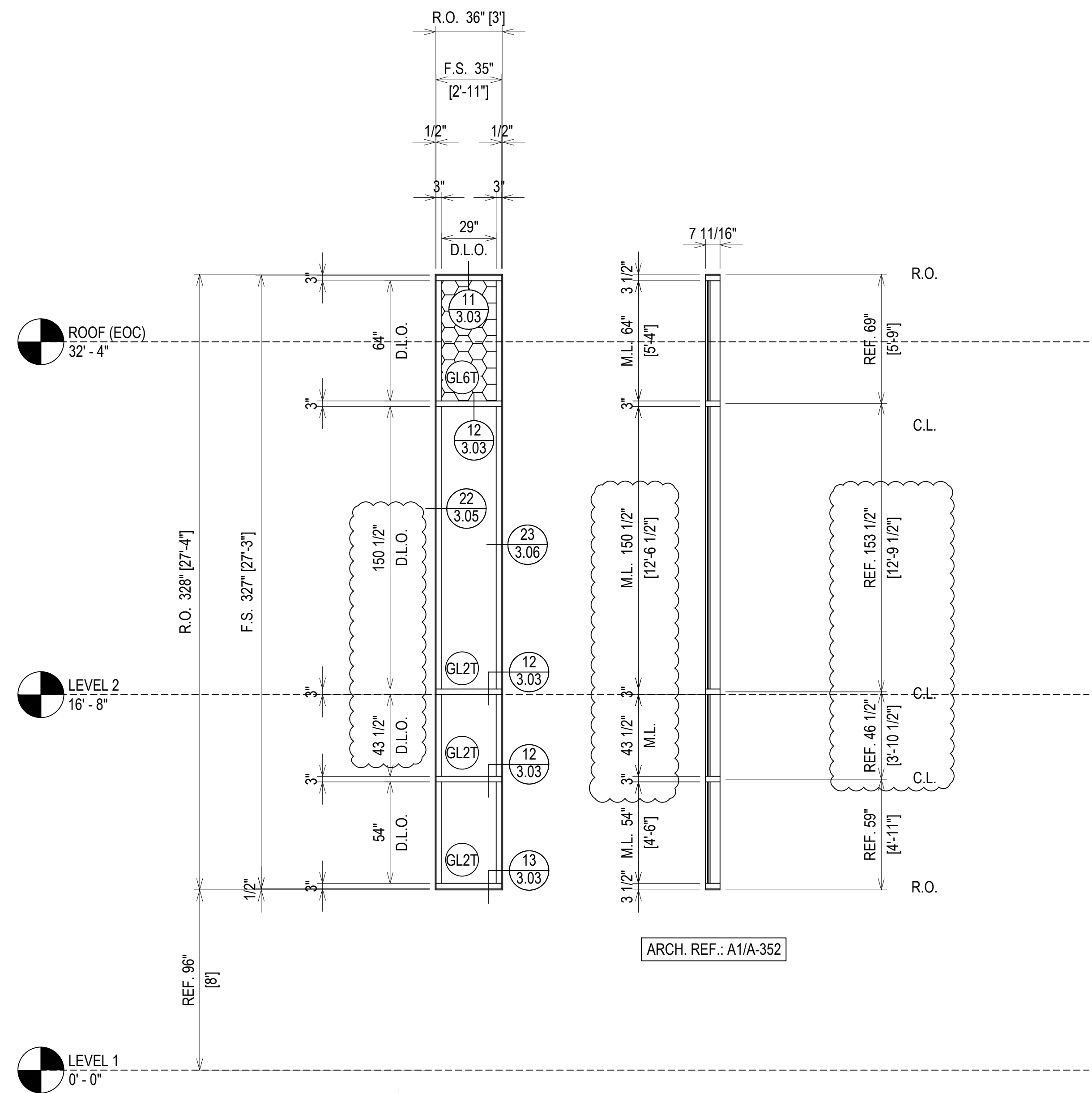
FLOOR PLANS ARE PROVIDED FOR OPENING TYPE LOCATION ONLY. REFER TO SPECIFIC MARK ELEVATIONS FOR SIZE REFERENCE DIMENSIONING, MULLION SPACING, ETC.

SUNSHADE LAYOUTS

NTS ARCH. REF.: N/A



ELEVATION CW3
 SCALE: 1/4" = 1'-0"
 YKK YCW 750 OG - 2 1/2" X 7 1/2"
 EXTERIOR CURTAIN WALL
 1" INSULATED GLASS (FRONT SET)
 QUANTITY: 2



ELEVATION CW4
 SCALE: 1/4" = 1'-0"
 YKK YHC 300 OG - 3" X 7 11/16"
 EXTERIOR CURTAIN WALL
 1 5/16" INSULATED GLASS (FRONT SET)
 QUANTITY: 1

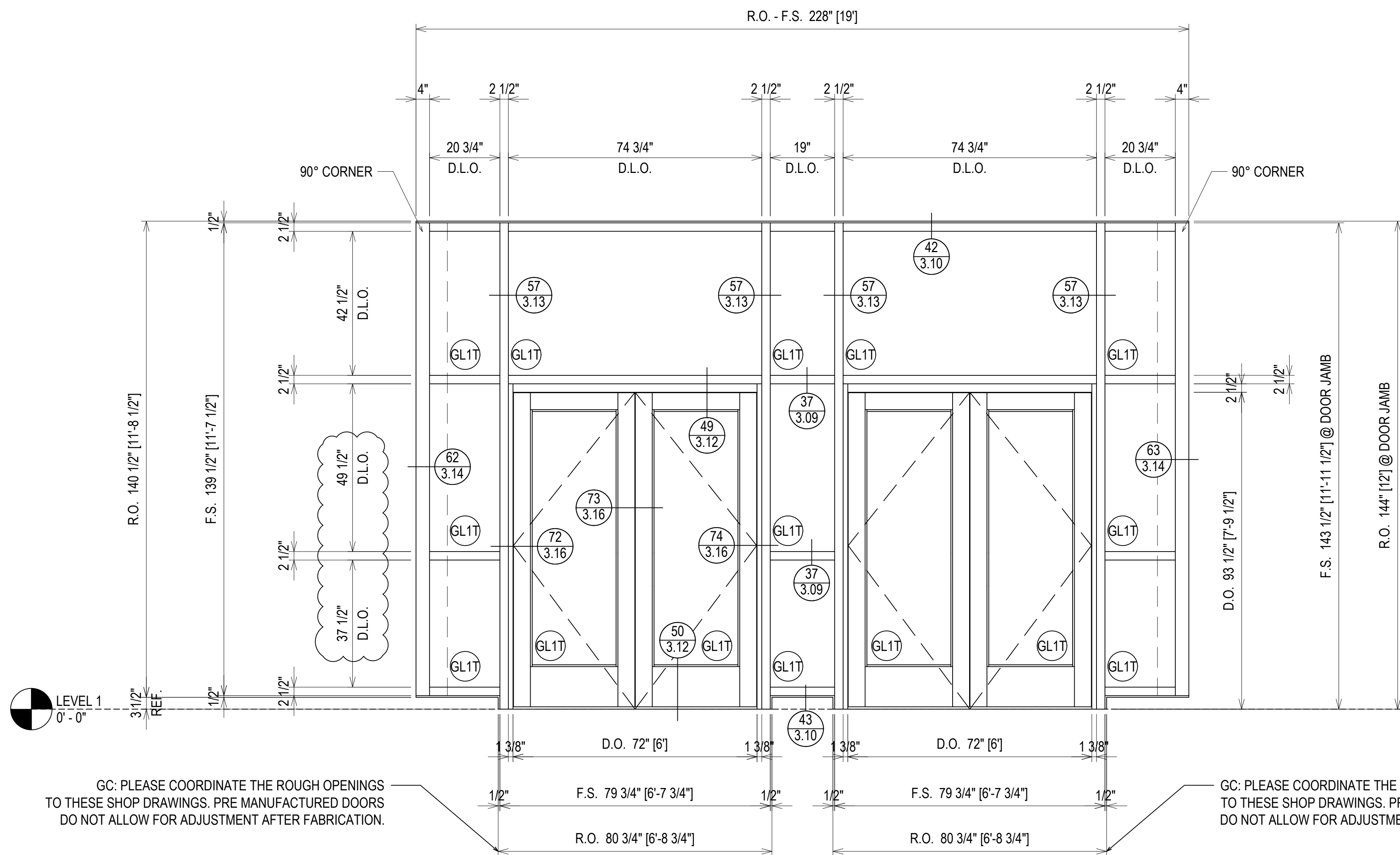
1ST SUBMISSION	4.22.21
1ST REVISION	7.14.21
2ND REVISION (ENGINEERING)	7.20.21
NO	DESCRIPTION
NO	DATE
DRAWING SUBMISSION	

GLASS TECH COMMERCIAL GLAZING SERVICES, INC.
 850 WEST STAR STREET
 GREENVILLE, NC 27834
 P: 252.355.9195

PROJECT: NEW HANOVER COUNTY GOVERNMENT CENTER
 LOCATION: 230 GOVERNMENT CENTER DRIVE WILMINGTON, NC 28403
 ARCHITECT: LS3P ASSOCIATES LTD.
 CUSTOMER: GLASS TECH COMMERCIAL GLAZING SERVICES

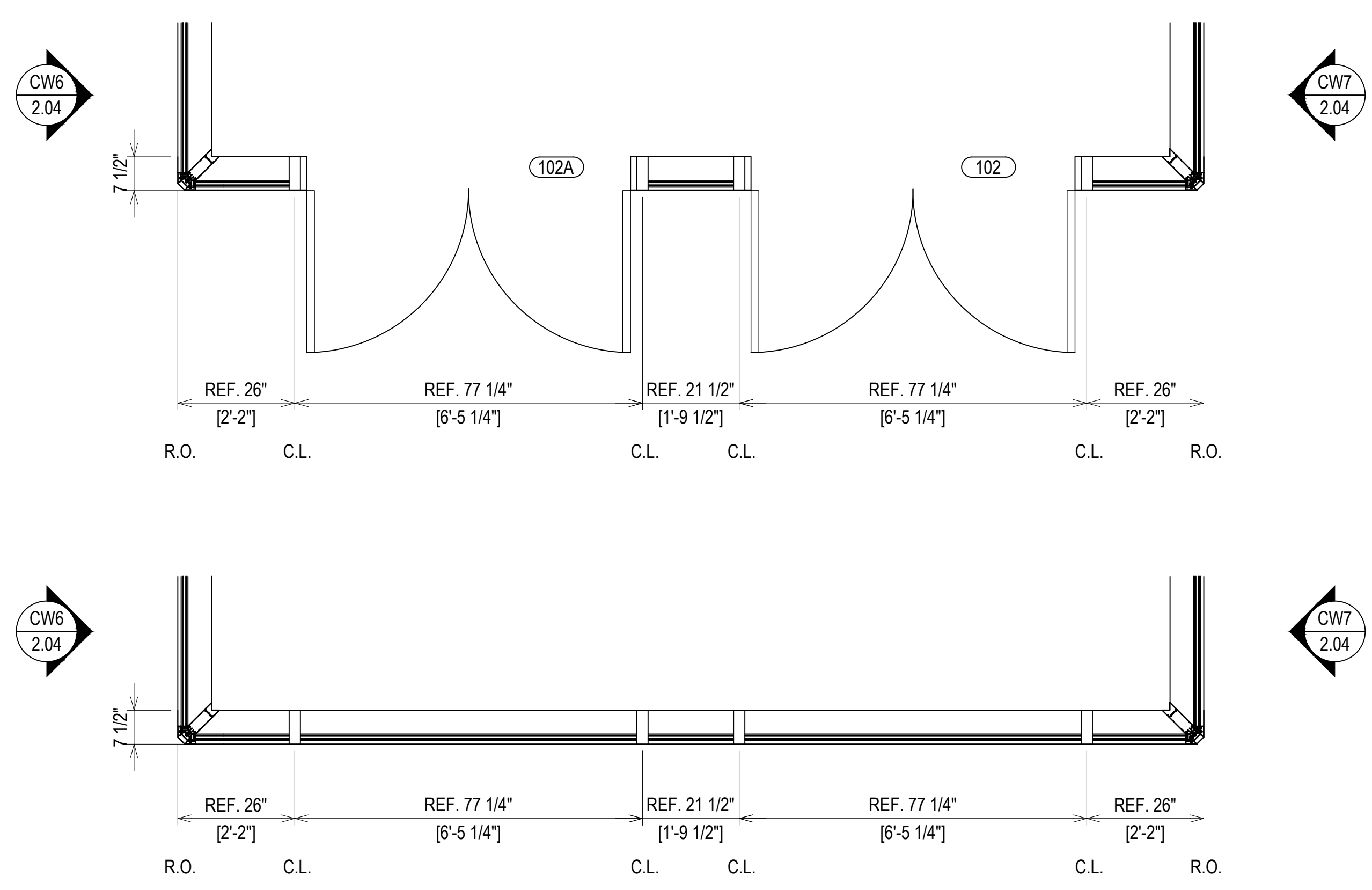
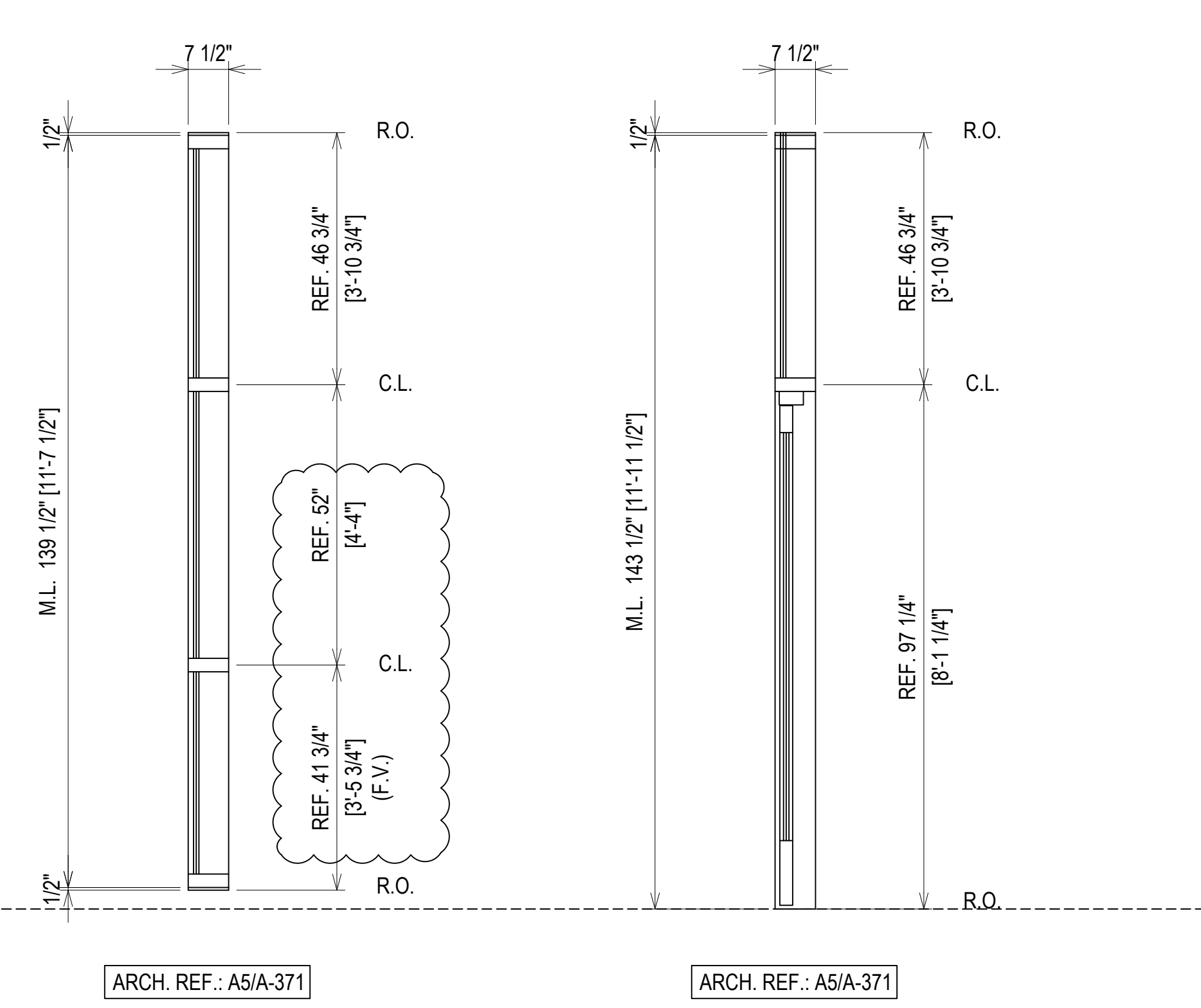
DRAWN BY: DJ	DATE: 4.22.21
CHECKED BY: WH	DATE: 4.22.21

ERECTOR / G.C. NOTE:
 PLEASE FIELD VERIFY ALL DIMENSIONS



GC: PLEASE COORDINATE THE ROUGH OPENINGS TO THESE SHOP DRAWINGS. PRE MANUFACTURED DOORS DO NOT ALLOW FOR ADJUSTMENT AFTER FABRICATION.

GC: PLEASE COORDINATE THE ROUGH OPENINGS TO THESE SHOP DRAWINGS. PRE MANUFACTURED DOORS DO NOT ALLOW FOR ADJUSTMENT AFTER FABRICATION.

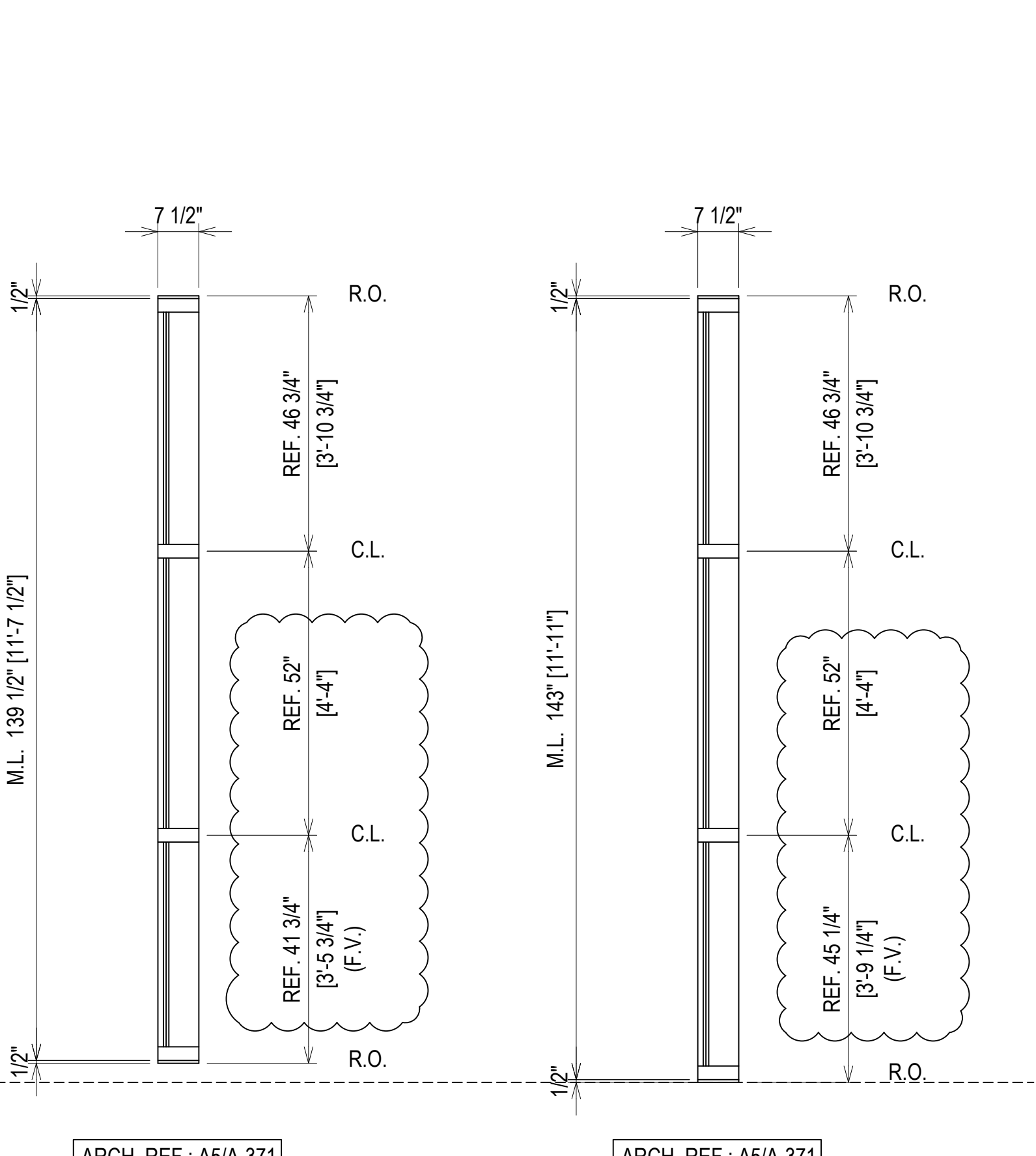
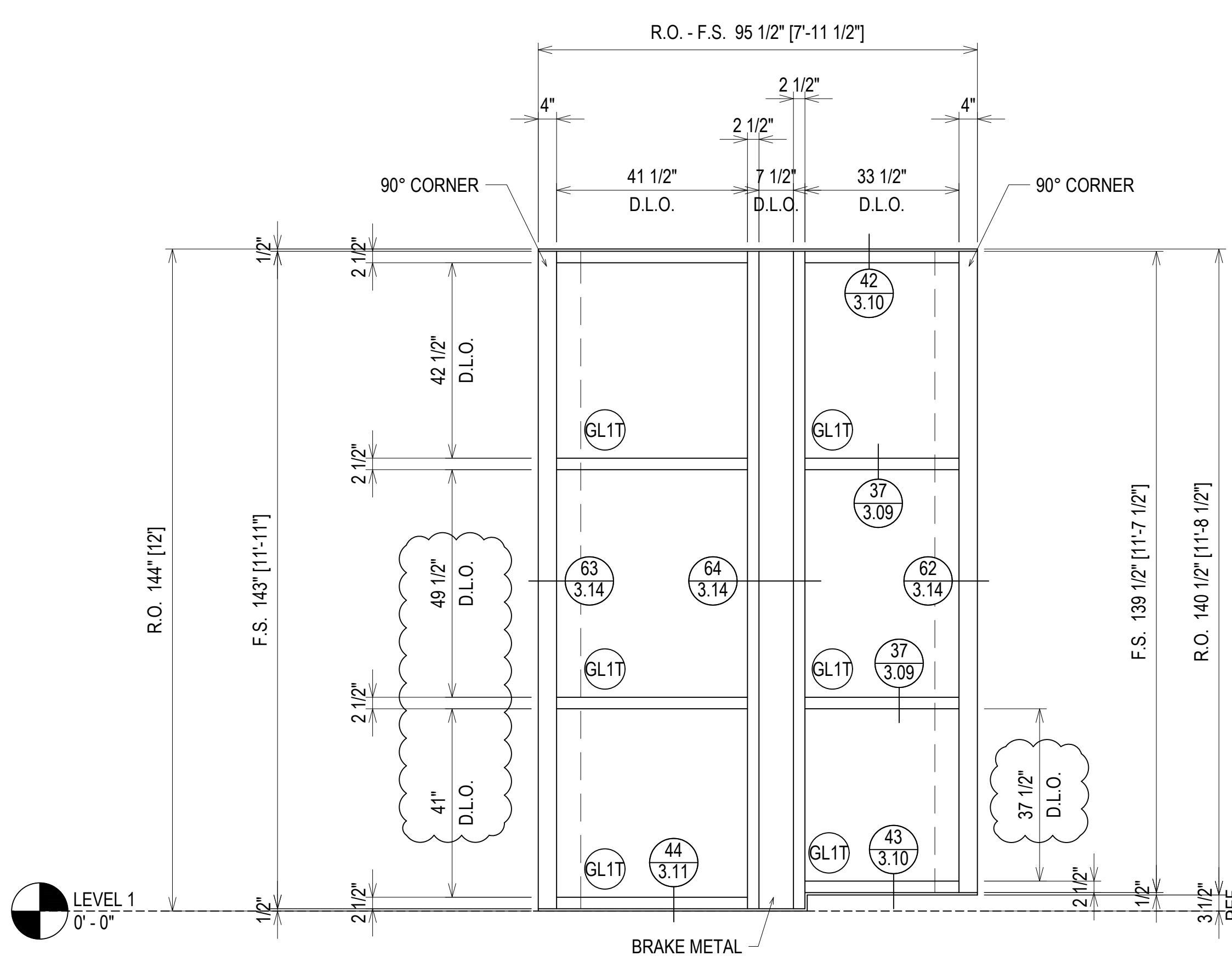


ELEVATION CW5
 SCALE: 1/2" = 1'-0"
 YKK YCW 750 OG - 2 1/2" X 7 1/2"
 EXTERIOR CURTAIN WALL
 1" INSULATED GLASS (FRONT SET)
 QUANTITY: 1

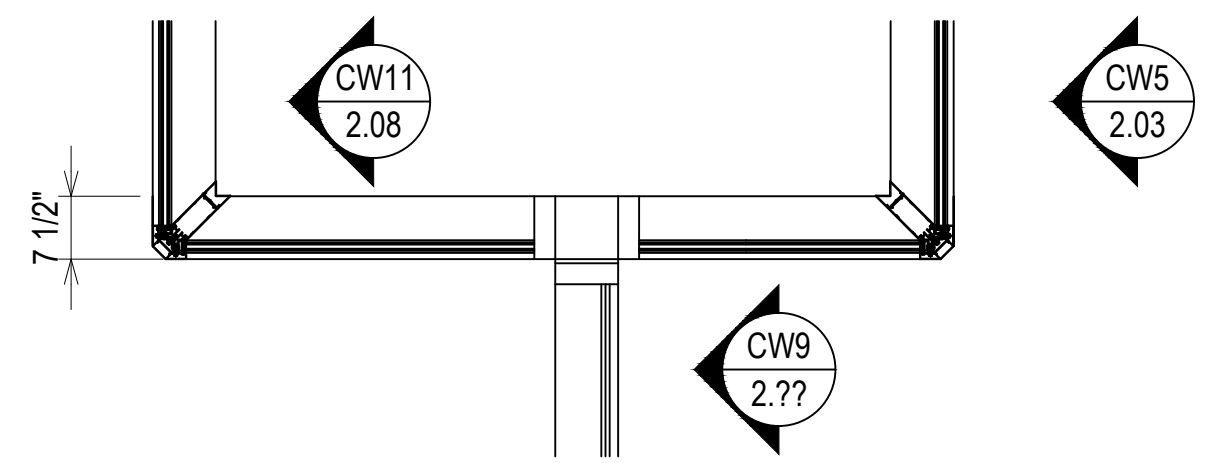
ERECTOR / G.C. NOTE:
 PLEASE FIELD VERIFY ALL DIMENSIONS

PROJECT:	NEW HANOVER COUNTY GOVERNMENT CENTER	DATE:	4.22.21
LOCATION:	230 GOVERNMENT CENTER DRIVE WILMINGTON, NC 28403	CHECKED BY:	WH
ARCHITECT:	LS3P ASSOCIATES LTD.	DATE:	4.22.21
CUSTOMER:	GLASS TECH COMMERCIAL GLAZING SERVICES	DESCRIPTION:	DRAWING SUBMISSION
		NO	
		1ST SUBMISSION	4.22.21
		1ST REVISION	7.14.21
		2ND REVISION (ENGINEERING)	7.20.21

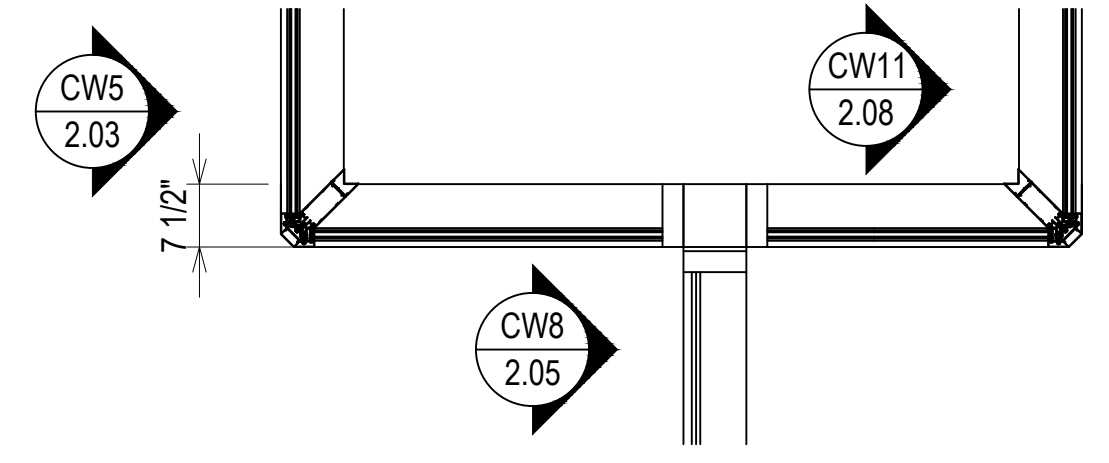
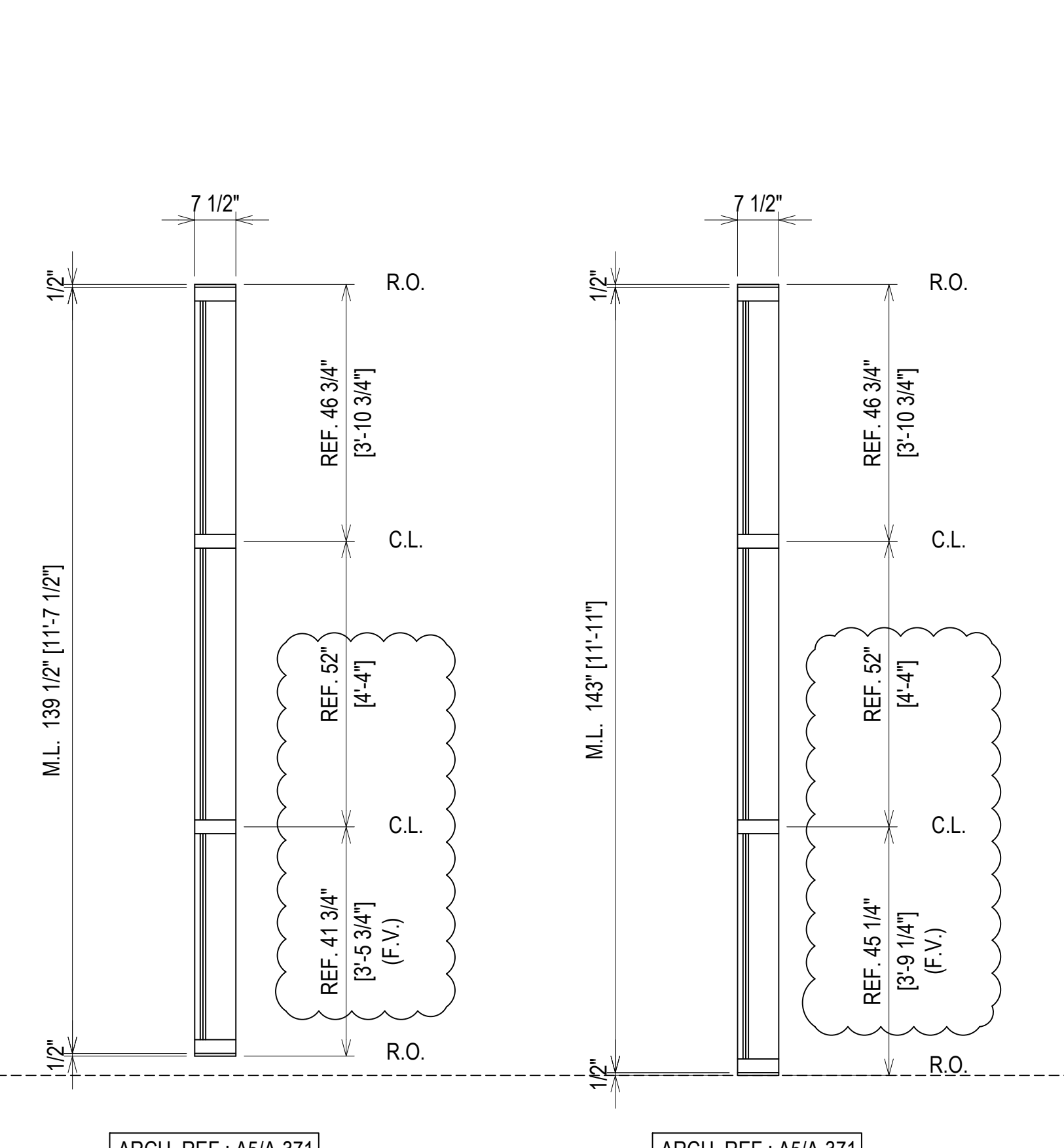
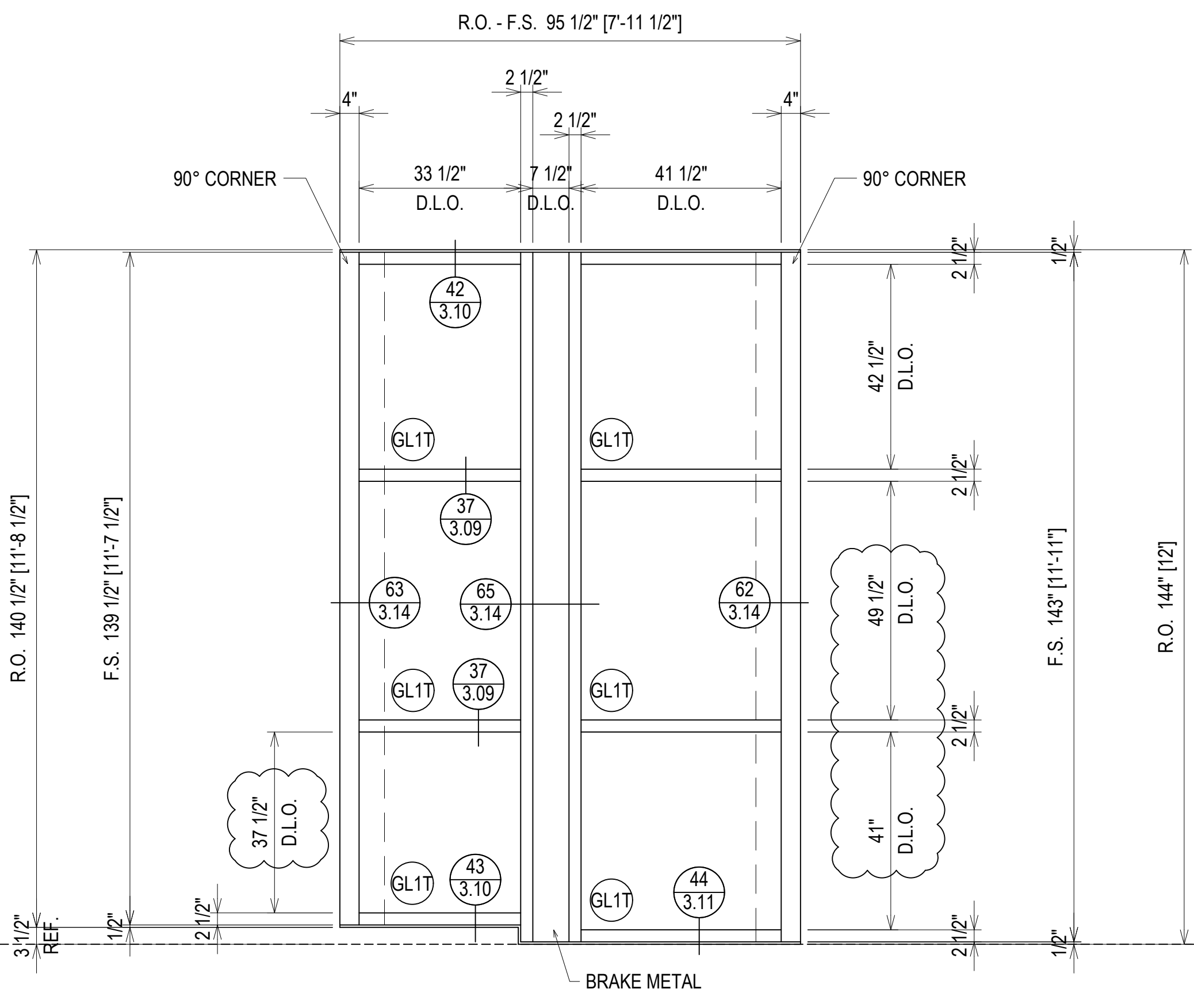
GLASS TECH COMMERCIAL GLAZING SERVICES, INC.
 850 WEST STAR STREET
 GREENVILLE, NC 27834
 P: 252.355.9195



ELEVATION CW6
 SCALE: 1/2" = 1'-0"
 YKK YCW 750 OG - 2 1/2" X 7 1/2"
 EXTERIOR CURTAIN WALL
 1" INSULATED GLASS (FRONT SET)
 QUANTITY: 1



ELEVATION CW7
 SCALE: 1/2" = 1'-0"
 YKK YCW 750 OG - 2 1/2" X 7 1/2"
 EXTERIOR CURTAIN WALL
 1" INSULATED GLASS (FRONT SET)
 QUANTITY: 1



ERECTOR / G.C. NOTE:
 PLEASE FIELD VERIFY ALL DIMENSIONS

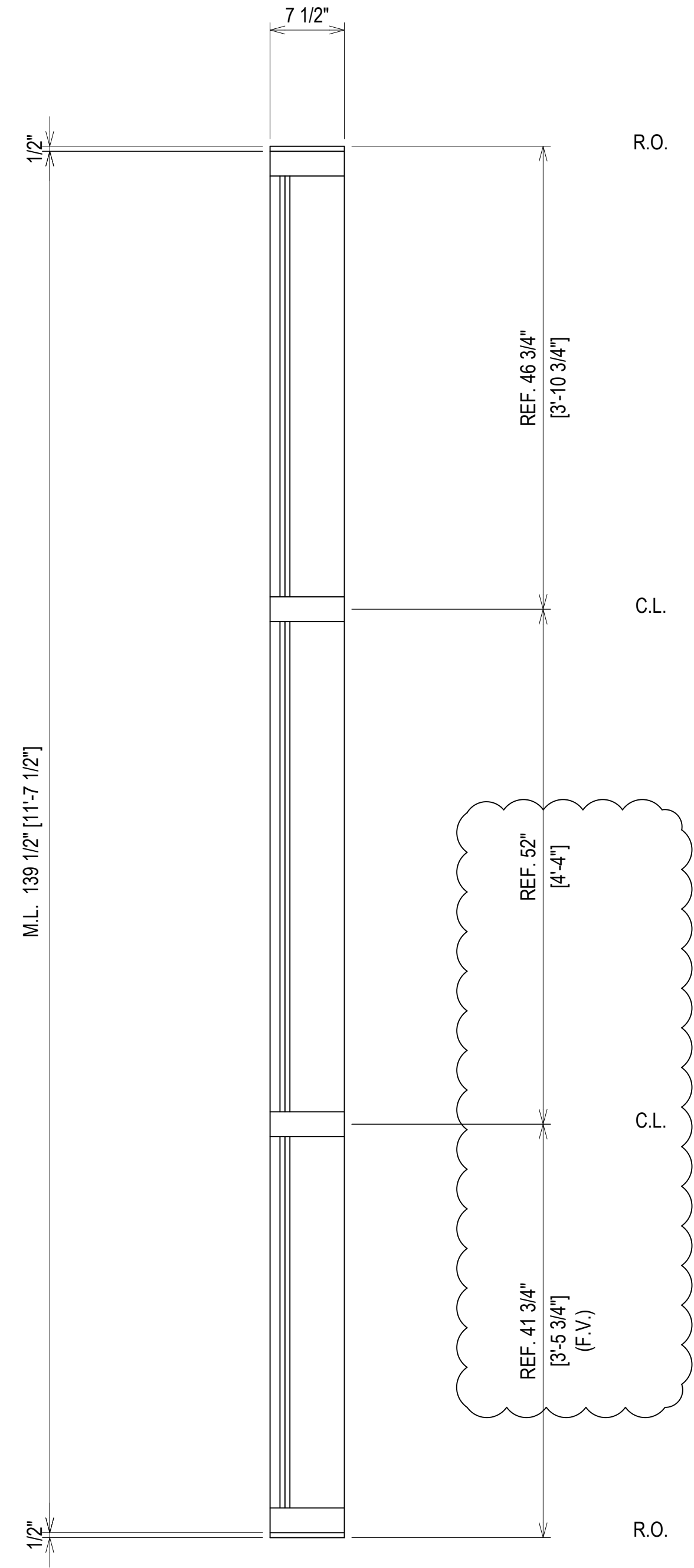
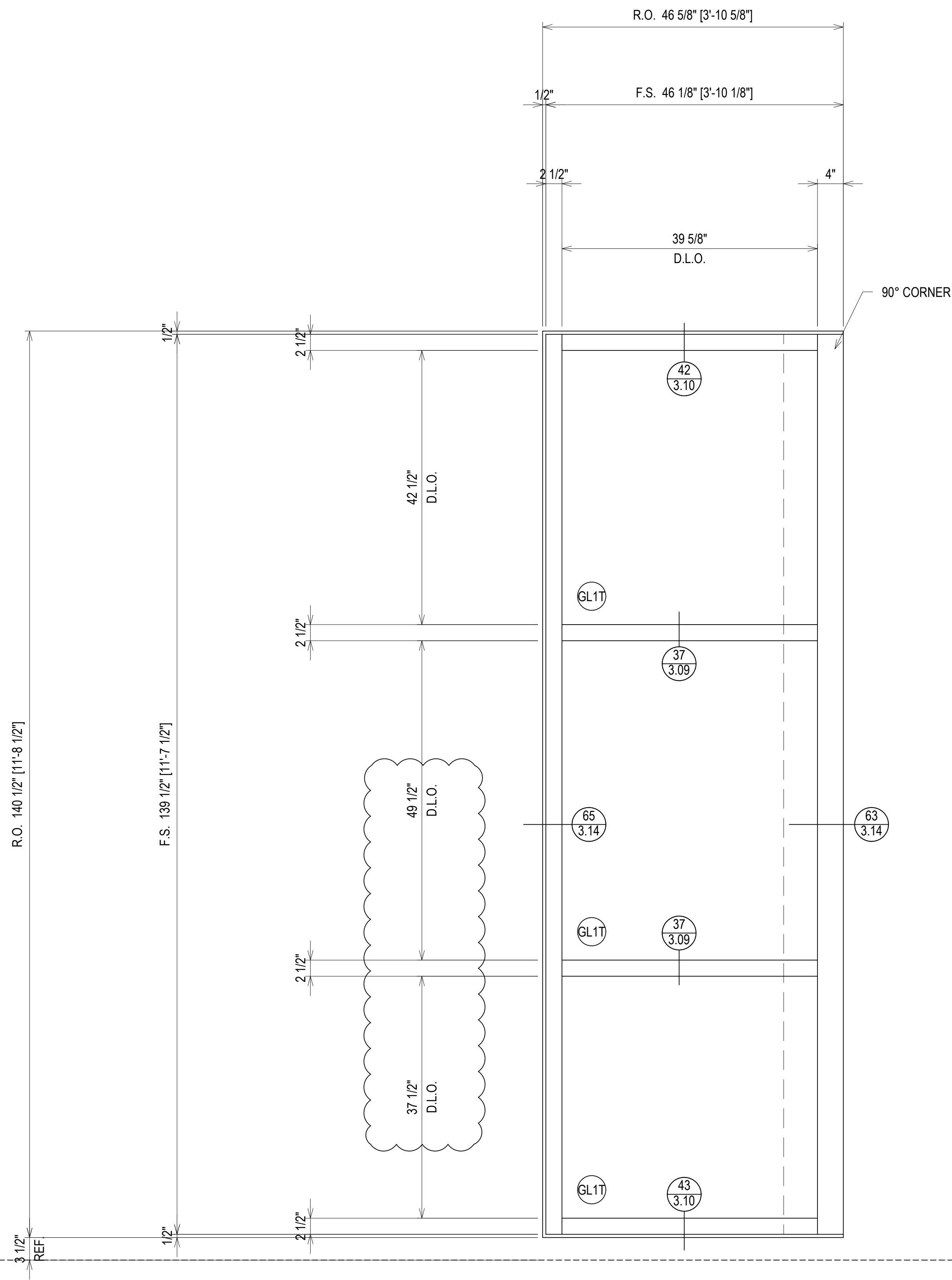
1ST SUBMISSION	4.22.21
1ST REVISION	7.14.21
2ND REVISION (ENGINEERING)	7.20.21
NO	
DESCRIPTION	
DRAWING SUBMISSION	DATE

GLASS TECH COMMERCIAL GLAZING SERVICES, INC.
 850 WEST STAR STREET
 GREENVILLE, NC 27834
 P: 252.355.9195

PROJECT: NEW HANOVER COUNTY GOVERNMENT CENTER
 LOCATION: 230 GOVERNMENT CENTER DRIVE WILMINGTON, NC 28403
 ARCHITECT: LS3P ASSOCIATES LTD.
 CUSTOMER: GLASS TECH COMMERCIAL GLAZING SERVICES

DRAWN BY: DJ	DATE: 4.22.21
CHECKED BY: WH	DATE: 4.22.21

2.04



CW10
2.07

ARCH. REF.: A5/A-371

ELEVATION CW8
SCALE: 1" = 1'-0"
YKK YCW 750 OG - 2 1/2" X 7 1/2"
EXTERIOR CURTAIN WALL
1" INSULATED GLASS (FRONT SET)
QUANTITY: 1

ERECTOR / G.C. NOTE:
PLEASE FIELD VERIFY ALL DIMENSIONS

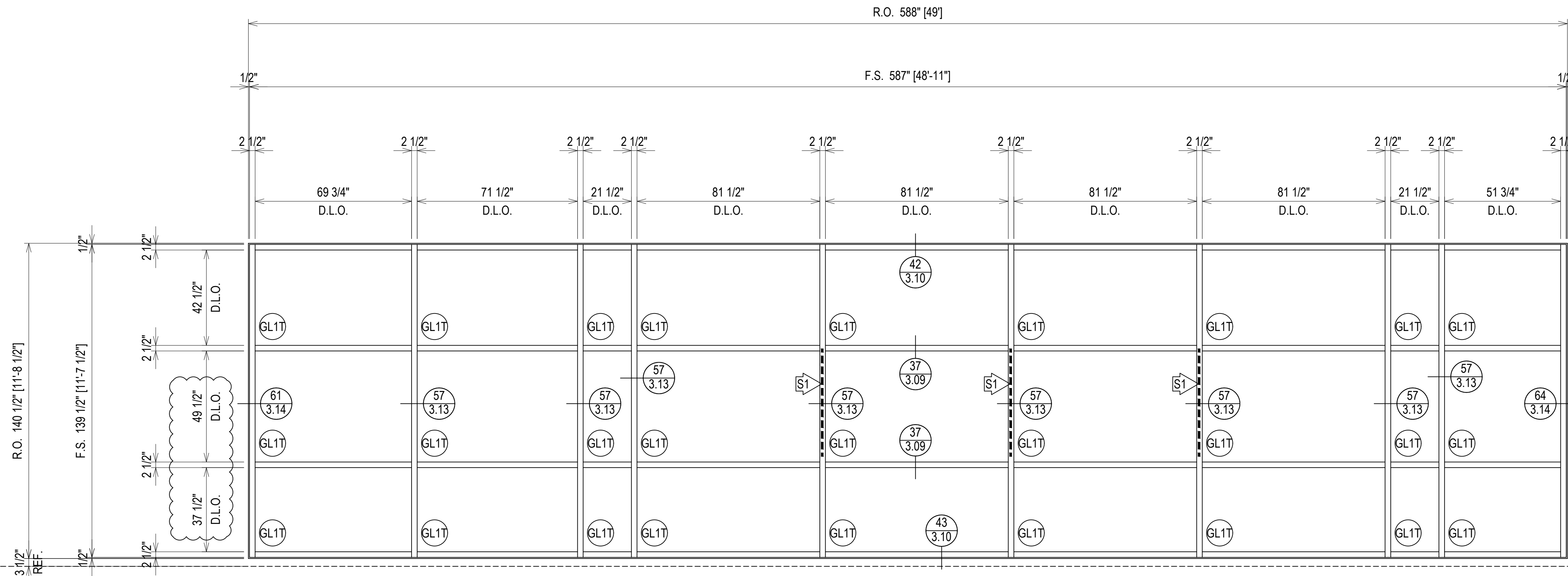
1ST SUBMISSION	4.22.21
1ST REVISION	7.14.21
2ND REVISION (ENGINEERING)	7.20.21
NO	DESCRIPTION
NO	DATE

GLASS TECH COMMERCIAL GLAZING SERVICES, INC.
850 WEST STAR STREET
GREENVILLE, NC 27834
P: 252.355.9195

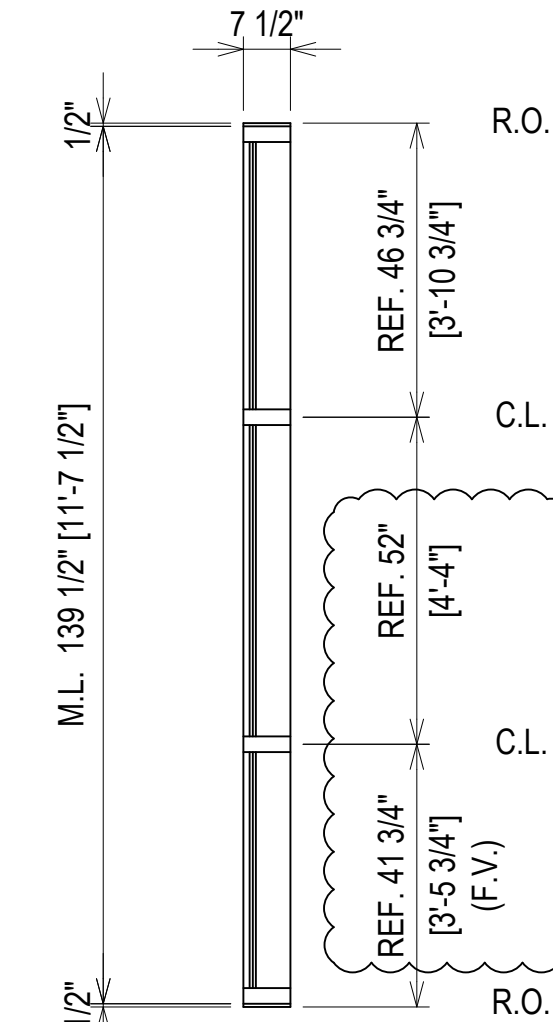
PROJECT: NEW HANOVER COUNTY
GOVERNMENT CENTER
LOCATION: 230 GOVERNMENT CENTER DRIVE
WILMINGTON, NC 28403
ARCHITECT: LS3P ASSOCIATES LTD.
CUSTOMER: GLASS TECH COMMERCIAL GLAZING SERVICES

DRAWN BY:	DATE:
DJ	4.22.21
CHECKED BY:	DATE:
WH	4.22.21

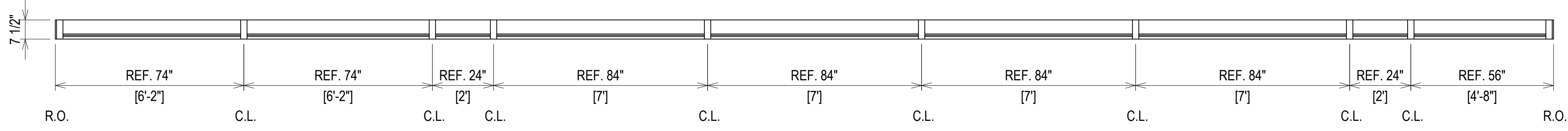
2.05



E9-1225 MULLION WITH E1-0187 STEEL (4'-0" LENGTH)
 LOCATED 45° TO 93° FROM THE BOTTOM OF THE MULLION



ARCH. REF.: A4/A-355



ELEVATION CW9
 SCALE: 3/8" = 1'-0"
 YKK YCW 750 OG - 2 1/2" X 7 1/2"
 EXTERIOR CURTAIN WALL
 1" INSULATED GLASS (FRONT SET)
 QUANTITY: 1

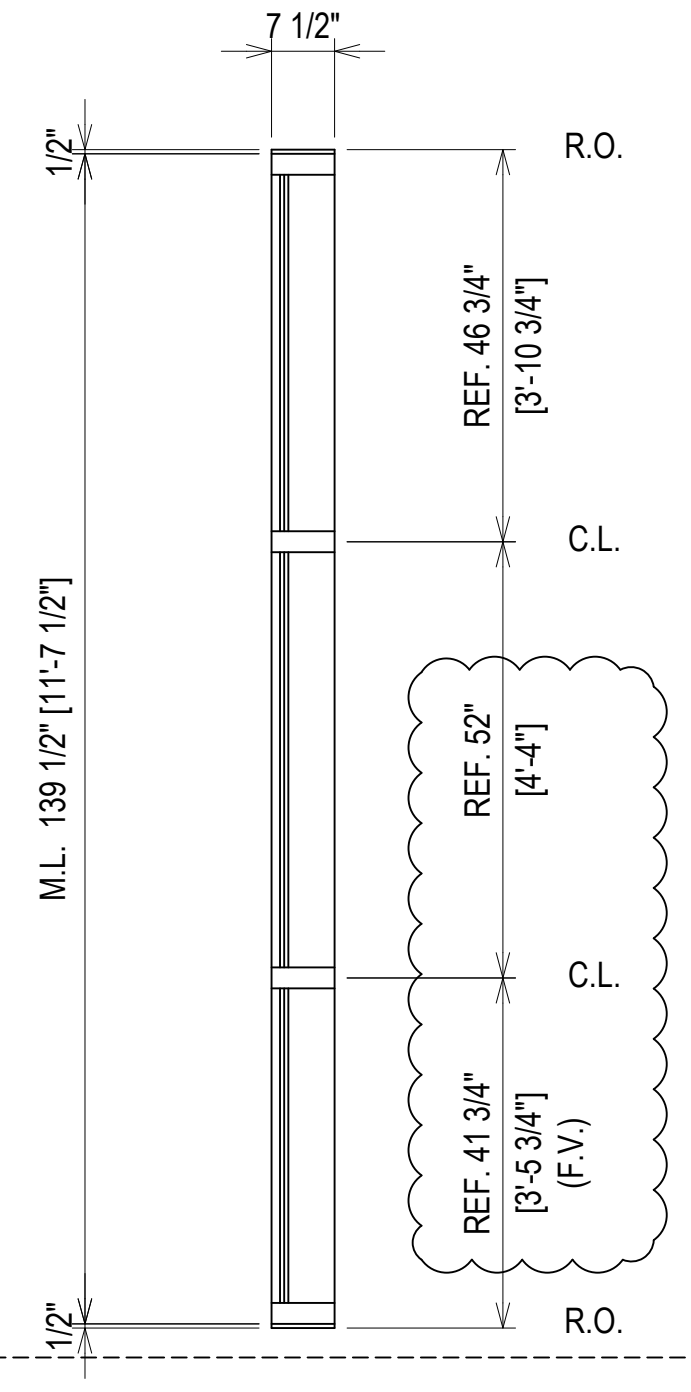
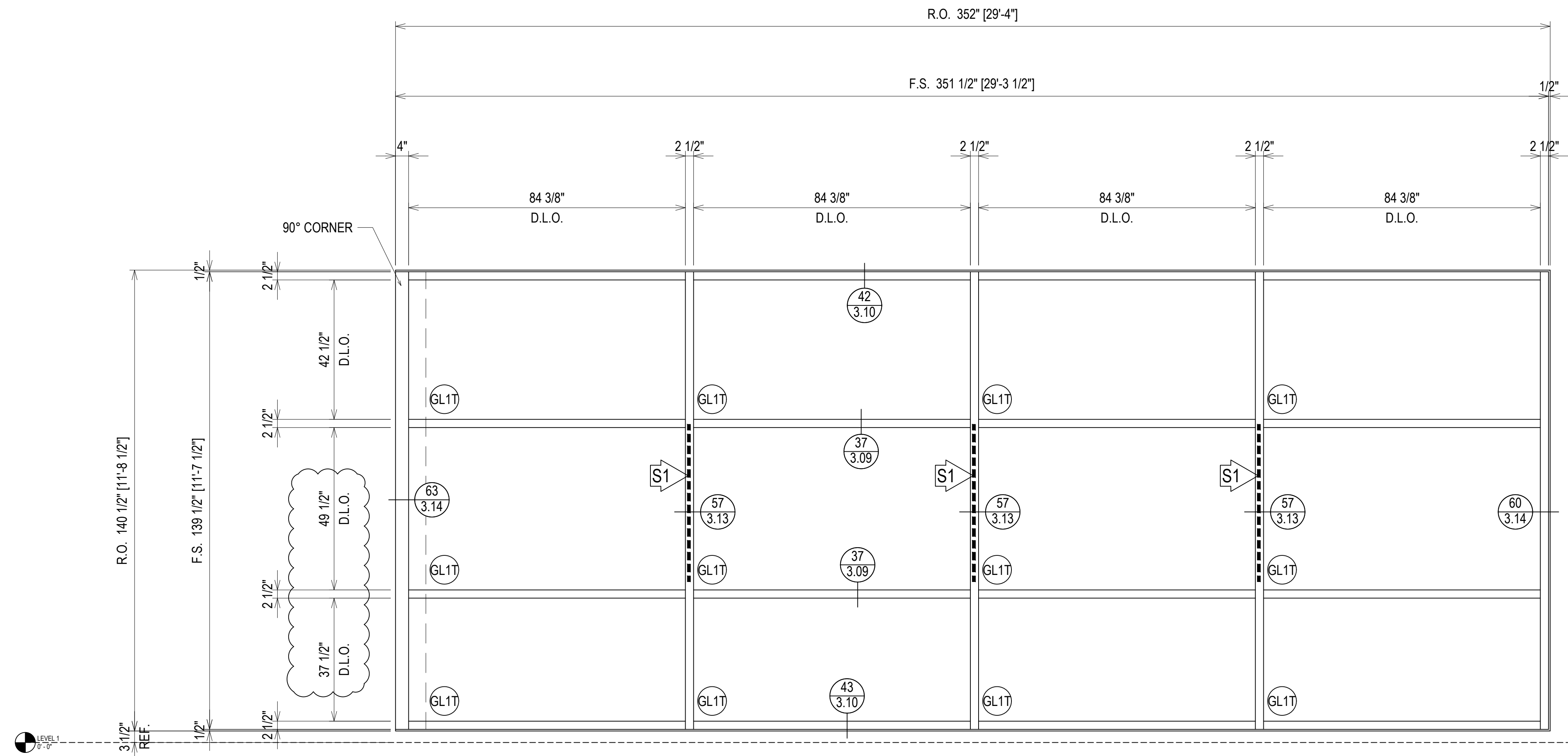
1ST SUBMISSION	4.22.21
1ST REVISION	7.14.21
2ND REVISION (ENGINEERING)	7.20.21
NO	DESCRIPTION
NO	DATE

GLASS TECH COMMERCIAL GLAZING SERVICES, INC.
 850 WEST STAR STREET
 GREENVILLE, NC 27834
 P: 252.355.9195

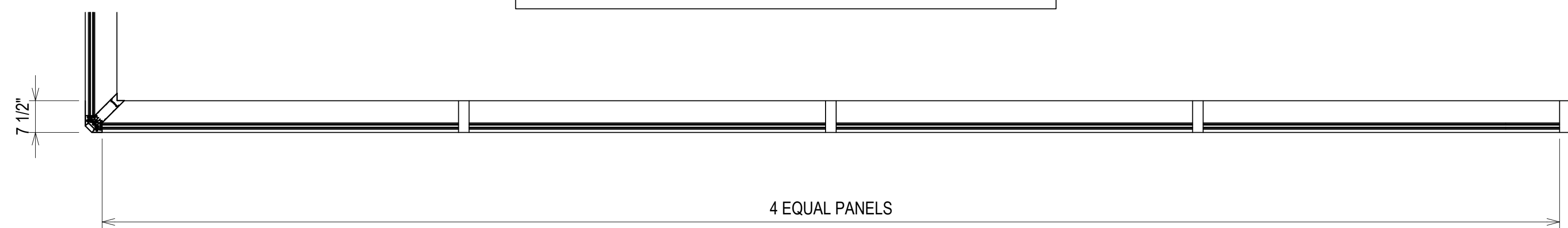
PROJECT: NEW HANOVER COUNTY
 GOVERNMENT CENTER
 LOCATION: 230 GOVERNMENT CENTER DRIVE
 WILMINGTON, NC 28403
 ARCHITECT: LS3P ASSOCIATES LTD.
 CUSTOMER: GLASS TECH COMMERCIAL GLAZING SERVICES

DRAWN BY:	DATE:
DJ	4.22.21
CHECKED BY:	DATE:
WH	4.22.21

ERECTOR / G.C. NOTE:
 PLEASE FIELD VERIFY ALL DIMENSIONS



CW8
2.05



S1 E9-1225 MULLION WITH E1-0187 STEEL (4'-0" LENGTH)
LOCATED 45" TO 93" FROM THE BOTTOM OF THE MULLION

ARCH. REF.: A1/A-355

ELEVATION CW10
SCALE: 1/2" = 1'-0"
YKK YCW 750 OG - 2 1/2" X 7 1/2"
EXTERIOR CURTAIN WALL
1" INSULATED GLASS (FRONT SET)
QUANTITY: 1

ERECTOR / G.C. NOTE:
PLEASE FIELD VERIFY ALL DIMENSIONS

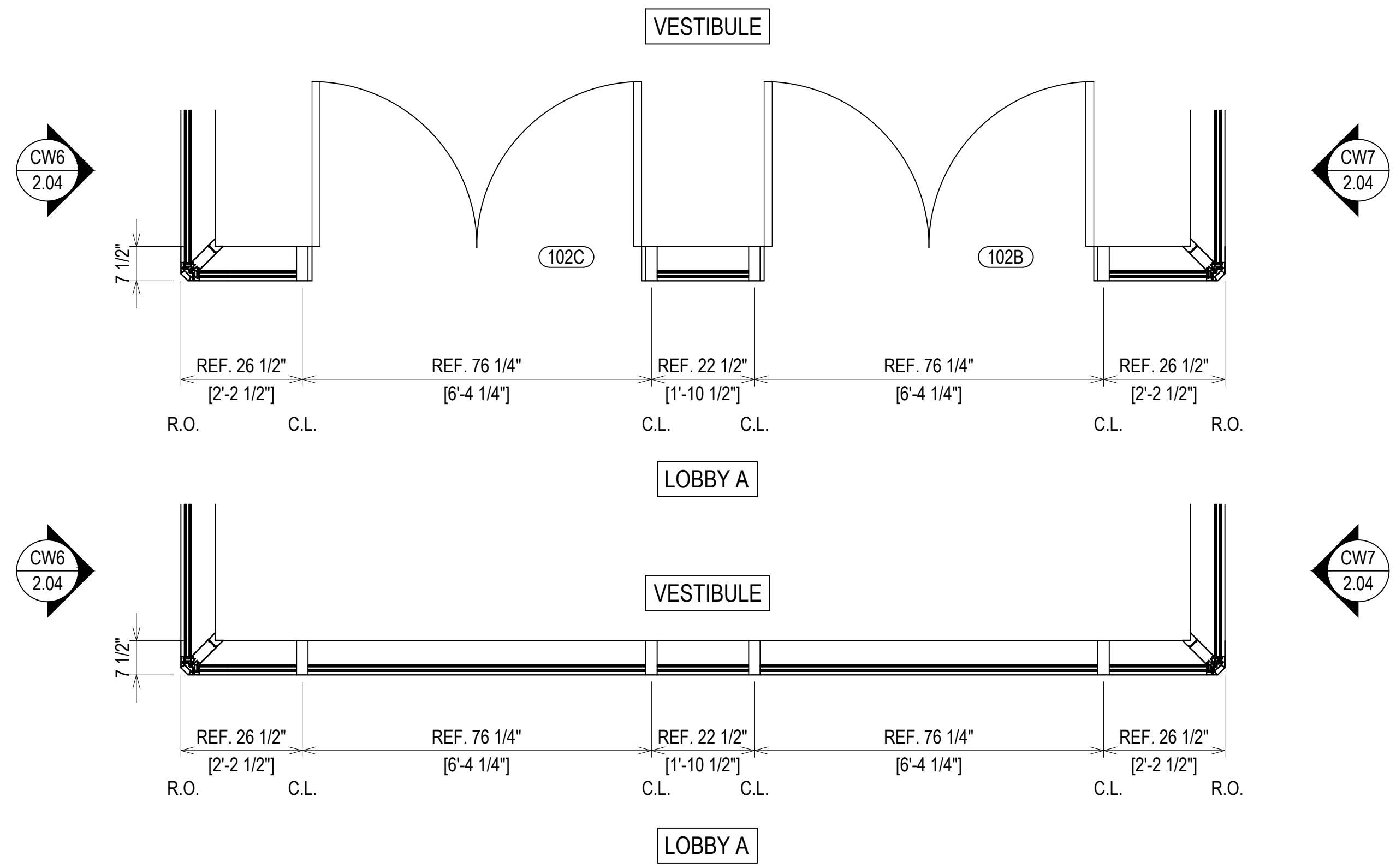
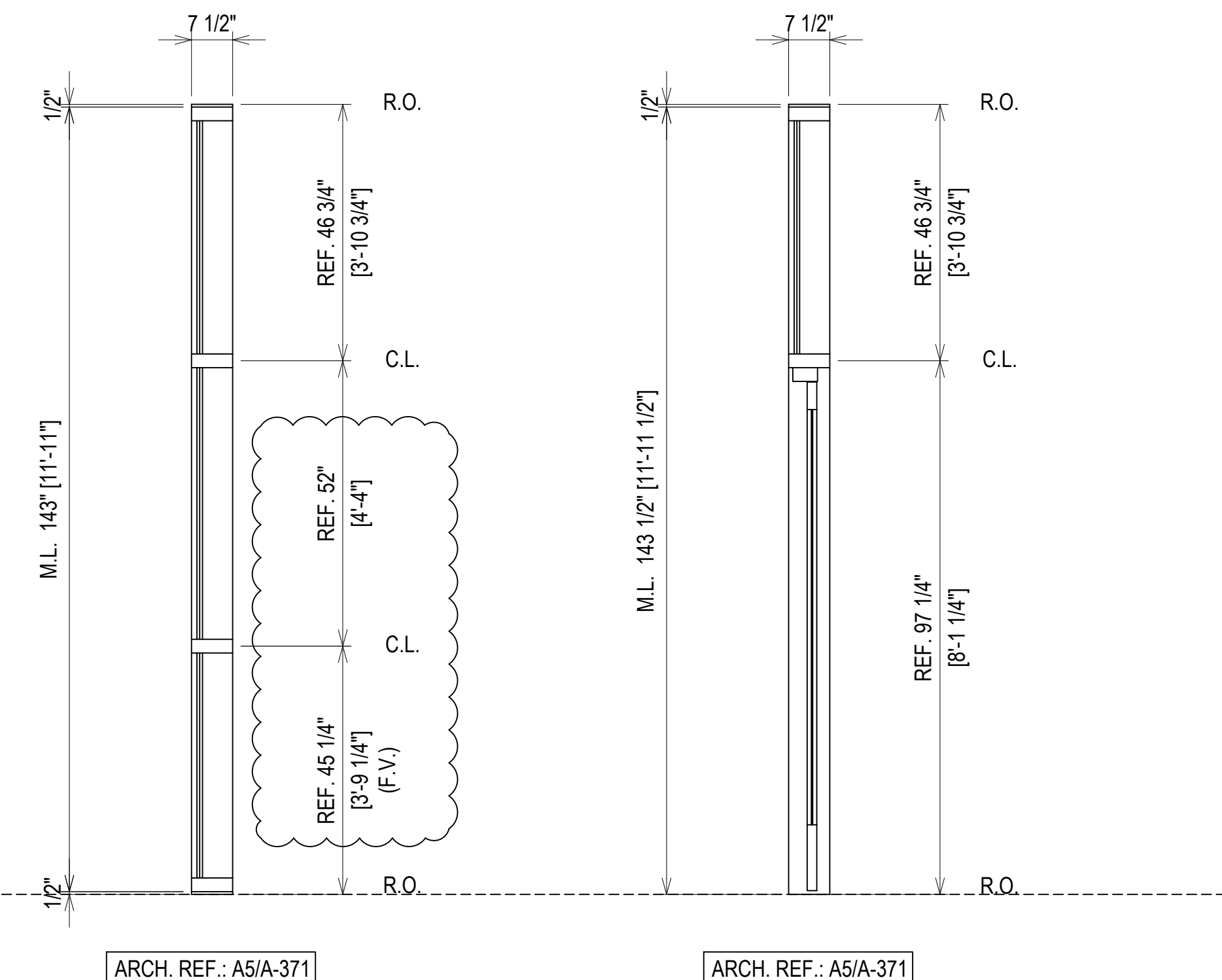
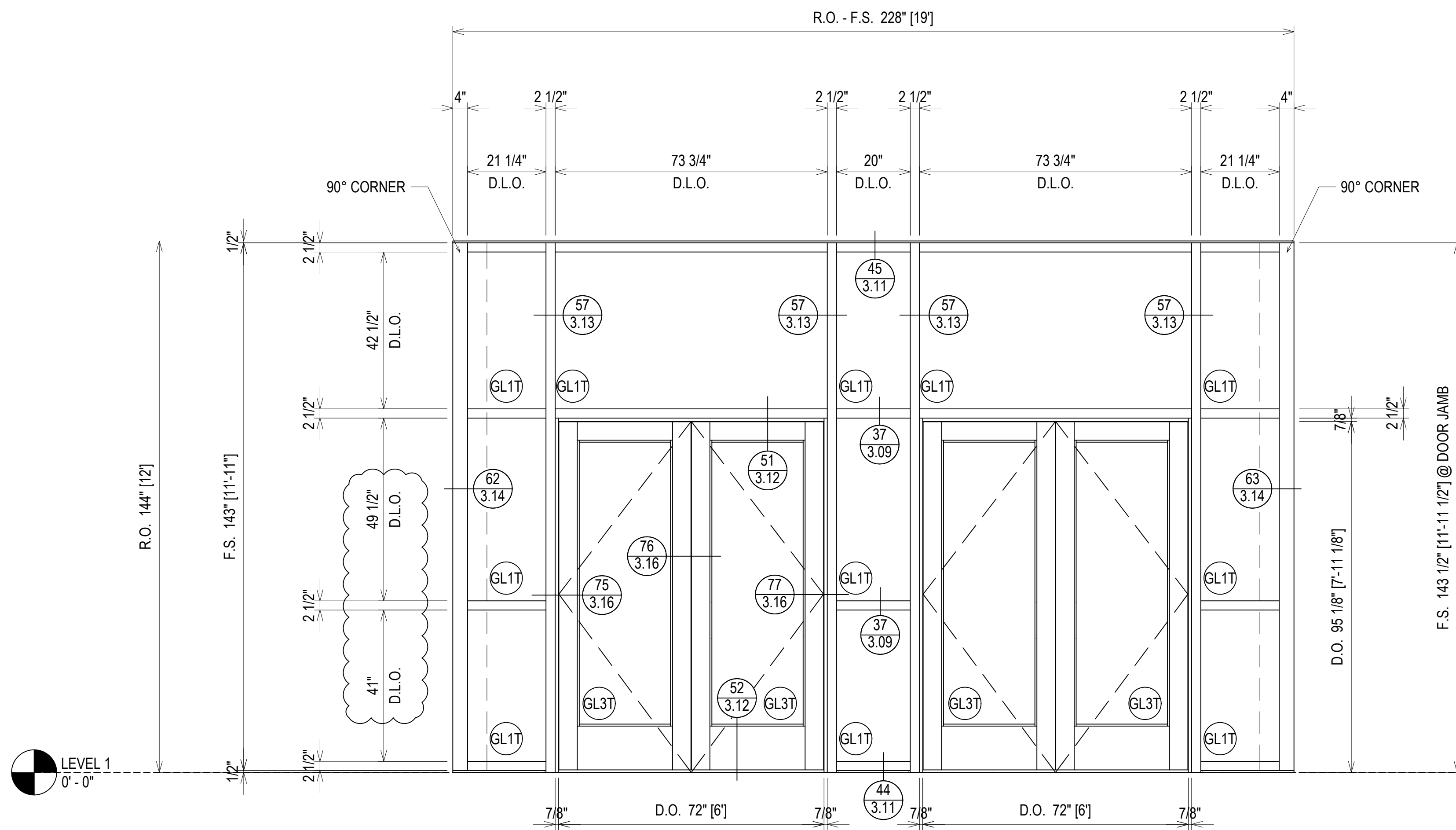
1ST SUBMISSION	4.22.21
1ST REVISION	7.14.21
2ND REVISION (ENGINEERING)	7.20.21
NO	DESCRIPTION
NO	DATE

GLASS TECH COMMERCIAL GLAZING SERVICES, INC.
850 WEST STAR STREET
GREENVILLE, NC 27834
P: 252.355.9195

PROJECT: NEW HANOVER COUNTY
GOVERNMENT CENTER
LOCATION: 230 GOVERNMENT CENTER DRIVE
WILMINGTON, NC 28403
ARCHITECT: LS3P ASSOCIATES LTD.
CUSTOMER: GLASS TECH COMMERCIAL GLAZING SERVICES

DRAWN BY:	DATE:
DJ	4.22.21
CHECKED BY:	DATE:
WH	4.22.21

2.07



ELEVATION CW11
 SCALE: 1/2" = 1'-0"
 YKK YCW 750 OG - 2 1/2" X 7 1/2"
 EXTERIOR CURTAIN WALL
 1" INSULATED GLASS (FRONT SET)
 QUANTITY: 1

ERECTOR / G.C. NOTE:
 PLEASE FIELD VERIFY ALL DIMENSIONS

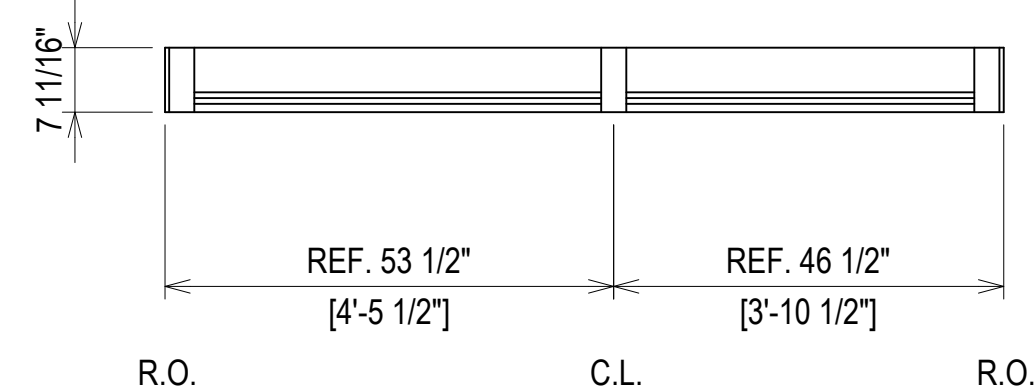
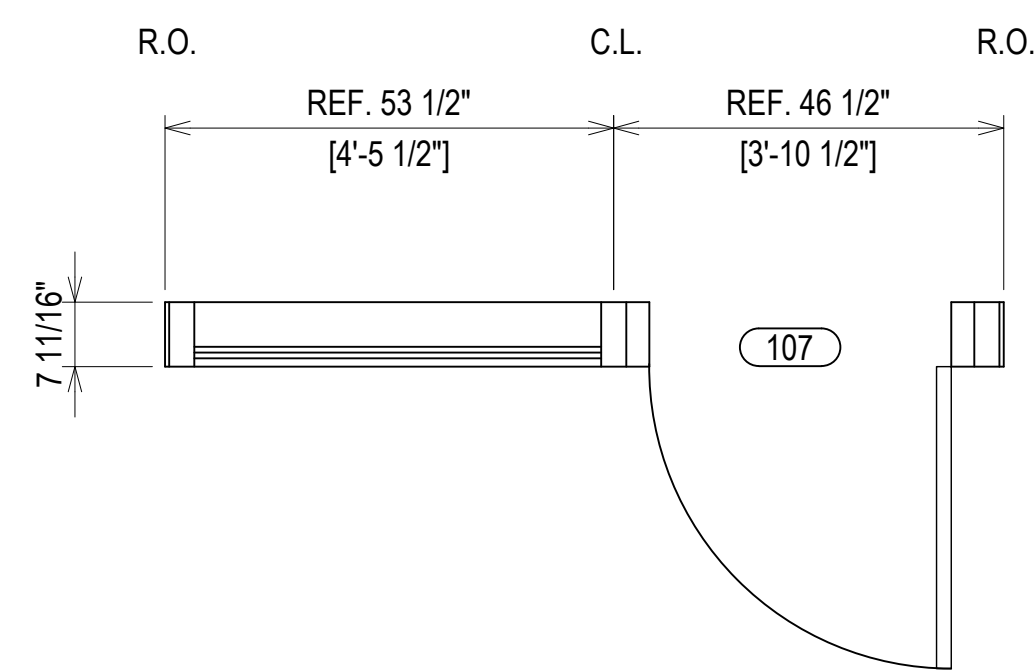
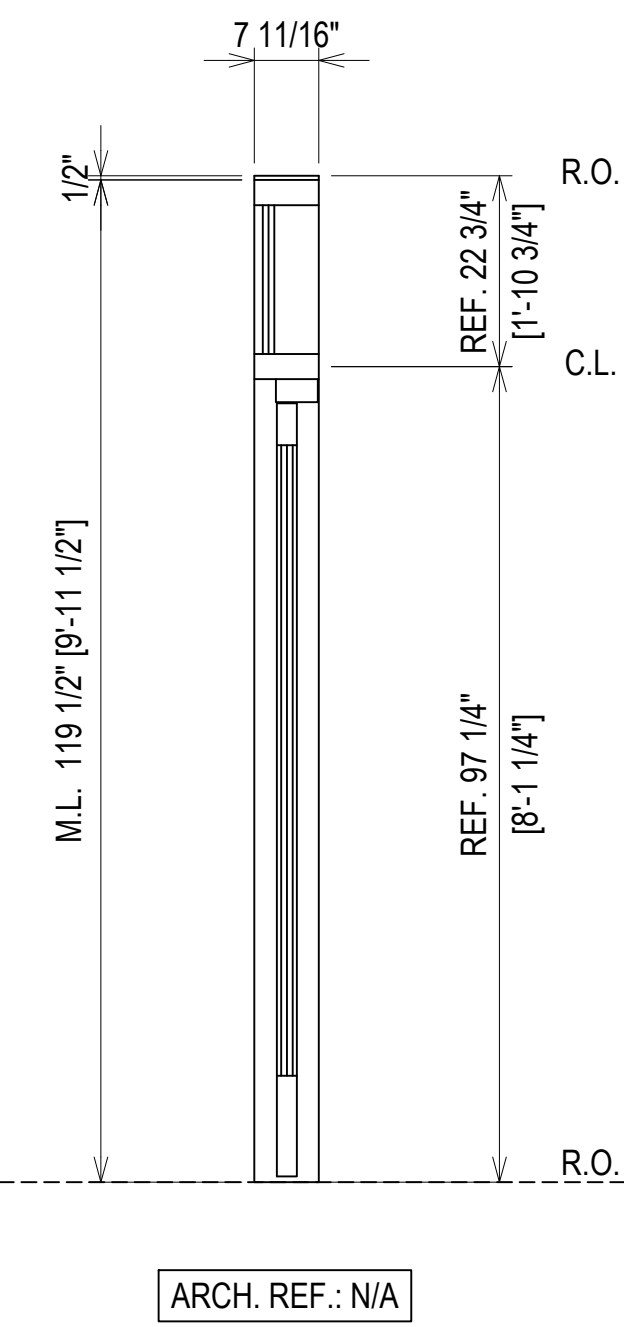
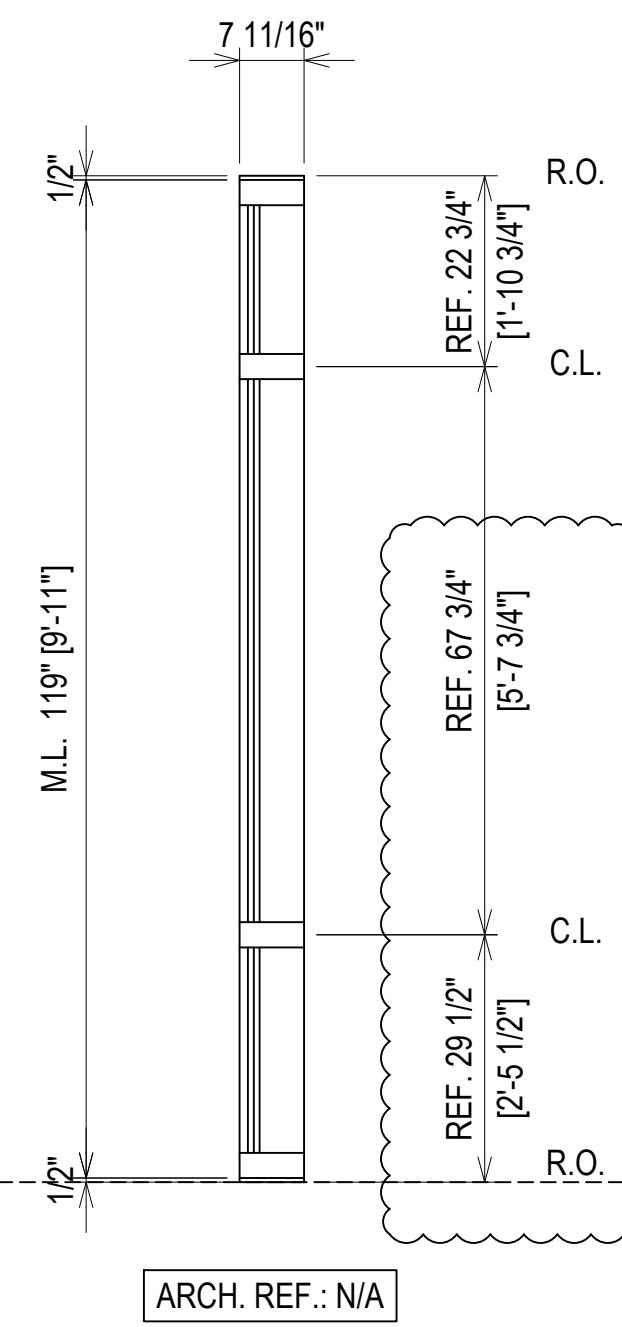
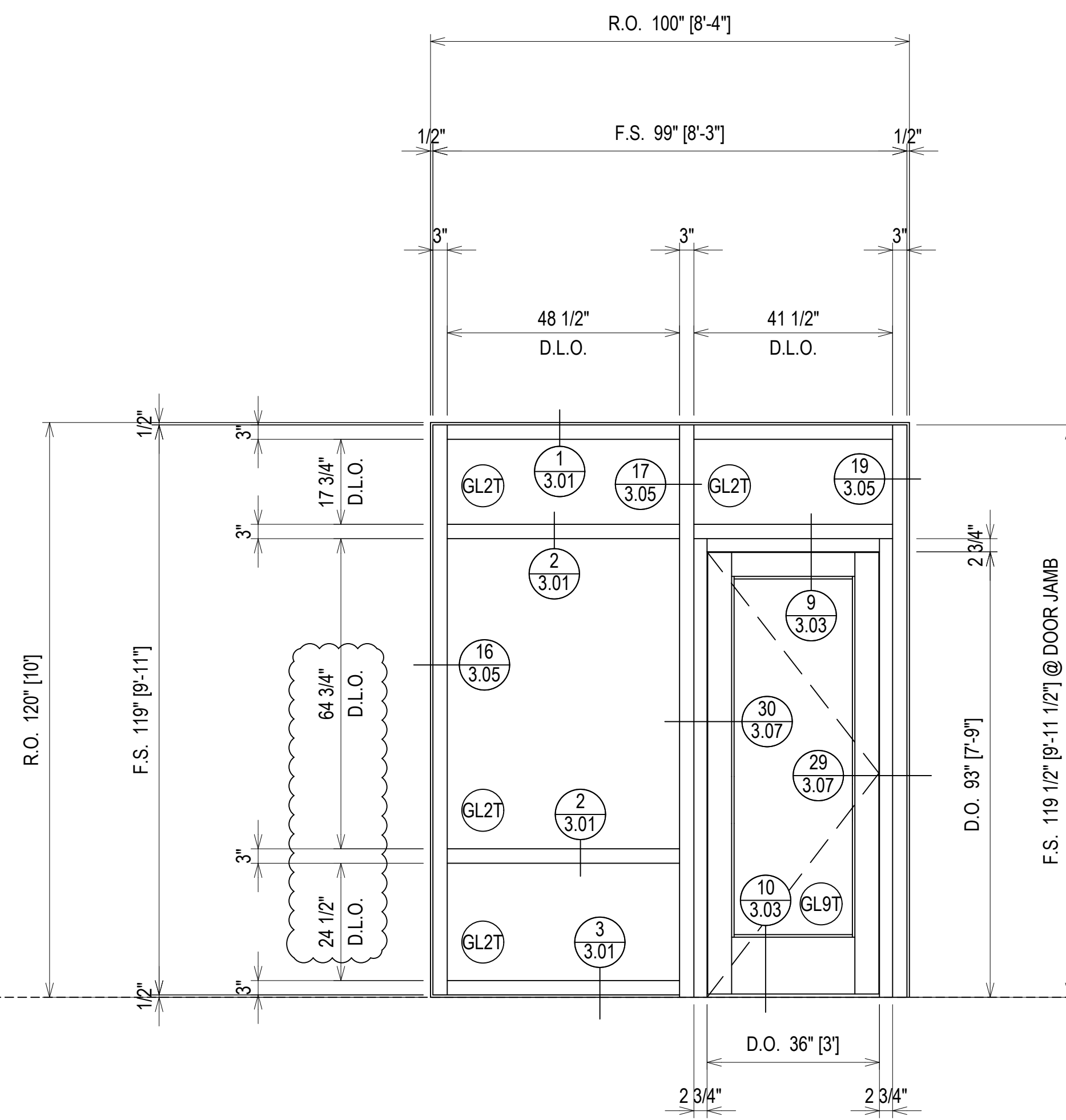
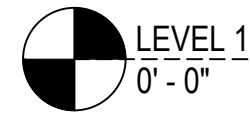
1ST SUBMISSION	4.22.21
1ST REVISION	7.14.21
2ND REVISION (ENGINEERING)	7.20.21
NO	NO
DESCRIPTION	DATE
DRAWING SUBMISSION	

GLASS TECH COMMERCIAL GLAZING SERVICES, INC.
 850 WEST STAR STREET
 GREENVILLE, NC 27834
 P: 252.355.9195

PROJECT: NEW HANOVER COUNTY GOVERNMENT CENTER
 LOCATION: 230 GOVERNMENT CENTER DRIVE WILMINGTON, NC 28403
 ARCHITECT: LS3P ASSOCIATES LTD.
 CUSTOMER: GLASS TECH COMMERCIAL GLAZING SERVICES

DRAWN BY:	DATE:
DJ	4.22.21
CHECKED BY:	DATE:
WH	4.22.21

2.08



ELEVATION CW12
 SCALE: 1/2" = 1'-0"
 YKK YHC 300 OG - 3" X 7 11/16"
 EXTERIOR CURTAIN WALL
 1 5/16" INSULATED GLASS (FRONT SET)
 QUANTITY: 1

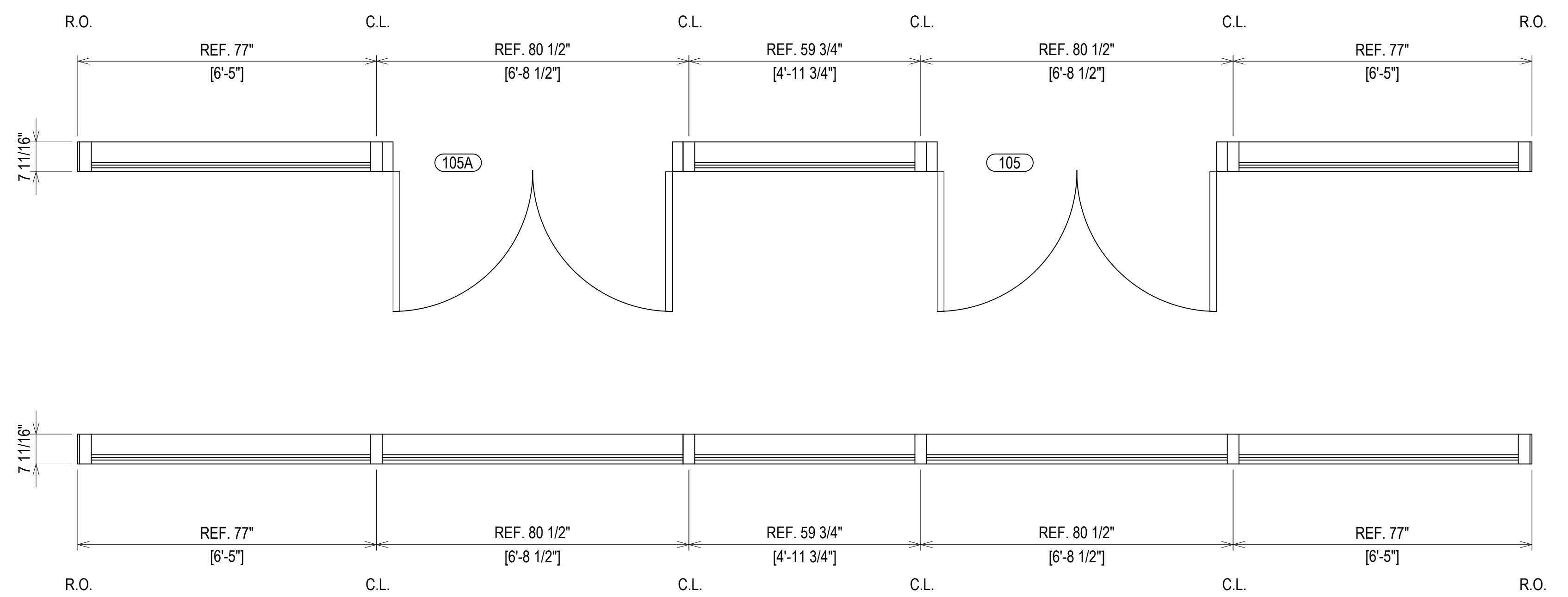
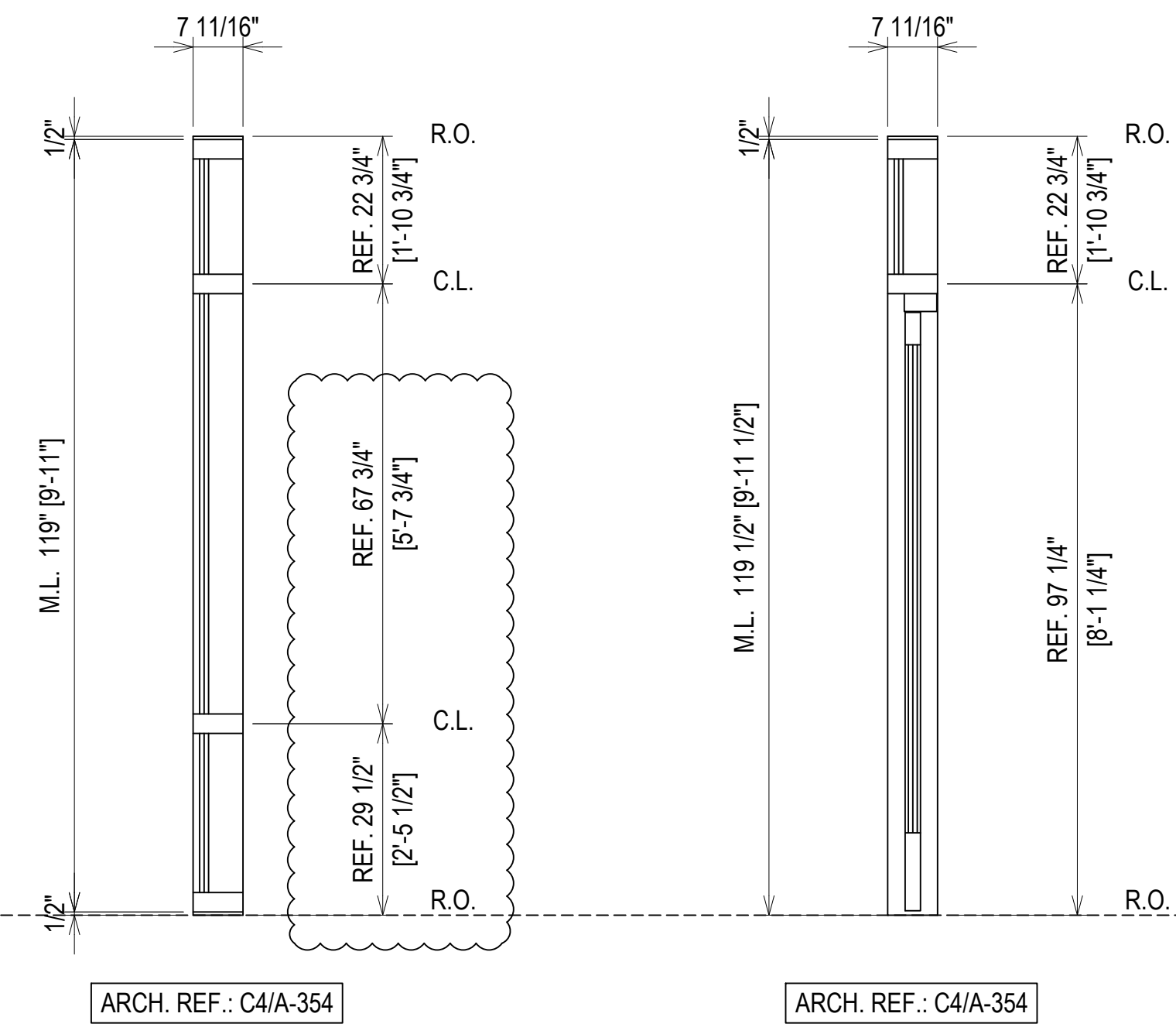
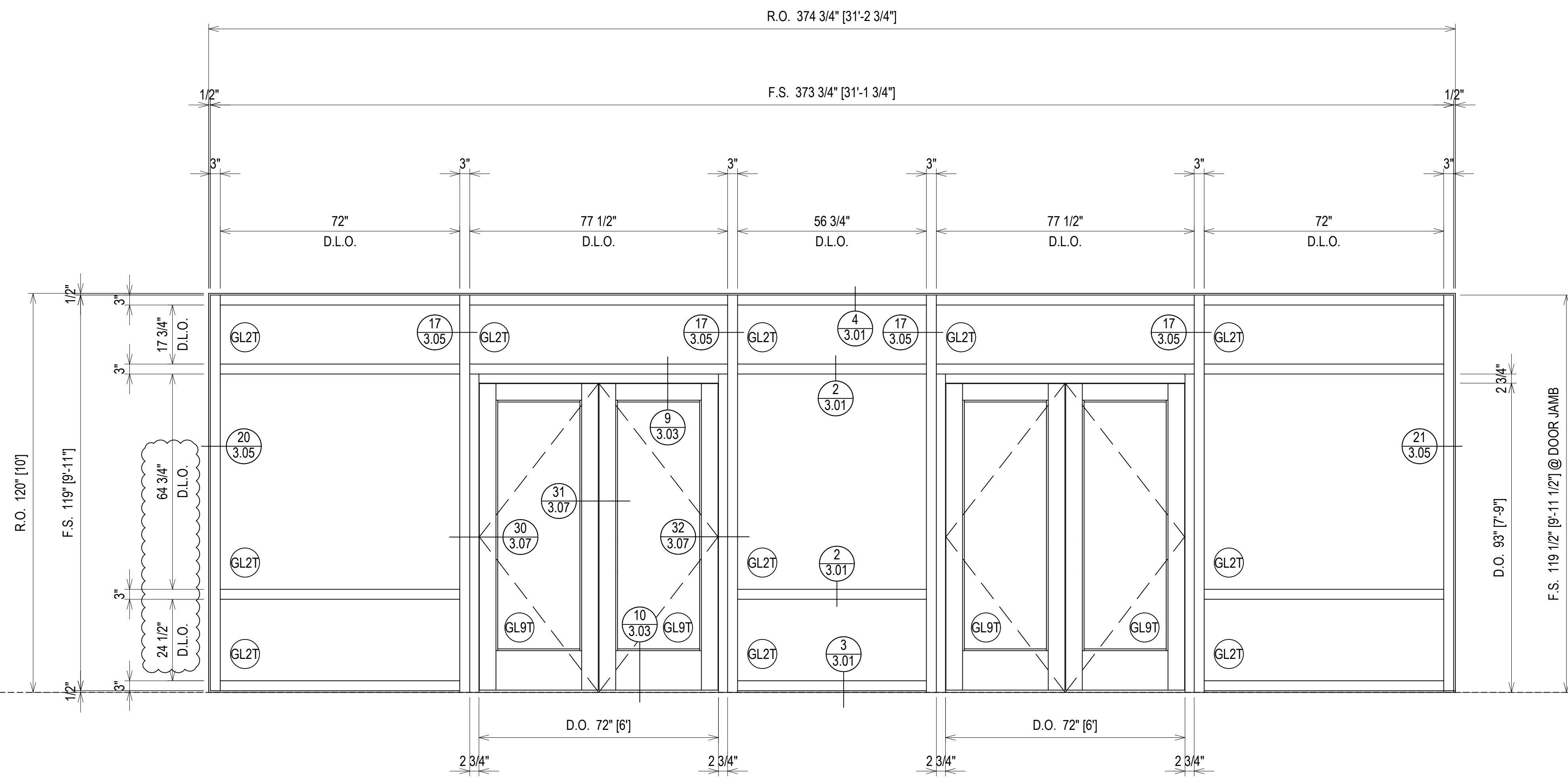
1ST SUBMISSION	4.22.21
1ST REVISION	7.14.21
2ND REVISION (ENGINEERING)	7.20.21
NO	NO
DESCRIPTION	DRAWING SUBMISSION

GLASS TECH COMMERCIAL GLAZING SERVICES, INC.
 850 WEST STAR STREET
 GREENVILLE, NC 27834
 P: 252.355.9195

PROJECT: NEW HANOVER COUNTY
 GOVERNMENT CENTER
 LOCATION: 230 GOVERNMENT CENTER DRIVE
 WILMINGTON, NC 28403
 ARCHITECT: LS3P ASSOCIATES LTD.
 CUSTOMER: GLASS TECH COMMERCIAL GLAZING SERVICES

DRAWN BY:	DATE:
DJ	4.22.21
CHECKED BY:	DATE:
WH	4.22.21

ERECTOR / G.C. NOTE:
 PLEASE FIELD VERIFY ALL DIMENSIONS



ELEVATION CW13
 SCALE: 1/2" = 1'-0"
 YKK YHC 300 OG - 3" X 7 11/16"
 EXTERIOR CURTAIN WALL
 1 5/16" INSULATED GLASS (FRONT SET)
 QUANTITY: 1

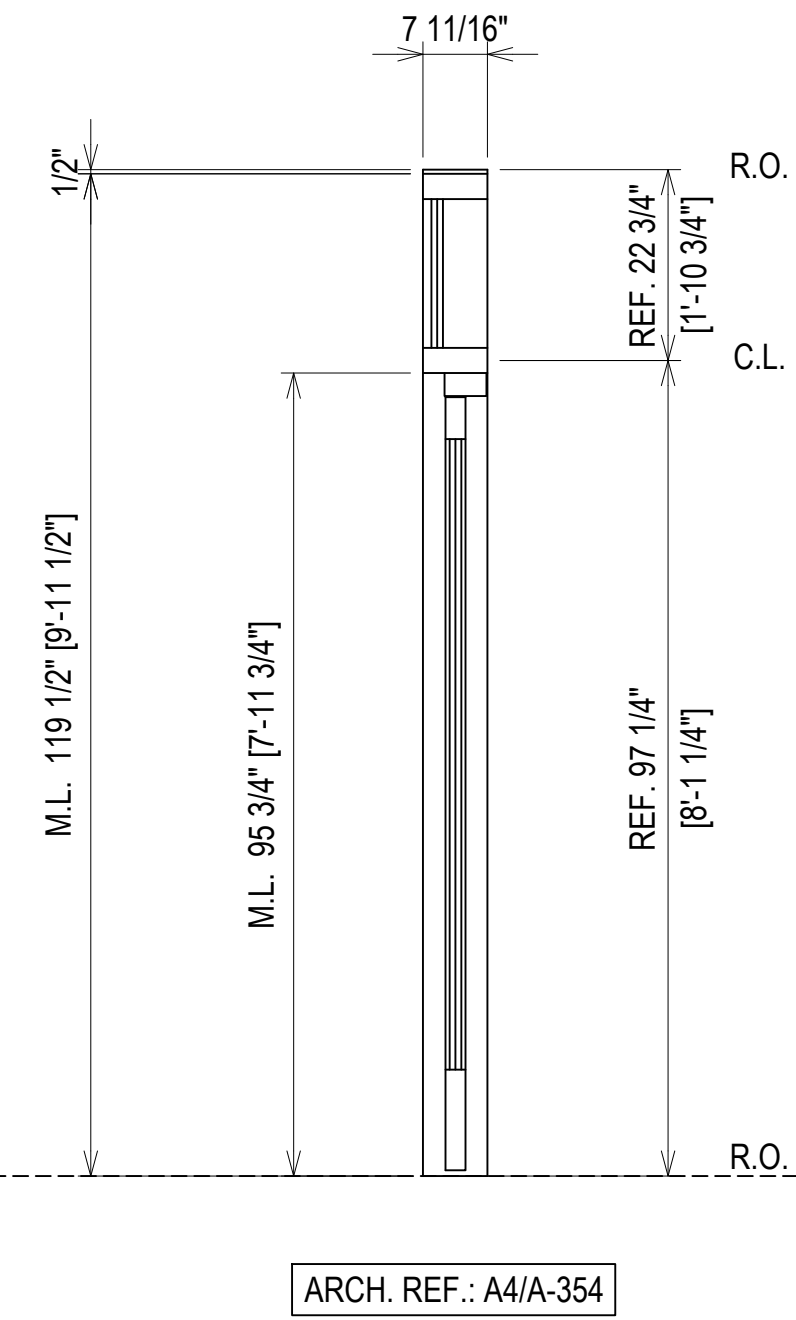
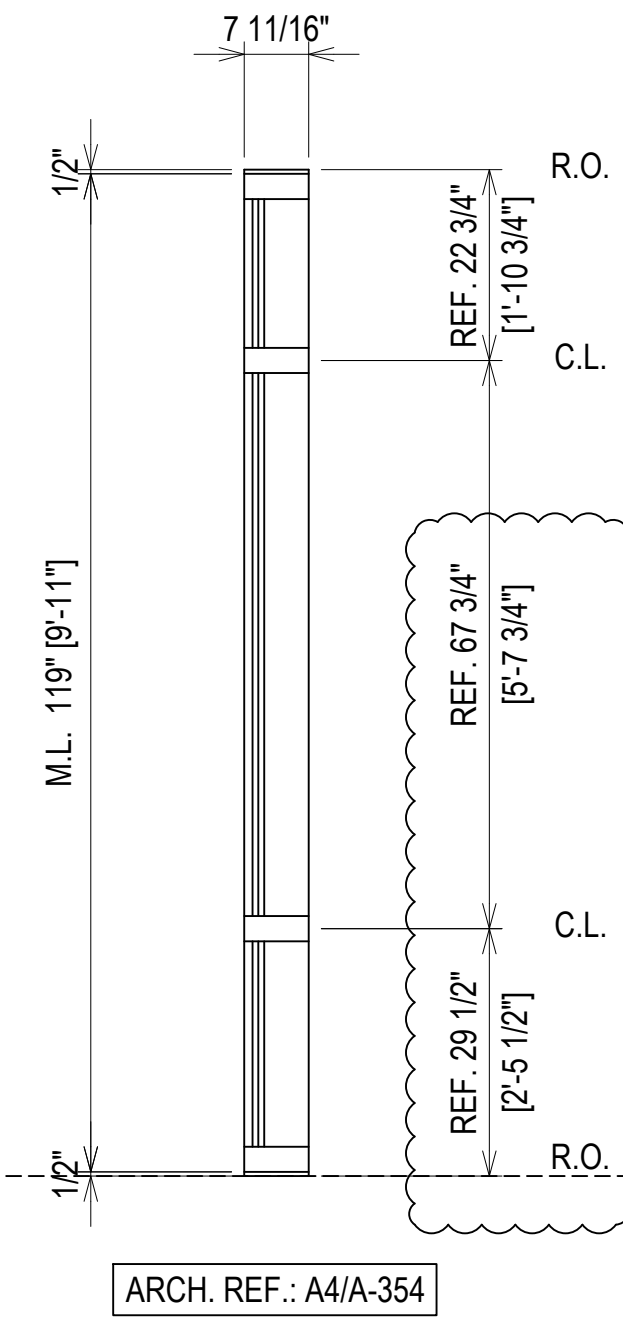
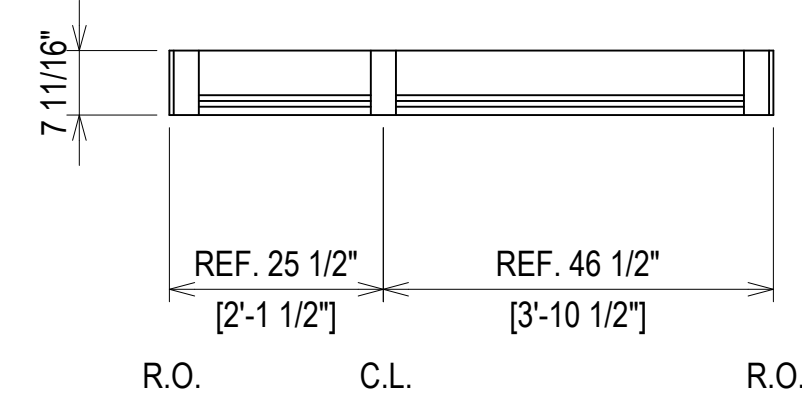
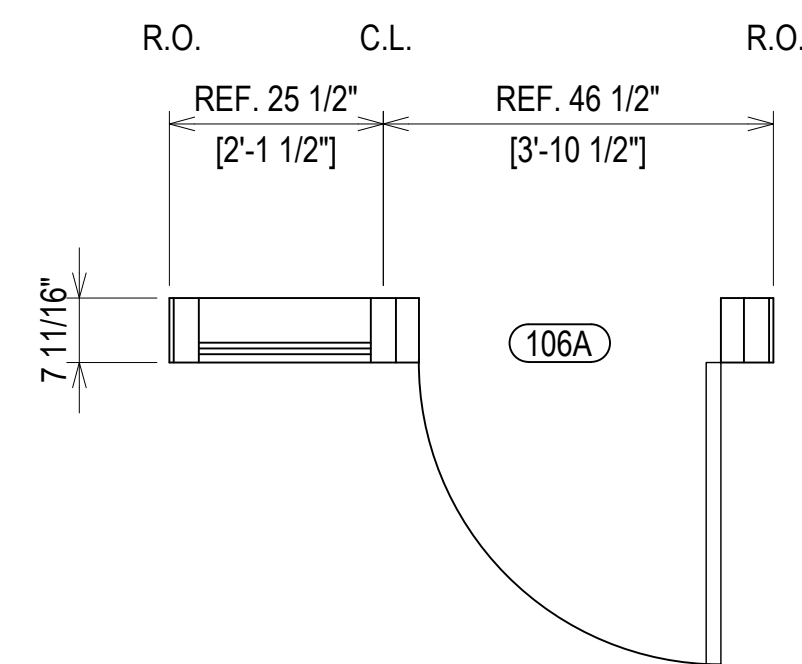
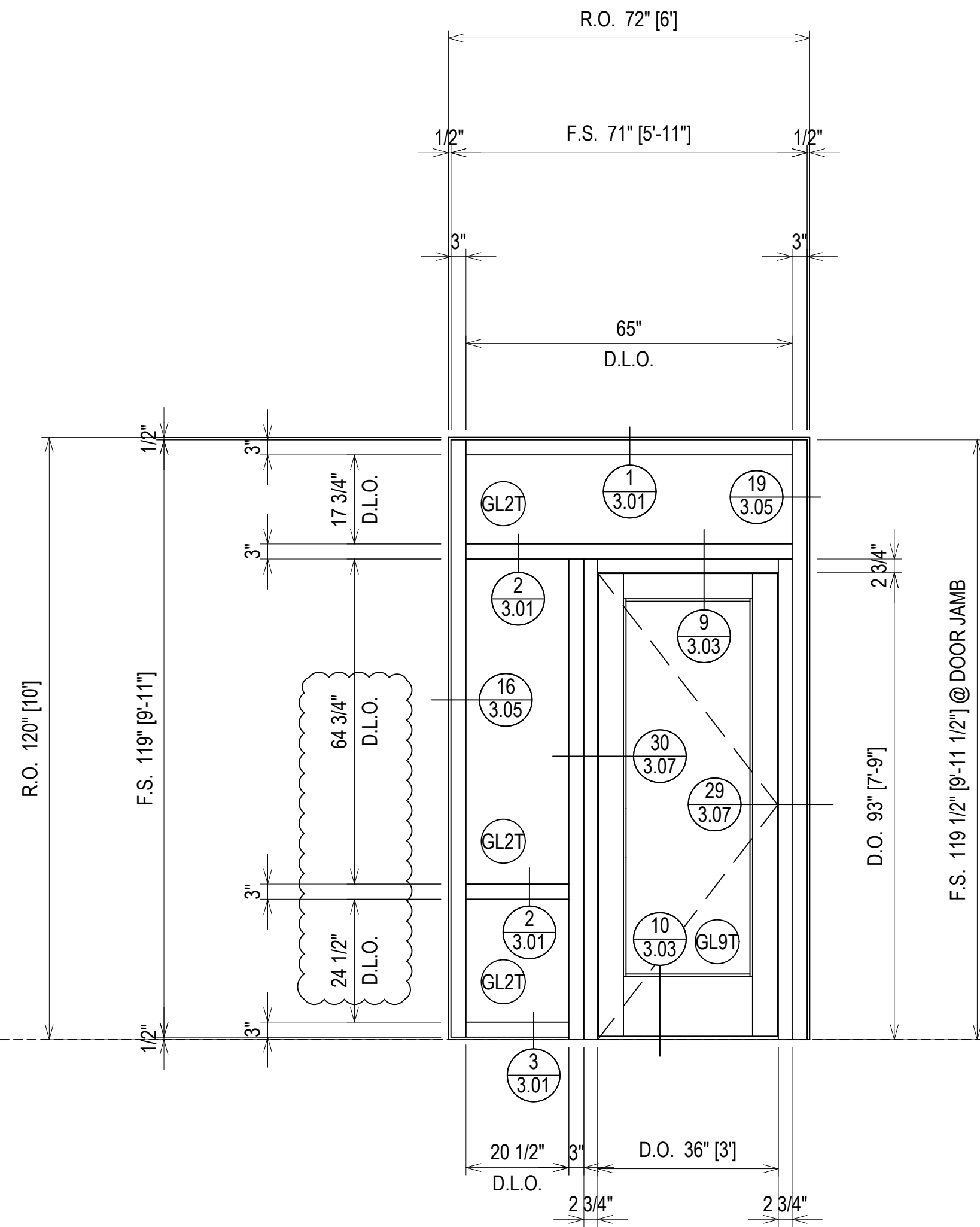
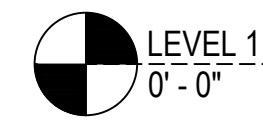
1ST SUBMISSION	4.22.21
1ST REVISION	7.14.21
2ND REVISION (ENGINEERING)	7.20.21
NO	NO
DESCRIPTION	DATE
DRAWING SUBMISSION	

GLASS TECH COMMERCIAL GLAZING SERVICES, INC.
 850 WEST STAR STREET
 GREENVILLE, NC 27834
 P: 252.355.9195

PROJECT: NEW HANOVER COUNTY
 GOVERNMENT CENTER
 LOCATION: 230 GOVERNMENT CENTER DRIVE
 WILMINGTON, NC 28403
 ARCHITECT: LS3P ASSOCIATES LTD.
 CUSTOMER: GLASS TECH COMMERCIAL GLAZING SERVICES

DRAWN BY:	DATE:
DJ	4.22.21
CHECKED BY:	DATE:
WH	4.22.21

ERECTOR / G.C. NOTE:
 PLEASE FIELD VERIFY ALL DIMENSIONS



ELEVATION CW14
 SCALE: 1/2" = 1'-0"
 YKK YHC 300 OG - 3" X 7 11/16"
 EXTERIOR CURTAIN WALL
 15/16" INSULATED GLASS (FRONT SET)
 QUANTITY: 1

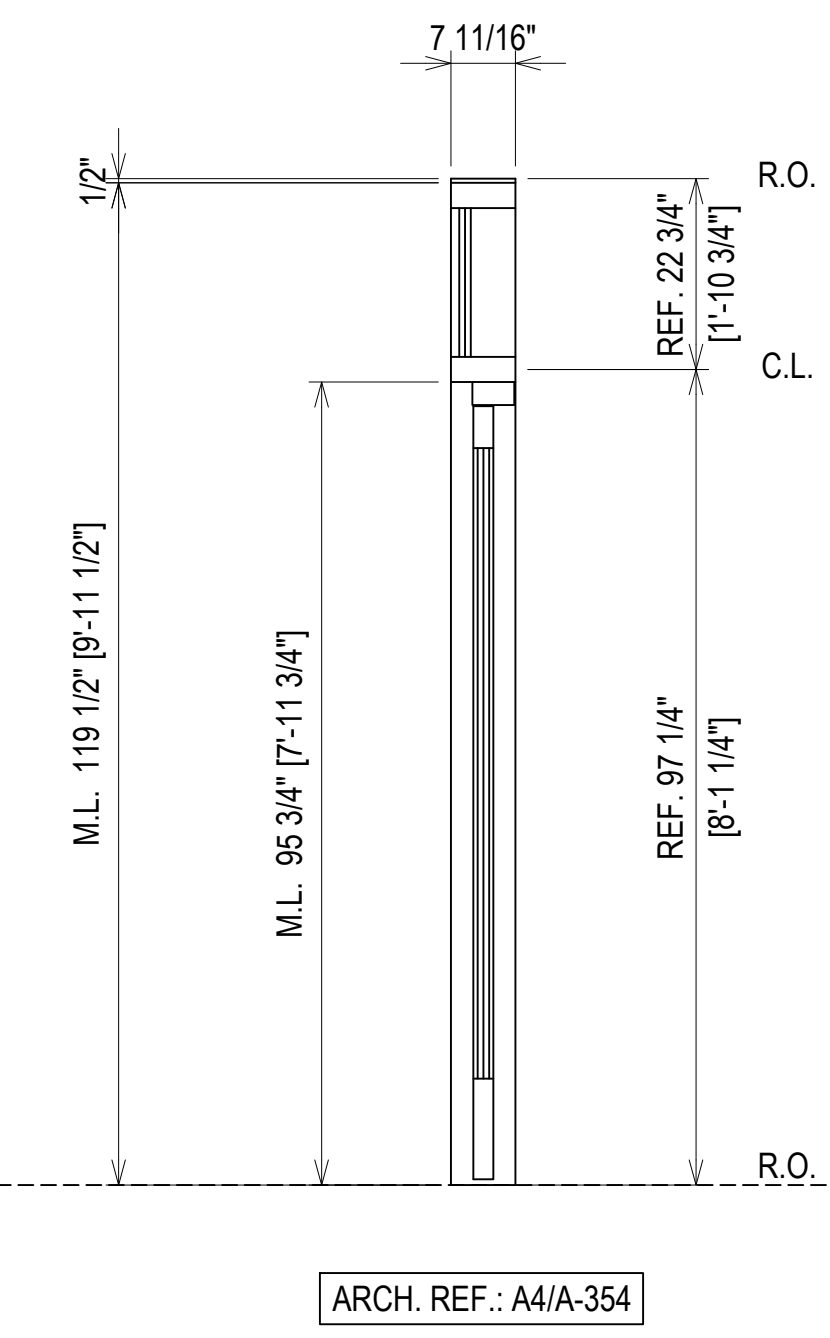
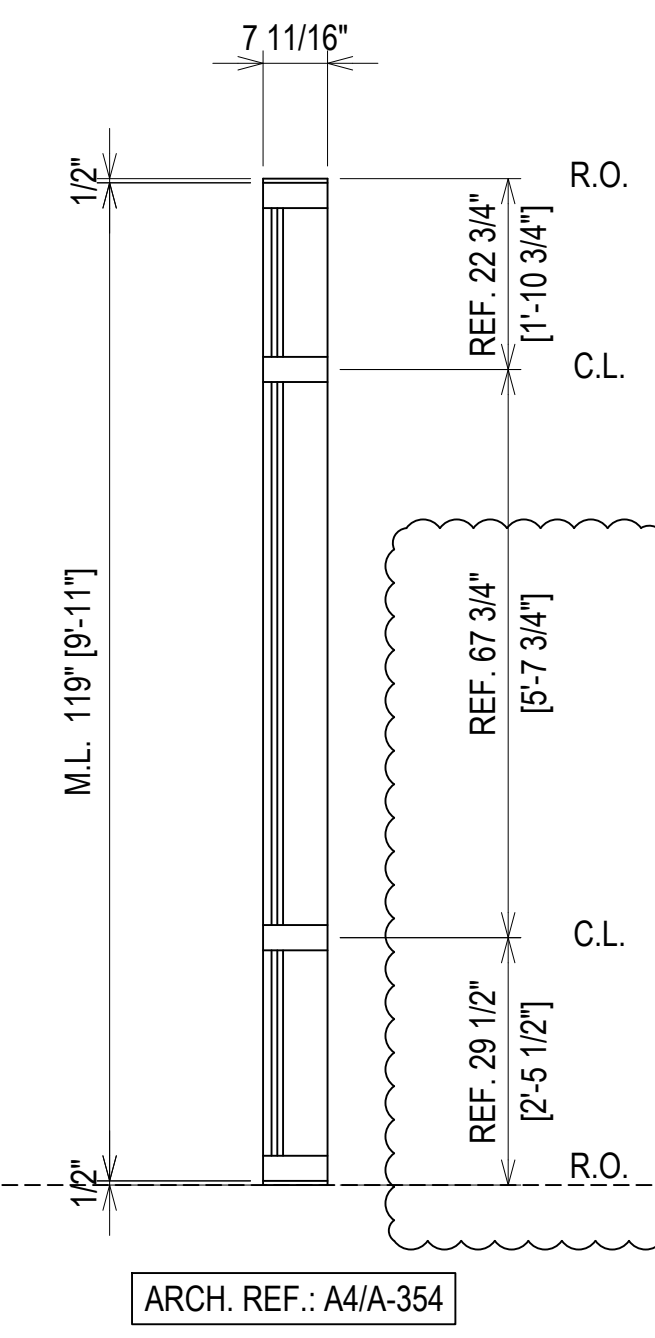
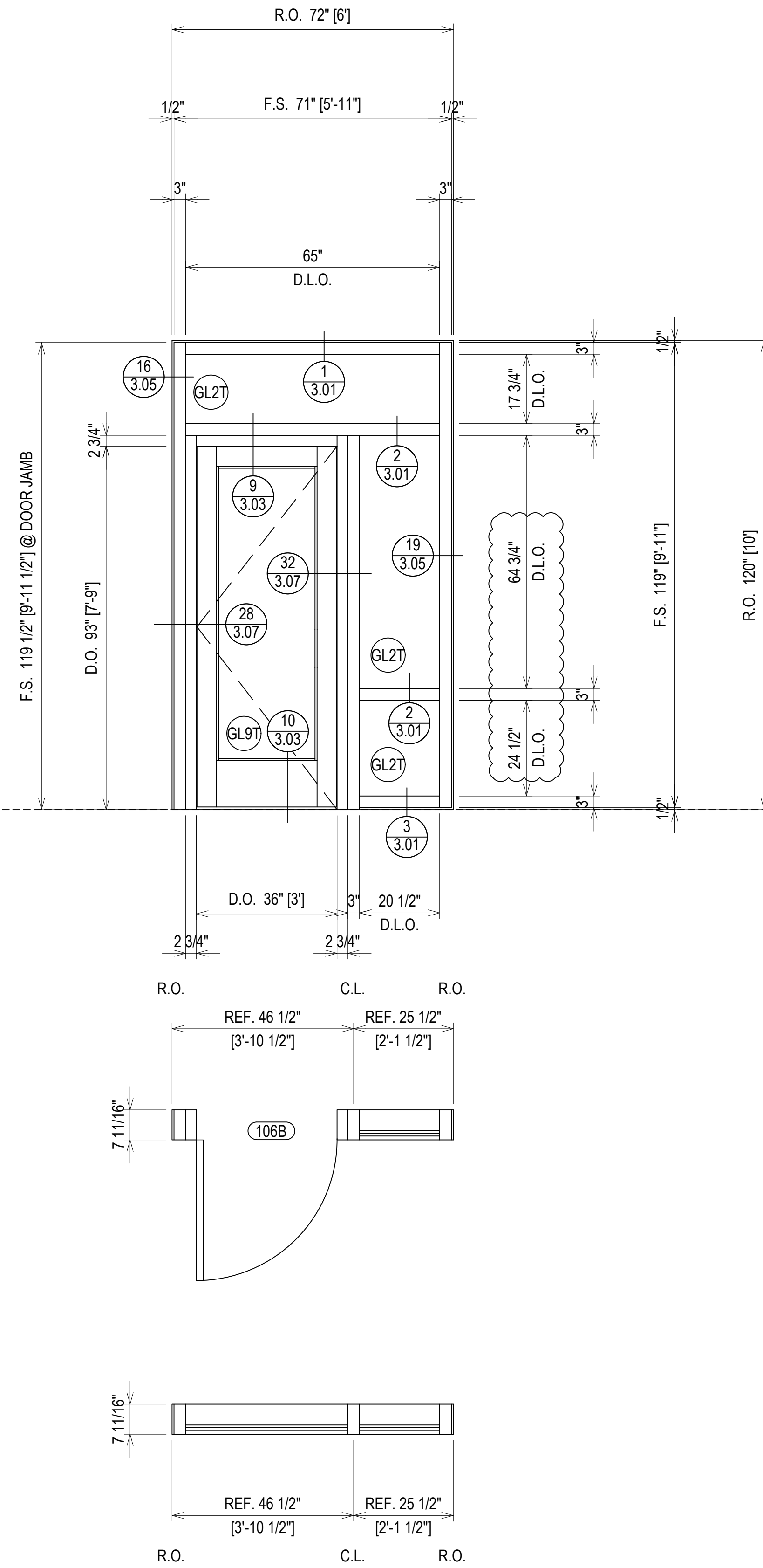
1ST SUBMISSION	4.22.21
1ST REVISION	7.14.21
2ND REVISION (ENGINEERING)	7.20.21
NO	DESCRIPTION
NO	DATE

GLASS TECH COMMERCIAL GLAZING SERVICES, INC.
 850 WEST STAR STREET
 GREENVILLE, NC 27834
 P: 252.355.9195

PROJECT: NEW HANOVER COUNTY GOVERNMENT CENTER
 LOCATION: 230 GOVERNMENT CENTER DRIVE WILMINGTON, NC 28403
 ARCHITECT: LS3P ASSOCIATES LTD.
 CUSTOMER: GLASS TECH COMMERCIAL GLAZING SERVICES

DRAWN BY:	DATE:
DJ	4.22.21
CHECKED BY:	DATE:
WH	4.22.21

ERECTOR / G.C. NOTE:
 PLEASE FIELD VERIFY ALL DIMENSIONS



ELEVATION CW15
 SCALE: 1/2" = 1'-0"
 YKK YHC 300 OG - 3" X 7 11/16"
 EXTERIOR CURTAIN WALL
 1 5/16" INSULATED GLASS (FRONT SET)
 QUANTITY: 1

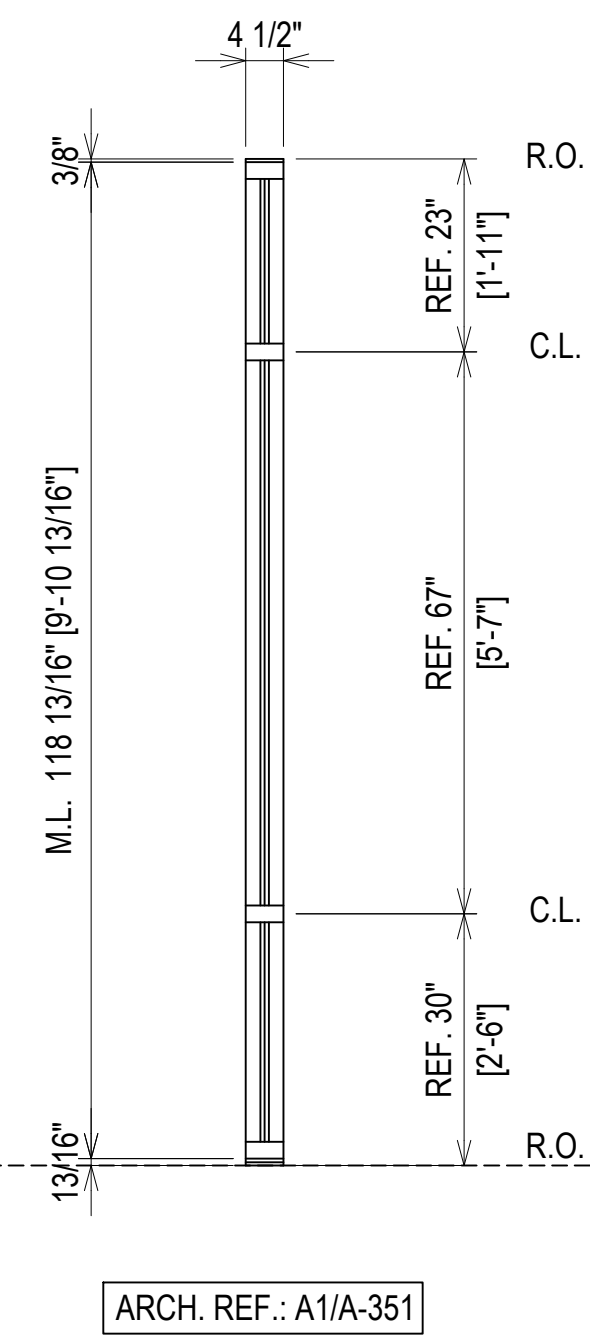
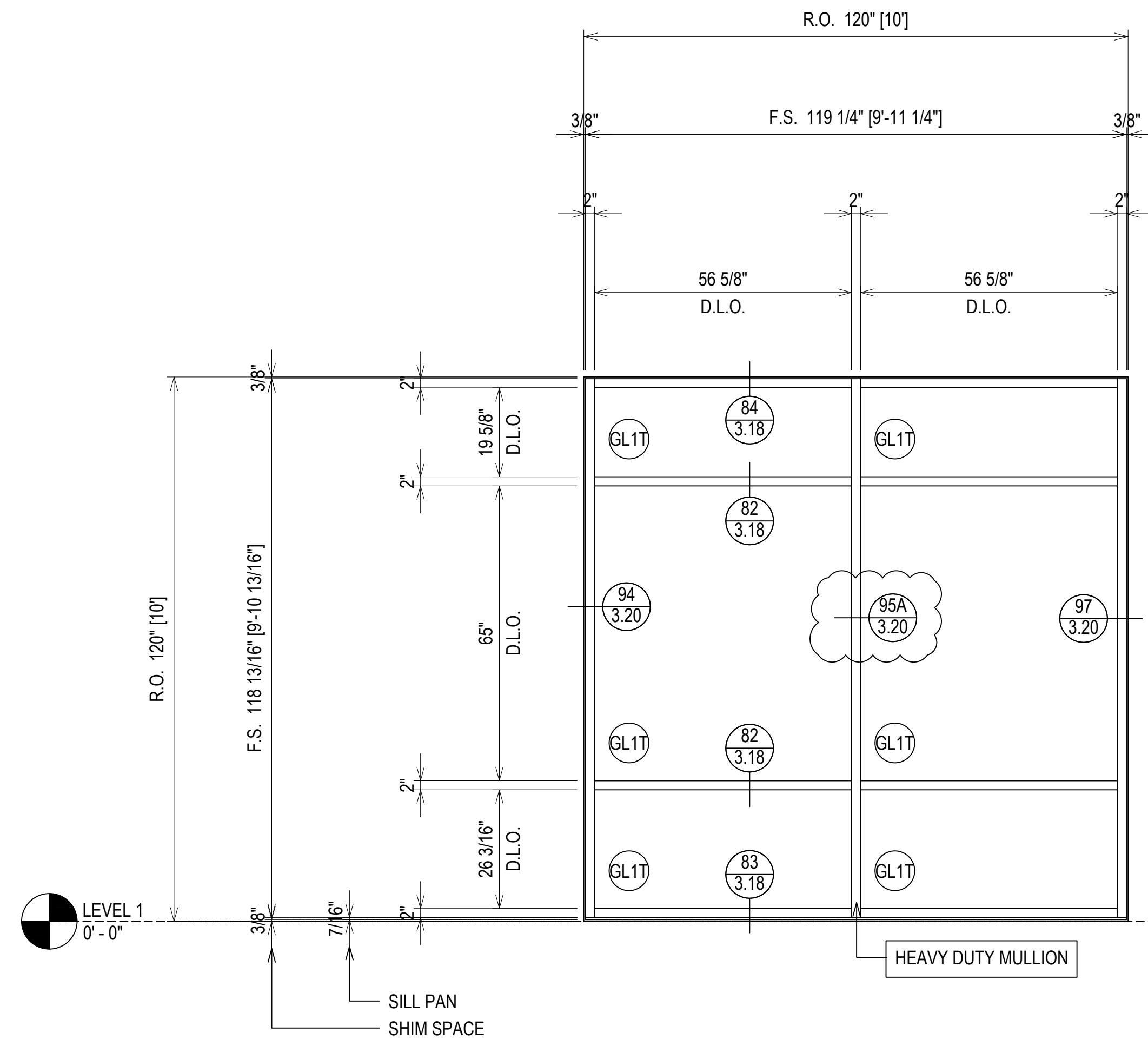
ERECTOR / G.C. NOTE:
 PLEASE FIELD VERIFY ALL DIMENSIONS

1ST SUBMISSION	4.22.21
1ST REVISION	7.14.21
2ND REVISION (ENGINEERING)	7.20.21
NO	DESCRIPTION
	DRAWING SUBMISSION

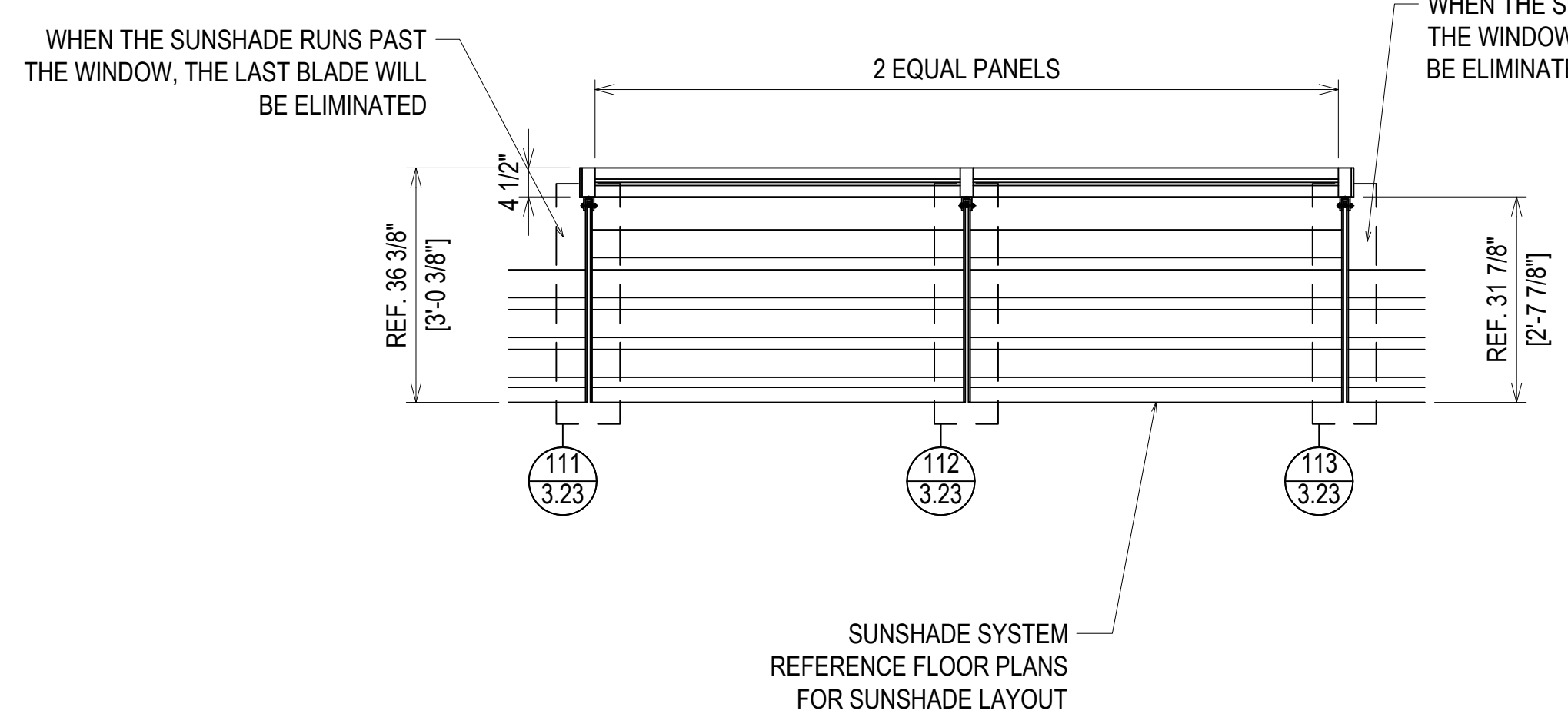
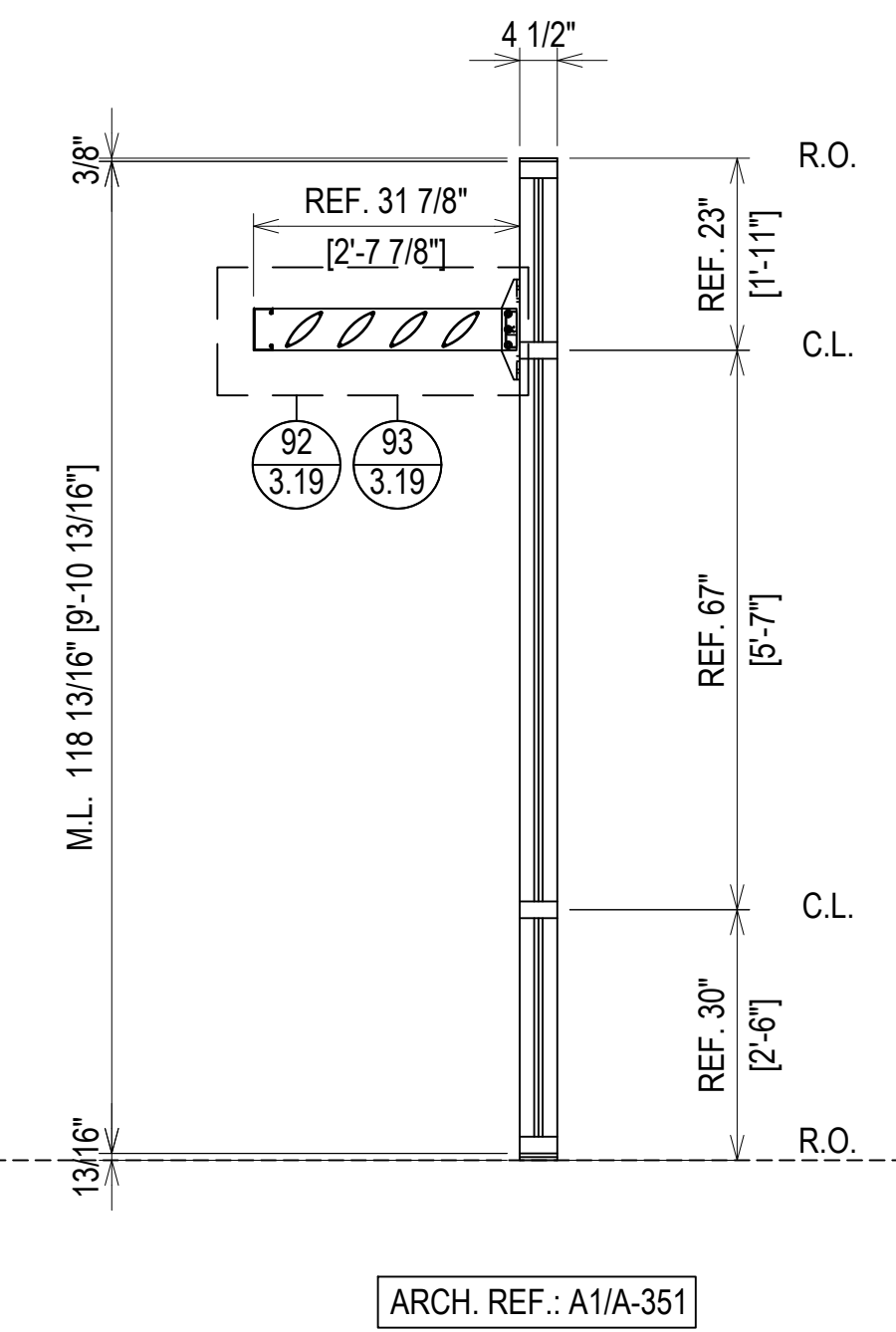
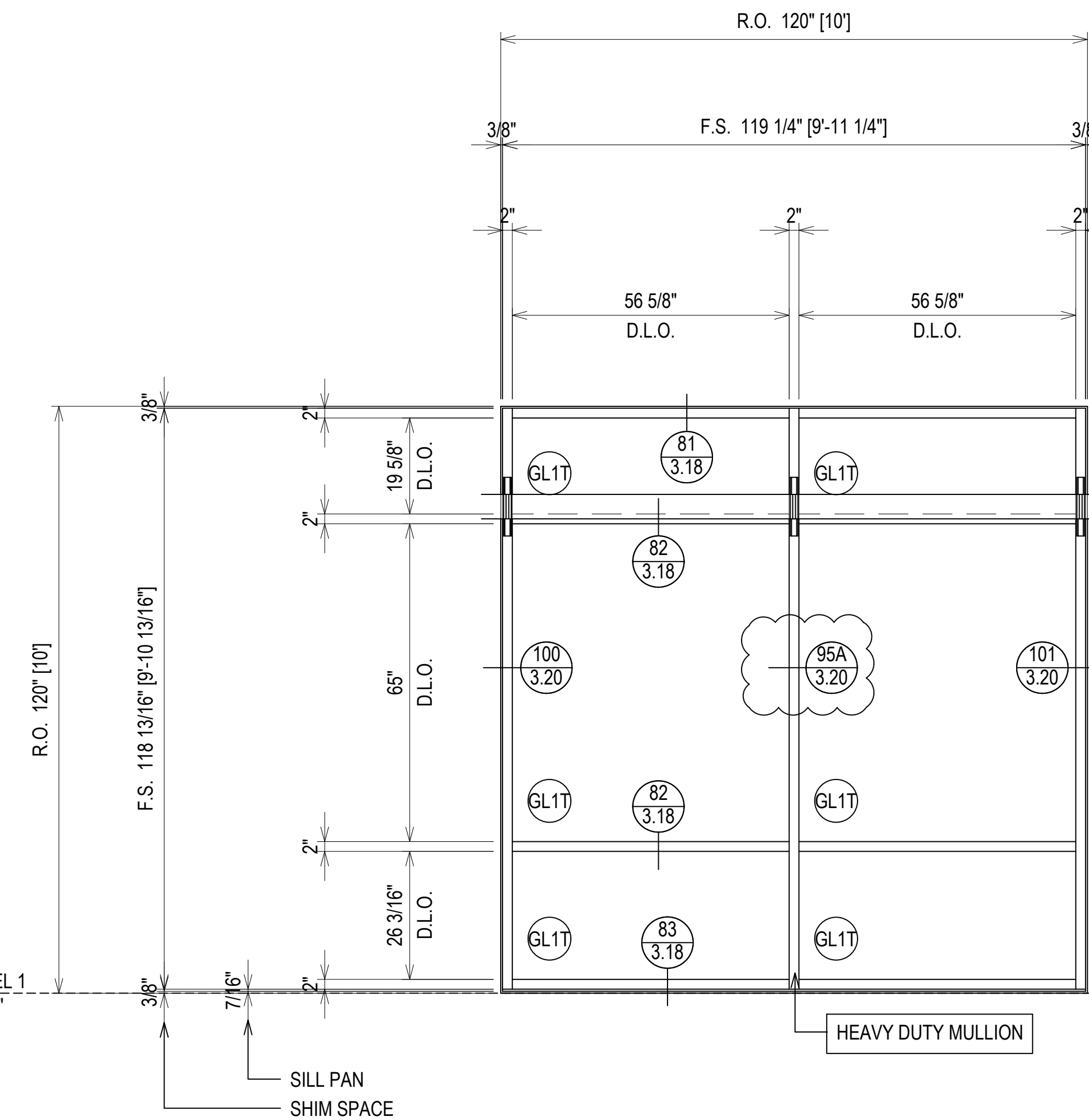
GLASS TECH COMMERCIAL GLAZING SERVICES, INC.
 850 WEST STAR STREET
 GREENVILLE, NC 27834
 P: 252.355.9195

PROJECT: NEW HANOVER COUNTY
 GOVERNMENT CENTER
 LOCATION: 230 GOVERNMENT CENTER DRIVE
 WILMINGTON, NC 28403
 ARCHITECT: LS3P ASSOCIATES LTD.
 CUSTOMER: GLASS TECH COMMERCIAL GLAZING SERVICES

DRAWN BY:	DATE:
DJ	4.22.21
CHECKED BY:	DATE:
WH	4.22.21



ELEVATION SF1
 SCALE: 1/2" = 1'-0"
 YKK YES 45TU - 2" X 4 1/2"
 EXTERIOR STOREFRONT
 1" INSULATED GLASS (CENTER SET)
 QUANTITY: 11



ELEVATION SF1A
 SCALE: 1/2" = 1'-0"
 YKK YES 45TU - 2" X 4 1/2"
 EXTERIOR STOREFRONT
 1" INSULATED GLASS (CENTER SET)
 QUANTITY: 3

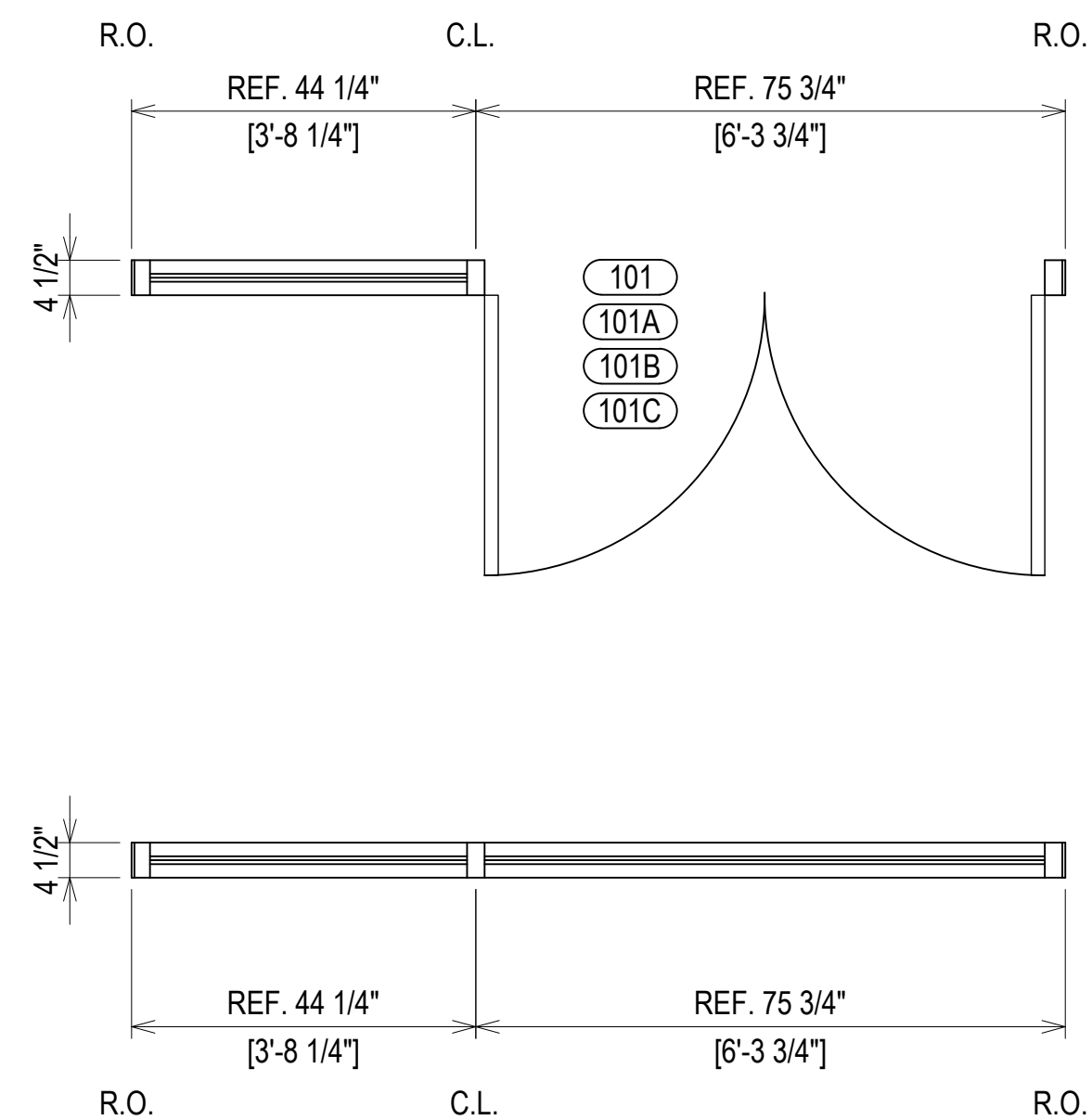
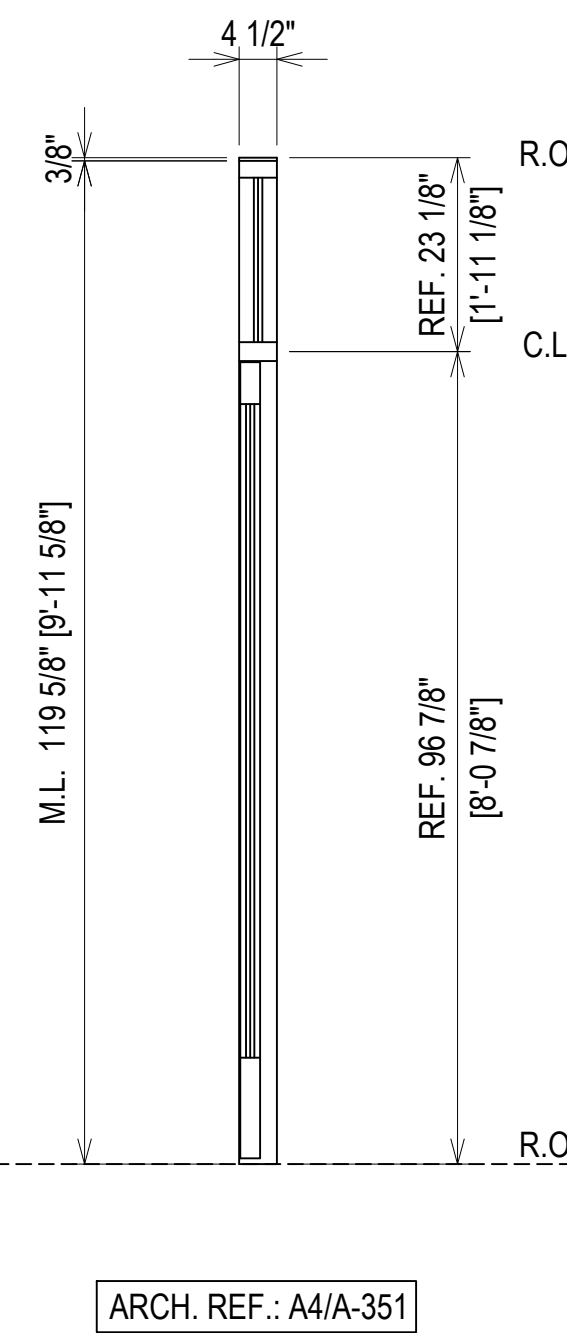
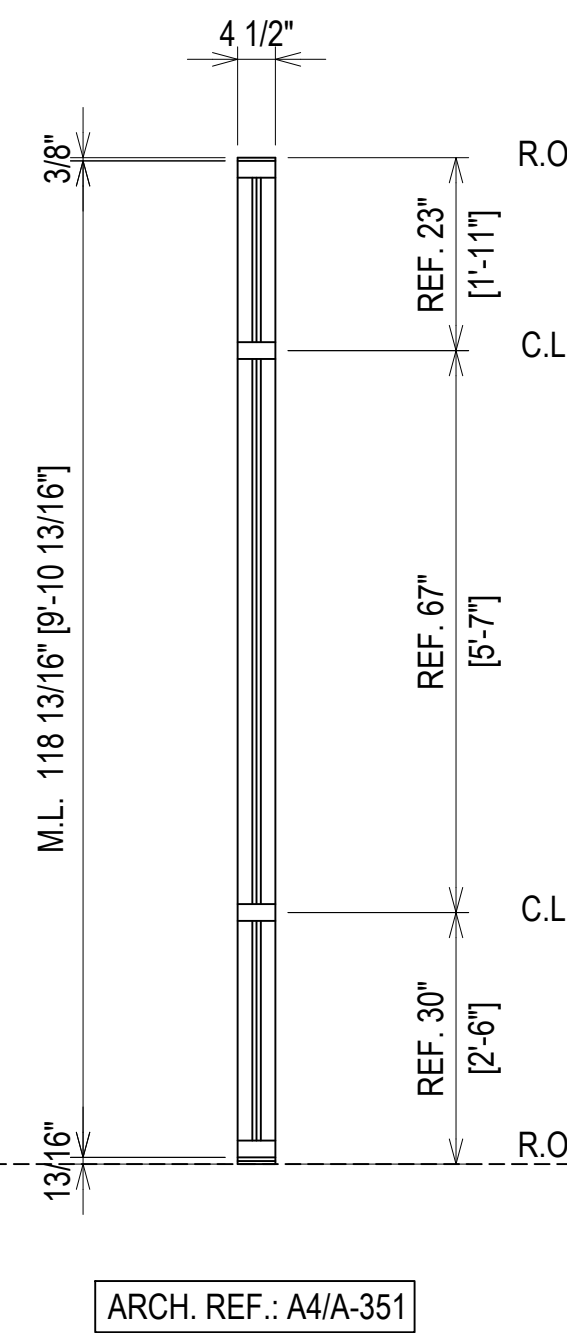
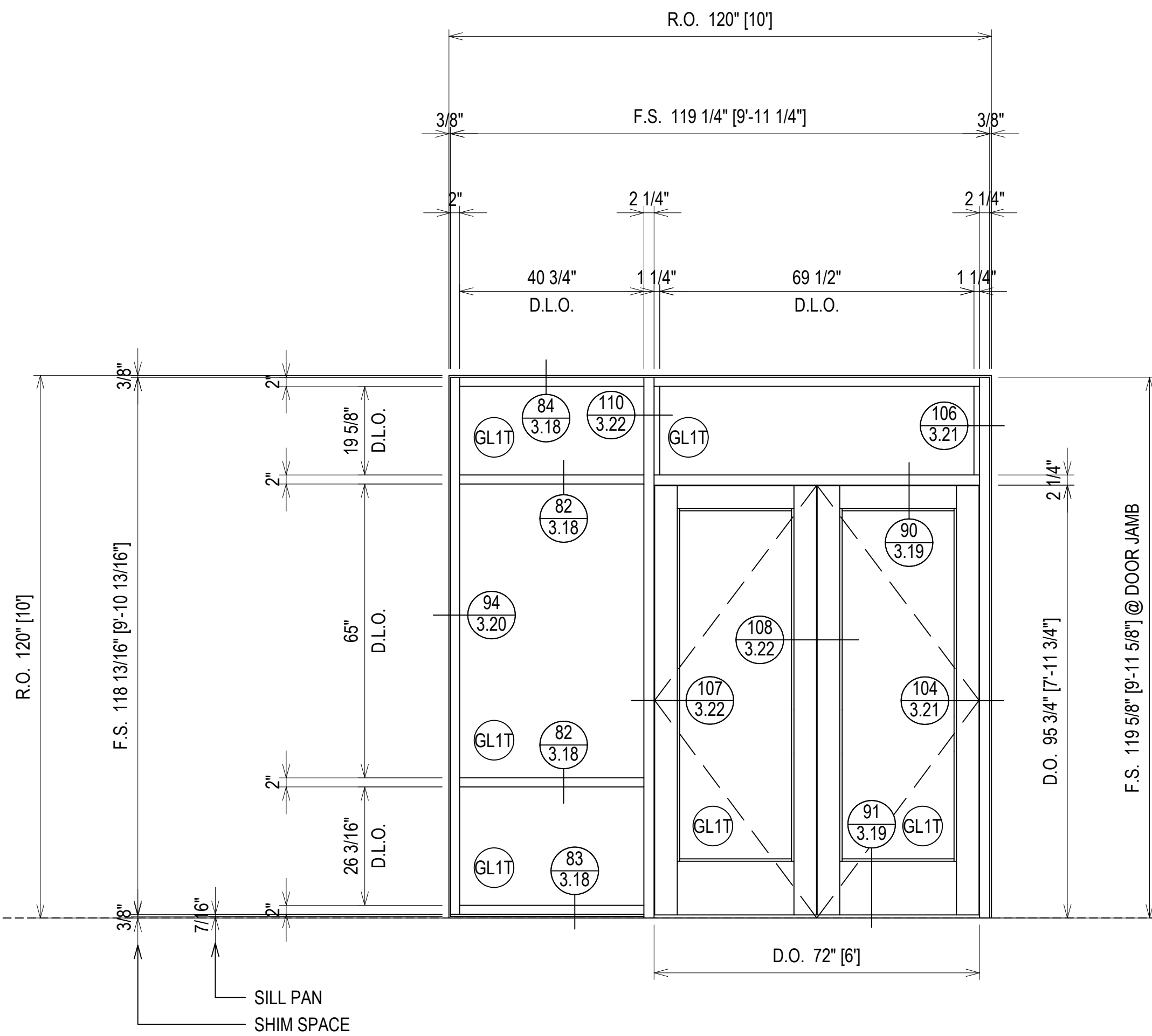
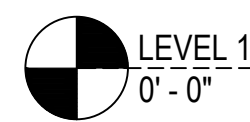
ERECTOR / G.C. NOTE:
 PLEASE FIELD VERIFY ALL DIMENSIONS

1ST SUBMISSION	4.22.21
1ST REVISION	7.14.21
2ND REVISION (ENGINEERING)	7.20.21
NO	NO
DESCRIPTION	DATE
DRAWING SUBMISSION	

GLASS TECH COMMERCIAL GLAZING SERVICES, INC.
 850 WEST STAR STREET
 GREENVILLE, NC 27834
 P: 252.355.9195

PROJECT: NEW HANOVER COUNTY GOVERNMENT CENTER
 LOCATION: 230 GOVERNMENT CENTER DRIVE WILMINGTON, NC 28403
 ARCHITECT: LS3P ASSOCIATES LTD.
 CUSTOMER: GLASS TECH COMMERCIAL GLAZING SERVICES

DRAWN BY:	DATE:
DJ	4.22.21
CHECKED BY:	DATE:
WH	4.22.21



ELEVATION **SF2**
 SCALE: 1/2" = 1'-0"
 YKK YES 45TU - 2" X 4 1/2"
 EXTERIOR STOREFRONT
 1" INSULATED GLASS (CENTER SET)
 QUANTITY: 4

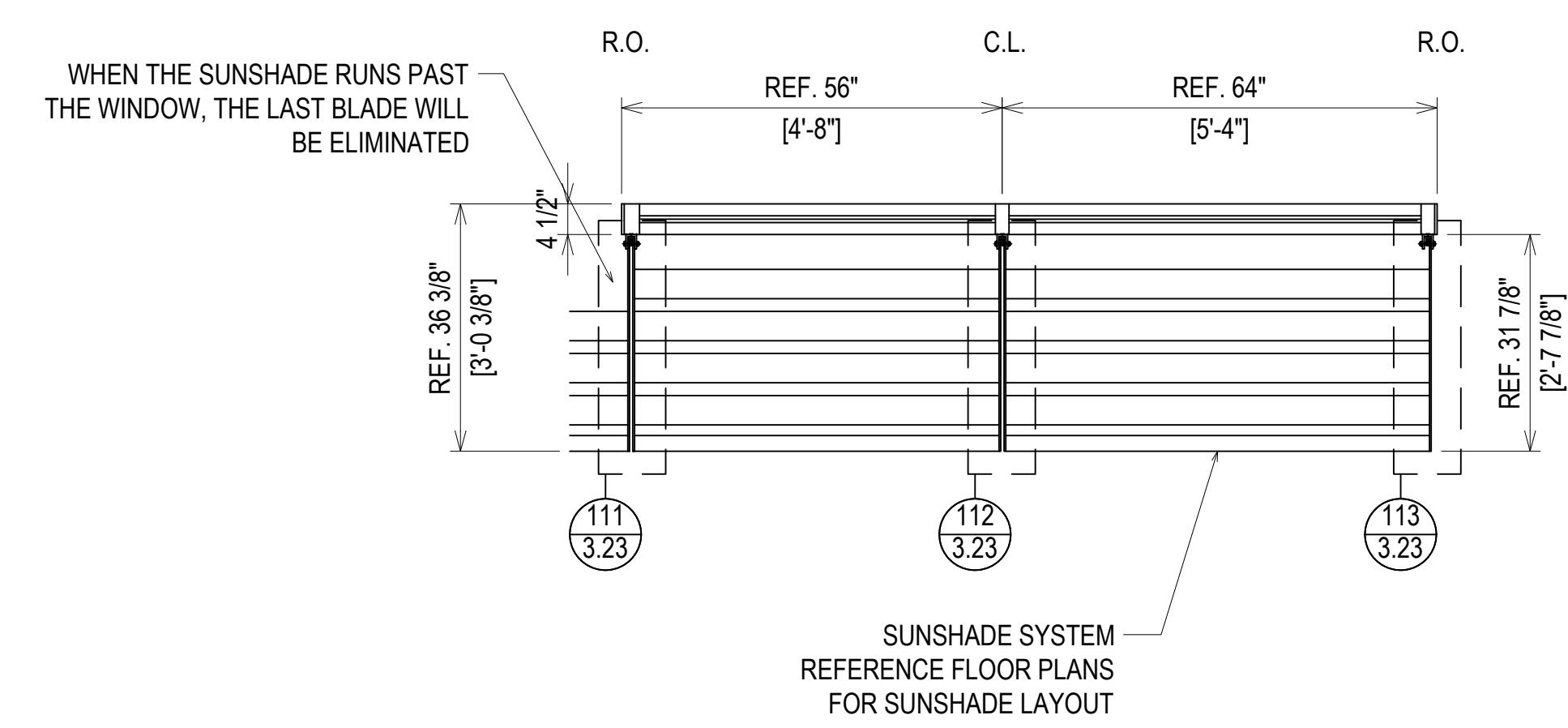
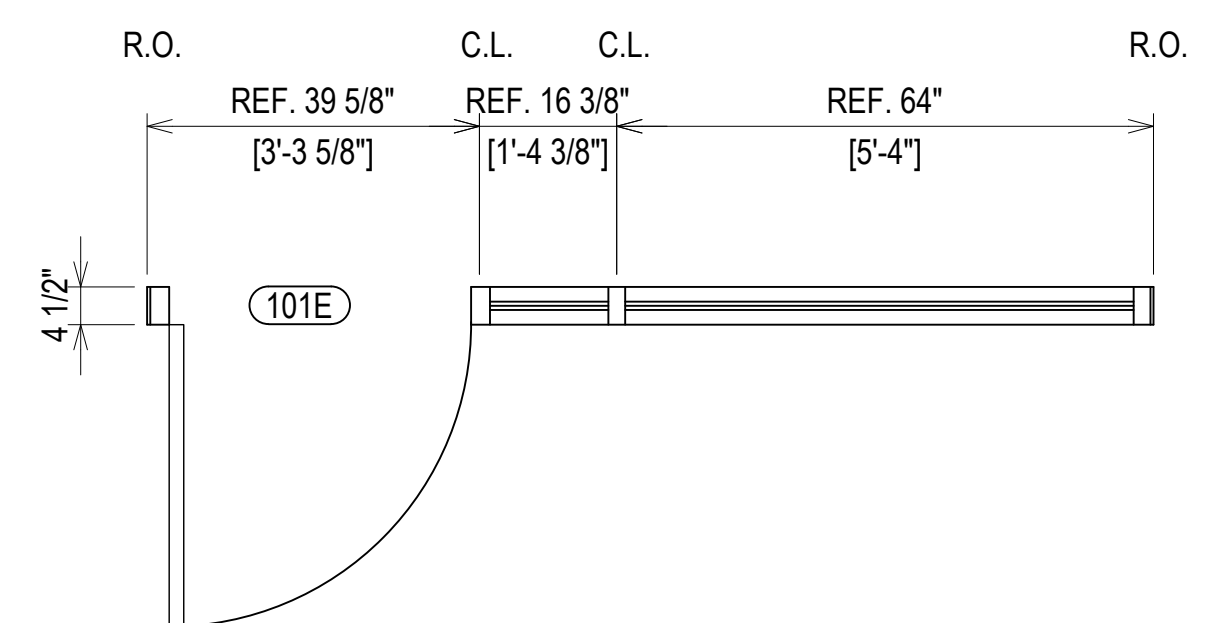
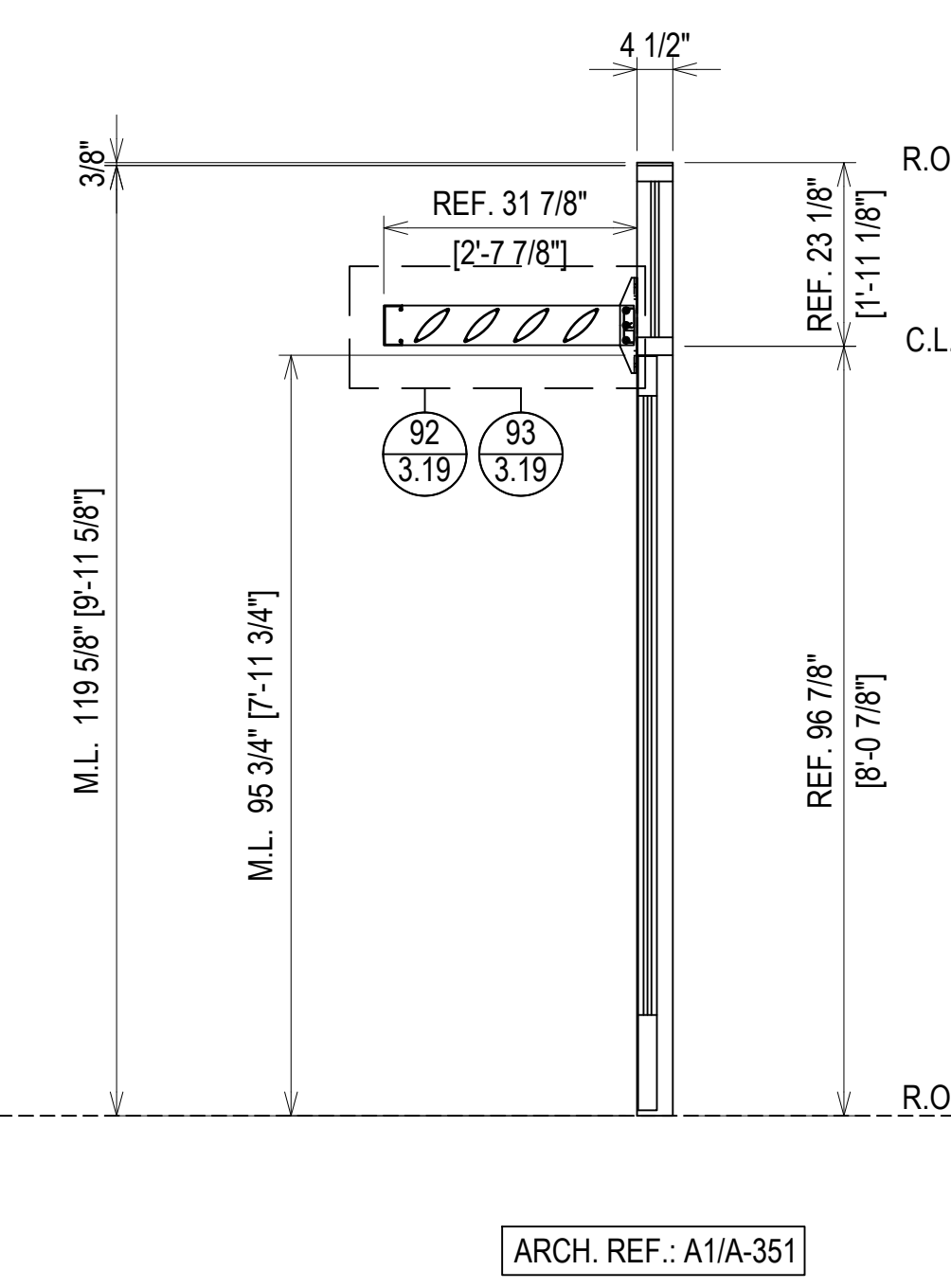
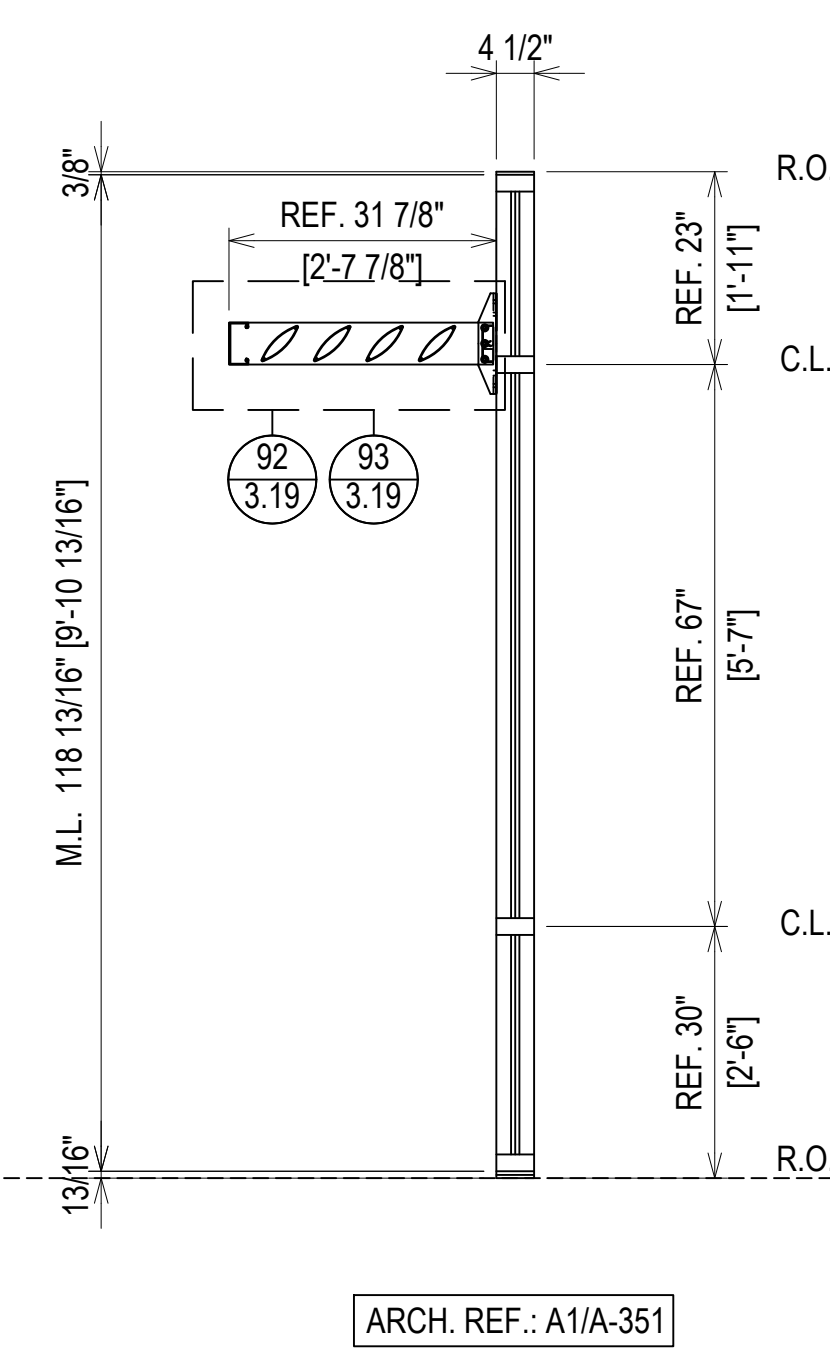
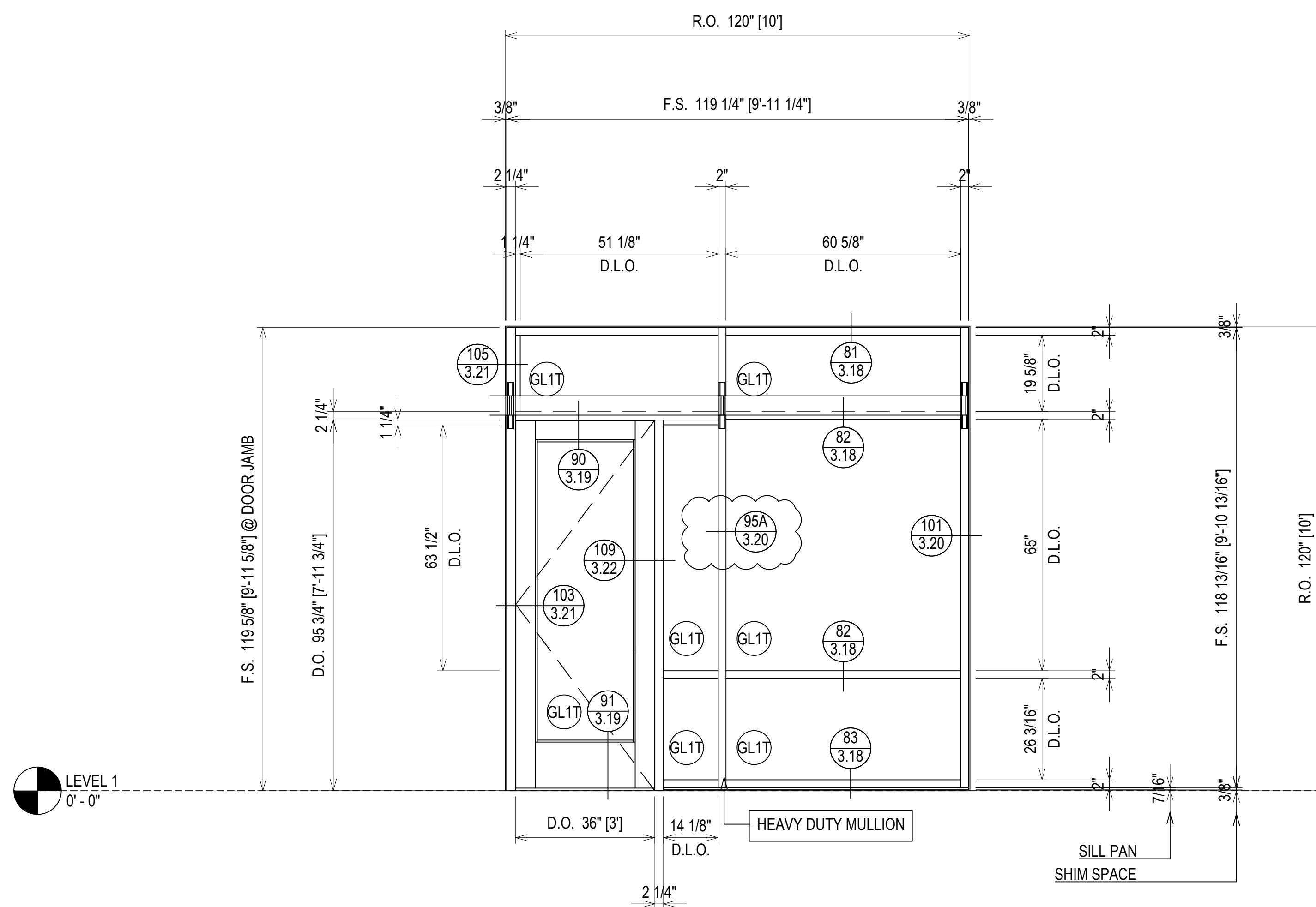
ERECTOR / G.C. NOTE:
 PLEASE FIELD VERIFY ALL DIMENSIONS

1ST SUBMISSION	4.22.21
1ST REVISION	7.14.21
2ND REVISION (ENGINEERING)	7.20.21
NO	NO
DESCRIPTION	DATE
DRAWING SUBMISSION	

GLASS TECH COMMERCIAL GLAZING SERVICES, INC.
 850 WEST STAR STREET
 GREENVILLE, NC 27834
 P: 252.355.9195

PROJECT: NEW HANOVER COUNTY
 GOVERNMENT CENTER
 LOCATION: 230 GOVERNMENT CENTER DRIVE
 WILMINGTON, NC 28403
 ARCHITECT: LS3P ASSOCIATES LTD.
 CUSTOMER: GLASS TECH COMMERCIAL GLAZING SERVICES

DRAWN BY:	DATE:
DJ	4.22.21
CHECKED BY:	DATE:
WH	4.22.21

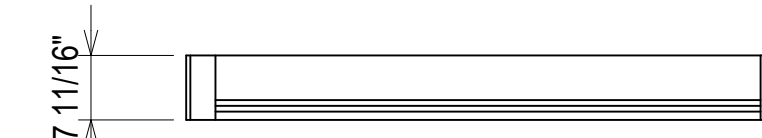
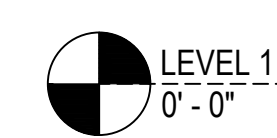
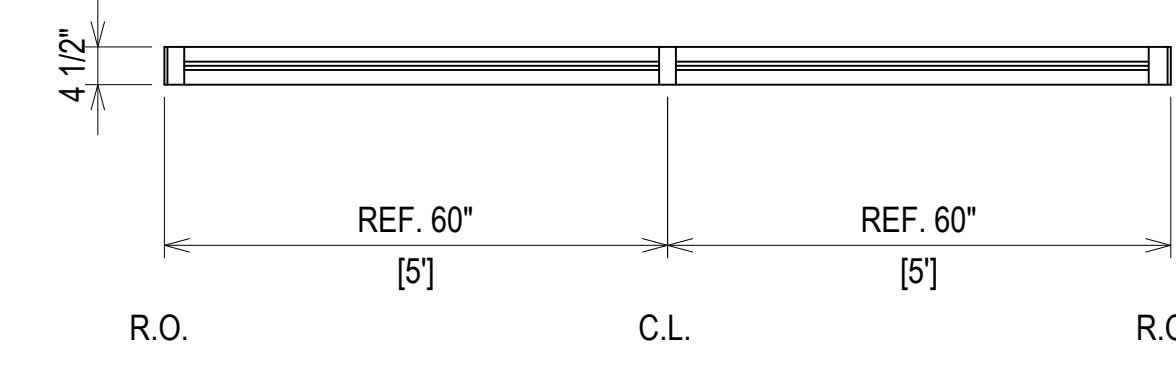
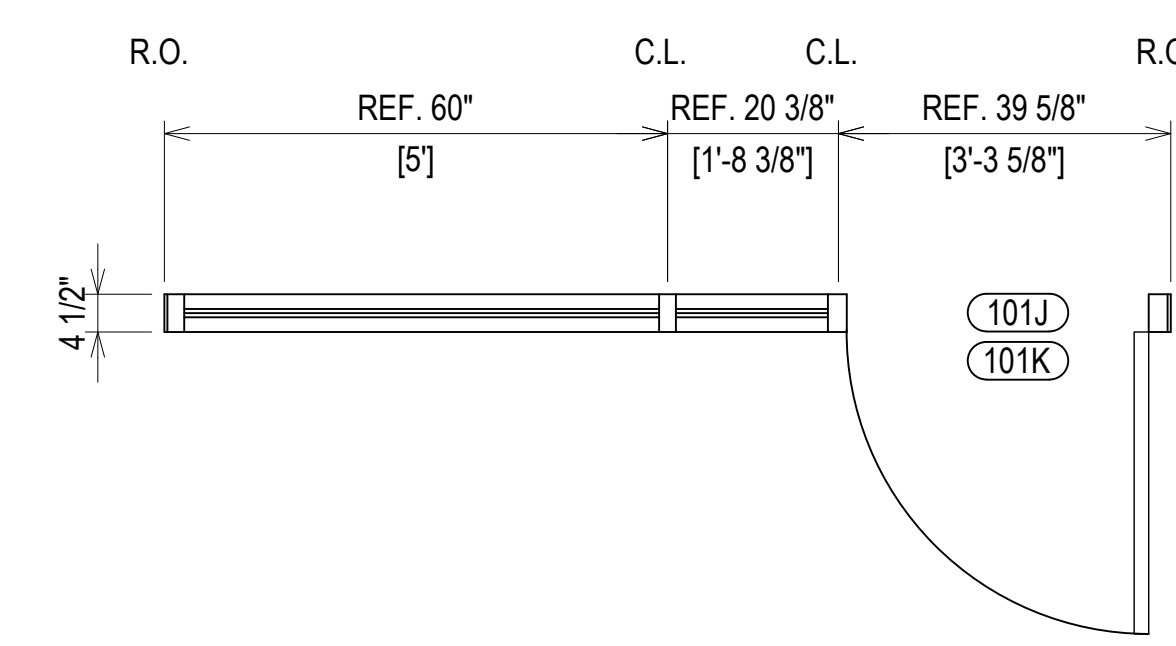
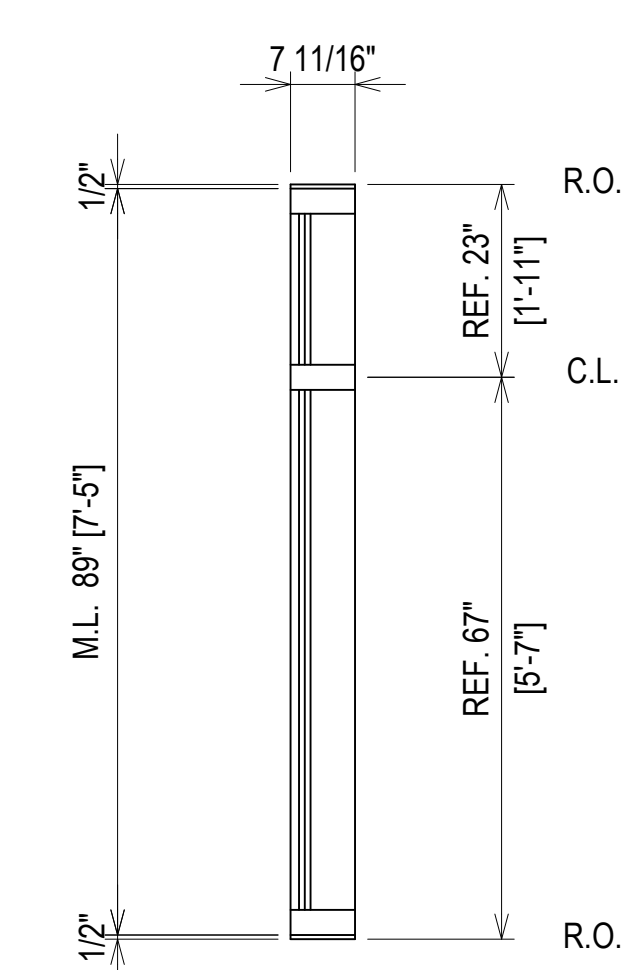
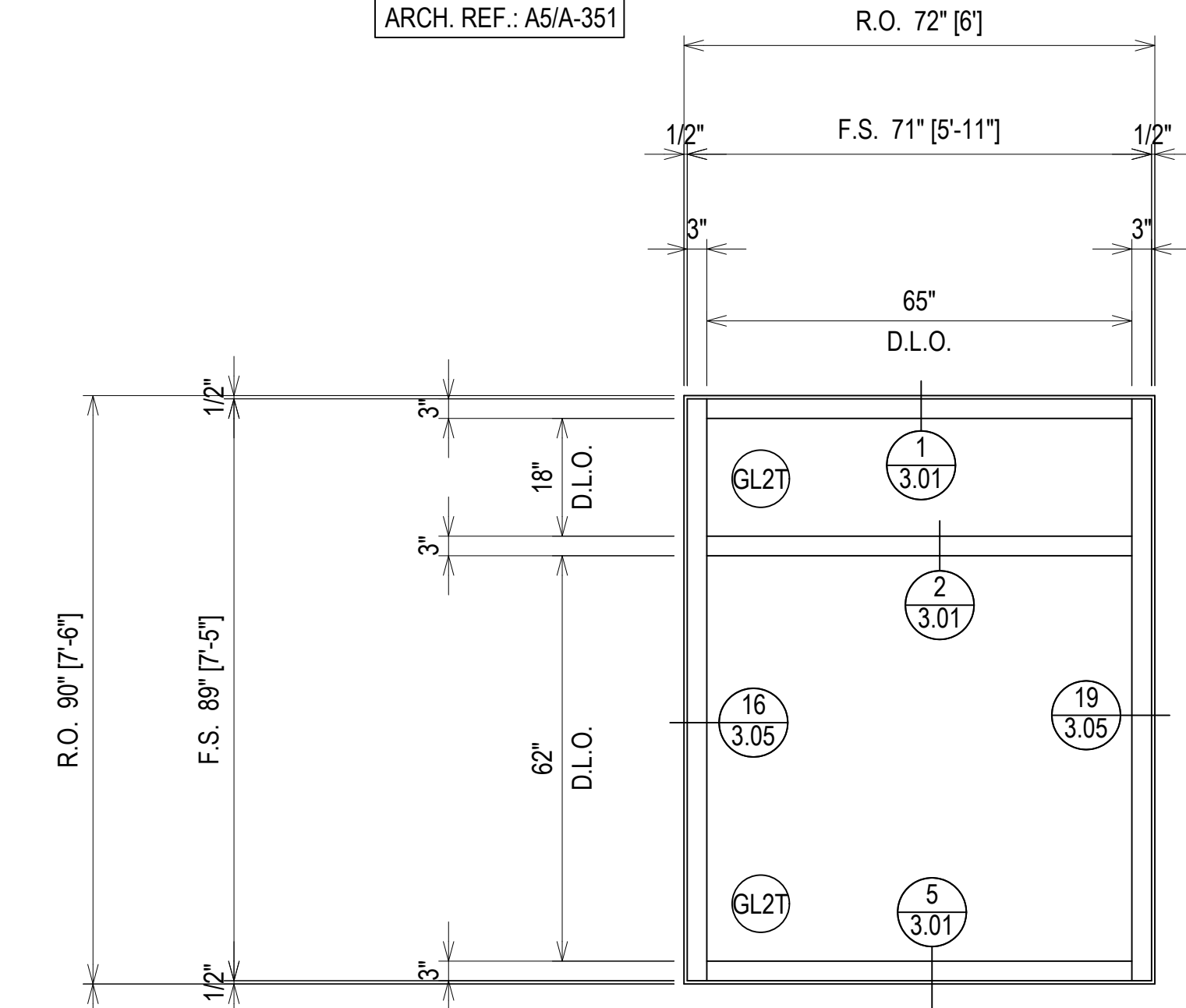
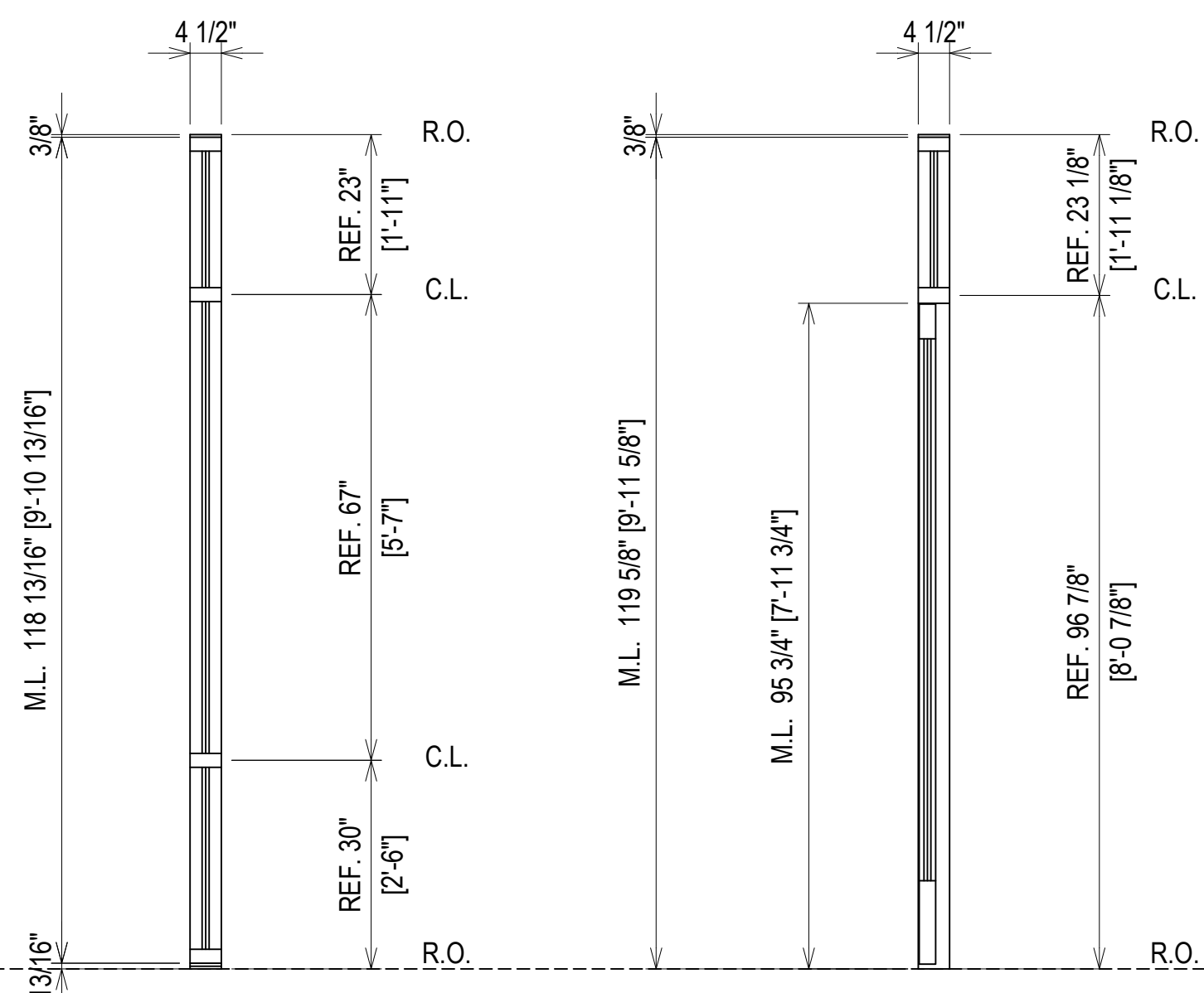
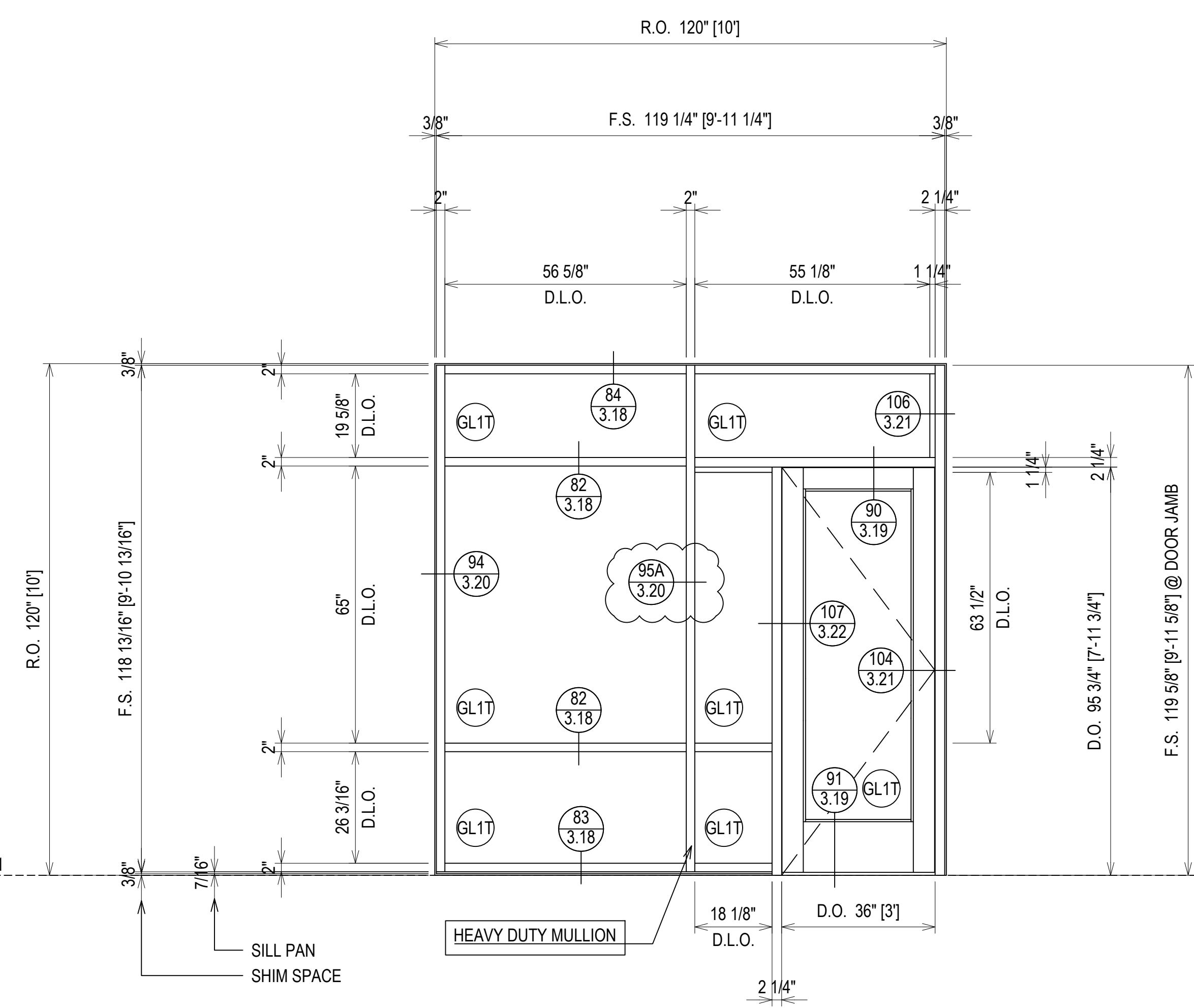


ELEVATION SF3
 SCALE: 1/2" = 1'-0"
 YKK YES 45TU - 2" X 4 1/2"
 EXTERIOR STOREFRONT
 1" INSULATED GLASS (CENTER SET)
 QUANTITY: 1

ERECTOR / G.C. NOTE:
 PLEASE FIELD VERIFY ALL DIMENSIONS

PROJECT: NEW HANOVER COUNTY GOVERNMENT CENTER		4.22.21
LOCATION: 230 GOVERNMENT CENTER DRIVE WILMINGTON, NC 28403		7.14.21
ARCHITECT: LS3P ASSOCIATES LTD.		7.20.21
CUSTOMER: GLASS TECH COMMERCIAL GLAZING SERVICES		
1ST SUBMISSION		
1ST REVISION		
2ND REVISION (ENGINEERING)		
NO	DESCRIPTION	DATE
	DRAWING SUBMISSION	

GLASS TECH COMMERCIAL GLAZING SERVICES, INC.
 850 WEST STAR STREET
 GREENVILLE, NC 27834
 P: 252.355.9195



ELEVATION SF4
 SCALE: 1/2" = 1'-0"
 YKK YES 45TU - 2" X 4 1/2"
 EXTERIOR STOREFRONT
 1" INSULATED GLASS (CENTER SET)
 QUANTITY: 2

ELEVATION SF5
 SCALE: 1/2" = 1'-0"
 YKK YHC 300 OG - 3" X 7 11/16"
 EXTERIOR CURTAIN WALL
 1 5/16" INSULATED GLASS (FRONT SET)
 QUANTITY: 5

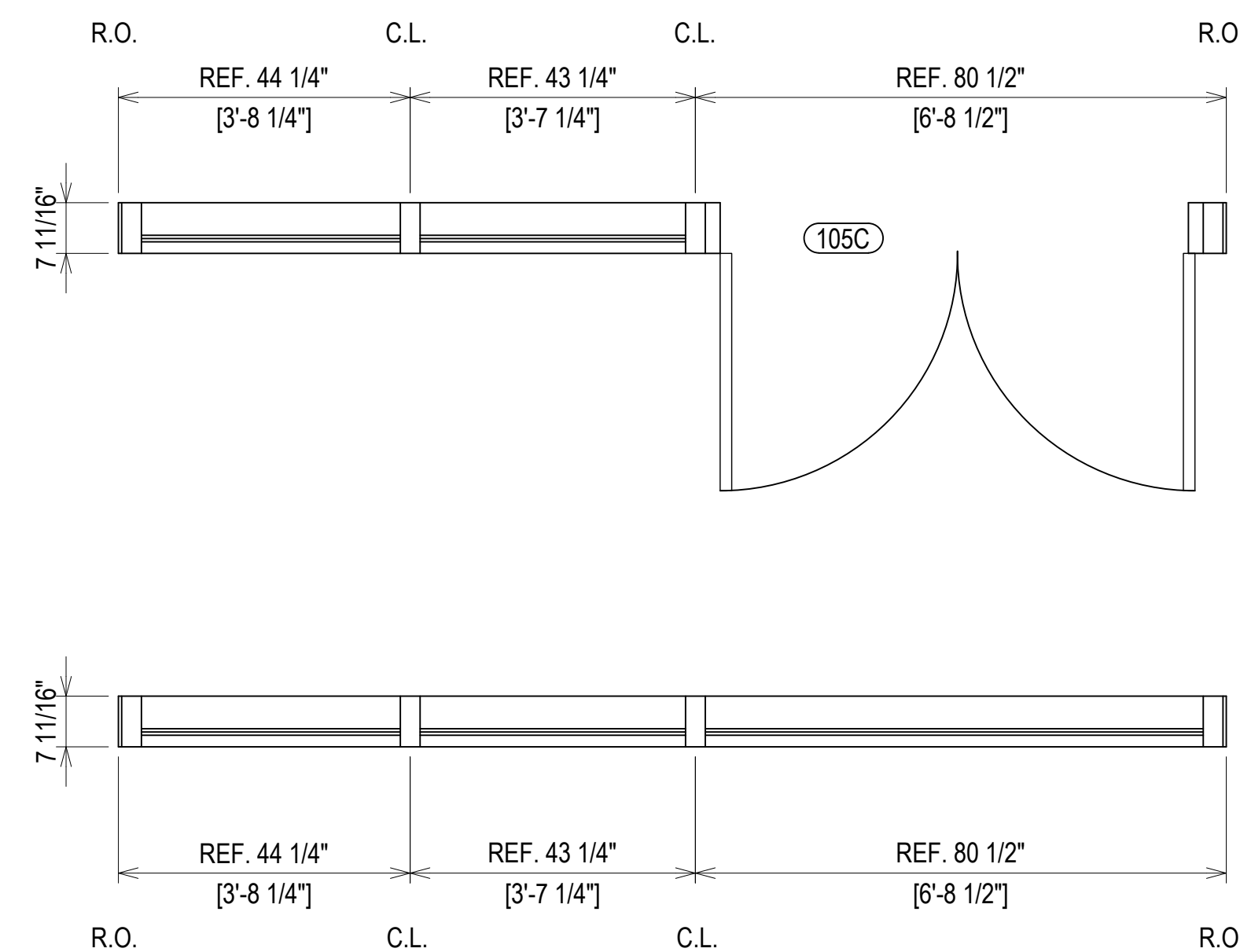
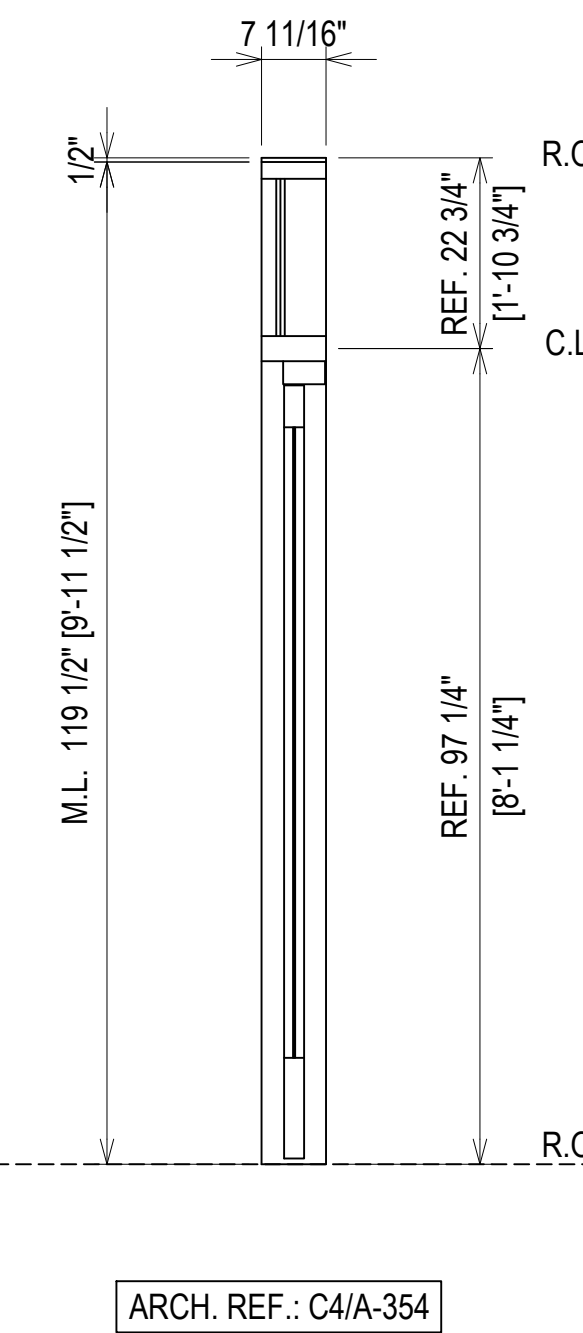
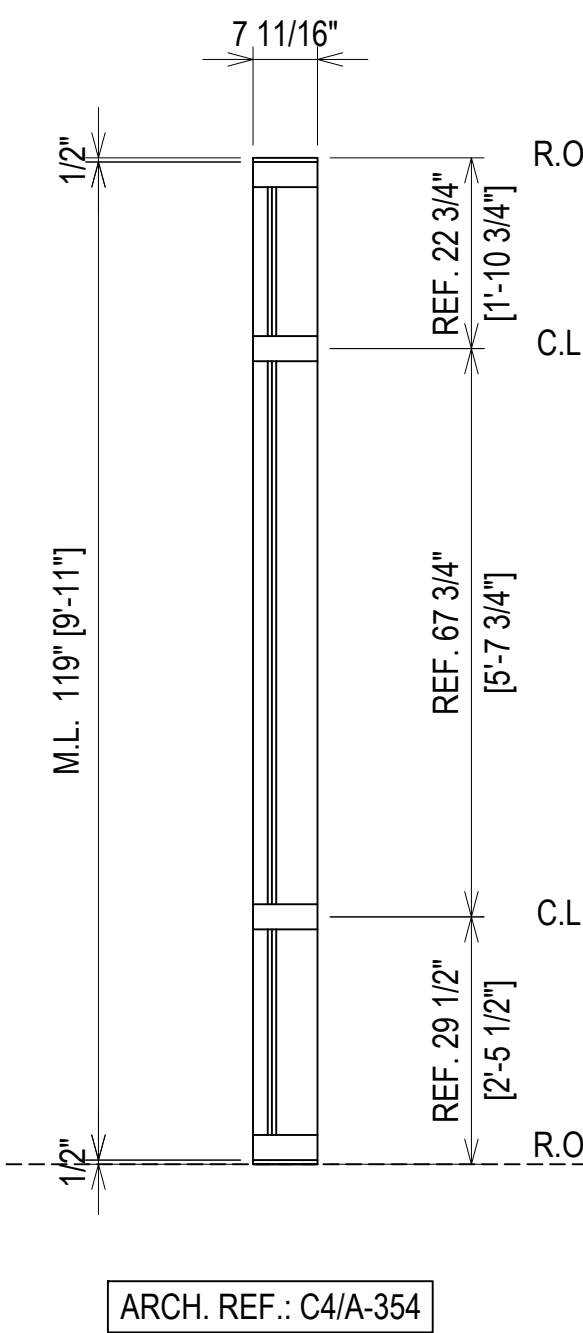
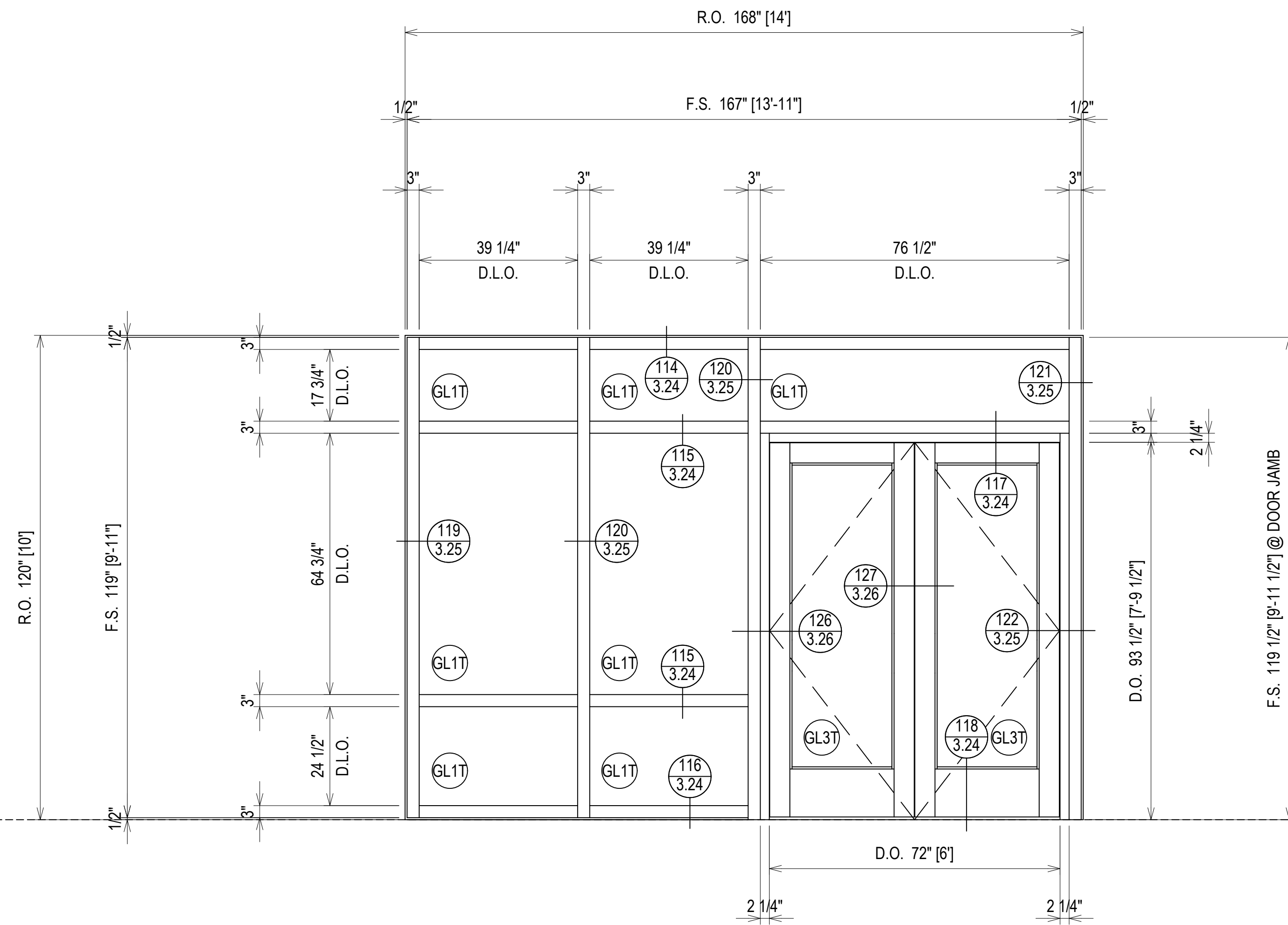
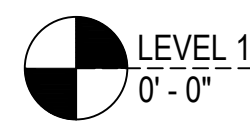
ERECTOR / G.C. NOTE:
 PLEASE FIELD VERIFY ALL DIMENSIONS

1ST SUBMISSION	4.22.21
1ST REVISION	7.14.21
2ND REVISION (ENGINEERING)	7.20.21
NO	NO
DESCRIPTION	DATE
DRAWING SUBMISSION	

GLASS TECH COMMERCIAL GLAZING SERVICES, INC.
 850 WEST STAR STREET
 GREENVILLE, NC 27834
 P: 252.355.9195

PROJECT: NEW HANOVER COUNTY GOVERNMENT CENTER
 LOCATION: 230 GOVERNMENT CENTER DRIVE WILMINGTON, NC 28403
 ARCHITECT: LS3P ASSOCIATES LTD.
 CUSTOMER: GLASS TECH COMMERCIAL GLAZING SERVICES

DRAWN BY:	DATE:
DJ	4.22.21
CHECKED BY:	DATE:
WH	4.22.21



ELEVATION SF6
 SCALE: 1/2" = 1'-0"
 YKK YHC 300 OG - 3" X 7 11/16"
 INTERIOR CURTAIN WALL
 1" INSULATED GLASS (FRONT SET)
 QUANTITY: 1

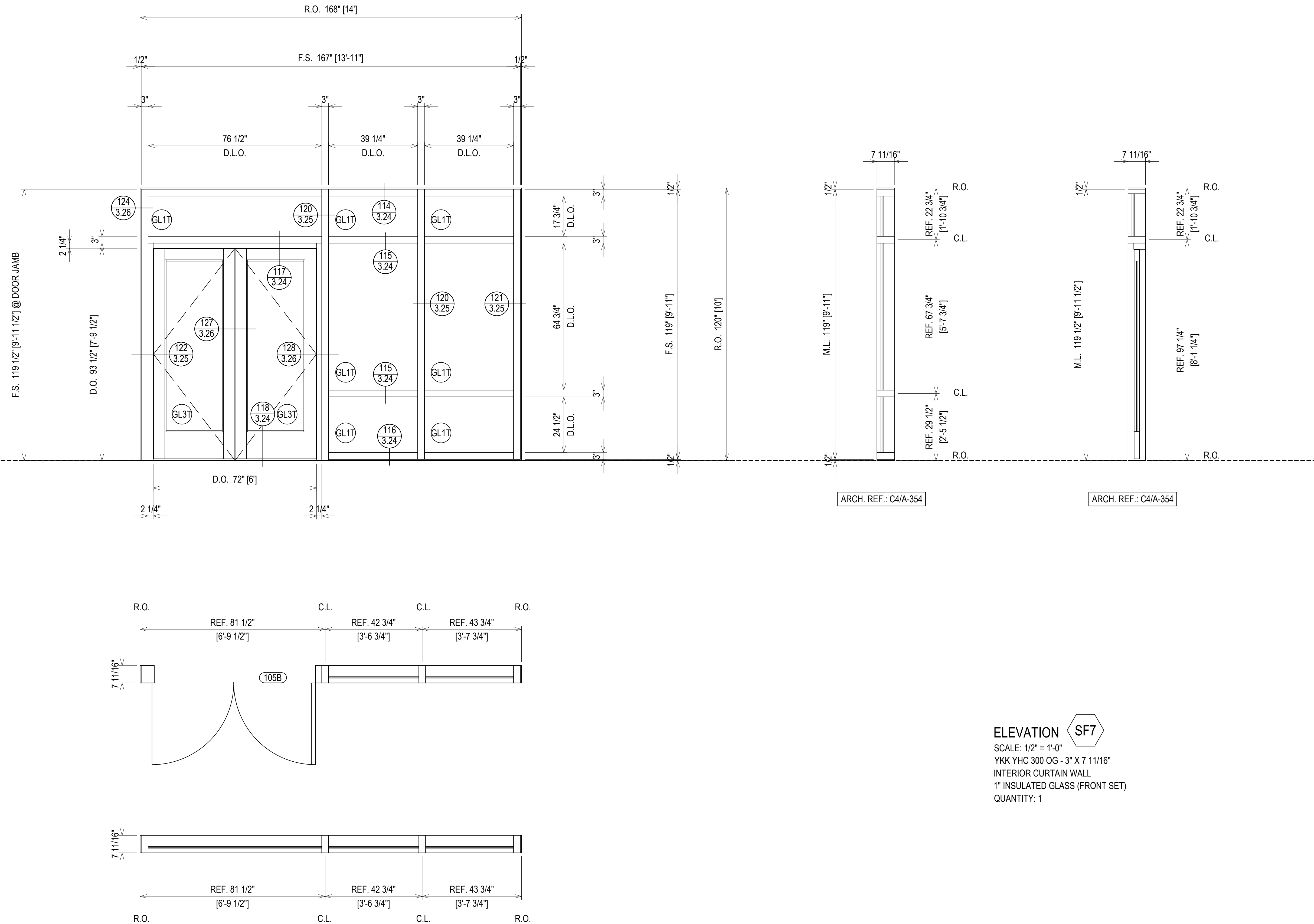
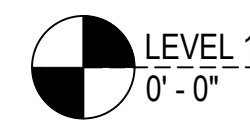
ERECTOR / G.C. NOTE:
 PLEASE FIELD VERIFY ALL DIMENSIONS

1ST SUBMISSION	4.22.21
1ST REVISION	7.14.21
2ND REVISION (ENGINEERING)	7.20.21
NO	DESCRIPTION
NO	DATE
DRAWING SUBMISSION	

GLASS TECH COMMERCIAL GLAZING SERVICES, INC.
 850 WEST STAR STREET
 GREENVILLE, NC 27834
 P: 252.355.9195

PROJECT: NEW HANOVER COUNTY
 GOVERNMENT CENTER
 LOCATION: 230 GOVERNMENT CENTER DRIVE
 WILMINGTON, NC 28403
 ARCHITECT: LS3P ASSOCIATES LTD.
 CUSTOMER: GLASS TECH COMMERCIAL GLAZING SERVICES

DRAWN BY:	DATE:
DJ	4.22.21
CHECKED BY:	DATE:
WH	4.22.21



ELEVATION **SF7**
 SCALE: 1/2" = 1'-0"
 YKK YHC 300 OG - 3" X 7 11/16"
 INTERIOR CURTAIN WALL
 1" INSULATED GLASS (FRONT SET)
 QUANTITY: 1

ERECTOR / G.C. NOTE:
 PLEASE FIELD VERIFY ALL DIMENSIONS

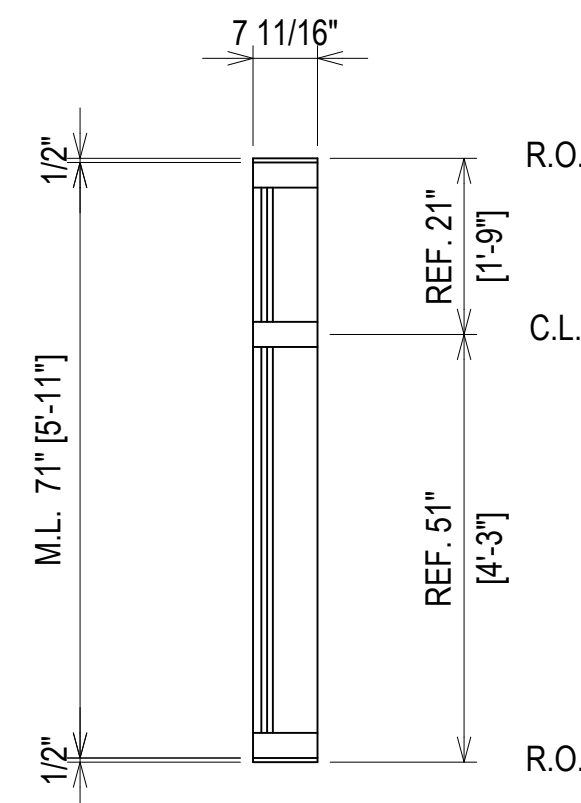
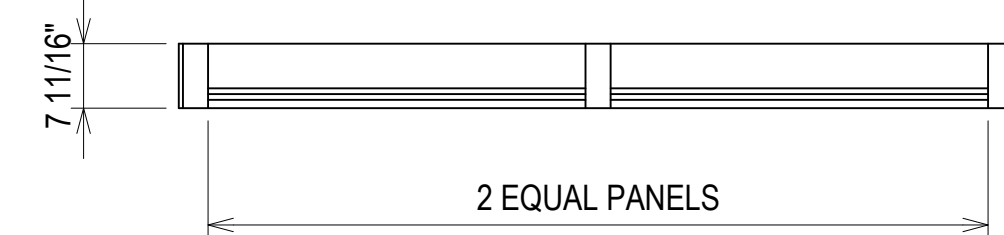
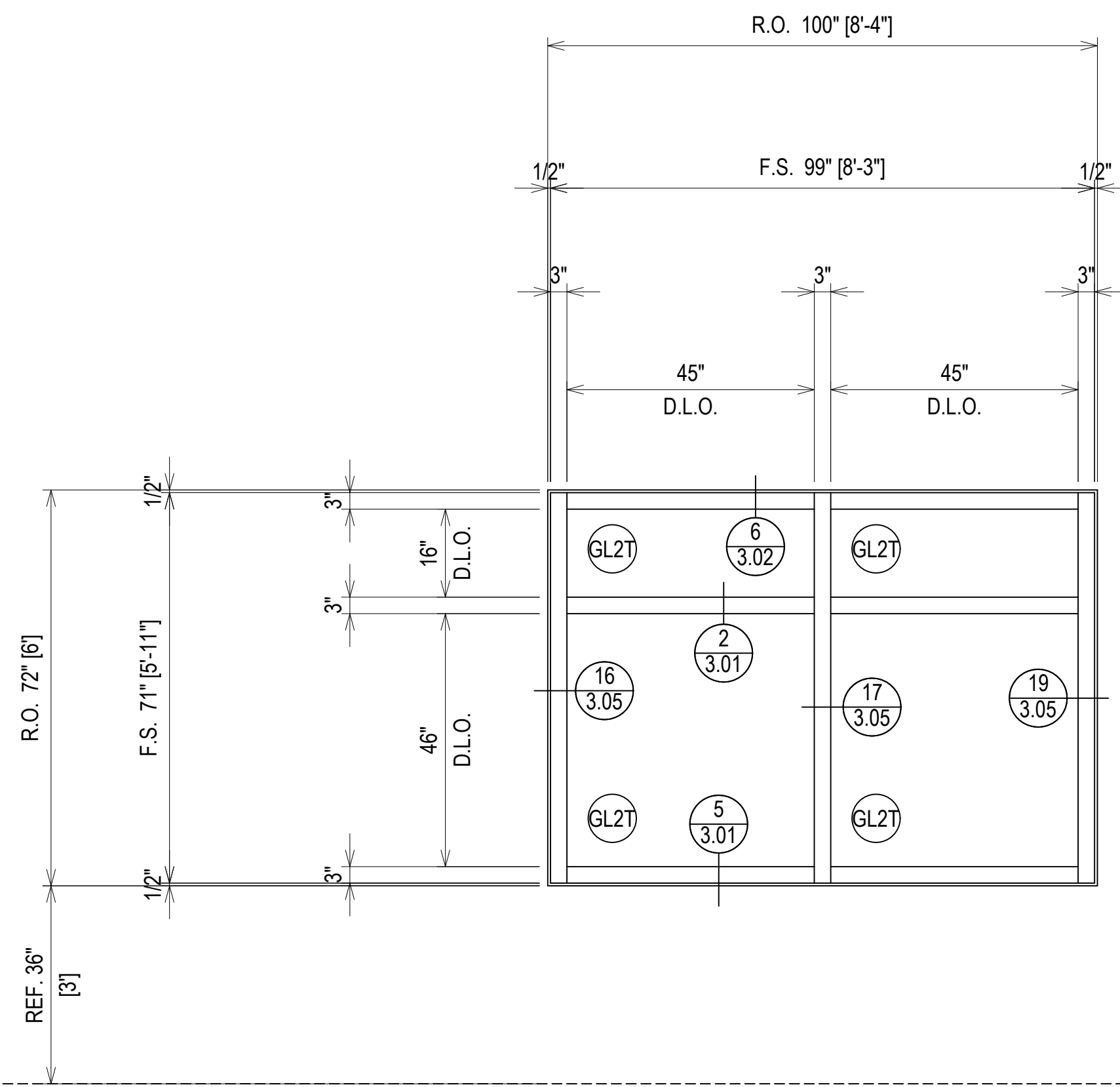
1ST SUBMISSION	4.22.21
1ST REVISION	7.14.21
2ND REVISION (ENGINEERING)	7.20.21
NO	DESCRIPTION
NO	DATE
DRAWING SUBMISSION	

GLASS TECH COMMERCIAL GLAZING SERVICES, INC.
 850 WEST STAR STREET
 GREENVILLE, NC 27834
 P: 252.355.9195

PROJECT: NEW HANOVER COUNTY
 GOVERNMENT CENTER
 LOCATION: 230 GOVERNMENT CENTER DRIVE
 WILMINGTON, NC 28403
 ARCHITECT: LS3P ASSOCIATES LTD.
 CUSTOMER: GLASS TECH COMMERCIAL GLAZING SERVICES

DRAWN BY:	DATE:
DJ	4.22.21
CHECKED BY:	DATE:
WH	4.22.21

LEVEL 1
0' - 0"
LEVEL 2
16' - 8"

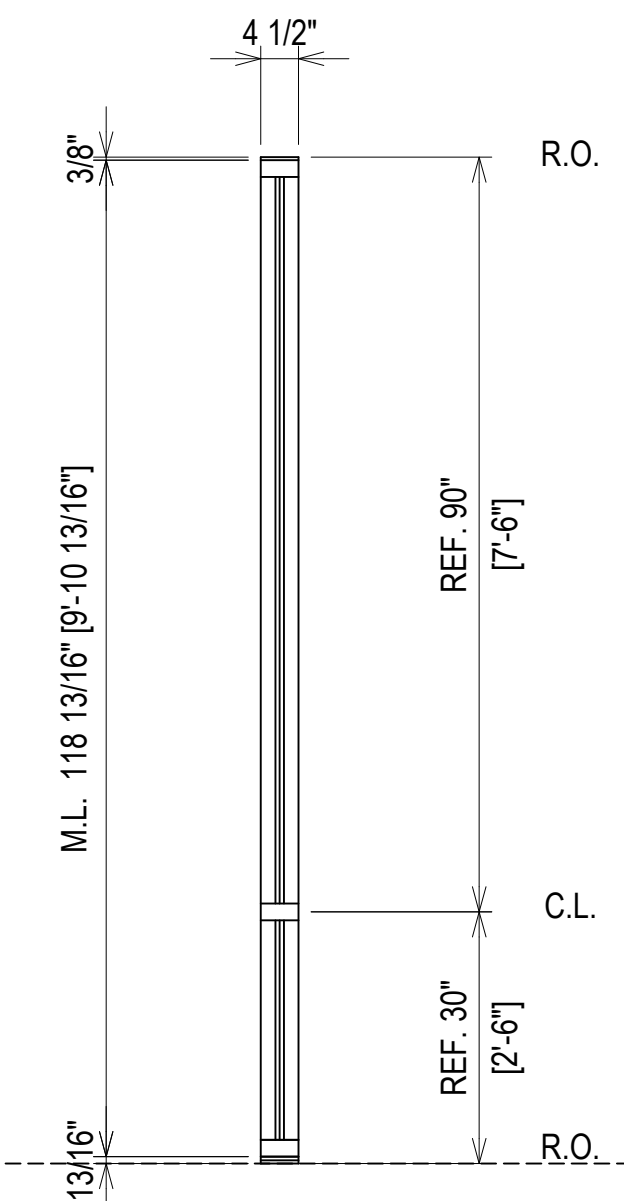
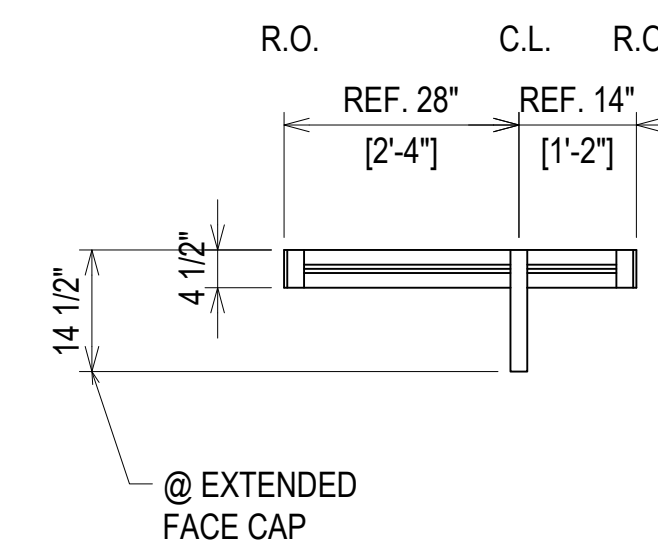
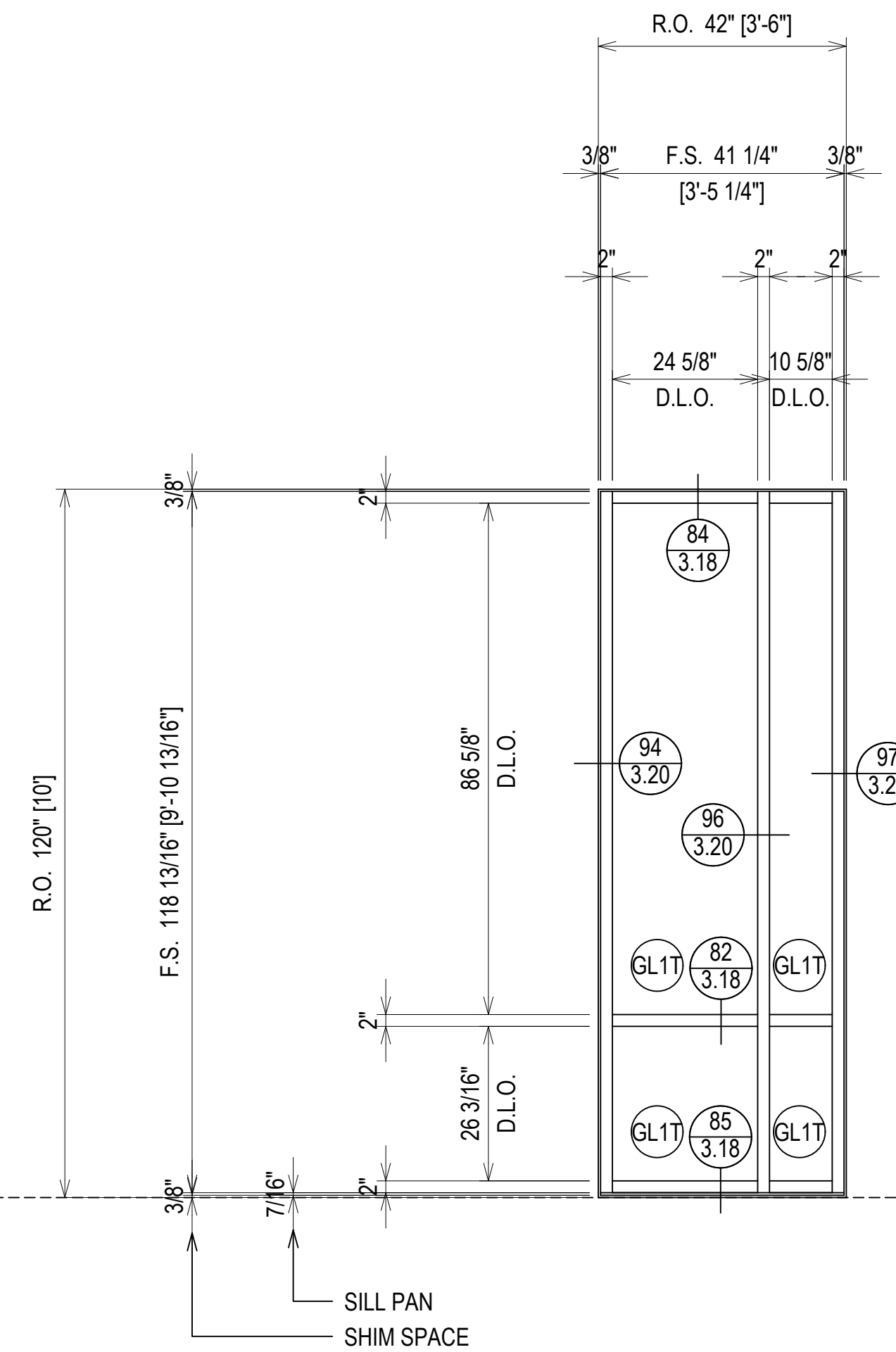


ARCH. REF.: A1/A-353

ELEVATION SF8

SCALE: 1/2" = 1'-0"
YKK YHC 300 OG - 3" X 7 11/16"
EXTERIOR CURTAIN WALL
1 5/16" INSULATED GLASS (FRONT SET)
QUANTITY: 5

LEVEL 2
16' - 8"
LEVEL 3
31' - 4"
LEVEL 4
46' - 0"



ARCH. REF.: A4/A-351

ELEVATION SF9

SCALE: 1/2" = 1'-0"
YKK YES 45TU - 2" X 4 1/2"
EXTERIOR STOREFRONT
1" INSULATED GLASS (CENTER SET)
QUANTITY: 63

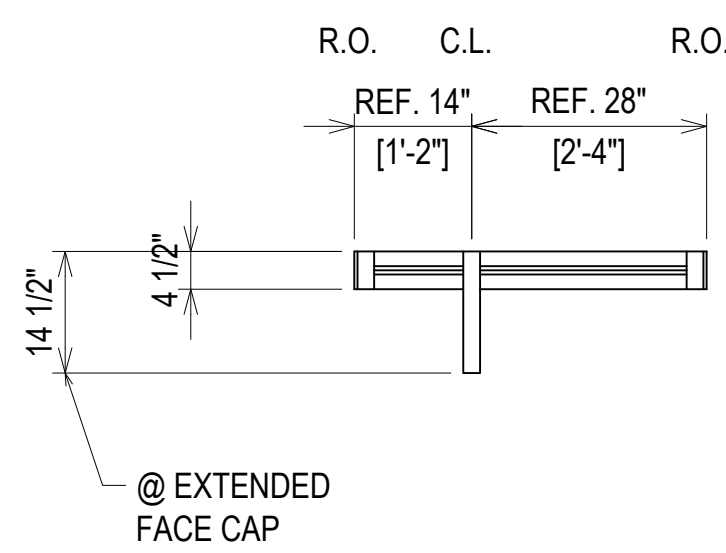
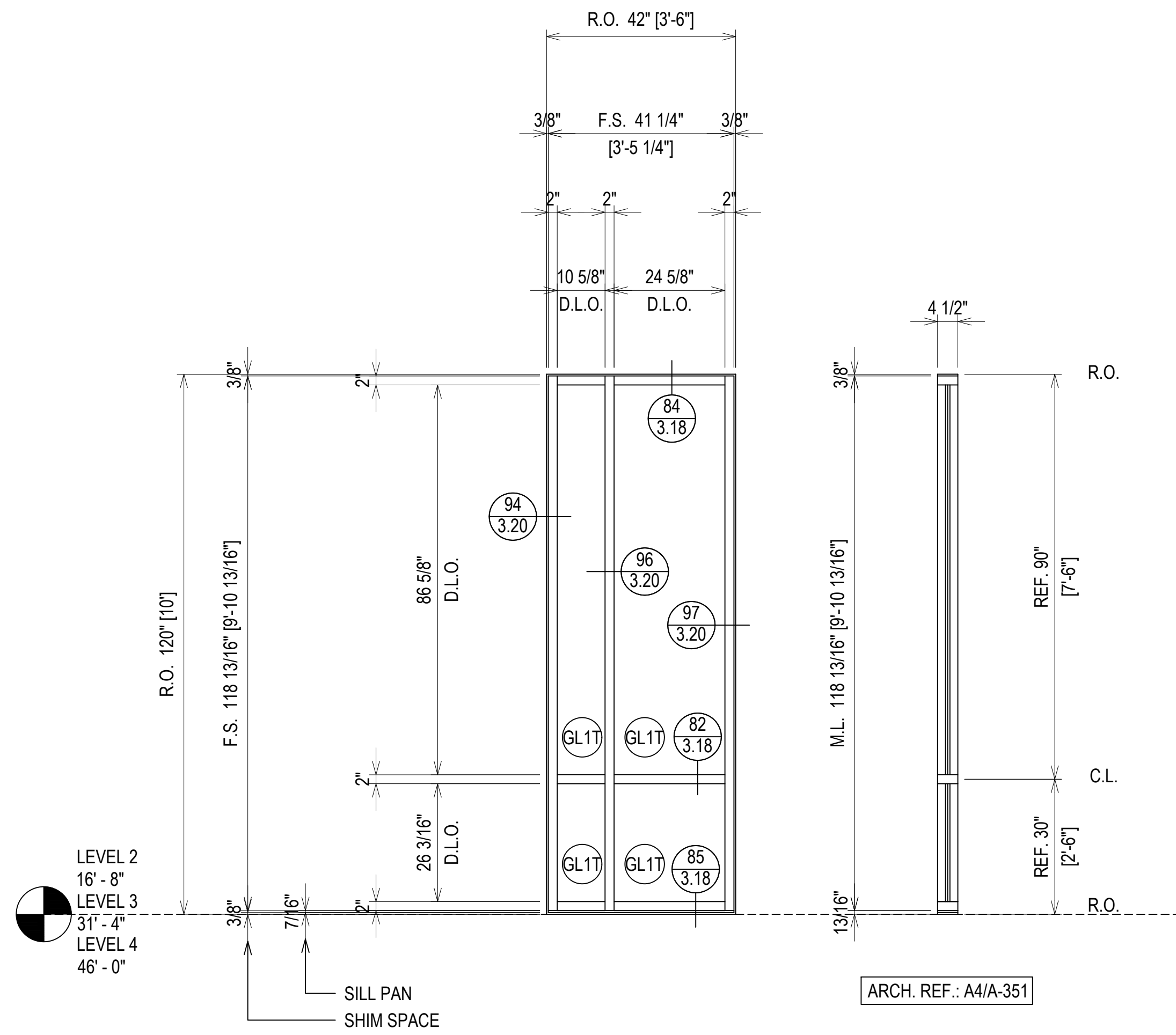
1ST SUBMISSION	4.22.21
1ST REVISION	7.14.21
2ND REVISION (ENGINEERING)	7.20.21
NO	DESCRIPTION
NO	DATE
DRAWING SUBMISSION	

GLASS TECH COMMERCIAL GLAZING SERVICES, INC.
850 WEST STAR STREET
GREENVILLE, NC 27834
P: 252.355.9195

PROJECT: NEW HANOVER COUNTY
GOVERNMENT CENTER
LOCATION: 230 GOVERNMENT CENTER DRIVE
WILMINGTON, NC 28403
ARCHITECT: LS3P ASSOCIATES LTD.
CUSTOMER: GLASS TECH COMMERCIAL GLAZING SERVICES

DRAWN BY:	DATE:
DJ	4.22.21
CHECKED BY:	DATE:
WH	4.22.21

ERECTOR / G.C. NOTE:
PLEASE FIELD VERIFY ALL DIMENSIONS

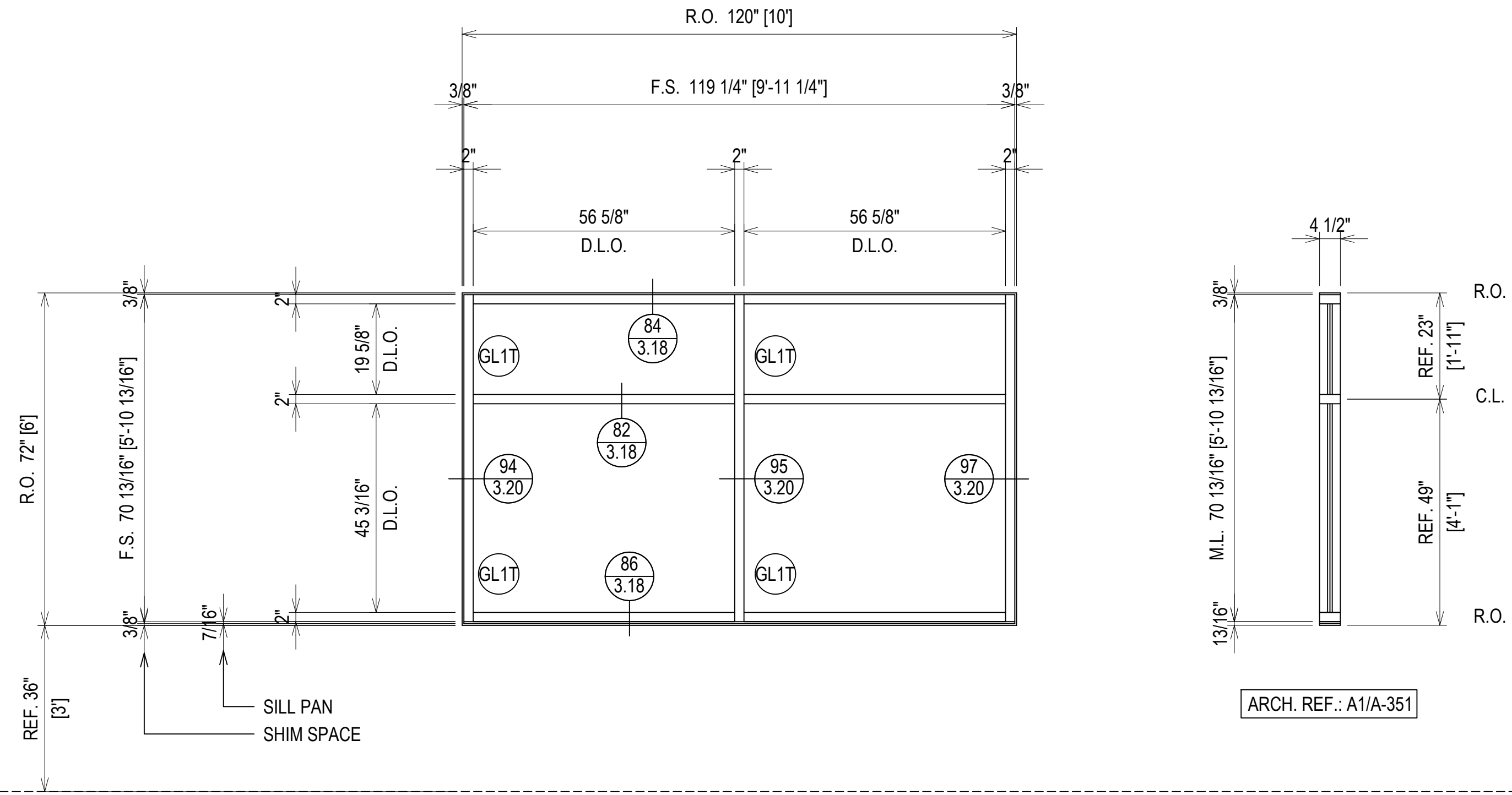


ELEVATION SF10
SCALE: 1/2" = 1'-0"
YKK YES 45TU - 2" X 4 1/2"
EXTERIOR STOREFRONT
1" INSULATED GLASS (CENTER SET)
QUANTITY: 59

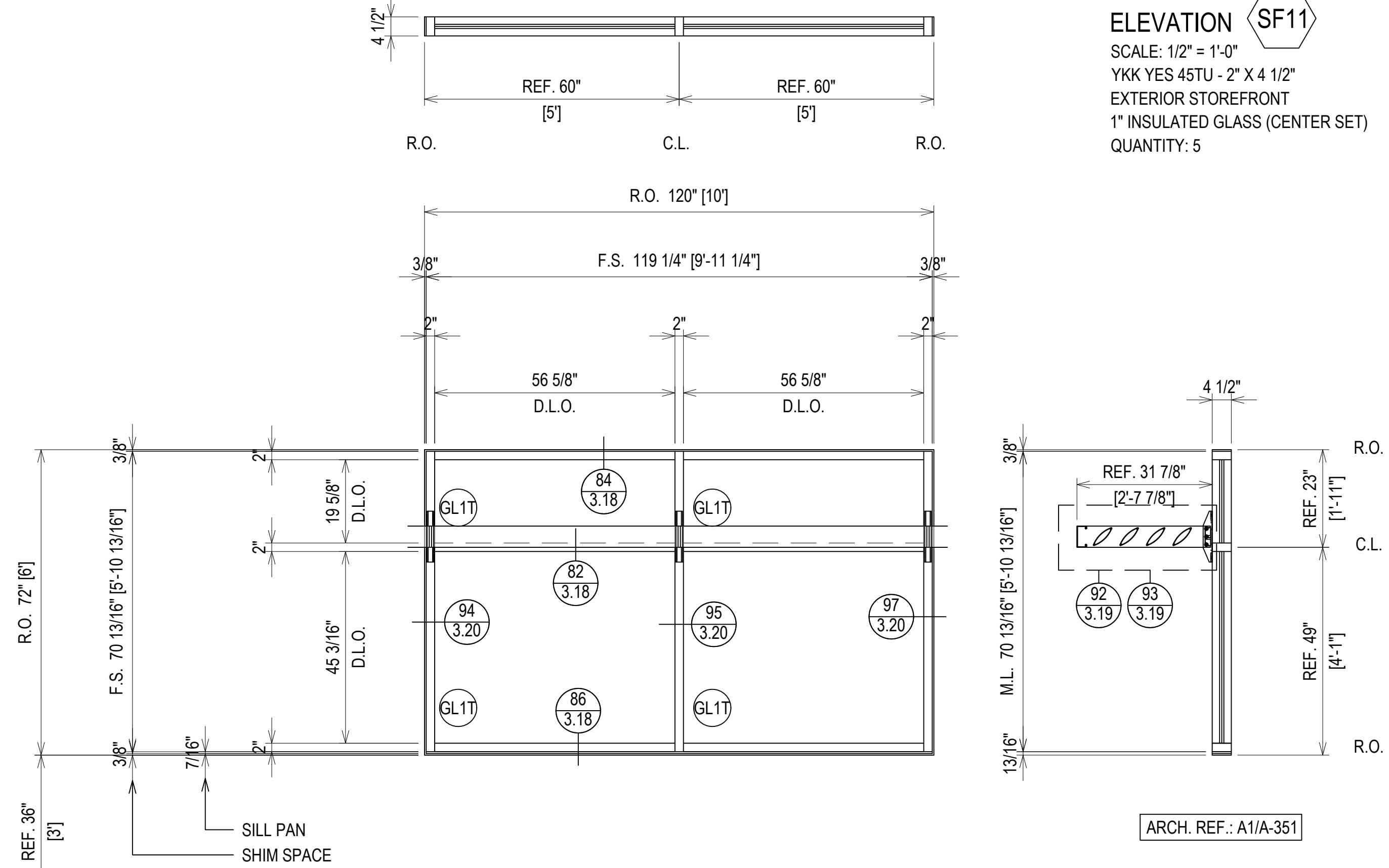
LEVEL 2
16'-8"

LEVEL 3
31'-4"

LEVEL 4
46'-0"



ELEVATION SF11
SCALE: 1/2" = 1'-0"
YKK YES 45TU - 2" X 4 1/2"
EXTERIOR STOREFRONT
1" INSULATED GLASS (CENTER SET)
QUANTITY: 5

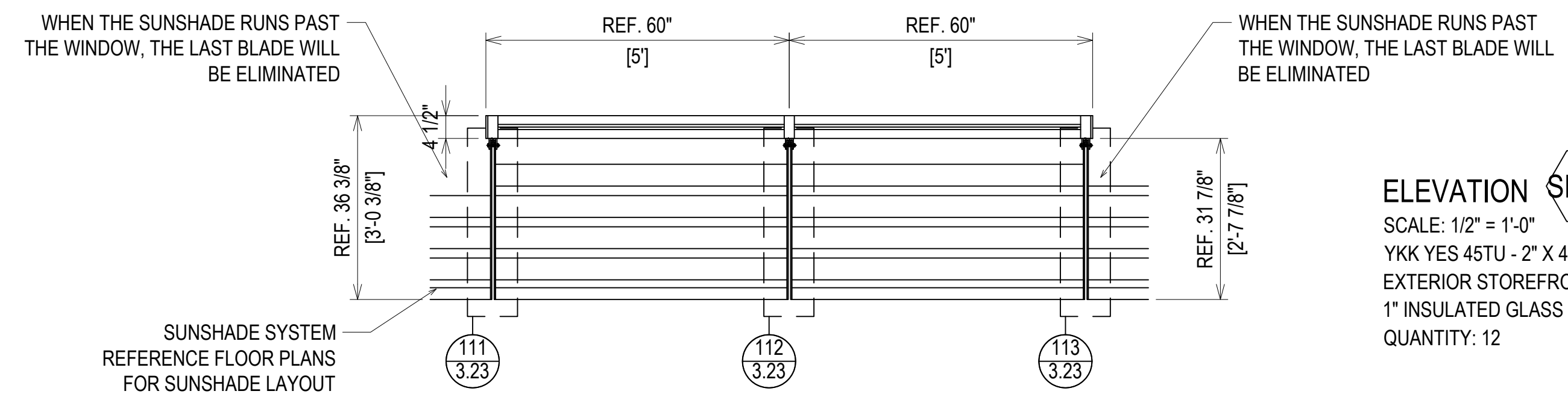


ELEVATION SF11A
SCALE: 1/2" = 1'-0"
YKK YES 45TU - 2" X 4 1/2"
EXTERIOR STOREFRONT
1" INSULATED GLASS (CENTER SET)
QUANTITY: 12

LEVEL 2
16'-8"

LEVEL 3
31'-4"

LEVEL 4
46'-0"



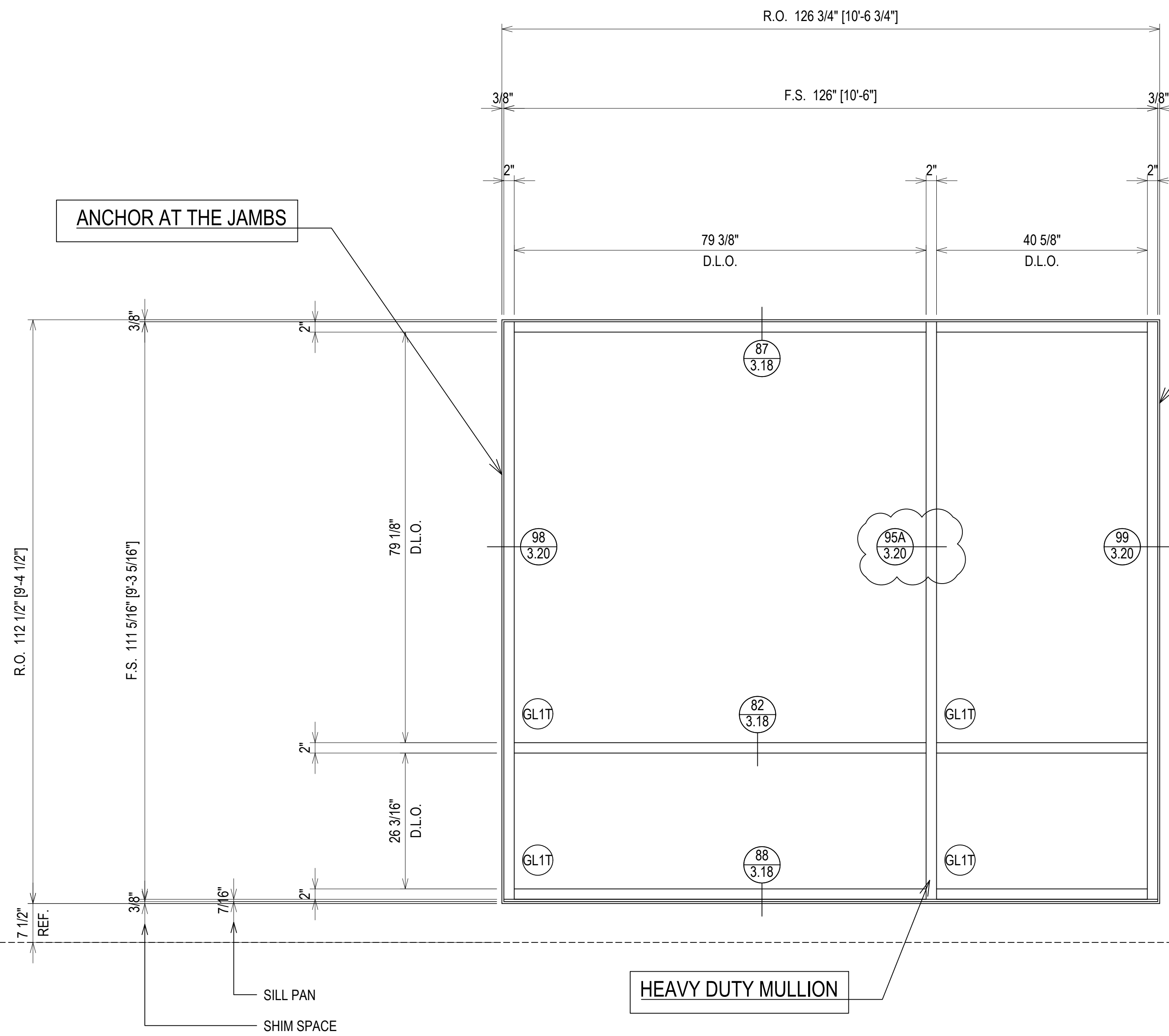
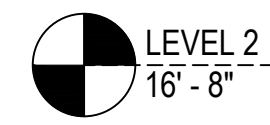
ERECTOR / G.C. NOTE:
PLEASE FIELD VERIFY ALL DIMENSIONS

1ST SUBMISSION	4.22.21
1ST REVISION	7.14.21
2ND REVISION (ENGINEERING)	7.20.21
NO	NO
DESCRIPTION	DATE
DRAWING SUBMISSION	

GLASS TECH COMMERCIAL GLAZING SERVICES, INC.
850 WEST STAR STREET
GREENVILLE, NC 27834
P: 252.355.9195

PROJECT: NEW HANOVER COUNTY GOVERNMENT CENTER
LOCATION: 230 GOVERNMENT CENTER DRIVE WILMINGTON, NC 28403
ARCHITECT: LS3P ASSOCIATES LTD.
CUSTOMER: GLASS TECH COMMERCIAL GLAZING SERVICES

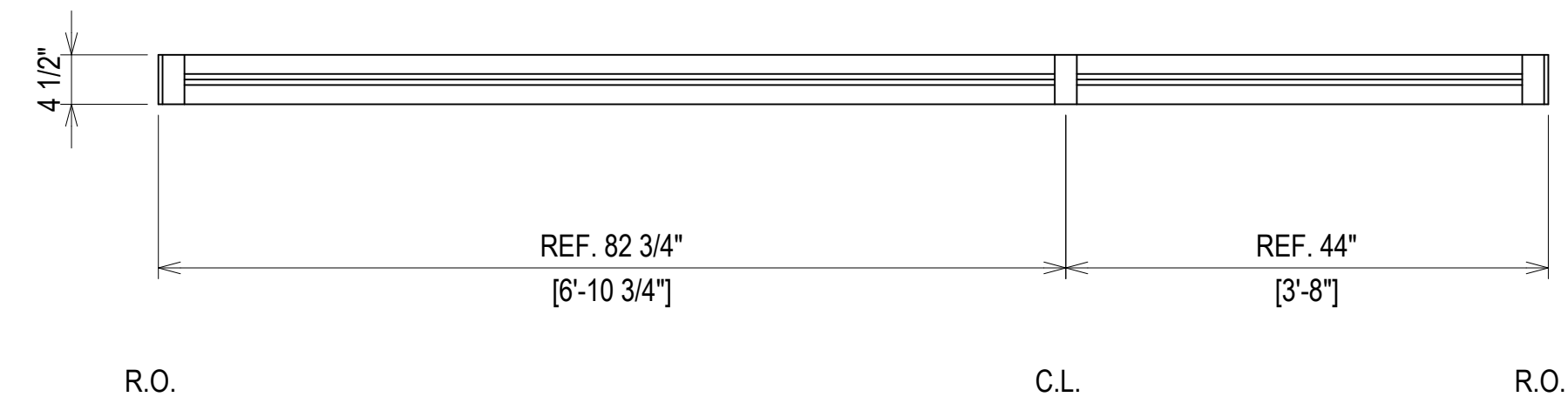
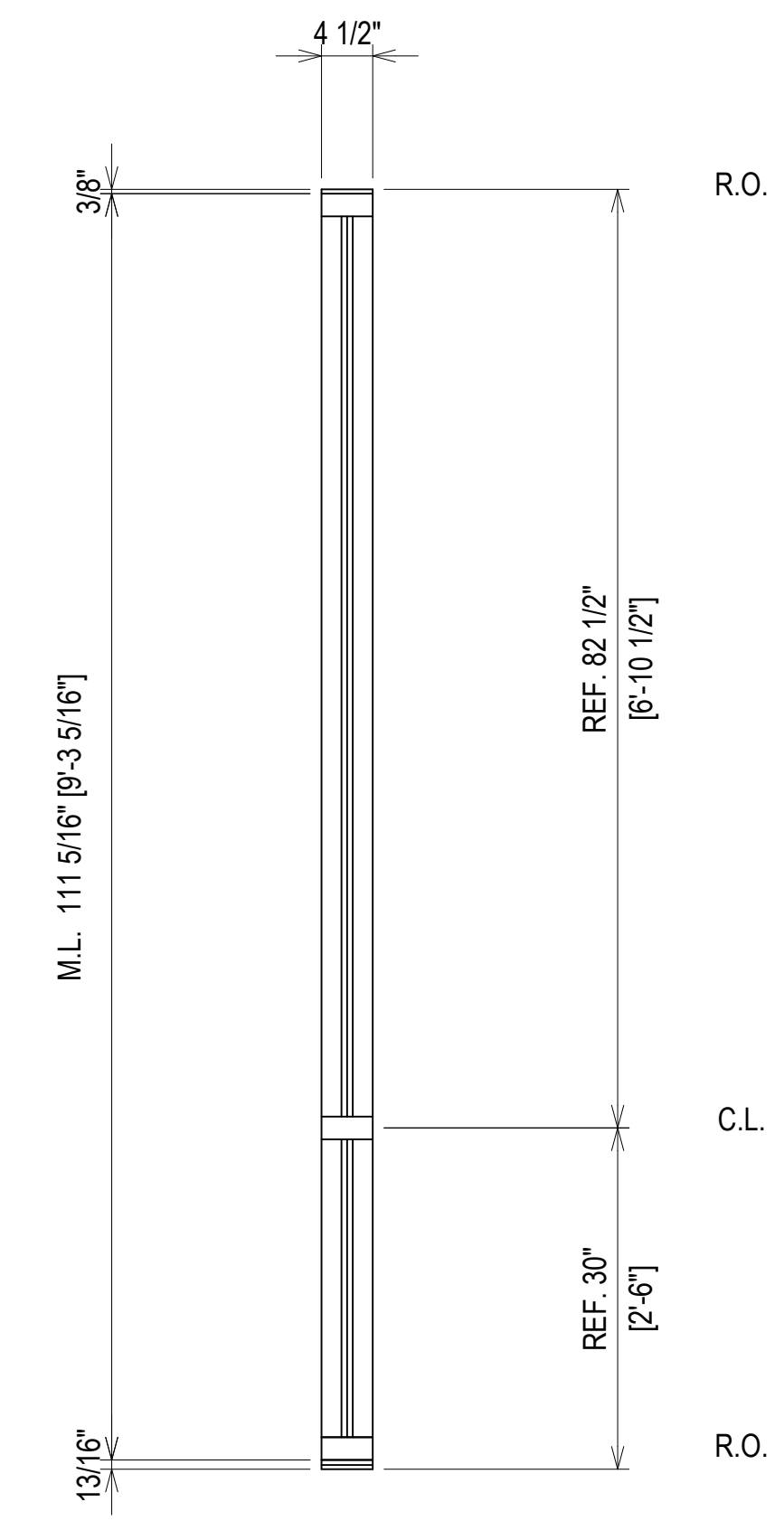
DRAWN BY:	DATE:
DJ	4.22.21
CHECKED BY:	DATE:
WH	4.22.21



ANCHOR AT THE JAMBS

ANCHOR AT THE JAMBS

HEAVY DUTY MULLION



ELEVATION **SF12**

SCALE: 3/4" = 1'-0"
 YKK YES 45TU - 2" X 4 1/2"
 EXTERIOR STOREFRONT
 1" INSULATED GLASS (CENTER SET)
 QUANTITY: 1

1ST SUBMISSION	4.22.21
1ST REVISION	7.14.21
2ND REVISION (ENGINEERING)	7.20.21
NO	NO
DESCRIPTION	DATE
DRAWING SUBMISSION	

GLASS TECH COMMERCIAL GLAZING SERVICES, INC.
 850 WEST STAR STREET
 GREENVILLE, NC 27834
 P: 252.355.9195

PROJECT: NEW HANOVER COUNTY
 GOVERNMENT CENTER
 LOCATION: 230 GOVERNMENT CENTER DRIVE
 WILMINGTON, NC 28403
 ARCHITECT: LS3P ASSOCIATES LTD.
 CUSTOMER: GLASS TECH COMMERCIAL GLAZING SERVICES

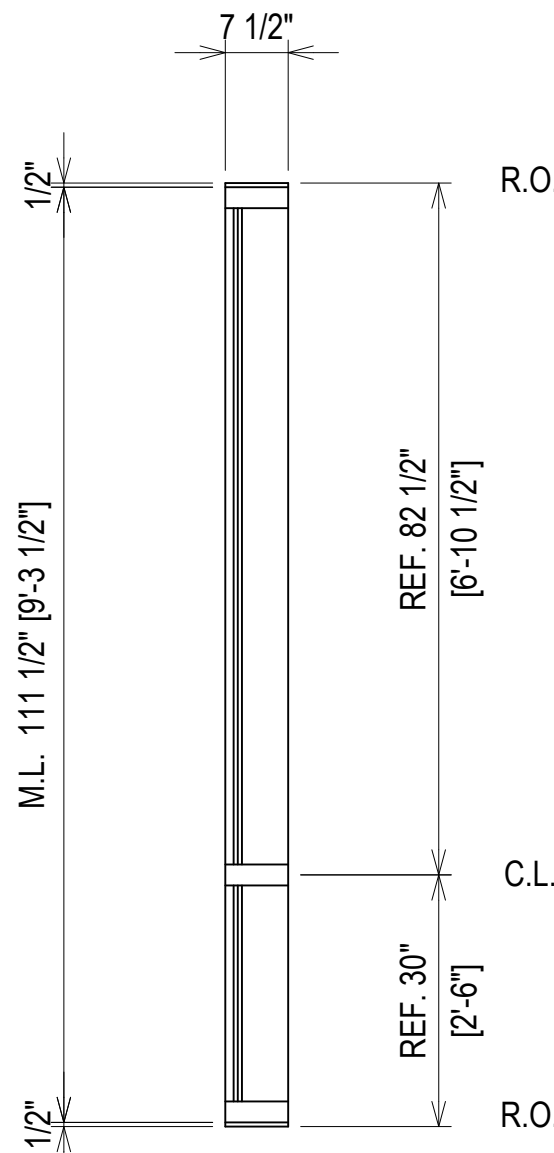
DRAWN BY:	DATE:
DJ	4.22.21
CHECKED BY:	DATE:
WH	4.22.21

ERECTOR / G.C. NOTE:
 PLEASE FIELD VERIFY ALL DIMENSIONS

2.21

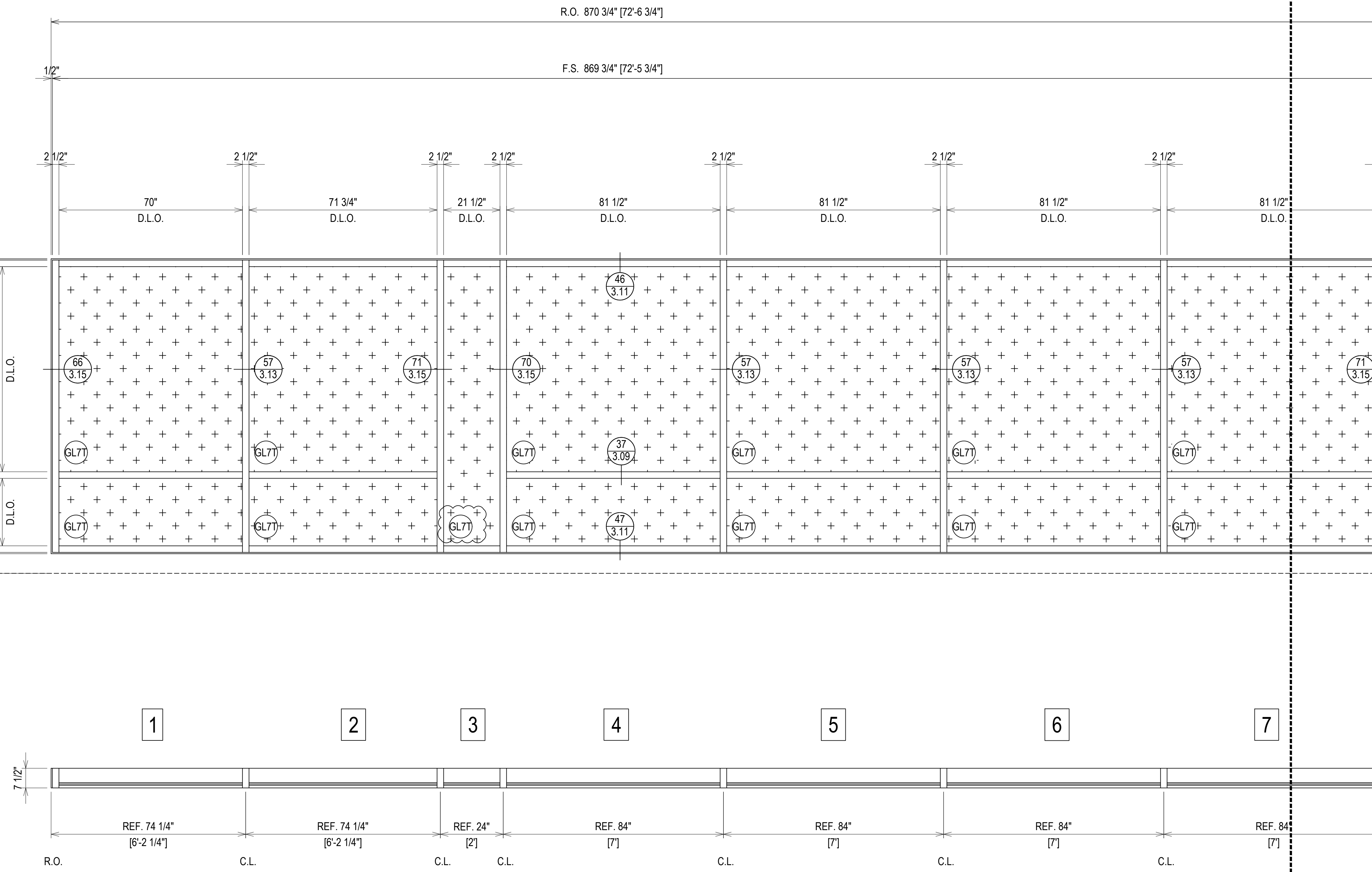


LEVEL 2
16'-8"



ARCH. REF.: A4/A-355

ELEVATION (SF13)
SCALE: 1/2" = 1'-0"
YKK YCW 7500G - 2 1/2" X 7 1/2"
EXTERIOR CURTAIN WALL
1" INSULATED GLASS (FRONT SET)
QUANTITY: 1



ERECTOR / G.C. NOTE:
PLEASE FIELD VERIFY ALL DIMENSIONS

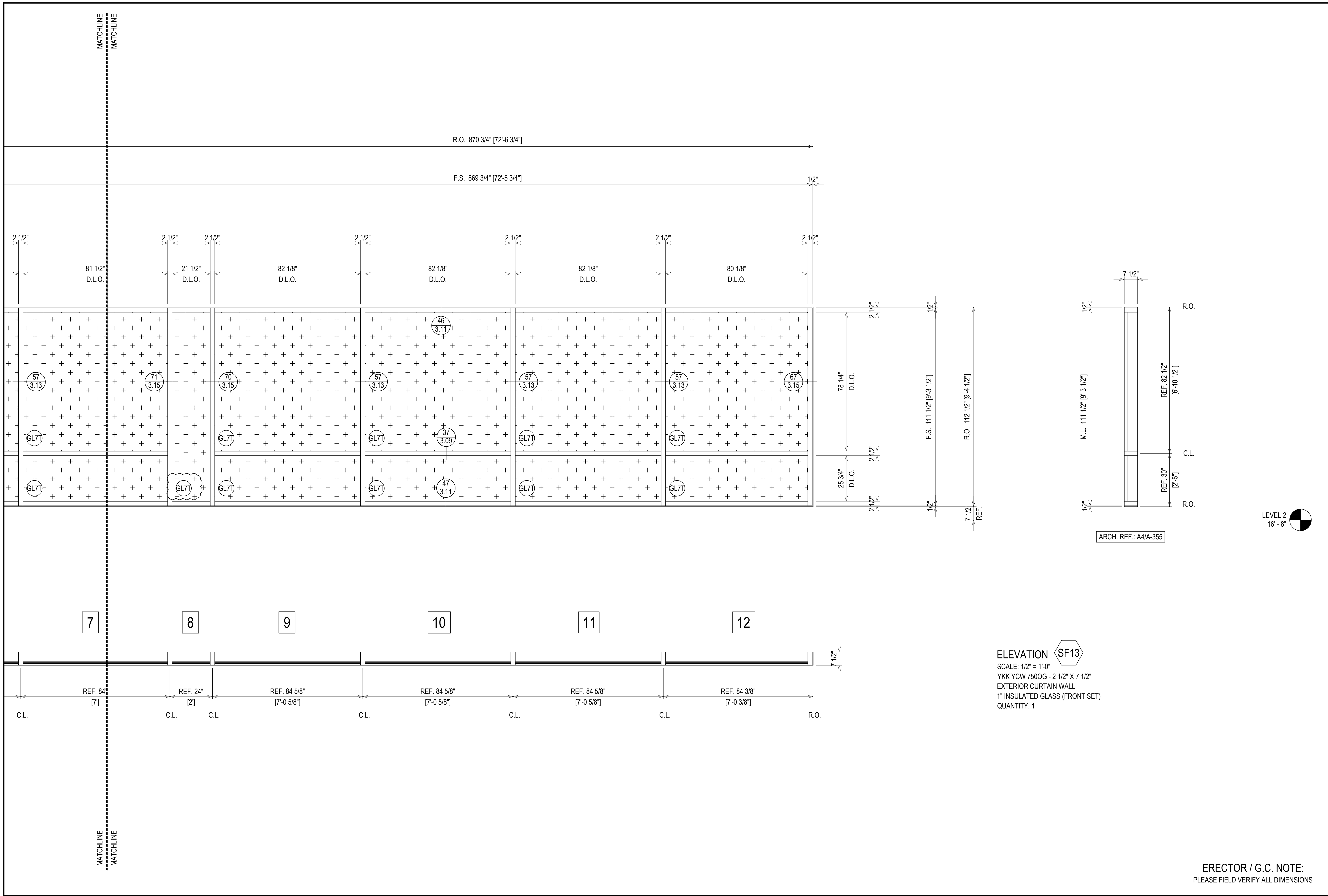
1ST SUBMISSION	4.22.21
1ST REVISION	7.14.21
2ND REVISION (ENGINEERING)	7.20.21
NO	DESCRIPTION
NO	DATE
DRAWING SUBMISSION	

GLASSTech COMMERCIAL GLAZING SERVICES, INC.
850 WEST STAR STREET
GREENVILLE, NC 27834
P: 252.355.9195

PROJECT: NEW HANOVER COUNTY
GOVERNMENT CENTER
LOCATION: 230 GOVERNMENT CENTER DRIVE
WILMINGTON, NC 28403
ARCHITECT: LS3P ASSOCIATES LTD.
CUSTOMER: GLASS TECH COMMERCIAL GLAZING SERVICES

DRAWN BY:	DATE:
DJ	4.22.21
CHECKED BY:	DATE:
WH	4.22.21

2.22



ELEVATION (SF13)
 SCALE: 1/2" = 1'-0"
 YKK YCW 750OG - 2 1/2" X 7 1/2"
 EXTERIOR CURTAIN WALL
 1" INSULATED GLASS (FRONT SET)
 QUANTITY: 1

1ST SUBMISSION	4.22.21
1ST REVISION	7.14.21
2ND REVISION (ENGINEERING)	7.20.21
NO	NO
DESCRIPTION	DATE
DRAWING SUBMISSION	

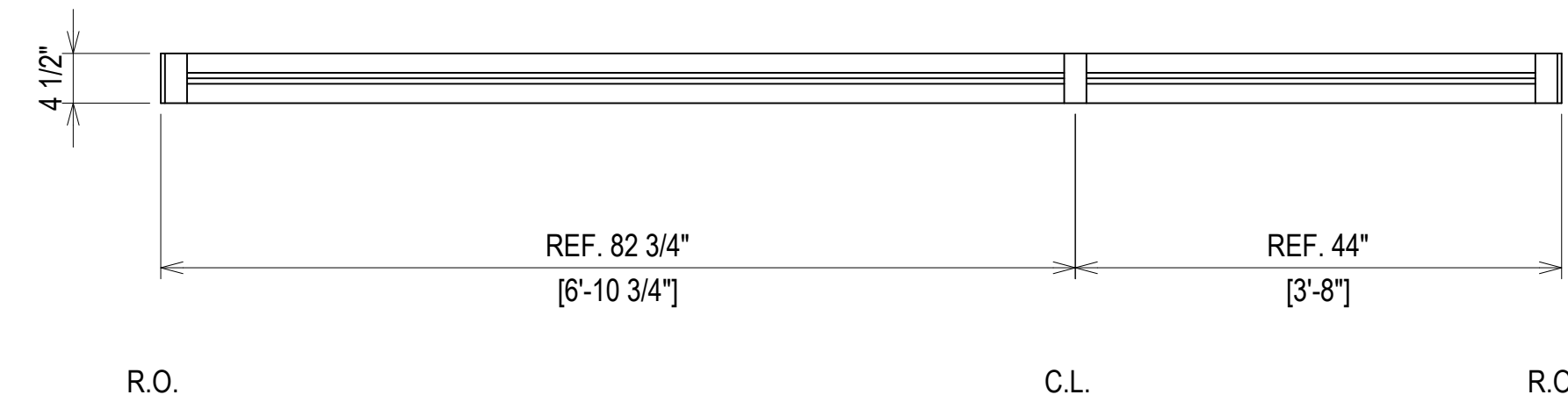
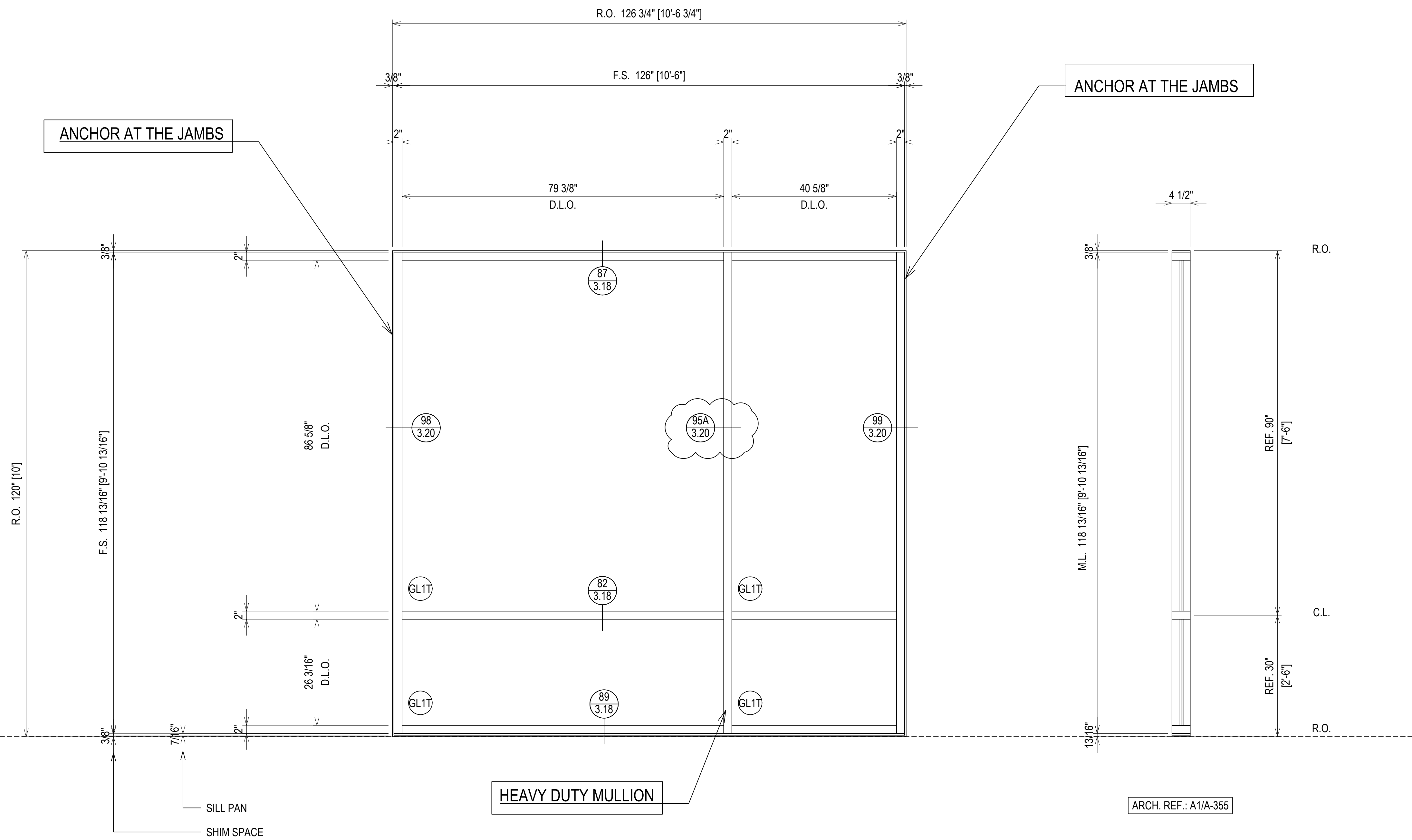
GLASS TECH COMMERCIAL GLAZING SERVICES, INC.
 850 WEST STAR STREET
 GREENVILLE, NC 27834
 P: 252.355.9195

PROJECT: NEW HANOVER COUNTY
 GOVERNMENT CENTER
 LOCATION: 230 GOVERNMENT CENTER DRIVE
 WILMINGTON, NC 28403
 ARCHITECT: LS3P ASSOCIATES LTD.
 CUSTOMER: GLASS TECH COMMERCIAL GLAZING SERVICES

DRAWN BY:	DATE:
DJ	4.22.21
CHECKED BY:	DATE:
WH	4.22.21

ERECTOR / G.C. NOTE:
 PLEASE FIELD VERIFY ALL DIMENSIONS

LEVEL 3
31' - 4"
LEVEL 4
46' - 0"



ELEVATION **SF14**
SCALE: 3/4" = 1'-0"
YKK YES 45TU - 2" X 4 1/2"
EXTERIOR STOREFRONT
1" INSULATED GLASS (CENTER SET)
QUANTITY: 2

1ST SUBMISSION	4.22.21
1ST REVISION	7.14.21
2ND REVISION (ENGINEERING)	7.20.21
NO	NO
DESCRIPTION	DATE
DRAWING SUBMISSION	

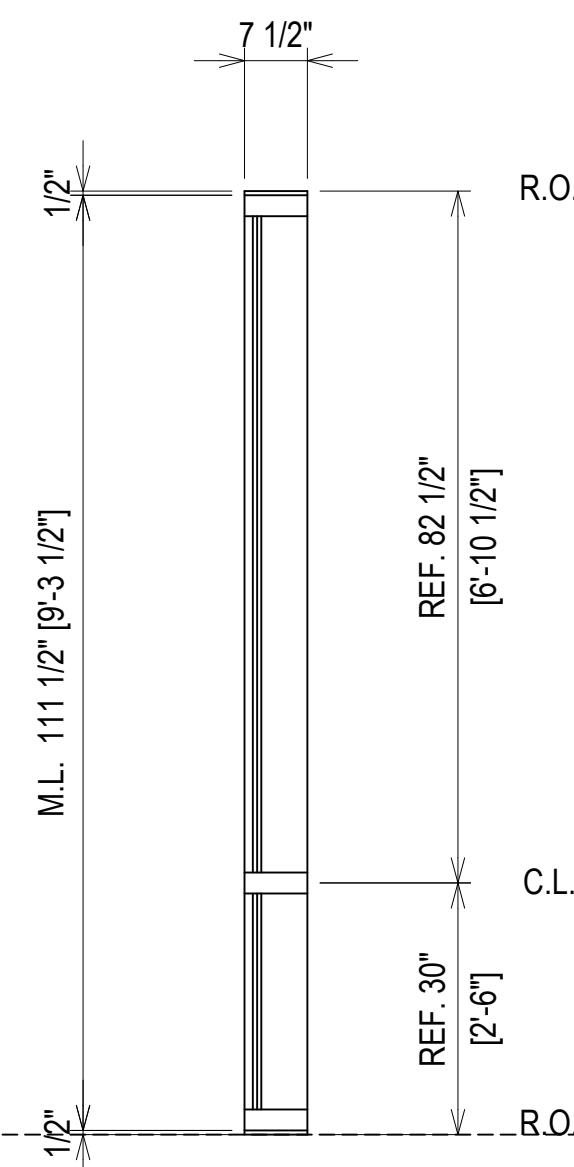
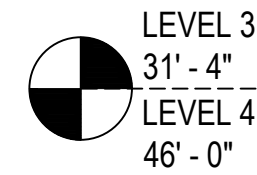
GLASS TECH COMMERCIAL GLAZING SERVICES, INC.
850 WEST STAR STREET
GREENVILLE, NC 27834
P: 252.355.9195

PROJECT: NEW HANOVER COUNTY
GOVERNMENT CENTER
LOCATION: 230 GOVERNMENT CENTER DRIVE
WILMINGTON, NC 28403
ARCHITECT: LS3P ASSOCIATES LTD.
CUSTOMER: GLASS TECH COMMERCIAL GLAZING SERVICES

DRAWN BY:	DATE:
DJ	4.22.21
CHECKED BY:	DATE:
WH	4.22.21

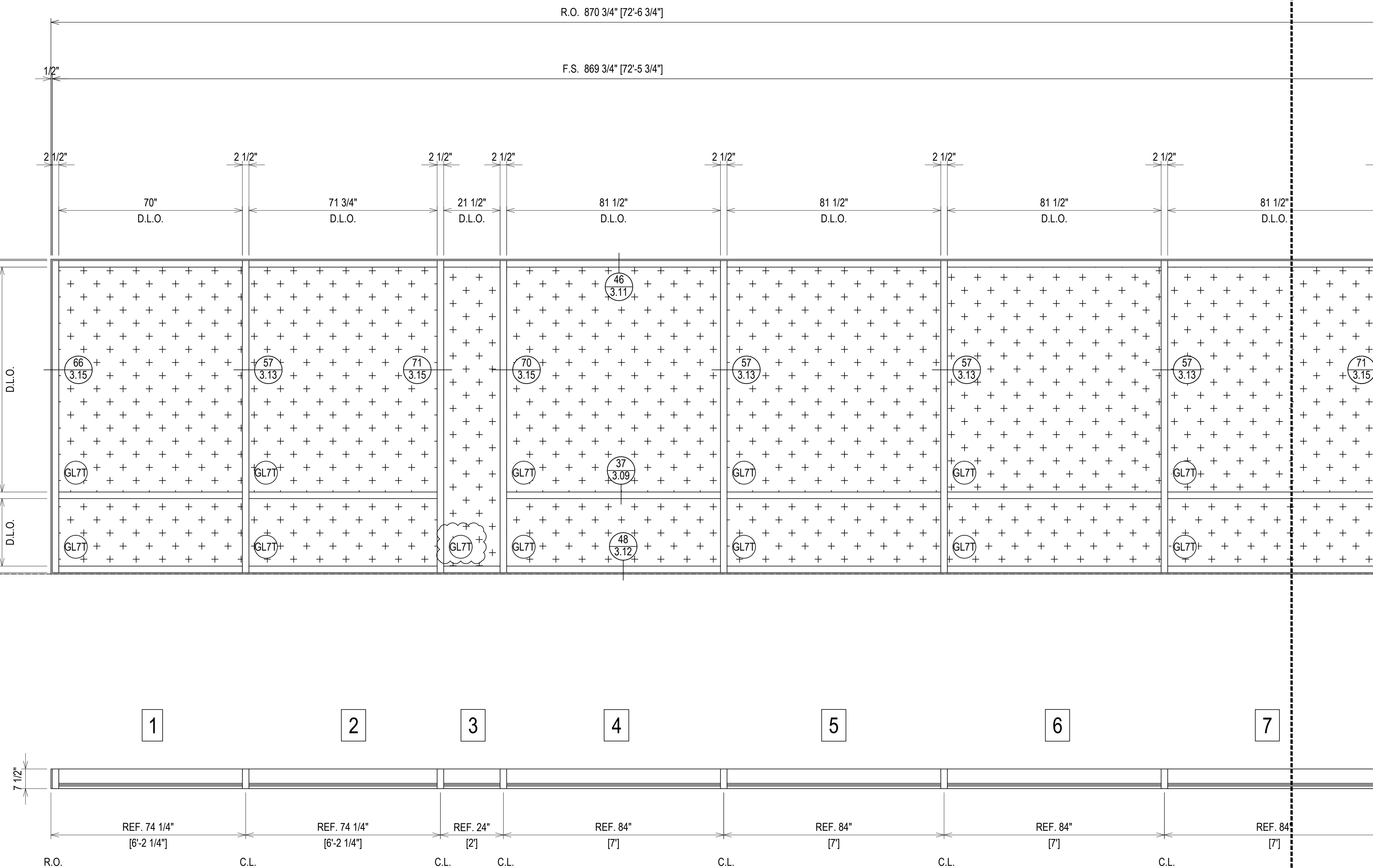
ERECTOR / G.C. NOTE:
PLEASE FIELD VERIFY ALL DIMENSIONS

2.24



ARCH. REF.: A4/A-355

ELEVATION (SF15)
 SCALE: 1/2" = 1'-0"
 YKK YCW 7500G - 2 1/2" X 7 1/2"
 EXTERIOR CURTAIN WALL
 1" INSULATED GLASS (FRONT SET)
 QUANTITY: 2



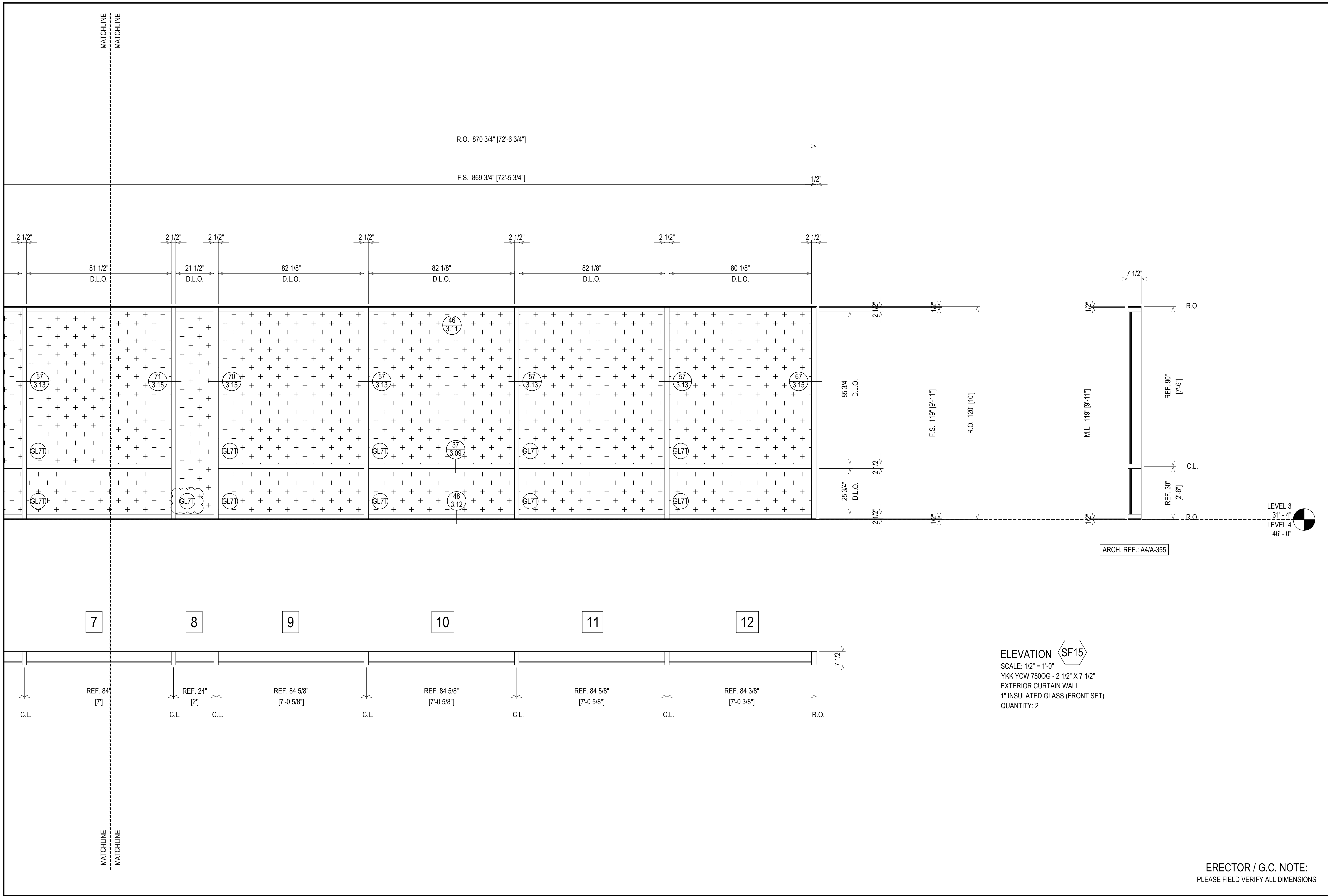
ERECTOR / G.C. NOTE:
 PLEASE FIELD VERIFY ALL DIMENSIONS

1ST SUBMISSION	4.22.21
1ST REVISION	7.14.21
2ND REVISION (ENGINEERING)	7.20.21
NO	DESCRIPTION
NO	DATE
DRAWING SUBMISSION	

GLASSTech COMMERCIAL GLAZING SERVICES, INC.
 850 WEST STAR STREET
 GREENVILLE, NC 27834
 P: 252.355.9195

PROJECT: NEW HANOVER COUNTY GOVERNMENT CENTER
 LOCATION: 230 GOVERNMENT CENTER DRIVE WILMINGTON, NC 28403
 ARCHITECT: LS3P ASSOCIATES LTD.
 CUSTOMER: GLASS TECH COMMERCIAL GLAZING SERVICES

DRAWN BY:	DATE:
DJ	4.22.21
CHECKED BY:	DATE:
WH	4.22.21



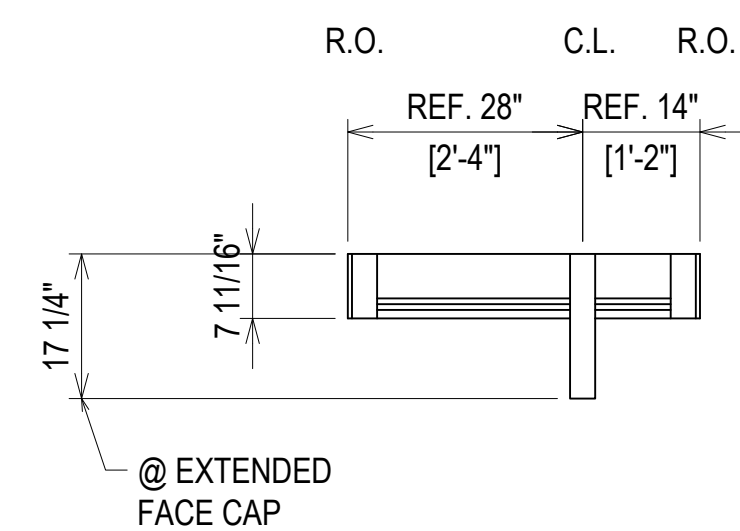
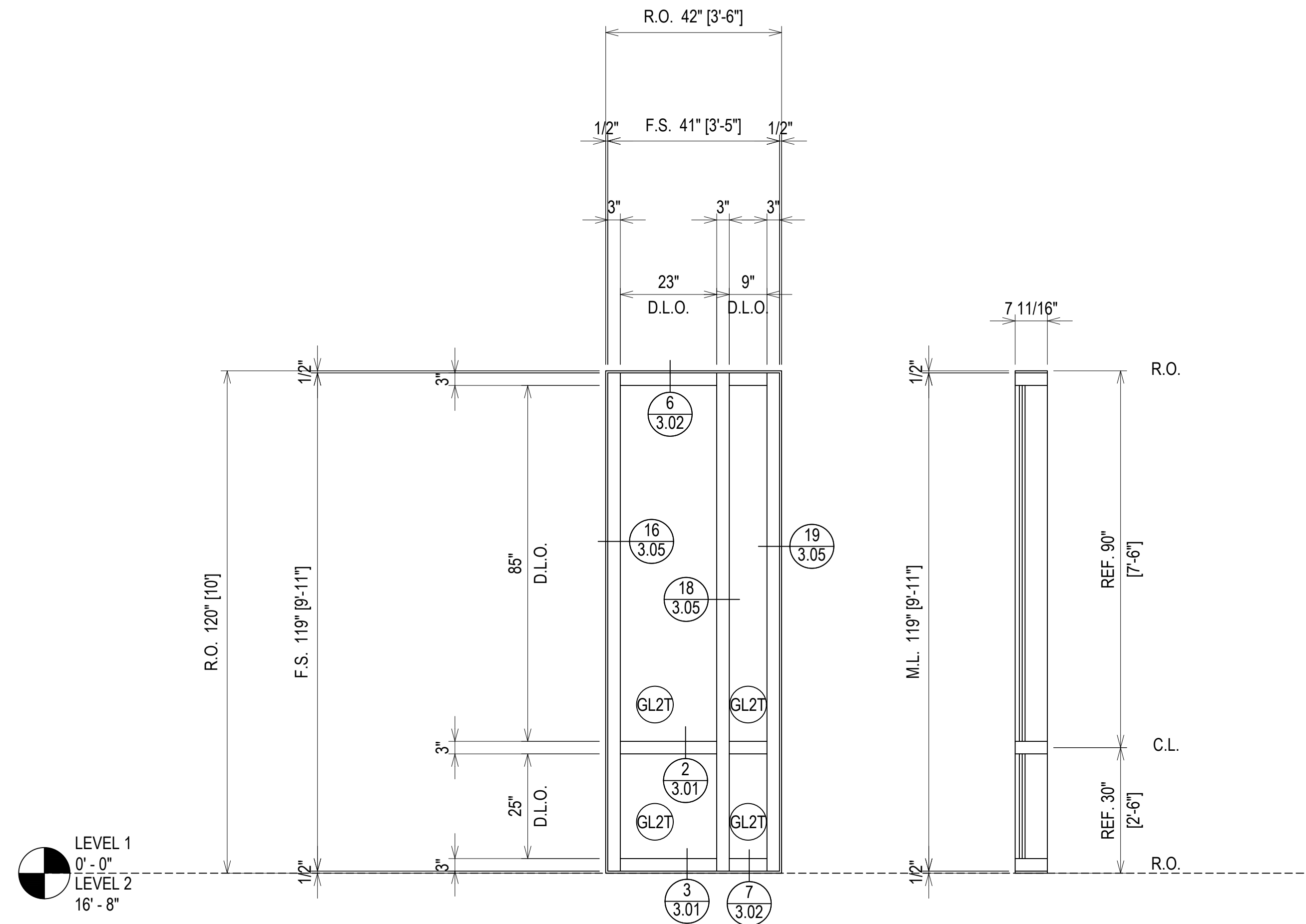
1ST SUBMISSION	4.22.21
1ST REVISION	7.14.21
2ND REVISION (ENGINEERING)	7.20.21
NO	NO
DESCRIPTION	DATE
DRAWING SUBMISSION	

GLASS TECH COMMERCIAL GLAZING SERVICES, INC.
 850 WEST STAR STREET
 GREENVILLE, NC 27834
 P: 252.355.9195

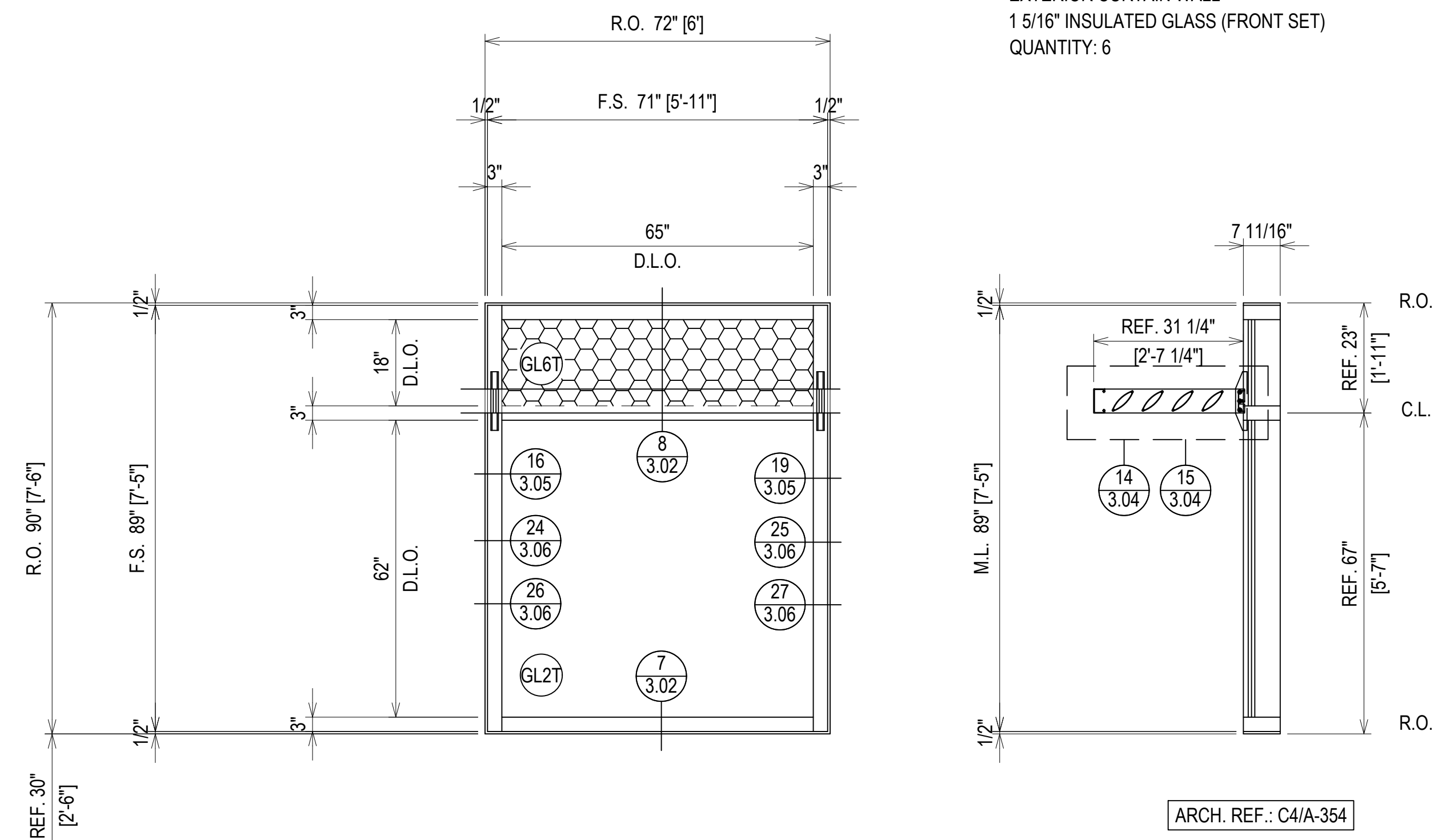
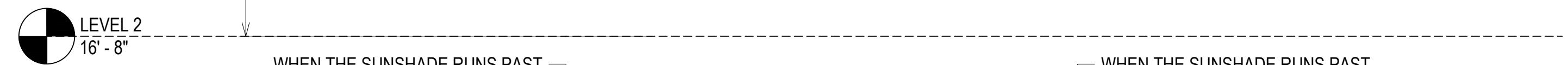
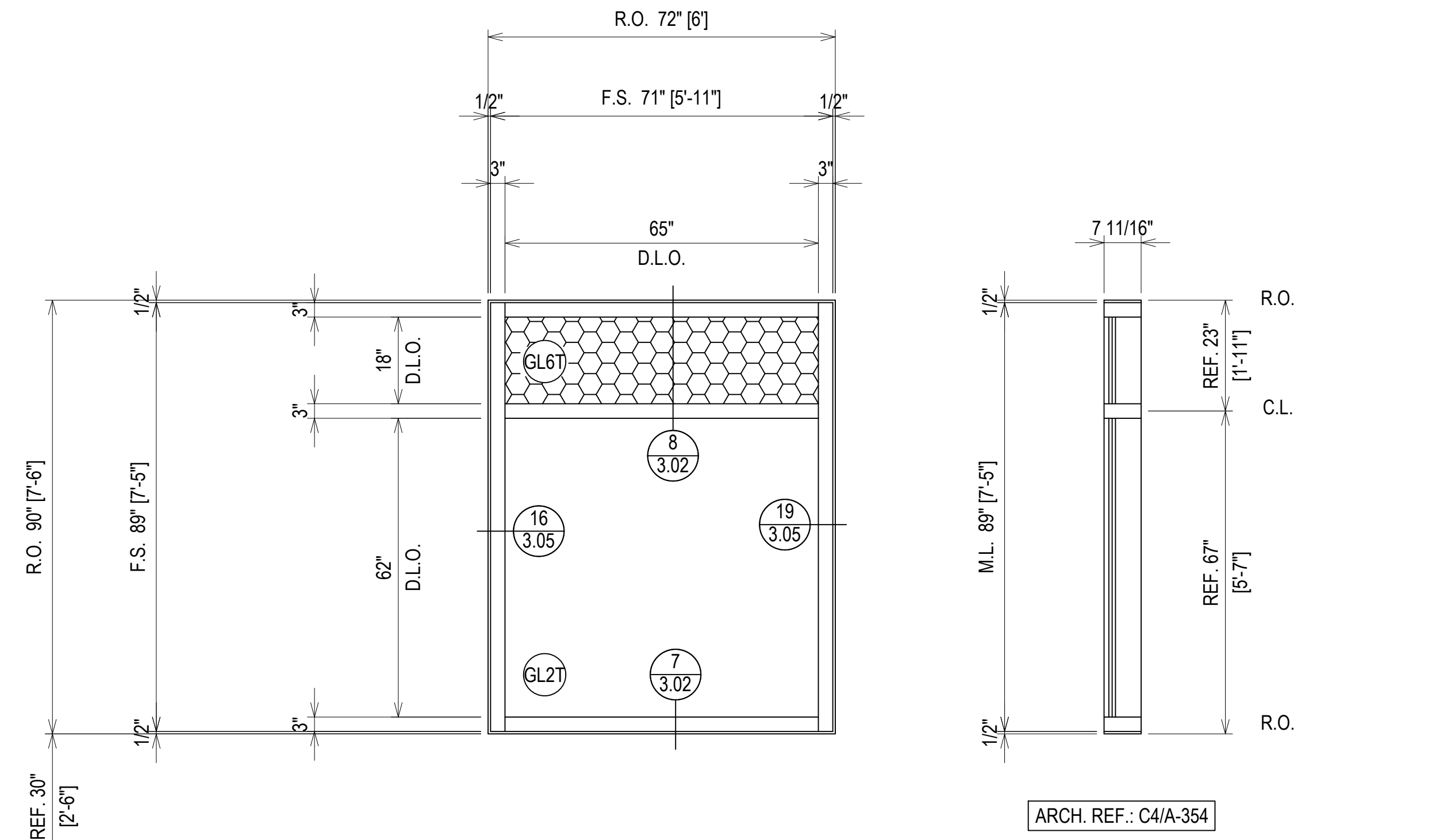
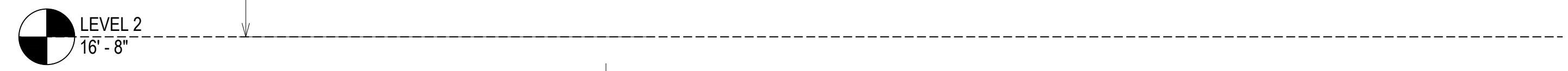
PROJECT: NEW HANOVER COUNTY
 GOVERNMENT CENTER
 LOCATION: 230 GOVERNMENT CENTER DRIVE
 WILMINGTON, NC 28403
 ARCHITECT: LS3P ASSOCIATES LTD.
 CUSTOMER: GLASS TECH COMMERCIAL GLAZING SERVICES

DRAWN BY:	DATE:
DJ	4.22.21
CHECKED BY:	DATE:
WH	4.22.21

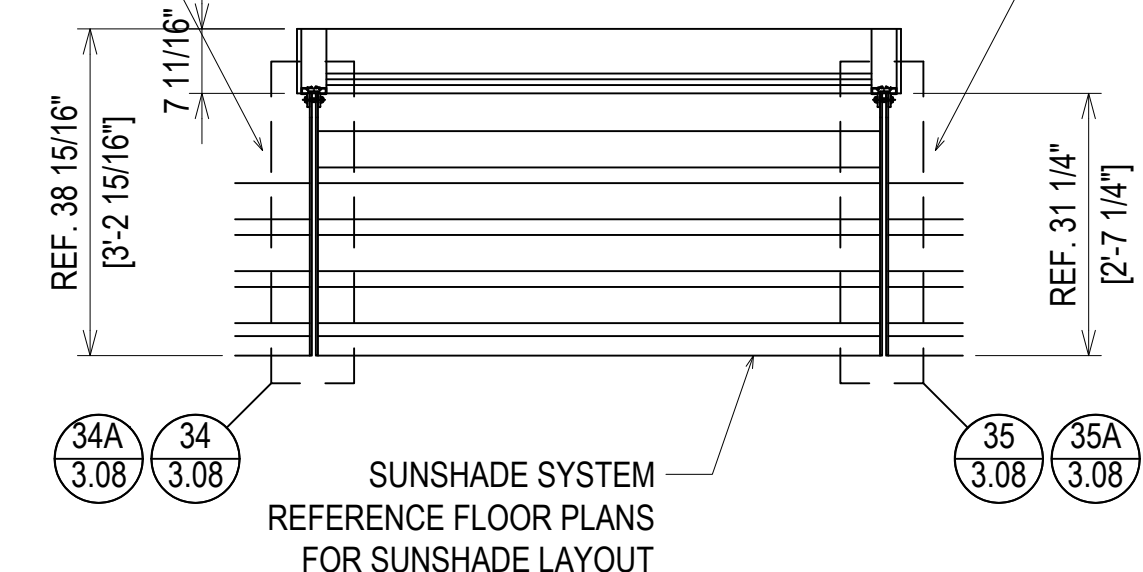
ERECTOR / G.C. NOTE:
 PLEASE FIELD VERIFY ALL DIMENSIONS



ERECTOR / G.C. NOTE:
 PLEASE FIELD VERIFY ALL DIMENSIONS



WHEN THE SUNSHADE RUNS PAST THE WINDOW, THE LAST BLADE WILL BE ELIMINATED

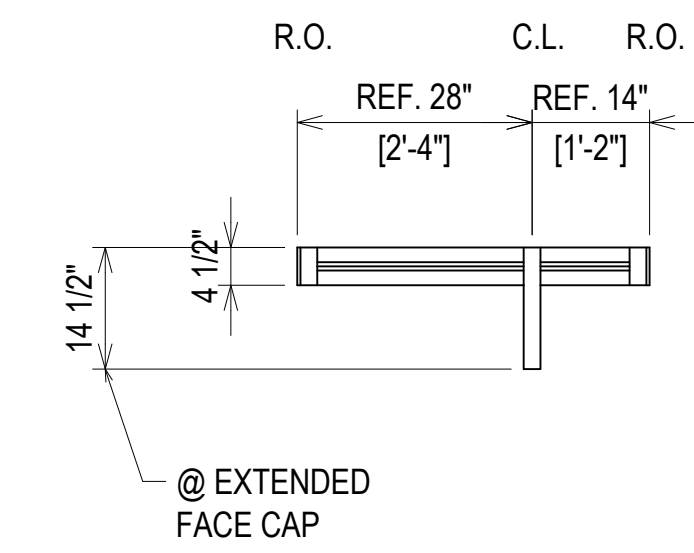
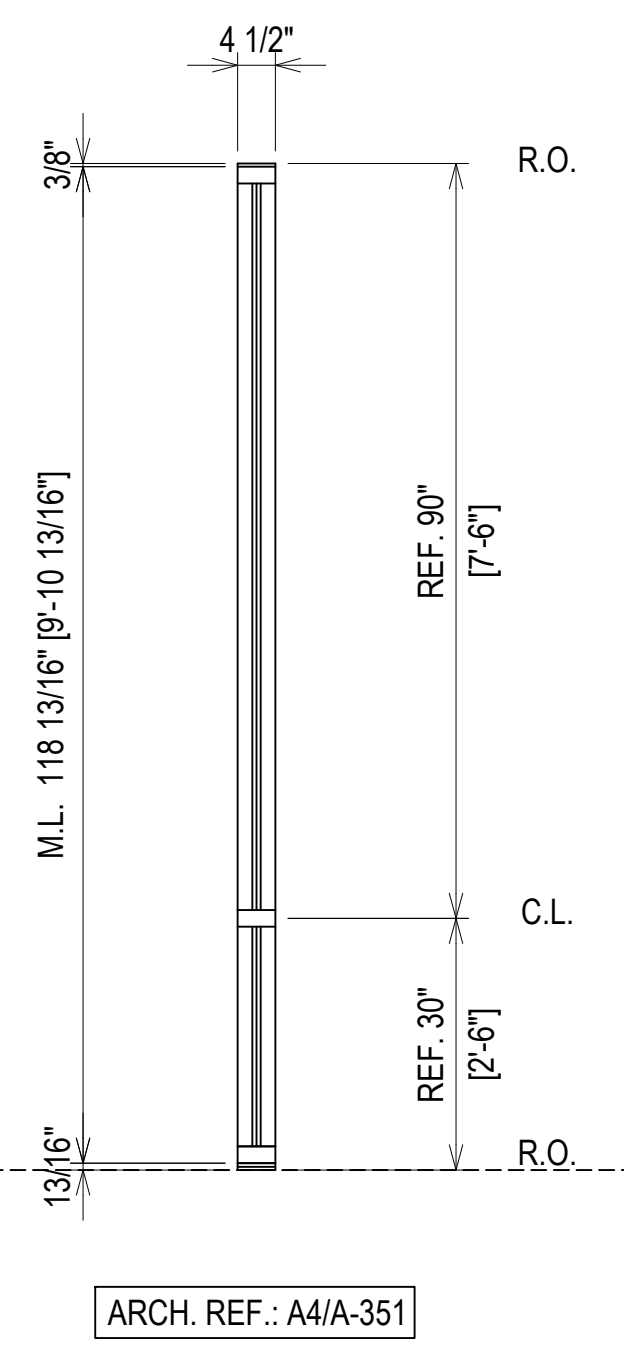
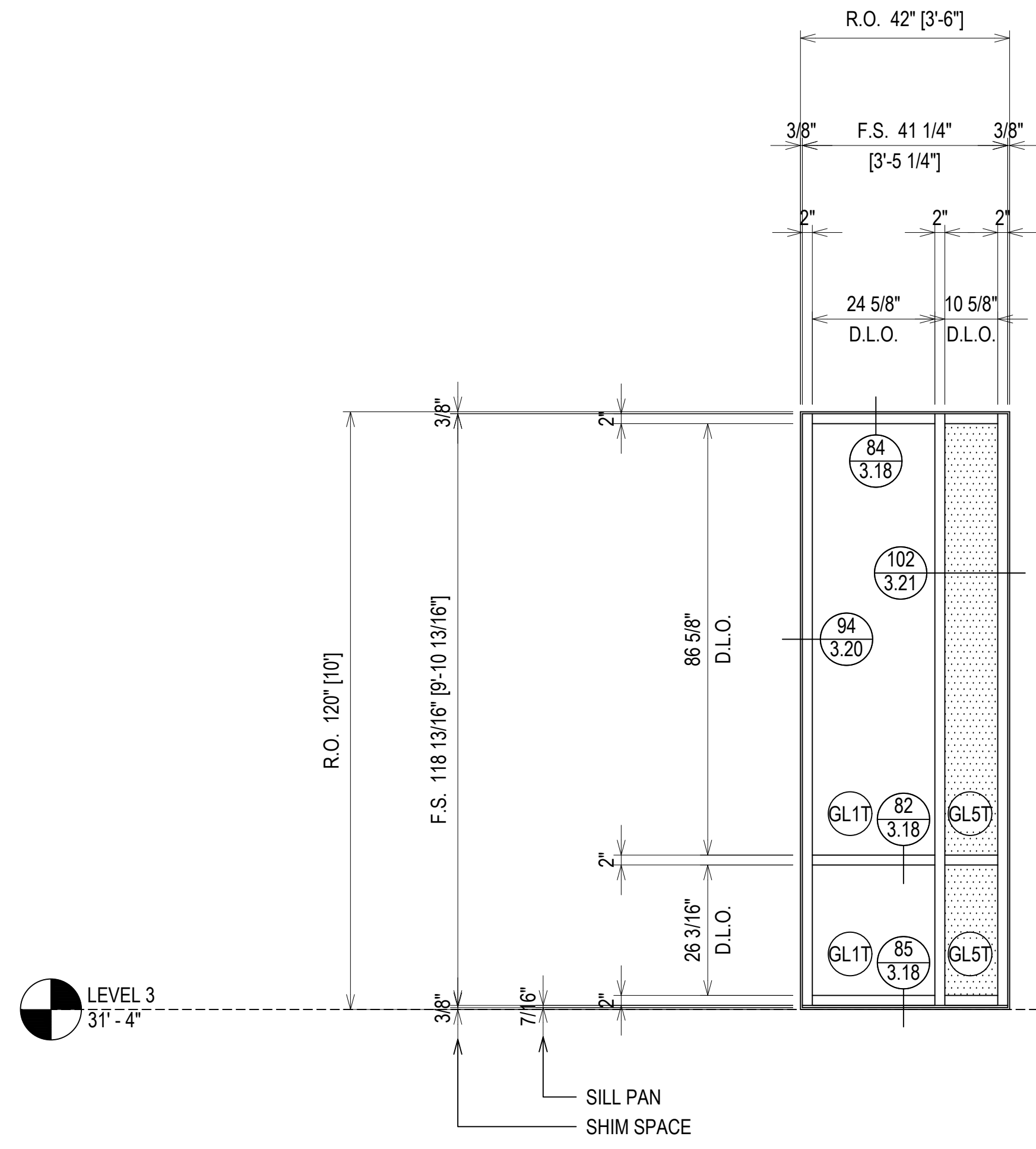


1ST SUBMISSION	4.22.21
1ST REVISION	7.14.21
2ND REVISION (ENGINEERING)	7.20.21
NO	NO
DESCRIPTION	DATE
DRAWING SUBMISSION	

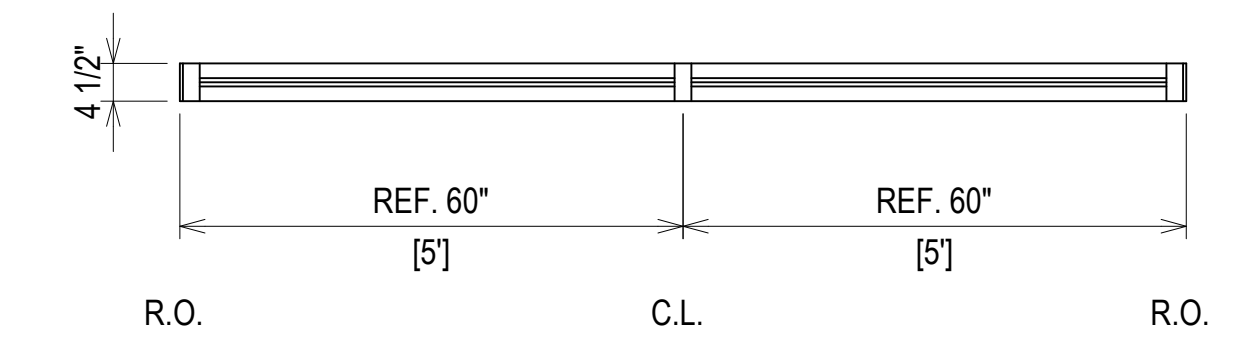
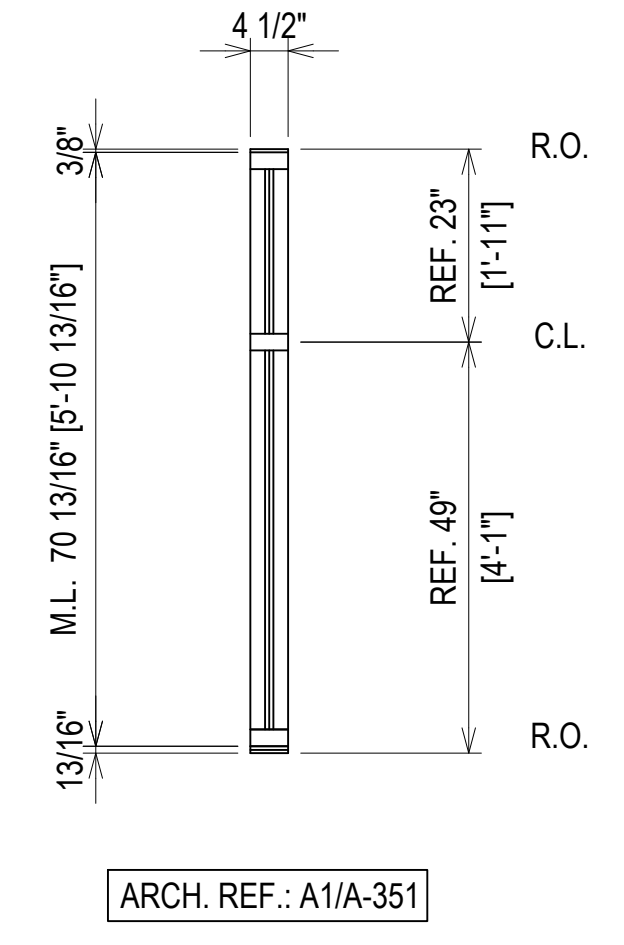
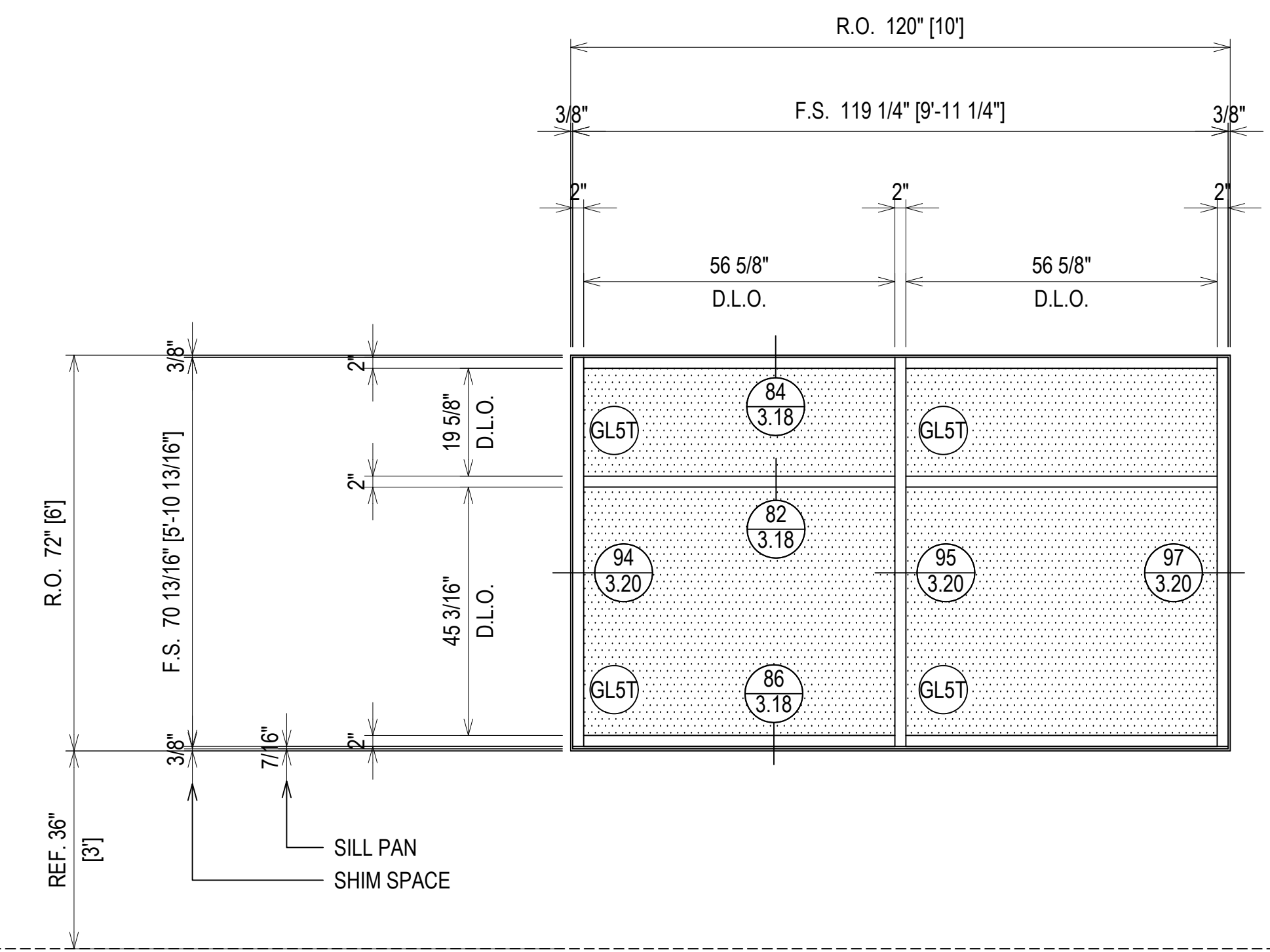
GLASSTECH COMMERCIAL GLAZING SERVICES, INC.
 850 WEST STAR STREET
 GREENVILLE, NC 27834
 P: 252.355.9195

PROJECT: NEW HANOVER COUNTY GOVERNMENT CENTER
 LOCATION: 230 GOVERNMENT CENTER DRIVE WILMINGTON, NC 28403
 ARCHITECT: LS3P ASSOCIATES LTD.
 CUSTOMER: GLASS TECH COMMERCIAL GLAZING SERVICES

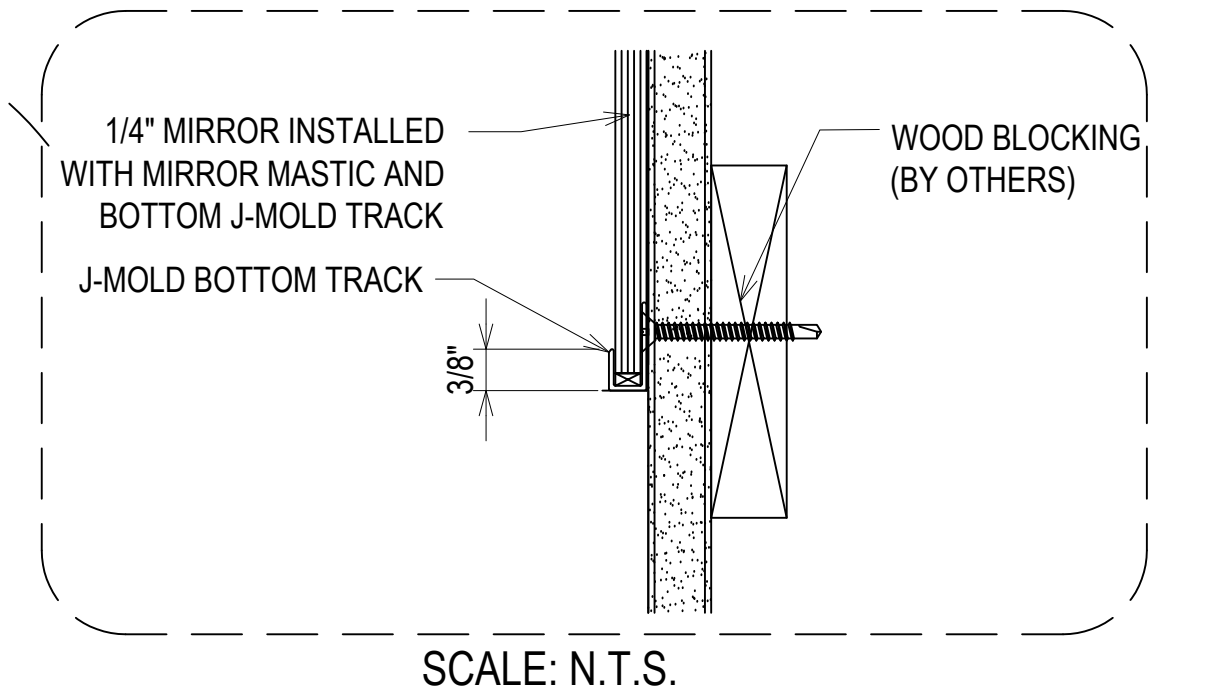
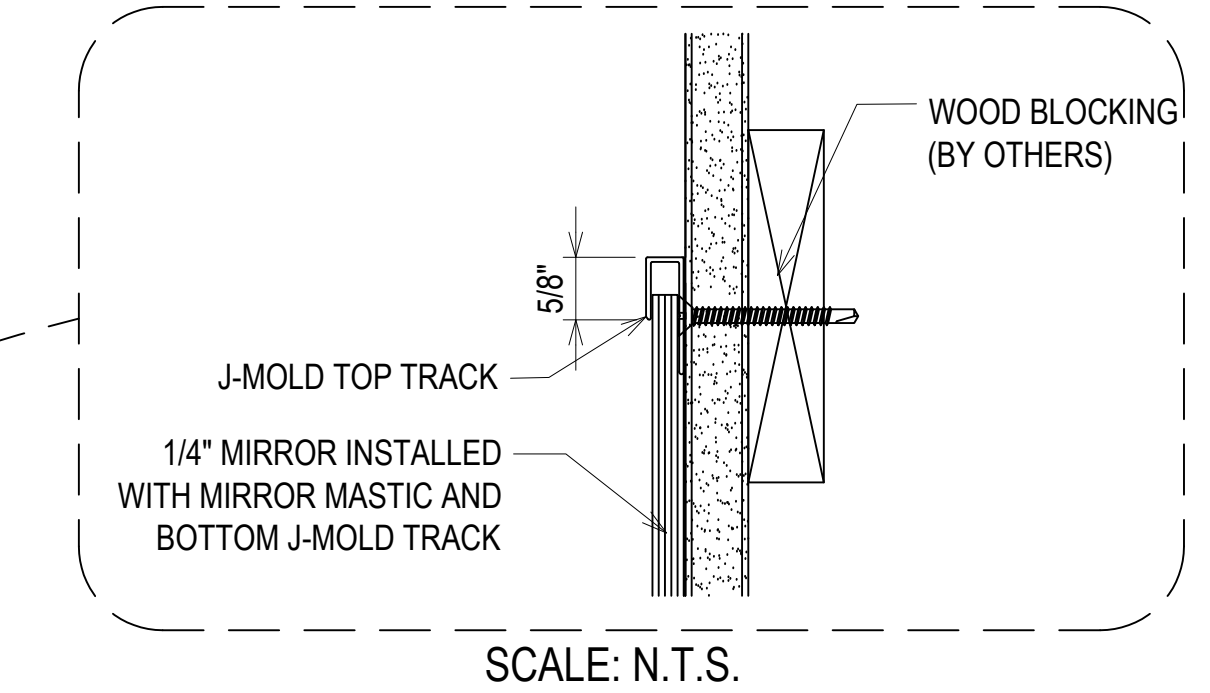
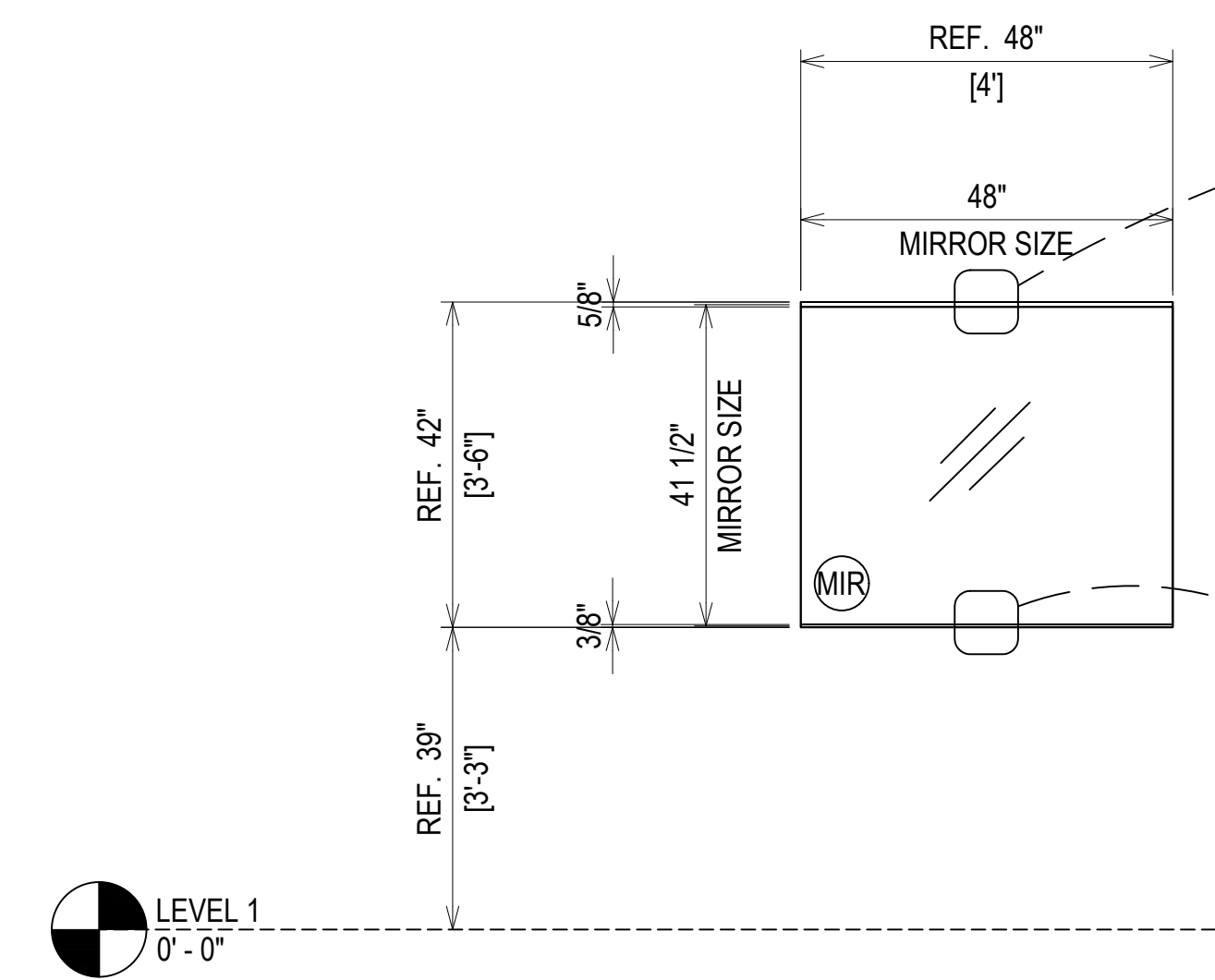
DRAWN BY:	DATE:
DJ	4.22.21
CHECKED BY:	DATE:
WH	4.22.21



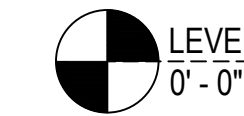
ELEVATION SF18
 SCALE: 1/2" = 1'-0"
 YKK YES 45TU - 2" X 4 1/2"
 EXTERIOR STOREFRONT
 1" INSULATED GLASS (CENTER SET)
 QUANTITY: 1



ELEVATION SF19
 SCALE: 1/2" = 1'-0"
 YKK YES 45TU - 2" X 4 1/2"
 EXTERIOR STOREFRONT
 1" INSULATED GLASS (CENTER SET)
 QUANTITY: 1



ELEVATION M1
 SCALE: 1/2" = 1'-0"
 1/4" CLEAR MIRROR WITH
 J-MOLD TOP AND BOTTOM
 QUANTITY: 2



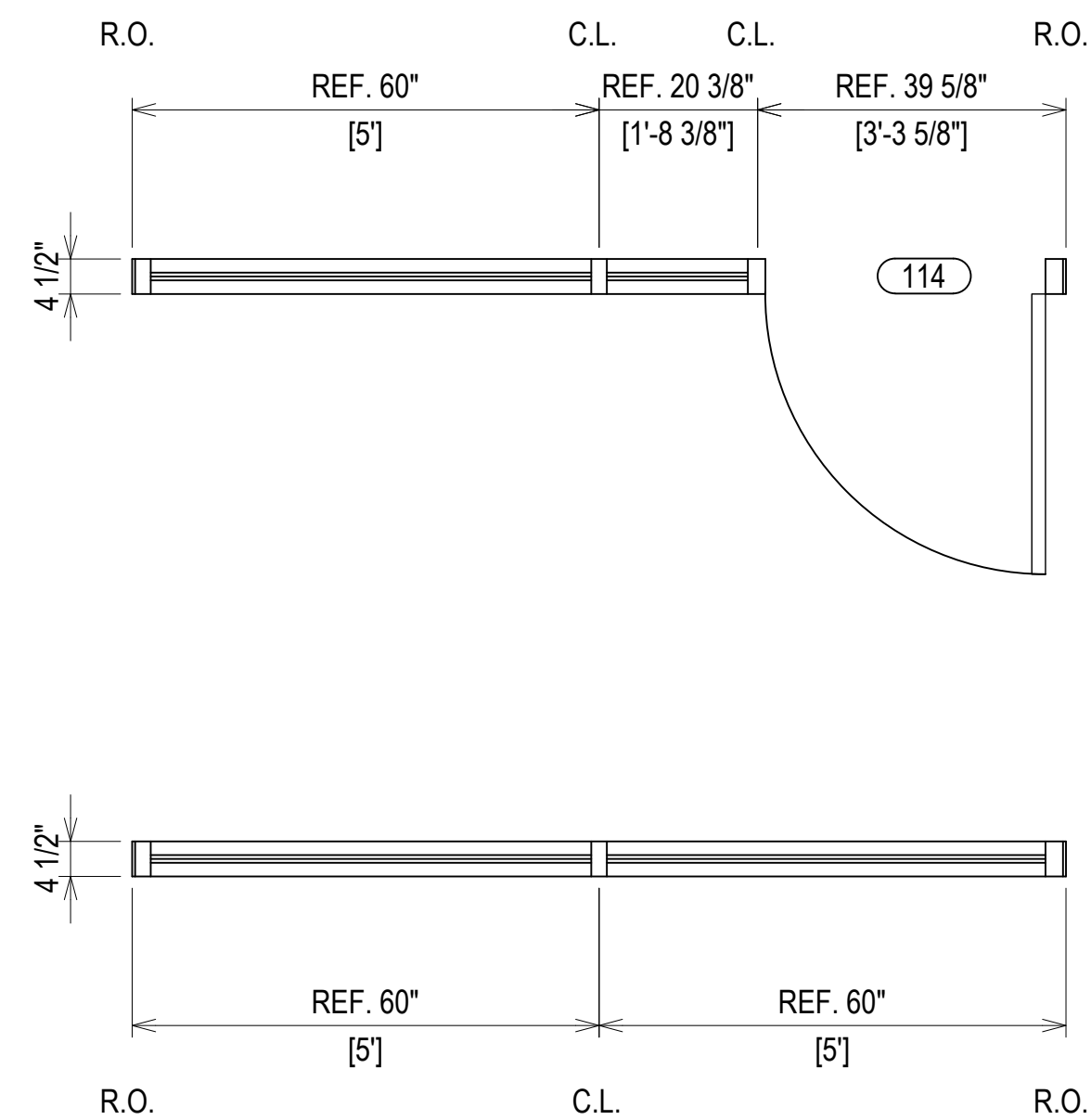
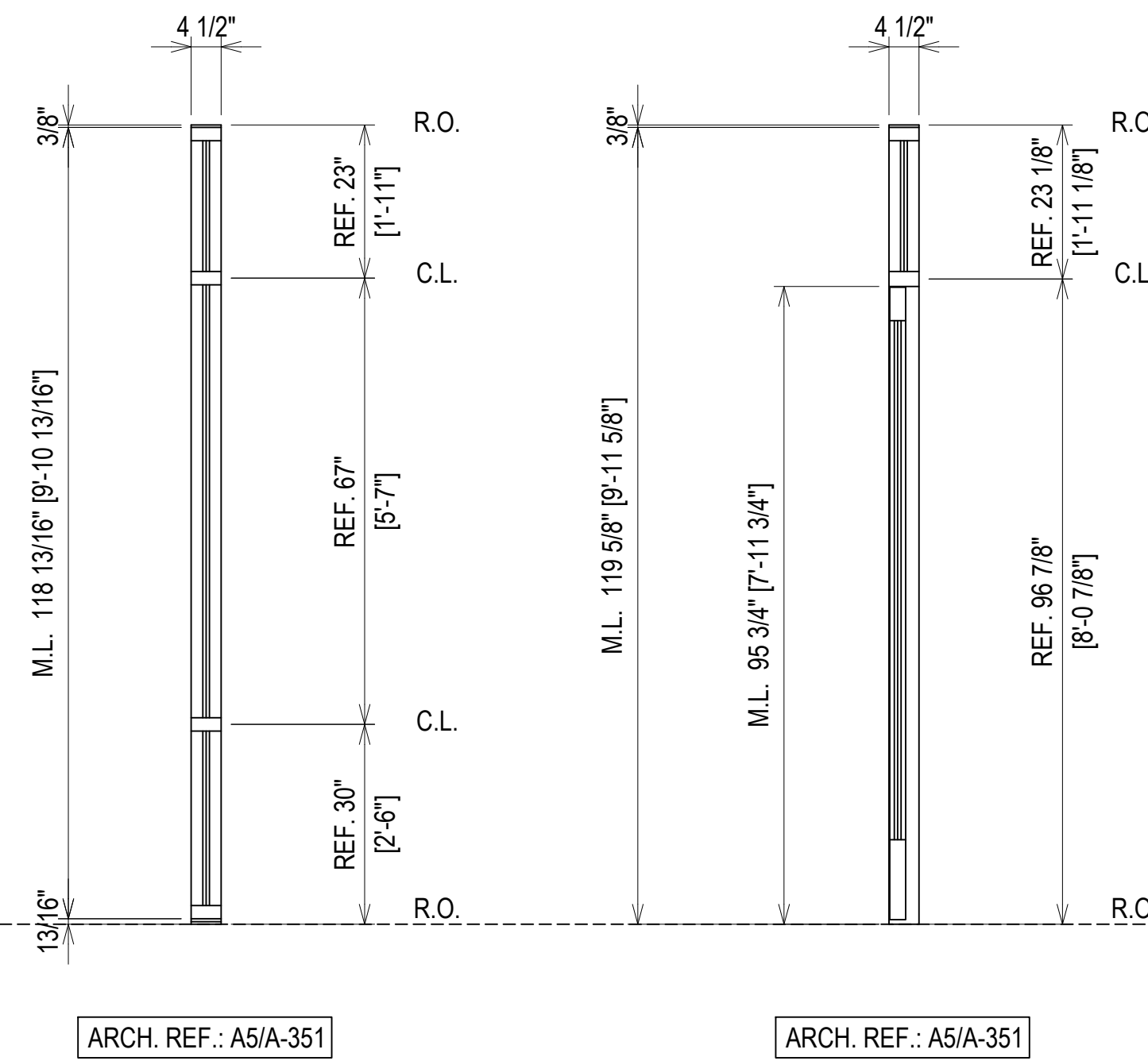
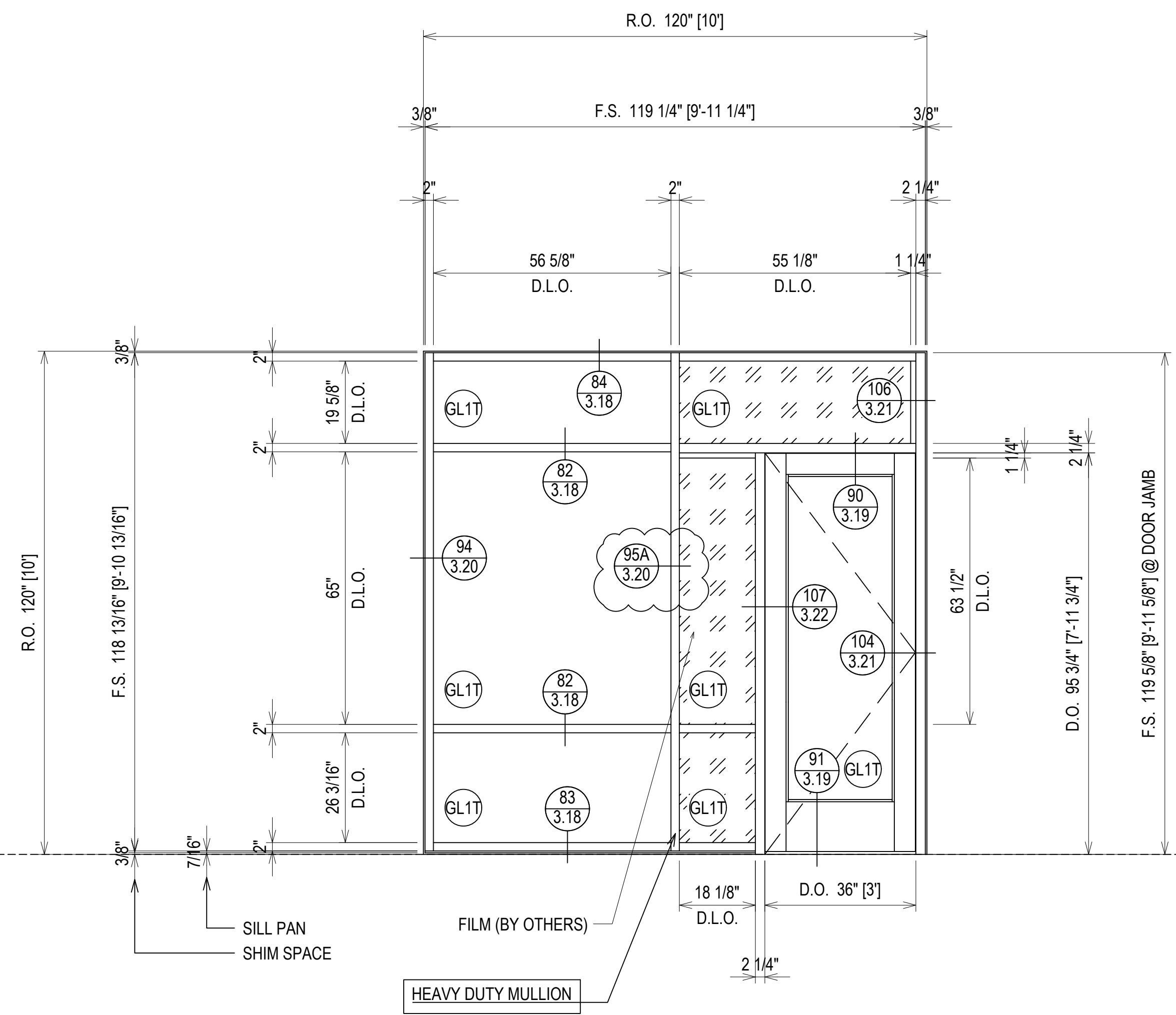
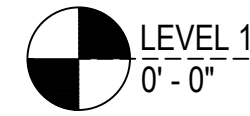
1ST SUBMISSION	4.22.21
1ST REVISION	7.14.21
2ND REVISION (ENGINEERING)	7.20.21
NO	NO
DESCRIPTION	DATE
DRAWING SUBMISSION	

GLASS TECH COMMERCIAL GLAZING SERVICES, INC.
 850 WEST STAR STREET
 GREENVILLE, NC 27834
 P: 252.355.9195

PROJECT: NEW HANOVER COUNTY
 GOVERNMENT CENTER
 LOCATION: 230 GOVERNMENT CENTER DRIVE
 WILMINGTON, NC 28403
 ARCHITECT: LS3P ASSOCIATES LTD.
 CUSTOMER: GLASS TECH COMMERCIAL GLAZING SERVICES

DRAWN BY:	DATE:
DJ	4.22.21
CHECKED BY:	DATE:
WH	4.22.21

ERECTOR / G.C. NOTE:
 PLEASE FIELD VERIFY ALL DIMENSIONS



ELEVATION SF20
 SCALE: 1/2" = 1'-0"
 YKK YES 45TU - 2" X 4 1/2"
 EXTERIOR STOREFRONT
 1" INSULATED GLASS (CENTER SET)
 QUANTITY: 1

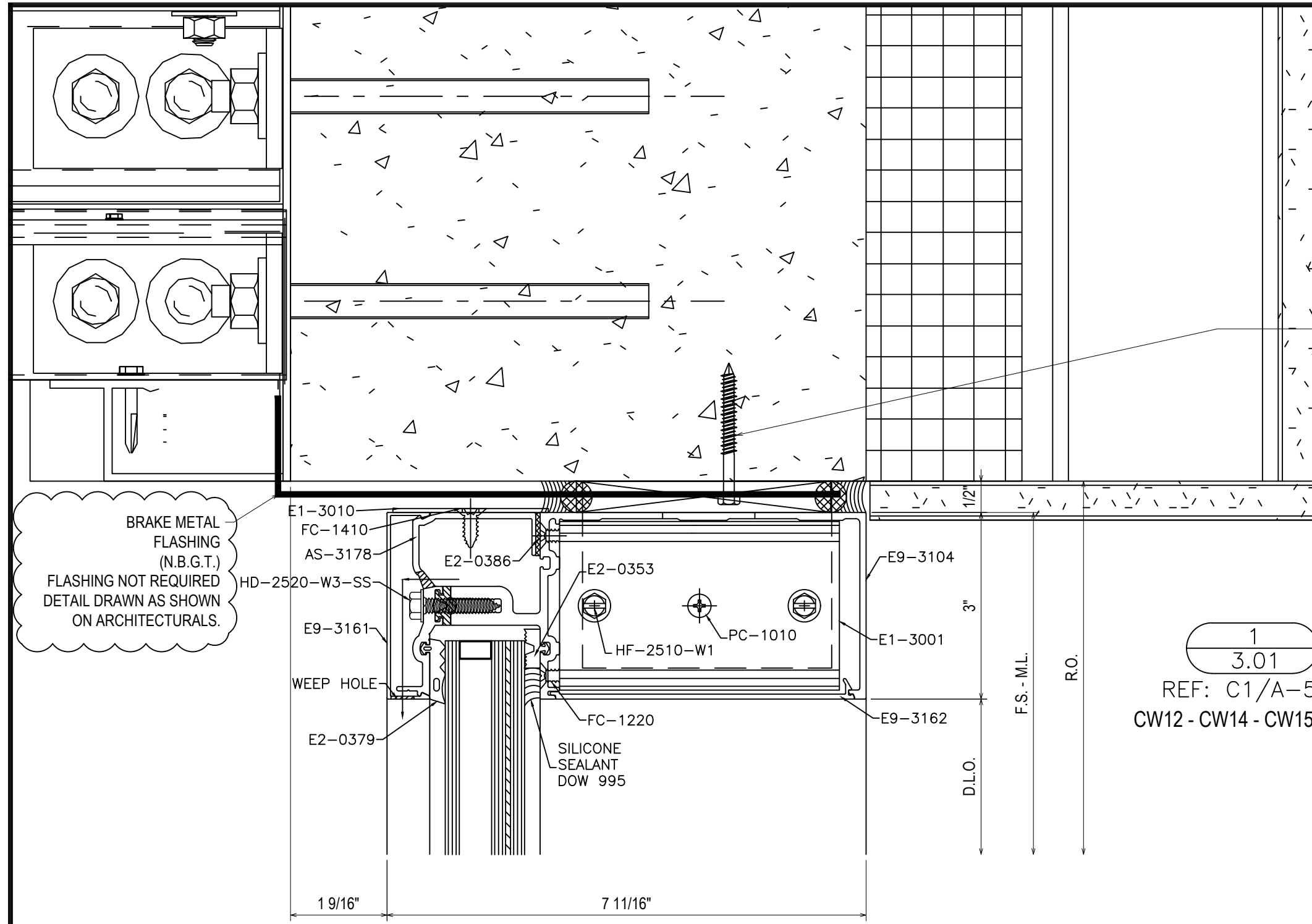
ERECTOR / G.C. NOTE:
 PLEASE FIELD VERIFY ALL DIMENSIONS

1ST SUBMISSION	4.22.21
1ST REVISION	7.14.21
2ND REVISION (ENGINEERING)	7.20.21
NO	DESCRIPTION
NO	DATE
DRAWING SUBMISSION	

GLASS TECH COMMERCIAL GLAZING SERVICES, INC.
 850 WEST STAR STREET
 GREENVILLE, NC 27834
 P: 252.355.9195

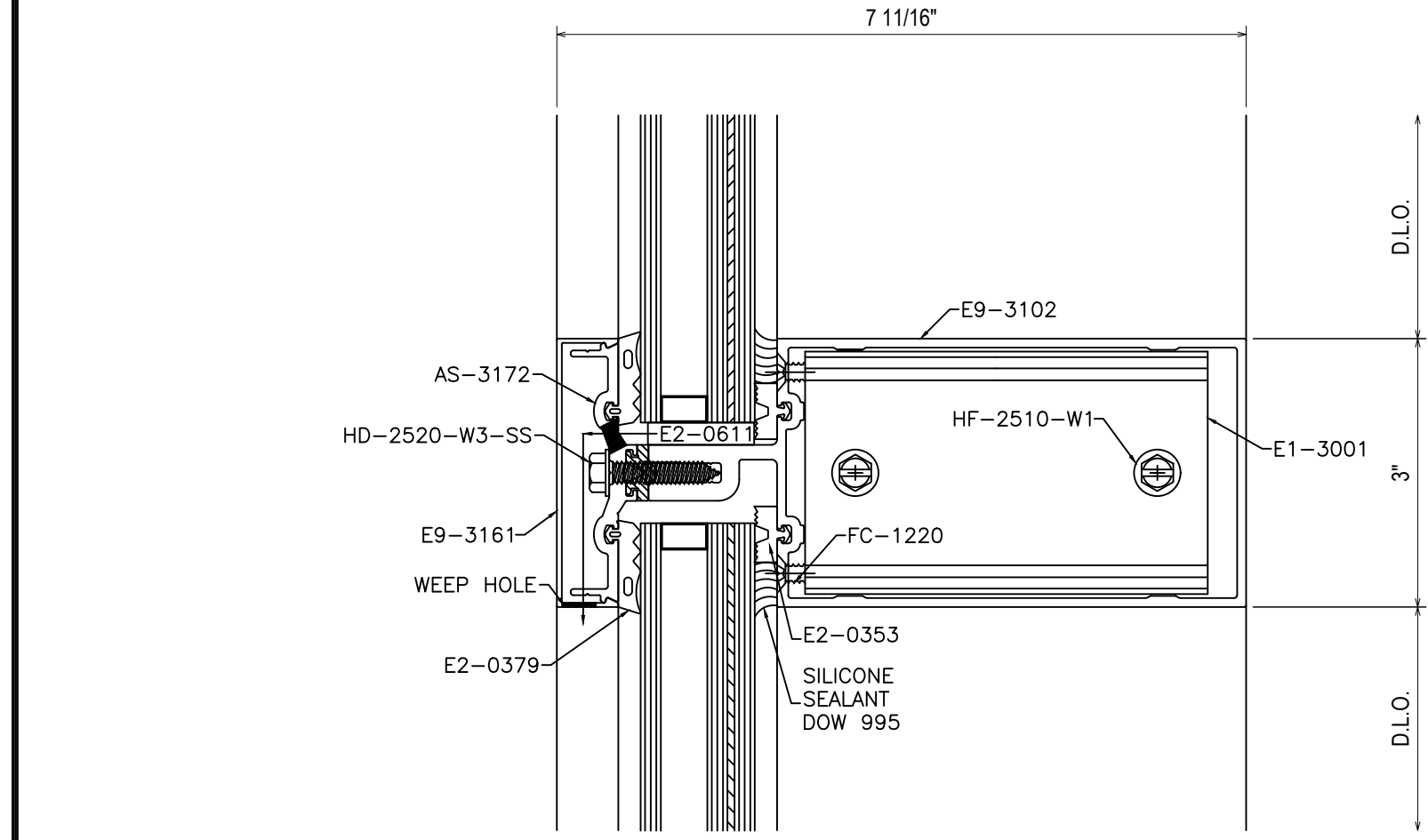
PROJECT: NEW HANOVER COUNTY
 GOVERNMENT CENTER
 LOCATION: 230 GOVERNMENT CENTER DRIVE
 WILMINGTON, NC 28403
 ARCHITECT: LS3P ASSOCIATES LTD.
 CUSTOMER: GLASS TECH COMMERCIAL GLAZING SERVICES

DRAWN BY:	DATE:
DJ	4.22.21
CHECKED BY:	DATE:
WH	4.22.21

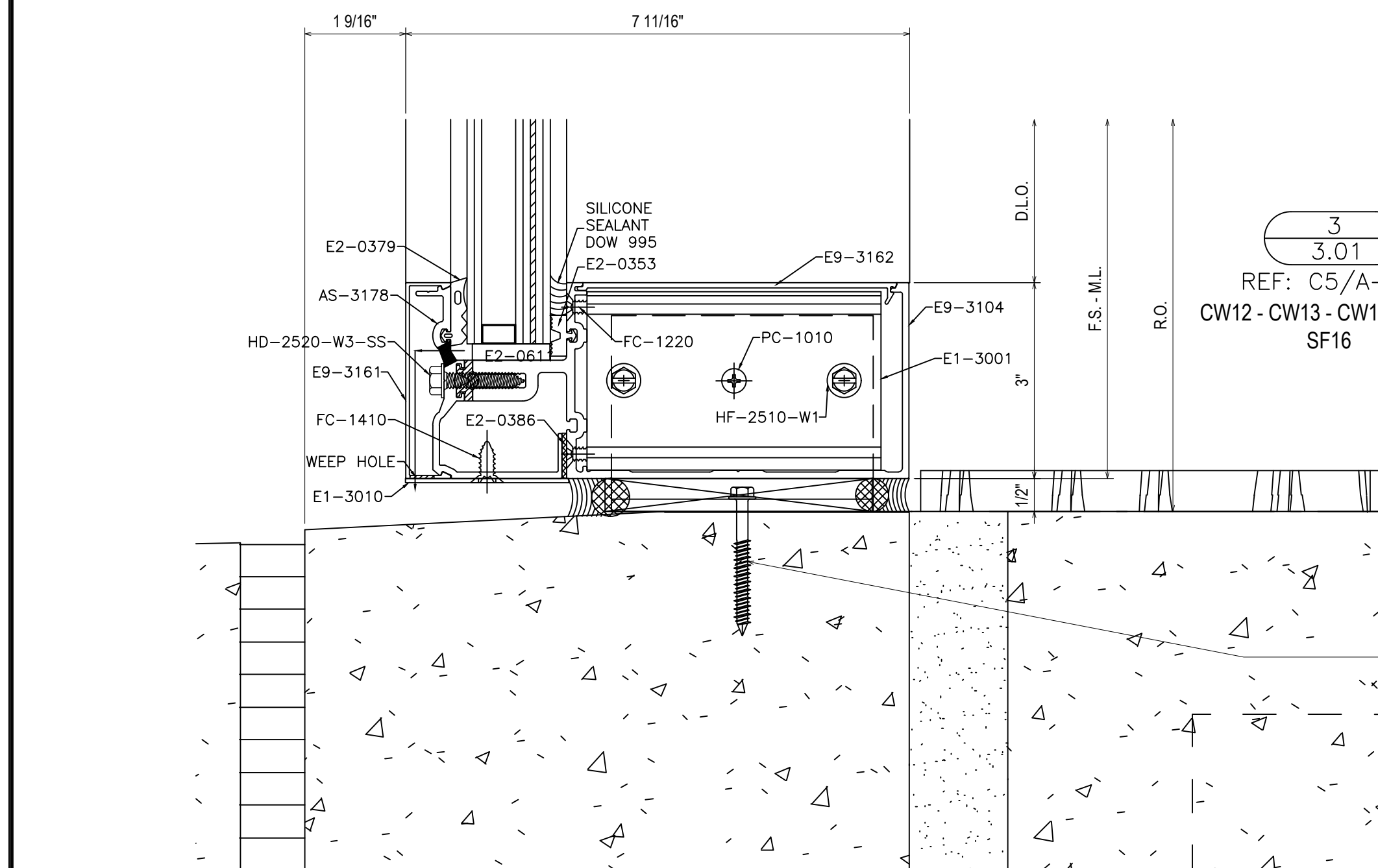


F-/U-CLIP SECURED USING TWO 3/8\"/>

1
3.01
REF: C1/A-514
CW12 - CW14 - CW15 - SF5

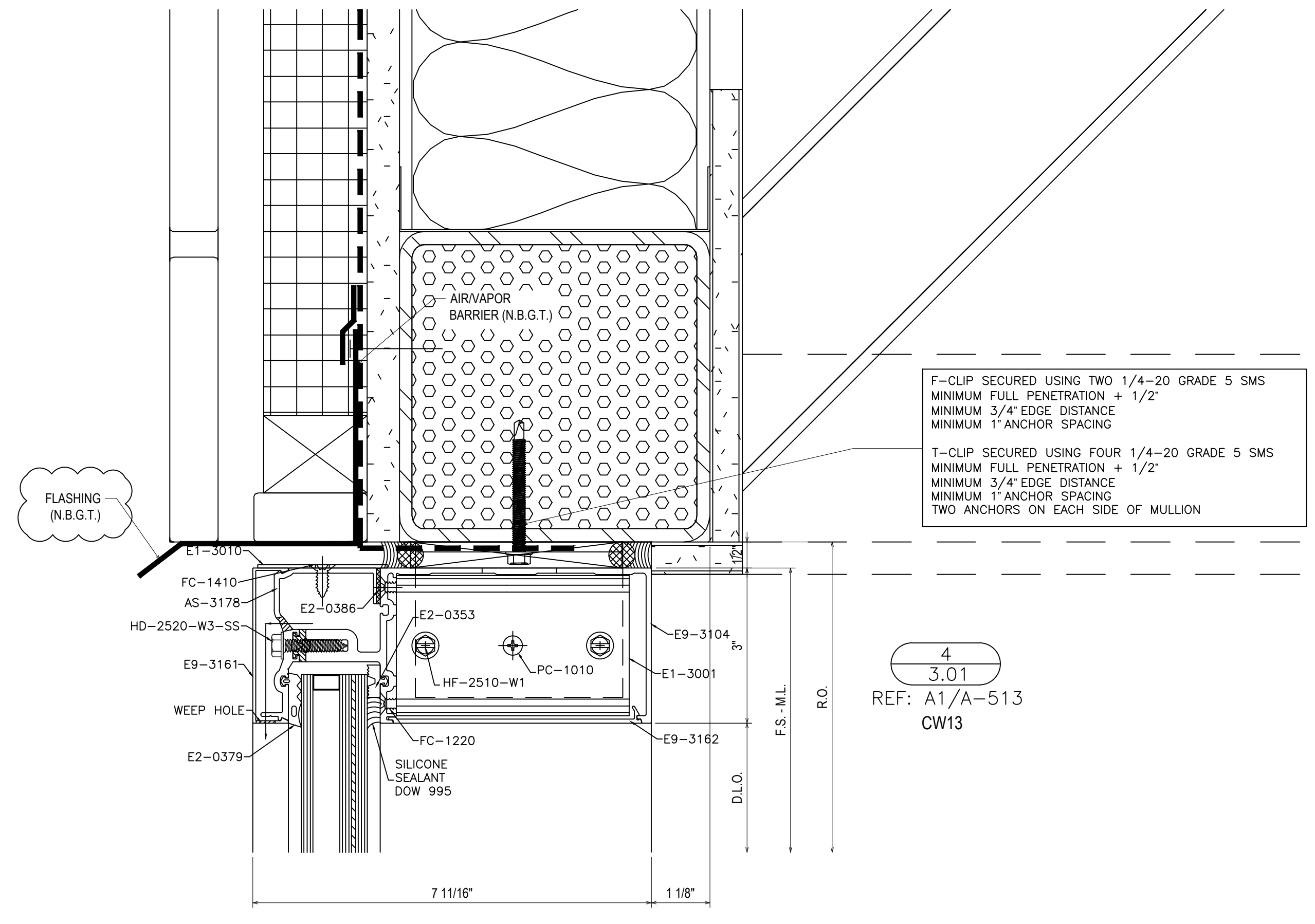


2
3.01
REF: N/A
TYPICAL HORIZONTAL



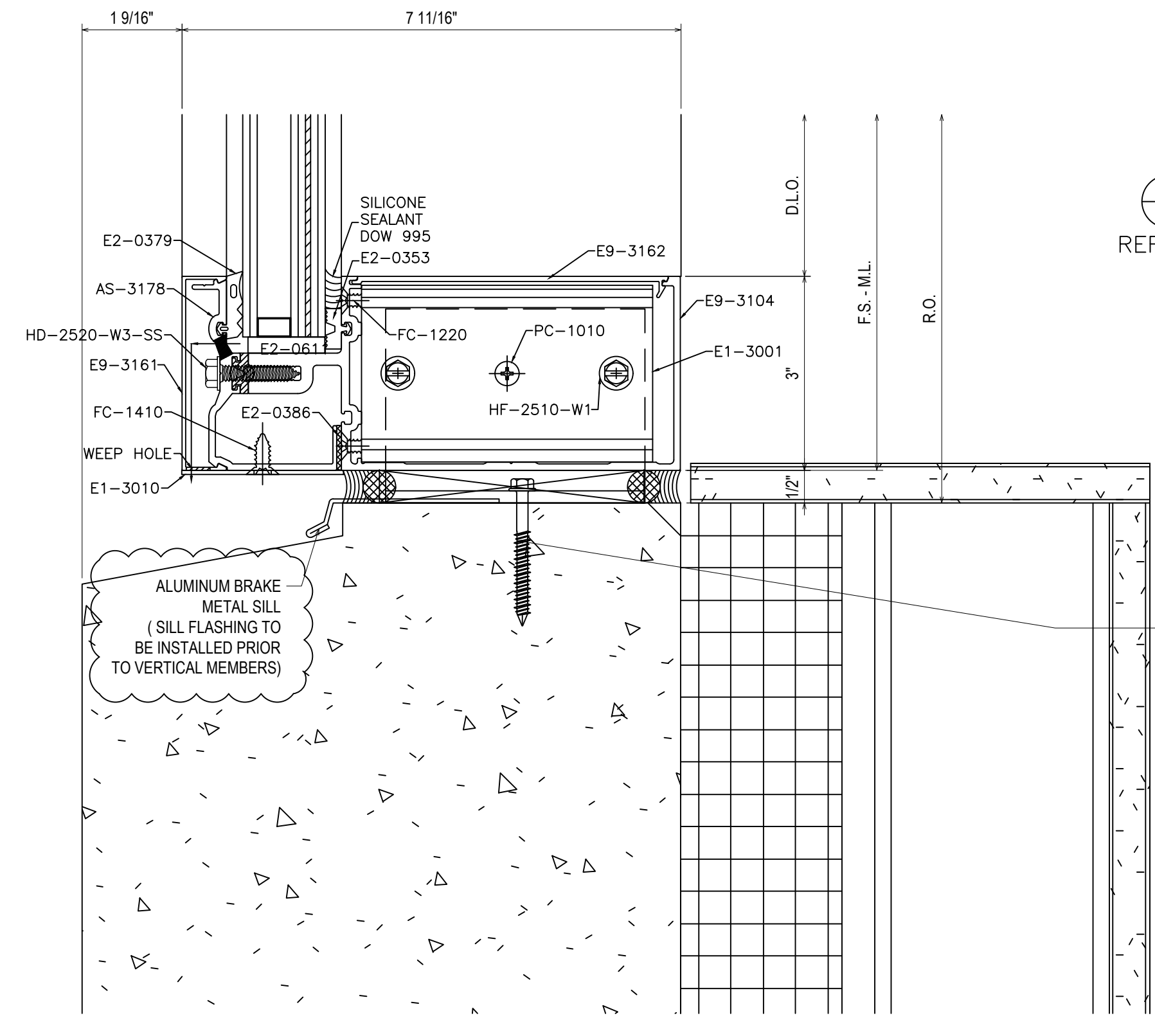
F-/U-CLIP SECURED USING TWO 3/8\"/>

3
3.01
REF: C5/A-511
CW12 - CW13 - CW14 - CW15
SF16



F-CLIP SECURED USING TWO 1/4-20 GRADE 5 SMS
 T-CLIP SECURED USING FOUR 1/4-20 GRADE 5 SMS

4
3.01
REF: A1/A-513
CW13



F-/U-CLIP SECURED USING TWO 3/8\"/>

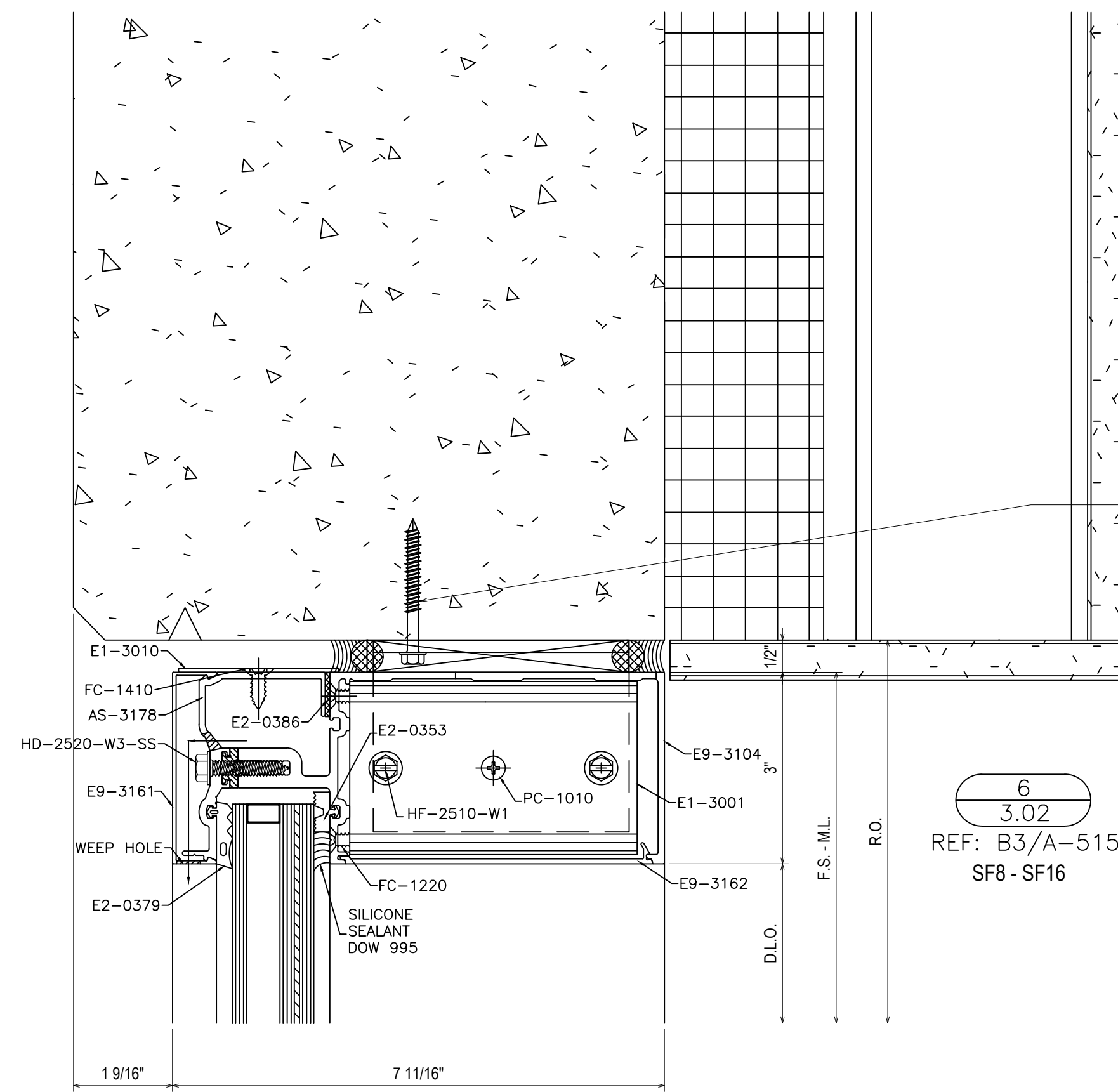
5
3.01
REF: A1/A-515
SF5 - SF8

1ST SUBMISSION	4.22.21
1ST REVISION	7.14.21
2ND REVISION (ENGINEERING)	7.20.21
NO	NO
DESCRIPTION	DRAWING SUBMISSION

GLASS TECH COMMERCIAL GLAZING SERVICES, INC.
 850 WEST STAR STREET
 GREENVILLE, NC 27834
 P: 252.355.9195

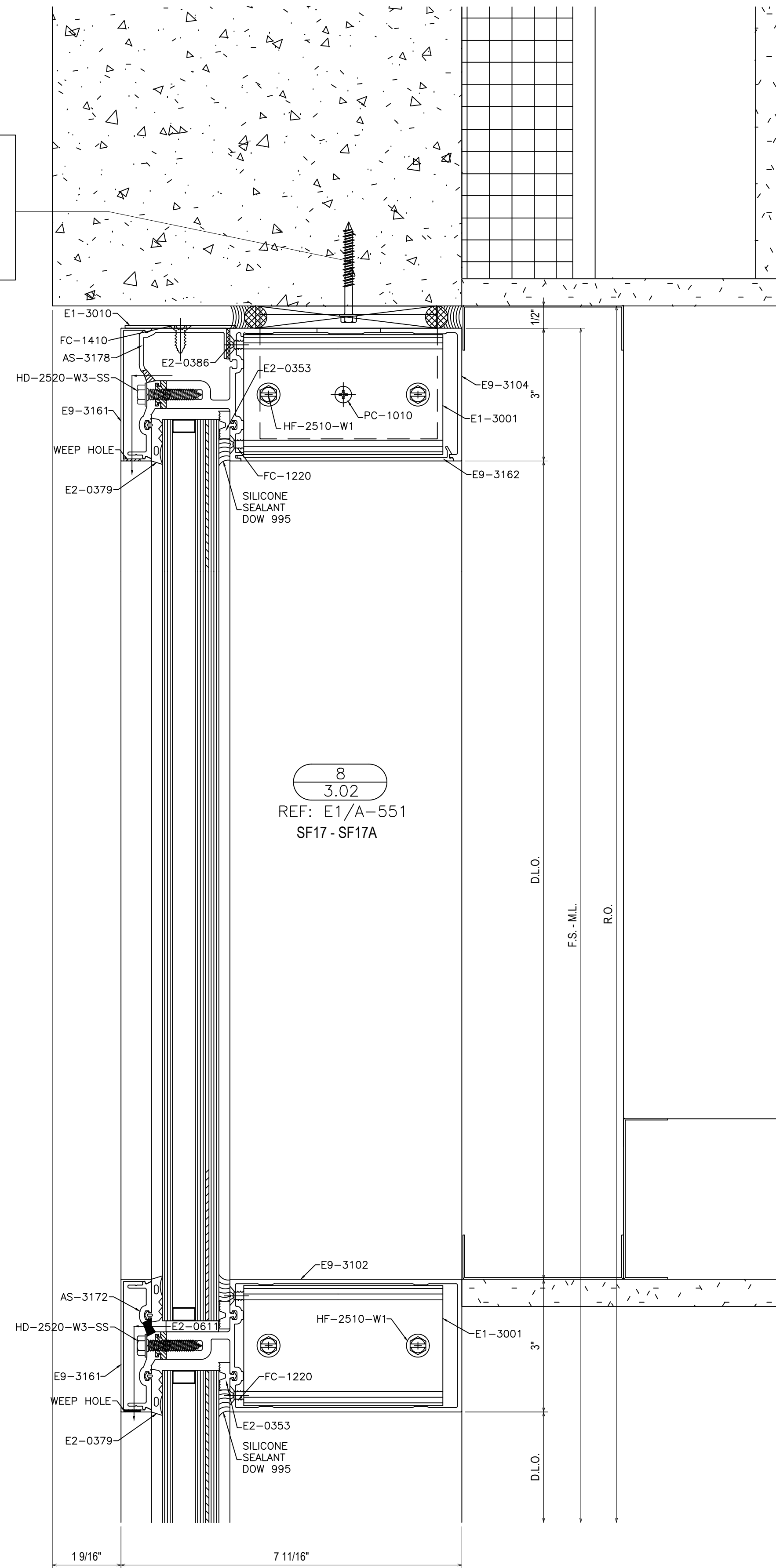
PROJECT: NEW HANOVER COUNTY GOVERNMENT CENTER
 LOCATION: 230 GOVERNMENT CENTER DRIVE WILMINGTON, NC 28403
 ARCHITECT: LS3P ASSOCIATES LTD.
 CUSTOMER: GLASS TECH COMMERCIAL GLAZING SERVICES

DRAWN BY:	DATE:
DJ	4.22.21
CHECKED BY:	DATE:
WH	4.22.21

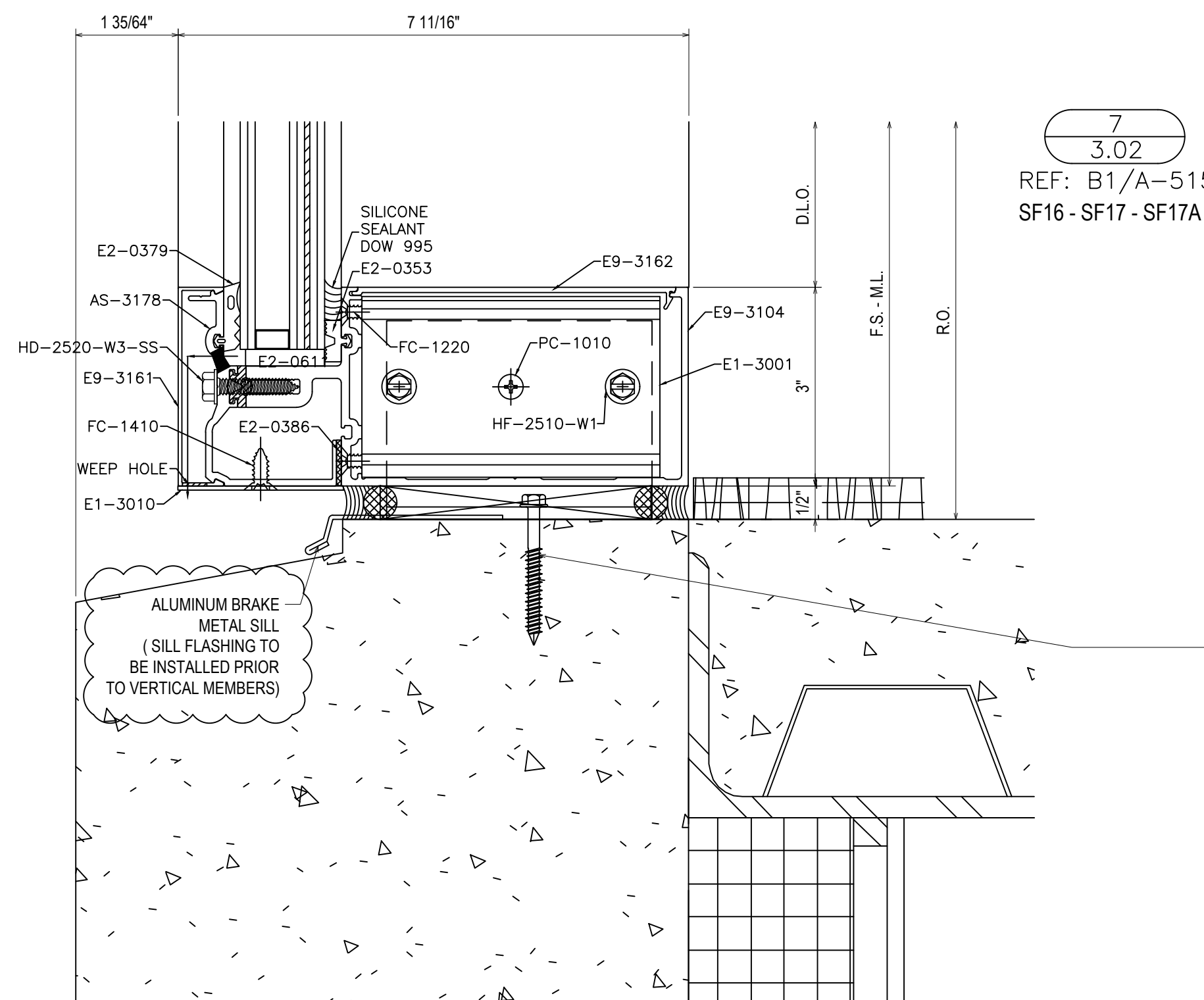


F-/U-CLIP SECURED USING TWO 3/8\"/>

6
3.02
REF: B3/A-515
SF8 - SF16



8
3.02
REF: E1/A-551
SF17 - SF17A



7
3.02
REF: B1/A-515
SF16 - SF17 - SF17A

F-/U-CLIP SECURED USING TWO 3/8\"/>

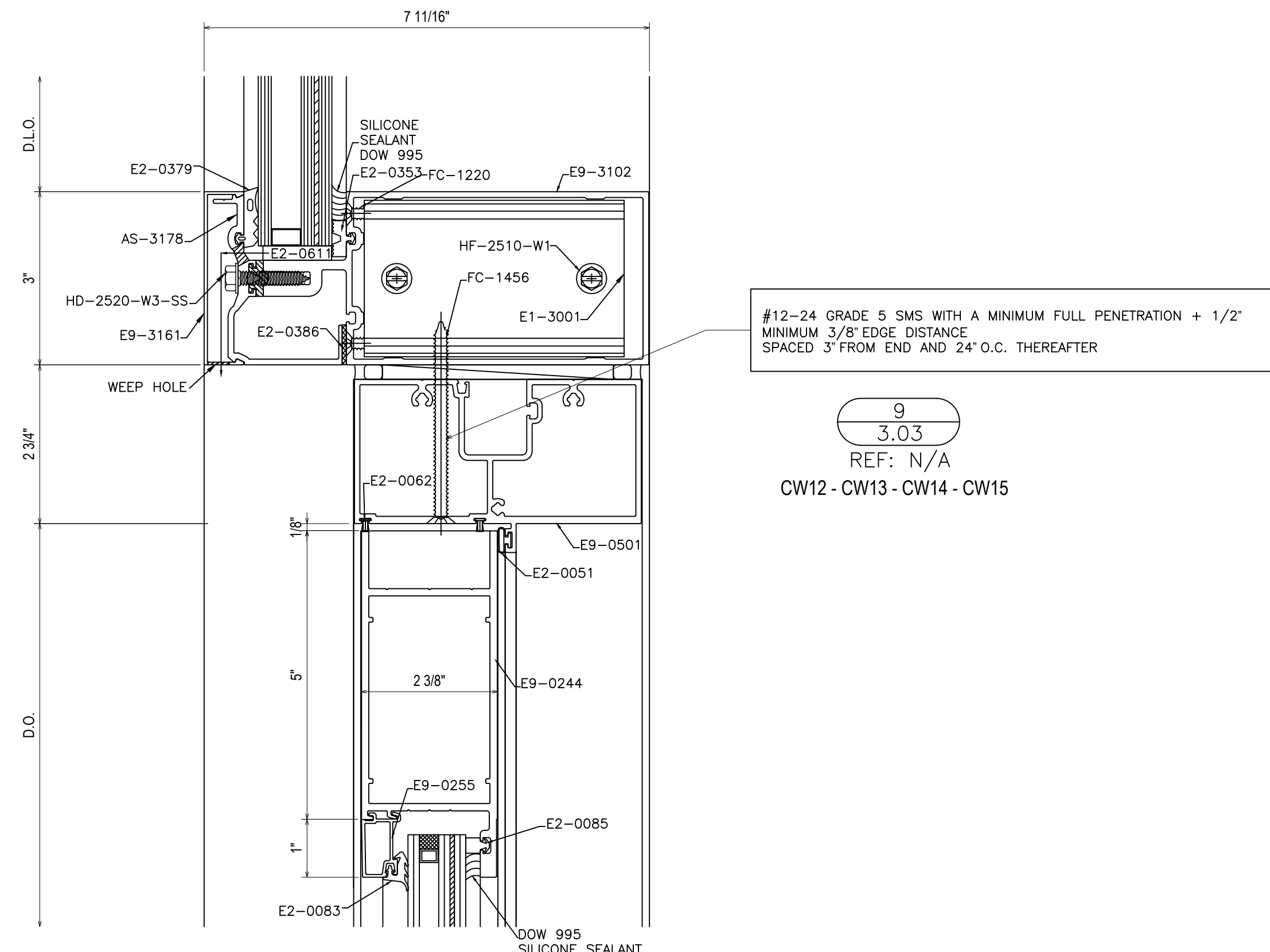
ALUMINUM BRAKE METAL SILL (SILL FLASHING TO BE INSTALLED PRIOR TO VERTICAL MEMBERS)

1ST SUBMISSION	4.22.21
1ST REVISION	7.14.21
2ND REVISION (ENGINEERING)	7.20.21
NO	NO
DESCRIPTION	DATE
DRAWING SUBMISSION	

GLASS TECH COMMERCIAL GLAZING SERVICES, INC.
 850 WEST STAR STREET
 GREENVILLE, NC 27834
 P: 252.355.9195

PROJECT: NEW HANOVER COUNTY GOVERNMENT CENTER
 LOCATION: 230 GOVERNMENT CENTER DRIVE WILMINGTON, NC 28403
 ARCHITECT: LS3P ASSOCIATES LTD.
 CUSTOMER: GLASS TECH COMMERCIAL GLAZING SERVICES

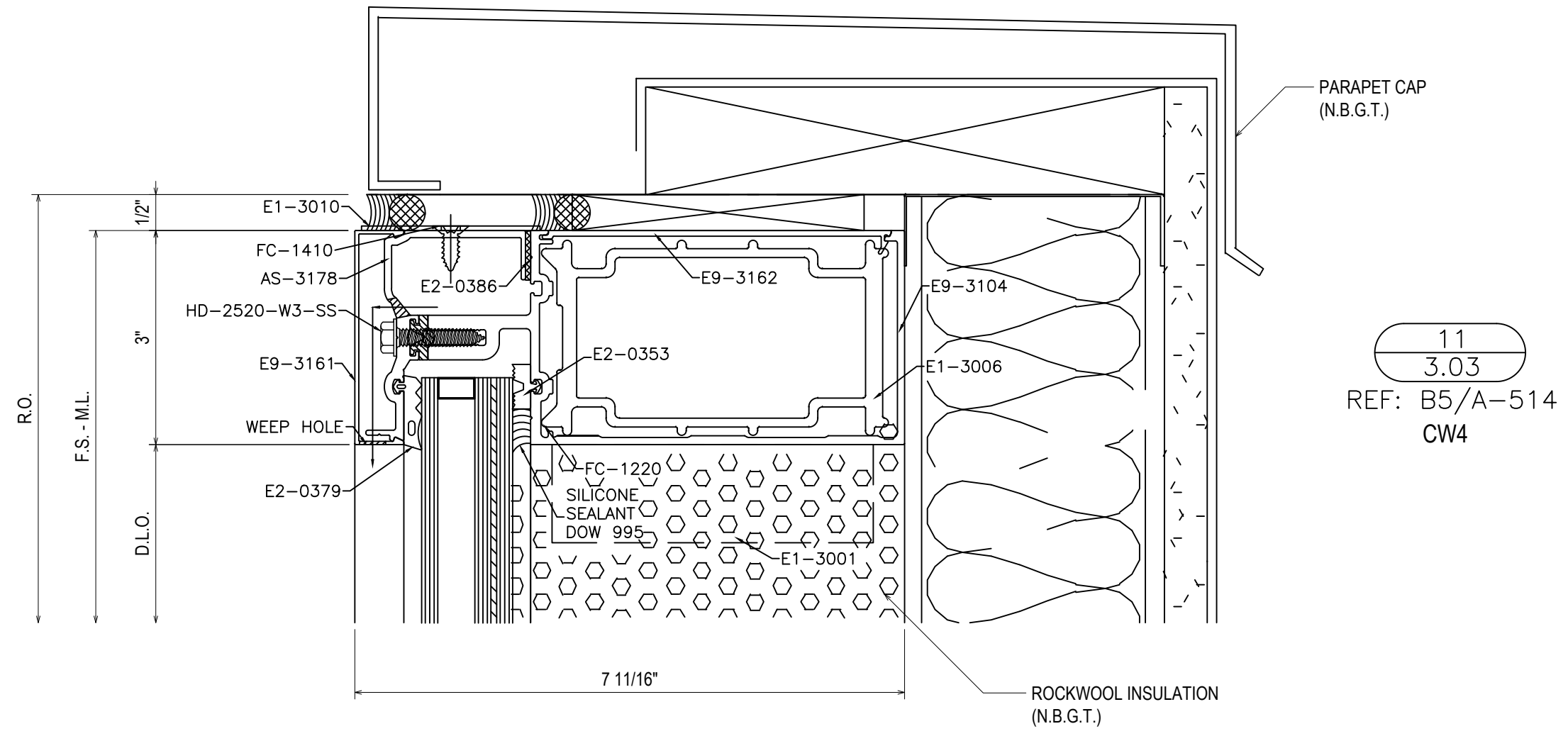
DRAWN BY:	DATE:
DJ	4.22.21
CHECKED BY:	DATE:
WH	4.22.21



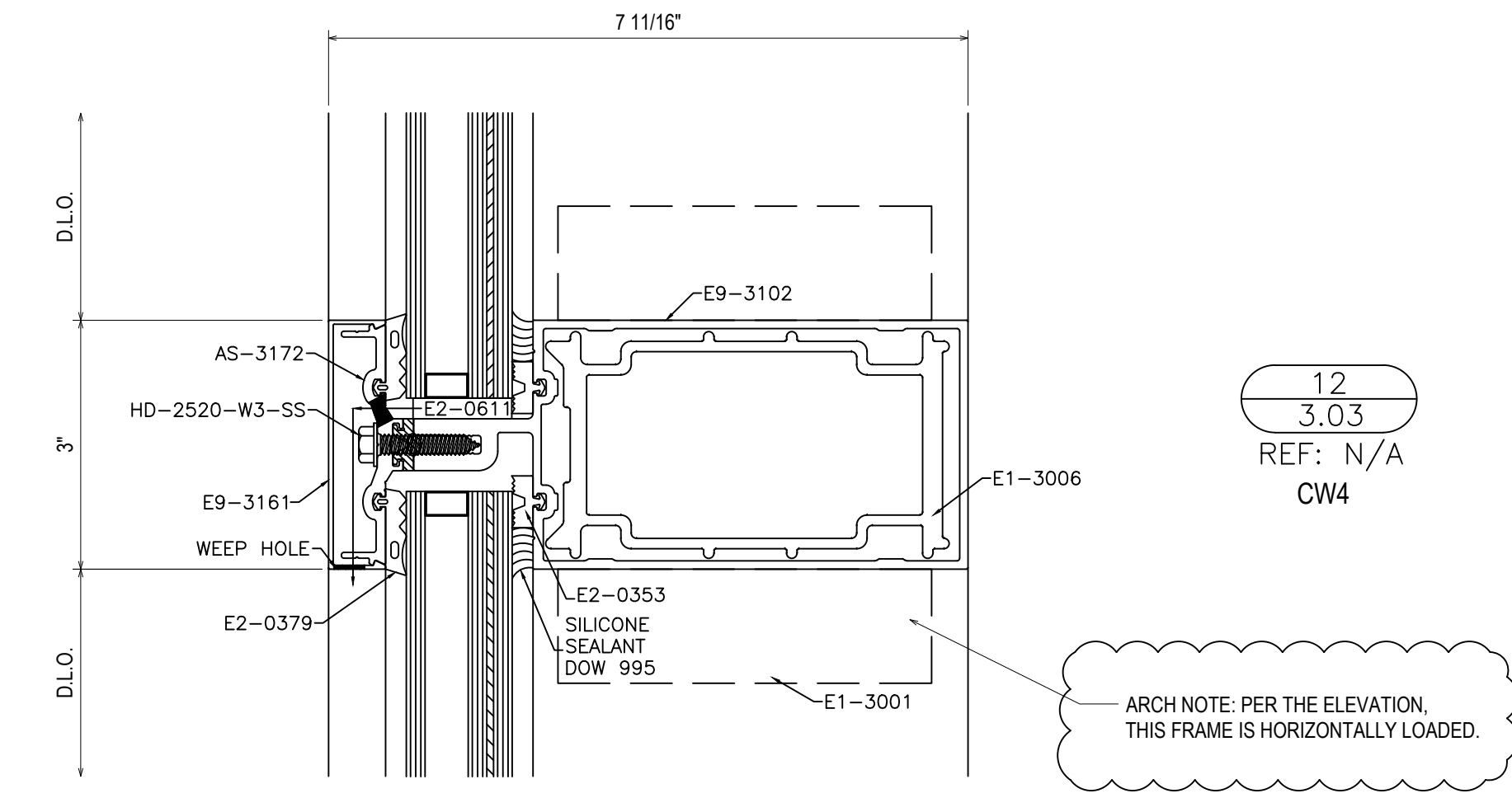
#12-24 GRADE 5 SMS WITH A MINIMUM FULL PENETRATION + 1/2"
MINIMUM 3/8" EDGE DISTANCE
SPACED 3" FROM END AND 24" O.C. THEREAFTER

9
3.03
REF: N/A

CW12 - CW13 - CW14 - CW15

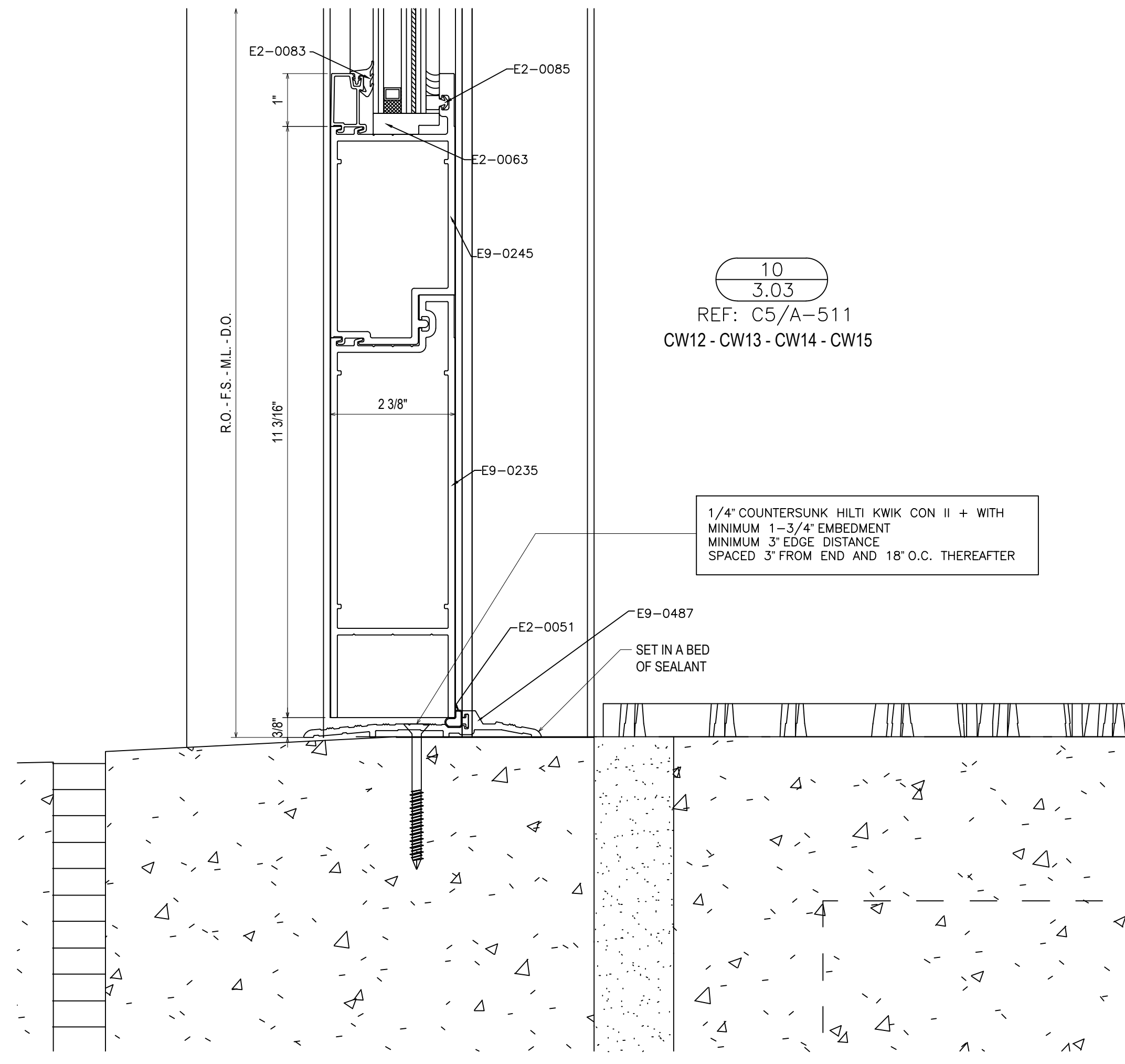


11
3.03
REF: B5/A-514
CW4



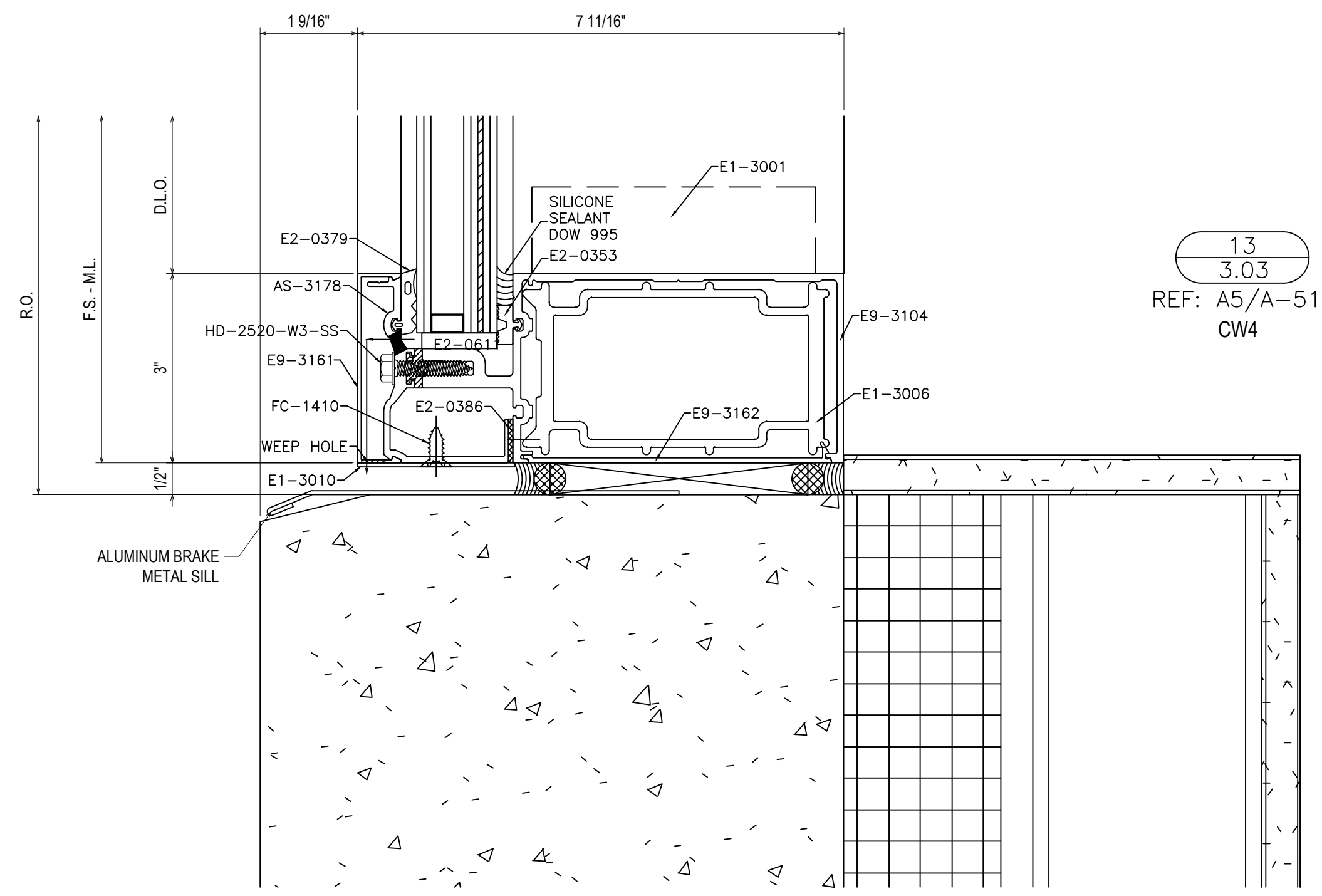
12
3.03
REF: N/A
CW4

ARCH NOTE: PER THE ELEVATION,
THIS FRAME IS HORIZONTALLY LOADED.



10
3.03
REF: C5/A-511

CW12 - CW13 - CW14 - CW15



13
3.03
REF: A5/A-514
CW4

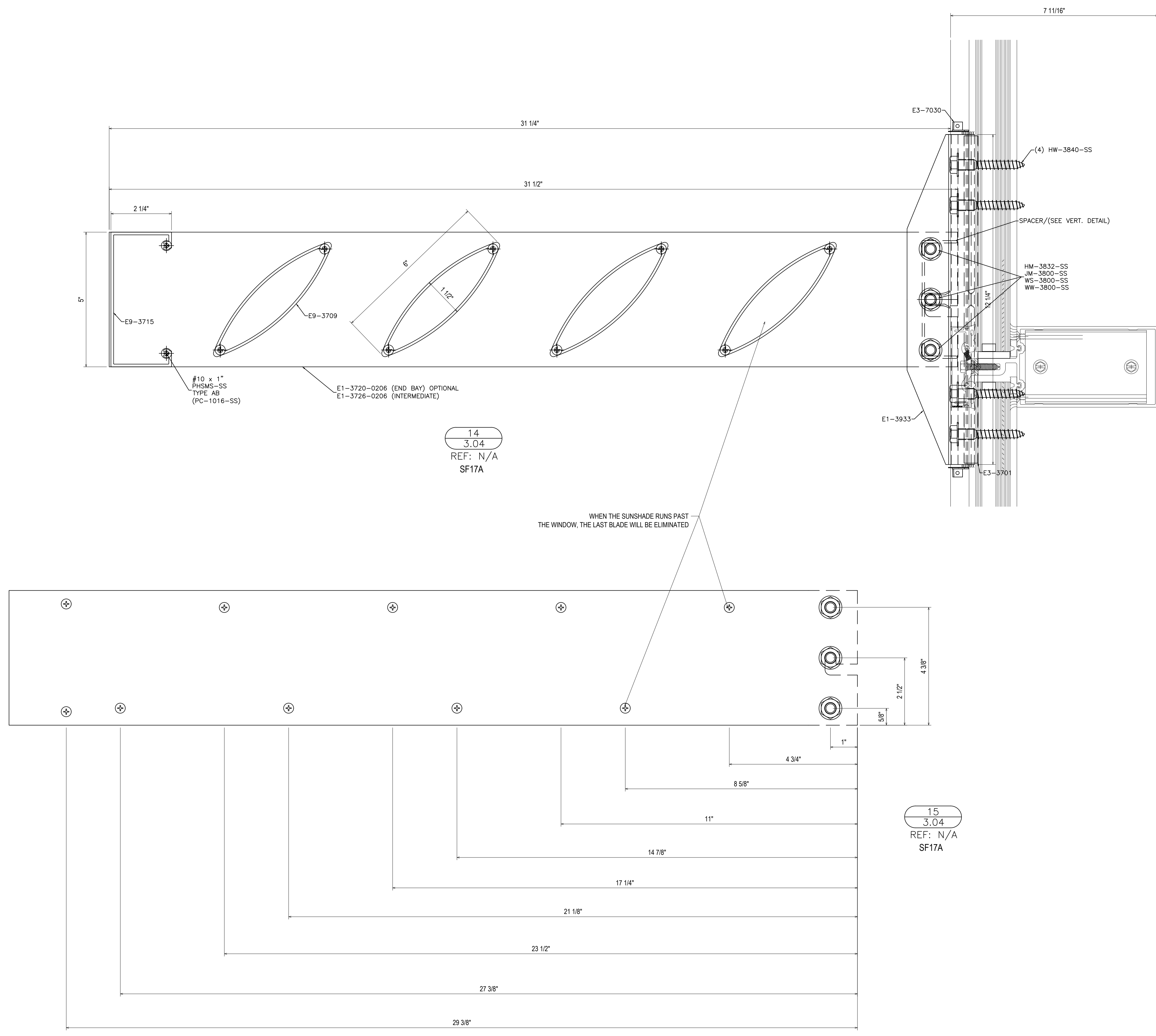
1ST SUBMISSION	4.22.21
1ST REVISION	7.14.21
2ND REVISION (ENGINEERING)	7.20.21
NO	NO
DESCRIPTION	DATE
DRAWING SUBMISSION	

GLASS TECH COMMERCIAL GLAZING SERVICES, INC.
850 WEST STAR STREET
GREENVILLE, NC 27834
P: 252.355.9195

PROJECT: NEW HANOVER COUNTY GOVERNMENT CENTER
LOCATION: 230 GOVERNMENT CENTER DRIVE WILMINGTON, NC 28403
ARCHITECT: LS3P ASSOCIATES LTD.
CUSTOMER: GLASS TECH COMMERCIAL GLAZING SERVICES

DRAWN BY:	DATE:
DJ	4.22.21
CHECKED BY:	DATE:
WH	4.22.21

3.03



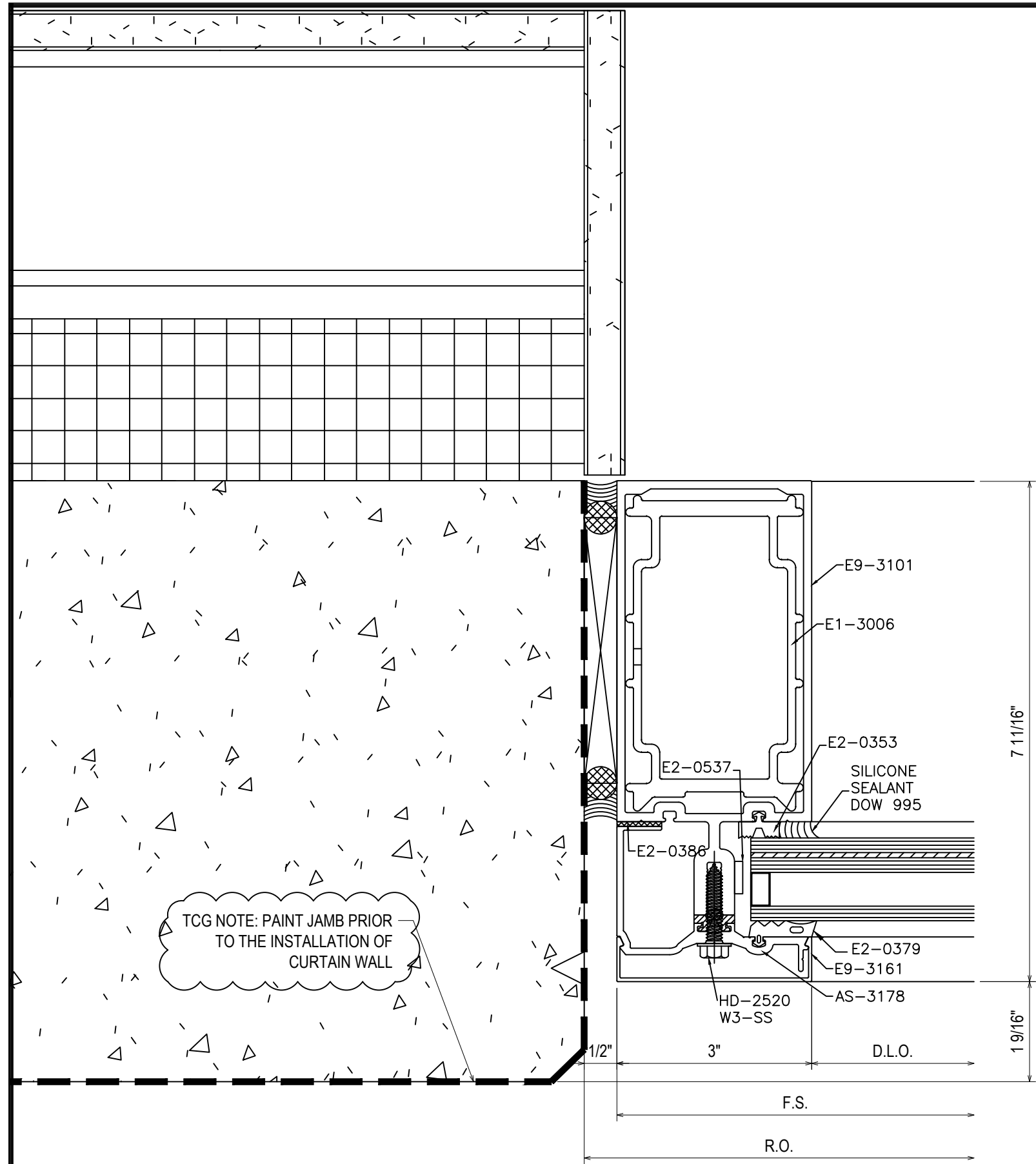
1ST SUBMISSION	4.22.21
1ST REVISION	7.14.21
2ND REVISION (ENGINEERING)	7.20.21
NO	DATE
DESCRIPTION	DRAWING SUBMISSION

GLASS TECH COMMERCIAL GLAZING SERVICES, INC.
 850 WEST STAR STREET
 GREENVILLE, NC 27834
 P: 252.355.9195

PROJECT: NEW HANOVER COUNTY
 GOVERNMENT CENTER
 LOCATION: 230 GOVERNMENT CENTER DRIVE
 WILMINGTON, NC 28403
 ARCHITECT: LS3P ASSOCIATES LTD.
 CUSTOMER: GLASS TECH COMMERCIAL GLAZING SERVICES

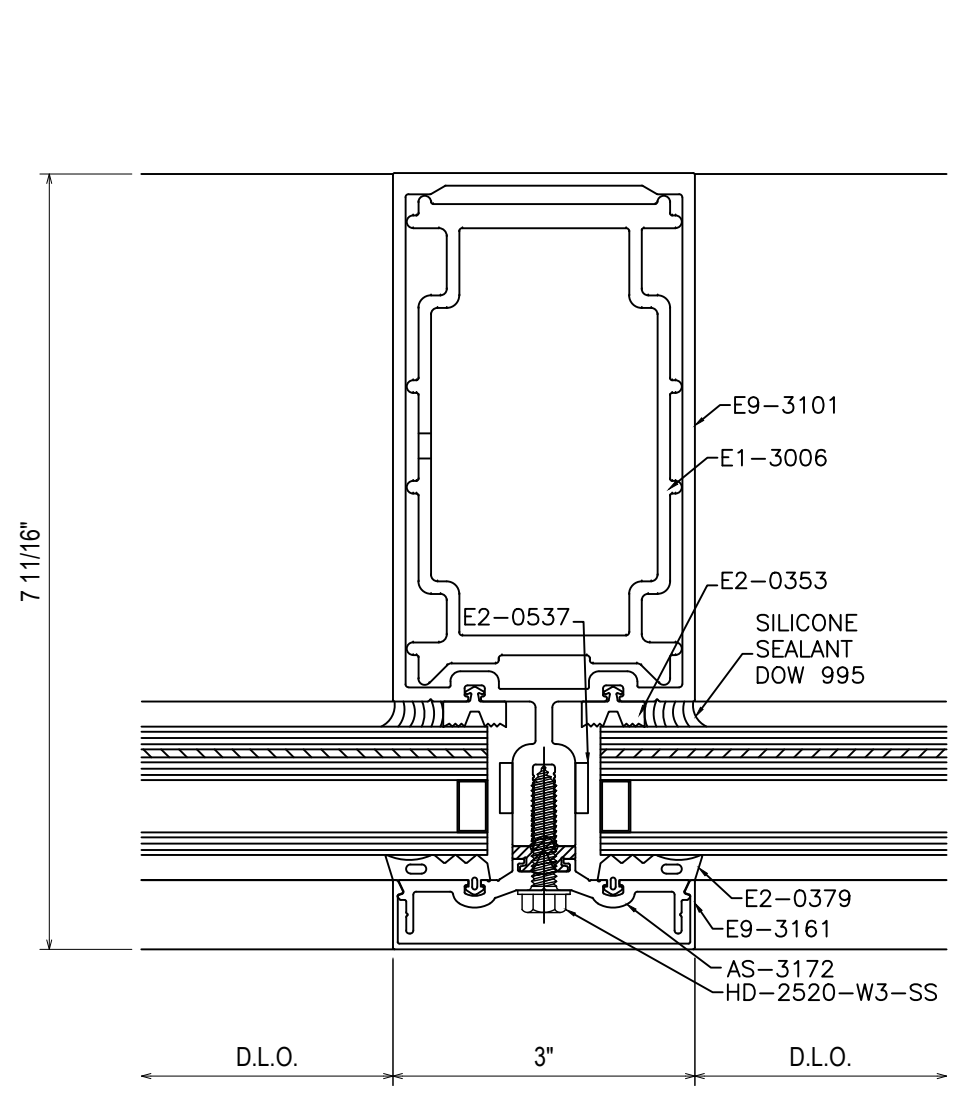
DRAWN BY:	DATE:
DJ	4.22.21
CHECKED BY:	DATE:
WH	4.22.21

3.04



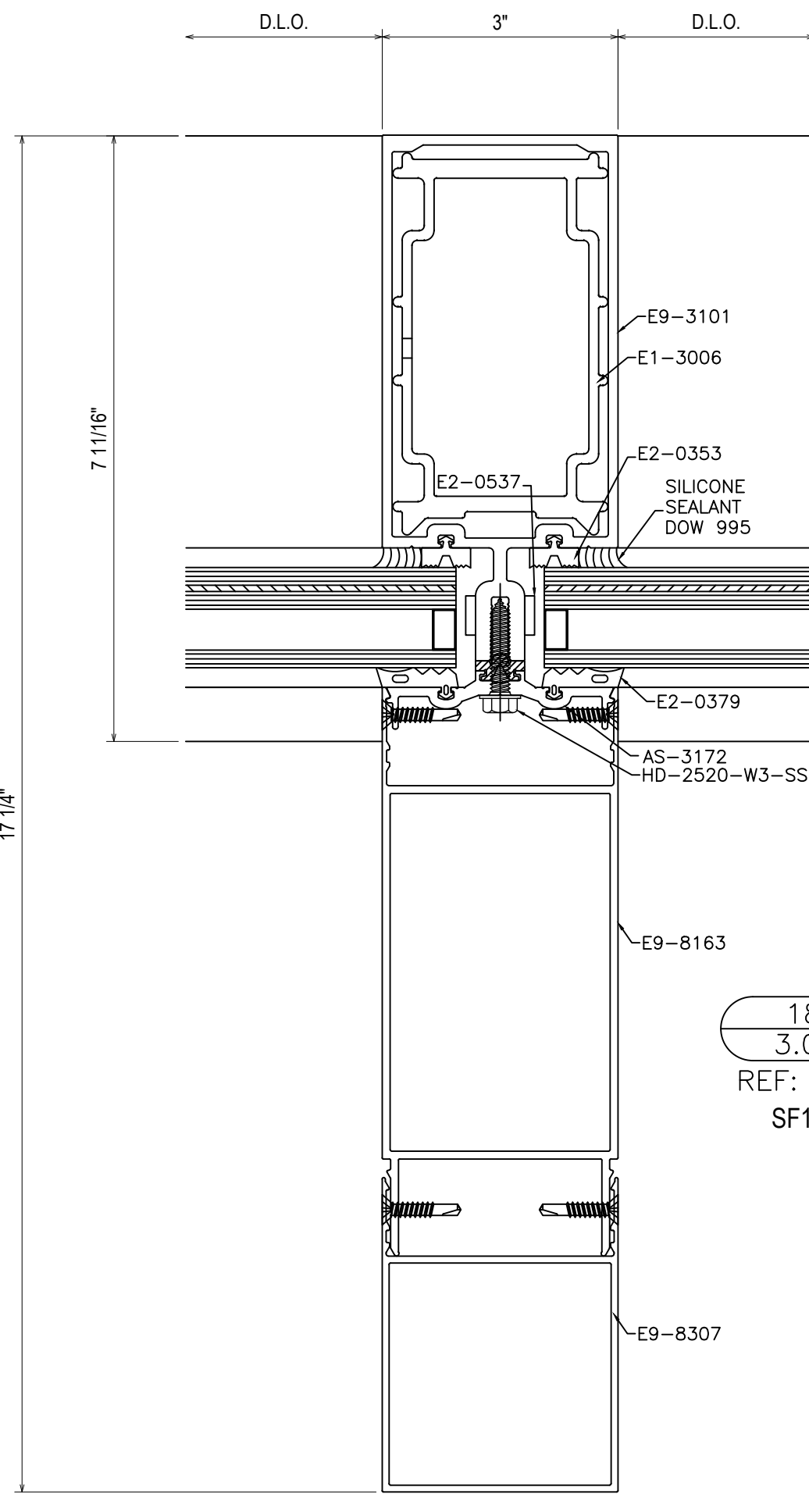
16
3.05

REF: B3/A-515 SIM.
CW12 - CW14 - CW15 - SF5
SF8 - SF16 - SF17 - SF17A



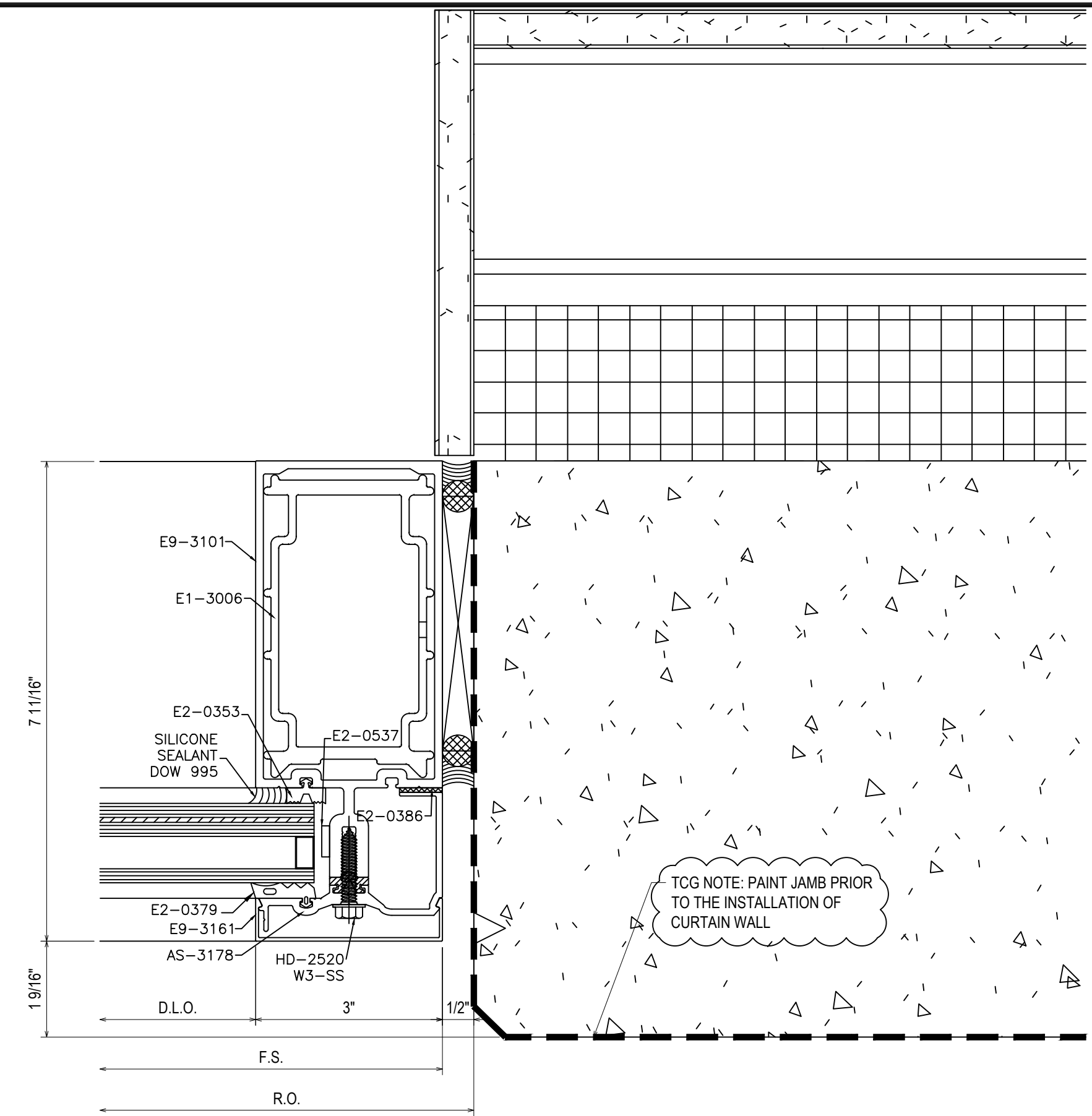
17
3.05

REF: N/A
TYPICAL VERTICAL



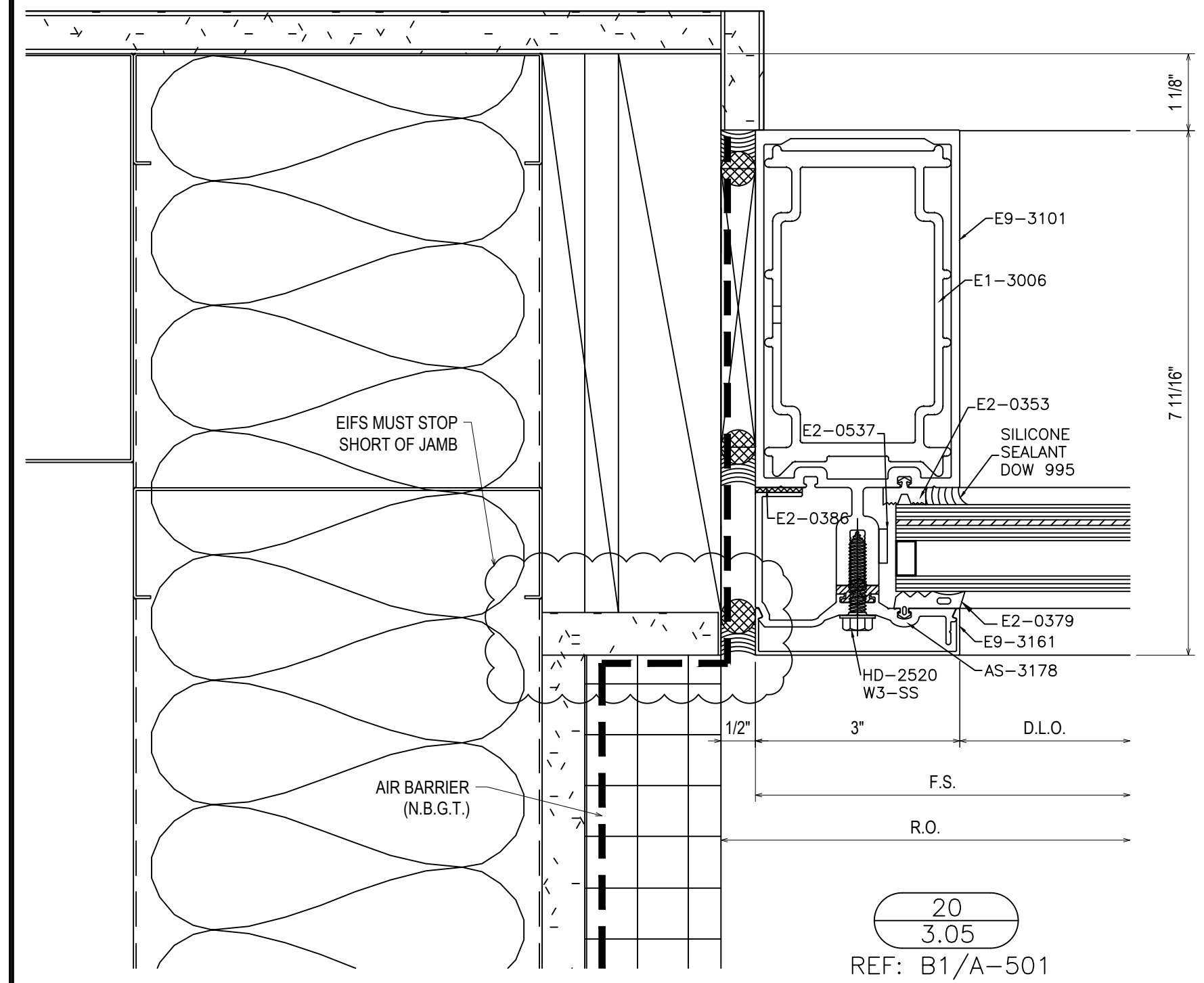
18
3.05

REF: N/A
SF16



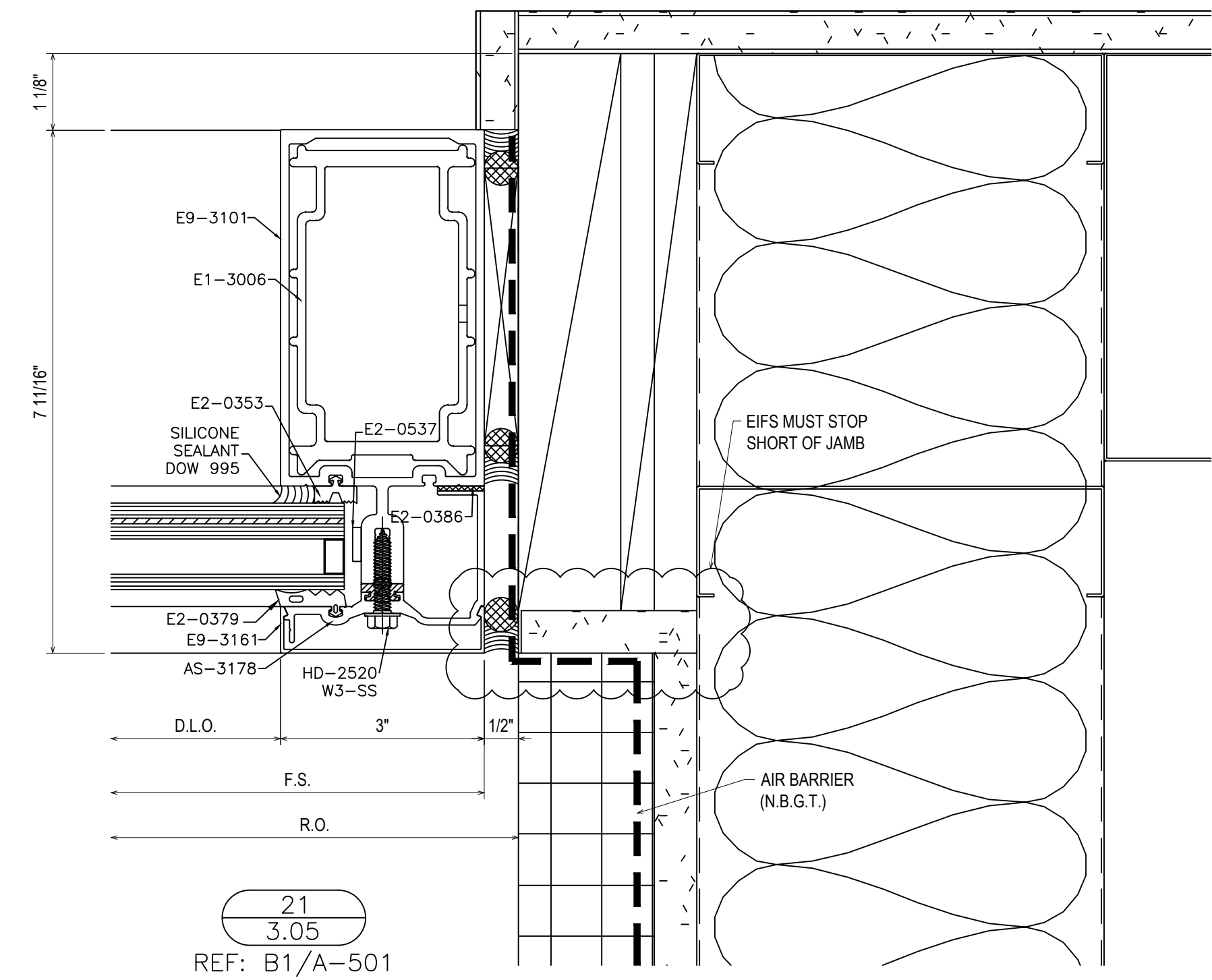
19
3.05

REF: B3/A-515 SIM.
CW12 - CW14 - CW15 - SF5
SF8 - SF16 - SF17 - SF17A



20
3.05

REF: B1/A-501
CW13

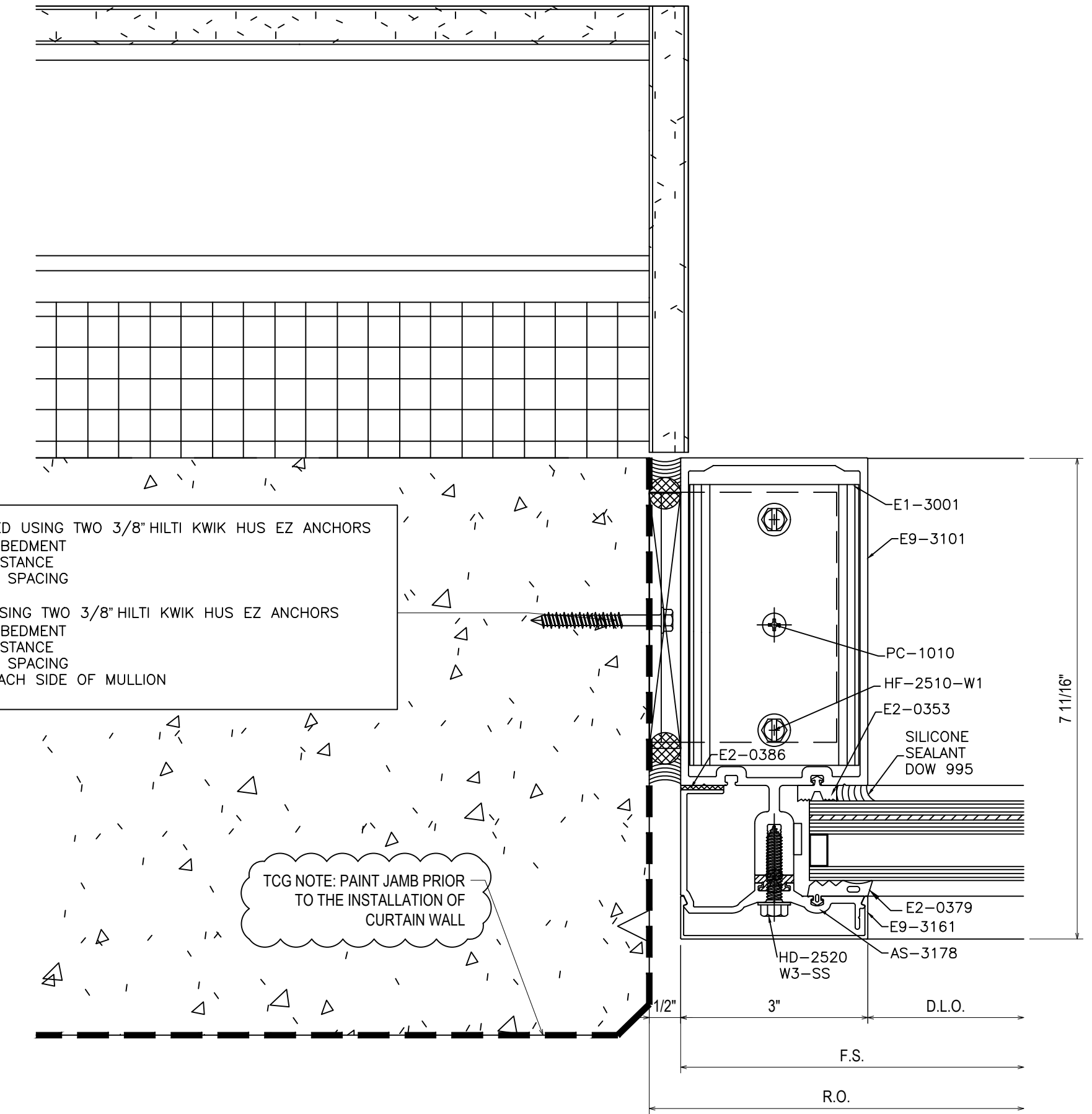


21
3.05

REF: B1/A-501
CW13

F-/U-CLIP SECURED USING TWO 3/8" HILTI KWIK HUS EZ ANCHORS
MINIMUM 2-1/2" EMBEDMENT
MINIMUM 3" EDGE DISTANCE
MINIMUM 3" ANCHOR SPACING

T-CLIP SECURED USING TWO 3/8" HILTI KWIK HUS EZ ANCHORS
MINIMUM 2-1/2" EMBEDMENT
MINIMUM 3" EDGE DISTANCE
MINIMUM 3" ANCHOR SPACING
ONE ANCHOR ON EACH SIDE OF MULLION



22
3.05

REF: B3/A-515 SIM.
CW4

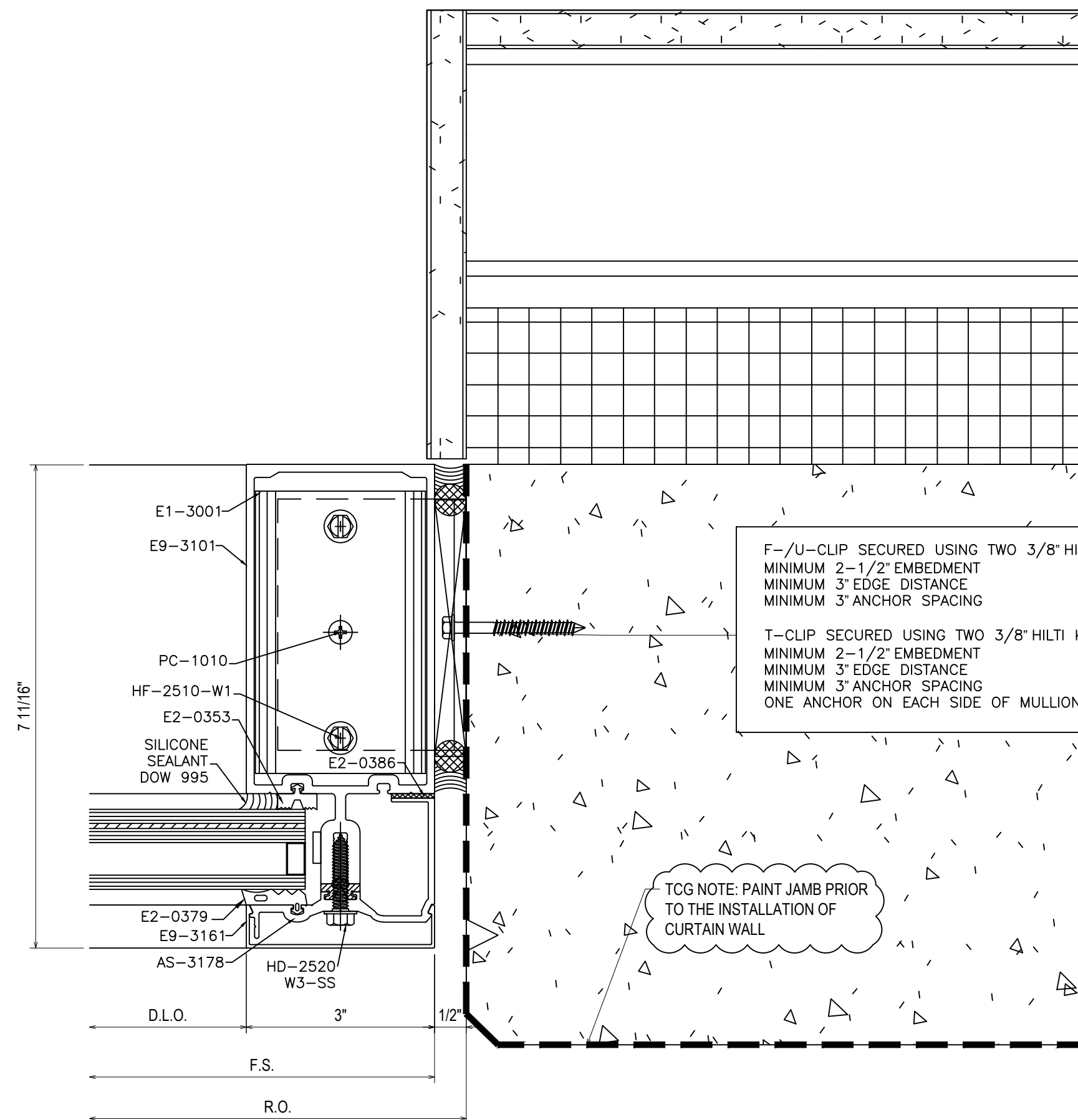
1ST SUBMISSION	4.22.21
1ST REVISION	7.14.21
2ND REVISION (ENGINEERING)	7.20.21
NO	NO
DESCRIPTION	DRAWING SUBMISSION

GLASS TECH COMMERCIAL GLAZING SERVICES, INC.
850 WEST STAR STREET
GREENVILLE, NC 27834
P: 252.355.9195

PROJECT: NEW HANOVER COUNTY GOVERNMENT CENTER
LOCATION: 230 GOVERNMENT CENTER DRIVE WILMINGTON, NC 28403
ARCHITECT: LS3P ASSOCIATES LTD.
CUSTOMER: GLASS TECH COMMERCIAL GLAZING SERVICES

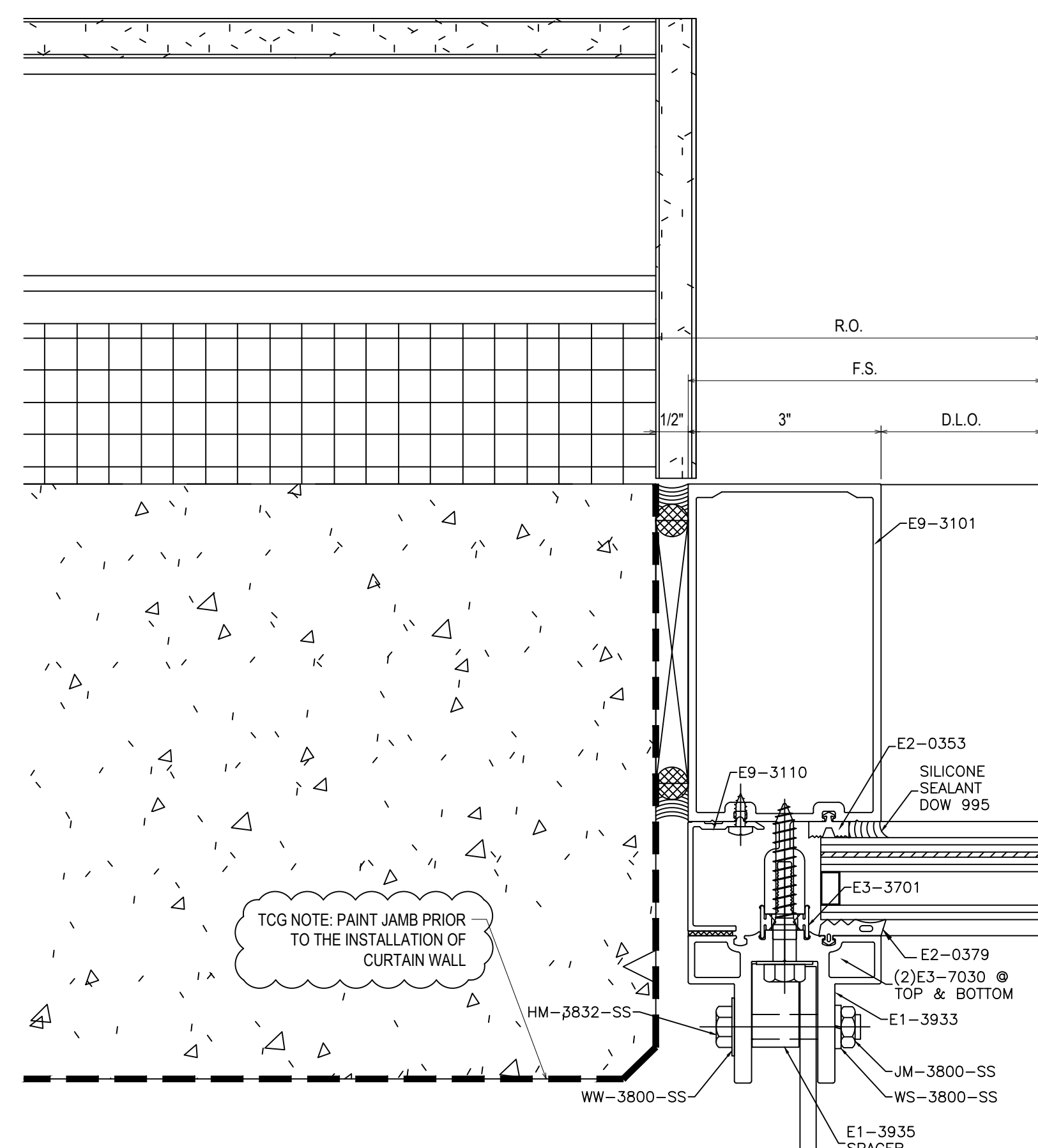
DRAWN BY: DJ	DATE: 4.22.21
CHECKED BY: WH	DATE: 4.22.21

3.05



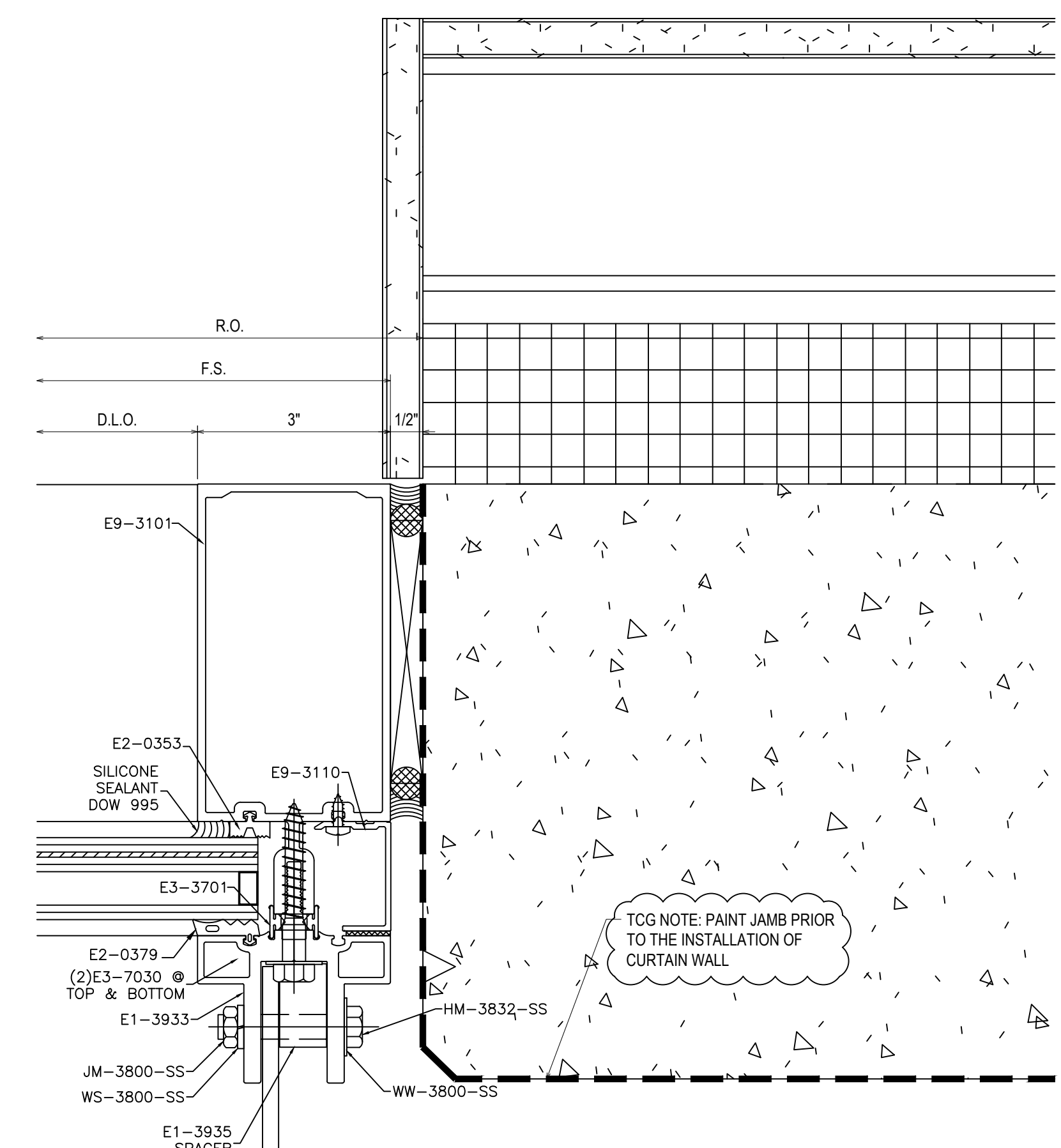
23
3.06

REF: B3/A-515 SIM.
CW4



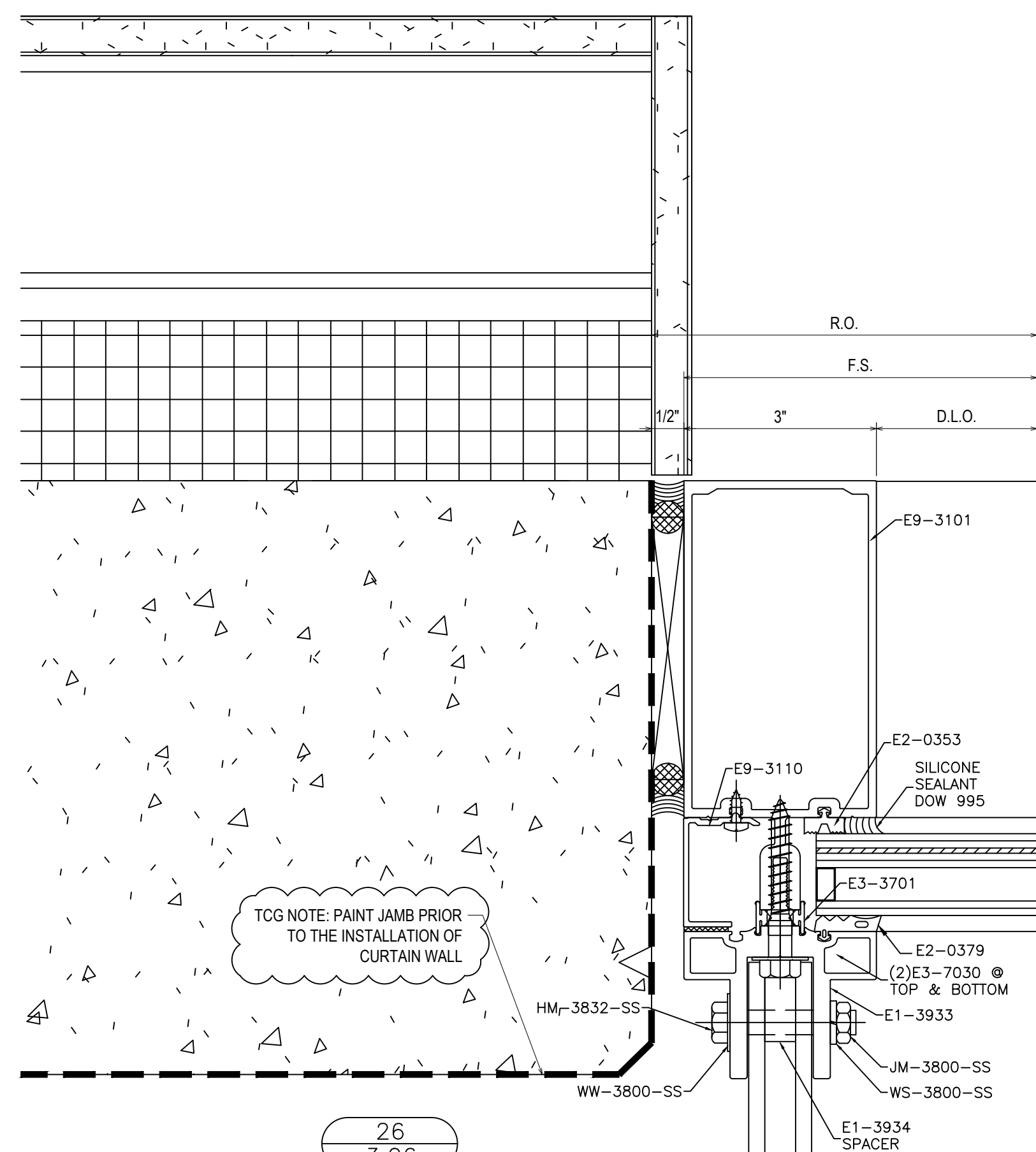
24
3.06

REF: B3/A-515 SIM.
SF17A
@ SUNSHADE



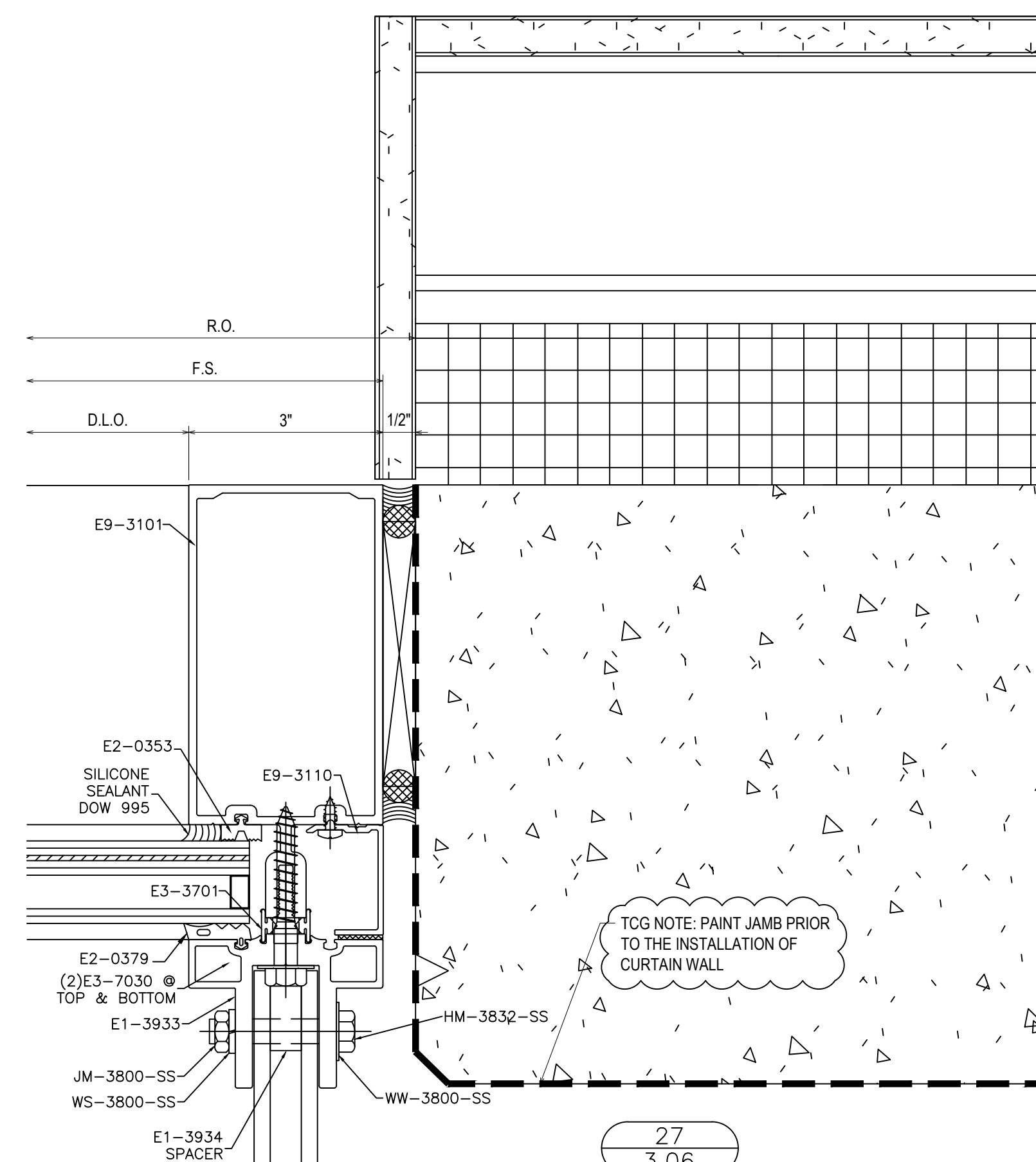
25
3.06

REF: B3/A-515 SIM.
SF17A
@ SUNSHADE



26
3.06

REF: B3/A-515 SIM.
SF17A
@ SUNSHADE



27
3.06

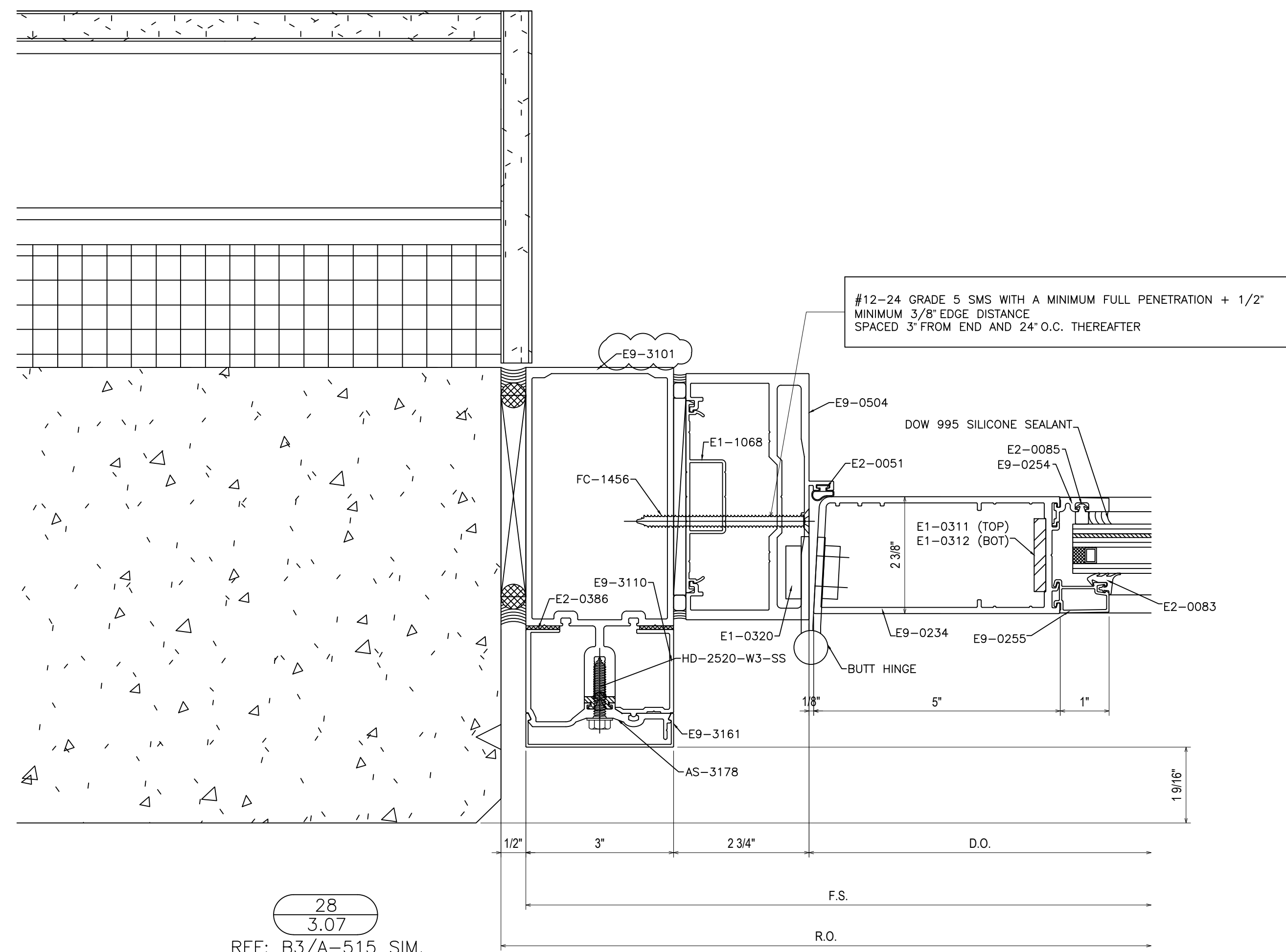
REF: B3/A-515 SIM.
SF17A
@ SUNSHADE

1ST SUBMISSION	4.22.21
1ST REVISION	7.14.21
2ND REVISION (ENGINEERING)	7.20.21
NO	NO
DESCRIPTION	DATE
DRAWING SUBMISSION	

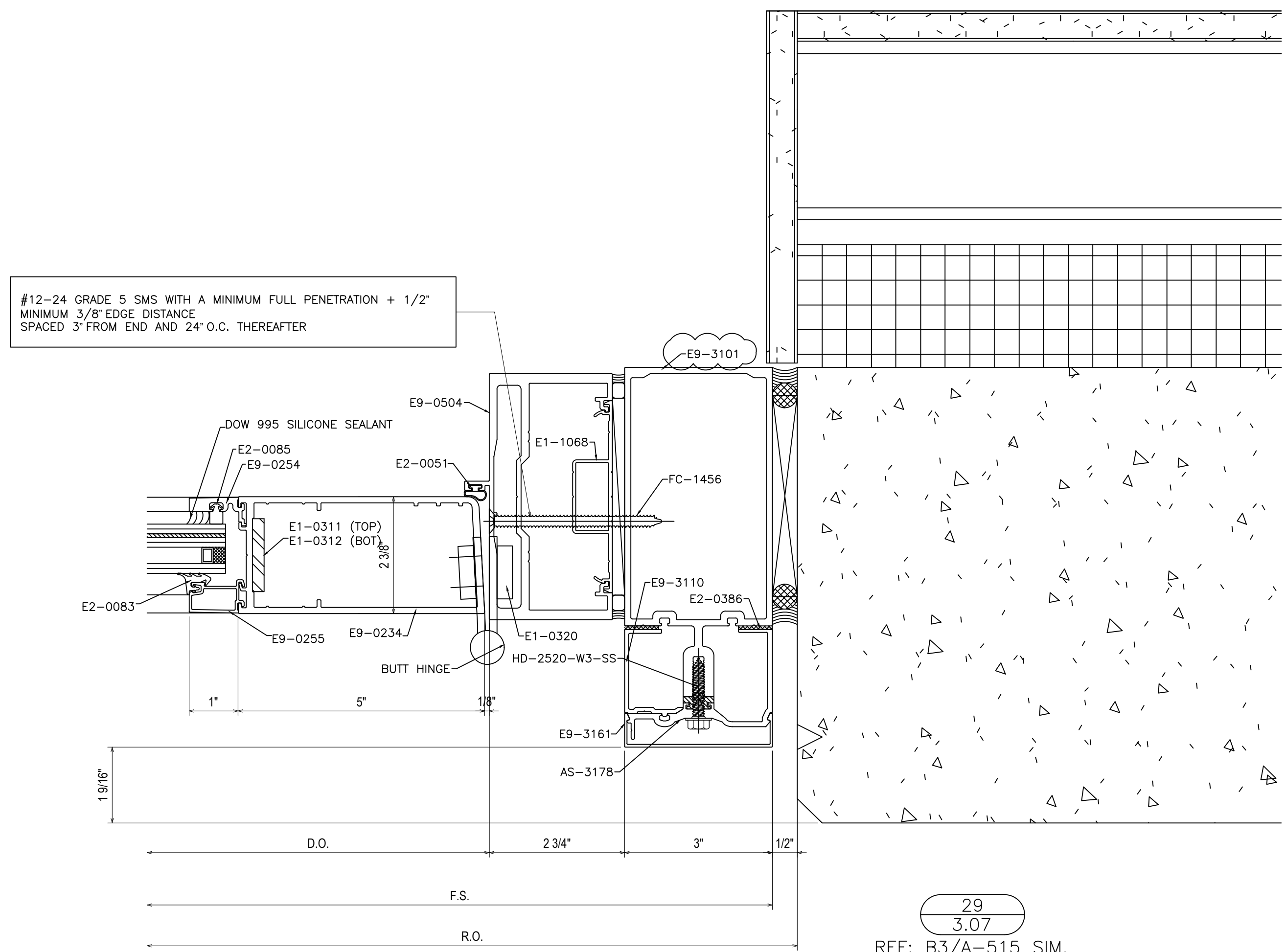
GLASS TECH COMMERCIAL GLAZING SERVICES, INC.
 850 WEST STAR STREET
 GREENVILLE, NC 27834
 P: 252.355.9195

PROJECT: NEW HANOVER COUNTY GOVERNMENT CENTER
 LOCATION: 230 GOVERNMENT CENTER DRIVE WILMINGTON, NC 28403
 ARCHITECT: LS3P ASSOCIATES LTD.
 CUSTOMER: GLASS TECH COMMERCIAL GLAZING SERVICES

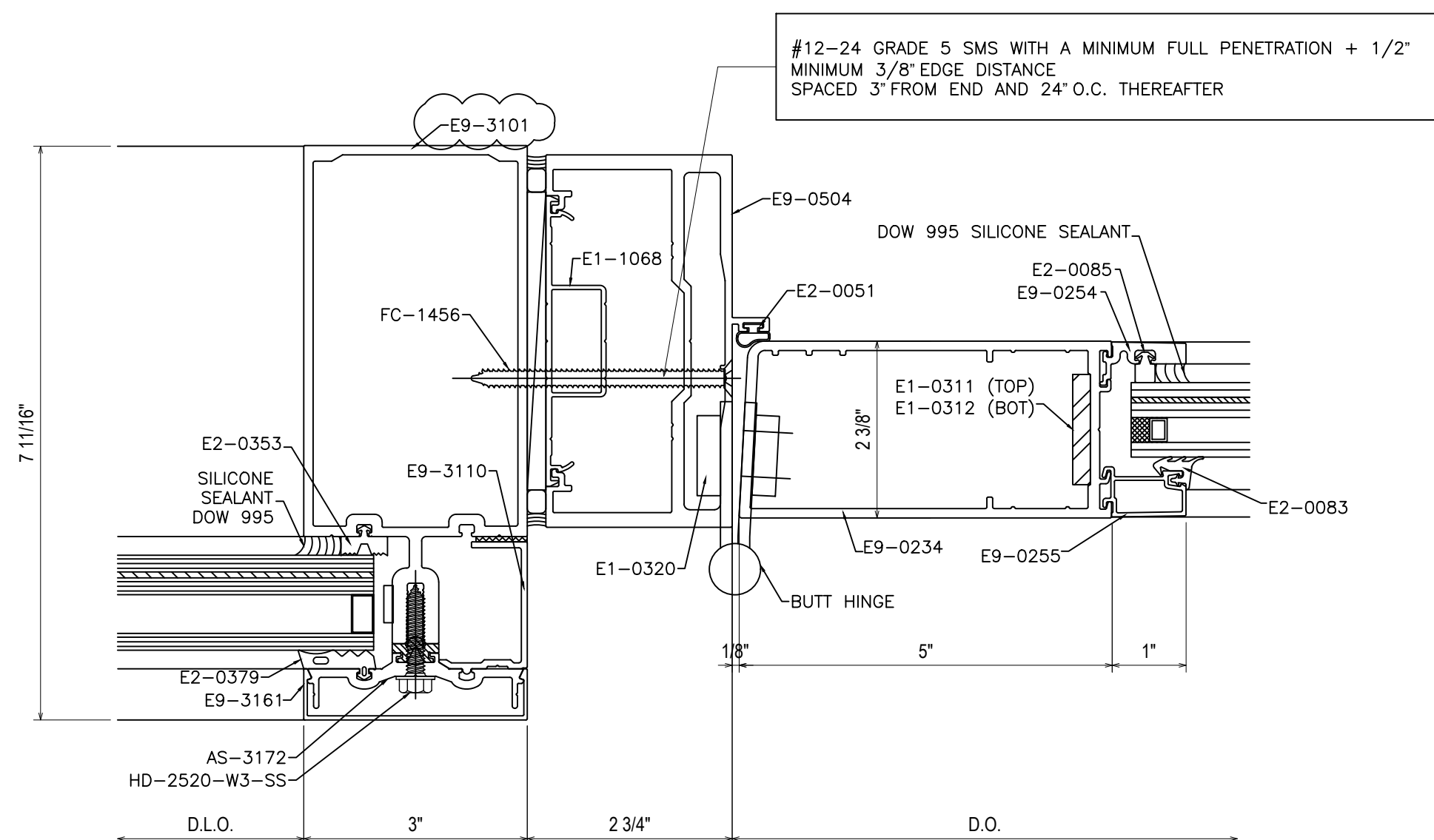
DRAWN BY:	DATE:
DJ	4.22.21
CHECKED BY:	DATE:
WH	4.22.21



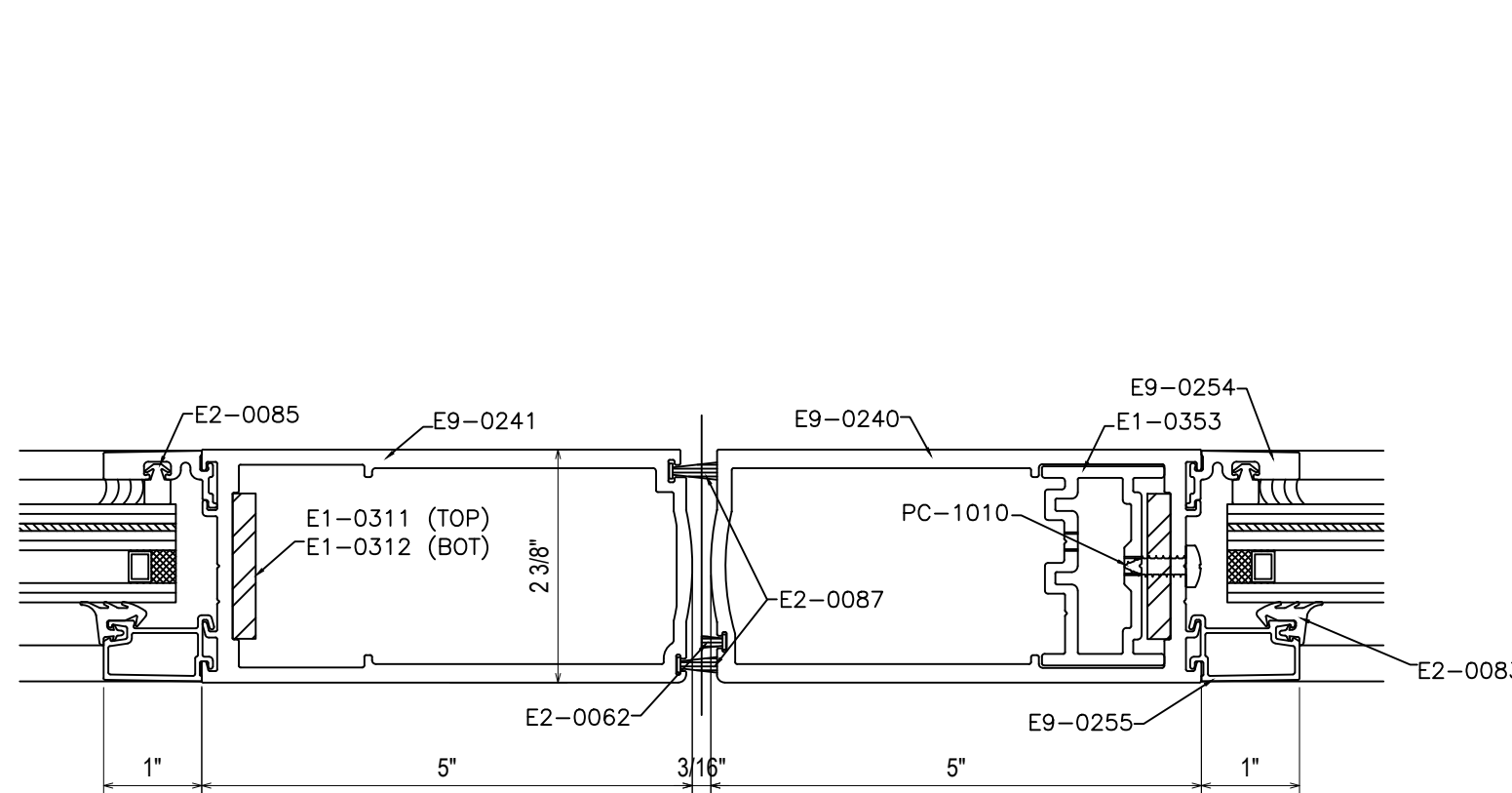
28
3.07
REF: B3/A-515 SIM.
CW15



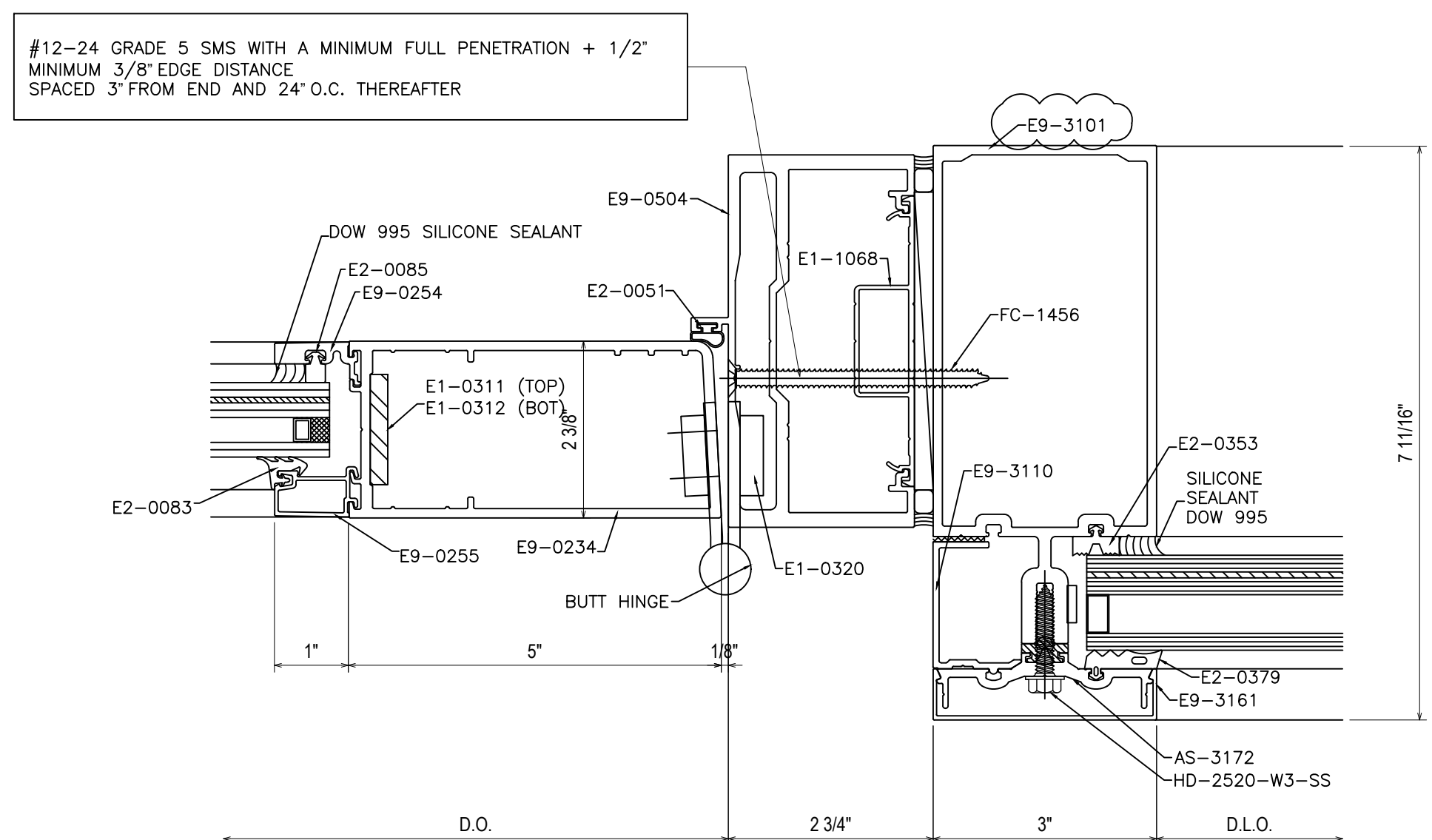
29
3.07
REF: B3/A-515 SIM.
CW12 - CW14



30
3.07
REF: N/A
CW12 - CW13 - CW14



31
3.07
REF: N/A
CW13



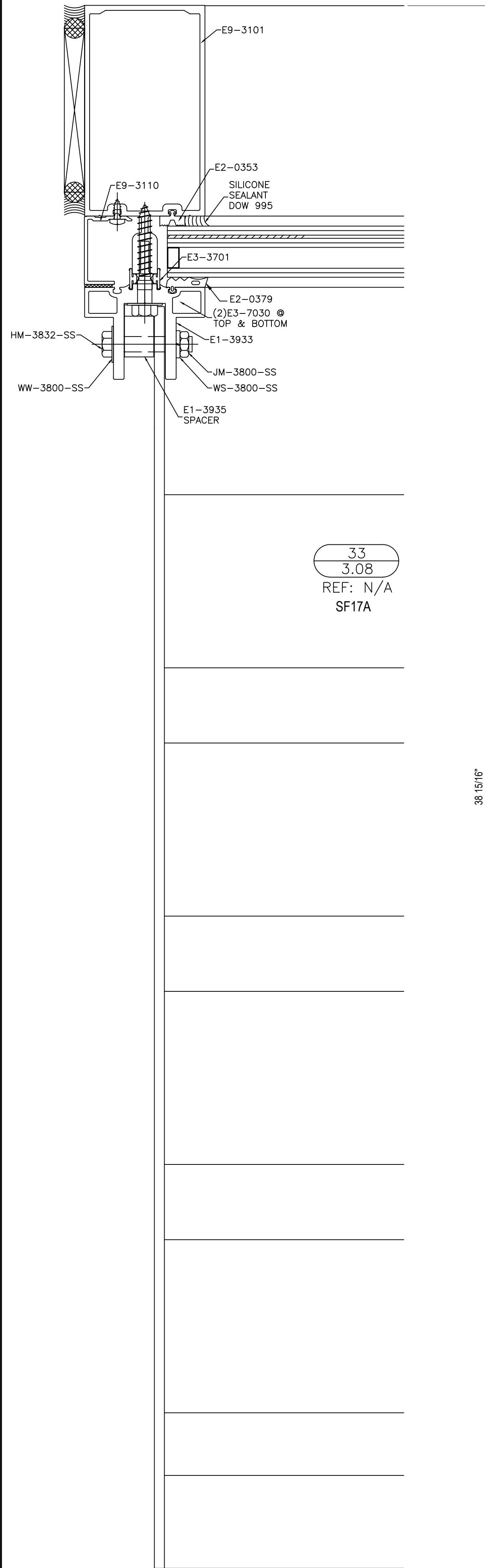
32
3.07
REF: N/A
CW13 - CW15

1ST SUBMISSION	4.22.21
1ST REVISION	7.14.21
2ND REVISION (ENGINEERING)	7.20.21
NO	DATE
NO	DESCRIPTION
NO	DRAWING SUBMISSION

GLASS TECH COMMERCIAL GLAZING SERVICES, INC.
 850 WEST STAR STREET
 GREENVILLE, NC 27834
 P: 252.355.9195

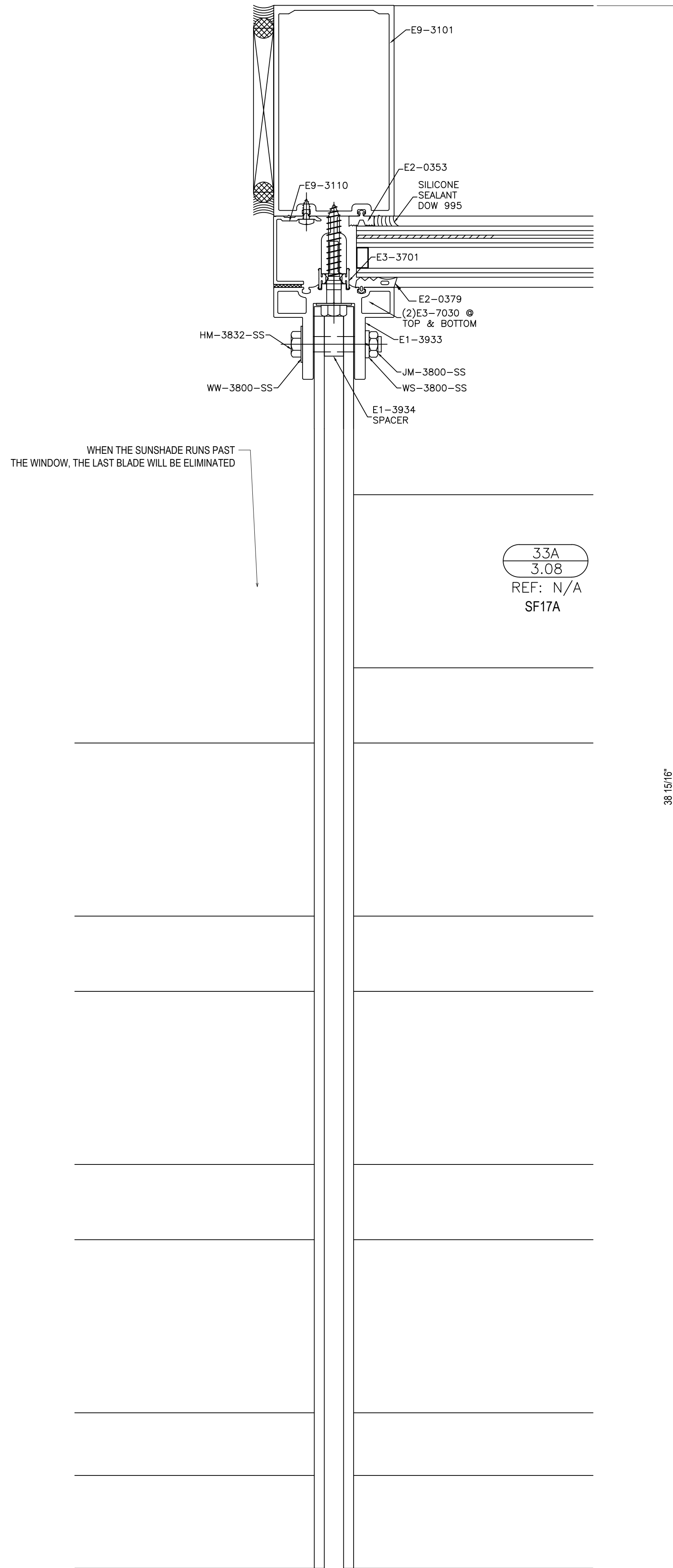
PROJECT: NEW HANOVER COUNTY GOVERNMENT CENTER
 LOCATION: 230 GOVERNMENT CENTER DRIVE WILMINGTON, NC 28403
 ARCHITECT: LS3P ASSOCIATES LTD.
 CUSTOMER: GLASS TECH COMMERCIAL GLAZING SERVICES

DRAWN BY:	DATE:
DJ	4.22.21
CHECKED BY:	DATE:
WH	4.22.21



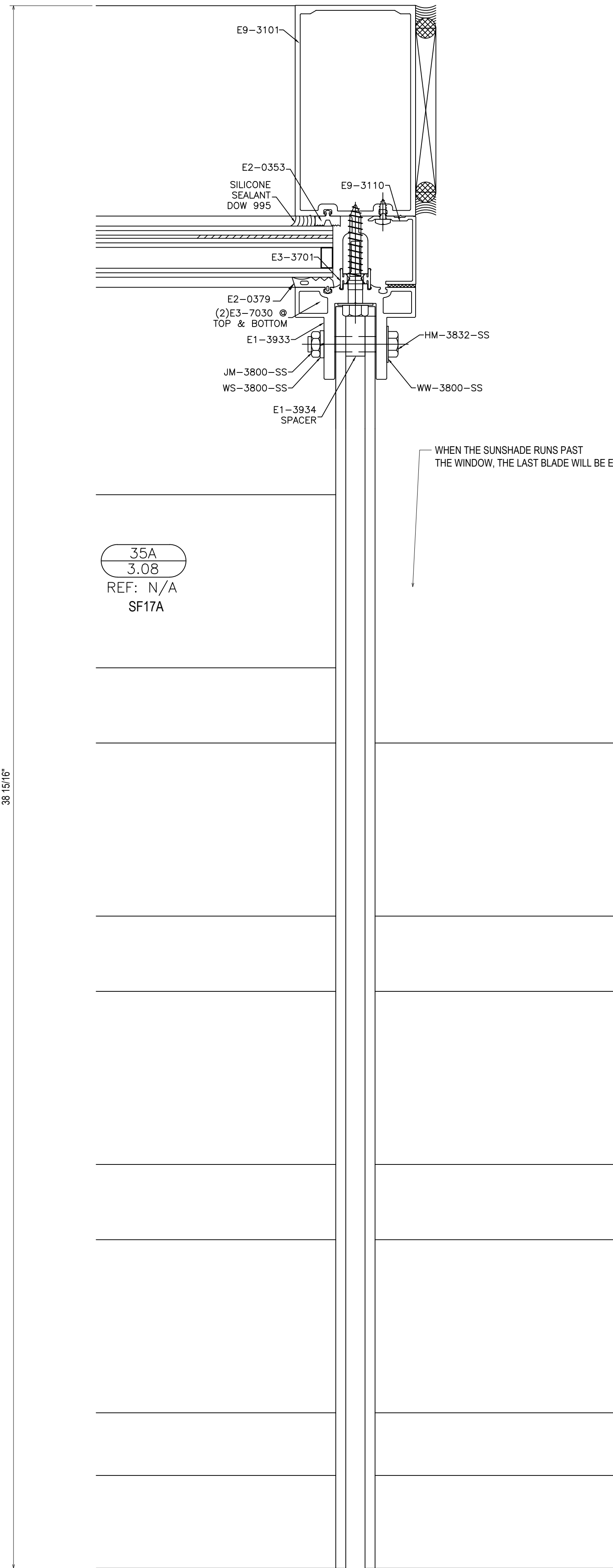
3.3
3.08
REF: N/A
SF17A

38.15/16"



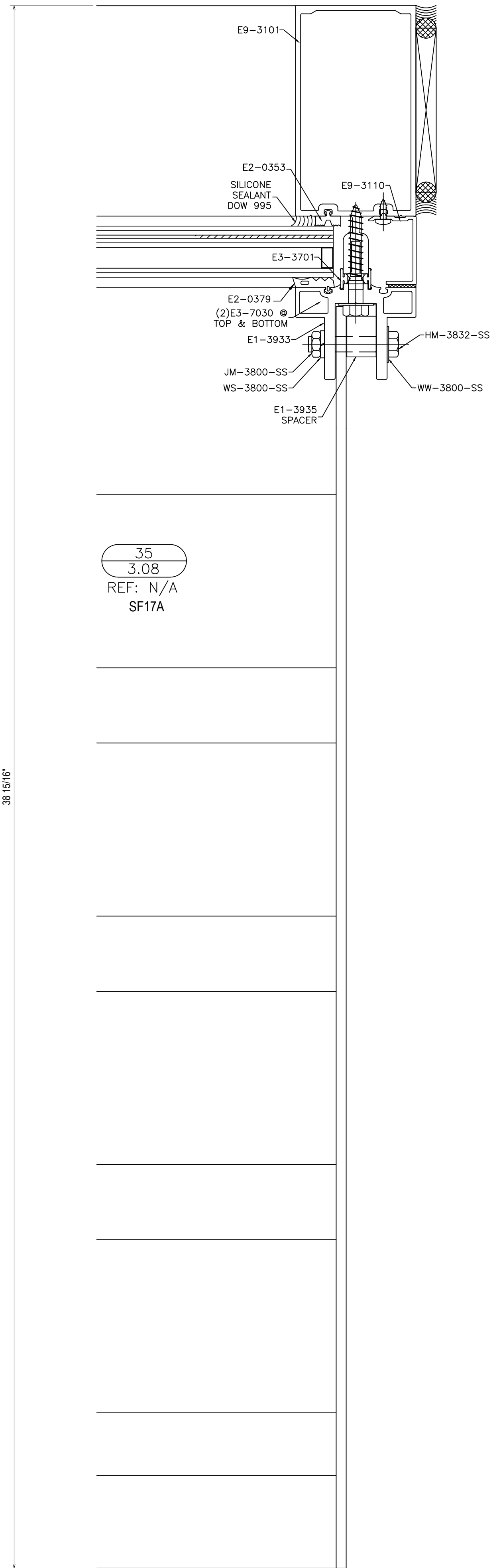
3.3A
3.08
REF: N/A
SF17A

38.15/16"



3.5A
3.08
REF: N/A
SF17A

38.15/16"



3.5
3.08
REF: N/A
SF17A

38.15/16"

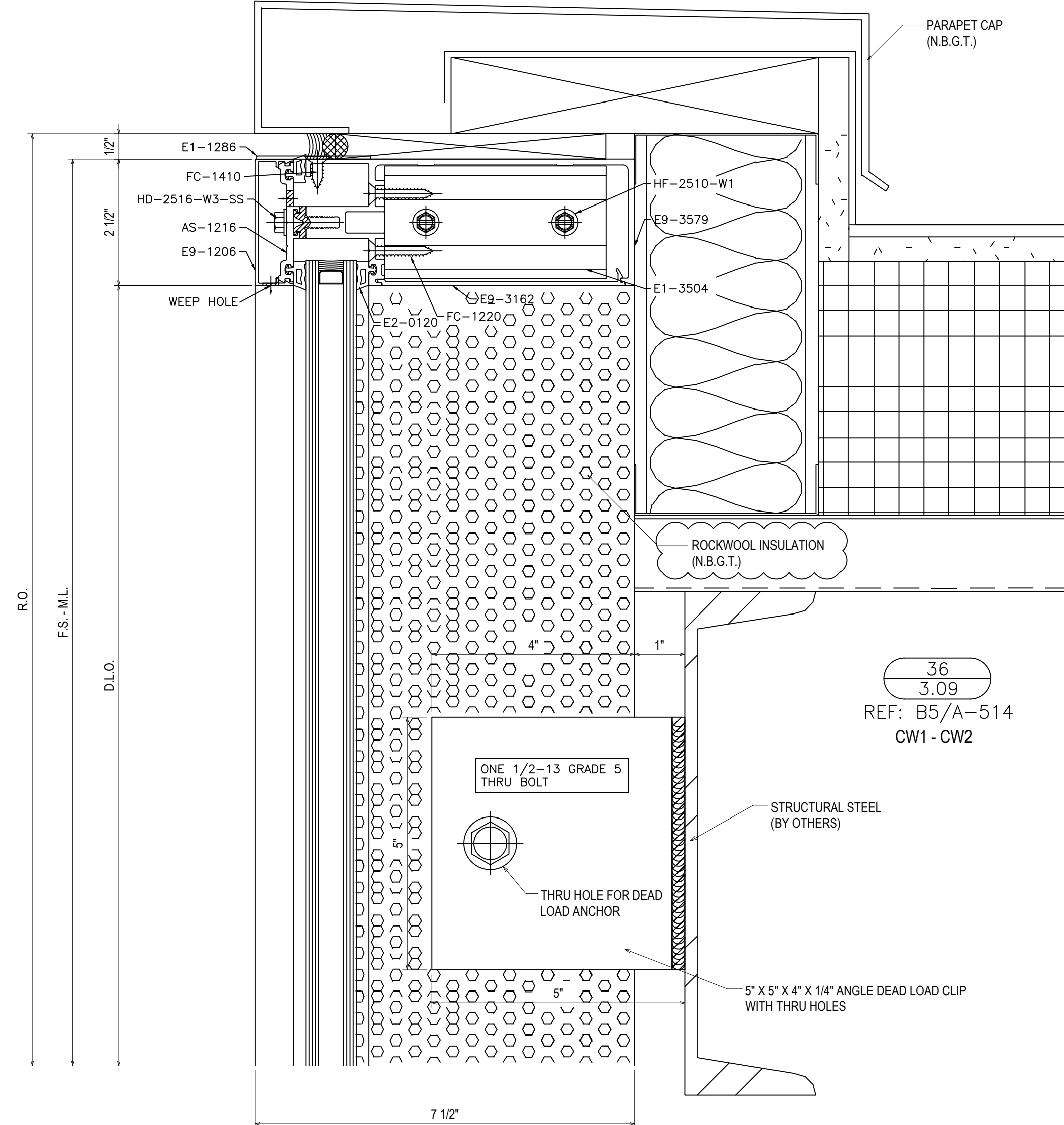
1ST SUBMISSION	4.22.21
1ST REVISION	7.14.21
2ND REVISION (ENGINEERING)	7.20.21
NO	DATE
DESCRIPTION	DRAWING SUBMISSION

GLASS TECH COMMERCIAL GLAZING SERVICES, INC.
850 WEST STAR STREET
GREENVILLE, NC 27834
P: 252.355.9195

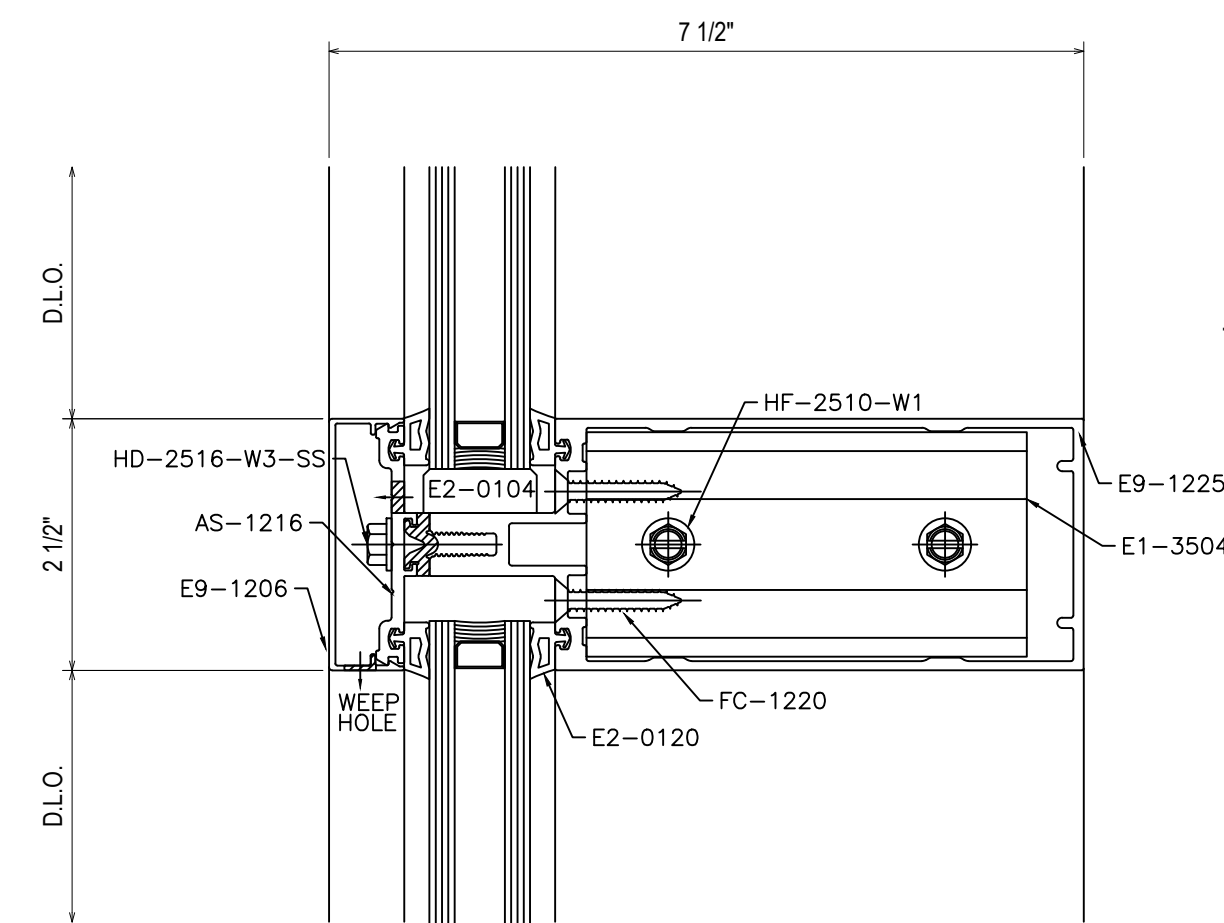
PROJECT: NEW HANOVER COUNTY GOVERNMENT CENTER
LOCATION: 230 GOVERNMENT CENTER DRIVE WILMINGTON, NC 28403
ARCHITECT: LS3P ASSOCIATES LTD.
CUSTOMER: GLASS TECH COMMERCIAL GLAZING SERVICES

DRAWN BY:	DATE:
DJ	4.22.21
CHECKED BY:	DATE:
WH	4.22.21

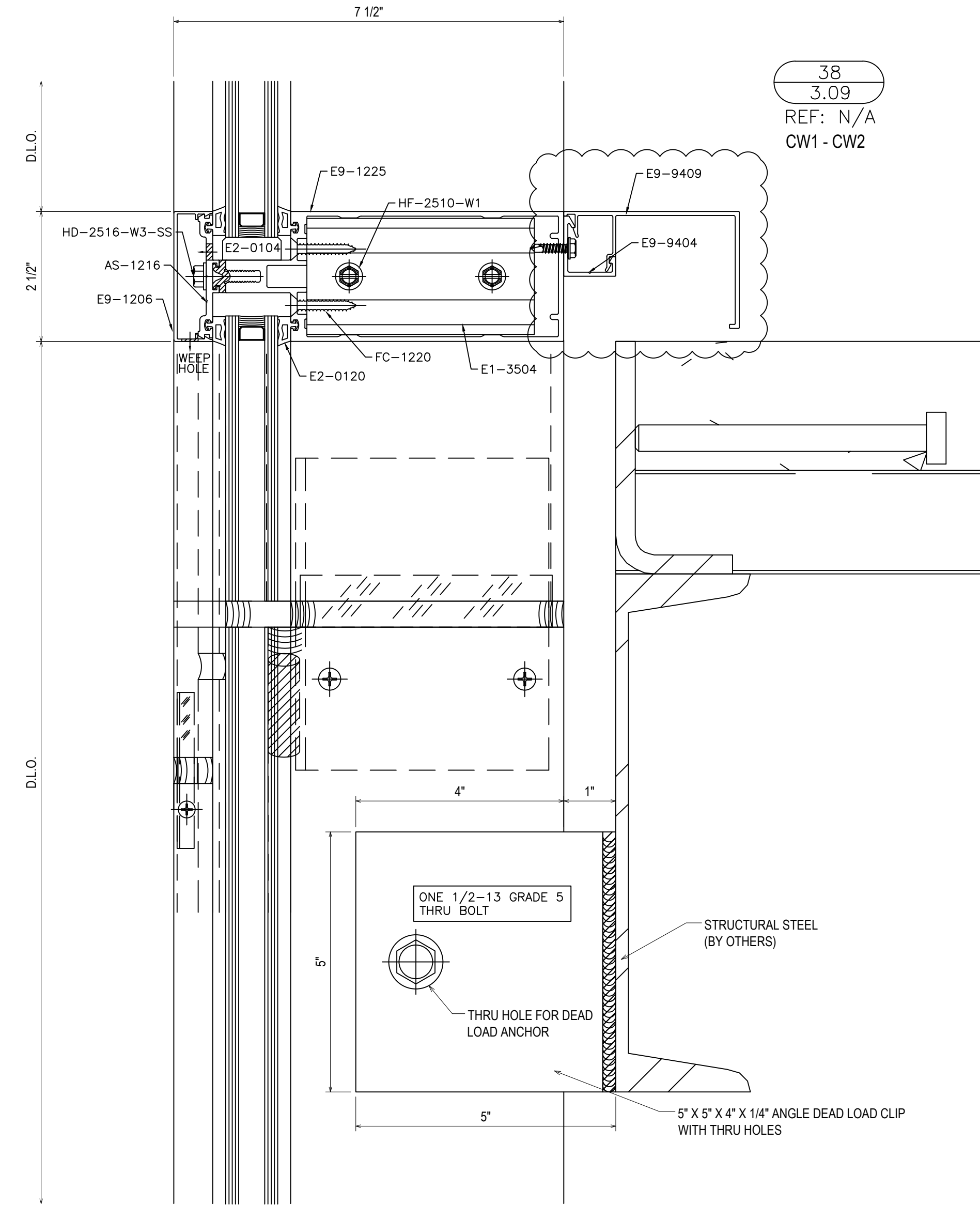
3.08



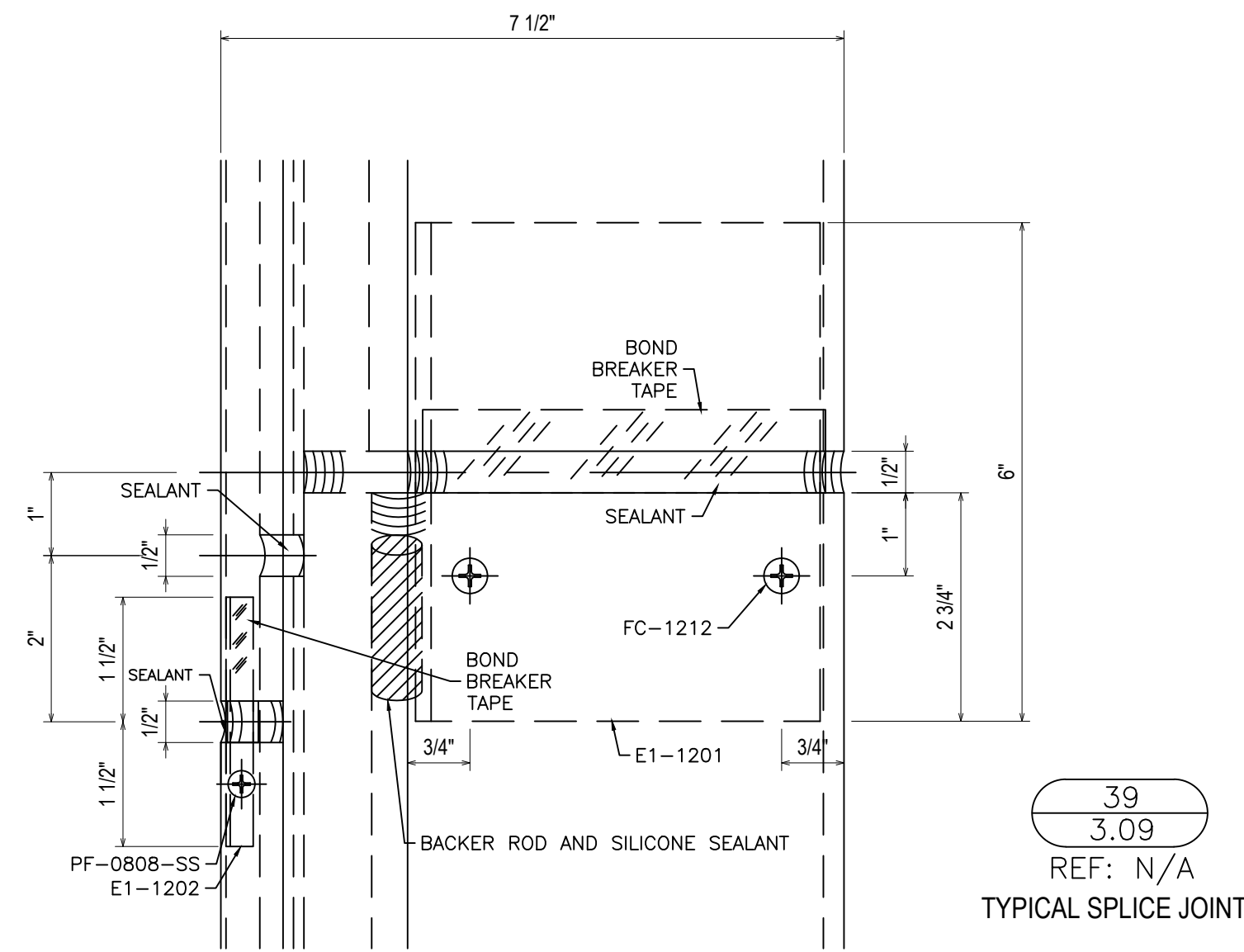
36
3.09
REF: B5/A-514
CW1 - CW2



37
3.09
REF: N/A
TYPICAL HORIZONTAL



38
3.09
REF: N/A
CW1 - CW2



39
3.09
REF: N/A
TYPICAL SPLICE JOINT

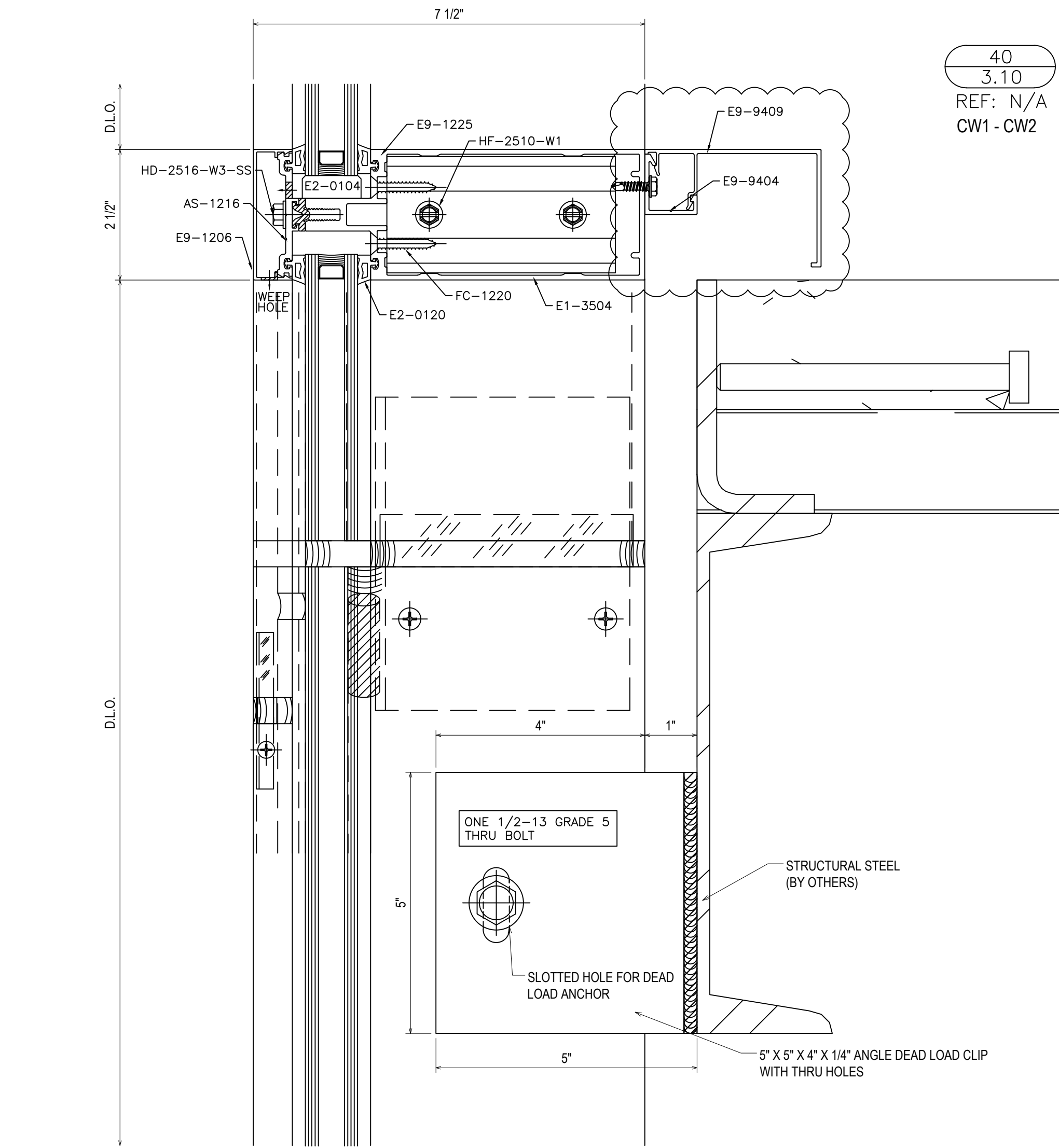
1ST SUBMISSION	4.22.21
1ST REVISION	7.14.21
2ND REVISION (ENGINEERING)	7.20.21
NO	DATE
NO	DESCRIPTION
NO	DRAWING SUBMISSION

GLASSTech COMMERCIAL GLAZING SERVICES, INC.
850 WEST STAR STREET
GREENVILLE, NC 27834
P: 252.355.9195

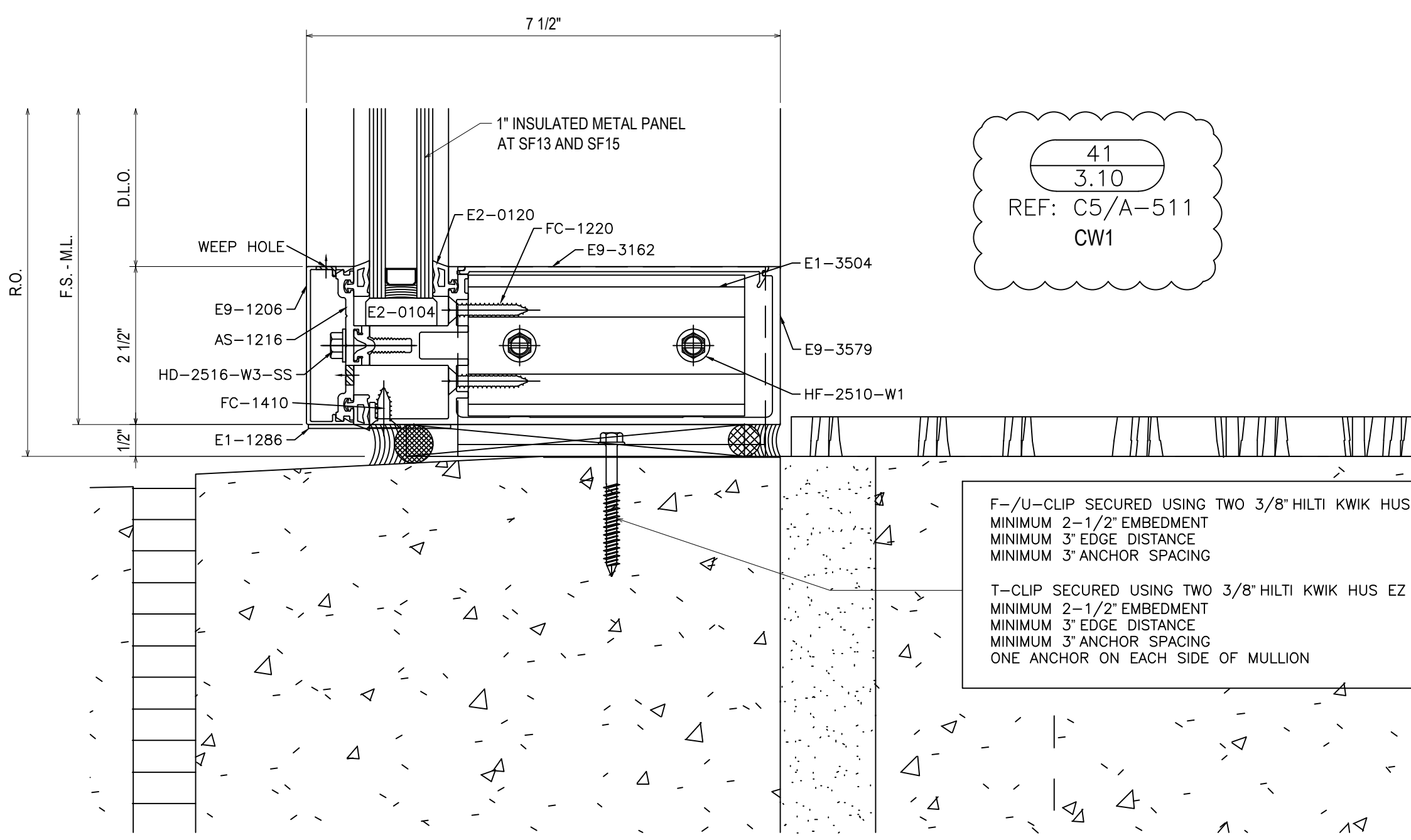
PROJECT: NEW HANOVER COUNTY GOVERNMENT CENTER
LOCATION: 230 GOVERNMENT CENTER DRIVE WILMINGTON, NC 28403
ARCHITECT: LS3P ASSOCIATES LTD.
CUSTOMER: GLASS TECH COMMERCIAL GLAZING SERVICES

DRAWN BY:	DATE:
DJ	4.22.21
CHECKED BY:	DATE:
WH	4.22.21

3.09

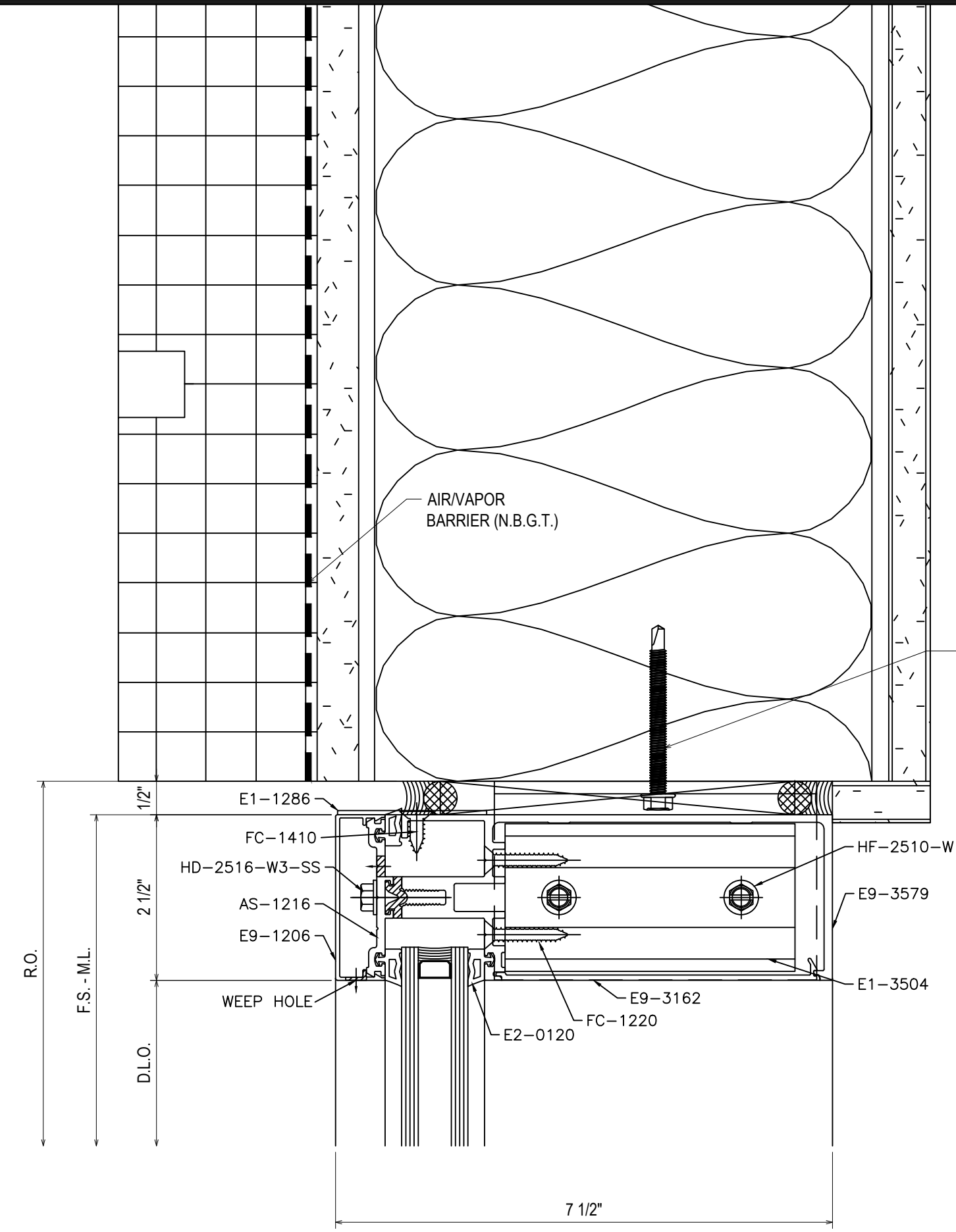


40
3.10
REF: N/A
CW1 - CW2



41
3.10
REF: C5/A-511
CW1

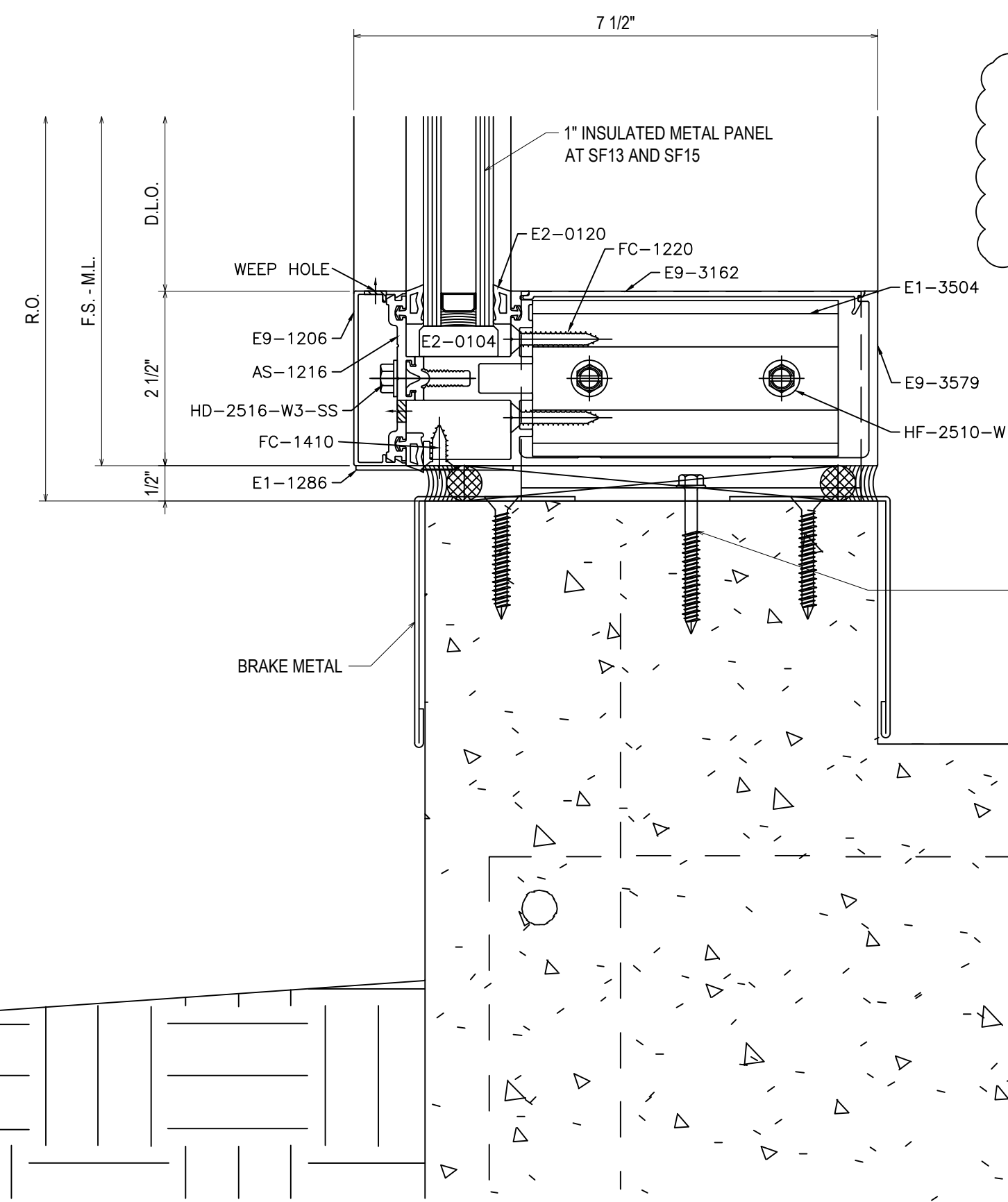
F-/U-CLIP SECURED USING TWO 3/8\"/>



F-CLIP SECURED USING TWO 1/4-20 GRADE 5 SMS
MINIMUM FULL PENETRATION + 1/2\"/>

T-CLIP SECURED USING FOUR 1/4-20 GRADE 5 SMS
MINIMUM FULL PENETRATION + 1/2\"/>

42
3.10
REF: A1/A-514
CW5 - CW6 - CW7 - CW8
CW9 - CW10



43
3.10
REF: D5/A-514
CW2 - CW5 - CW6 - CW7
CW8 - CW9 - CW10

F-/U-CLIP SECURED USING TWO 3/8\"/>

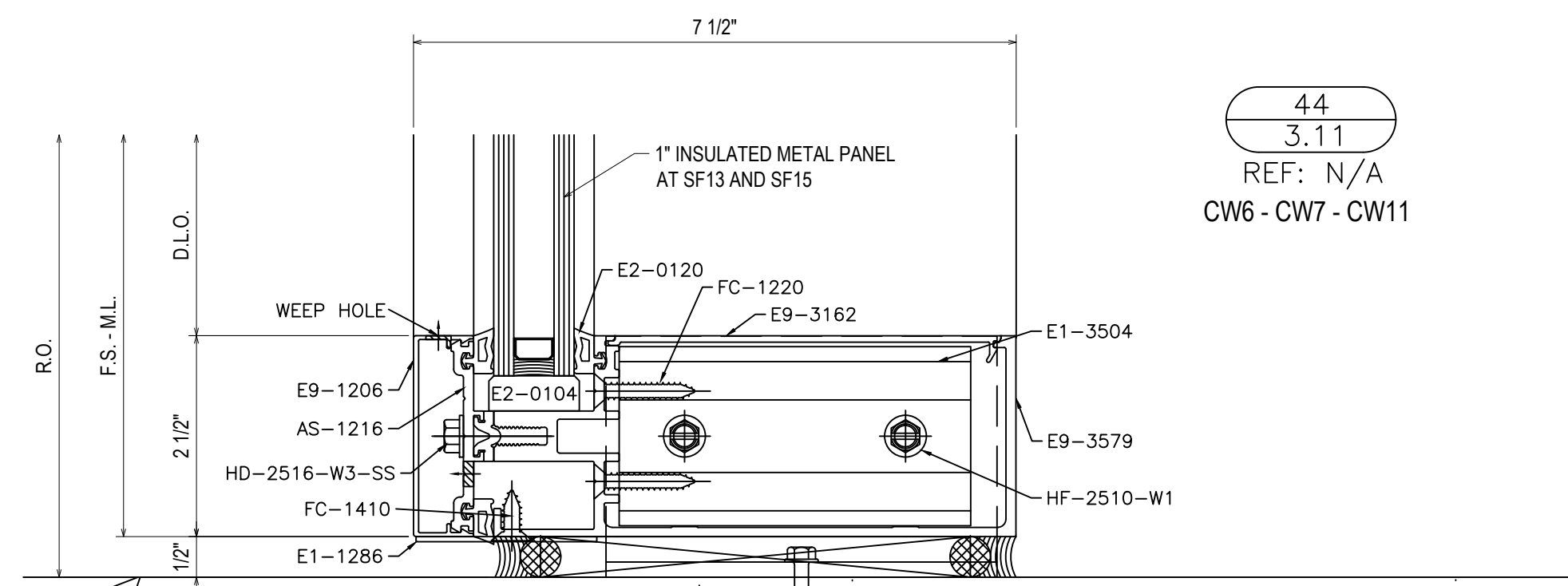
T-CLIP SECURED USING TWO 3/8\"/>

1ST SUBMISSION	4.22.21
1ST REVISION	7.14.21
2ND REVISION (ENGINEERING)	7.20.21
NO	DATE
NO	DESCRIPTION
NO	DRAWING SUBMISSION

GLASS TECH COMMERCIAL GLAZING SERVICES, INC.
850 WEST STAR STREET
GREENVILLE, NC 27834
P: 252.355.9195

PROJECT: NEW HANOVER COUNTY GOVERNMENT CENTER
LOCATION: 230 GOVERNMENT CENTER DRIVE WILMINGTON, NC 28403
ARCHITECT: LS3P ASSOCIATES LTD.
CUSTOMER: GLASS TECH COMMERCIAL GLAZING SERVICES

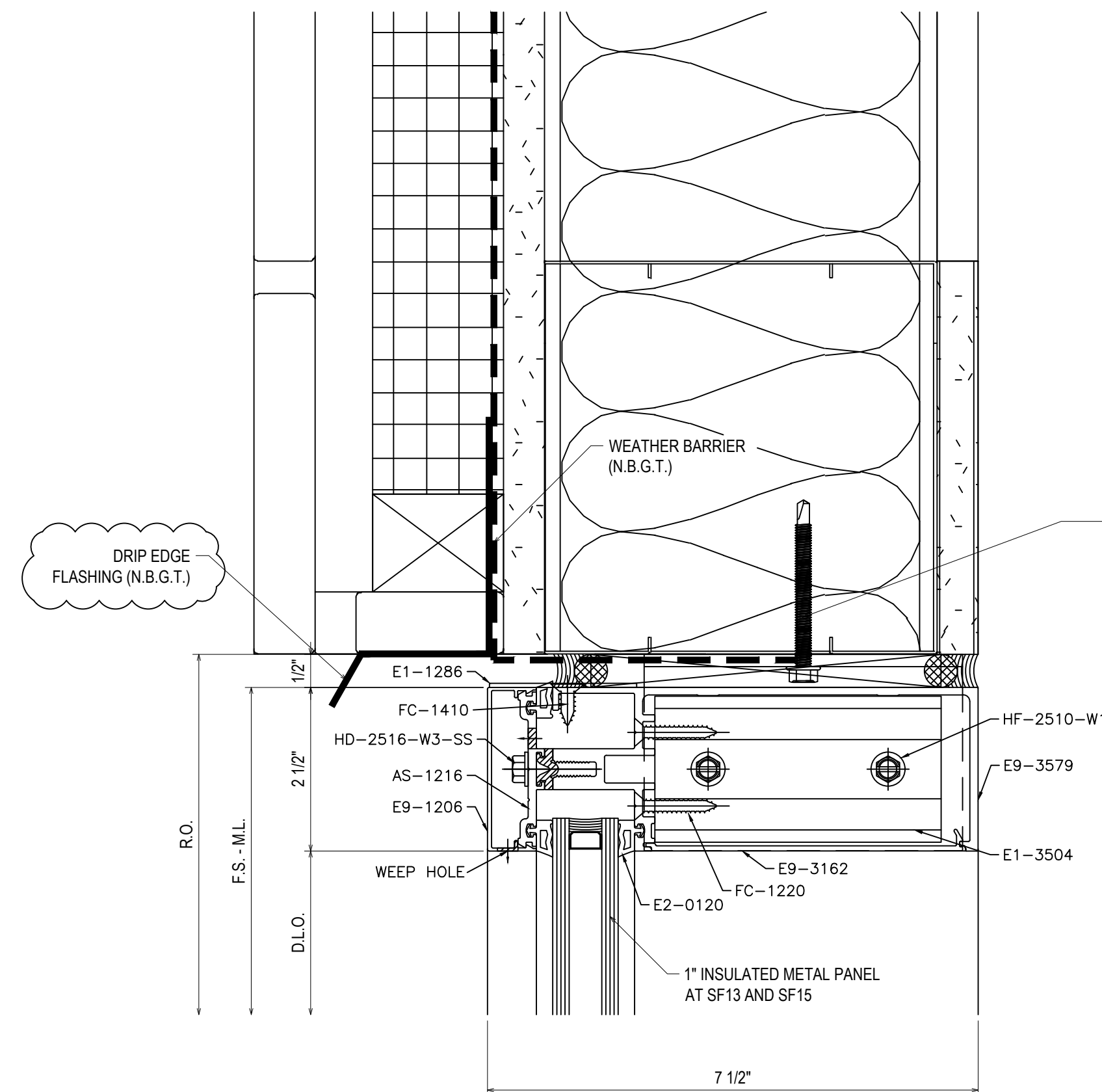
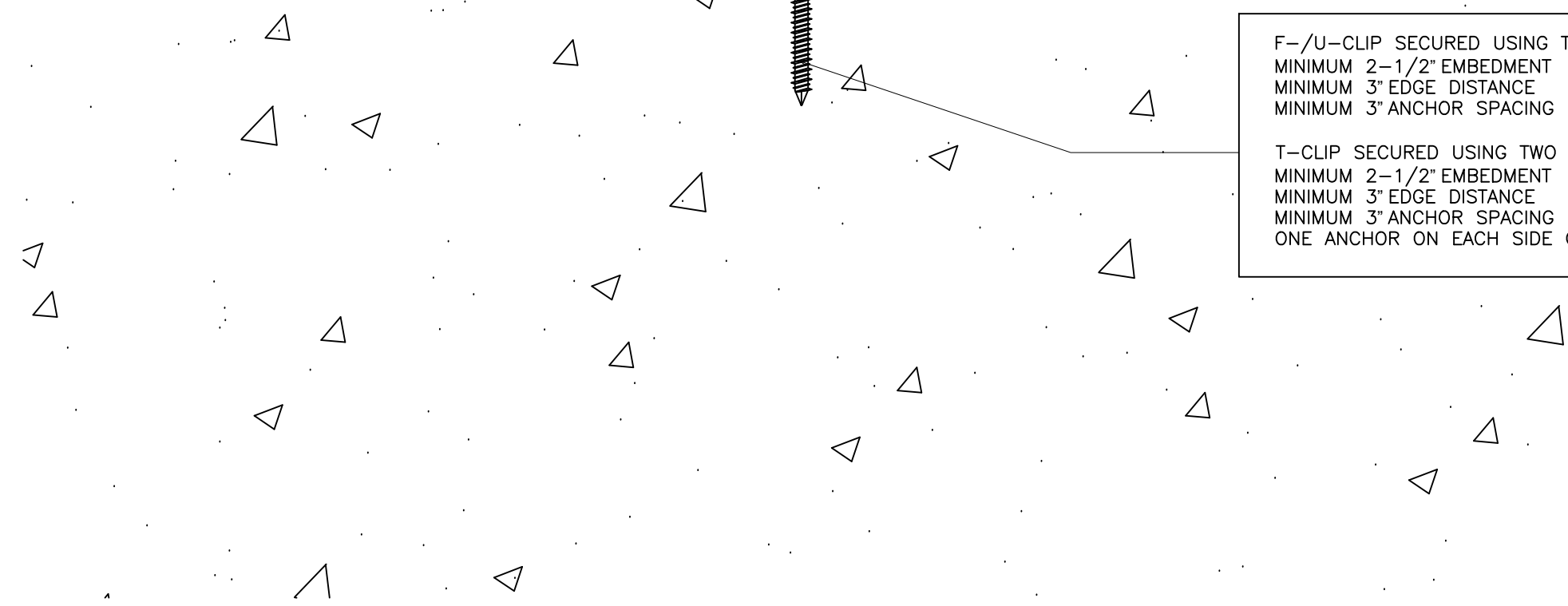
DRAWN BY:	DATE:
DJ	4.22.21
CHECKED BY:	DATE:
WH	4.22.21



44
3.11
REF: N/A
CW6 - CW7 - CW11

F-CLIP SECURED USING TWO 3/8\" HILTI KWIK HUS EZ ANCHORS
MINIMUM 2-1/2\" EMBEDMENT
MINIMUM 3\" EDGE DISTANCE
MINIMUM 3\" ANCHOR SPACING

T-CLIP SECURED USING TWO 3/8\" HILTI KWIK HUS EZ ANCHORS
MINIMUM 2-1/2\" EMBEDMENT
MINIMUM 3\" EDGE DISTANCE
MINIMUM 3\" ANCHOR SPACING
ONE ANCHOR ON EACH SIDE OF MULLION

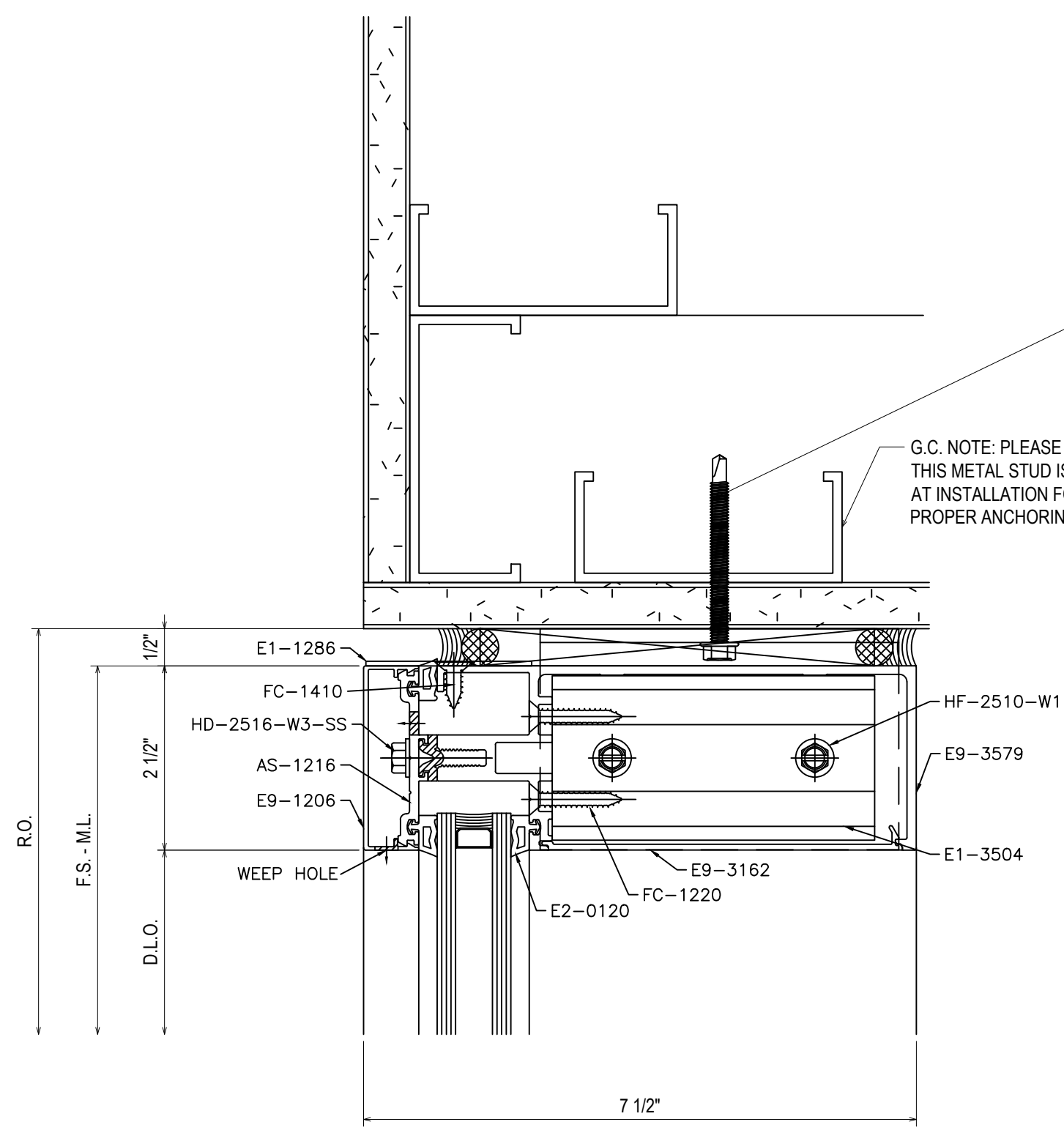


F-CLIP SECURED USING TWO 1/4-20 GRADE 5 SMS
MINIMUM FULL PENETRATION + 1/2\"
MINIMUM 3/4\" EDGE DISTANCE
MINIMUM 1\" ANCHOR SPACING

T-CLIP SECURED USING FOUR 1/4-20 GRADE 5 SMS
MINIMUM FULL PENETRATION + 1/2\"
MINIMUM 3/4\" EDGE DISTANCE
MINIMUM 1\" ANCHOR SPACING
TWO ANCHORS ON EACH SIDE OF MULLION

46
3.11
REF: B5/A-515
SF13 - SF15

DRIP EDGE
FLASHING (N.B.G.T.)

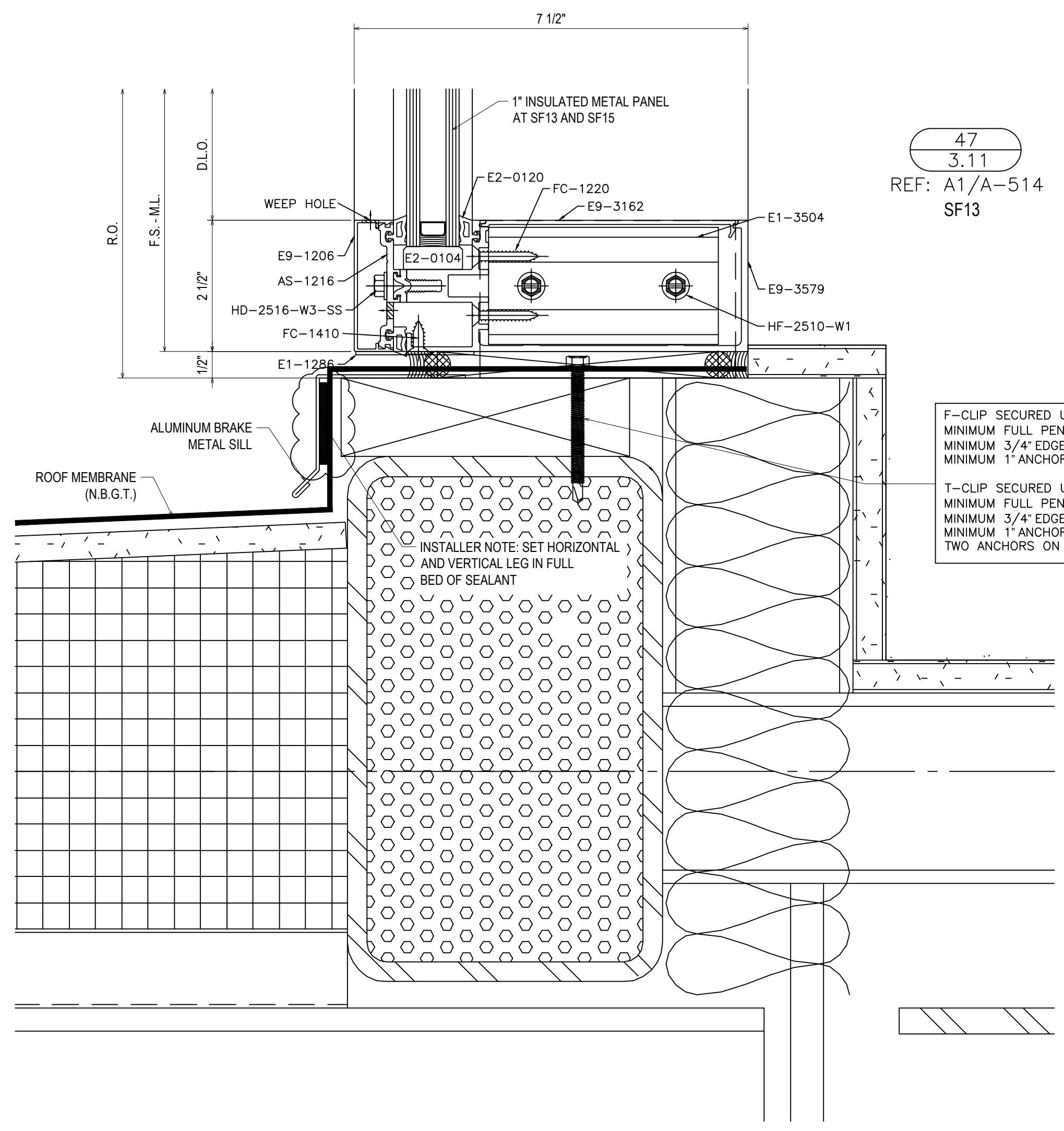
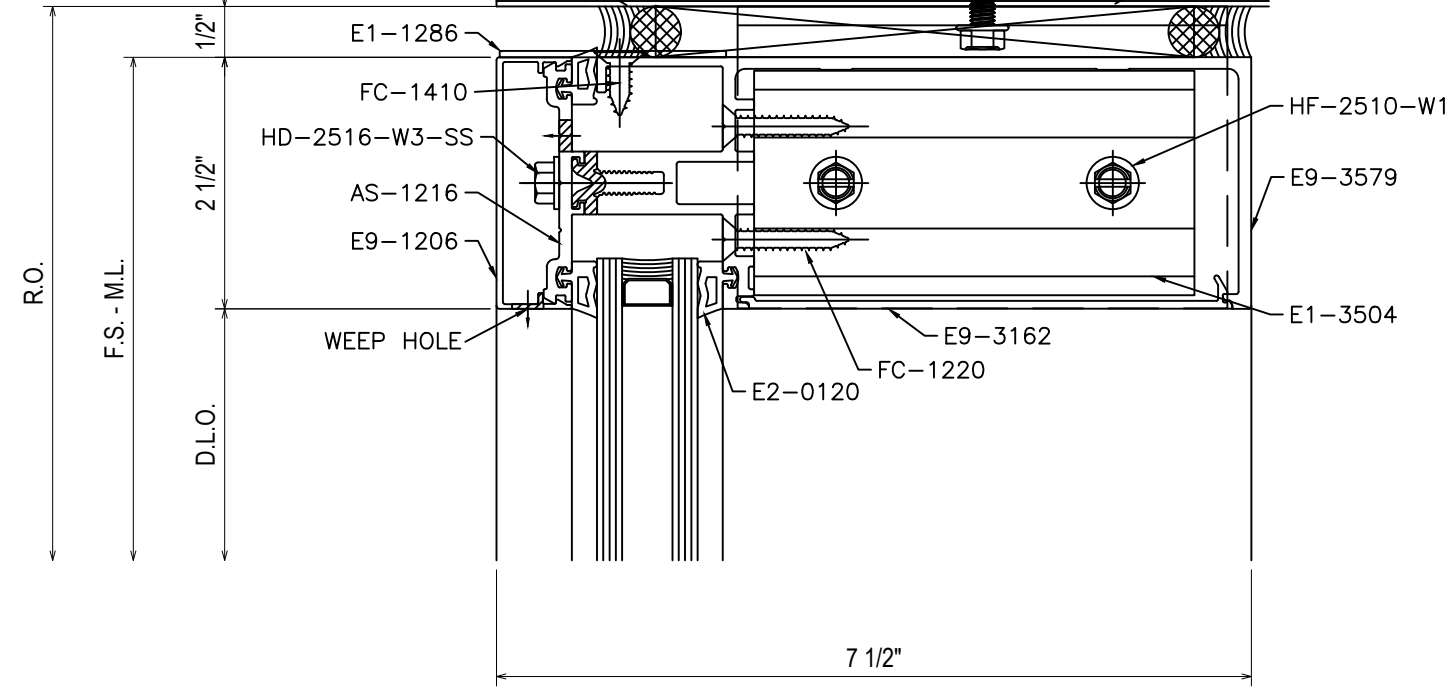


45
3.11
REF: A1/A-514
CW11

F-CLIP SECURED USING TWO 1/4-20 GRADE 5 SMS
MINIMUM FULL PENETRATION + 1/2\"
MINIMUM 3/4\" EDGE DISTANCE
MINIMUM 1\" ANCHOR SPACING

T-CLIP SECURED USING FOUR 1/4-20 GRADE 5 SMS
MINIMUM FULL PENETRATION + 1/2\"
MINIMUM 3/4\" EDGE DISTANCE
MINIMUM 1\" ANCHOR SPACING
TWO ANCHORS ON EACH SIDE OF MULLION

G.C. NOTE: PLEASE ENSURE
THIS METAL STUD IS PRESENT
AT INSTALLATION FOR
PROPER ANCHORING



47
3.11
REF: A1/A-514
SF13

F-CLIP SECURED USING TWO 1/4-20 GRADE 5 SMS
MINIMUM FULL PENETRATION + 1/2\"
MINIMUM 3/4\" EDGE DISTANCE
MINIMUM 1\" ANCHOR SPACING

T-CLIP SECURED USING FOUR 1/4-20 GRADE 5 SMS
MINIMUM FULL PENETRATION + 1/2\"
MINIMUM 3/4\" EDGE DISTANCE
MINIMUM 1\" ANCHOR SPACING
TWO ANCHORS ON EACH SIDE OF MULLION

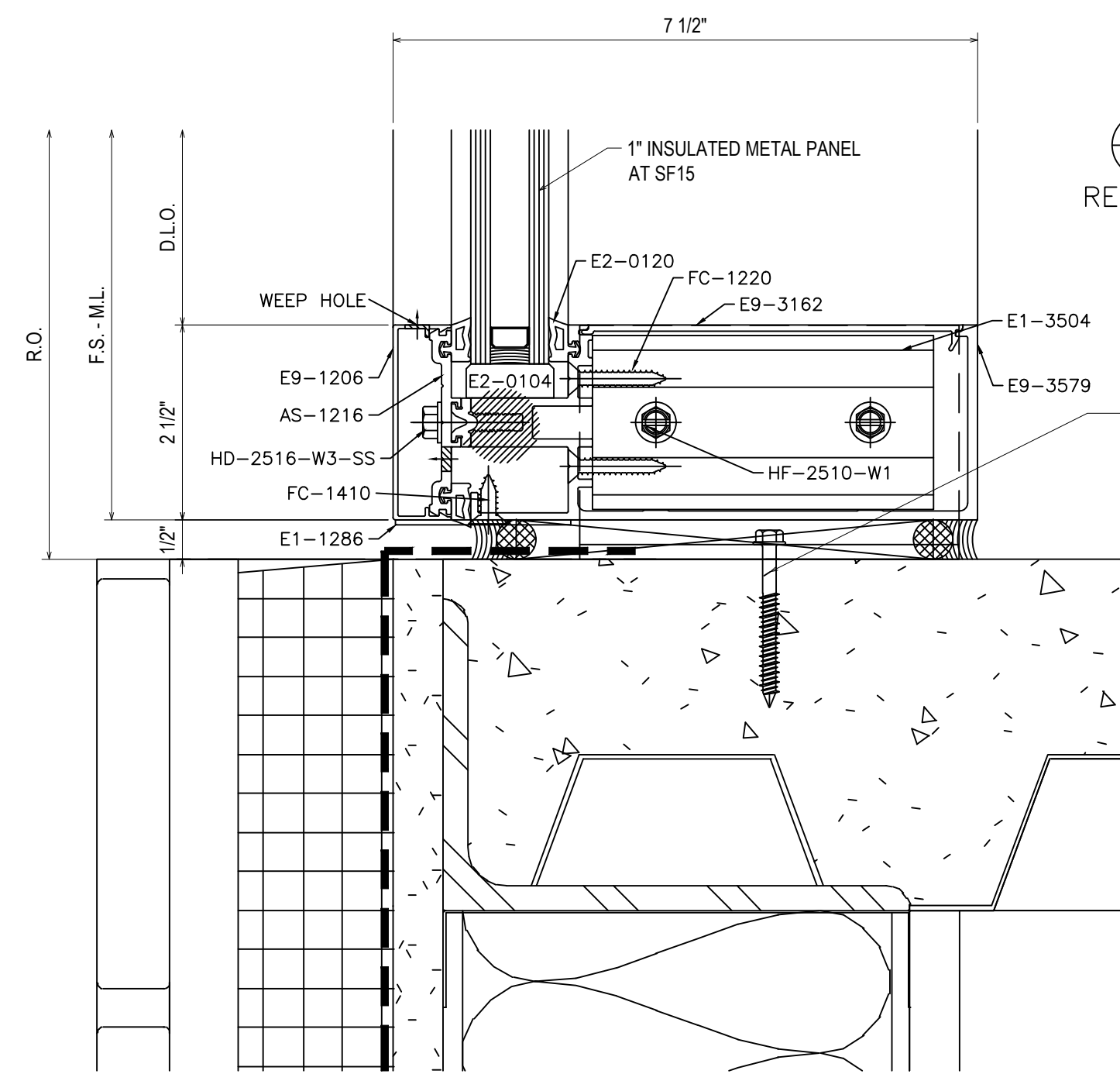
INSTALLER NOTE: SET HORIZONTAL
AND VERTICAL LEG IN FULL
BED OF SEALANT

1ST SUBMISSION	4.22.21
1ST REVISION	7.14.21
2ND REVISION (ENGINEERING)	7.20.21
NO	NO
DESCRIPTION	DATE
DRAWING SUBMISSION	

GLASS TECH COMMERCIAL GLAZING SERVICES, INC.
850 WEST STAR STREET
GREENVILLE, NC 27834
P: 252.355.9195

PROJECT: NEW HANOVER COUNTY
GOVERNMENT CENTER
LOCATION: 230 GOVERNMENT CENTER DRIVE
WILMINGTON, NC 28403
ARCHITECT: LS3P ASSOCIATES LTD.
CUSTOMER: GLASS TECH COMMERCIAL GLAZING SERVICES

DRAWN BY:	DATE:
DJ	4.22.21
CHECKED BY:	DATE:
WH	4.22.21

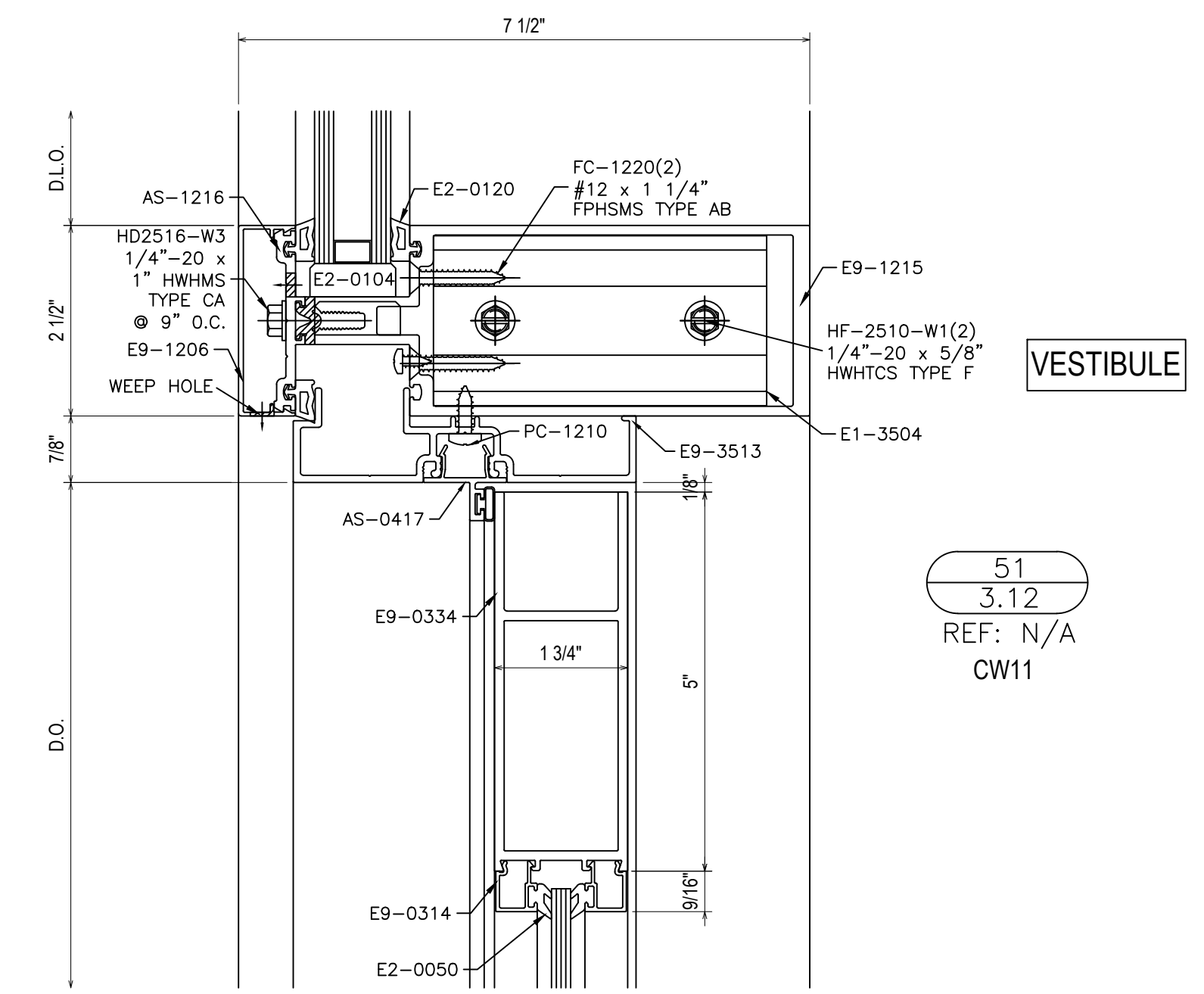


48
3.12
REF: A5/A-515
SF15

F-/U-CLIP SECURED USING TWO 3/8" HILTI KWIK HUS EZ ANCHORS
MINIMUM 2-1/2" EMBEDMENT
MINIMUM 3" EDGE DISTANCE
MINIMUM 3" ANCHOR SPACING

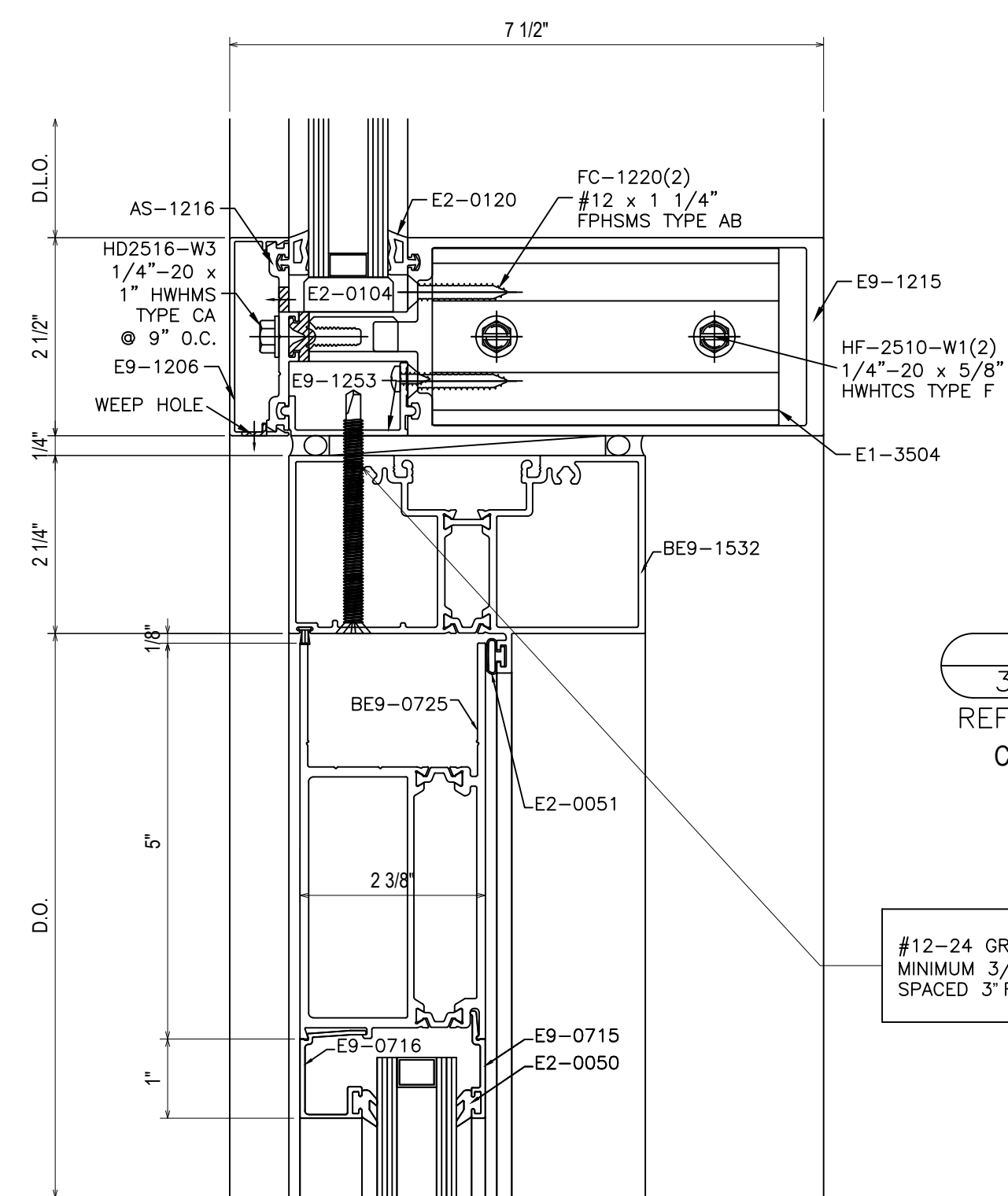
T-CLIP SECURED USING TWO 3/8" HILTI KWIK HUS EZ ANCHORS
MINIMUM 2-1/2" EMBEDMENT
MINIMUM 3" EDGE DISTANCE
MINIMUM 3" ANCHOR SPACING
ONE ANCHOR ON EACH SIDE OF MULLION

LOBBY A



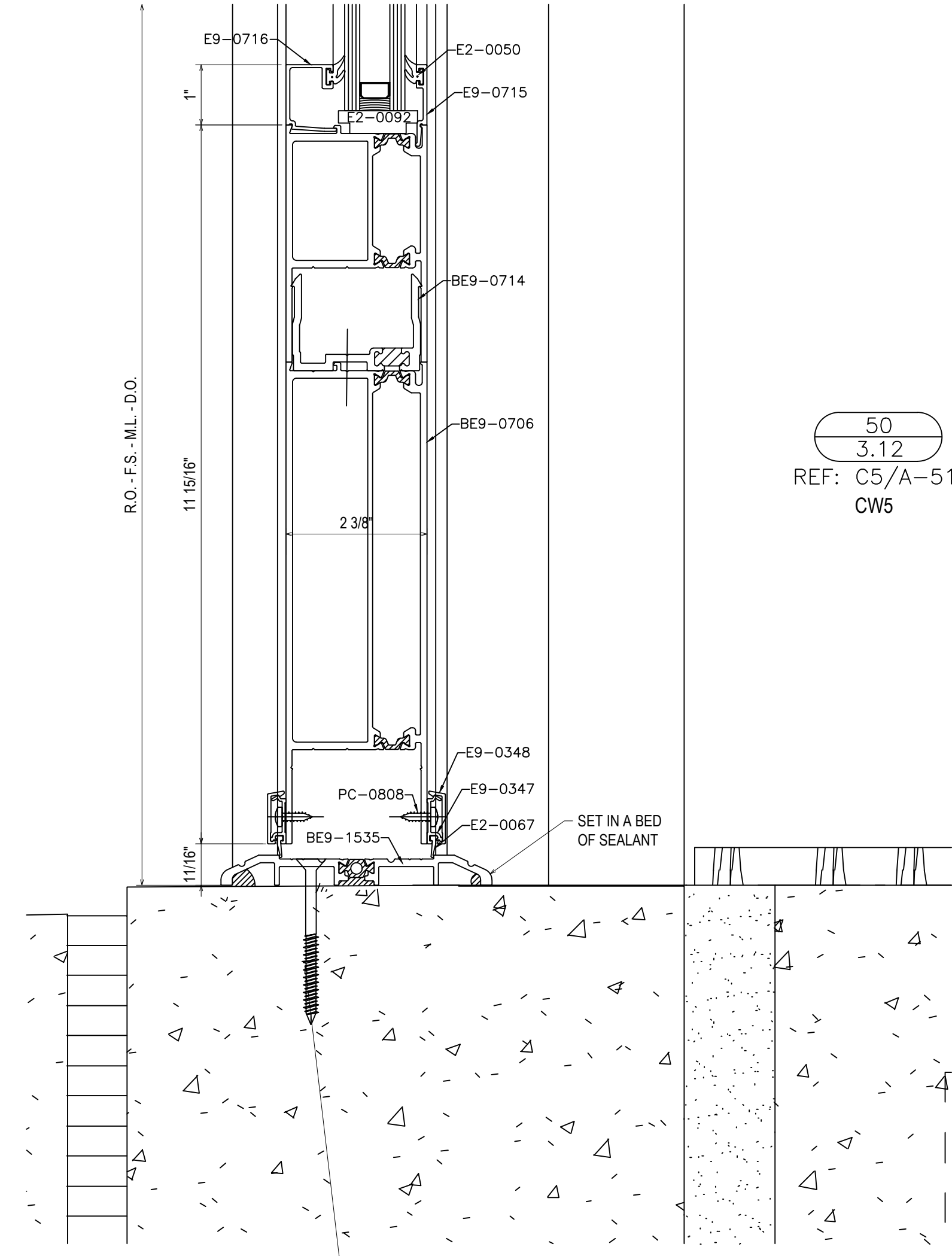
51
3.12
REF: N/A
CW11

VESTIBULE



49
3.12
REF: N/A
CW5

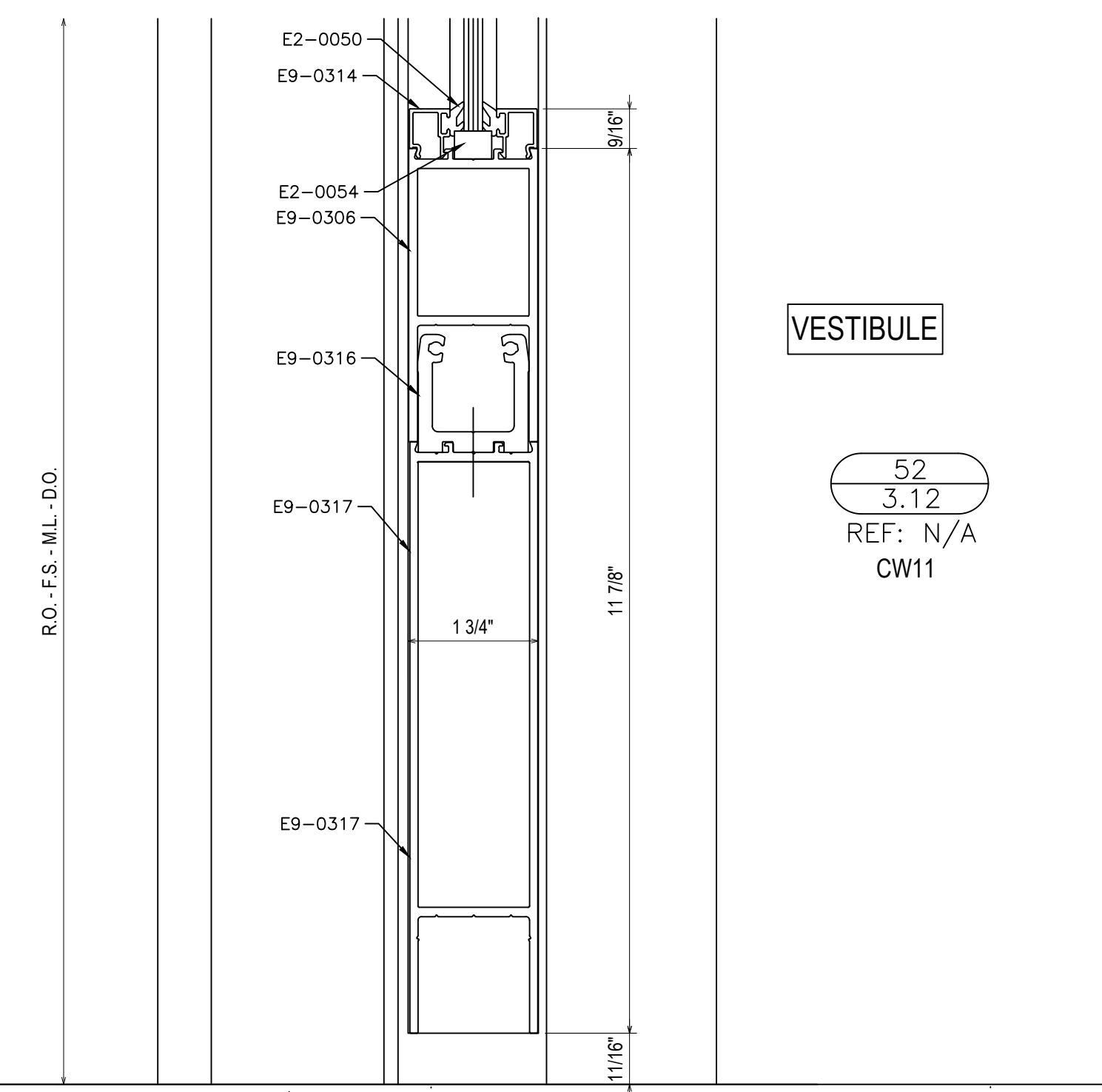
#12-24 GRADE 5 SMS WITH A MINIMUM FULL PENETRATION + 1/2"
MINIMUM 3/8" EDGE DISTANCE
SPACED 3" FROM END AND 24" O.C. THEREAFTER



50
3.12
REF: C5/A-511
CW5

1/4" COUNTERSUNK HILTI KWIK CON II + WITH
MINIMUM 1-3/4" EMBEDMENT
MINIMUM 3" EDGE DISTANCE
SPACED 3" FROM END AND 18" O.C. THEREAFTER

LOBBY A



52
3.12
REF: N/A
CW11

VESTIBULE

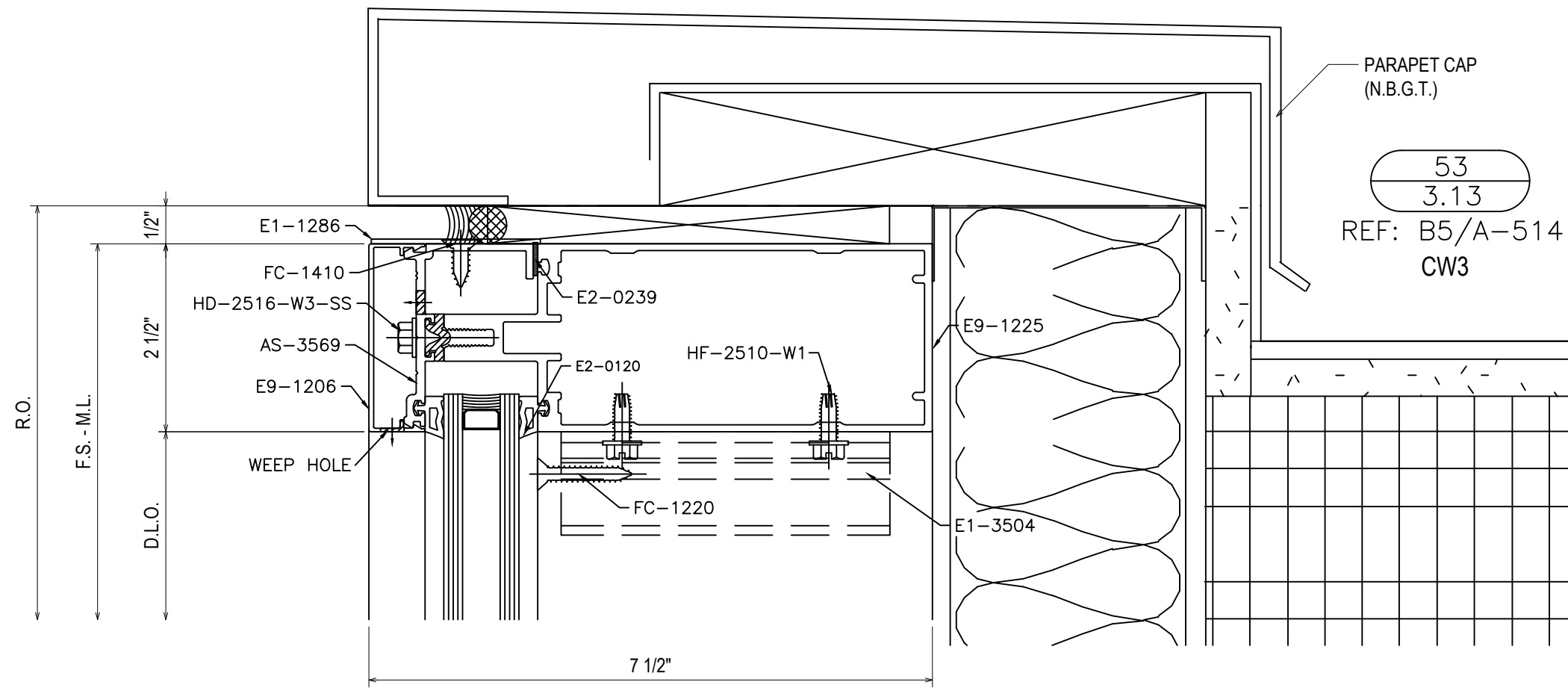
1ST SUBMISSION	4.22.21
1ST REVISION	7.14.21
2ND REVISION (ENGINEERING)	7.20.21
NO	NO
DESCRIPTION	DATE
DRAWING SUBMISSION	

GLASS TECH COMMERCIAL GLAZING SERVICES, INC.
850 WEST STAR STREET
GREENVILLE, NC 27834
P: 252.355.9195

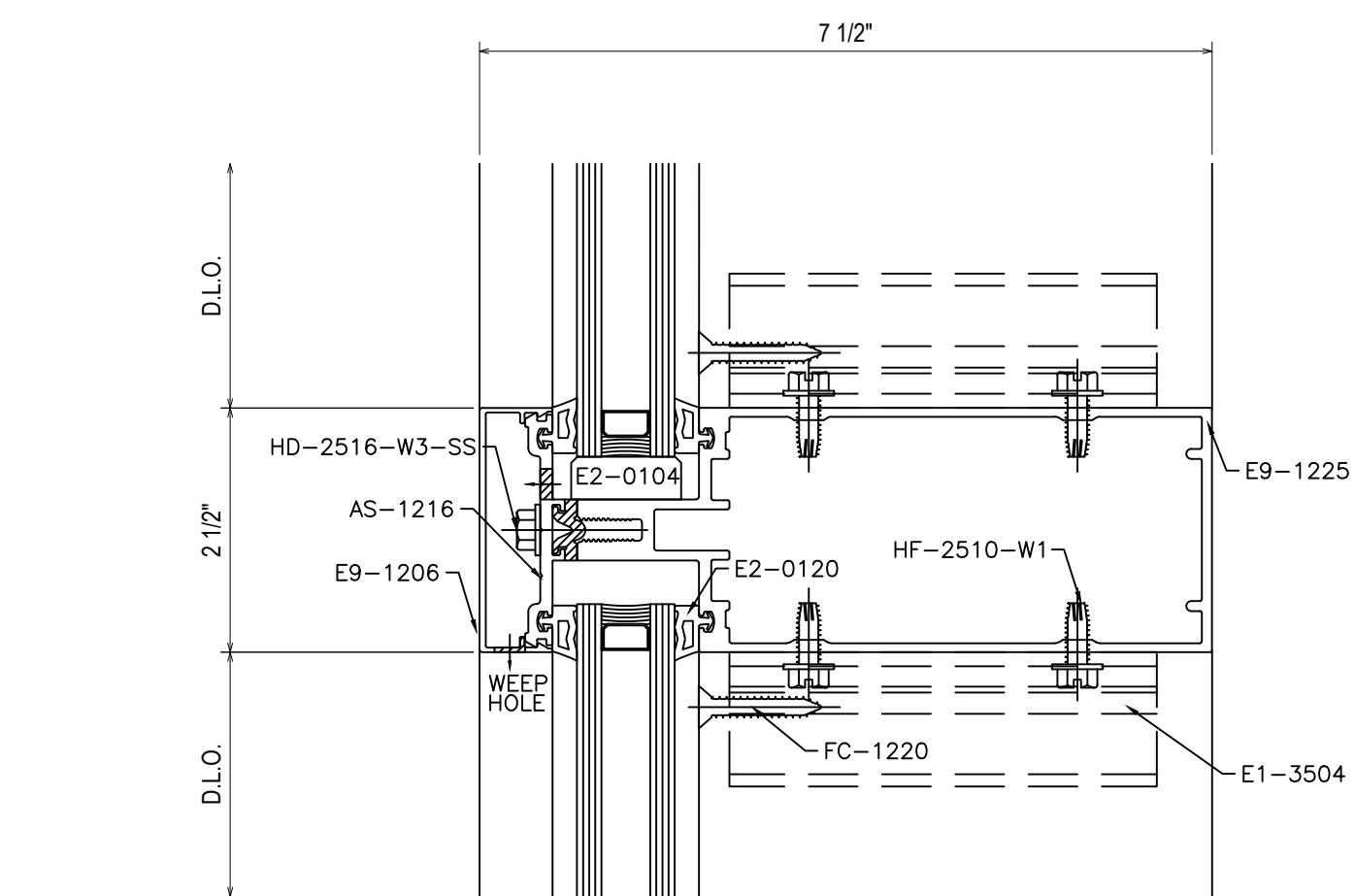
PROJECT: NEW HANOVER COUNTY GOVERNMENT CENTER
LOCATION: 230 GOVERNMENT CENTER DRIVE WILMINGTON, NC 28403
ARCHITECT: LS3P ASSOCIATES LTD.
CUSTOMER: GLASS TECH COMMERCIAL GLAZING SERVICES

DRAWN BY:	DATE:
DJ	4.22.21
CHECKED BY:	DATE:
WH	4.22.21

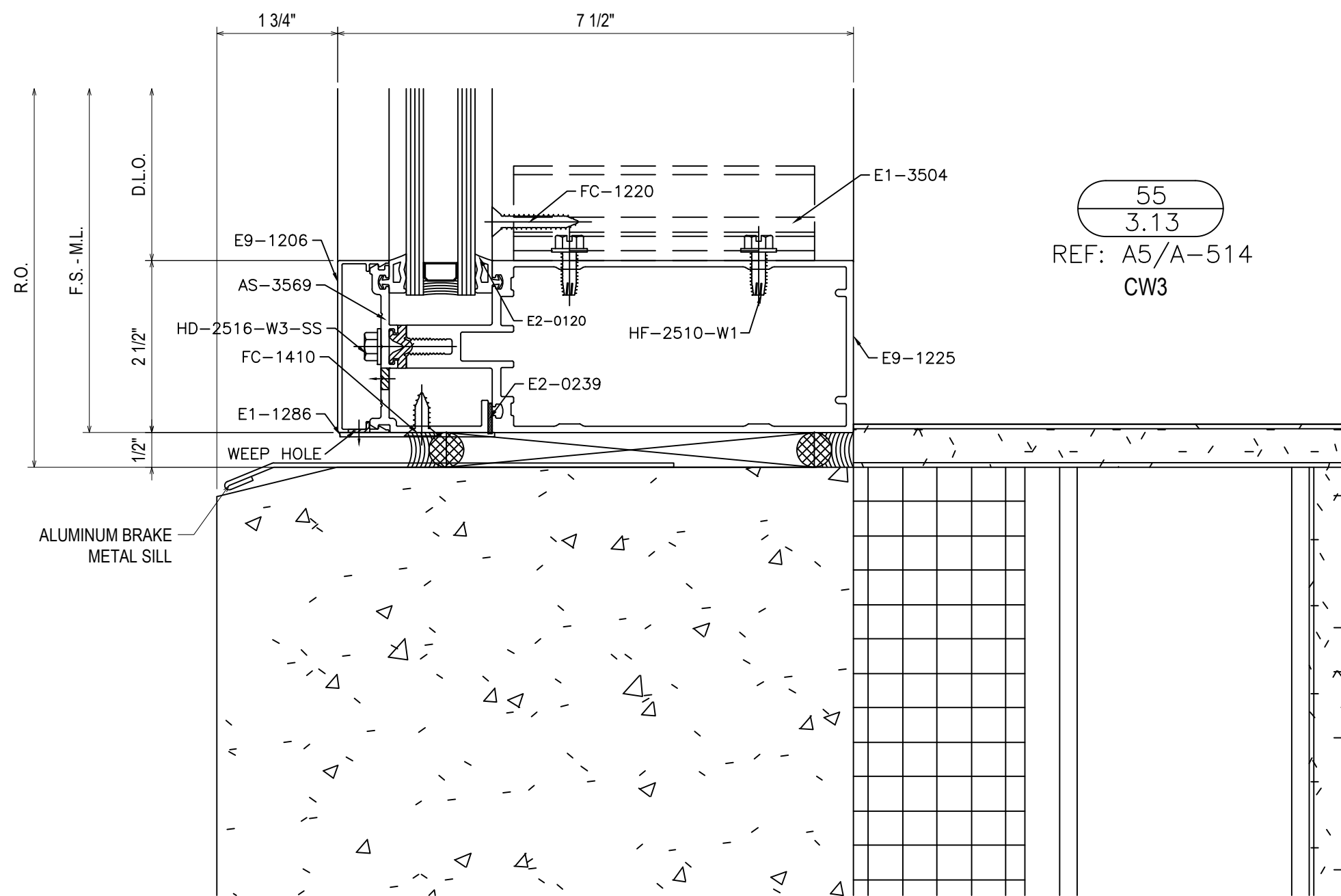
3.12



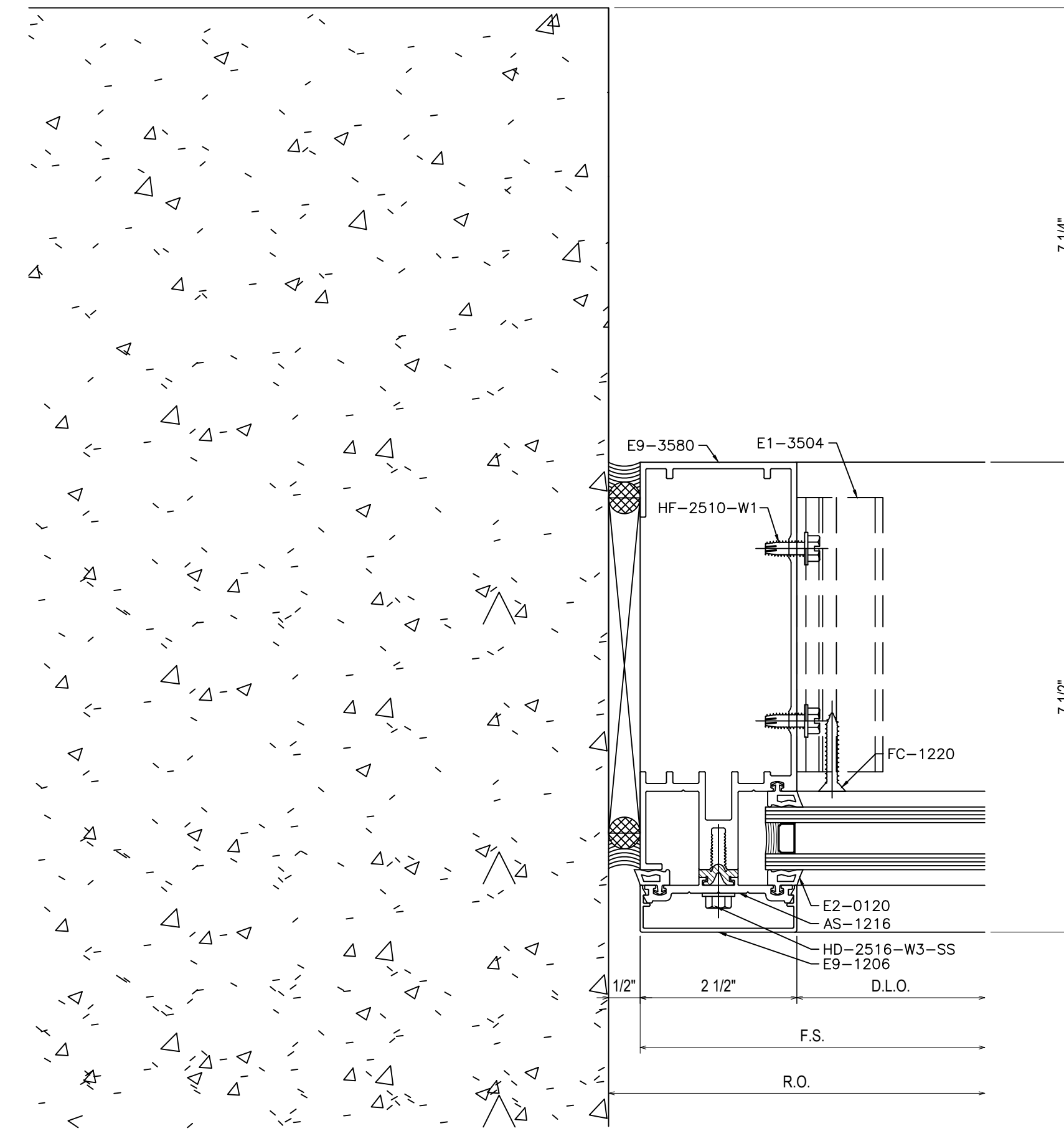
53
3.13
REF: B5/A-514
CW3



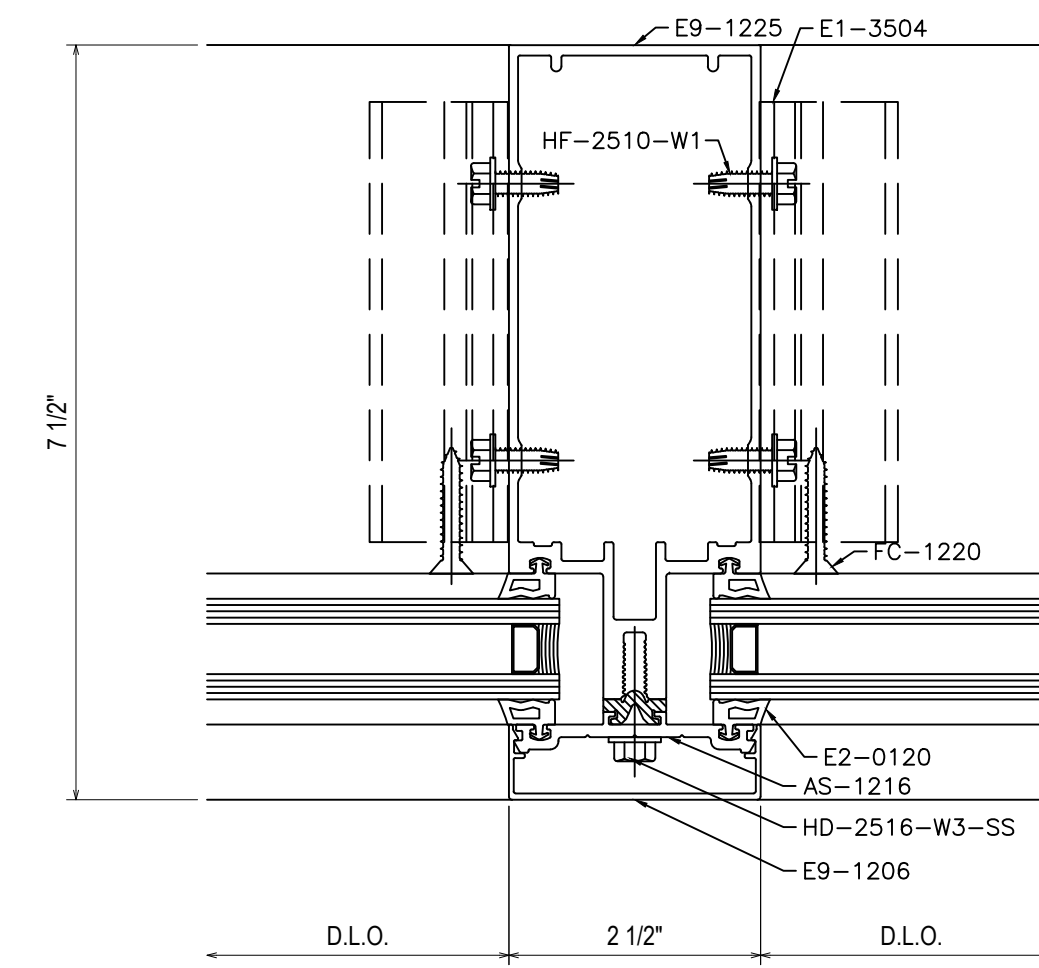
54
3.13
REF: N/A
CW3



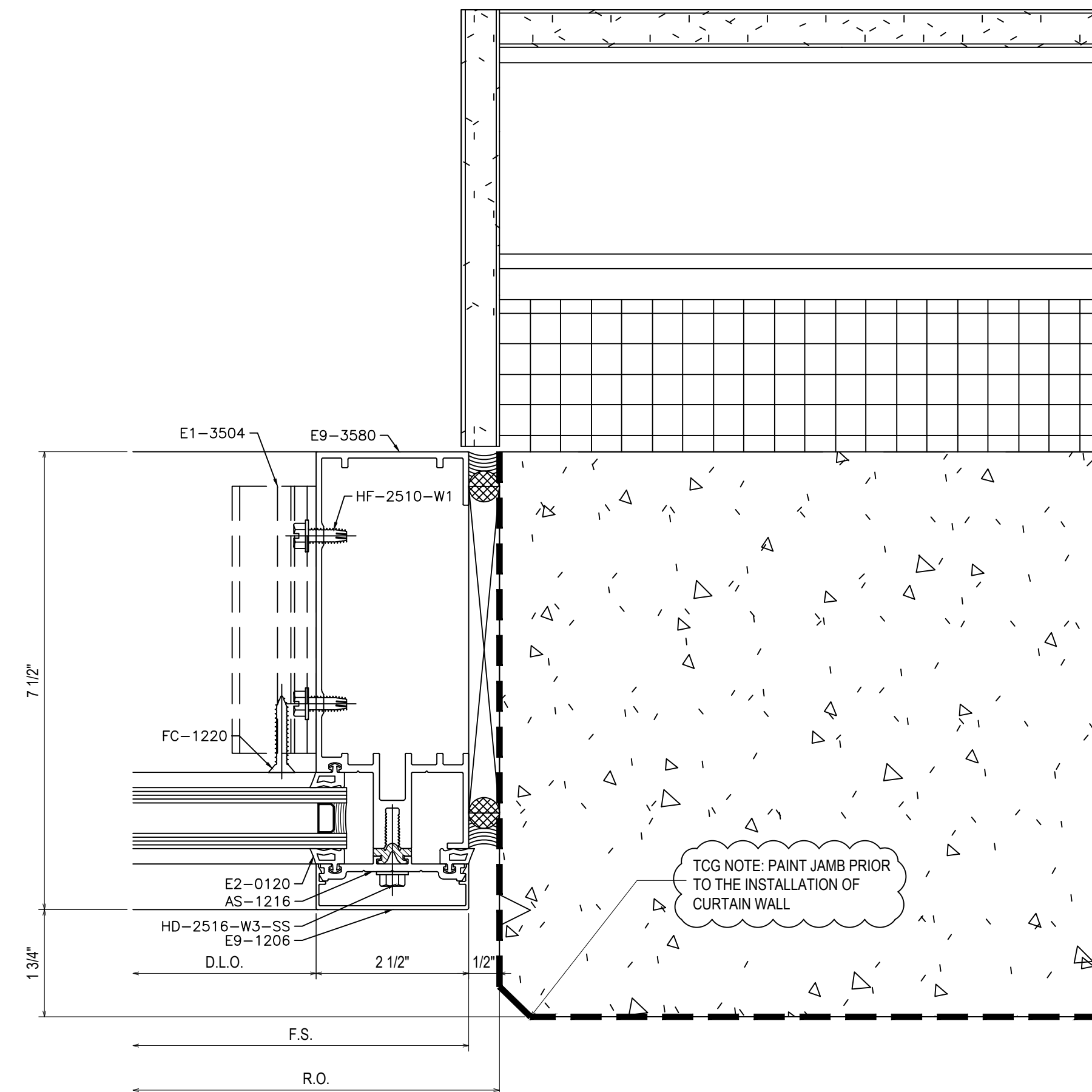
55
3.13
REF: A5/A-514
CW3



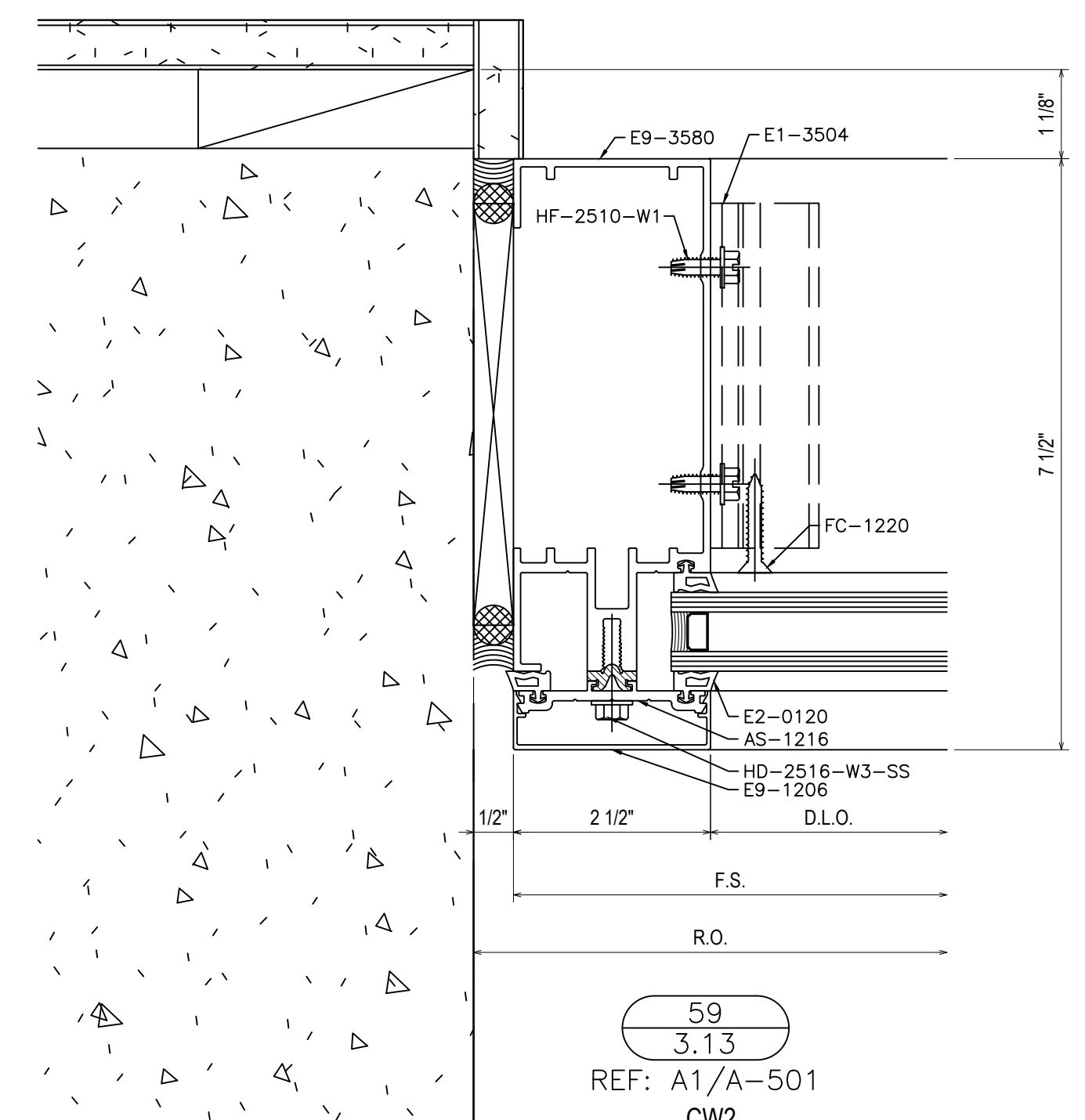
56
3.13
REF: N/A
CW1



57
3.13
REF: N/A
TYPICAL VERTICAL



58
3.13
REF: B3/A-515 SIM.
CW1



59
3.13
REF: A1/A-501
CW2

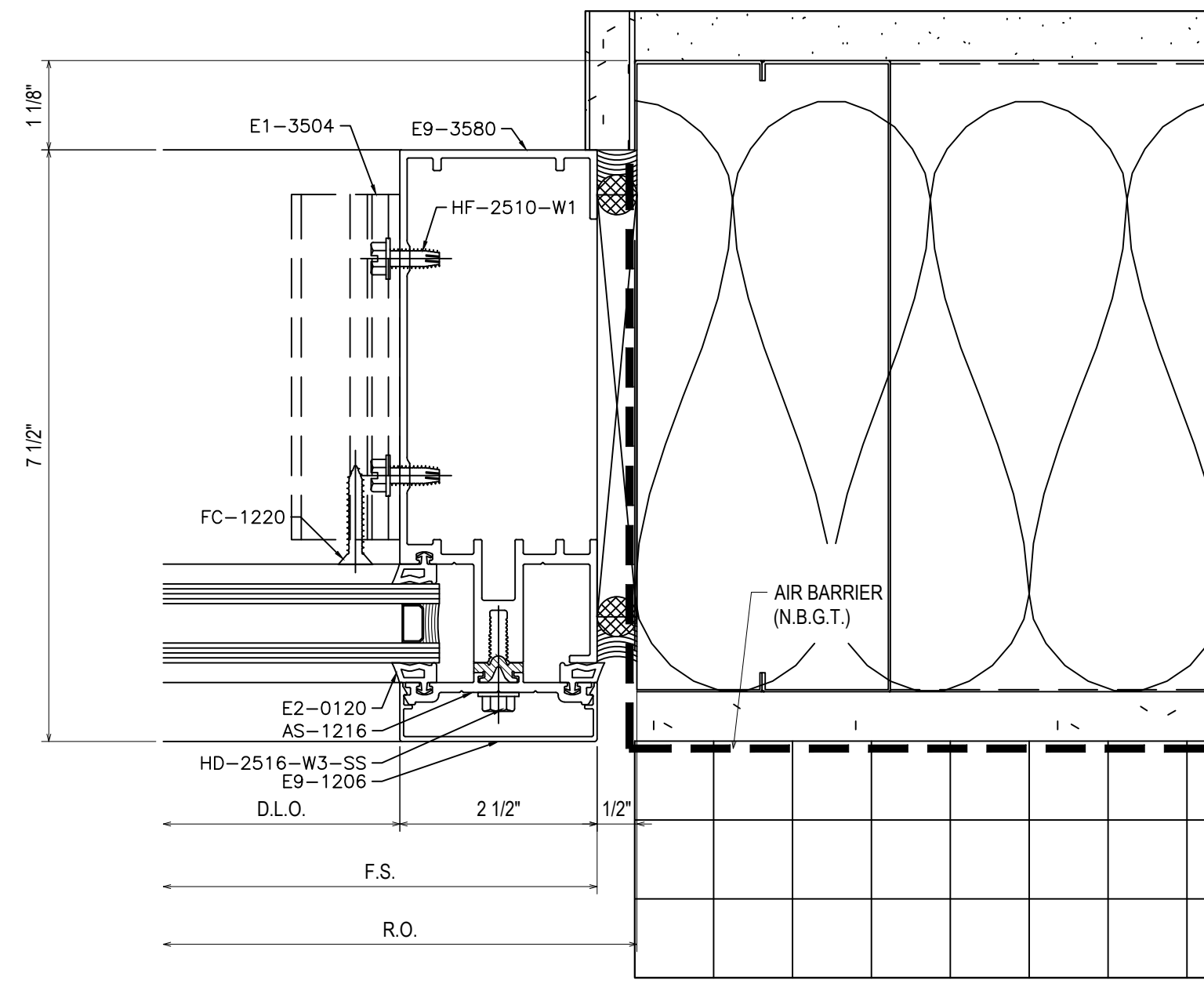
TGG NOTE: PAINT JAMB PRIOR TO THE INSTALLATION OF CURTAIN WALL

1ST SUBMISSION	4.22.21
1ST REVISION	7.14.21
2ND REVISION (ENGINEERING)	7.20.21
NO	NO
DESCRIPTION	DATE
DRAWING SUBMISSION	

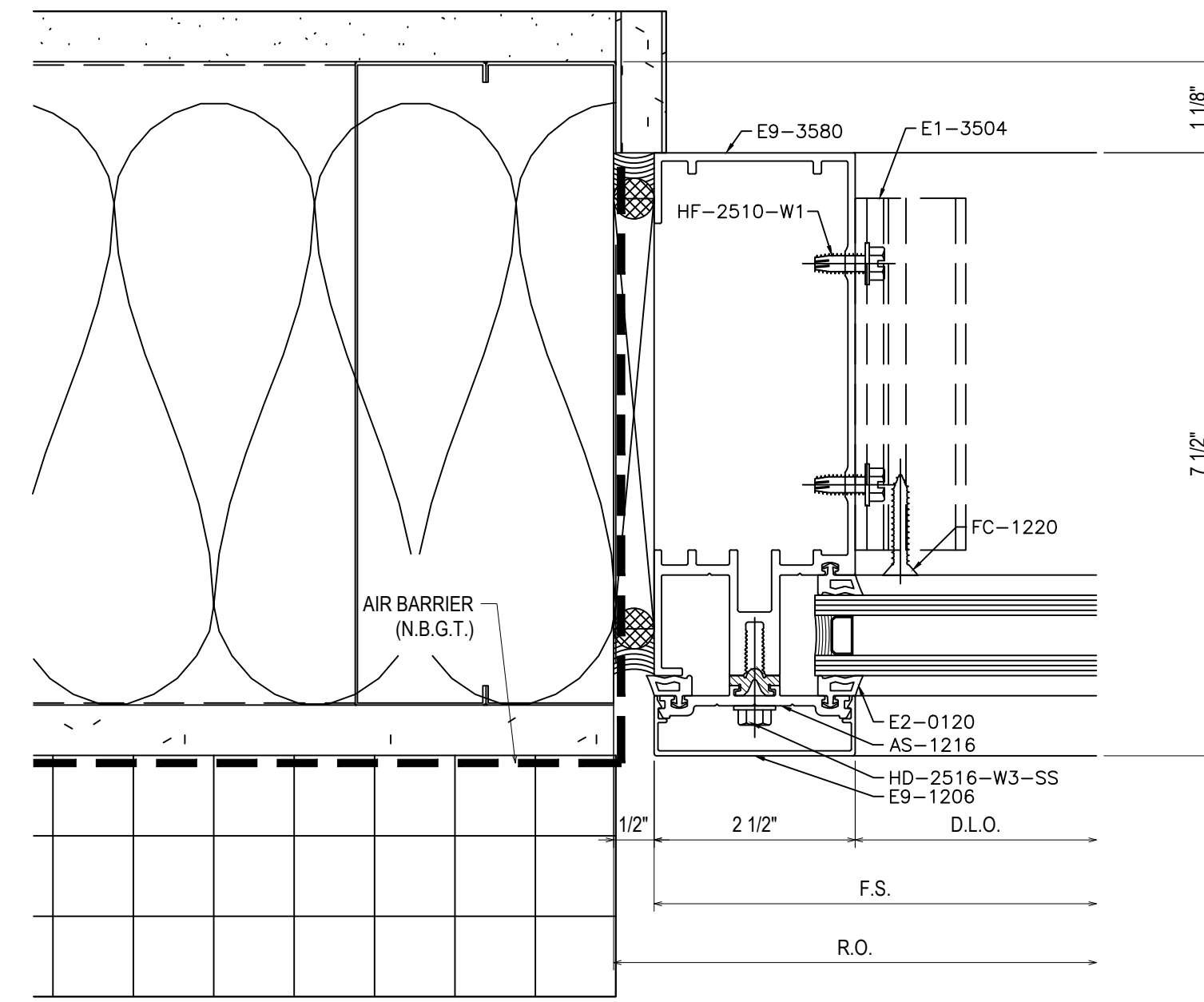
GLASS TECH COMMERCIAL GLAZING SERVICES, INC.
850 WEST STAR STREET
GREENVILLE, NC 27834
P: 252.355.9195

PROJECT: NEW HANOVER COUNTY GOVERNMENT CENTER
LOCATION: 230 GOVERNMENT CENTER DRIVE WILMINGTON, NC 28403
ARCHITECT: LS3P ASSOCIATES LTD.
CUSTOMER: GLASS TECH COMMERCIAL GLAZING SERVICES

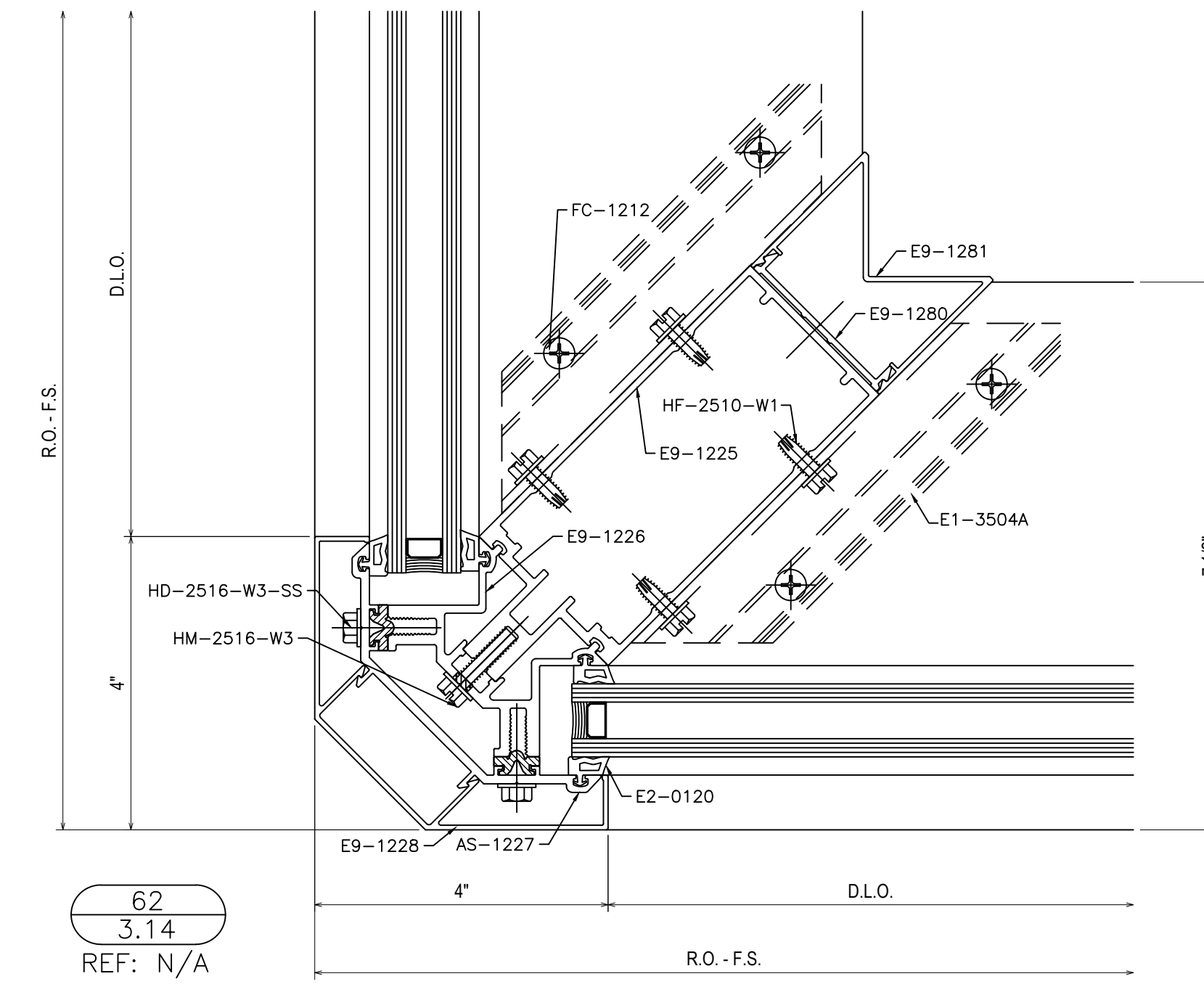
DRAWN BY:	DATE:
DJ	4.22.21
CHECKED BY:	DATE:
WH	4.22.21



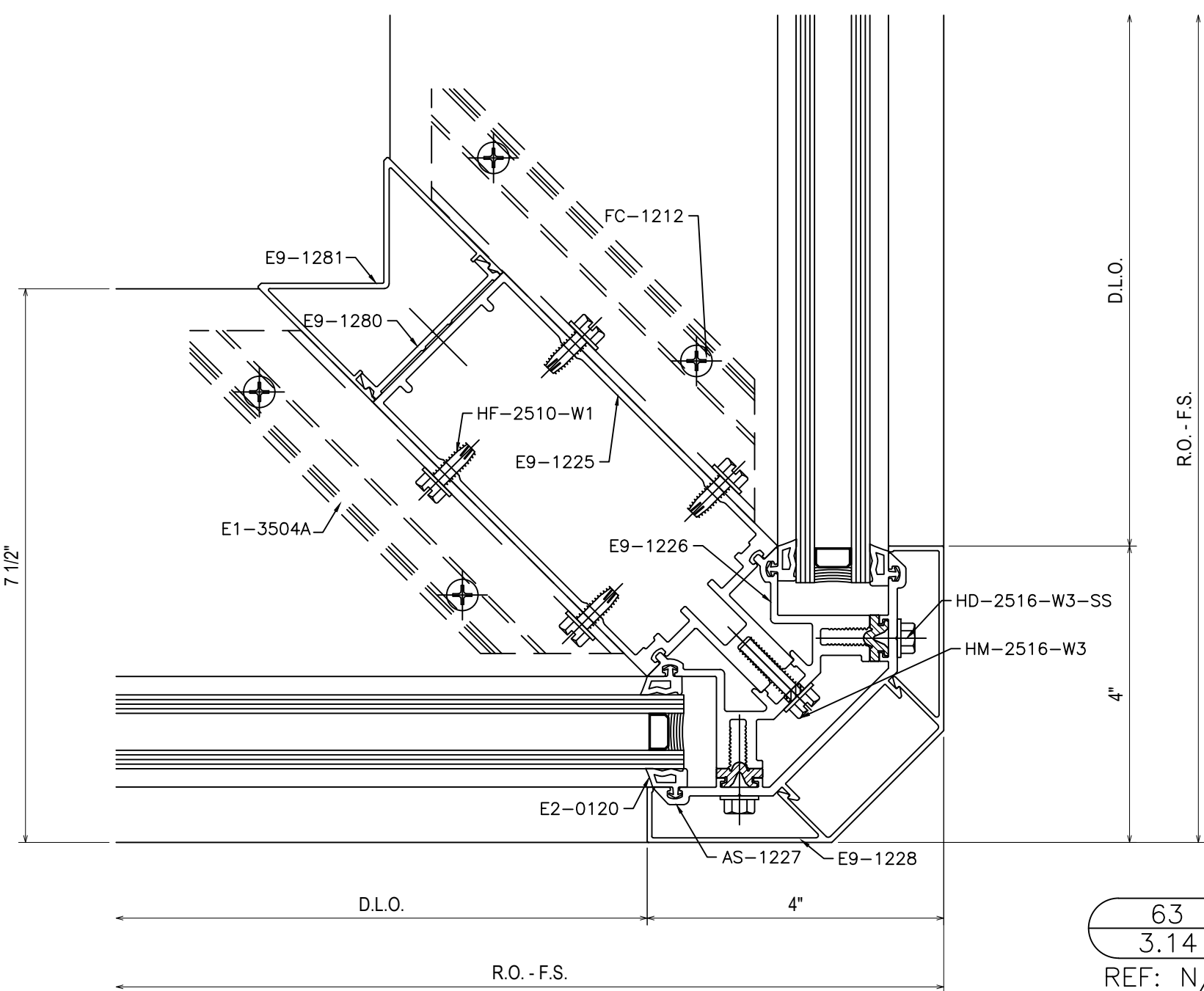
60
3.14
REF: A1/A-501
CW2-CW10



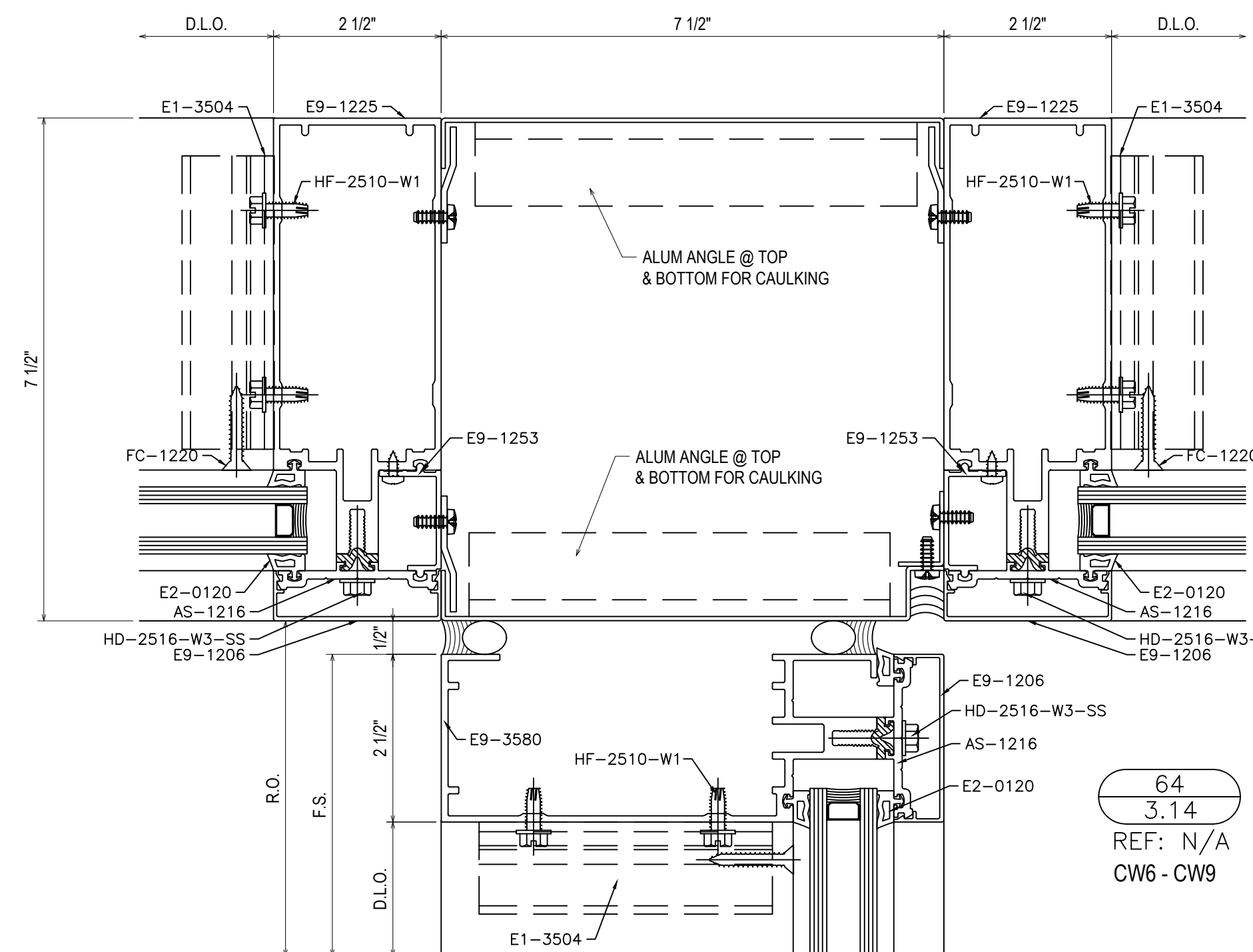
61
3.14
REF: A1/A-501
CW9



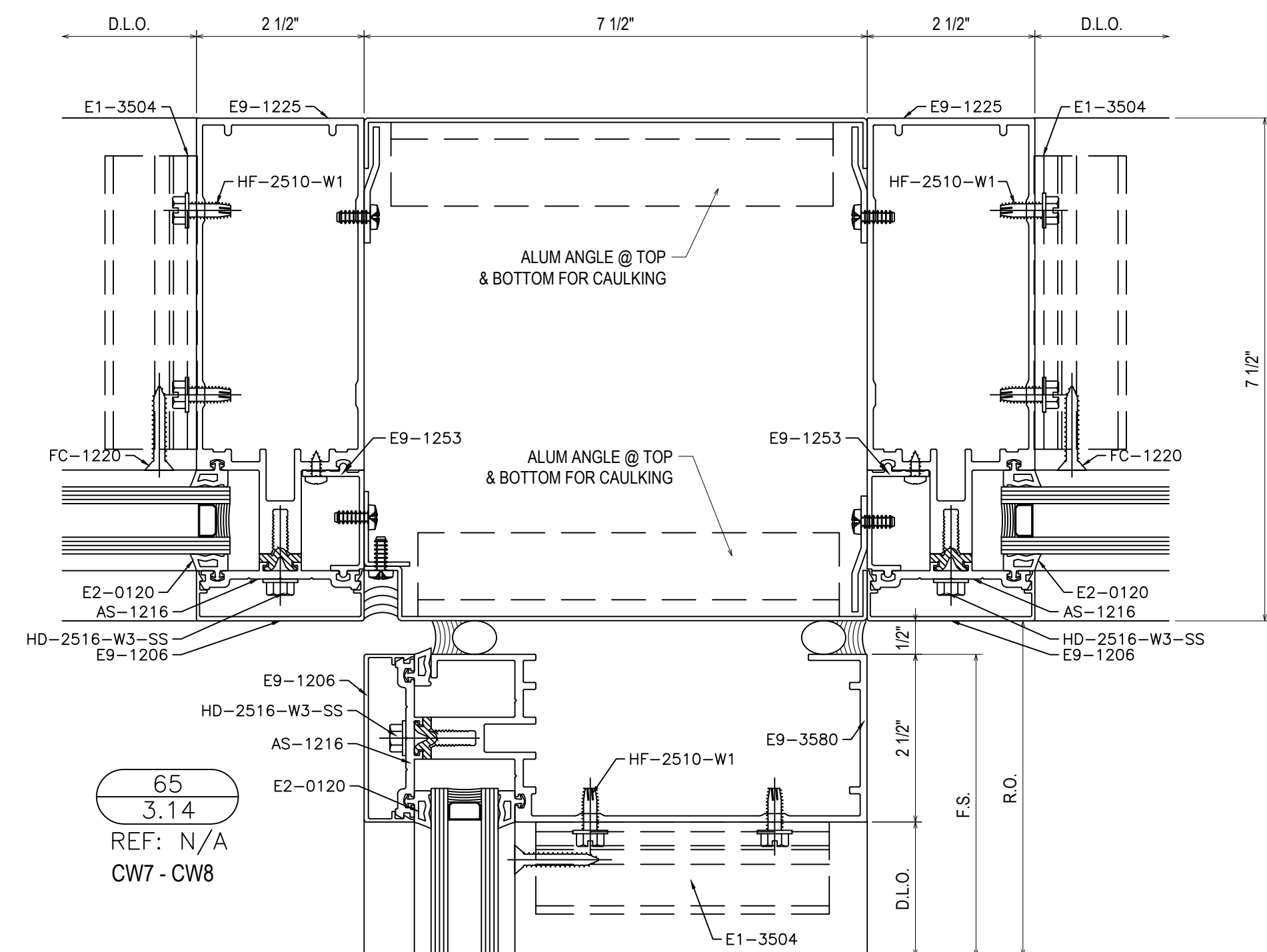
62
3.14
REF: N/A
CW5-CW6-CW7-CW11



63
3.14
REF: N/A
CW5-CW6-CW7-CW8-CW10-CW11



64
3.14
REF: N/A
CW6-CW9



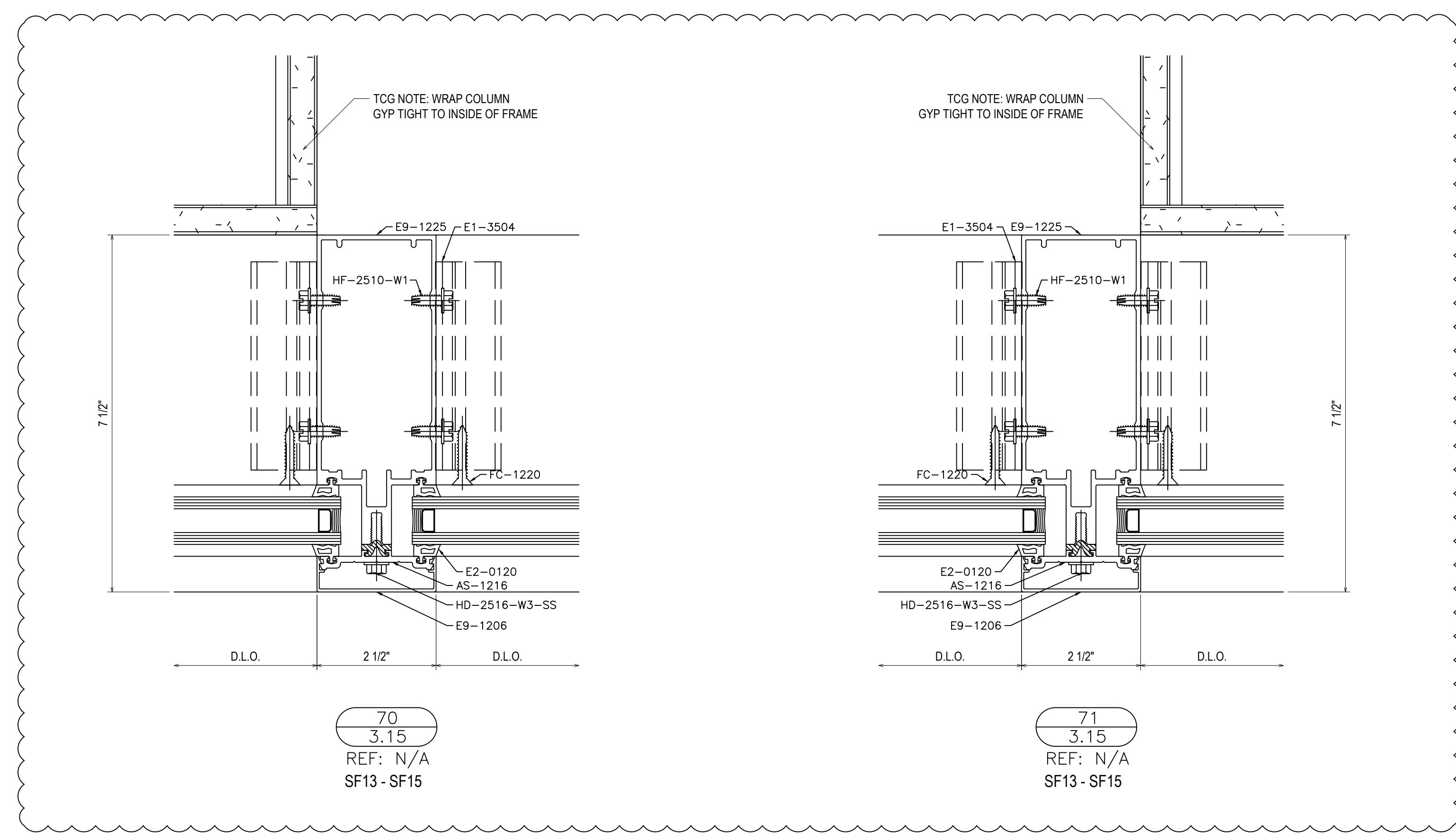
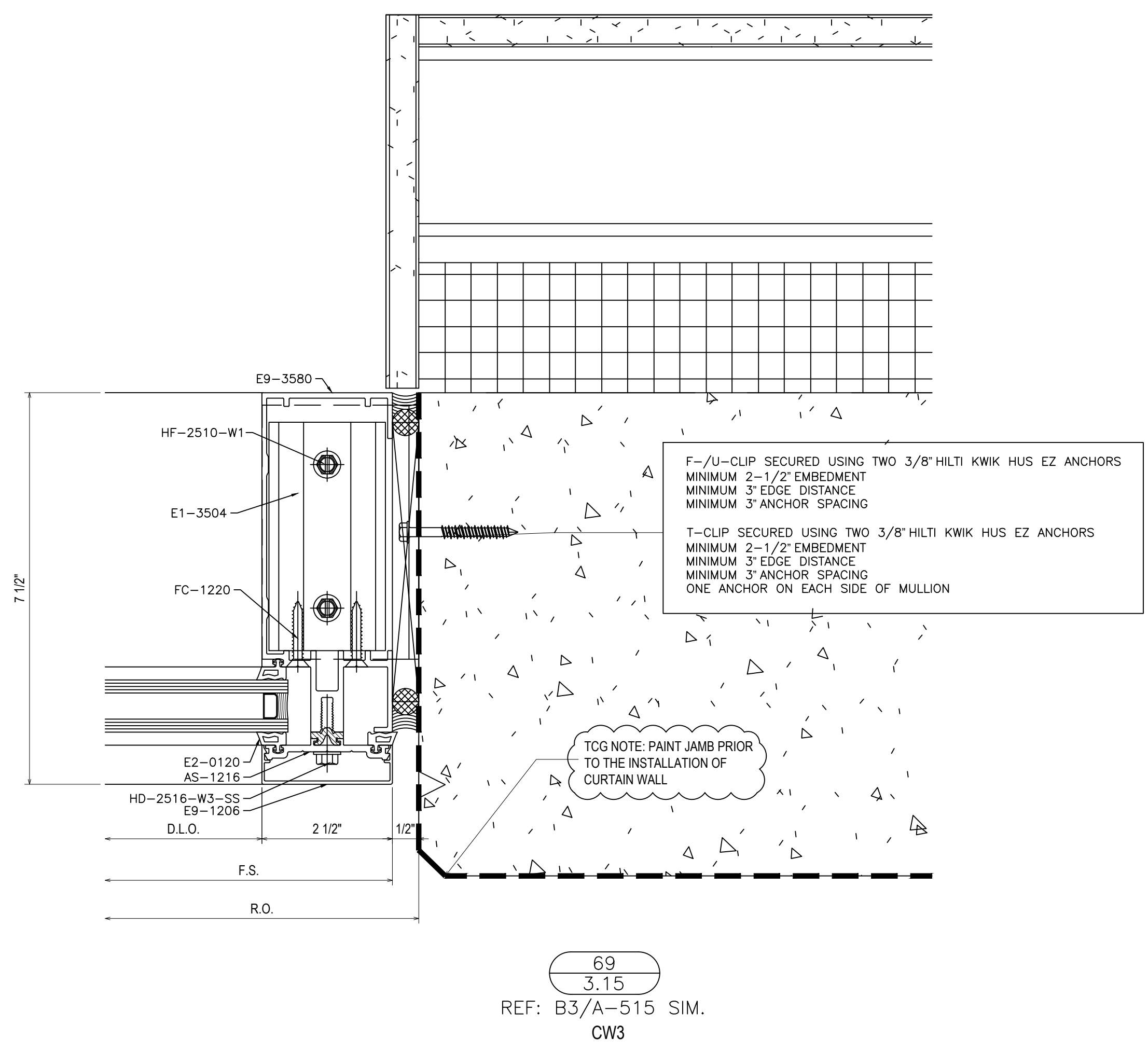
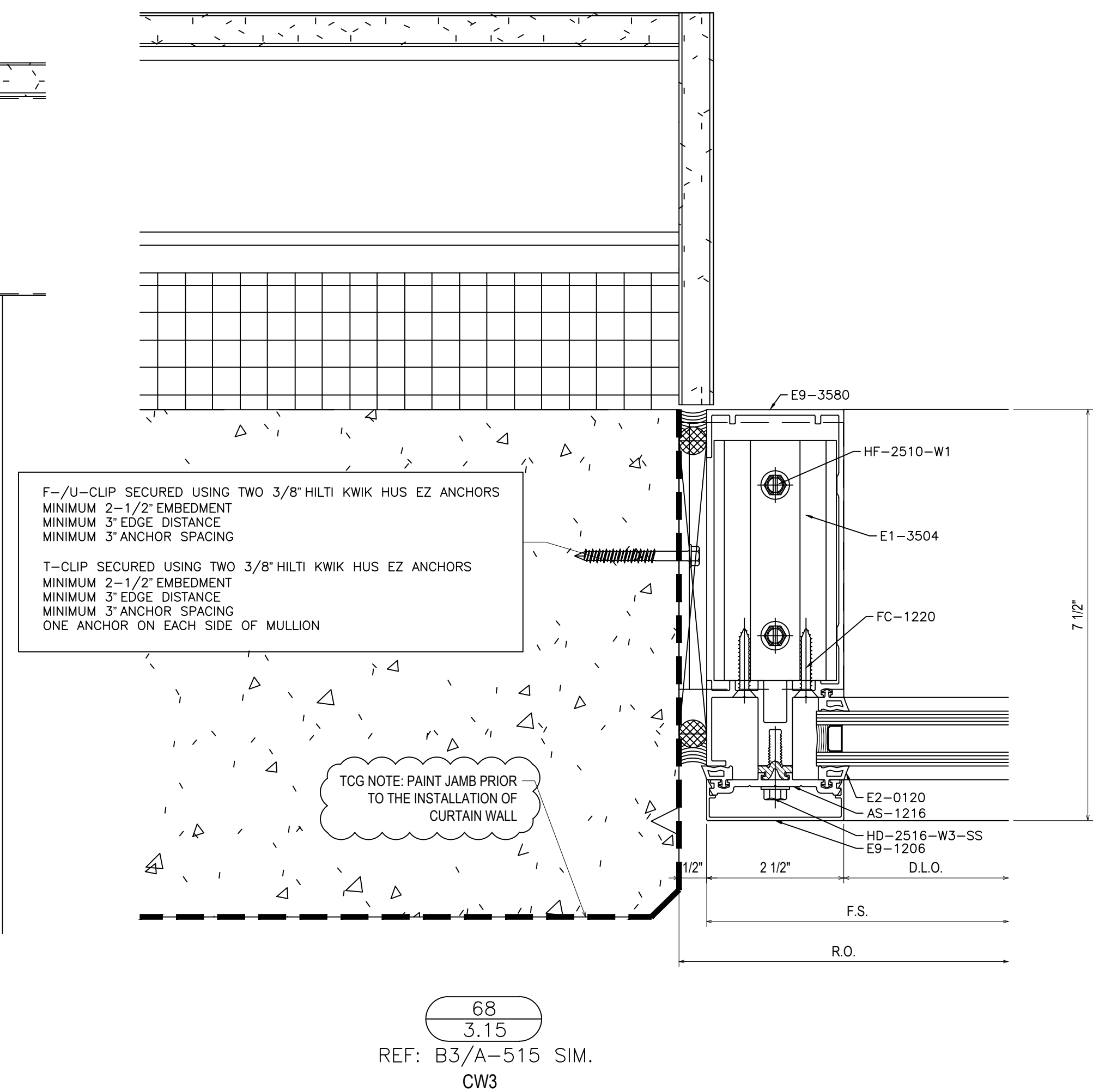
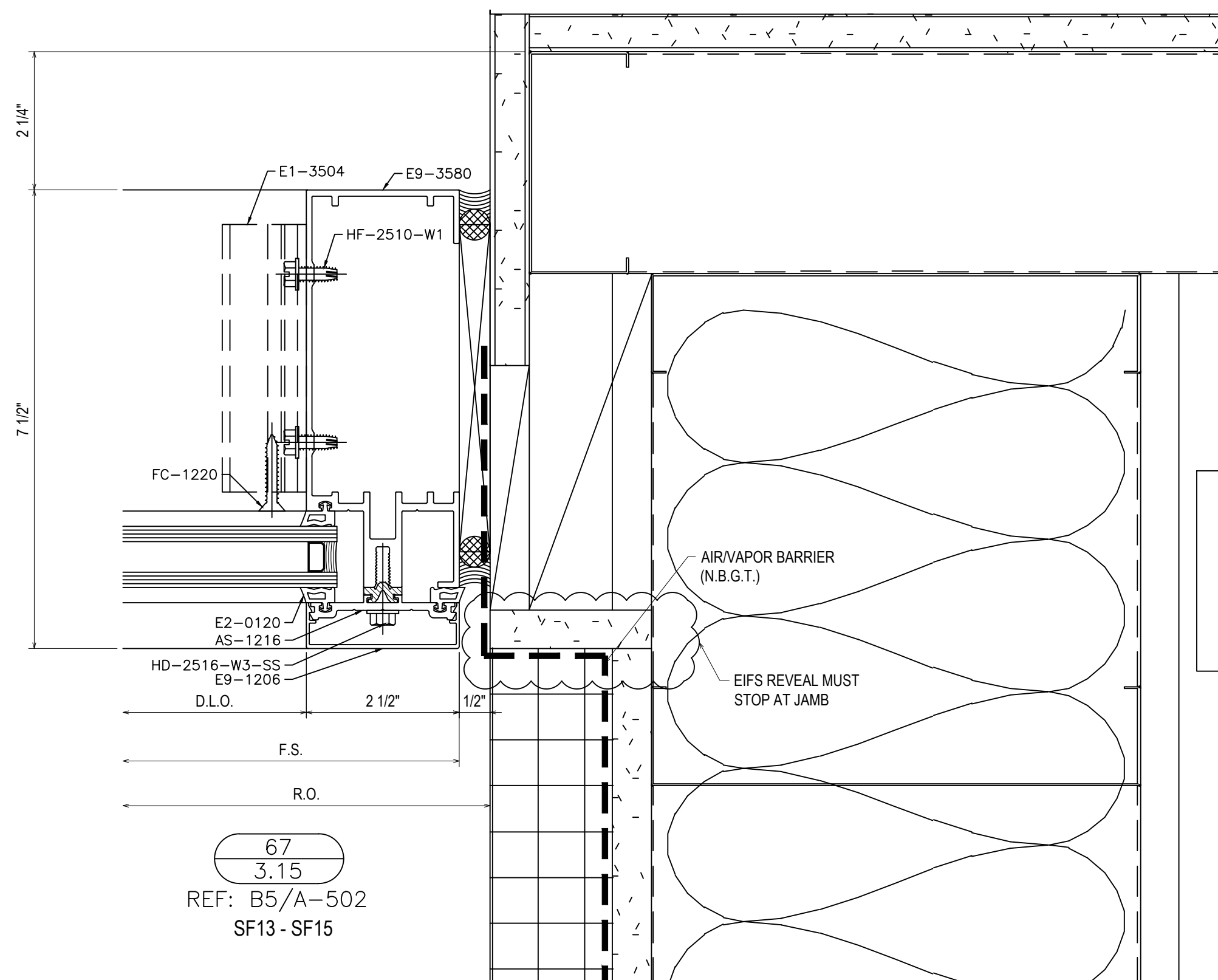
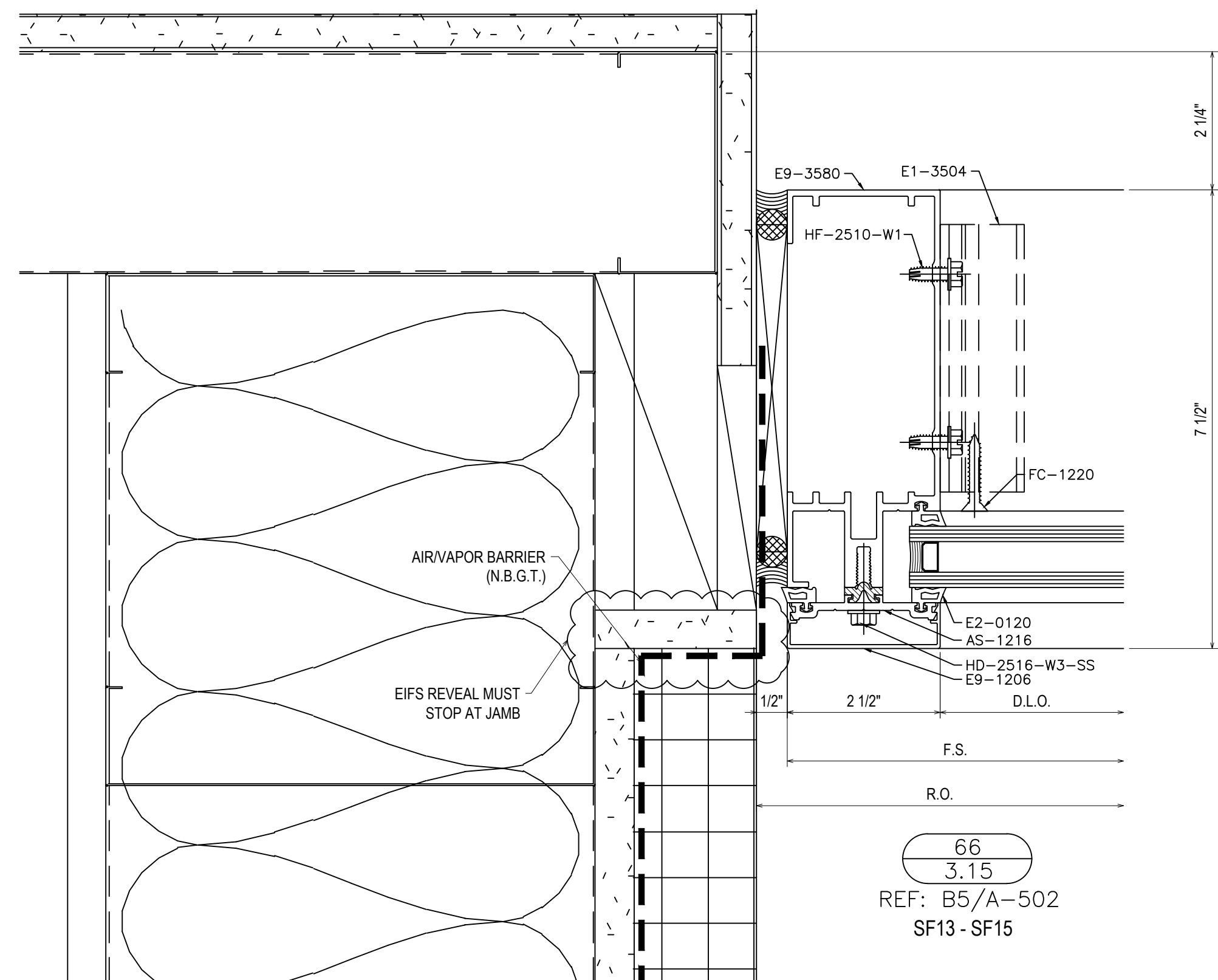
65
3.14
REF: N/A
CW7-CW8

1ST SUBMISSION	4.22.21
1ST REVISION	7.14.21
2ND REVISION (ENGINEERING)	7.20.21
NO	DESCRIPTION
NO	DATE

GLASS TECH COMMERCIAL GLAZING SERVICES, INC.
850 WEST STAR STREET
GREENVILLE, NC 27834
P: 252.355.9195

PROJECT: NEW HANOVER COUNTY GOVERNMENT CENTER
LOCATION: 230 GOVERNMENT CENTER DRIVE WILMINGTON, NC 28403
ARCHITECT: LS3P ASSOCIATES LTD.
CUSTOMER: GLASS TECH COMMERCIAL GLAZING SERVICES

DRAWN BY:	DATE:
DJ	4.22.21
CHECKED BY:	DATE:
WH	4.22.21

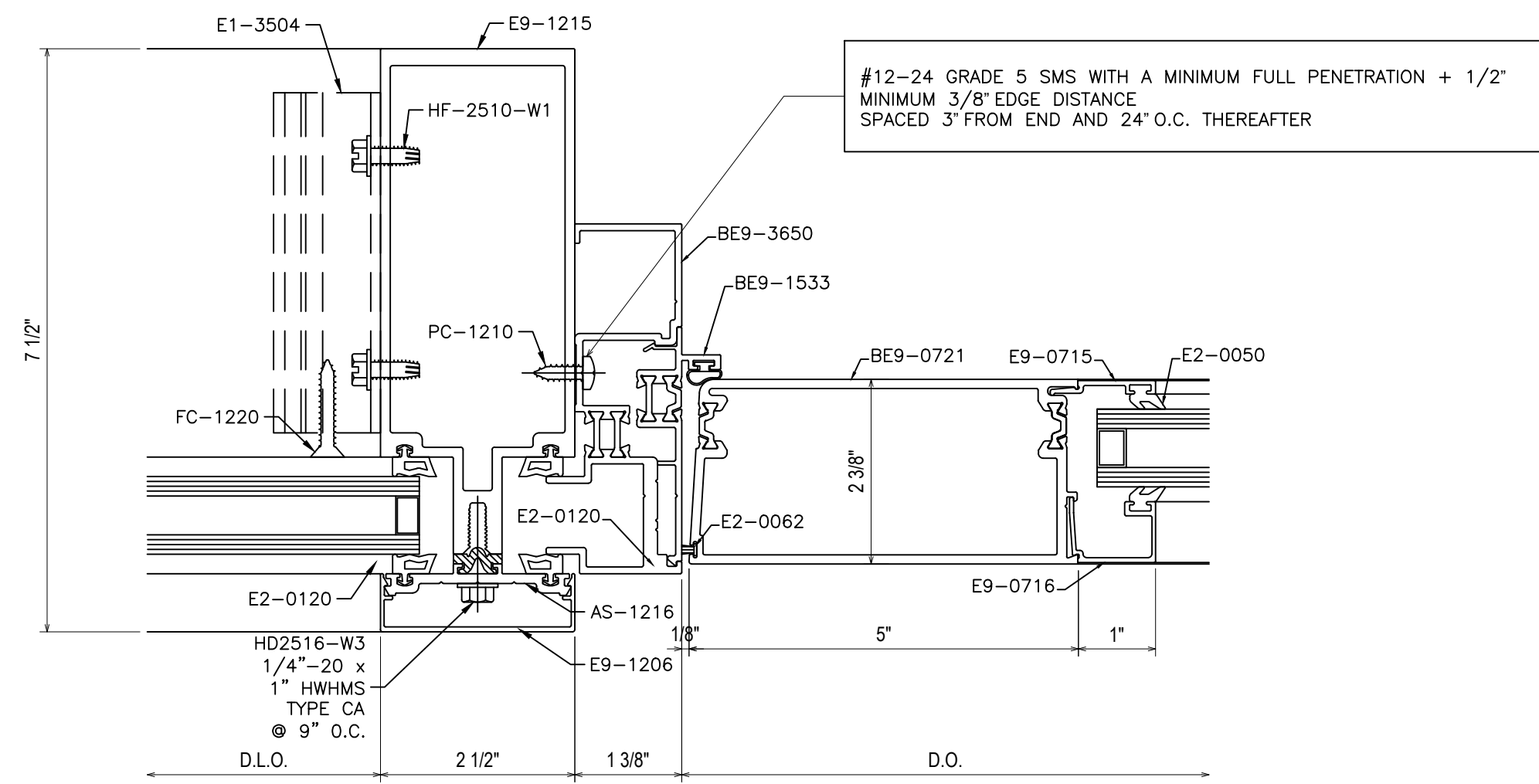


1ST SUBMISSION	4.22.21
1ST REVISION	7.14.21
2ND REVISION (ENGINEERING)	7.20.21
NO	NO
DESCRIPTION	DATE
DRAWING SUBMISSION	

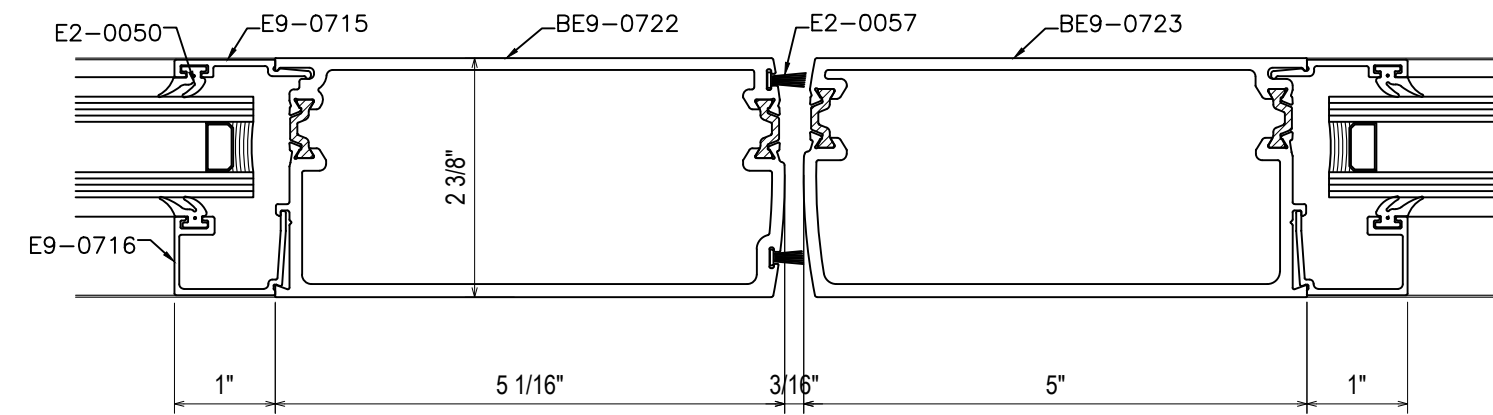
GLASS TECH COMMERCIAL GLAZING SERVICES, INC.
 850 WEST STAR STREET
 GREENVILLE, NC 27834
 P: 252.355.9195

PROJECT: NEW HANOVER COUNTY GOVERNMENT CENTER
 LOCATION: 230 GOVERNMENT CENTER DRIVE WILMINGTON, NC 28403
 ARCHITECT: LS3P ASSOCIATES LTD.
 CUSTOMER: GLASS TECH COMMERCIAL GLAZING SERVICES

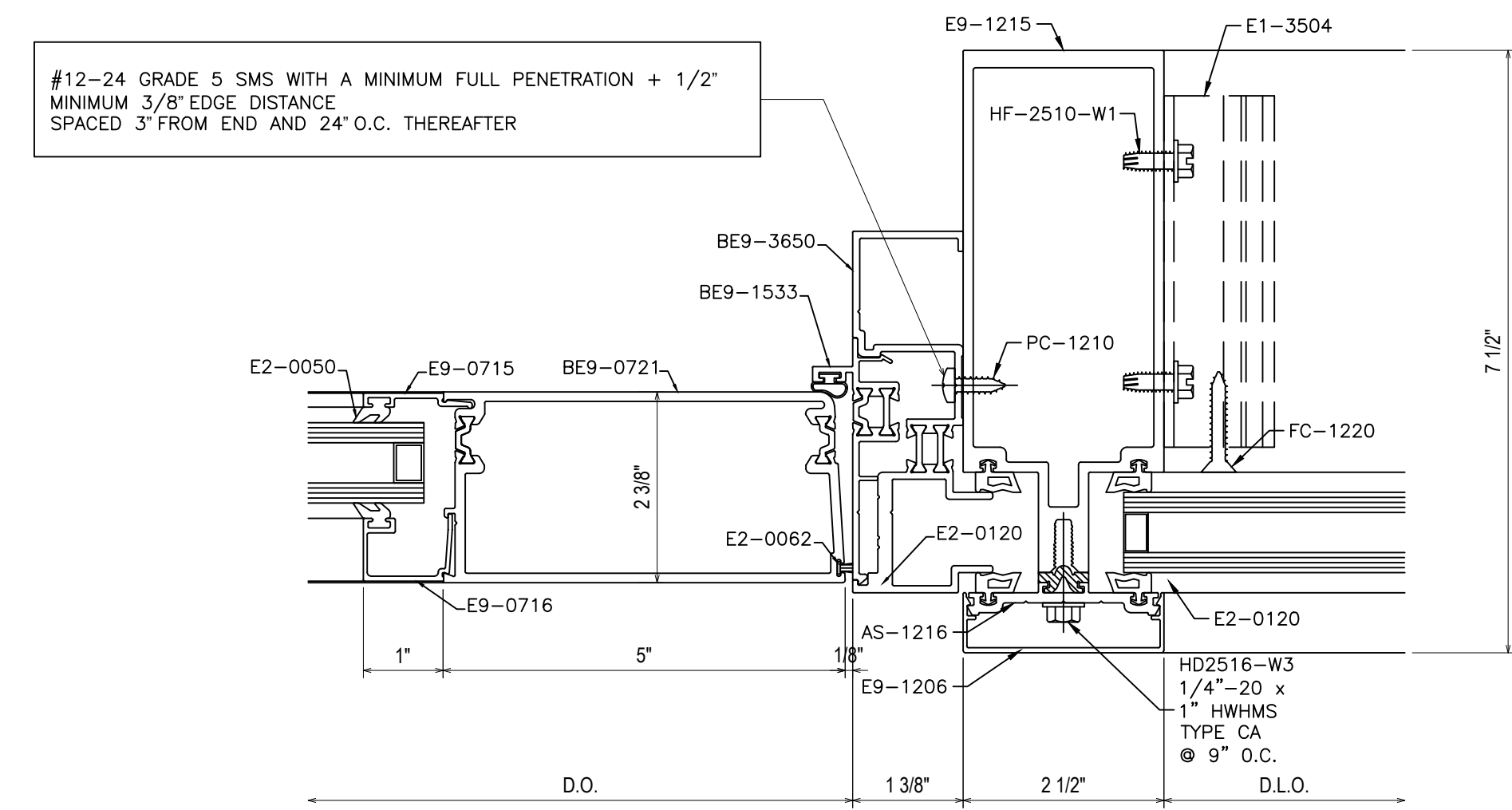
DRAWN BY:	DATE:
DJ	4.22.21
CHECKED BY:	DATE:
WH	4.22.21



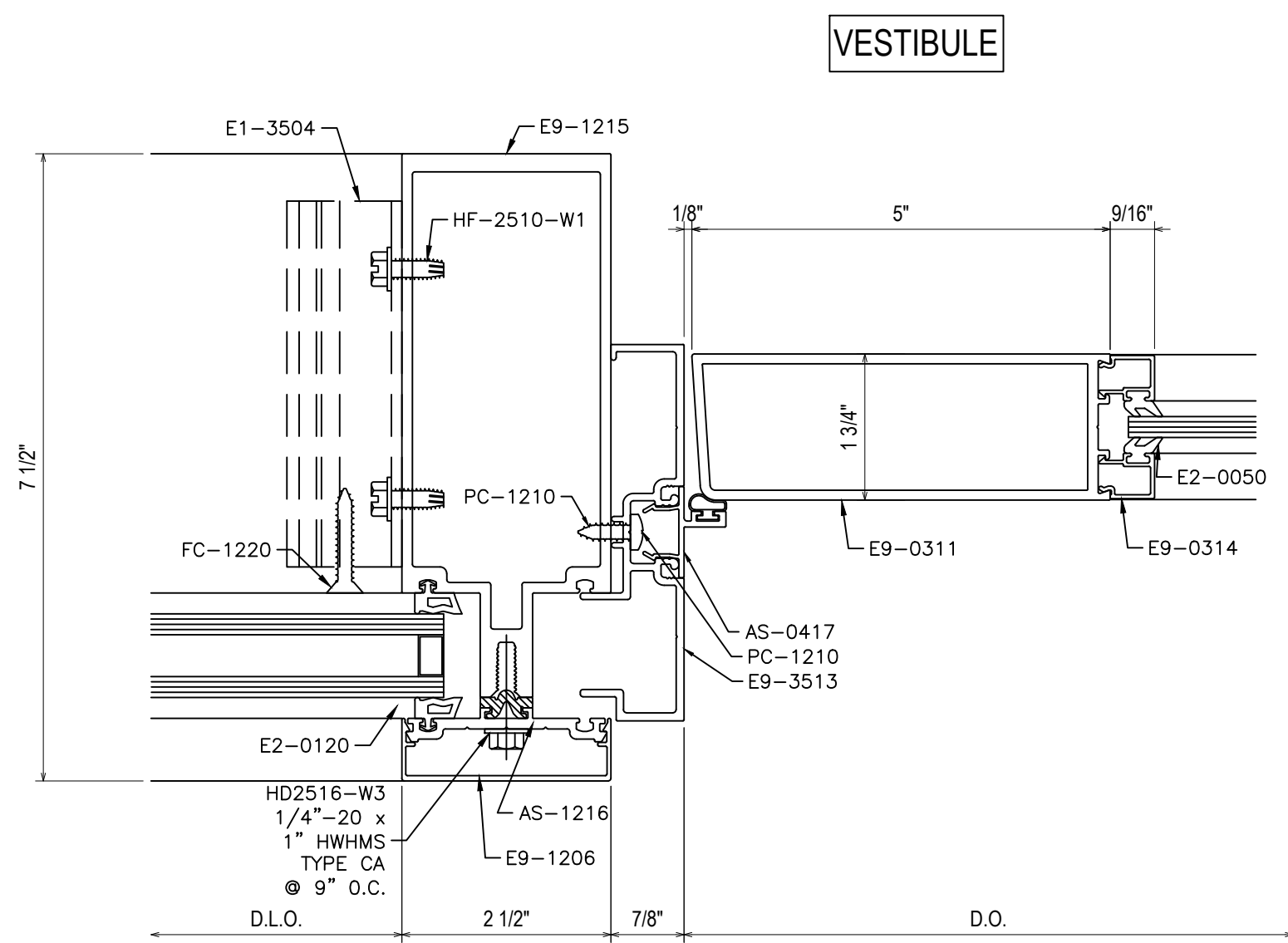
72
3.16
REF: N/A
CW5



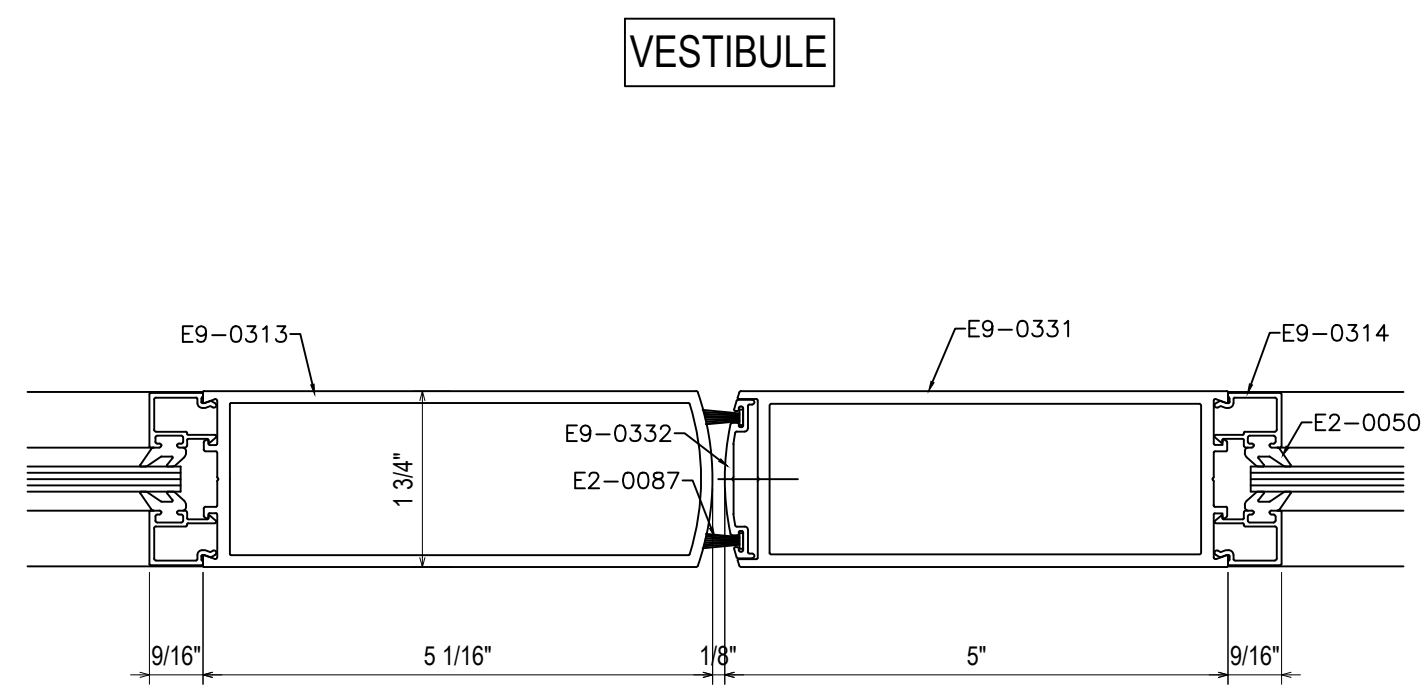
73
3.16
REF: N/A
CW5



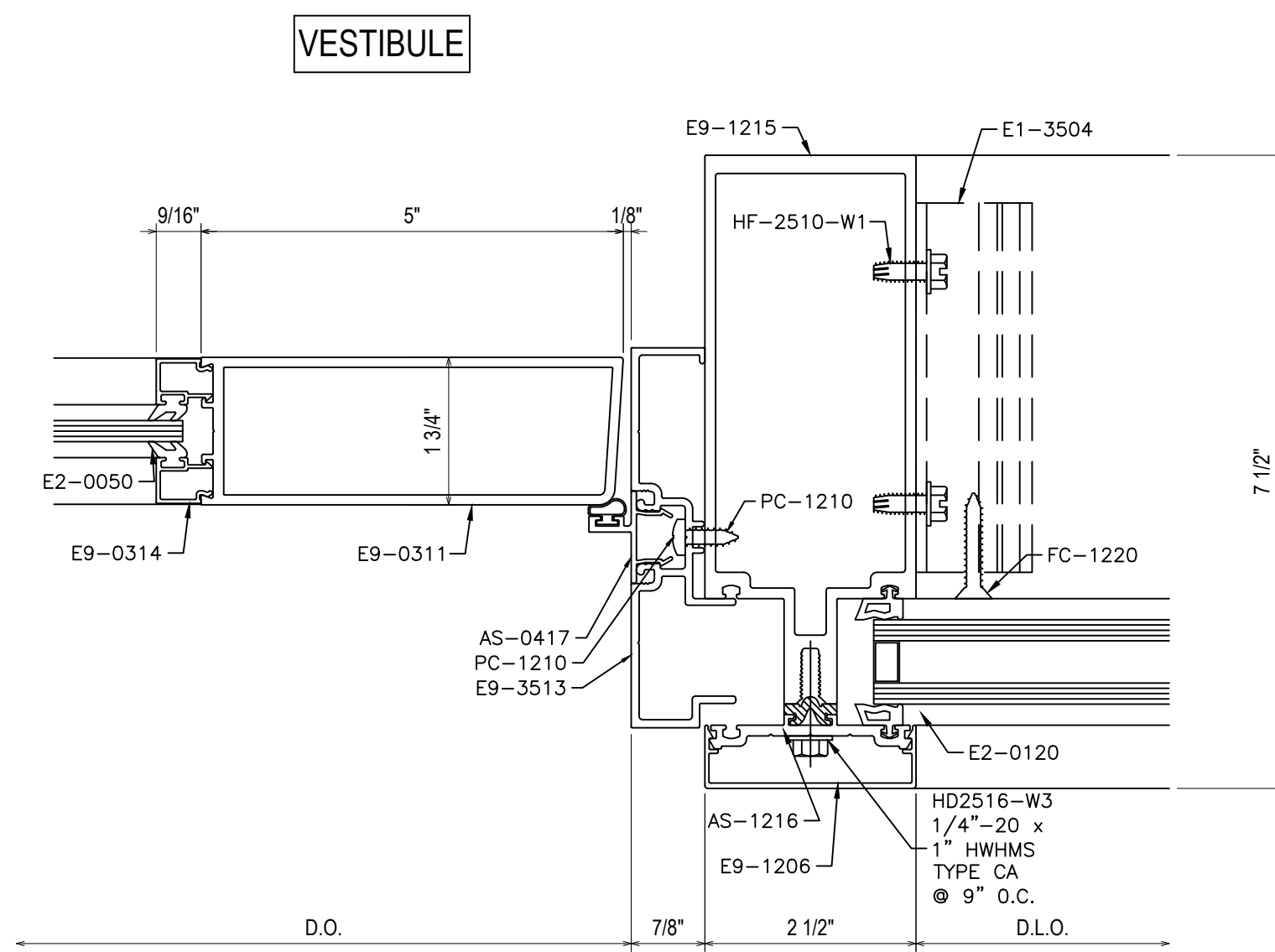
74
3.16
REF: N/A
CW5



75
3.16
REF: N/A
CW11



76
3.16
REF: N/A
CW11



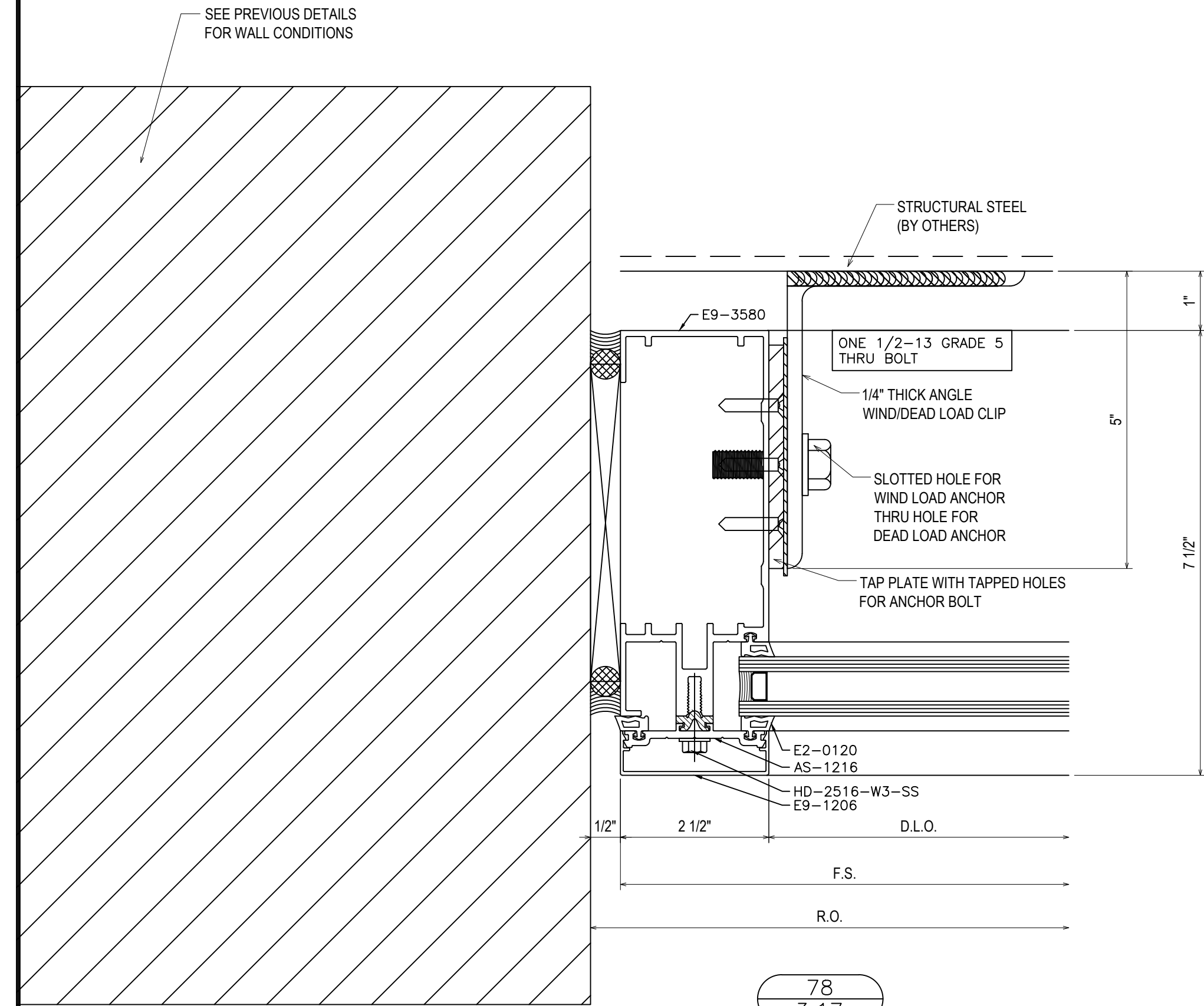
77
3.16
REF: N/A
CW11

1ST SUBMISSION	4.22.21
1ST REVISION	7.14.21
2ND REVISION (ENGINEERING)	7.20.21
NO	NO
DESCRIPTION	DATE
DRAWING SUBMISSION	

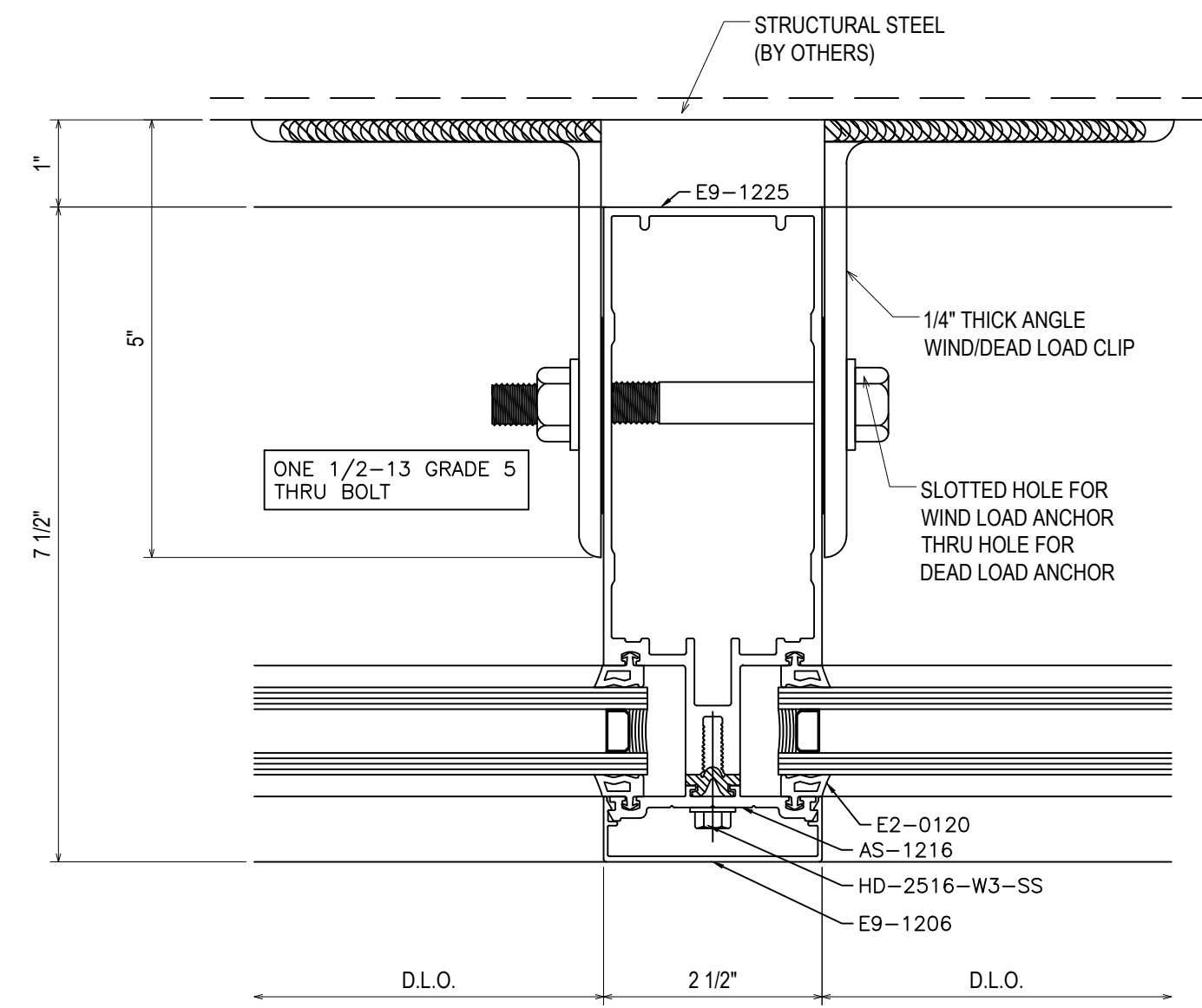
GLASS TECH COMMERCIAL GLAZING SERVICES, INC.
850 WEST STAR STREET
GREENVILLE, NC 27834
P: 252.355.9195

PROJECT: NEW HANOVER COUNTY GOVERNMENT CENTER
LOCATION: 230 GOVERNMENT CENTER DRIVE WILMINGTON, NC 28403
ARCHITECT: LS3P ASSOCIATES LTD.
CUSTOMER: GLASS TECH COMMERCIAL GLAZING SERVICES

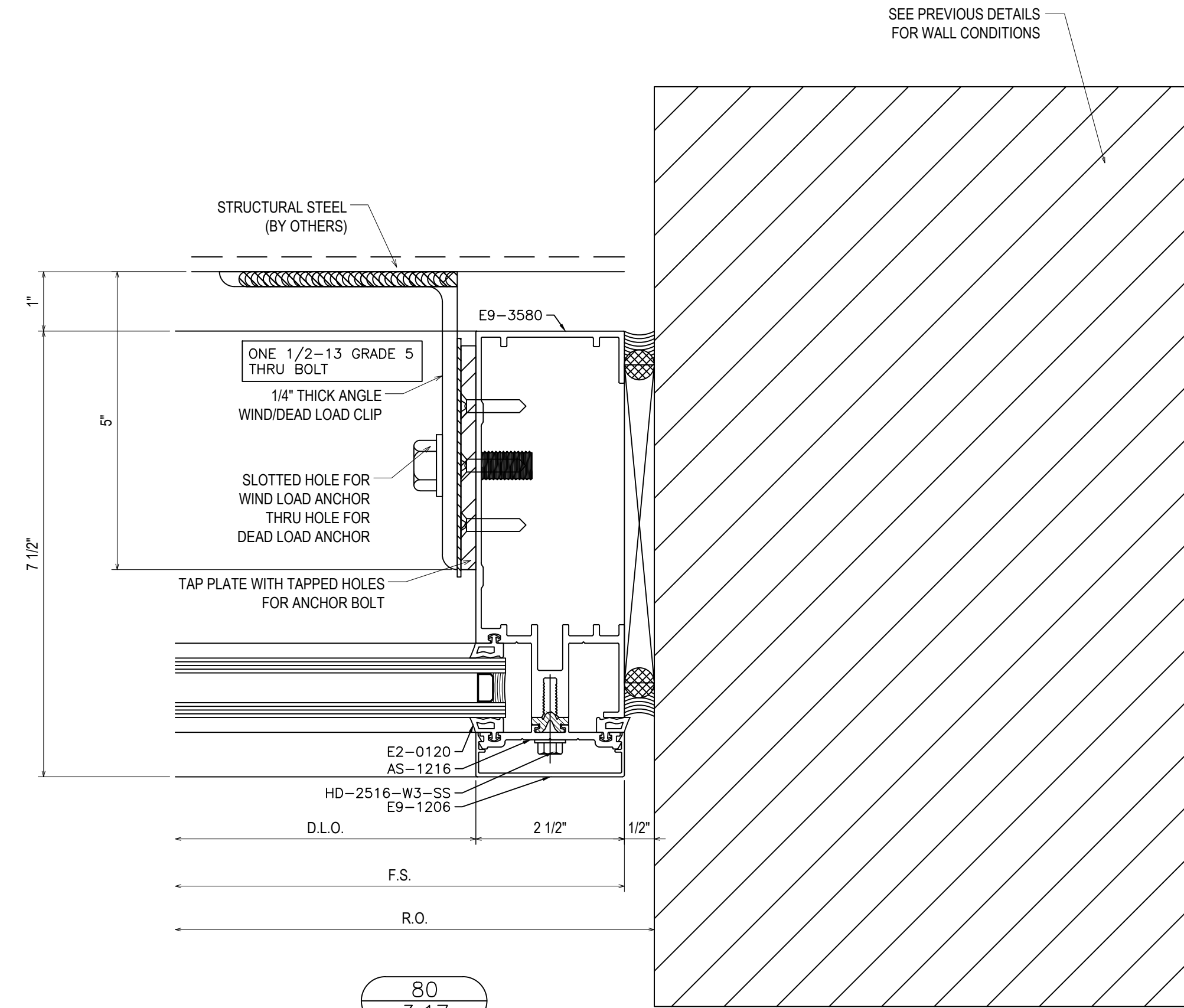
DRAWN BY:	DATE:
DJ	4.22.21
CHECKED BY:	DATE:
WH	4.22.21



78
3.17
REF: N/A
CW1 - CW2



79
3.17
REF: N/A
CW1



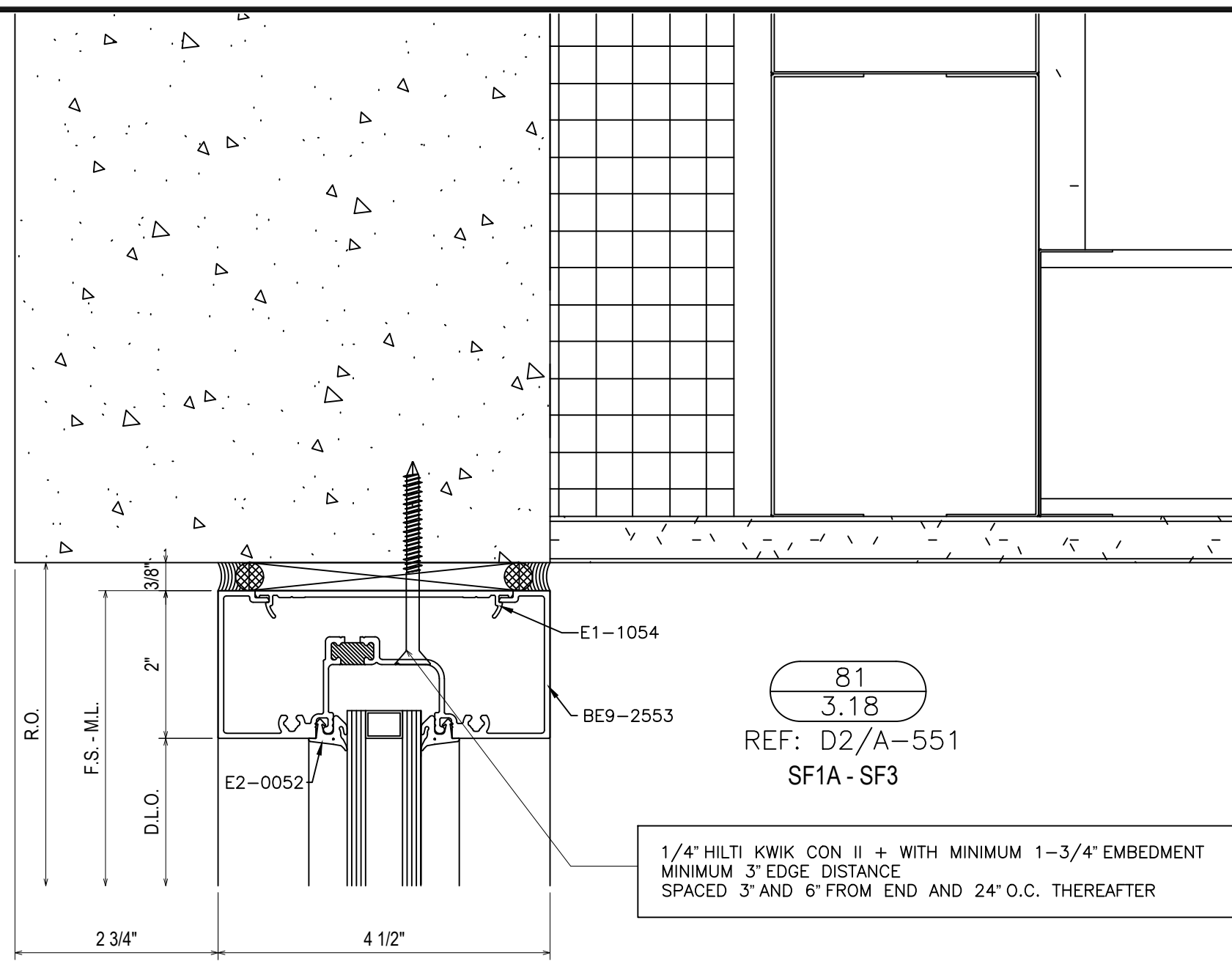
80
3.17
REF: N/A
CW1 - CW2

1ST SUBMISSION	4.22.21
1ST REVISION	7.14.21
2ND REVISION (ENGINEERING)	7.20.21
NO	DESCRIPTION
NO	DATE
DRAWING SUBMISSION	

GLASSTech COMMERCIAL GLAZING SERVICES, INC.
850 WEST STAR STREET
GREENVILLE, NC 27834
P: 252.355.9195

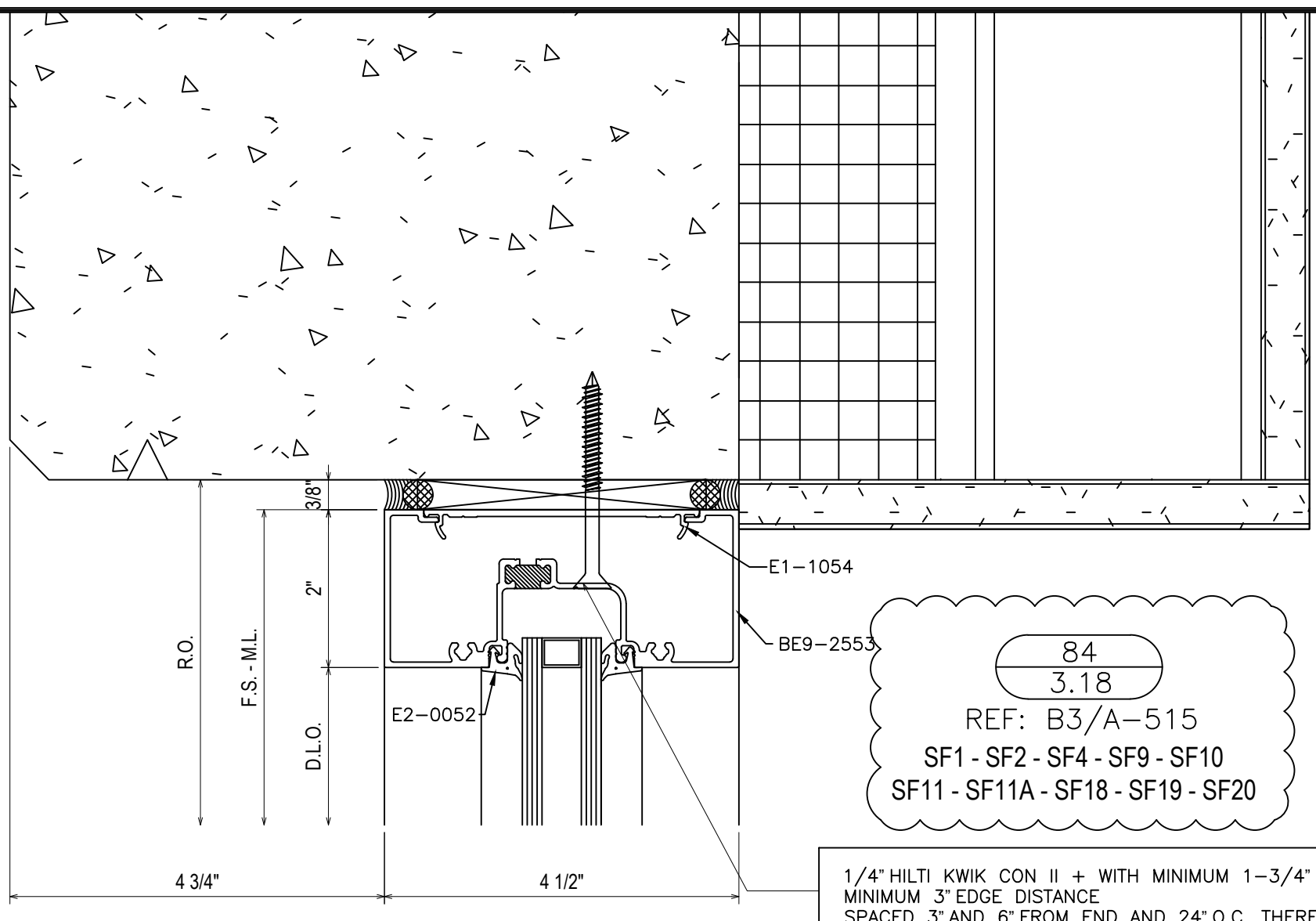
PROJECT: NEW HANOVER COUNTY
GOVERNMENT CENTER
LOCATION: 230 GOVERNMENT CENTER DRIVE
WILMINGTON, NC 28403
ARCHITECT: LS3P ASSOCIATES LTD.
CUSTOMER: GLASS TECH COMMERCIAL GLAZING SERVICES

DRAWN BY:	DATE:
DJ	4.22.21
CHECKED BY:	DATE:
WH	4.22.21



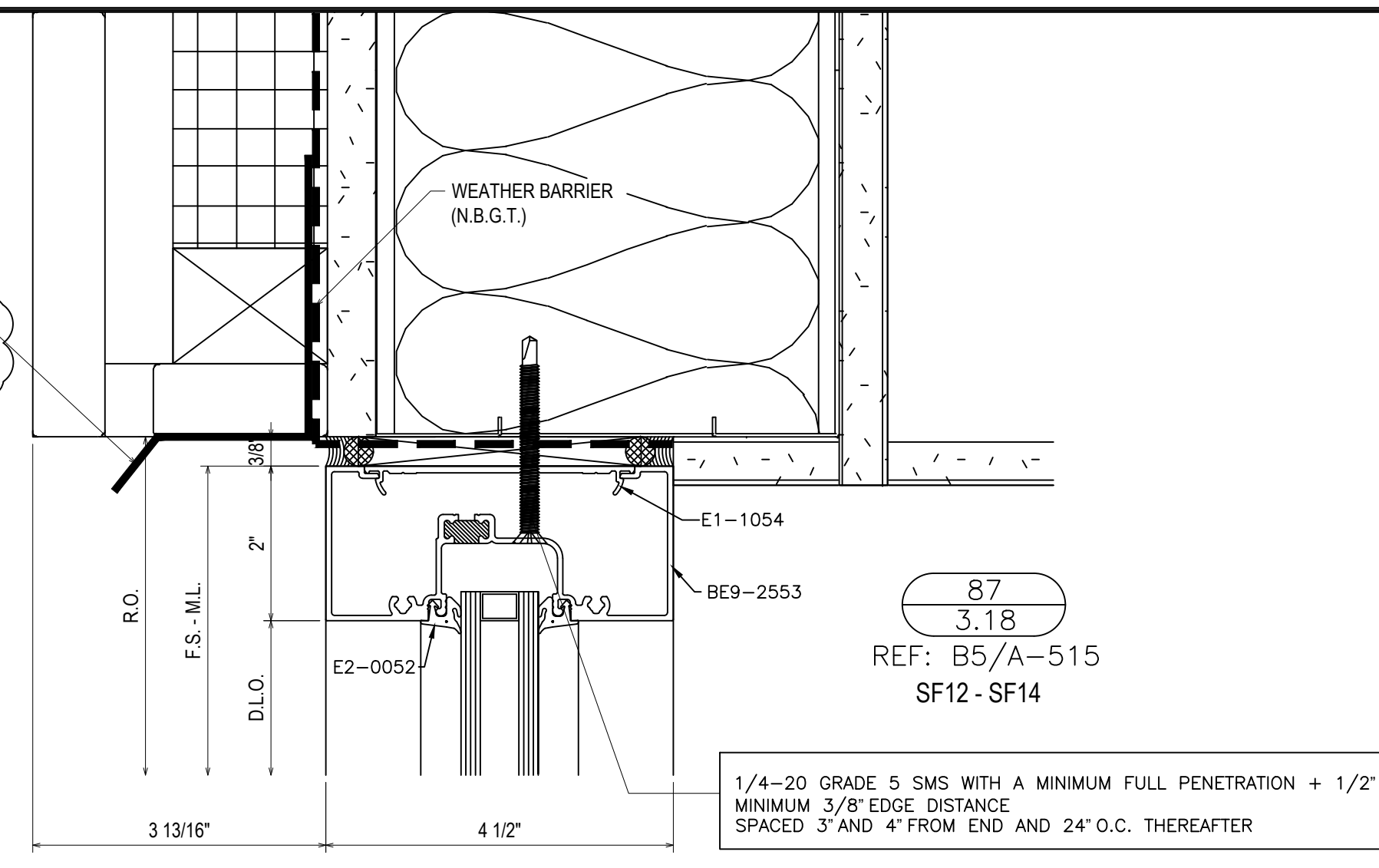
81
3.18
REF: D2/A-551
SF1A - SF3

1/4" HILTI KWIK CON II + WITH MINIMUM 1-3/4" EMBEDMENT
MINIMUM 3" EDGE DISTANCE
SPACED 3" AND 6" FROM END AND 24" O.C. THEREAFTER



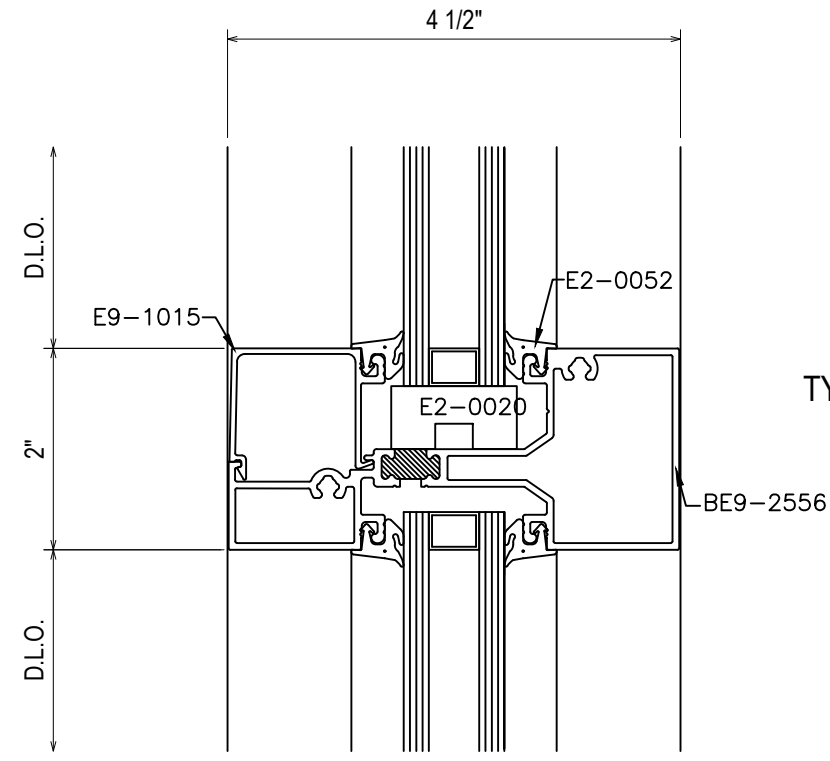
84
3.18
REF: B3/A-515
SF1 - SF2 - SF4 - SF9 - SF10
SF11 - SF11A - SF18 - SF19 - SF20

1/4" HILTI KWIK CON II + WITH MINIMUM 1-3/4" EMBEDMENT
MINIMUM 3" EDGE DISTANCE
SPACED 3" AND 6" FROM END AND 24" O.C. THEREAFTER

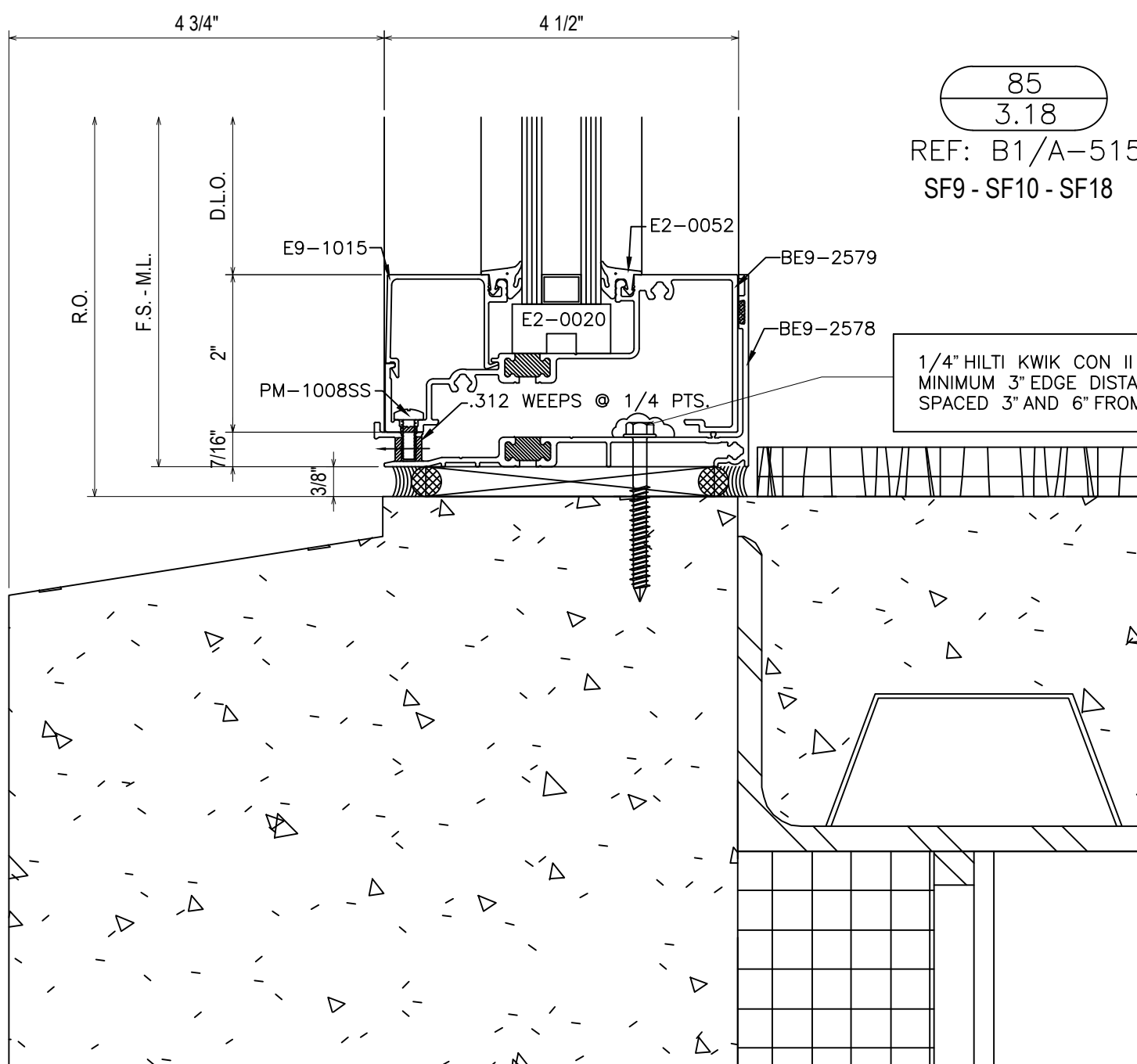


87
3.18
REF: B5/A-515
SF12 - SF14

1/4"-20 GRADE 5 SMS WITH A MINIMUM FULL PENETRATION + 1/2"
MINIMUM 3/8" EDGE DISTANCE
SPACED 3" AND 4" FROM END AND 24" O.C. THEREAFTER

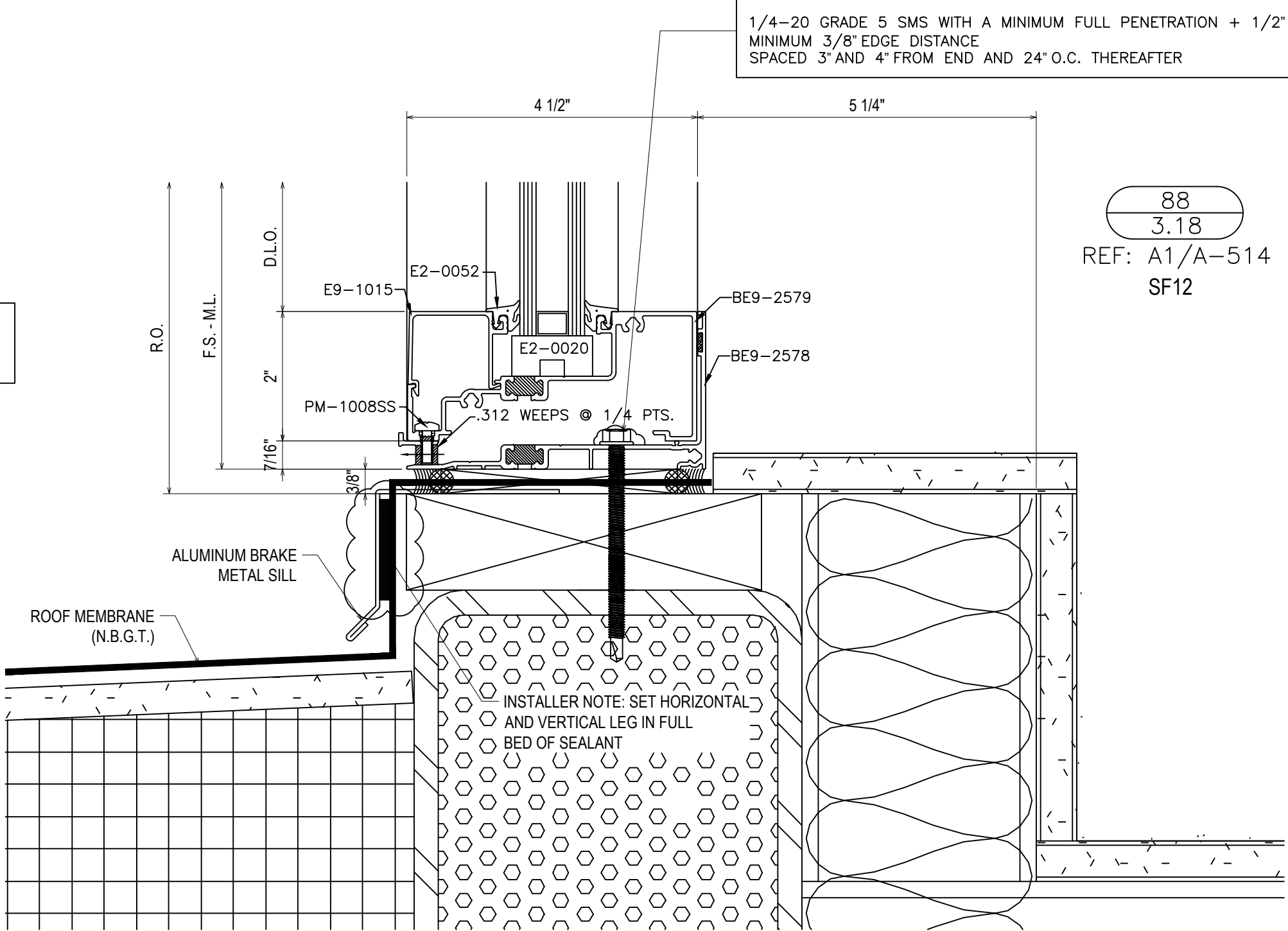


82
3.18
REF: N/A
TYPICAL HORIZONTAL



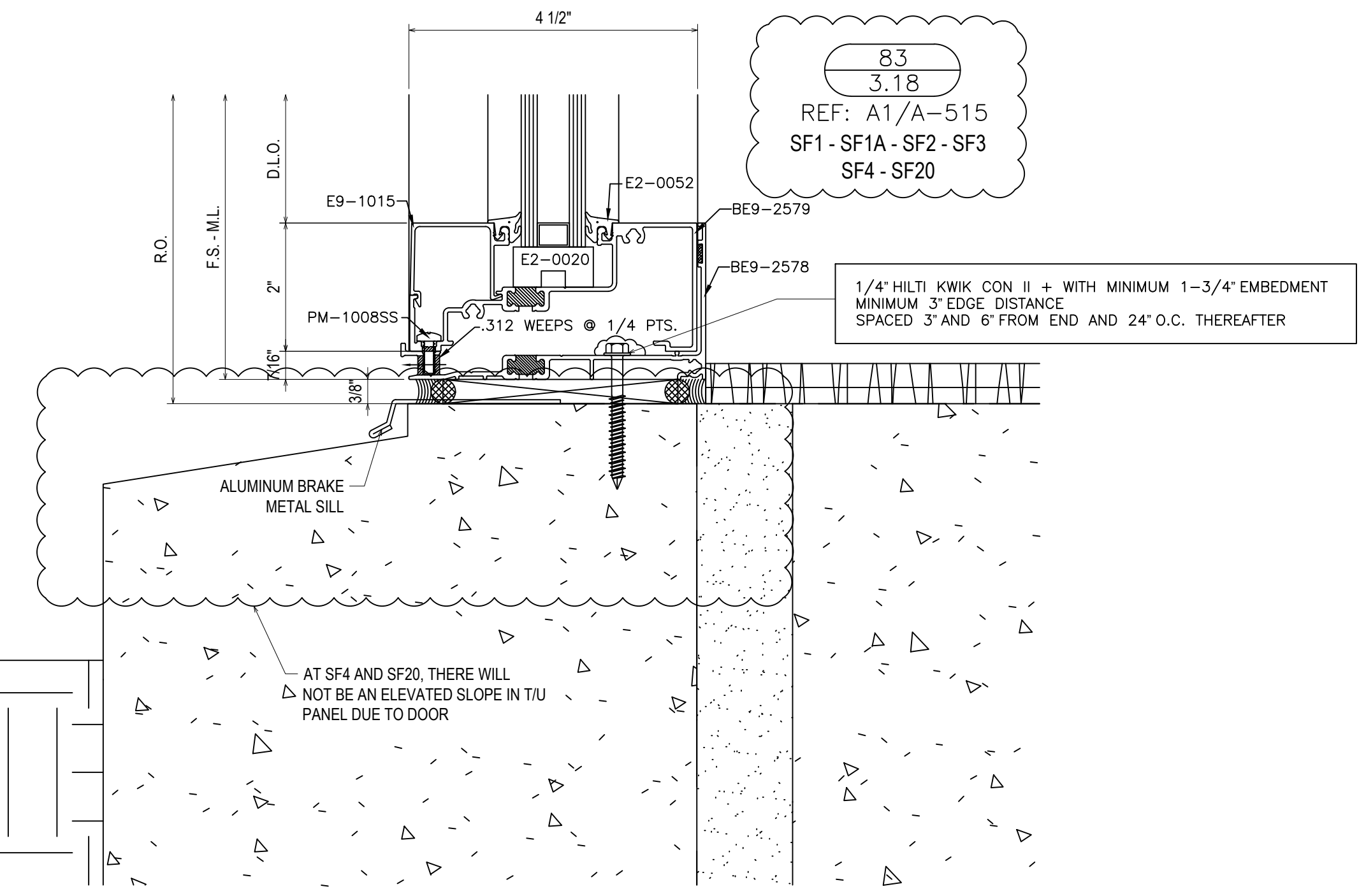
85
3.18
REF: B1/A-515
SF9 - SF10 - SF18

1/4" HILTI KWIK CON II + WITH MINIMUM 1-3/4" EMBEDMENT
MINIMUM 3" EDGE DISTANCE
SPACED 3" AND 6" FROM END AND 24" O.C. THEREAFTER



88
3.18
REF: A1/A-514
SF12

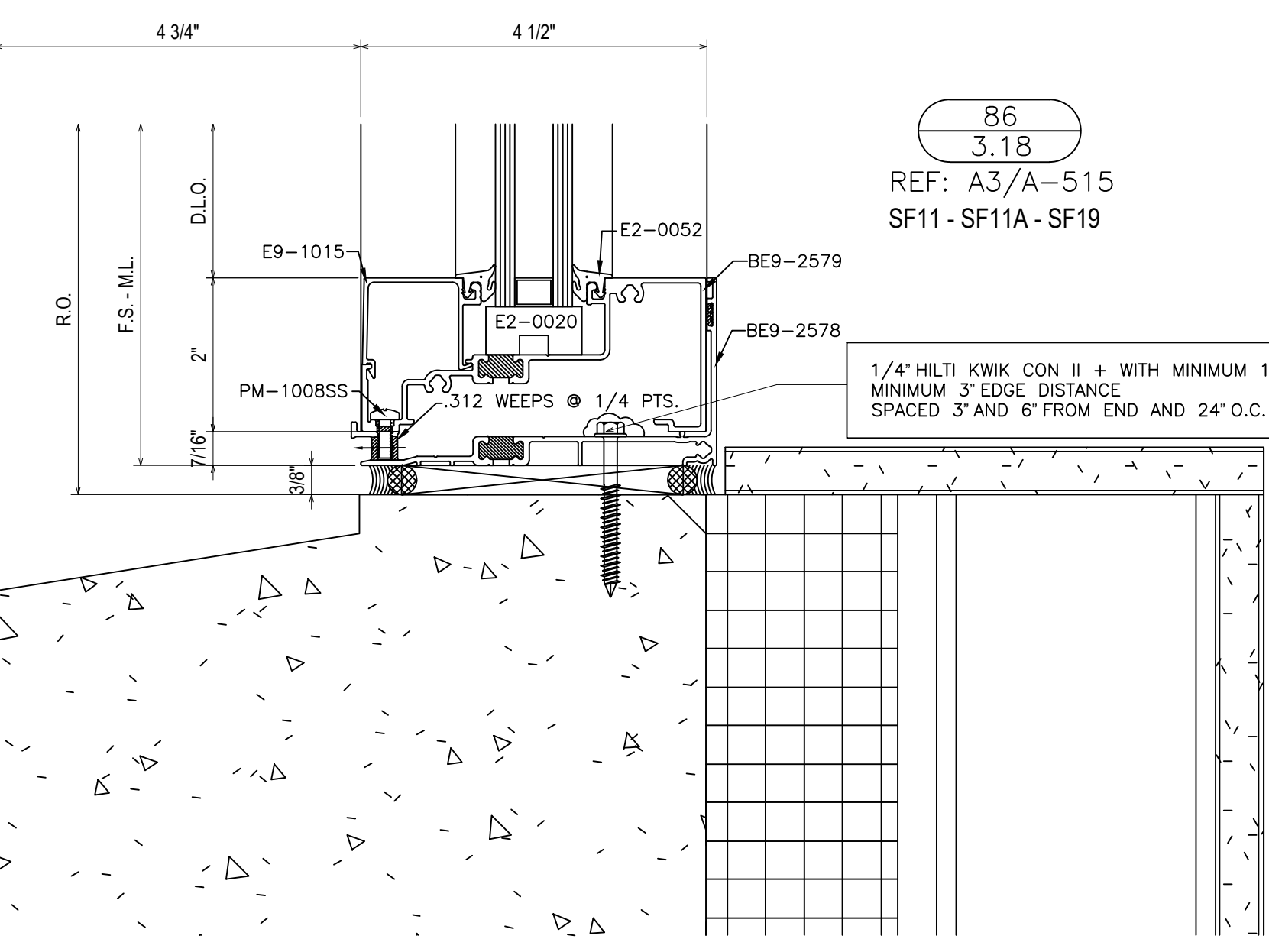
1/4"-20 GRADE 5 SMS WITH A MINIMUM FULL PENETRATION + 1/2"
MINIMUM 3/8" EDGE DISTANCE
SPACED 3" AND 4" FROM END AND 24" O.C. THEREAFTER



83
3.18
REF: A1/A-515
SF1 - SF1A - SF2 - SF3
SF4 - SF20

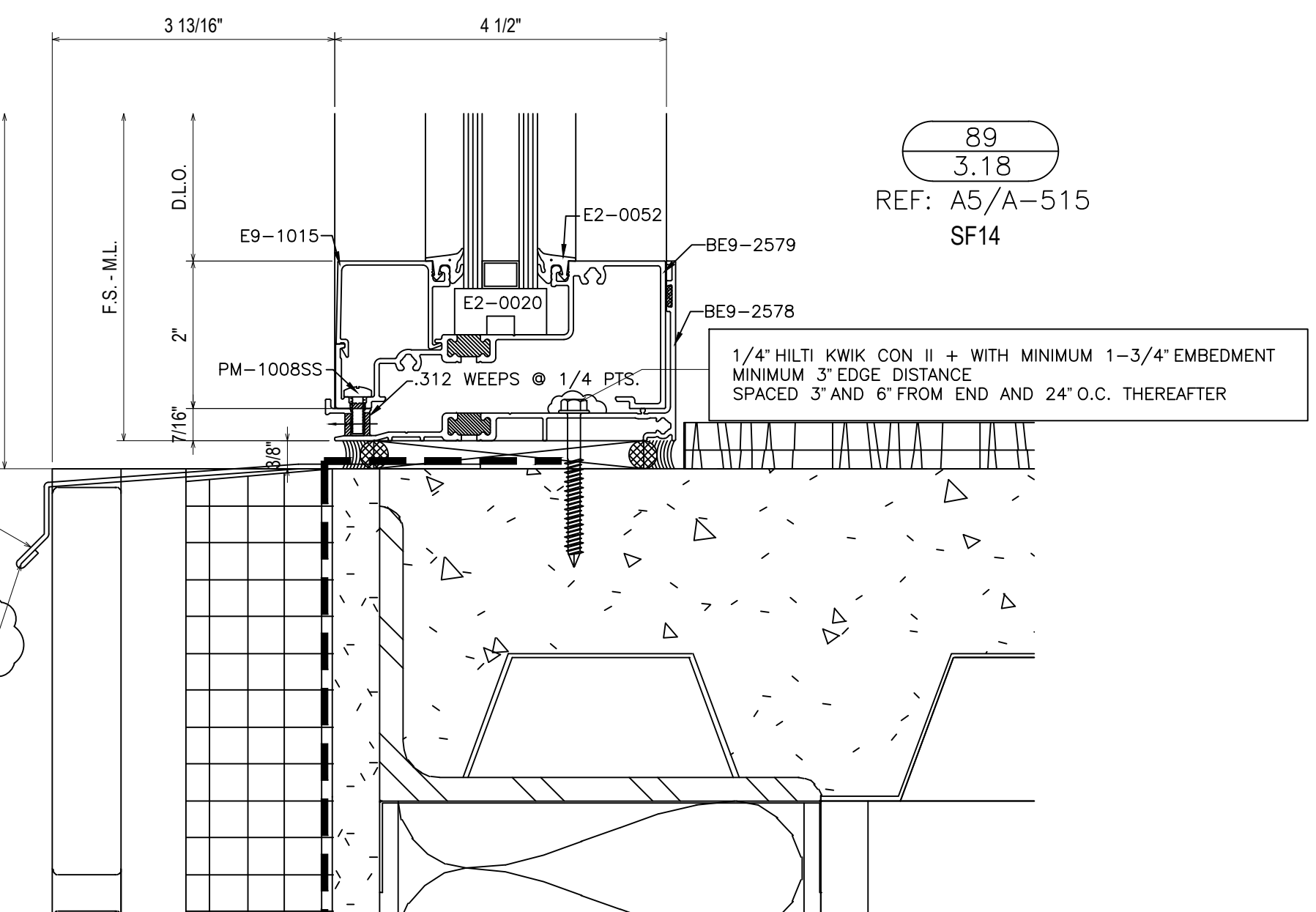
1/4" HILTI KWIK CON II + WITH MINIMUM 1-3/4" EMBEDMENT
MINIMUM 3" EDGE DISTANCE
SPACED 3" AND 6" FROM END AND 24" O.C. THEREAFTER

AT SF4 AND SF20, THERE WILL NOT BE AN ELEVATED SLOPE IN T/U PANEL DUE TO DOOR



86
3.18
REF: A3/A-515
SF11 - SF11A - SF19

1/4" HILTI KWIK CON II + WITH MINIMUM 1-3/4" EMBEDMENT
MINIMUM 3" EDGE DISTANCE
SPACED 3" AND 6" FROM END AND 24" O.C. THEREAFTER



89
3.18
REF: A5/A-515
SF14

1/4" HILTI KWIK CON II + WITH MINIMUM 1-3/4" EMBEDMENT
MINIMUM 3" EDGE DISTANCE
SPACED 3" AND 6" FROM END AND 24" O.C. THEREAFTER

ALUM BRK METAL SILL
INSTALLER NOTE: SILL FLASHING REQUIRED TO HAVE END DAMS

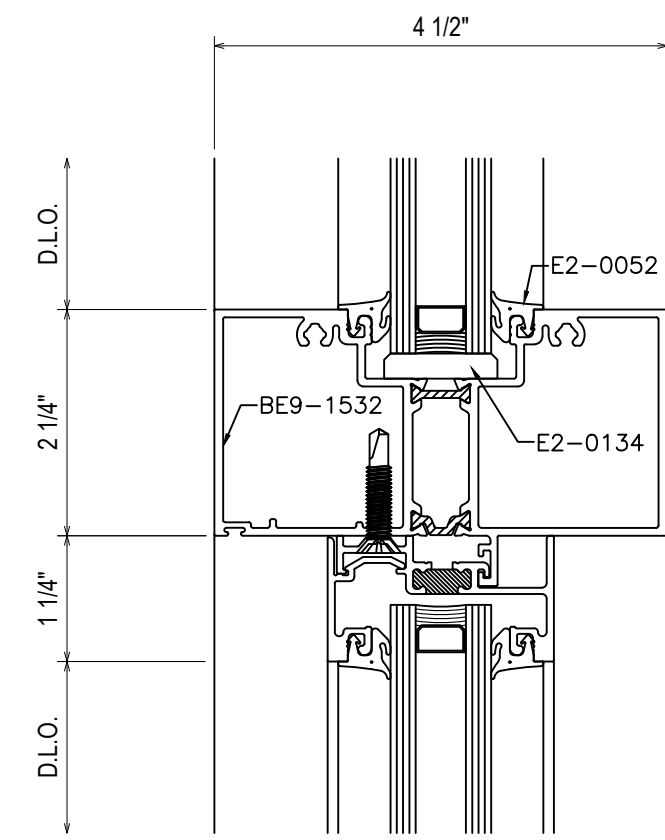
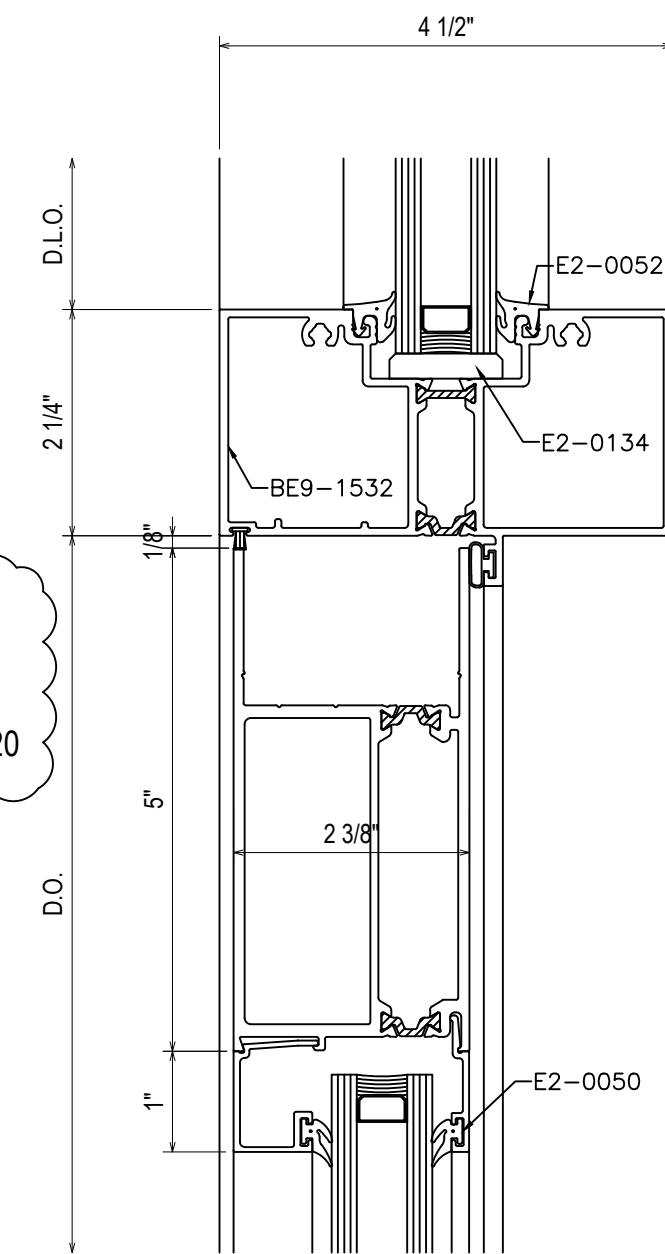
1ST SUBMISSION	4.22.21
1ST REVISION	7.14.21
2ND REVISION (ENGINEERING)	7.20.21
NO	NO
DESCRIPTION	DATE
DRAWING SUBMISSION	

GLASSTech COMMERCIAL GLAZING SERVICES, INC.
850 WEST STAR STREET
GREENVILLE, NC 27834
P: 252.355.9195

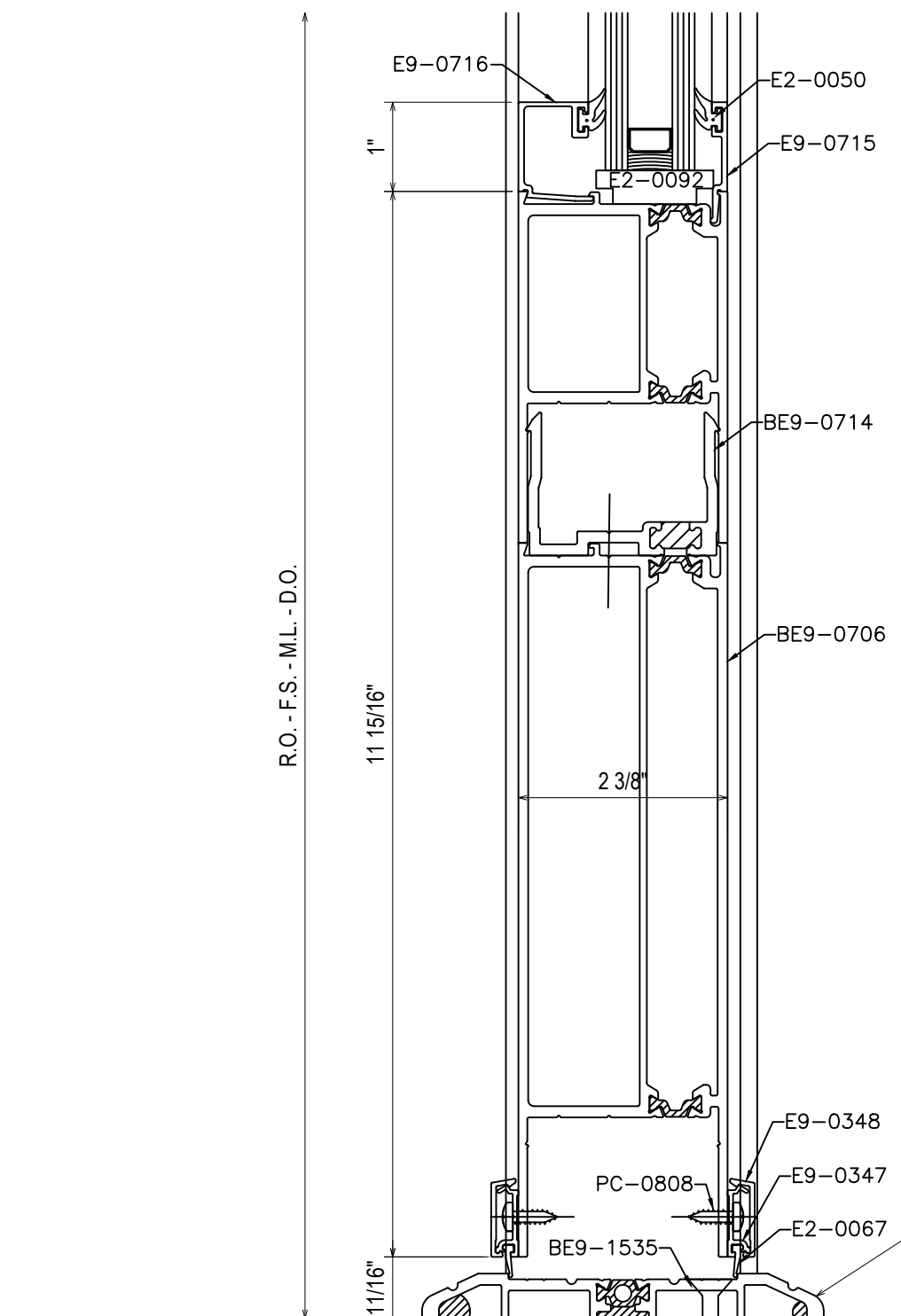
PROJECT: NEW HANOVER COUNTY GOVERNMENT CENTER
LOCATION: 230 GOVERNMENT CENTER DRIVE WILMINGTON, NC 28403
ARCHITECT: LS3P ASSOCIATES LTD.
CUSTOMER: GLASS TECH COMMERCIAL GLAZING SERVICES

DRAWN BY:	DATE:
DJ	4.22.21
CHECKED BY:	DATE:
WH	4.22.21

90
3.19
REF: N/A
SF2 - SF3 - SF4 - SF20



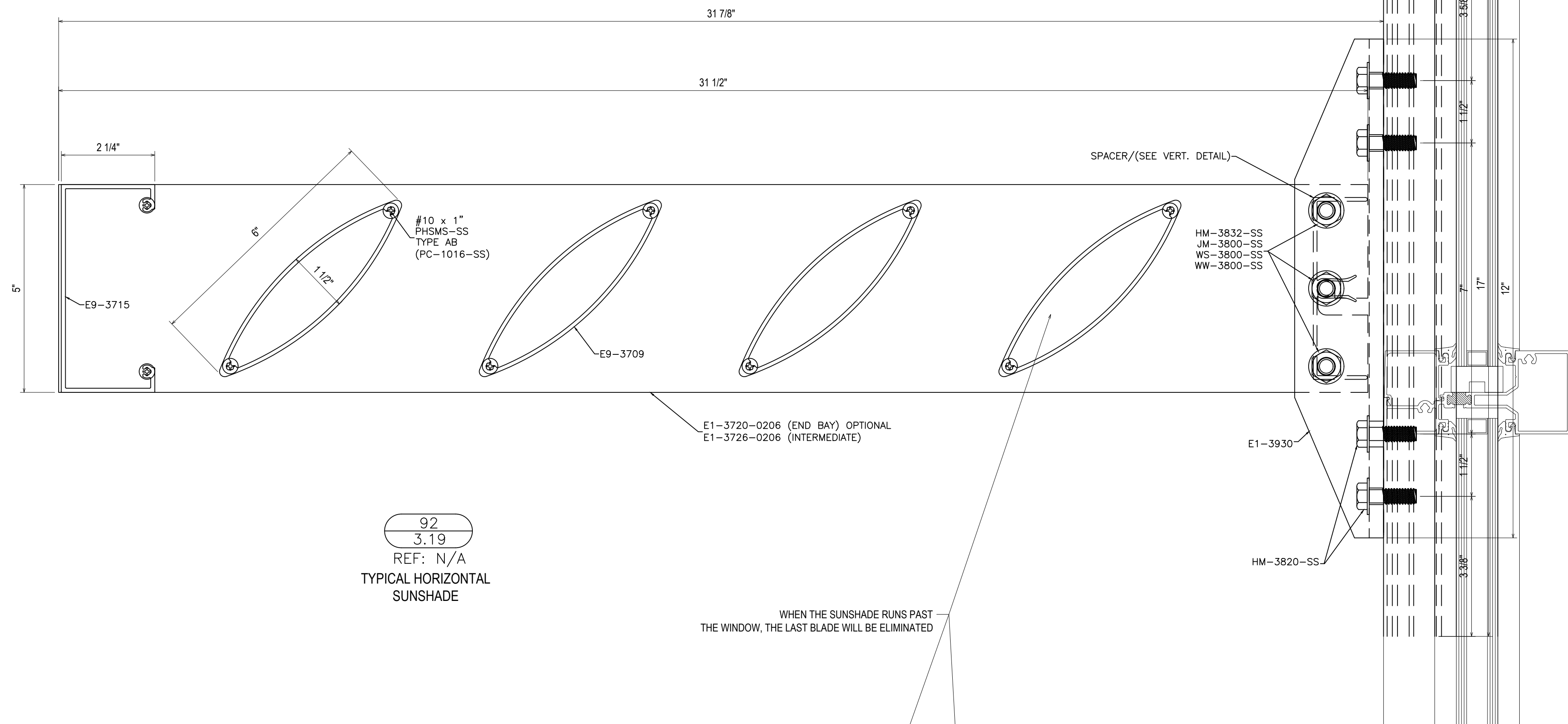
90A
3.19
REF: N/A
SF3 - SF4



91
3.19
REF: A1/A-515
SF2 - SF3 - SF4 - SF20

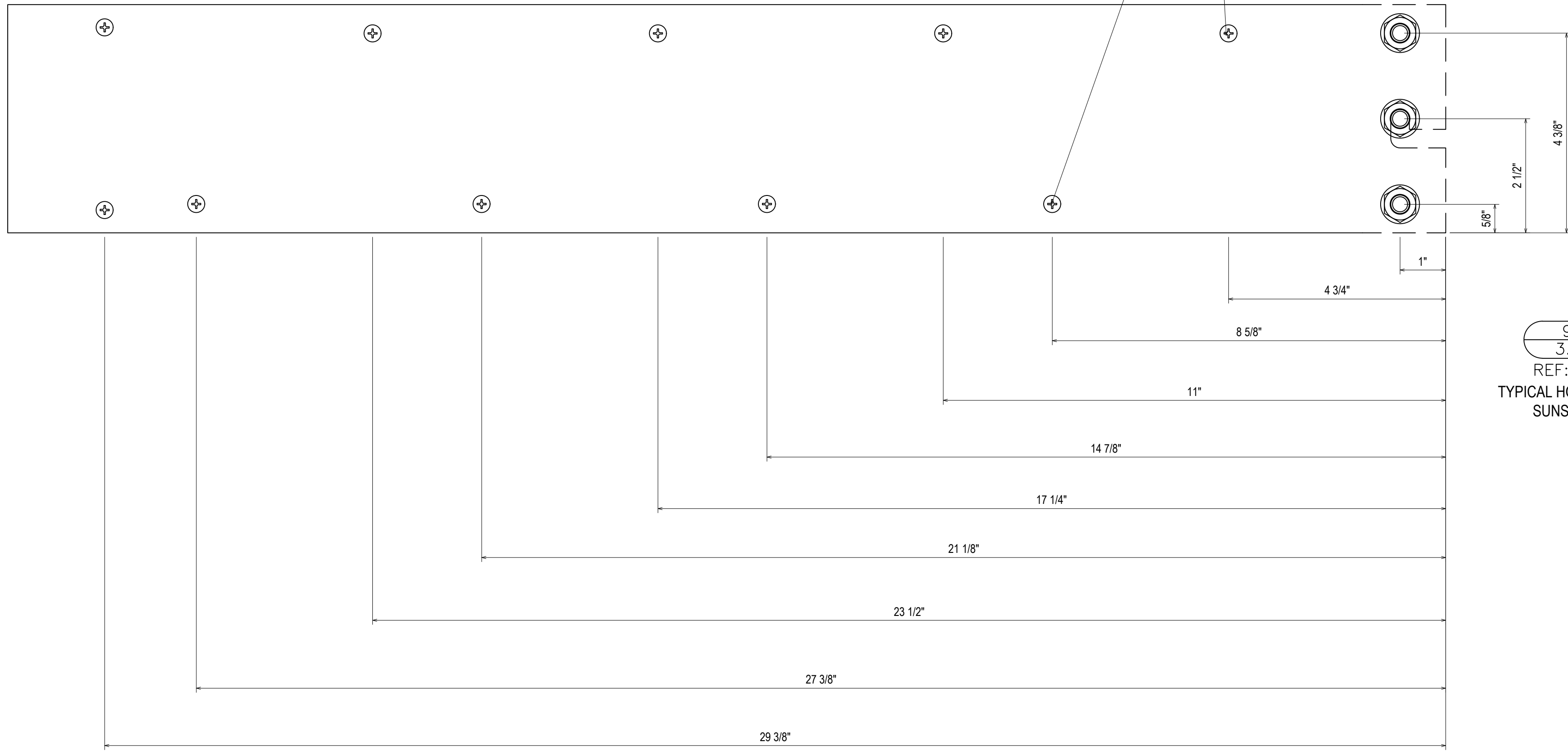
SET IN A BED OF SEALANT

1/4" COUNTERSUNK HILTI KWIK CON II + WITH
MINIMUM 1-3/4" EMBEDMENT
MINIMUM 3" EDGE DISTANCE
SPACED 3" FROM END AND 18" O.C. THEREAFTER



92
3.19
REF: N/A
TYPICAL HORIZONTAL SUNSHADE

WHEN THE SUNSHADE RUNS PAST THE WINDOW, THE LAST BLADE WILL BE ELIMINATED



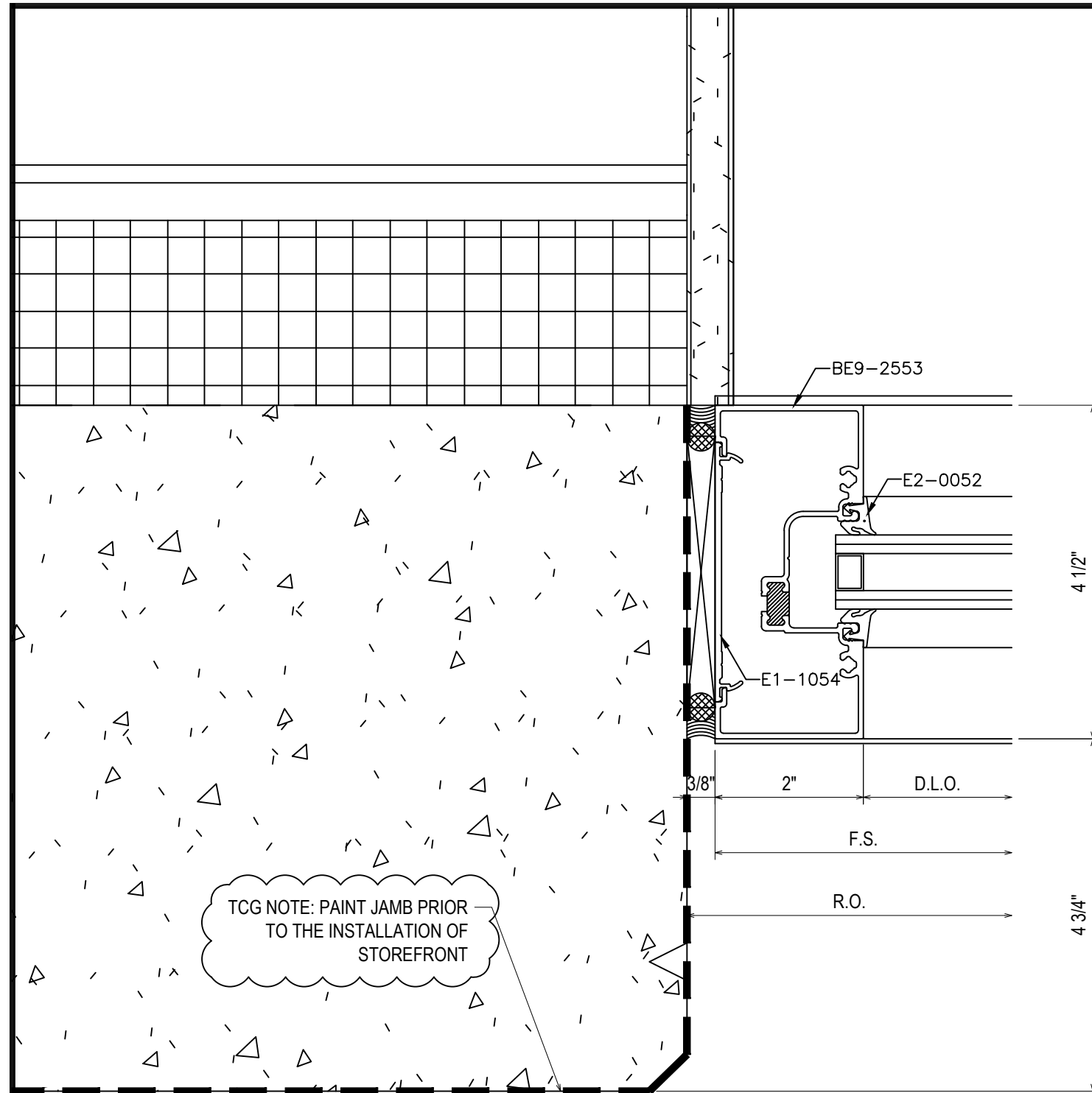
93
3.19
REF: N/A
TYPICAL HORIZONTAL SUNSHADE

1ST SUBMISSION	4.22.21
1ST REVISION	7.14.21
2ND REVISION (ENGINEERING)	7.20.21
NO	DESCRIPTION
NO	DATE

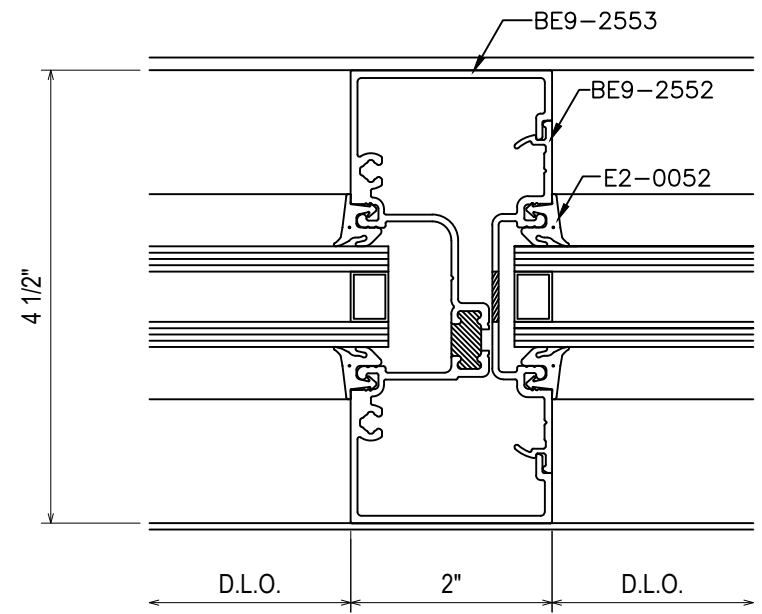
GLASS TECH COMMERCIAL GLAZING SERVICES, INC.
850 WEST STAR STREET
GREENVILLE, NC 27834
P: 252.355.9195

PROJECT: NEW HANOVER COUNTY GOVERNMENT CENTER
LOCATION: 230 GOVERNMENT CENTER DRIVE WILMINGTON, NC 28403
ARCHITECT: LS3P ASSOCIATES LTD.
CUSTOMER: GLASS TECH COMMERCIAL GLAZING SERVICES

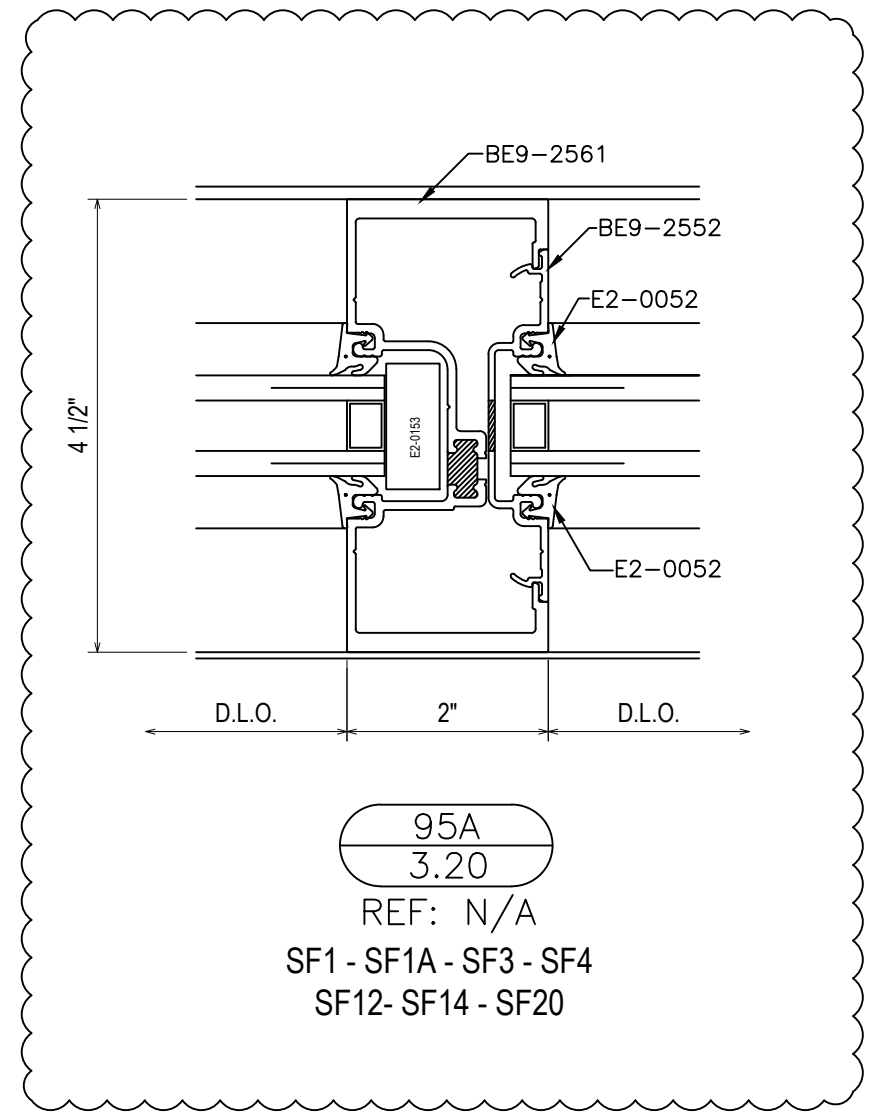
DRAWN BY:	DATE:
DJ	4.22.21
CHECKED BY:	DATE:
WH	4.22.21



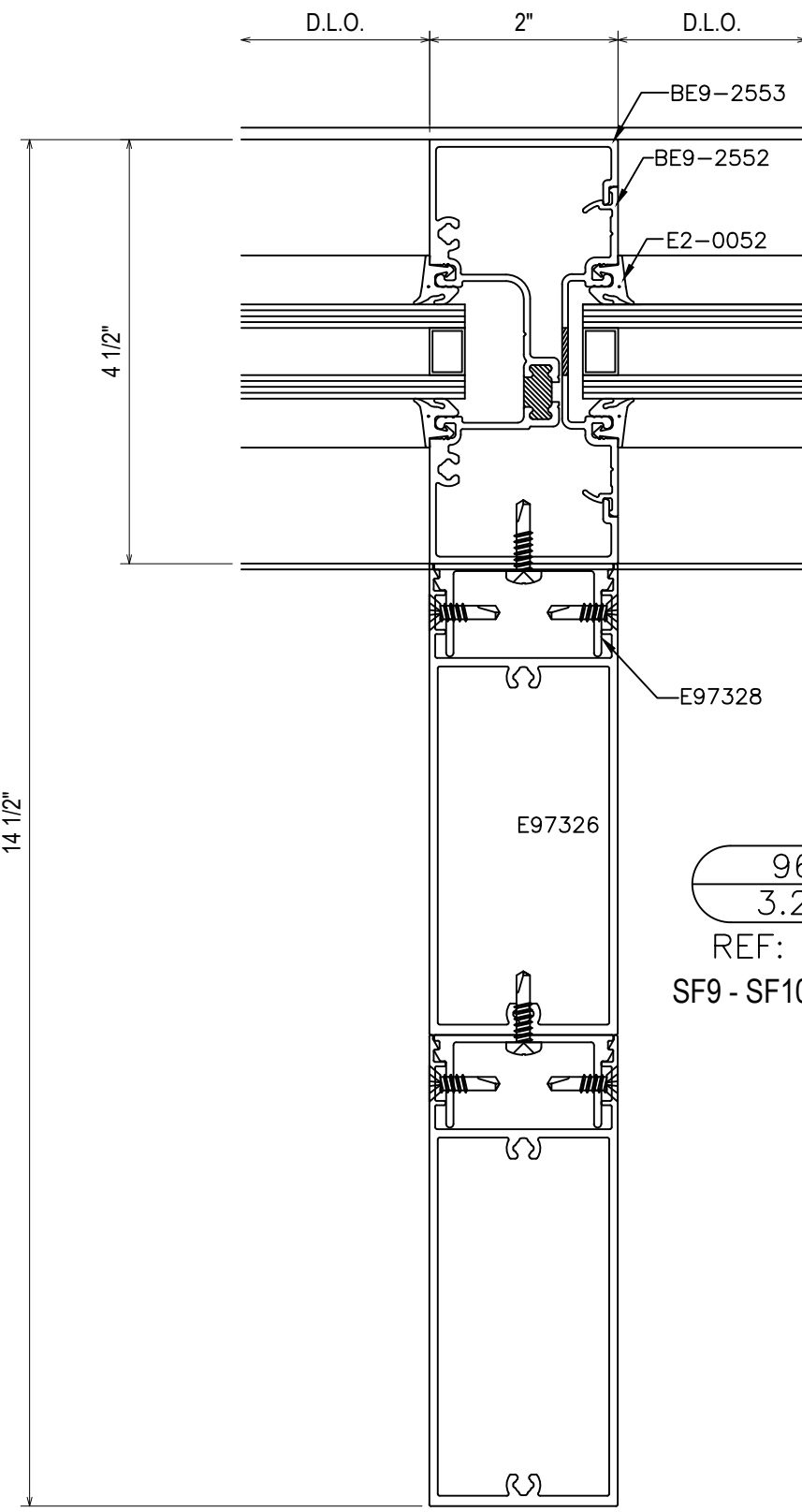
94
3.20
REF: B3/A-515 SIM.
SF1 - SF2 - SF4 - SF9 - SF10
SF11 - SF11A - SF18 - SF19 - SF20



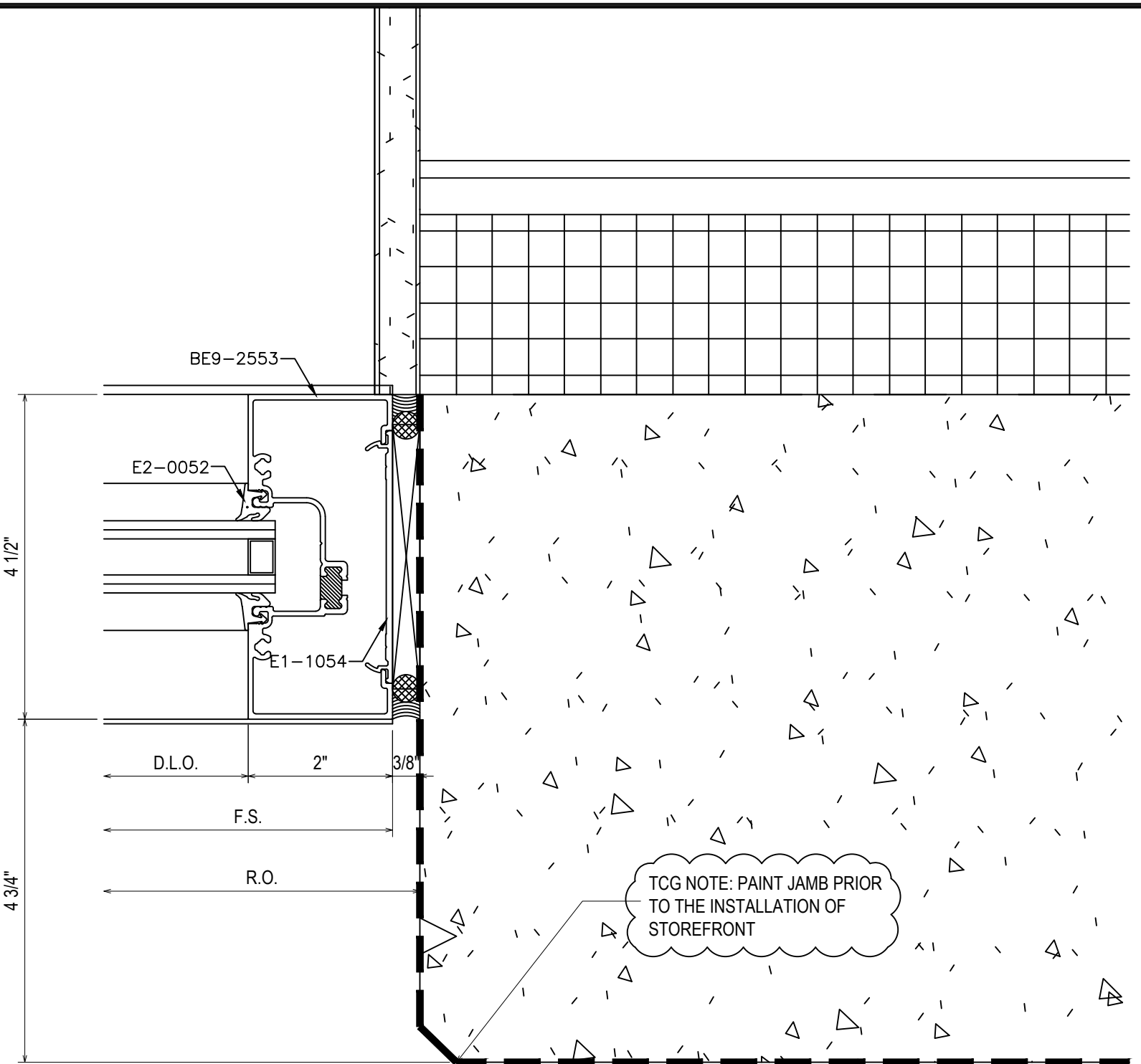
95
3.20
REF: N/A
TYPICAL VERTICAL



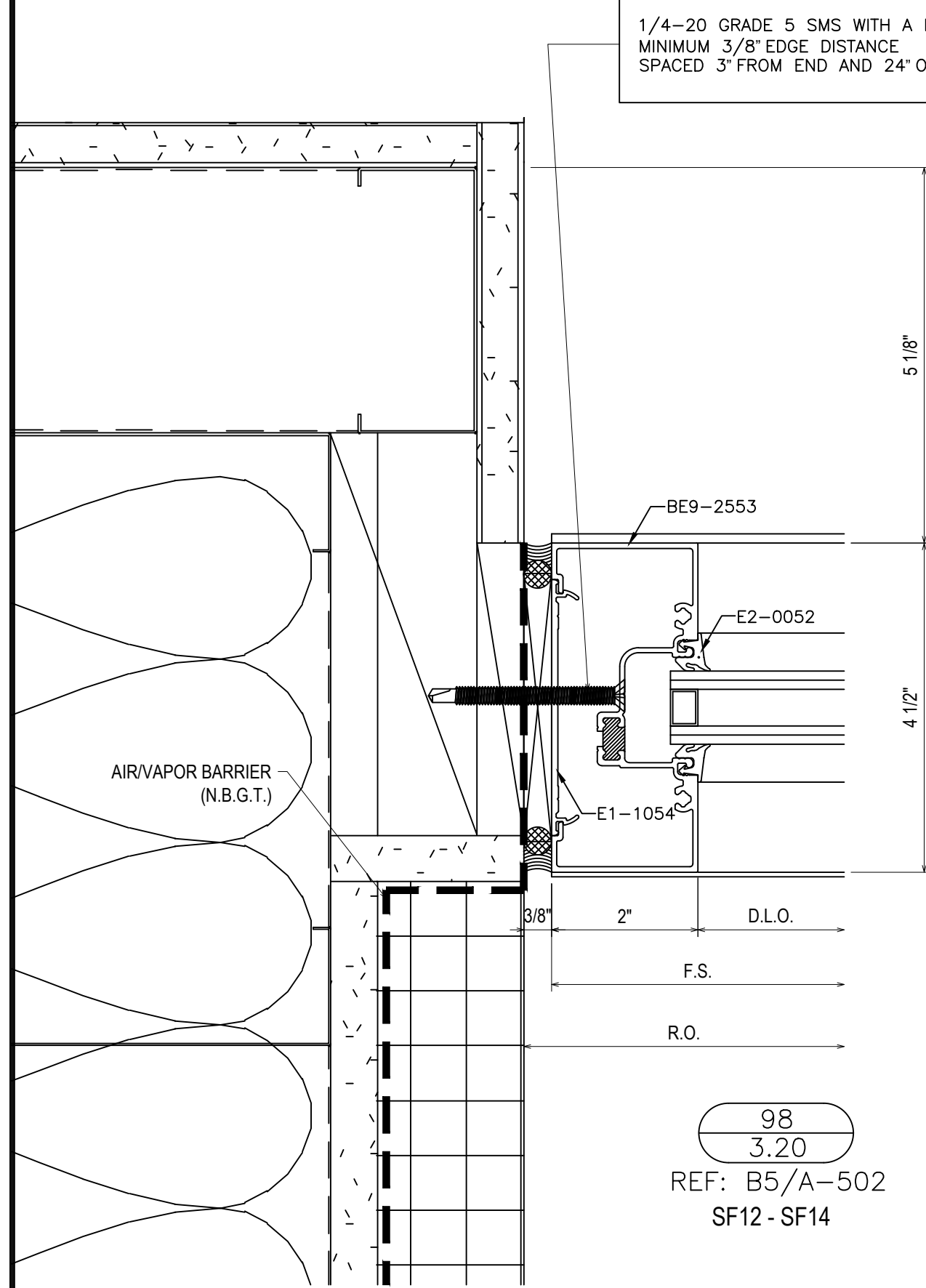
95A
3.20
REF: N/A
SF1 - SF1A - SF3 - SF4
SF12 - SF14 - SF20



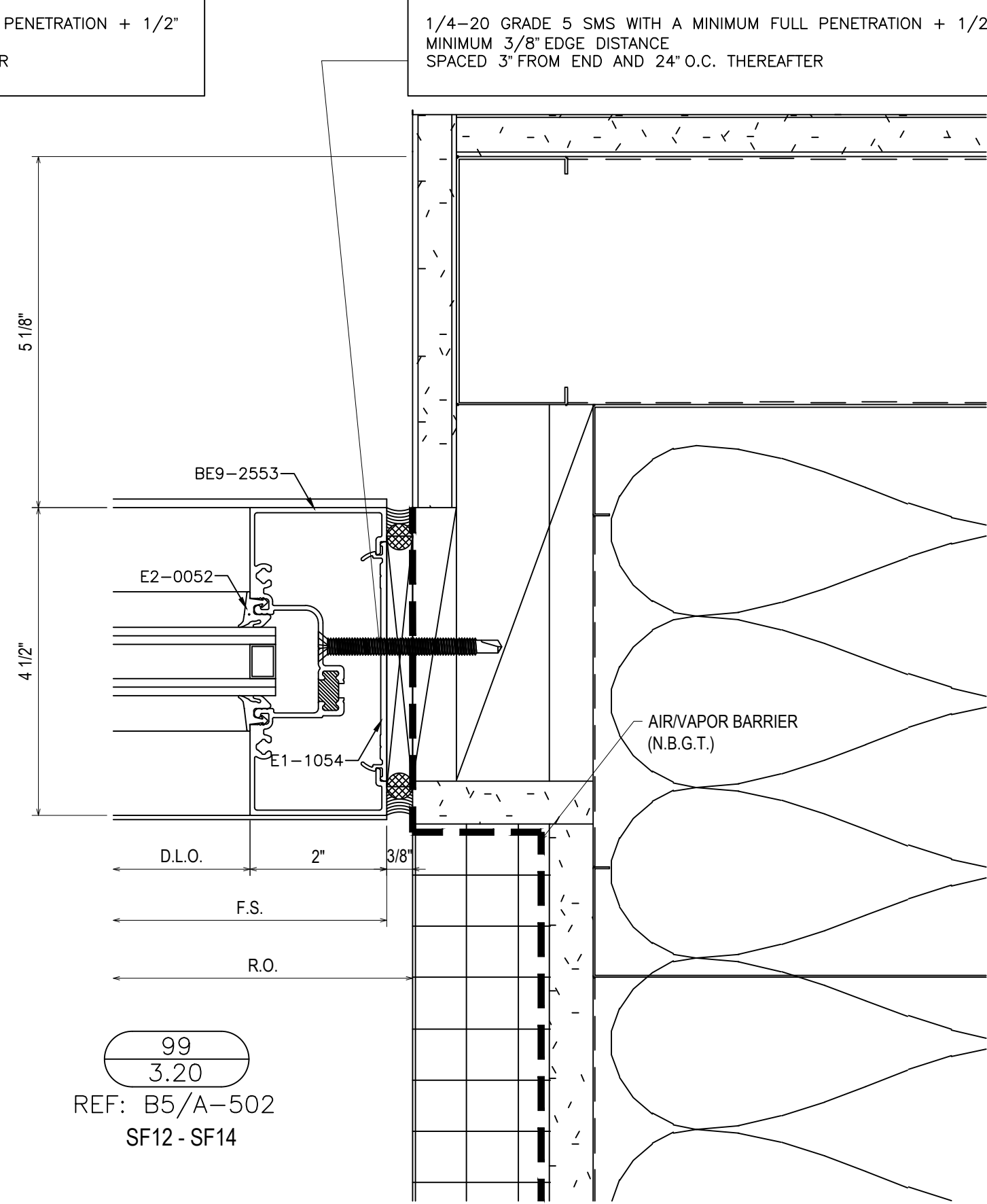
96
3.20
REF: N/A
SF9 - SF10 - SF18



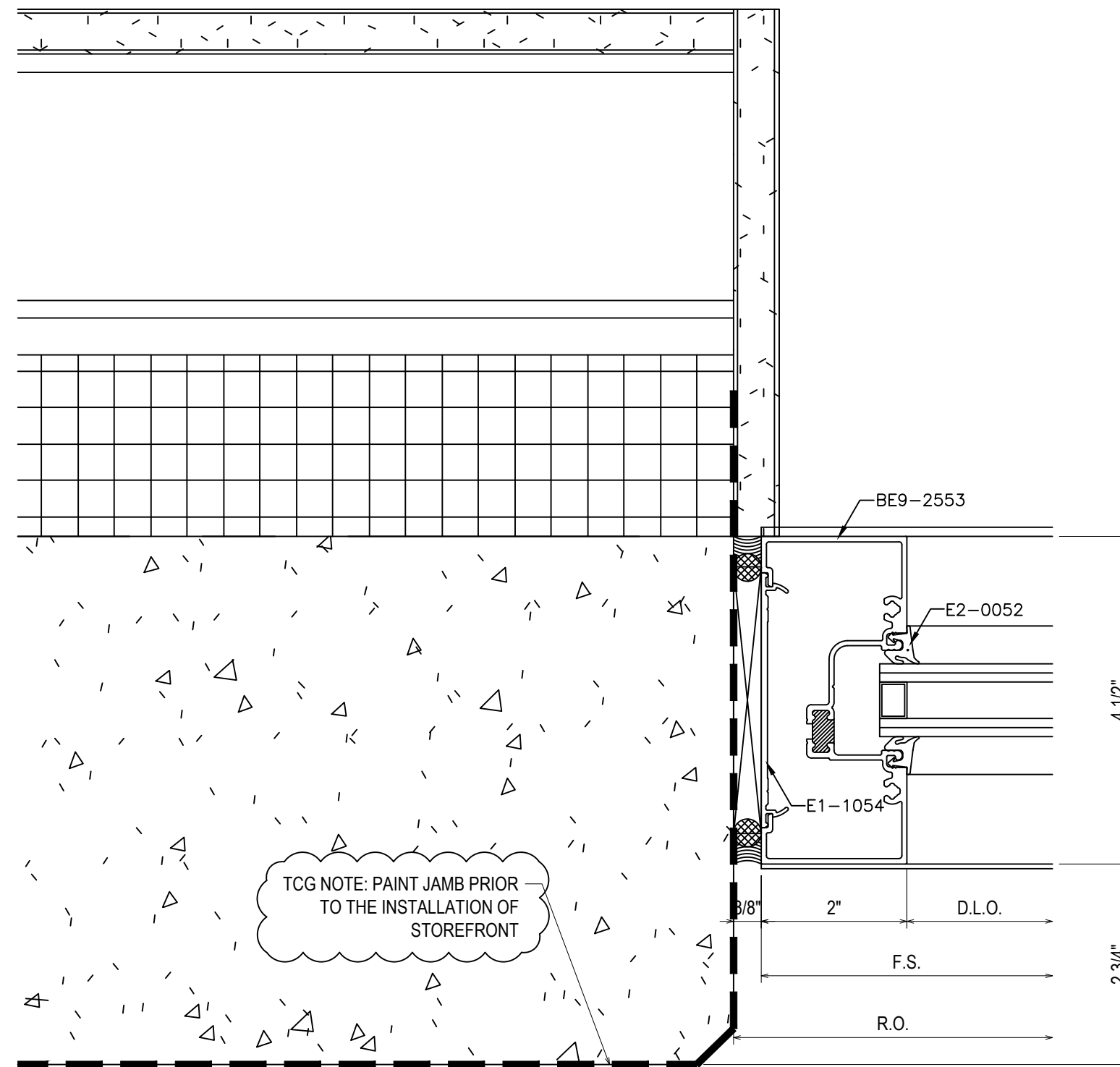
97
3.20
REF: B3/A-515 SIM.
SF1 - SF9 - SF10 - SF11
SF11A - SF19



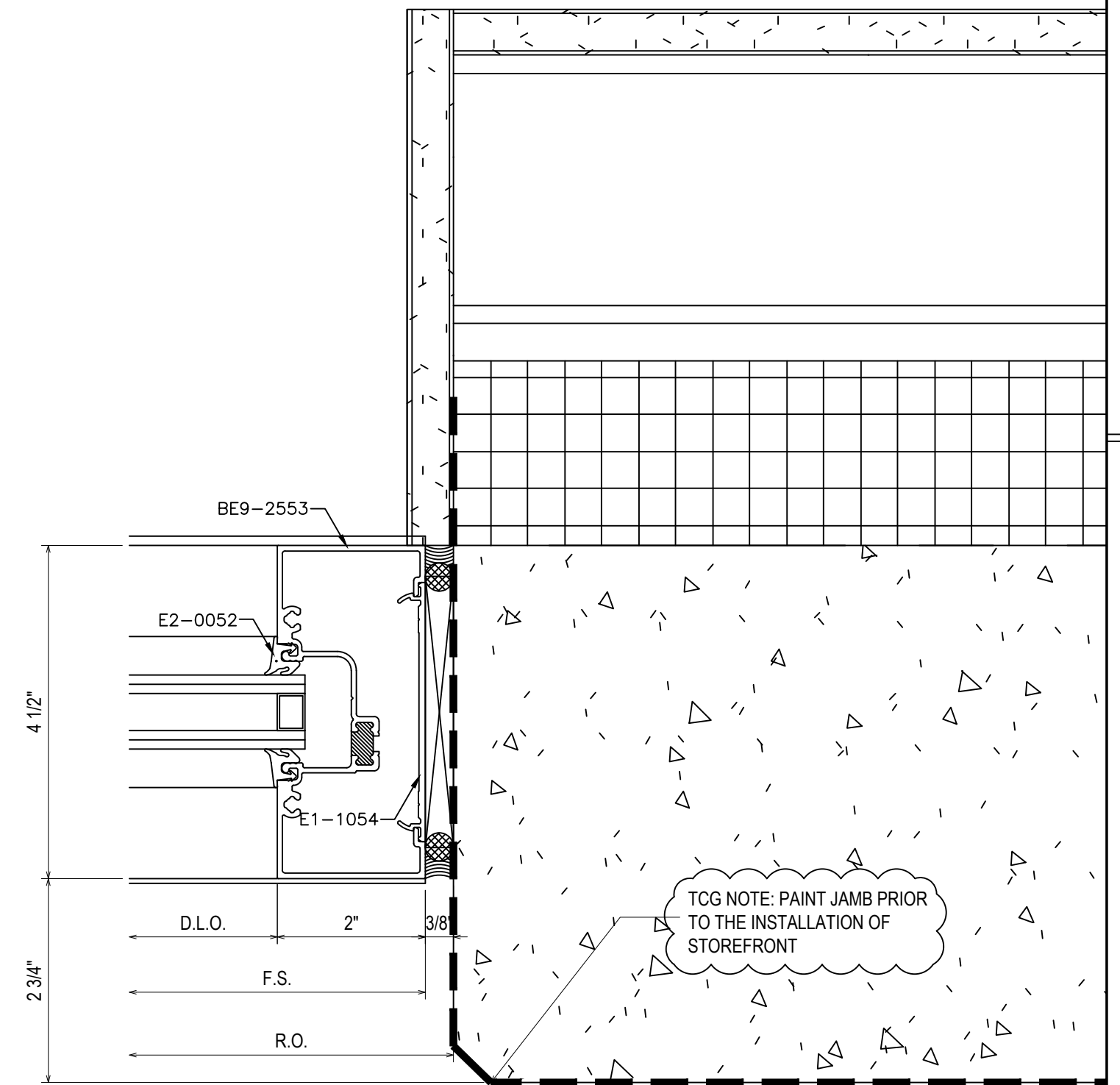
98
3.20
REF: B5/A-502
SF12 - SF14



99
3.20
REF: B5/A-502
SF12 - SF14



100
3.20
REF: D2/A-551 SIM.
SF1A



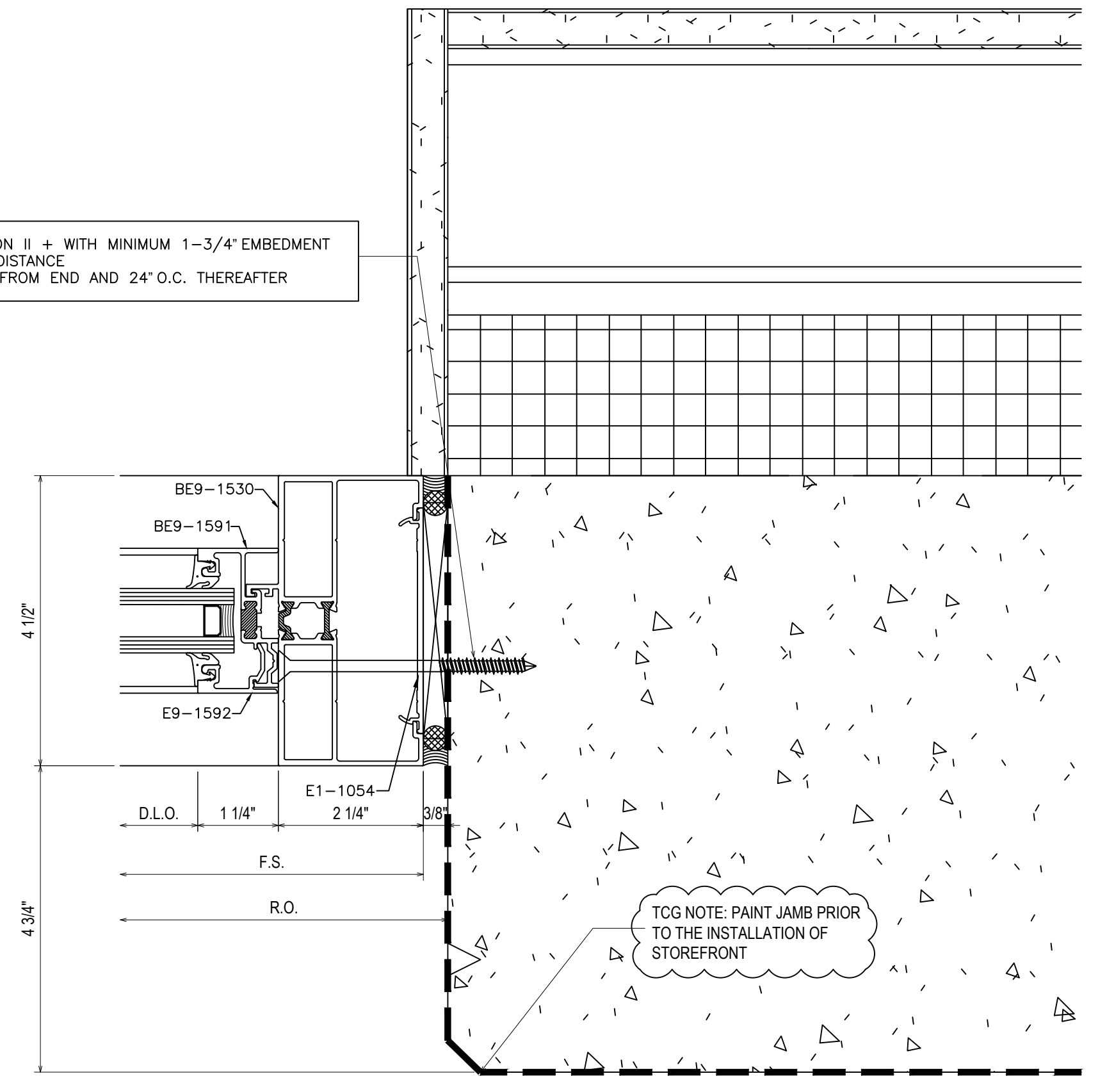
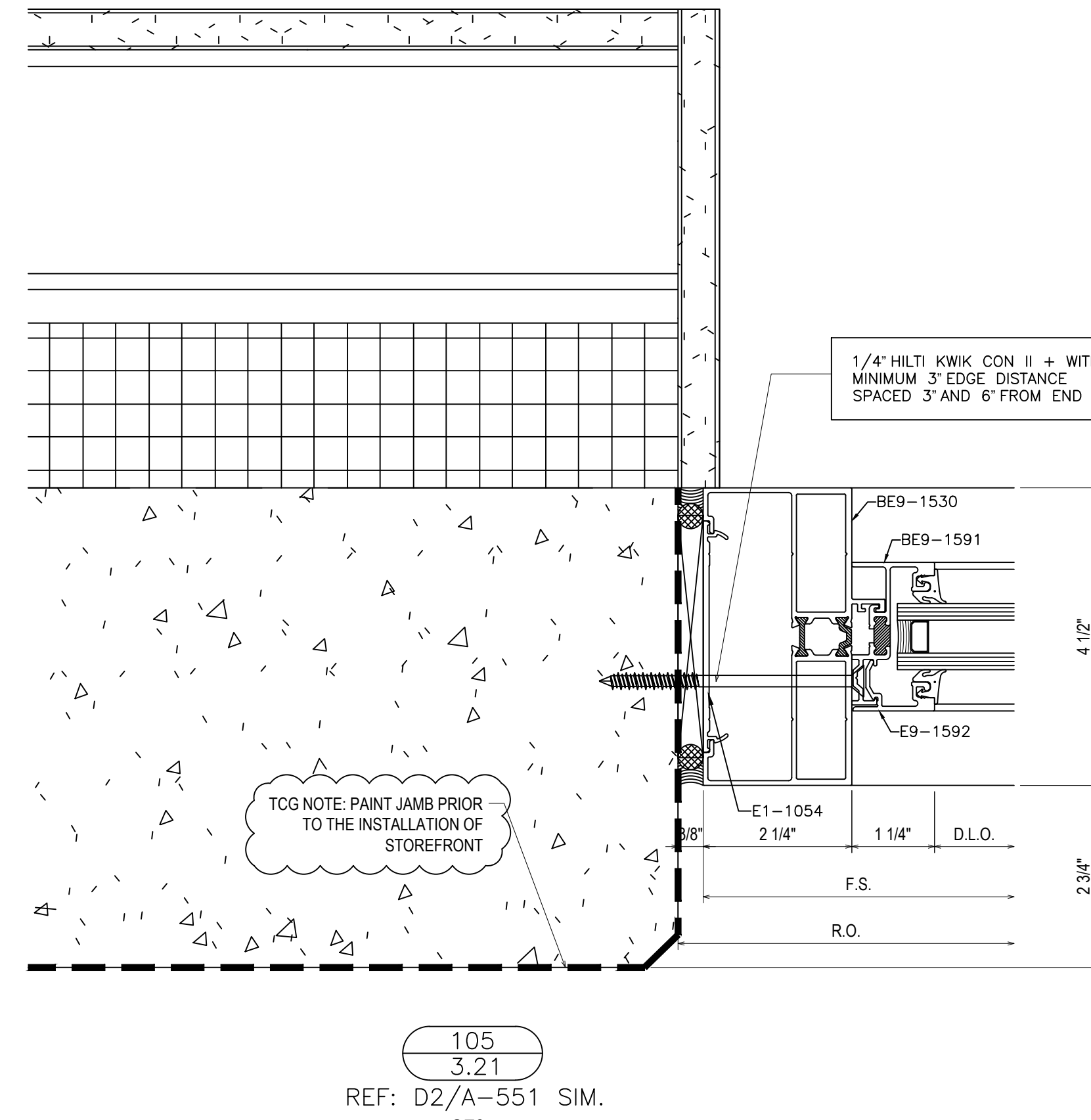
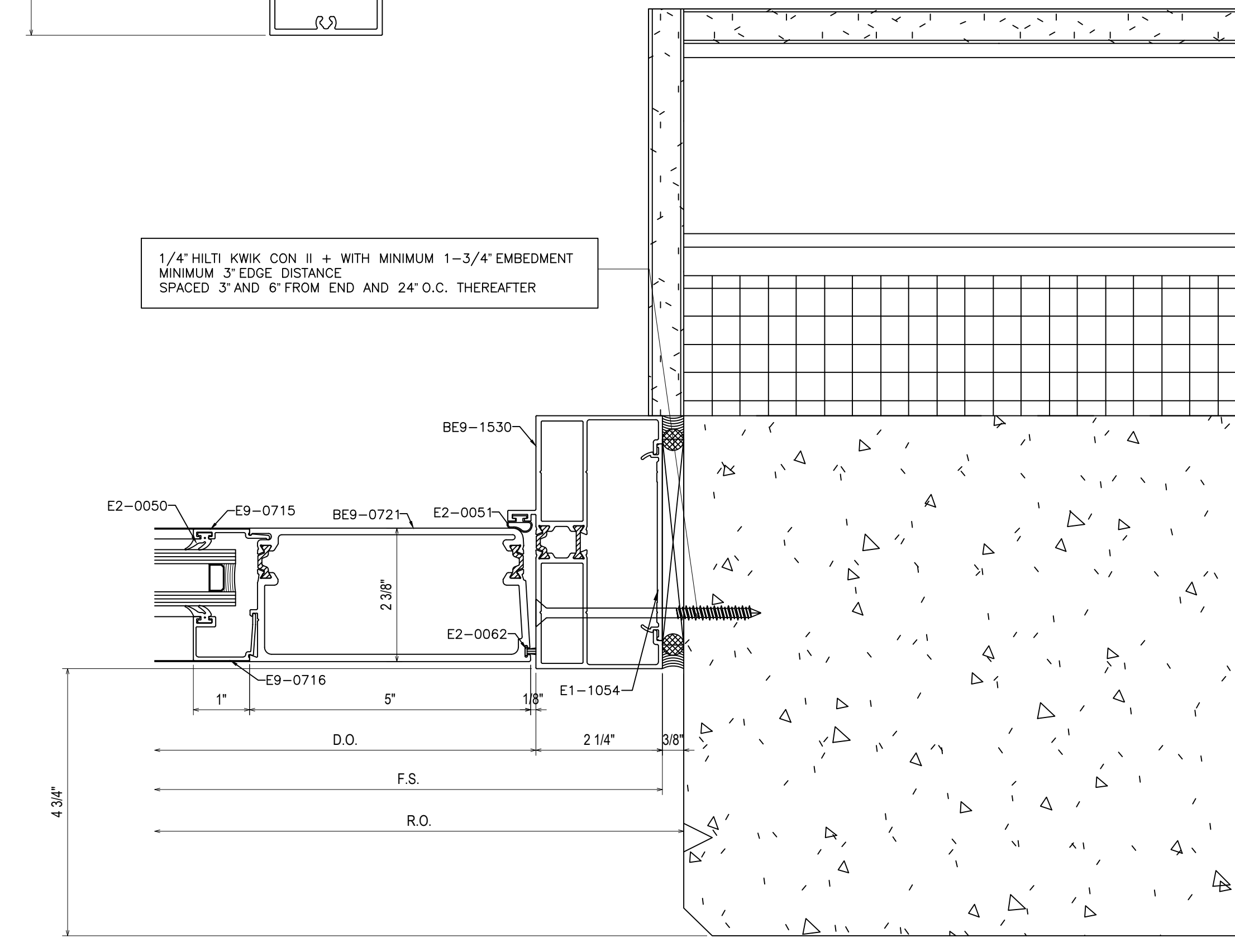
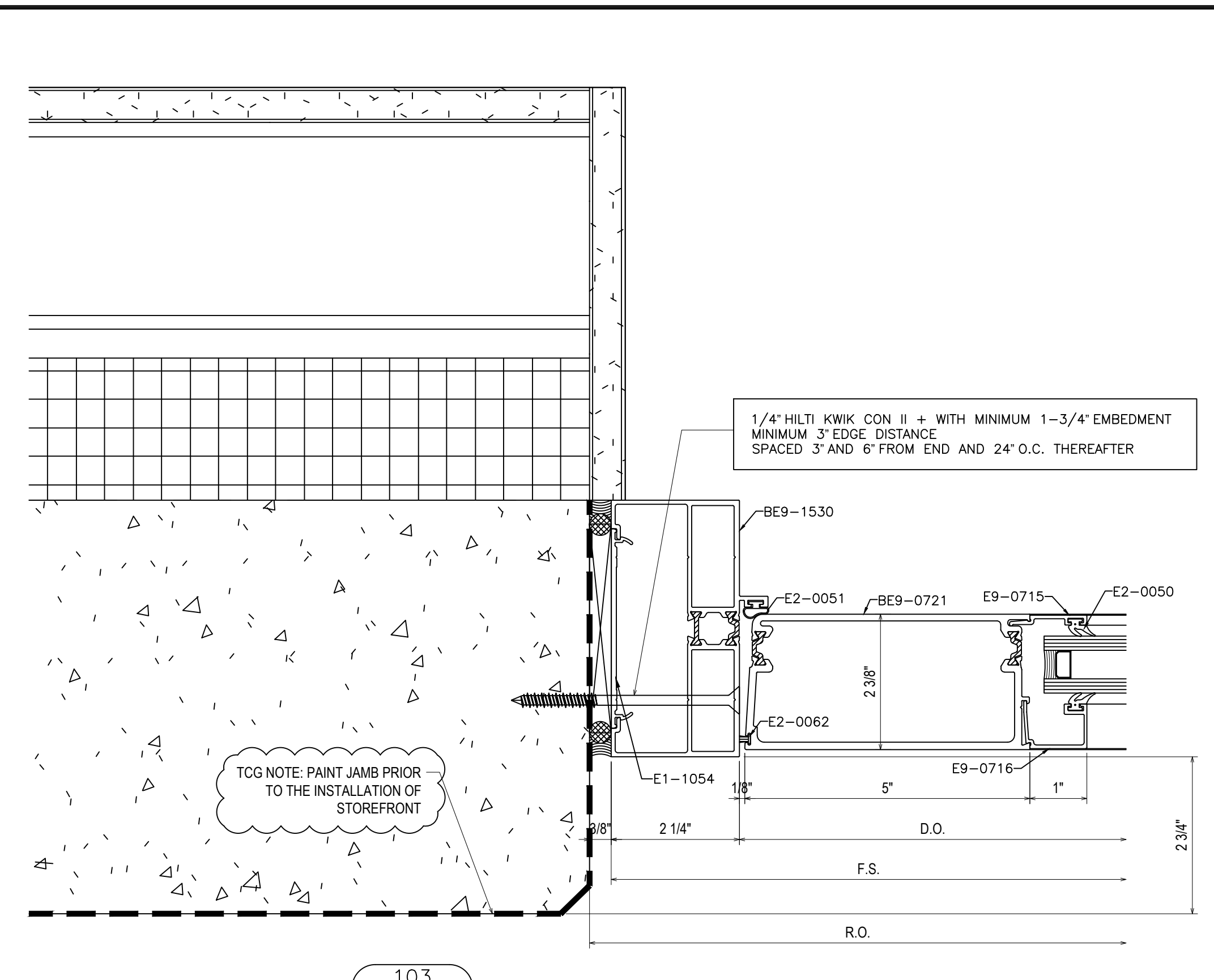
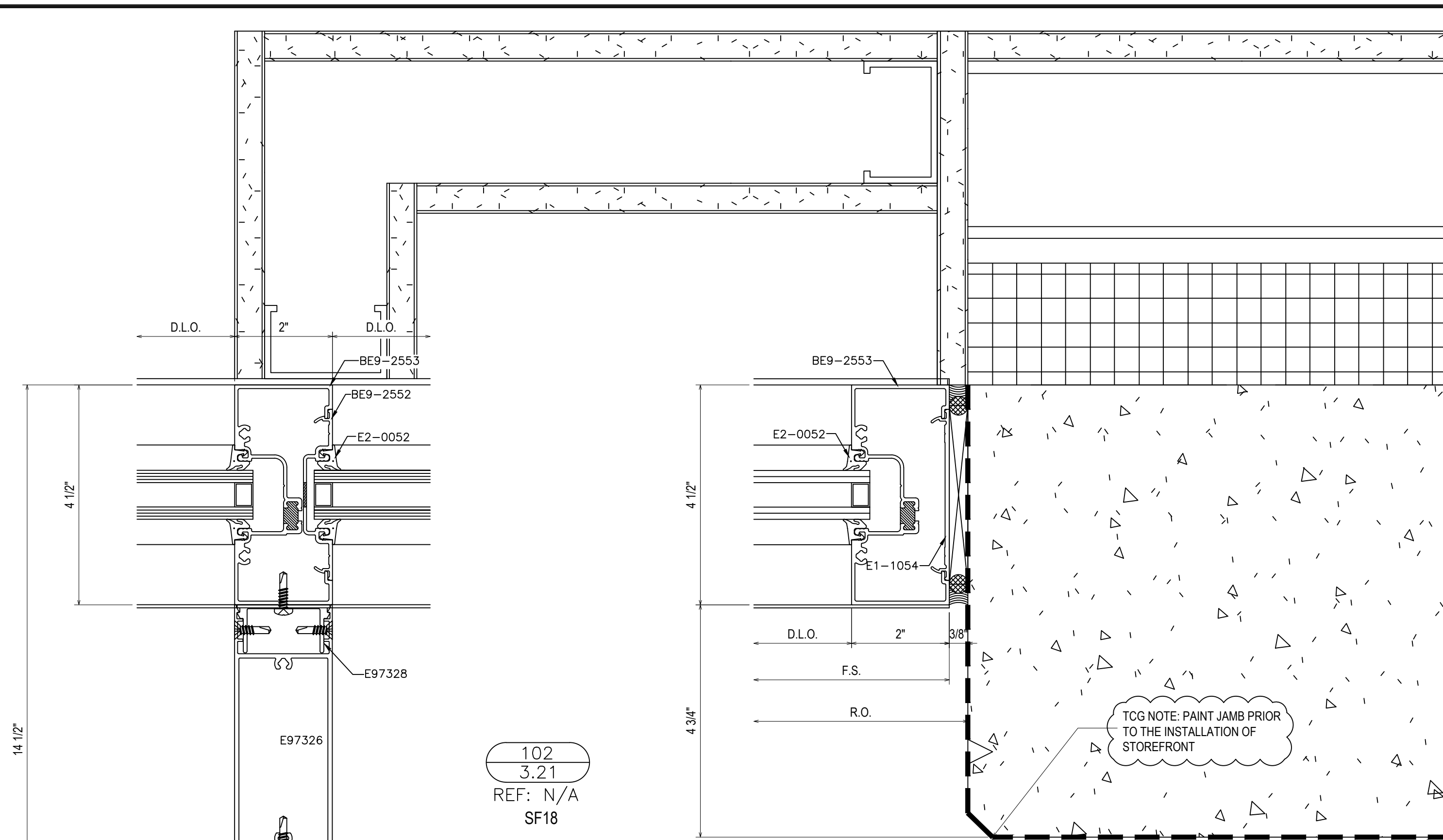
101
3.20
REF: D2/A-551 SIM.
SF1A - SF3

1ST SUBMISSION	4.22.21
1ST REVISION	7.14.21
2ND REVISION (ENGINEERING)	7.20.21
NO	NO
DESCRIPTION	DATE
DRAWING SUBMISSION	

GLASS TECH COMMERCIAL GLAZING SERVICES, INC.
850 WEST STAR STREET
GREENVILLE, NC 27834
P: 252.355.9195

PROJECT: NEW HANOVER COUNTY GOVERNMENT CENTER
LOCATION: 230 GOVERNMENT CENTER DRIVE WILMINGTON, NC 28403
ARCHITECT: LS3P ASSOCIATES LTD.
CUSTOMER: GLASS TECH COMMERCIAL GLAZING SERVICES

DRAWN BY:	DATE:
DJ	4.22.21
CHECKED BY:	DATE:
WH	4.22.21

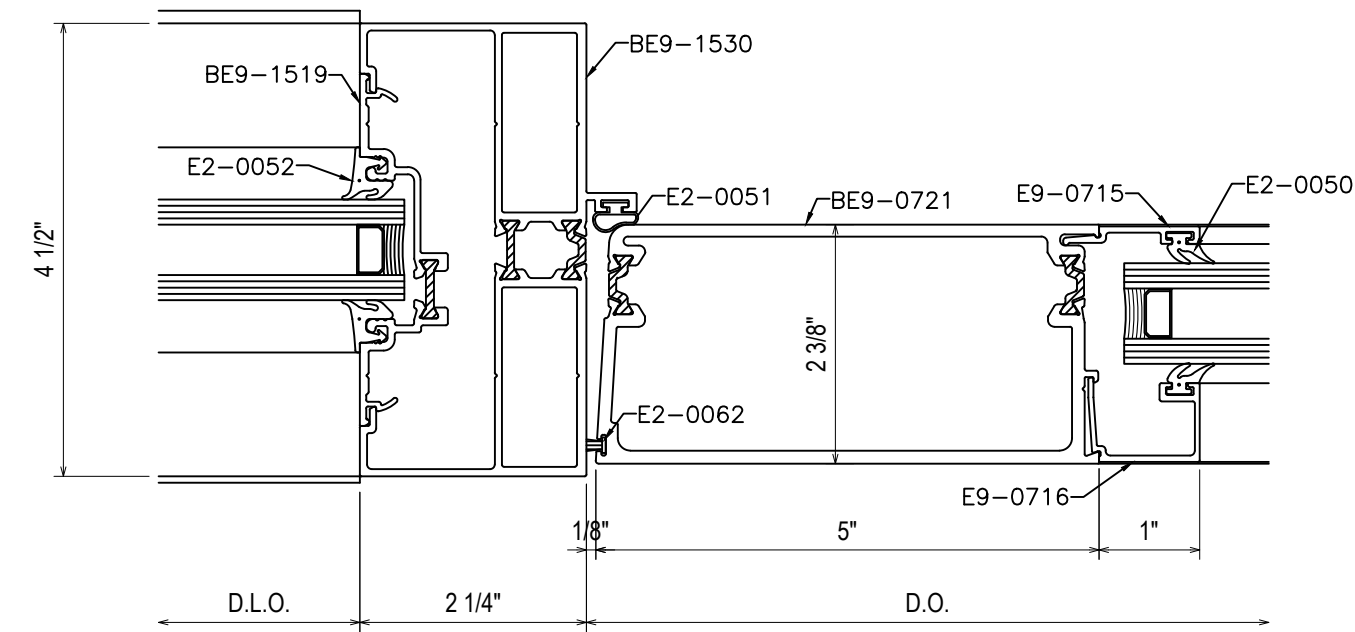


1ST SUBMISSION	4.22.21
1ST REVISION	7.14.21
2ND REVISION (ENGINEERING)	7.20.21
NO	NO
DESCRIPTION	DATE
DRAWING SUBMISSION	

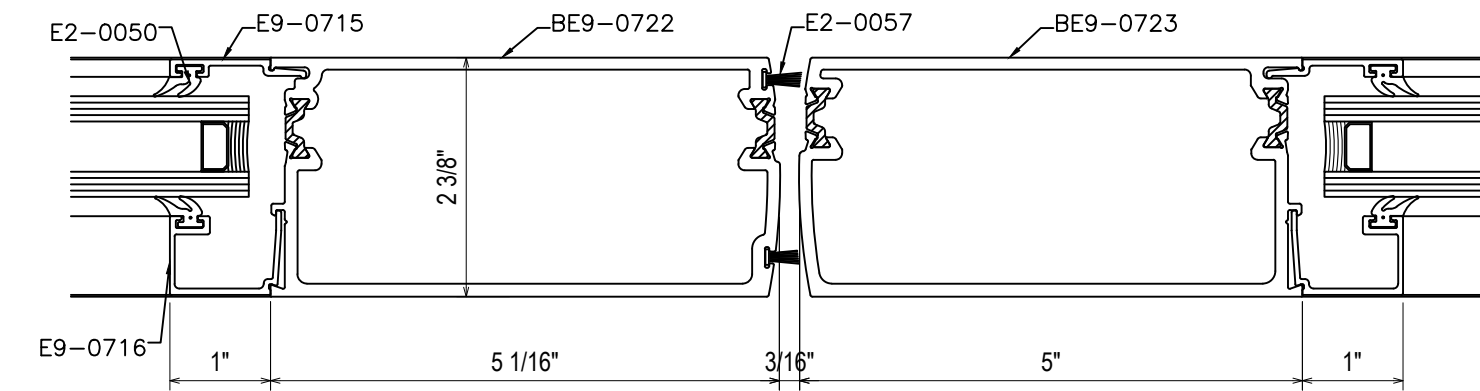
GLASS TECH COMMERCIAL GLAZING SERVICES, INC.
 850 WEST STAR STREET
 GREENVILLE, NC 27834
 P: 252.355.9195

PROJECT: NEW HANOVER COUNTY
 GOVERNMENT CENTER
 LOCATION: 230 GOVERNMENT CENTER DRIVE
 WILMINGTON, NC 28403
 ARCHITECT: LS3P ASSOCIATES LTD.
 CUSTOMER: GLASS TECH COMMERCIAL GLAZING SERVICES

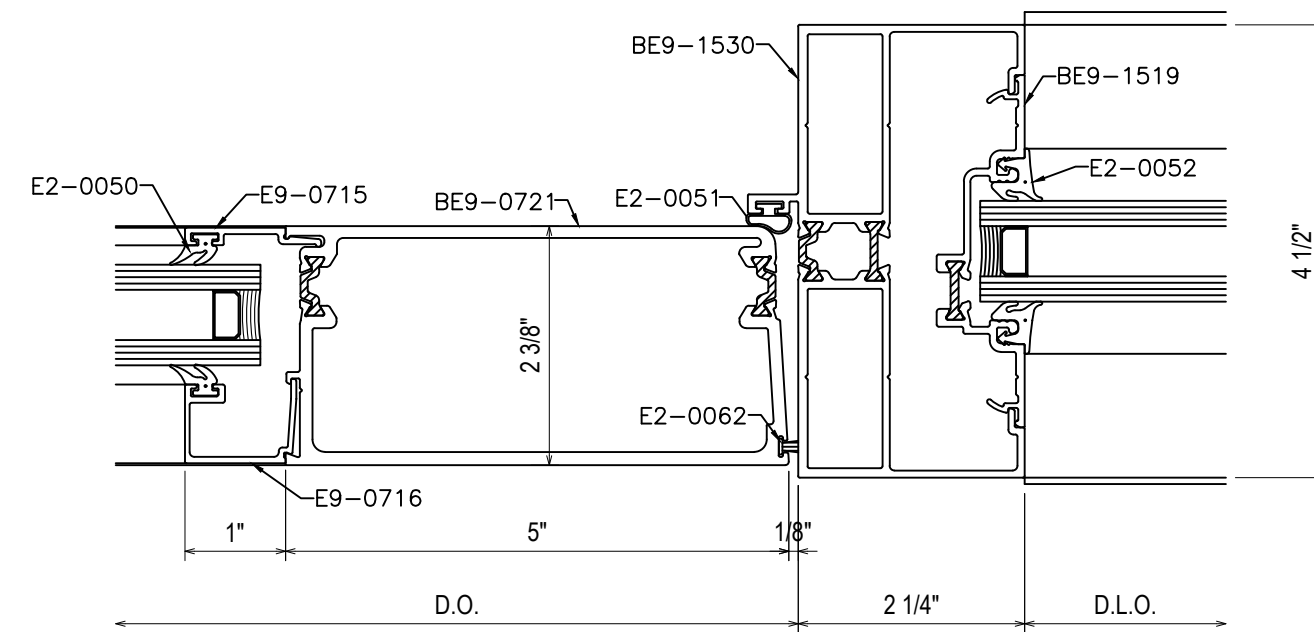
DRAWN BY:	DATE:
DJ	4.22.21
CHECKED BY:	DATE:
WH	4.22.21



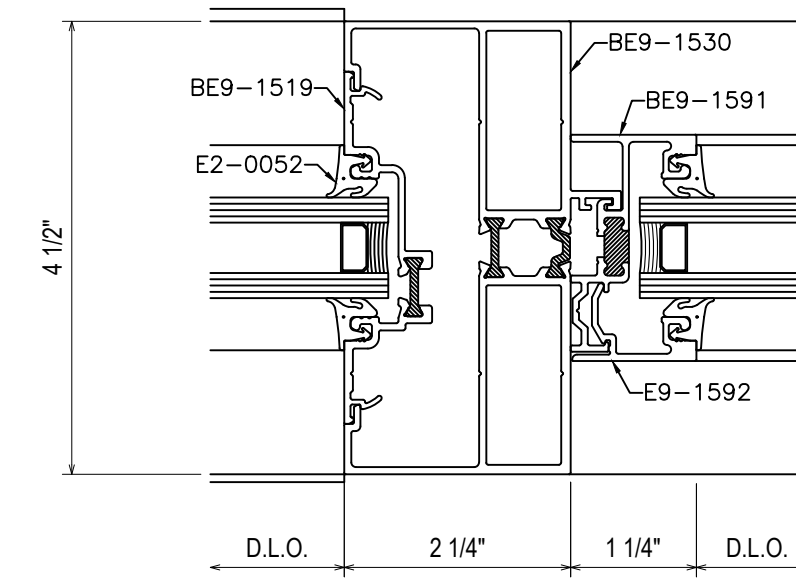
107
3.22
REF: N/A
SF2 - SF4 - SF20



108
3.22
REF: N/A
SF2



109
3.22
REF: N/A
SF3



110
3.22
REF: N/A
SF2

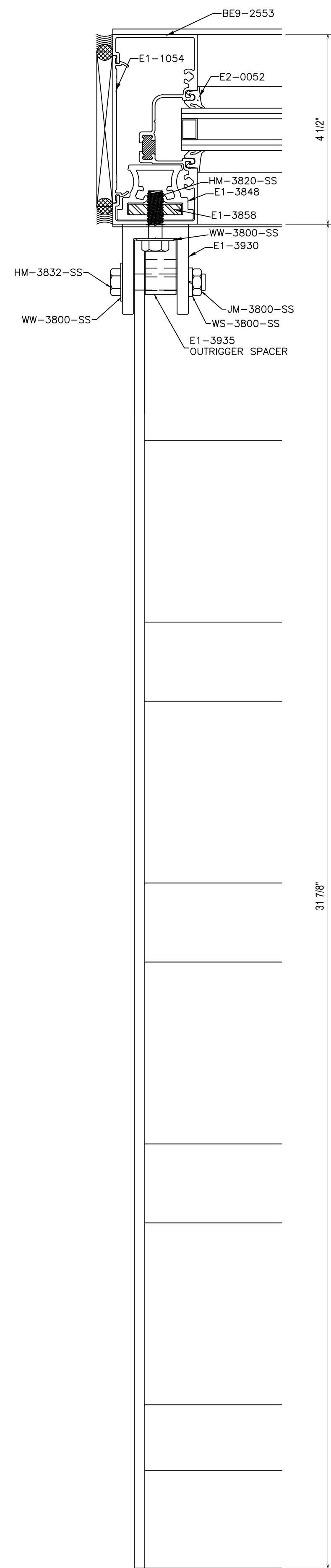
1ST SUBMISSION	4.22.21
1ST REVISION	7.14.21
2ND REVISION (ENGINEERING)	7.20.21
NO	DESCRIPTION
	DRAWING SUBMISSION

GLASS TECH COMMERCIAL GLAZING SERVICES, INC.
850 WEST STAR STREET
GREENVILLE, NC 27834
P: 252.355.9195

PROJECT: NEW HANOVER COUNTY
GOVERNMENT CENTER
LOCATION: 230 GOVERNMENT CENTER DRIVE
WILMINGTON, NC 28403
ARCHITECT: LS3P ASSOCIATES LTD.
CUSTOMER: GLASS TECH COMMERCIAL GLAZING SERVICES

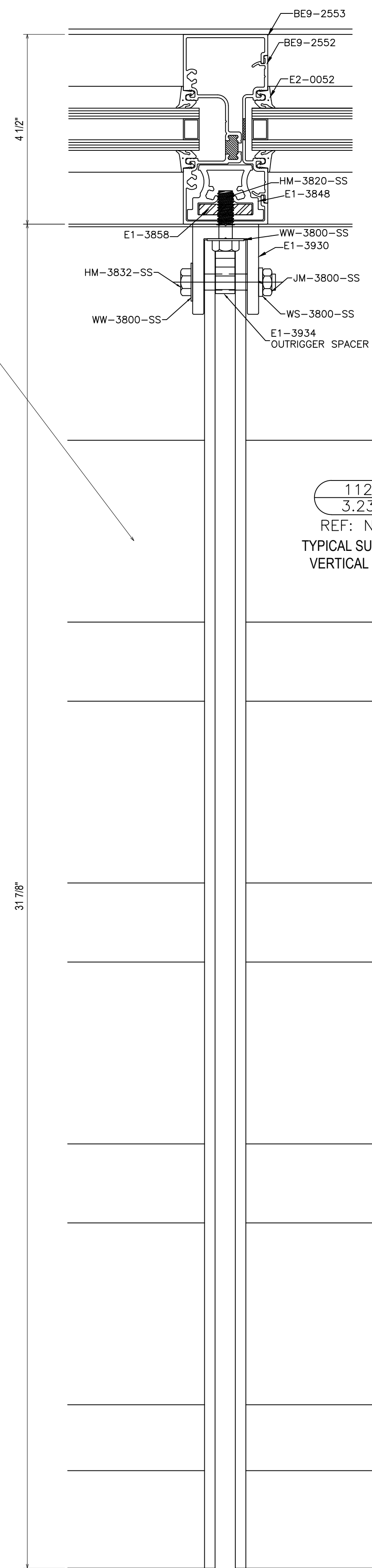
DRAWN BY:	DATE:
DJ	4.22.21
CHECKED BY:	DATE:
WH	4.22.21

3.22

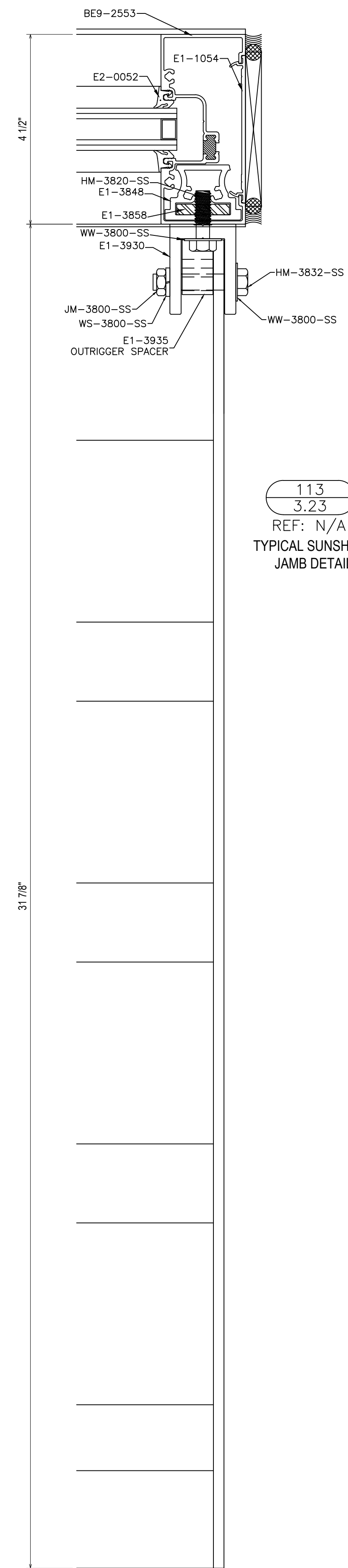


111
3.23
REF: N/A
TYPICAL SUNSHADE
JAMB DETAIL

WHEN THE SUNSHADE RUNS PAST
THE WINDOW, THE LAST BLADE WILL BE ELIMINATED



112
3.23
REF: N/A
TYPICAL SUNSHADE
VERTICAL DETAIL



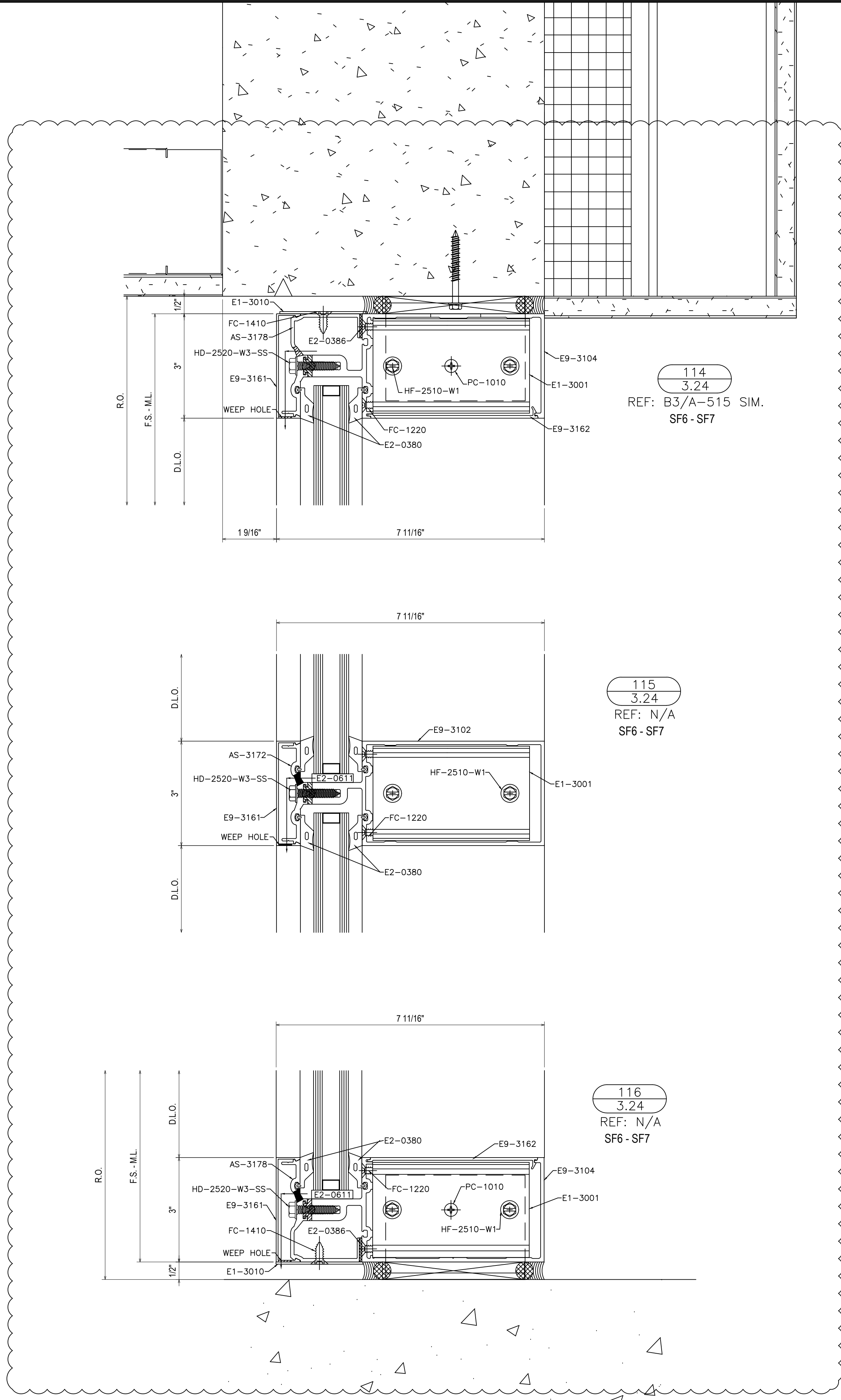
113
3.23
REF: N/A
TYPICAL SUNSHADE
JAMB DETAIL

1ST SUBMISSION	4.22.21
1ST REVISION	7.14.21
2ND REVISION (ENGINEERING)	7.20.21
NO	DESCRIPTION
NO	DATE

GLASS TECH COMMERCIAL GLAZING SERVICES, INC.
850 WEST STAR STREET
GREENVILLE, NC 27834
P: 252.355.9195

PROJECT: NEW HANOVER COUNTY
GOVERNMENT CENTER
LOCATION: 230 GOVERNMENT CENTER DRIVE
WILMINGTON, NC 28403
ARCHITECT: LS3P ASSOCIATES LTD.
CUSTOMER: GLASS TECH COMMERCIAL GLAZING SERVICES

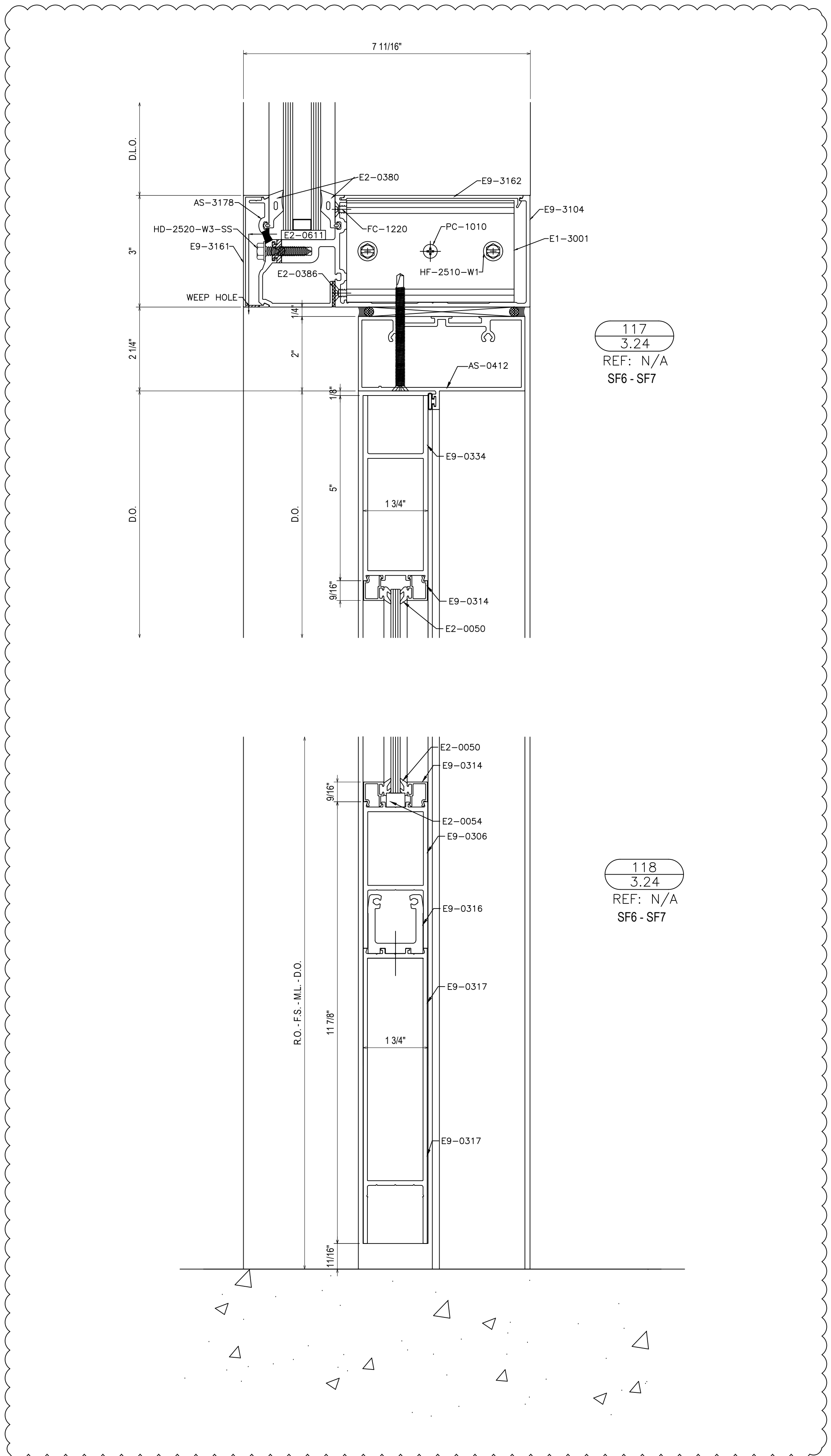
DRAWN BY:	DATE:
DJ	4.22.21
CHECKED BY:	DATE:
WH	4.22.21



114
3.24
REF: B3/A-515 SIM.
SF6 - SF7

115
3.24
REF: N/A
SF6 - SF7

116
3.24
REF: N/A
SF6 - SF7



117
3.24
REF: N/A
SF6 - SF7

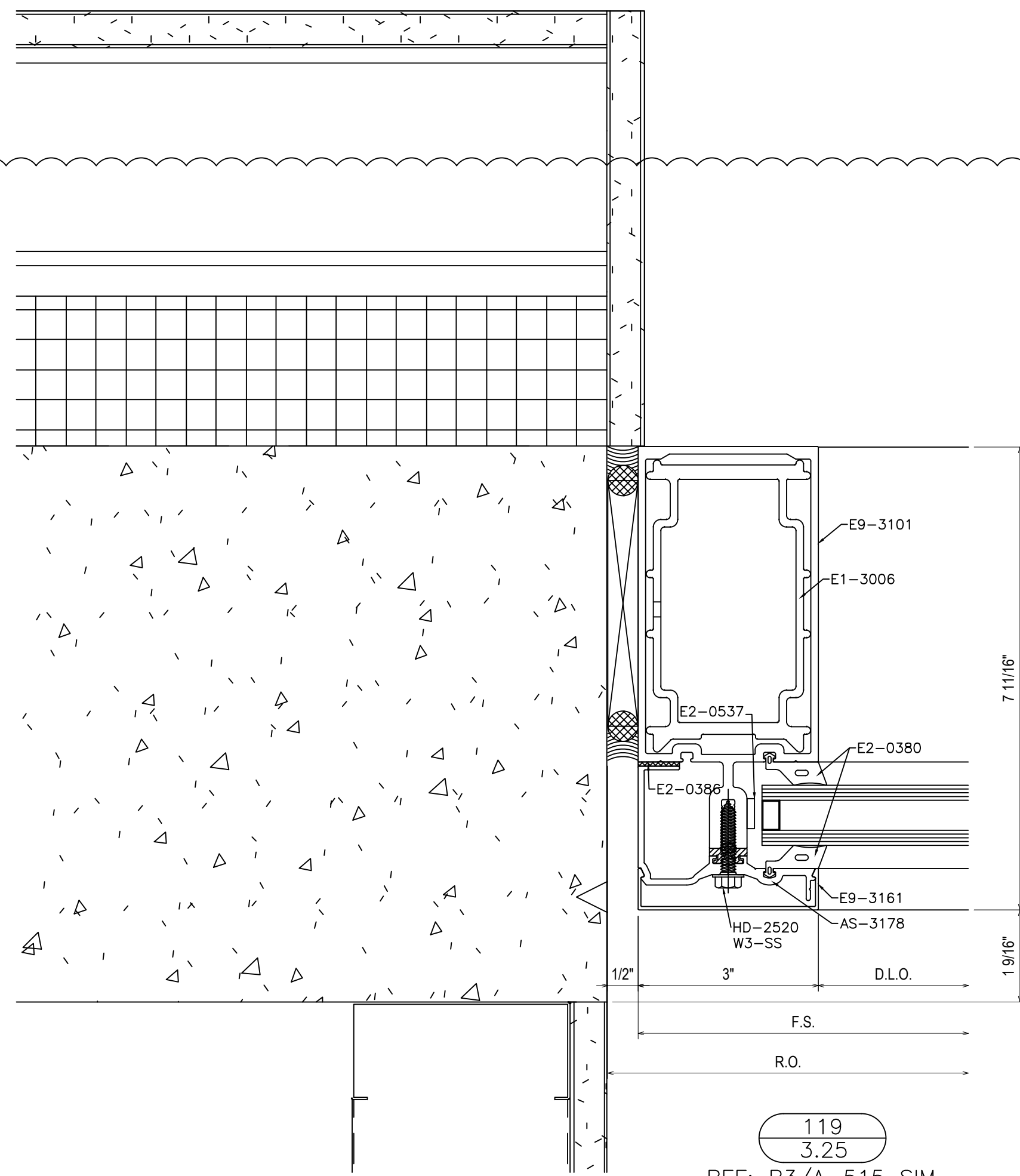
118
3.24
REF: N/A
SF6 - SF7

1ST SUBMISSION	4.22.21
1ST REVISION	7.14.21
2ND REVISION (ENGINEERING)	7.20.21
NO	DATE
DESCRIPTION	DRAWING SUBMISSION

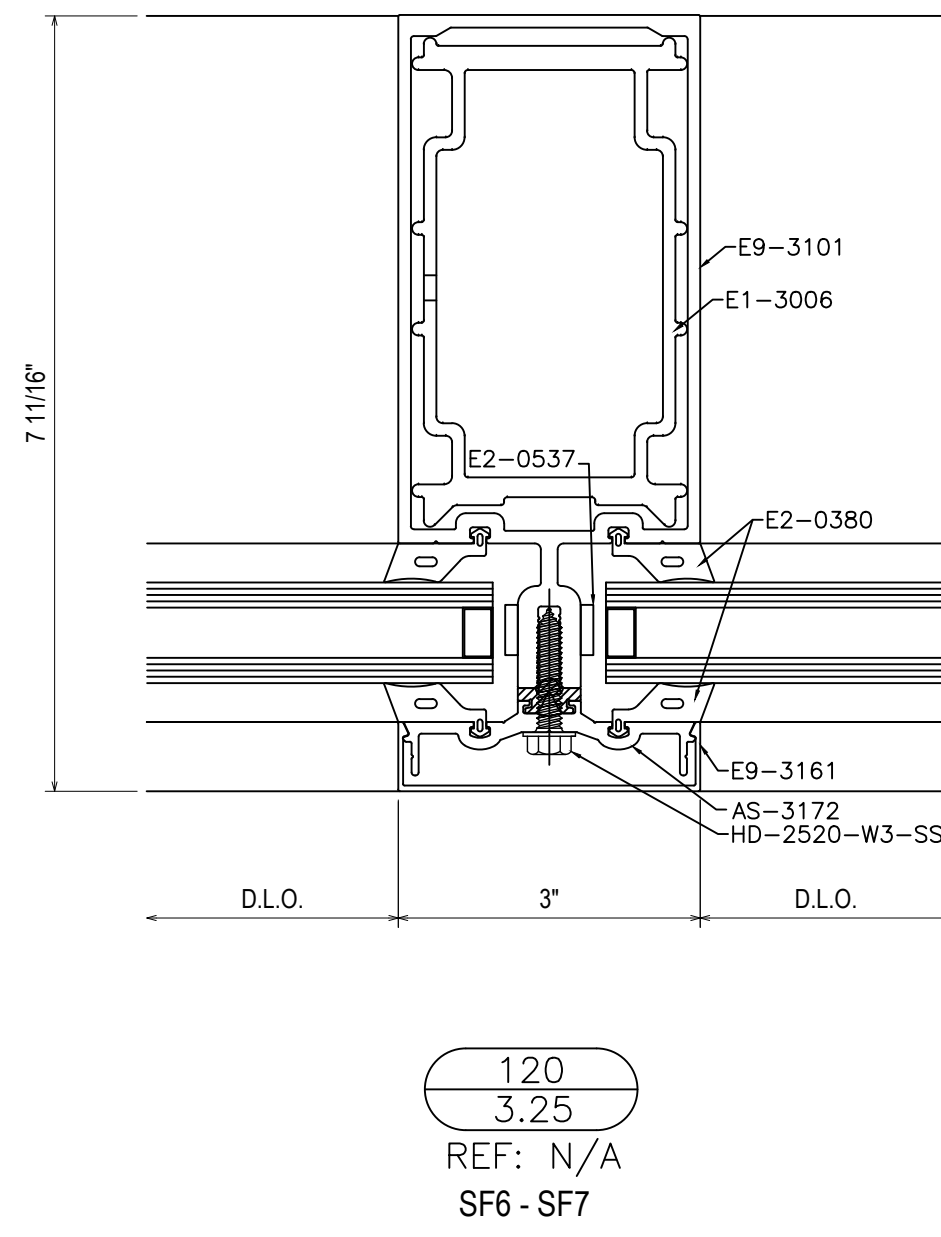
GLASS TECH COMMERCIAL GLAZING SERVICES, INC.
850 WEST STAR STREET
GREENVILLE, NC 27834
P: 252.355.9195

PROJECT: NEW HANOVER COUNTY
GOVERNMENT CENTER
LOCATION: 230 GOVERNMENT CENTER DRIVE
WILMINGTON, NC 28403
ARCHITECT: LS3P ASSOCIATES LTD.
CUSTOMER: GLASS TECH COMMERCIAL GLAZING SERVICES

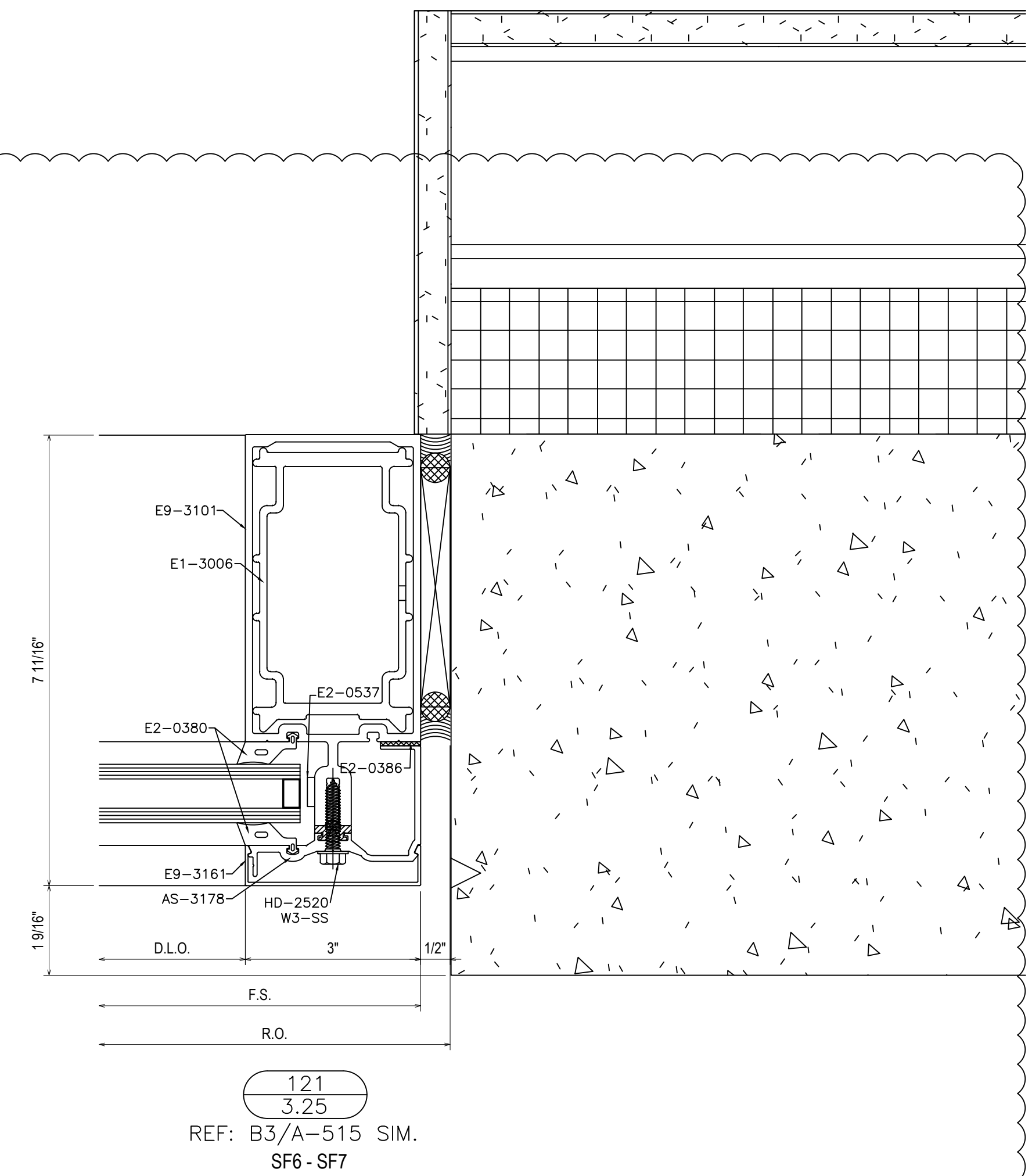
DRAWN BY:	DATE:
DJ	4.22.21
CHECKED BY:	DATE:
WH	4.22.21



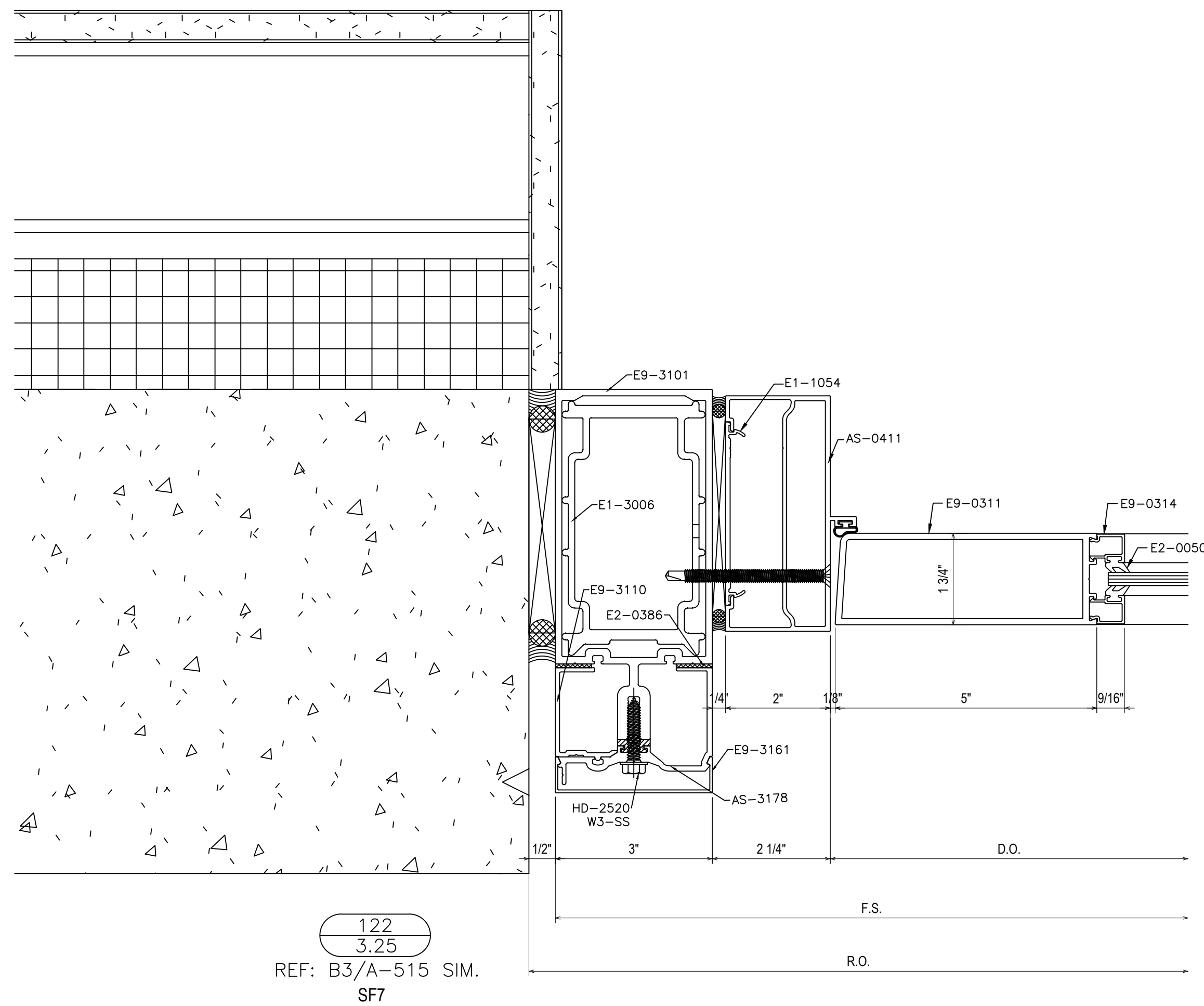
119
3.25
REF: B3/A-515 SIM.
SF6



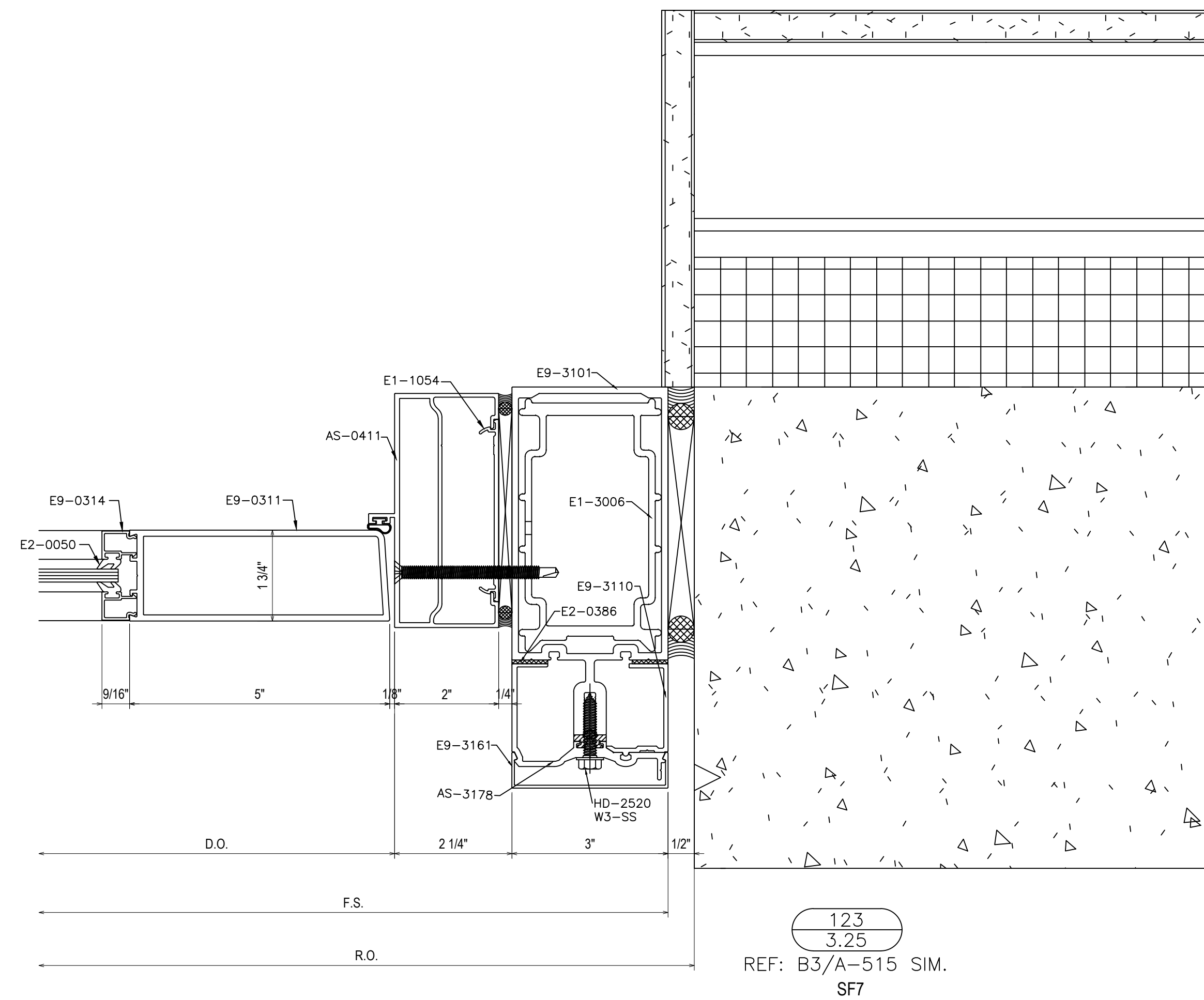
120
3.25
REF: N/A
SF6 - SF7



121
3.25
REF: B3/A-515 SIM.
SF6 - SF7



122
3.25
REF: B3/A-515 SIM.
SF7



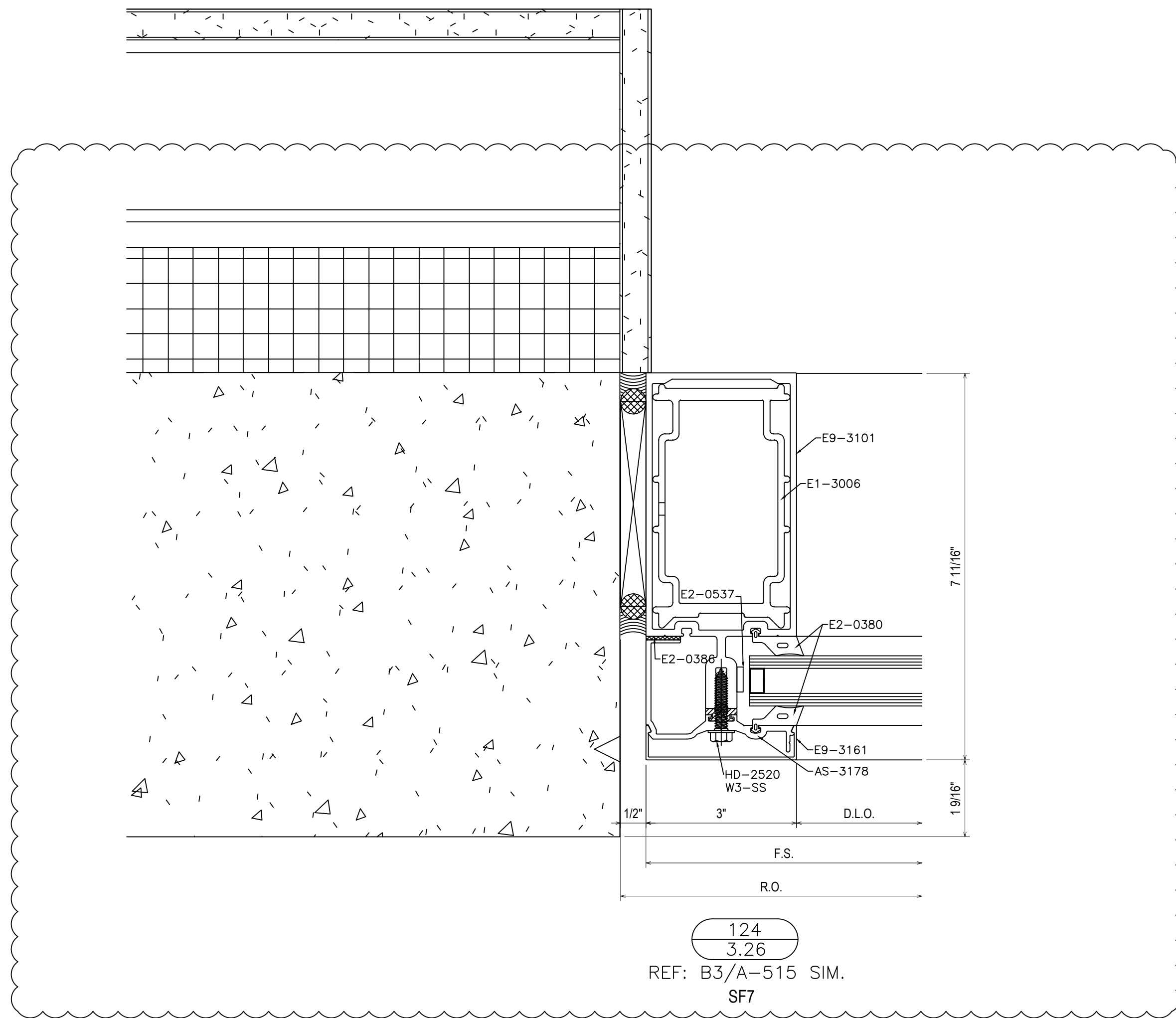
123
3.25
REF: B3/A-515 SIM.
SF7

1ST SUBMISSION	4.22.21
1ST REVISION	7.14.21
2ND REVISION (ENGINEERING)	7.20.21
NO	NO
DESCRIPTION	DATE
DRAWING SUBMISSION	

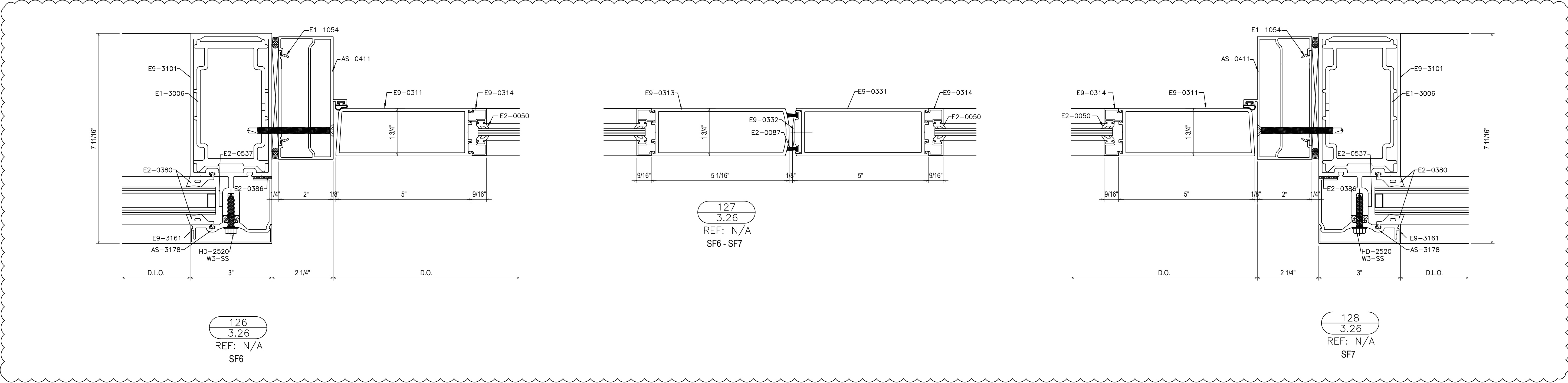
GLASS TECH COMMERCIAL GLAZING SERVICES, INC.
850 WEST STAR STREET
GREENVILLE, NC 27834
P: 252.355.9195

PROJECT: NEW HANOVER COUNTY
GOVERNMENT CENTER
LOCATION: 230 GOVERNMENT CENTER DRIVE
WILMINGTON, NC 28403
ARCHITECT: LS3P ASSOCIATES LTD.
CUSTOMER: GLASS TECH COMMERCIAL GLAZING SERVICES

DRAWN BY:	DATE:
DJ	4.22.21
CHECKED BY:	DATE:
WH	4.22.21



DETAIL 125 HAS BEEN DELETED FROM THE PROJECT



DETAILS 129 AND 130 HAVE BEEN DELETED FROM THE PROJECT

1ST SUBMISSION	4.22.21
1ST REVISION	7.14.21
2ND REVISION (ENGINEERING)	7.20.21
NO	DESCRIPTION
NO	DATE
DRAWING SUBMISSION	

GLASS TECH COMMERCIAL GLAZING SERVICES, INC.
 850 WEST STAR STREET
 GREENVILLE, NC 27834
 P: 252.355.9195

PROJECT: NEW HANOVER COUNTY GOVERNMENT CENTER
 LOCATION: 230 GOVERNMENT CENTER DRIVE WILMINGTON, NC 28403
 ARCHITECT: LS3P ASSOCIATES LTD.
 CUSTOMER: GLASS TECH COMMERCIAL GLAZING SERVICES

DRAWN BY:	DATE:
DJ	4.22.21
CHECKED BY:	DATE:
WH	4.22.21