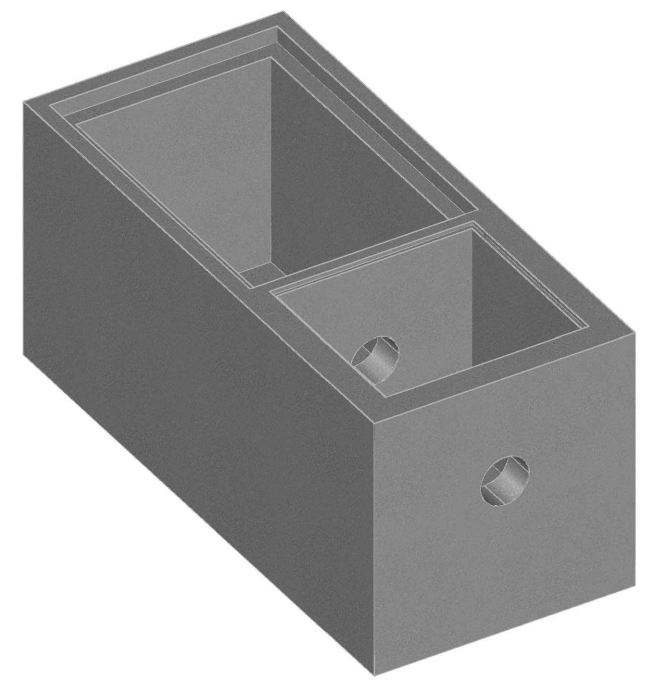
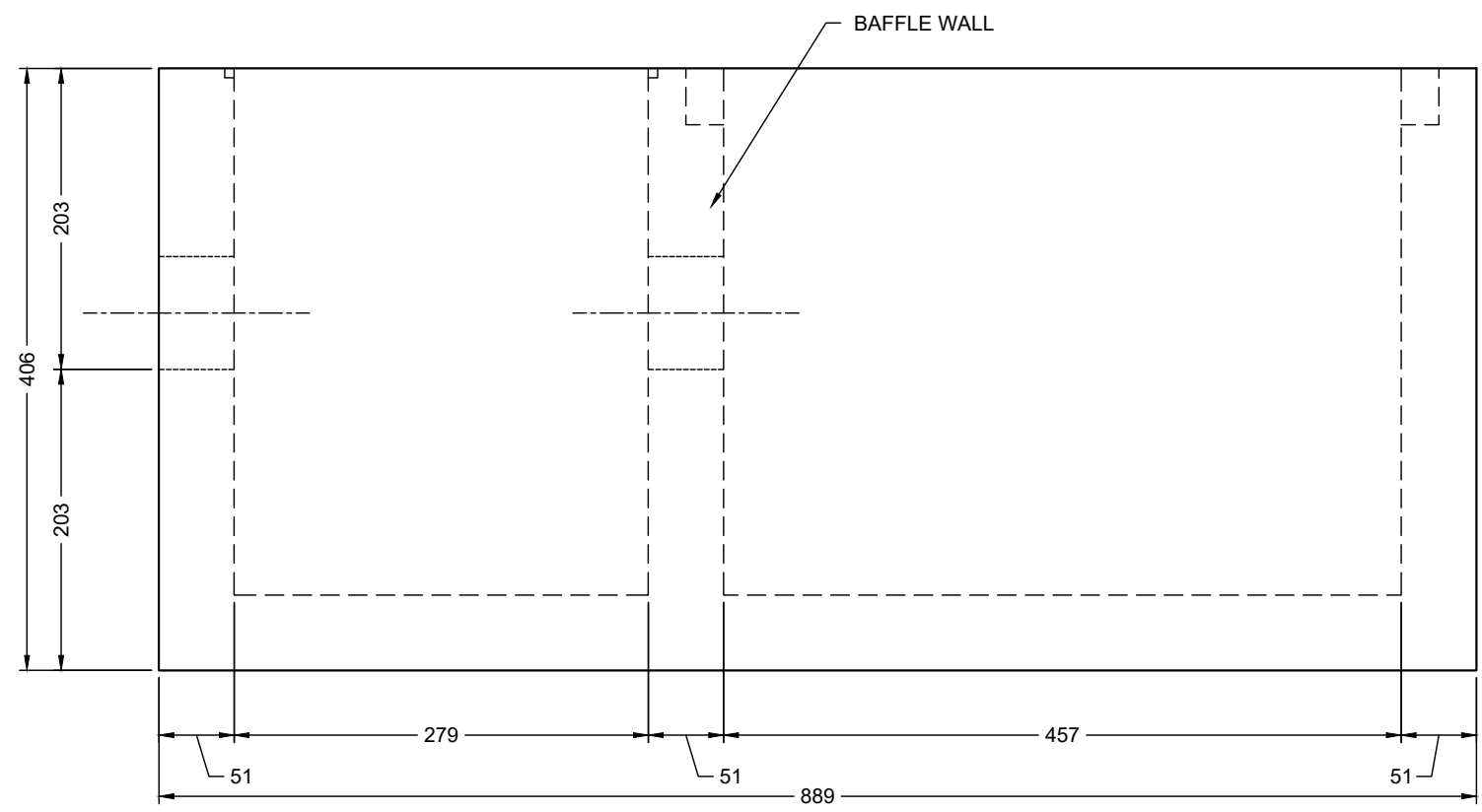


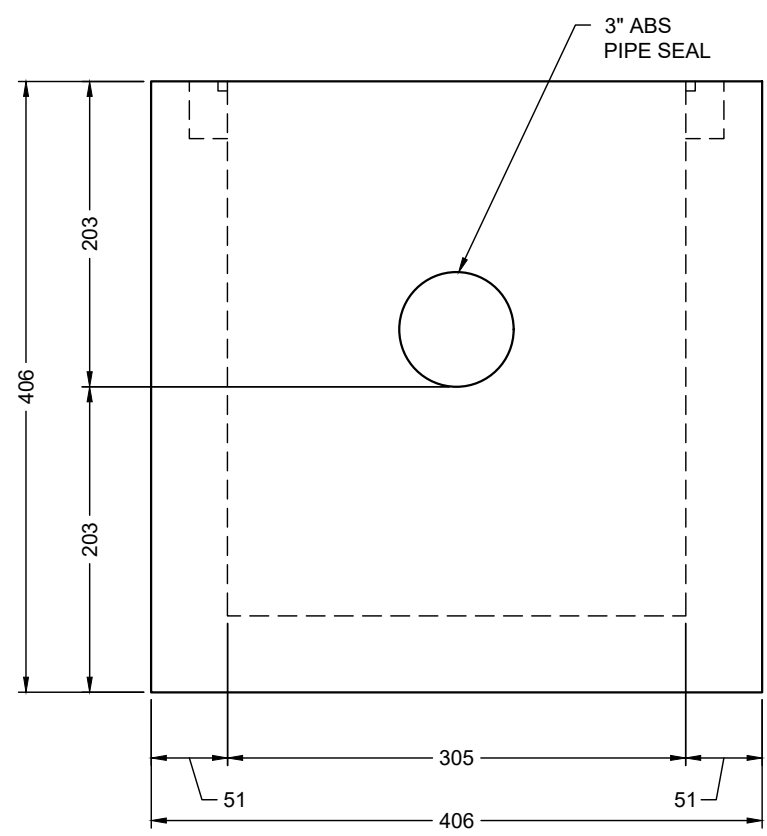
PLAN VIEW



ISOMETRIC



Section A-A



Section B-B

CONCRETE	RELEASE	MPa	20		
	28 DAY:	MPa	35		
	AIR CONTENT:		6% ± 1%		
	WEIGHT:	kg	160	VOLUME	m ³
STRAND	TYPE:	kg/m ³	2402		
		mm	-		
		MPa	-		
MARK	DESCRIPTION	QTY.			



- NOTES:
- 1) CEMENT : PORTLAND CEMENT TYPE 50(HS)
 - 2) Max AGGREGATE SIZE: 20mm
 - 3) 28 DAY STRENGTH: MIN. 35 MPa.
 - 4) ENTRAINED AIR: 6%±1%
 - 5) REINFORCING TO CAN/CSA-G30.18 400 MPa
 - 6) ALL UNITS ARE IN MILLIMETERS UNLESS OTHERWISE NOTED.

DWG. NO.	REFERENCE	NO.:	REVISION DESCRIPTION	BY	APP'D	DATE	DRW BY	SWM	2018/11/19
-	-	A	ISSUED PLAN	-	-	2018/11/19	CH'K BY	-	-
-	-	-	-	-	-	-	AP'D BY	-	-
-	-	-	-	-	-	-	AP'D BY	-	-
-	-	-	-	-	-	-	SCALE: NTS	PAGE: 1 OF 1	

TITLE:		21 GALLON GARAGE SUMP TWO COMPARTMENTS DETAIL DRAWING
PROJECT NO.:	JOB NO.:	
DRAWING NO.:	SVI-GS-21-01A	