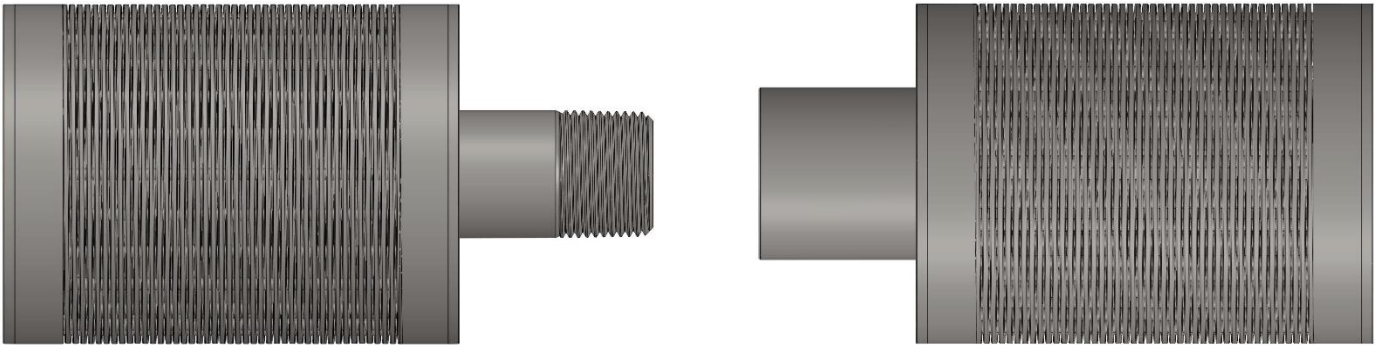


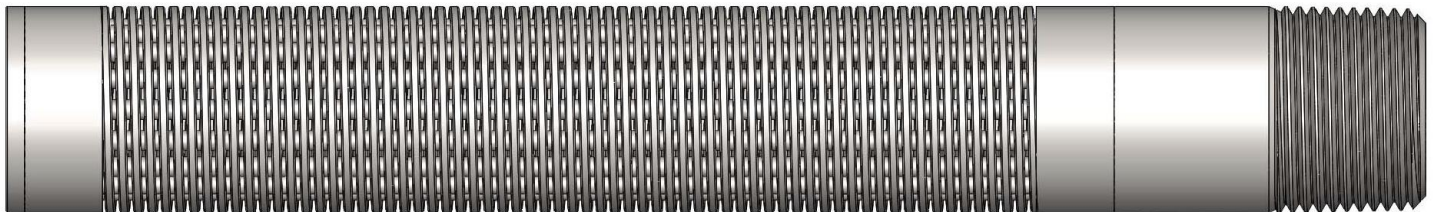
NOZZLE AND LATERAL SCREENS

Rod-based, wire-wrapped sand control screens

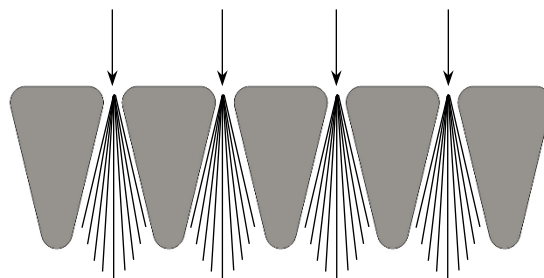
The Wedge Wire Screen Nozzle rod-based, wedge-wire wrapped, all welded screen has a large inlet area that allows maximum flow while maintaining a low profile. The continuous slot allows more open area while the accurate slot size allows for retention of desired particulates and other media.



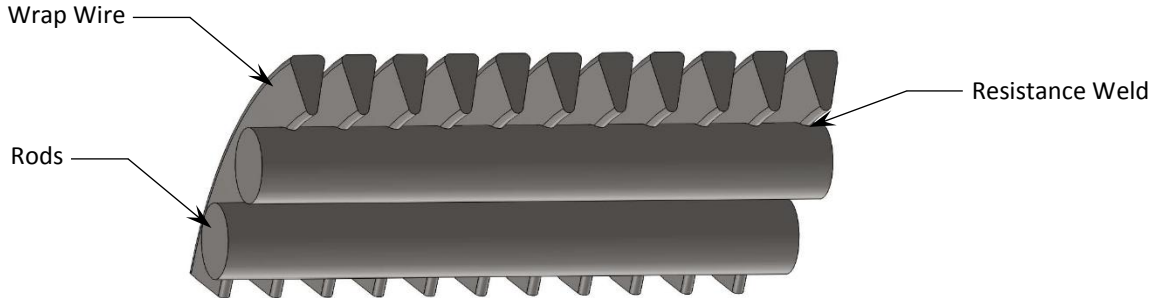
The Header- and Hub-Lateral screens utilize the same wedge-wire wrapped screens to provide uniform distribution and collection within a vessel containing treatment media. These screens can be designed for a wide range of systems, taking into account the requisite flow rate, resin/media to be retained, minimum open area, vessel dimensions, and other considerations.



Non-Clogging slots are formed by the wedge-shaped wire, wrapped spirally around preset vertical base rods, and specially welded at each point of contact. Wire wraps are precision spaced giving uniform slot tolerance throughout the length of the screen. Wedge-shaped wire forms "V" shaped openings between wraps, which provide self-cleaning action and greatly reduce flow friction. Small particles are easily passed through the continuous slot, while larger ones are held out without inhibiting the total inlet area.



The Strength of these screens is due to the all-welded construction of the wrap wire being welded to the rods at each point of contact. Heavy rod configurations help to distribute the driving forces evenly throughout the screen without sacrificing open area.



Common Sizes

Size	Approx. Screen ID	Approx. Screen OD	Approx. Open Area* (in ² /ft)
1	0.90	1.32	8.0
1-1/4	1.22	1.66	9.0
1-1/2	1.50	1.90	10.2
2	1.85	2.38	12.8
3	3.06	3.50	18.8
4	4.06	4.50	25.6

*Based on .010" slot
Other sizes available on request

Applications

- Water Treatment
- Waste Water Treatment
- Petrochemical Processing
- Food & Beverage Processing

Available Material Grades

- 304 Stainless Steel
- 316 Stainless Steel
- Nickel Alloys

Information Needed to Quote

- Material of Construction: 304L SS, 316L SS, Other (Please Specify)
- Pipe Size of Screen
- Screen Slot Size
- Screen Length
- End Connections

18102 East Hardy Road
Houston, Texas 77073 USA
Phone: 281.233.0214
Toll-free: 800.577.5068
Fax: 281.233.0487
Email: info@alloymachineworks.com
www.alloyscreenworks.com