

ADandD P/N SEPL-3

Mounts with included hardware. Assembly instructions provided

Option of lenses: Borax High Temp, Laminated Glass, Lexan Lens.

Mounts the below Keyence products.

Keyence vision sensor IV3-400 ca/ma

Keyence vision sensor IV3-500 ca/ma

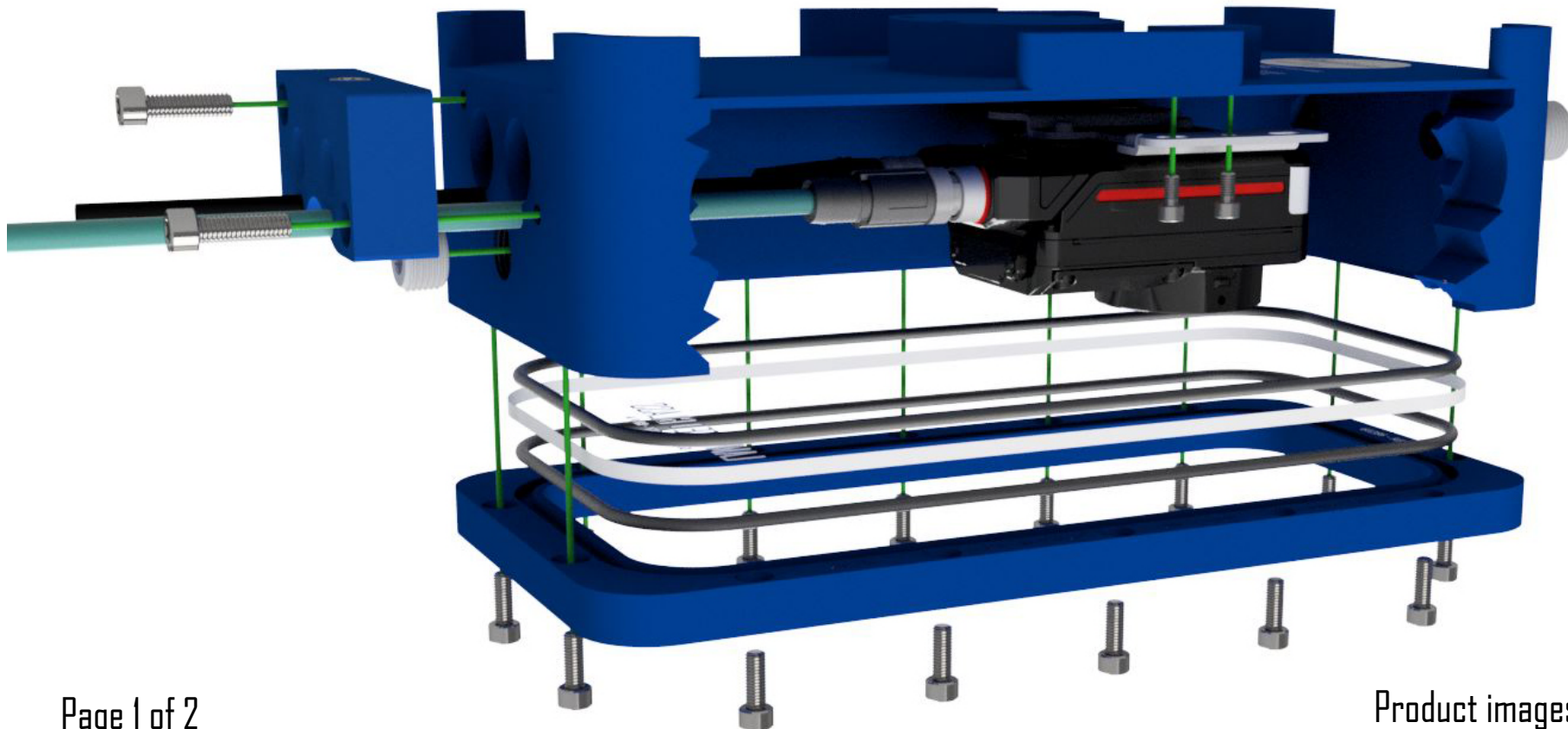
Keyence vision sensor IV3-600ca/ma

Keyence illumination light IV3-L4c/m

Keyence illumination light IV3-L5c/m

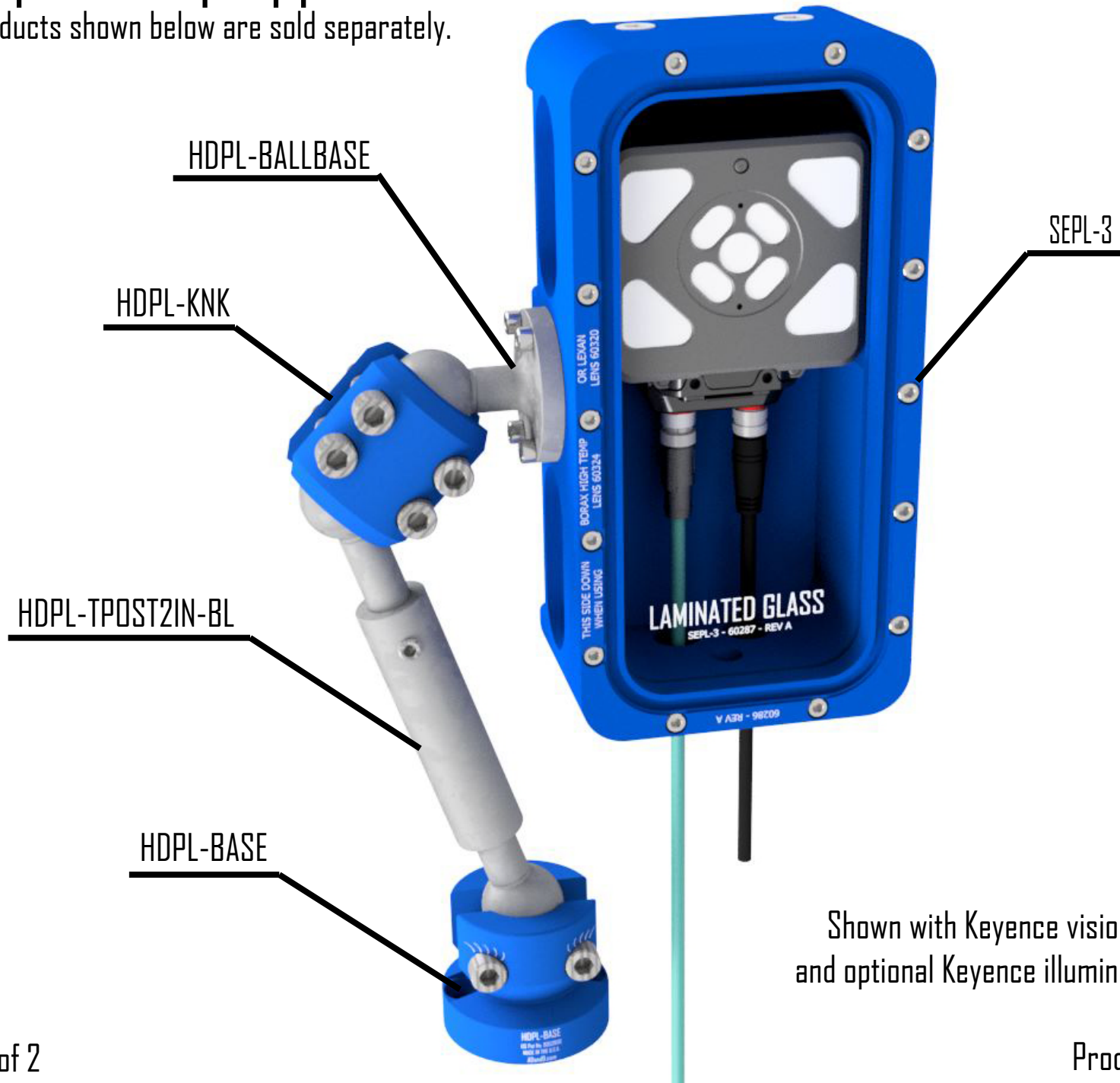
Keyence illumination light IV3-L6c/m

Keyence polarizing filters OP-88640, 41, 44, 45



Sample Setup Application

All products shown below are sold separately.



Shown with Keyence vision sensor IV3-500c/m and optional Keyence illumination light IV3-L4 c/m