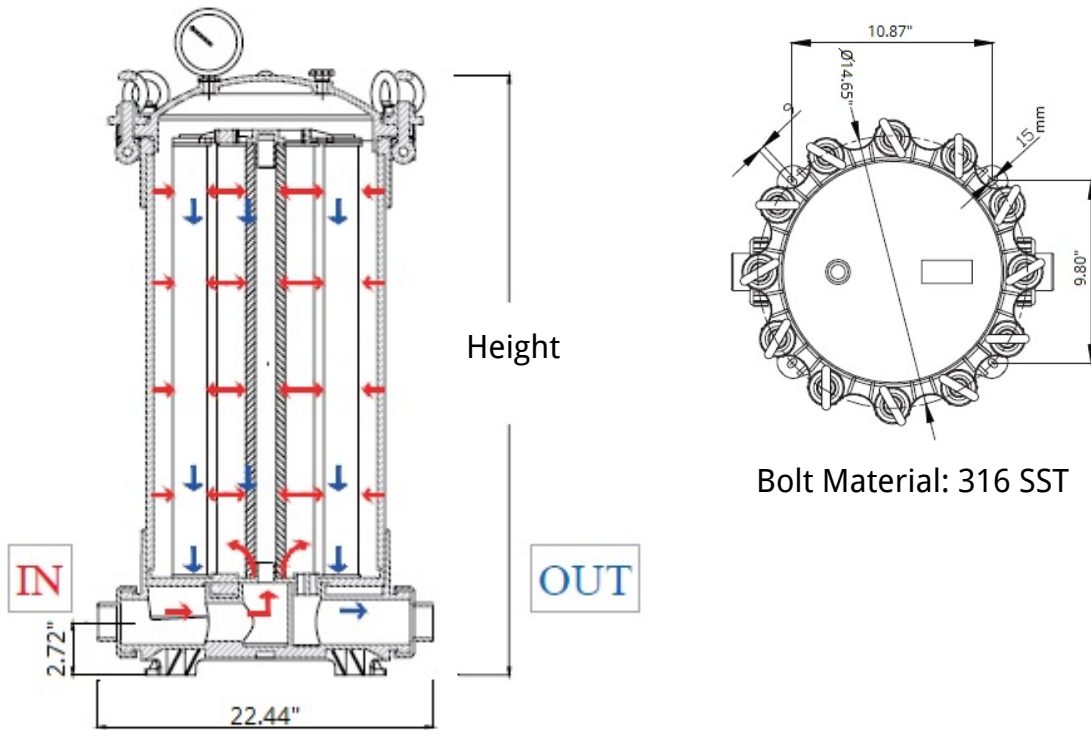


PVC Cartridge Housing - 8 and 9 Rounds



Part Number	Material	Diameter (Inches)	Height (Inches)	Cartridges	Cartridges Length	In/Out	Drain	Max. Pressure	Max. Temp.	Flow Rate
HPCF-8DC2	PVC	Ø12.4"	29.33"	8	20"	DN80/ANSI 3"	DN1/2" OR ANSI 1/2"	86 PSI	113°F	46 GPM
HPCF-8DC3	PVC	Ø12.4"	39.17"	8	30"	DN80/ANSI 3"	DN1/2" OR ANSI 1/2"	86 PSI	113°F	69 GPM
HPCF-8DC4	PVC	Ø12.4"	49"	8	40"	DN80/ANSI 3"	DN1/2" OR ANSI 1/2"	86 PSI	113°F	92 GPM
HPCF-9DC2	PVC	Ø12.4"	29.33"	9	20"	DN80/ANSI 3"	DN1/2" OR ANSI 1/2"	86 PSI	113°F	52 GPM
HPCF-9DC3	PVC	Ø12.4"	39.17"	9	30"	DN80/ANSI 3"	DN1/2" OR ANSI 1/2"	86 PSI	113°F	79 GPM
HPCF-9DC4	PVC	Ø12.4"	49"	9	40"	DN80/ANSI 3"	DN1/2" OR ANSI 1/2"	86 PSI	113°F	103 GPM