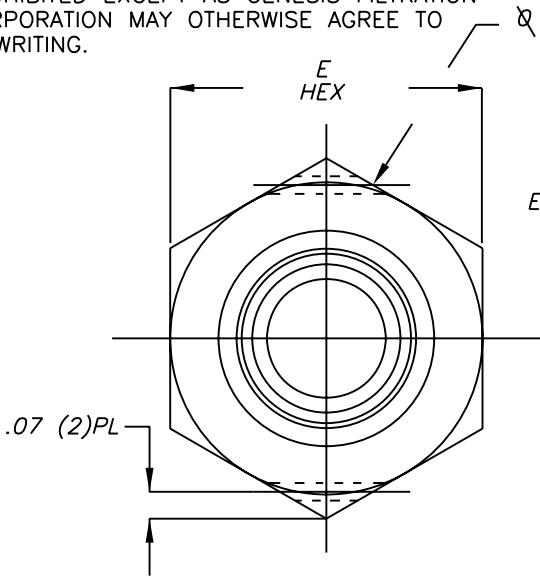


CLICK TO CONTACT US

THIS DOCUMENT CONTAINS INFORMATION PROPRIETARY TO GENESIS FILTRATION CORPORATION. ANY REPRODUCTION, DISCLOSURE, OR USE OF THIS DOCUMENT IN WHOLE OR IN PART IS EXPRESSLY PROHIBITED EXCEPT AS GENESIS FILTRATION CORPORATION MAY OTHERWISE AGREE TO IN WRITING.

REVISIONS			
LTR	DESCRIPTION	DATE	APPROVED



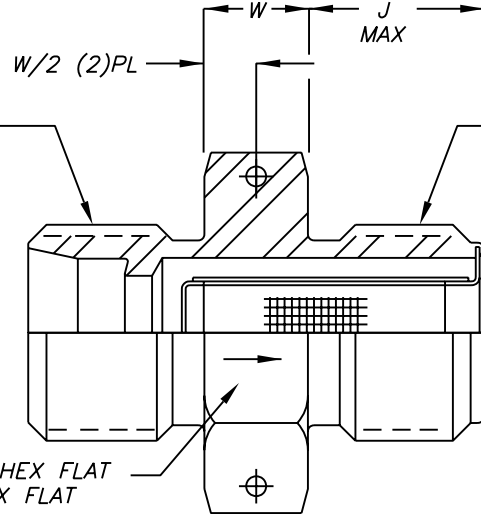
Ø .052 LOCKWIRE (2)PL

EXAMPLE PART NO:
16000-6-10

ADD "D" TO END OF PART NO FOR ALUM FITTING OPT.

10 MICRONS NOMINAL
-6 LINE SIZE

PERMANENTLY MARK FLOW ARROW ON ONE HEX FLAT
MICRON RATING ON HEX FLAT
180° OPPOSITE



FITTING END PER MS33514- ⚠

FITTING END PER MS33514- ⚠ EXCEPT AS SHOWN

- CONSTRUCTION: FILTER ELEMENT IS REISITANCE WELDED. AND SPIN SWAGED INTO HOUSING
 - MATERIALS: FILTER ELEMENT: AISI T 300 SER. CRES. FITTING: AISI T 300 SER. CRES. AVAILABLE IN ALUM ALLOY, ANODIZED.
 - FILTER MEDIA: STAINLESS STEEL WOVEN WIRE MESH.
- ⚠ SECOND DASH NUMBER SPECIFIES NOM MICRON RATING.
⚠ FIRST DASH NO SPECIFIES TUBE SIZE

- ⚠ DASH NO	TUBE SIZE	J MAX	E HEX	EFFECTIVE FILTER AREA SQ IN MIN	ELEMENT COLLAPSE PRESSURE PSID MIN
- 4	1/4	.463	.688	.400	900
- 5	5/16	.463	.750	.450	900
- 6	3/8	.479	.813	.480	500
- 8	1/2	.572	1.000	.750	250

- ⚠ DASH NO	NOM MICRON RATING
- 2	2
- 5	5
- 10	10
- 20	20
- 40	40
- 70	70
- 105	105

ADDITIONAL SIZES AND OPTIONS AVAILABLE

UNLESS OTHERWISE SPECIFIED		DO NOT SCALE THIS DWG. INTERPRET DWG PER IAW DOD-STD-1000 DIMS & TOLS. PER ANSI Y14.5		DFT BY:	Genesis Filtration Inc. 9757 7th STREET, UNIT 804 Rancho Cucamonga, CA 91730				
DIMENSIONS IN INCHES REMOVE ALL BURRS		SURFACE ROUGHNESS PER ANSI B46.1 125 √		DESIGN BY:					
MACHINE RADII .005/.015 R.		MATERIAL NOTED		APPVD BY:	TITLE FILTER UNION: FLARELESS TUBE				
BREAK ALL SHARP EDGES .002/.010 R.				CUSTOMER NAME					
DECIMALS .XX .XXX	FRAC	ANGLES	FINISH	CUSTOMER P/N		SIZE A	FSCM NO. 04AX3	DWG NO. 16000-⚠ - ⚠	REV
±	±	±		SCALE	GFORME05 12/24/98	WEIGHT	SHEET OF		