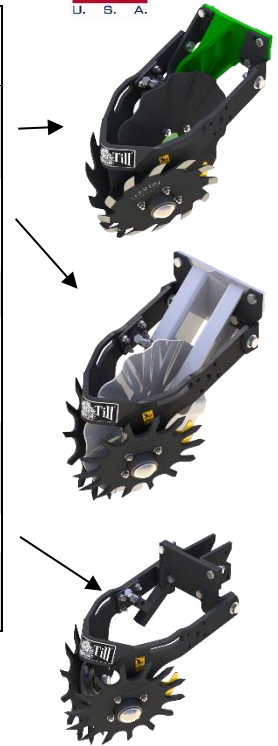
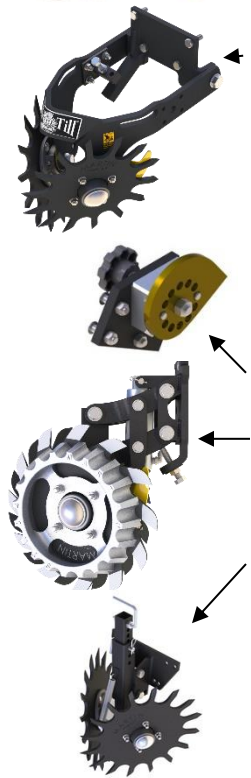




MARTIN ROW CLEANERS



PART #	MODEL TO FIT	TYPE	PRICE EA. W/ RAZOR OR STANDARD WHEELS & TREADERS
BD1360	JD 7200-1700 W/OUT COULTER	FLOATING	\$ 520 SALE
BDC1360	JD 7200-1700 W/COULTER	FLOATING	\$ 520 SALE
BKW1360	KINZE/ WHITE W/OUT COULTER	FLOATING	\$ 520 SALE
BKC1360	KINZE W/ COULTER	FLOATING	\$ 520 SALE
BD1345	JD 1700 W/OUT COULTER (HIGH SPEED)(NARROW Row)	FLOATING	\$ 520 SALE
ADD ON	CA-03 CAM ADJUST W/ ROW CLEANER DEERE	FLOATING	\$ 589 SALE
ADD ON	CA-03K CAM ADJUST W/ ROW CLEANER KINZE	FLOATING	\$ 589 SALE
ACCR1345	JD / WHITE/ KINZE FOR USE WITH SMART CLEAN AND CLEAN SWEEP (AIR CYLINDER INCLUDED)	FLOATING	\$ 695 SALE
ACCR1360	JD / WHITE/ KINZE FOR USE WITH SMART CLEAN AND CLEAN SWEEP (AIR CYLINDER INCLUDED)	FLOATING	\$ 695 SALE
BCIH1360	CNH NOTE: Will not work if Drive Shaft is under planter frame	FLOATING	\$ 549 SALE
B1334	CNH 1200-1250	RIDGID	\$ 420 SALE
B1532	JD/ KINZE/ WHITE 15"	RIDGID	\$ 455 SALE



Properly designed row cleaners provide a very desirable type of tillage. With row cleaner teeth continuously engage the soil to the shallow depth of 1" to 1 1/2". By scarifying the soil's surface layer it makes it easier for the seed openers to open a well defined "V" without furrowing out or causing slabbing or fleaking. Eliminating furrows is the key to preventing erosion in the row on slopes and the ponding of water over the row in level areas. Martin Row Cleaners come in two basic types: **rigid** and **floating**.

Hydraulic Frame Weight Distribution System

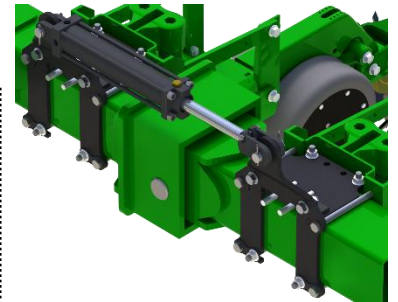
Can be used with Frame Mounted Opener
Fits 1770 12,16 AND 24 Row/ 1790-95

Includes...

- In-Cab Control Box with harness
- Bolt on brackets
- Grade 8 mounting hardware
- Industry standard durable hydraulic valve
- Made in USA hydraulic cylinders
- NOTE: Kit does not include custom hydraulic hoses or fittings
- Check fit up for Center Frame Mounted Fertilizer Tanks and Brackets for possible tank mounting bracket

KIT PRICE W/ OUT HOSE

PART #	MODEL #	PRICE EA.
900083	1770/75-12/16	\$ 5225 SALE
900244	1770-24R	\$ 6175 SALE
900075	1790-30'&40'	\$ 5225 SALE
900072	1795-30'&40'	\$ 5225 SALE



REPLACEMENT PARTS FOR MARTIN ROW CLEANERS

PART #	APPLICATION	PRICE EA.
RTW1412.5L/R	12.5" RAZOR WHEEL	\$ 61.00 SALE
TW3813L/R	13" 3 BOLT WHEEL	\$ 61.00 SALE
TW3813L/R4	13" 4 BOLT WHEEL	\$ 61.00 SALE
TW3815L/R	15" 3 BOLT WHEEL	\$ 71.00 SALE
TW3815L/R4	15" 4 BOLT WHEEL	\$ 71.00 SALE
HRKIT	HUB BEARING KIT W/ SEALS	\$ 25.00 SALE
HA44270-D	ROW CLEANER HUB	\$ 88.00 SALE
STW-04	3 & 4 BOLT TREADER WHEEL	\$ 35.00 SALE
5203KYY2	40MM HUB BEARING	\$ 8.95 SALE
203/6203K	2PC. HUB BEARING KIT	\$ 11.95 SALE
CHU022	3 BOLT SPADE HUB	\$ 48.00 SALE
CHU024	3 BOLT SPADE HUB 40MM	\$ 48.00 SALE
CHU44-B2	4 BOLT CAST SPADE HUB	\$ 65.50 SALE

