



**PORTER
PRESTON**

Quality Wholesale Window Coverings
Contract • Hospitality • Residential

NATURAL WOVEN SHADES

PANEL TRACK

Effective February 3, 2020

design simplified™

TABLE OF CONTENTS

Product Overview

- Features & Benefits 2
- Color Charts 3

Product Specifications

- Product Characteristics 4
- Options and Features 4
- Product Specifications & Configurations 5-6

Pricing

- Price Group 17
- Price Group 28
- Price Group 39
- Price Group 410
- Options & Surcharges11

- Measuring and Installation Specifications12

FEATURES & BENEFITS



- Offered in a nice selection of Natural Woven Wood, Select Weave, and Grass Weave styles featuring unique patterns and warm, rich tones
- Optional fixed translucent & room darkening liners provide additional privacy and a neutral outside appearance
- Twill edge-bindings frame the individual panels using a high-quality sewing process, adding a decorative finishing touch, and also providing additional panel structure and support
- Coordinated wood wand complements the natural look and provides convenient operation.
- Offers an excellent configuration to cover sliding glass doors and extra wide windows
- Available in side stack, split stack and free-floating panel configurations along with optional valances
- Limited Lifetime Warranty ensures your customers' satisfaction

COLOR CHARTS

WOVEN WOOD COLOR CHART

COLLECTION	COLOR #	COLOR NAME	TWILL EDGE-BINDING COLOR NAME	TWILL EDGE-BINDING* COLOR #
------------	---------	------------	-------------------------------------	-----------------------------------

Price Group 1 Panel Track

ELI	2104	Nagoya Harvest	Mocha	417 & 817
TER	2011	Sonora Desert	Mocha	417 & 418

Price Group 2 Panel Track

EXO	2052	Serengeti Sunrise	Mocha	417 & 817
EXO	2053	Serengeti Cocoa	Chocolate	418 & 818
CUL	2072	Hunan	Mocha	417 & 817
EXO	2150	Sumatra Surprise	Desert	412 & 812
EXO	2232	Taos	Steel	421 & 821

Price Group 3 Panel Track

EXO	2054	Indo Chic	Black	424 & 824
EXO	2068	Kiribati Jungle	Mocha	417 & 817
EXO	2069	Kiribati Rainforest	Chocolate	418 & 818

Price Group 4 Panel Track

CUL	2070	Tobago	Mocha	417 & 817
CUL	2085	Antiqua Maze	Desert	412 & 812
CUL	2086	Antiqua Surf	Jute	409 & 809
EXO	2096	Zulu	Espresso	419 & 819
ELI	2153	Sakura Etude	Espresso	419 & 819

Standard 5/8" twill edge-bindings are represented by the 4xx numbers.
Optional 1-1/2" twill edge-bindings are represented by the 8xx numbers.

** Note: Twill edge-binding colors White, Duck, Latte, and Silver are not available in 1-1/2" widths.

IMPORTANT NOTE ABOUT NATURAL WOVEN MATERIALS:

Our Woven Wood shades are uniquely constructed from natural bamboo, reeds, jutes, rattan, grasses and woods. Many materials, such as natural grasses, are hand tied and braided with expert care. Each woven wood shade is one of a kind. Slight cracks, wood imperfections and variations in color are all inherent in natural products and are not considered flaws.

SELECT & GRASS WEAVES COLOR CHART

COLLECTION	COLOR #	COLOR NAME	TWILL EDGE-BINDING COLOR NAME	TWILL EDGE-BINDING* COLOR #
------------	---------	------------	-------------------------------------	-----------------------------------

Price Group 1 Panel Track

GRW	2305	Coban Parchment	White	400**
GRW	2337	Singapore Bisque	Beige	408 & 808
GRW	2338	Singapore Talc	Dusk	405 & 805
GRW	2339	Singapore Cotton	White	400**
GRW	9410	Coban Gray	Silver	420**
GRW	9450	Singapore Gray	Steel	421 & 821
GRW	9474	Celebes Cornsilk	Dusk	405 & 805
GRW	9475	Celebes Seashell	Silver	420**
GRW	9476	Celebes Ivory	Silver	420**

Price Group 2 Panel Track

GRW	2304	Caracas Tortoise	Beige	408 & 808
GRW	2310	Granada Cinnamon	Jute	409 & 809
GRW	2311	Granada Ginger	Duck	403**
GRW	2312	Granada Nutmeg	Camel	410 & 810
GRW	2331	Nassau Pewter	Latte	404**
GRW	2340	St. Lucia Sand	Duck	403**
GRW	2343	St. Lucia Storm	Steel	421 & 821
GRW	2345	Zaire Camel	Duck	403**
GRW	9420	Granada Bark	Espresso	419 & 819
GRW	9440	Nassau Cocoa	Chocolate	418 & 818

Price Group 3 Panel Track

GRW	2323	Luzon Whisper	White	400**
GRW	2324	Luzon Cornsilk	Duck	403**
GRW	2325	Luzon Greige	Silver	420**
GRW	9400	St. Kitts Dune	Dusk	405 & 805
GRW	9401	St. Kitts Greywood	Silver	420**
GRW	9460	Aruba Summer	White	400**
GRW	9461	Aruba Straw	Duck	403**
GRW	9462	Aruba Sand Dune	Beige	408 & 808
GRW	9463	Aruba Driftwood	Silver	420**
GRW	9464	Aruba Café	Espresso	419 & 819
GRW	9470	Martinique White Wash	White	400**
GRW	9471	Martinique Sea Grass	Duck	403**
GRW	9472	Martinique Surf	Silver	420**
GRW	9473	Martinique Coral	Jute	409 & 809
SLW	2420	Macau	Mocha	417 & 817
SLW	2423	Mali Tan	Duck	403**
SLW	2438	Suva	Mocha	417 & 817
SLW	2526	Salvador Driftwood	Steel	421 & 821
SLW	2527	Cancun Light Gray	Duck	403**
SLW	2528	Cancun Off White	Natural	402 & 802
SLW	2529	Cano Cream	Sand	406 & 806
SLW	2530	Madeira Green	Jute	409 & 809
SLW	2531	Rio Gray	Silver	420**

Price Group 4 Panel Track

SLW	2411	Jaipur Natural	Natural	402 & 802
SLW	2417	Lagos	Duck	403**
SLW	2419	Lomaloma	Duck	403**
SLW	2431	Santos Natural	Duck	403**
SLW	2433	Sintra Dust	Duck	403**
SLW	2441	Tunisia	Natural	402 & 802

Standard 5/8" twill edge-bindings are represented by the 4xx numbers.
Optional 1-1/2" twill edge-bindings are represented by the 8xx numbers.

** Note: Twill edge-binding colors White, Duck, Latte, and Silver are not available in 1-1/2" widths.

PRODUCT CHARACTERISTICS

Product Characteristics

- Panels do not hang perfectly flat.
- Panel materials may have (billowing/waviness) effect.
- Pattern matching from panel to panel cannot be guaranteed, although the factory will make every effort to match patterns as close as possible.

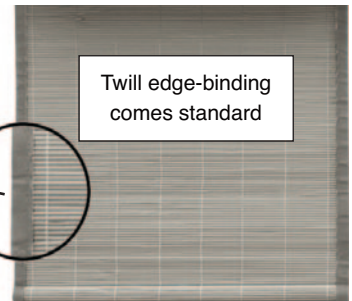
• **NOTE: Material Stretching** – twill edge-bindings come standard to minimize the stretching effect; however you should anticipate that panels may still **stretch up to 1" length**; also, each panel may stretch differently causing panel bottoms to not be perfectly level from panel to panel

OPTIONS AND FEATURES

3-Sided Cotton Twill Edge-Binding

- 5/8" twill edge-binding comes standard.
- Optional 1-1/2" twill edge-binding available at **5%** additional charge.
- On panel sides, twill edge-binding is folded & sewn.
- On panel top, twill edge-binding is attached to front side of panel.
- No twill edge-binding on bottom hem.
- Color-coordinated twill edge-binding by factory, or specify optional tape color.

Natural characteristics of binding results in slight waviness



Attached Translucent and Room-Darkening Liner – 10% Additional Charge

- Provides additional light and privacy control.
- Neutral appearance to the outside.
- Refer to sample book for fixed liner colors.

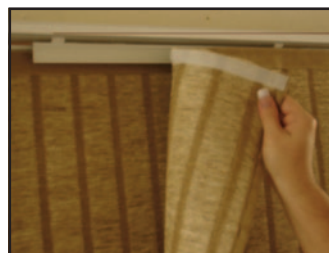
Family	Color #	Color Name
Translucent	LF-1001	White
Translucent	LF-1002	Ivory
Translucent	LF-1003	Khaki
Room Darkening	RD-3008	Beige-Deluxe
Room Darkening	RD-3009	Taupe-Deluxe
Room Darkening	RD-2001	White
Room Darkening	RD-2002	Ivory
Room Darkening	RD-2003	Khaki
Room Darkening	RD-2004	Brown
Room Darkening	RD-2006	Black

Translucent fixed privacy liners are made of 100% Cotton.

Room-Darkening and Blackout fixed privacy liners are made of 30% Cotton and 70% Polyester.

Panel Attachment

- Heavy-duty Velcro sewn to backside of material.
- Provides easy panel installation & removal from carrier glides.



Bottom Hem

- Weighted enclosed bottom hem.

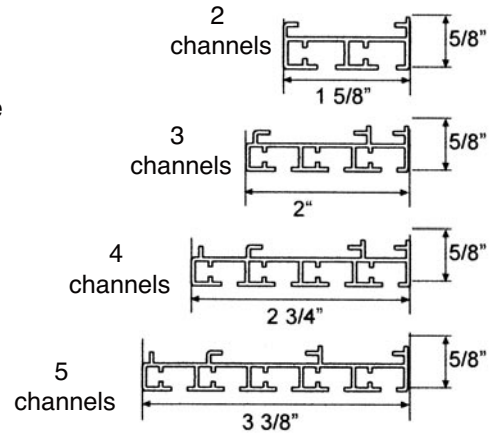


PRODUCT SPECIFICATIONS & CONFIGURATIONS

How To Order

Controls

- Must specify control type with order – cord, wand, free floating (with wands).
- Cord control length is 10" less than ordered length.
- Wand draw is available on all shades; Wood wand sizes: 36"
- Some configurations require dual wands. Lead panel on each side will come with a wand.



Panel Stack Configurations

- Specify panel configuration from choices below.
- Approximately 3" material overlap when panels in fully closed position.
- Each stacking side will have 1 fixed panel.
- Optional **“free-floating”** panels available at **10% Additional Charge**.
- Free-floating panels available on one-way up to 5 panels only.

No split-draw or multi-stack configurations.

Each panel comes with wand.

Panels not interconnected with each other; each panel hand operated independently and can be positioned any place along the track.

Number of Panels	Select Weaves (Overall Width)	Woven Wood & Grass Weaves (Overall Width)	Stack Position / Configurations ("Room View" - Each stacking side will have 1 fixed panel)		
			Single Stack Left Stack	Single Stack Right Stack	Split Stack Note: Come with Dual Wand (if ordered with wand control)
2 Panels (1 overlap)	33" - 89"	21" - 89"	2L – two panels stack left (2 channel track) 	2R – two panels stack right (2 channel track) 	NA
3 Panels (2 overlaps)	48" - 132"	30" - 132"	3L – three panels stack left (3 channel track) 	3R – three panels stack right (3 channel track) 	NA
4 Panels (2 or 3 overlaps depending on number of stacks)	63" - 175"	39" - 175"	4L – four panels stack left (4 channel track) 	4R – four panels stack right (4 channel track) 	2L2R – two panels stack left, two panels stack right (2 channel track)
5 Panels (4 overlaps)	78" - 218"	48" - 218"	5L – five panels stack left (5 channel track) 	5R – five panels stack right (5 channel track) 	NA
6 Panels (5 overlaps)	93" - 261"	57" - 261"	NA	NA	3L3R – three panels stack left, three panels stack right (3 channel track)
8 Panels (7 overlaps)	123" - 261"	75" - 261"	NA	NA	4L4R – four panels stack left, four panels stack right (4 channel track)
10 Panels (9 overlaps)	152" - 261"	93" - 261"	NA	NA	5L5R – five panels stack left, five panels stack right (5 channel track)

PRODUCT SPECIFICATIONS

Panel Track Headrail

- White painted aluminum profile.
- See mounting depth requirements for panel track sizes.

Panel Track Splice

- Automatically comes with any window opening over 144" wide – track ships from factory in (2) equal size pieces.
- Recommended (request when placing order) with window openings over 100" wide to reduce risk of freight damage and to provide easier handling by installers.
- Splice plate easily & securely connects separate tracks together to operate as a single track unit.
- Installers prefer the convenience of handling smaller tracks onto the jobsite, then connecting together at installation.



Panel Size / Stacking Width

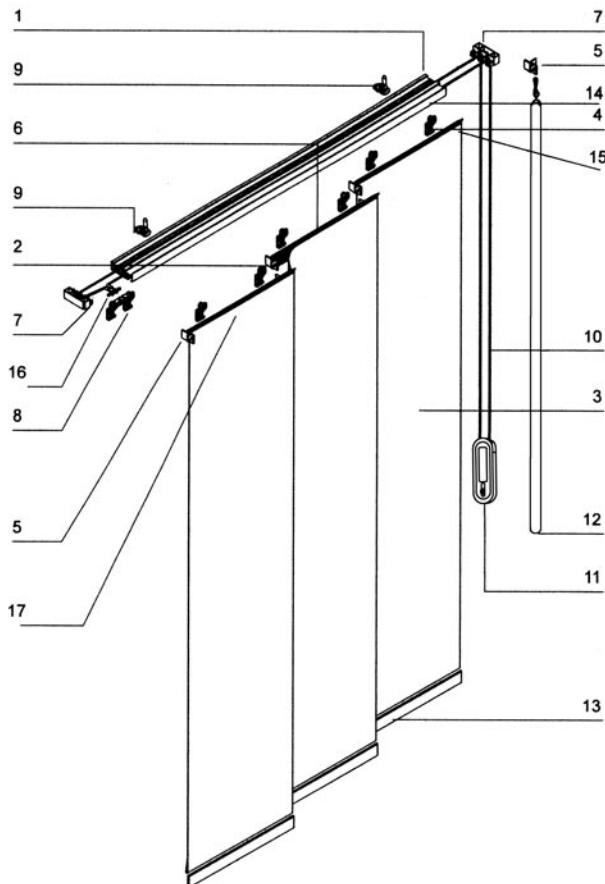
- **18" Minimum Panel Width – Select Weaves**
- **12" Minimum Panel Width – all other styles**
- **46" Maximum Panel Width**
- Individual panel size varies depending on overall shade width & panel configuration.

NOTE: The smaller the panel width, the narrower the stacking space.

To calculate stacking width; overall width + (number of overlaps x 3) then divide by number of panels.

Example # 1 – 3 panel 112" W + 6 (2 overlaps x 3 = 6) = 118 divide by 3 panels = 39-3/8" stacking / panel width

Example # 2 – 4 panel 112" W + 9 (3 overlaps x 3 = 9) = 121 divide by 4 panels = 30-1/4" stacking / panel width



- | | |
|-----------------------------------|----------------------------|
| 1. Aluminum Track | 10. Cord |
| 2. Sliding Panel w/Velcro | 11. Tensioner |
| 3. Woven Material | 12. Control Wand |
| 4. Support w/Needle | 13. Flat Weight |
| 5. Double L Bracket Angle | 14. Panel Stop Screw |
| 6. L-Bracket Angle | 15. End Cap |
| 7. Channel Guide | 16. Brass Cord Locking Nut |
| 8. Double Support (front or Back) | 17. Velcro Velour |
| 9. Installation Clip | 18. Splice (not pictured) |

NOTE: Panel Tracks over 144" wide are spliced together at installation.

- ② **ELI**
2104 Nagoya Harvest
- ② **GRW**
9474 Celebes Cornsilk
9476 Celebes Ivory
9475 Celebes Seashell
9410 Coban Gray
2305 Coban Parchment
2337 Singapore Bisque
2339 Singapore Cotton
9450 Singapore Gray
2338 Singapore Talc
- ② **TER**
2011 Sonora Desert

Price Group 1

2 PANEL ② min width = 21"

WIDTH TO:	36"	48"	60"	72"	84"	89"
HEIGHT TO:						
36"	\$394	449	511	591	648	670
48"	438	502	575	664	726	761
60"	487	555	635	745	814	845
72"	533	619	710	825	909	951
84"	571	664	761	882	966	1013
96"	597	703	801	940	1033	1079
108"	635	739	852	995	1097	1148
Track	252	277	306	350	374	385

3 PANEL ② min width = 30"

WIDTH TO:	36"	48"	60"	72"	84"	96"	108"	120"	132"
HEIGHT TO:									
36"	\$482	538	600	684	745	798	865	953	1008
48"	531	595	668	763	834	909	969	1064	1137
60"	580	657	739	843	929	997	1077	1188	1276
72"	635	721	810	924	1024	1110	1196	1320	1424
84"	670	770	867	991	1104	1196	1291	1426	1504
96"	706	818	920	1042	1161	1263	1380	1495	1621
108"	739	852	958	1101	1218	1340	1451	1594	1714
Track	319	343	374	420	451	476	507	558	586

4 PANEL ② min width = 39"

WIDTH TO:	48"	60"	72"	84"	96"	108"	120"	132"	144"	156"	168"	175"
HEIGHT TO:												
36"	\$619	677	770	836	902	958	1055	1119	1176	1274	1331	1360
48"	684	754	858	929	995	1070	1183	1254	1316	1426	1479	1530
60"	748	825	949	1024	1108	1183	1300	1398	1466	1568	1658	1696
72"	814	909	1033	1128	1225	1316	1431	1537	1634	1745	1829	1888
84"	867	958	1099	1201	1289	1402	1550	1645	1749	1868	1981	2021
96"	913	1017	1159	1265	1375	1484	1627	1747	1857	1988	2105	2151
108"	955	1077	1223	1338	1462	1583	1720	1848	1963	2100	2224	2273
Track	\$407	438	489	520	546	580	639	664	695	750	779	790

PANEL ONLY ② min width = 12" max width = 46"

WIDTH TO:	12"	24"	30"	36"	46"
HEIGHT TO:					
36"	\$124	162	186	208	244
48"	140	184	213	241	281
60"	155	208	241	275	321
72"	171	233	270	308	361
84"	182	250	297	336	396
96"	195	272	317	361	429
108"	206	288	339	387	458

5 - 10 PANEL ② 5 Panel min width = 48" ② 6 Panel min width = 57" ② 8 Panel min width = 75" ② 10 Panel min width = 93"

WIDTH TO:	72"	84"	96"	108"	120"	132"	144"	156"	168"	180"	192"	204"	216"	228"	240"	252"	261"
HEIGHT TO:																	
36"	\$790	854	913	982	1068	1119	1183	1274	1331	1400	1466	1550	1603	1672	1756	1826	1871
48"	869	940	1006	1081	1168	1241	1316	1411	1479	1552	1630	1720	1780	1853	1944	2028	2078
60"	944	1024	1108	1183	1285	1380	1464	1568	1643	1725	1809	1913	1977	2063	2165	2255	2308
72"	1033	1128	1225	1316	1415	1519	1610	1725	1809	1897	1990	2107	2204	2273	2383	2483	2543
84"	1097	1188	1289	1384	1512	1608	1705	1829	1937	2032	2136	2257	2335	2434	2554	2660	2724
96"	1143	1252	1358	1466	1588	1705	1813	1944	2036	2162	2244	2375	2481	2585	2715	2826	2894
108"	1201	1322	1431	1543	1678	1782	1917	2056	2151	2284	2370	2509	2627	2730	2868	2985	3060
Track	\$564	600	633	666	728	756	801	849	887	929	955	1017	1050	1077	1134	1168	1201

Separate Valance

WIDTH TO:	36"	48"	60"	72"	84"	96"	108"	120"	132"	144"
Inside 6" Valance	\$78	93	144	166	195	228	248	275	317	334
Outside 6" Valance	98	120	173	195	228	259	283	312	354	374
Each Additional 3" Height	16	20	25	27	31	34	36	38	42	42
Add Valance Liner	29	38	49	60	71	82	89	96	109	115

② **CUL**
2072 Hunan

② **EXO**
2052 Serengeti Sunrise
2053 Serengeti Cocoa
2150 Sumatra Surprise
2232 Taos

② **GRW**
2304 Caracas Tortoise
2310 Granada Cinnamon
2311 Granada Ginger
2312 Granada Nutmeg
9420 Granada Bark
2331 Nassau Bark
9440 Nassau Cocoa
2340 St. Lucia Sand
2343 St. Lucia Storm
2345 Zaire Camel

NOTE: Select Weave fabrics maximum height is 96". Panel Tracks over 144" wide are spliced together at installation.

Price Group 2

2 PANEL ② min width = 21"

WIDTH TO:	36"	48"	60"	72"	84"	89"
HEIGHT TO:						
36"	\$418	480	546	628	695	726
48"	467	538	619	721	798	827
60"	520	604	701	812	900	942
72"	580	681	783	911	1013	1059
84"	619	734	838	984	1095	1143
96"	657	776	898	1048	1176	1227
108"	697	823	960	1123	1256	1309
Track	252	277	306	350	374	385

3 PANEL ② min width = 30"

WIDTH TO:	36"	48"	60"	72"	84"	96"	108"	120"	132"
HEIGHT TO:									
36"	\$502	573	639	726	796	863	929	1017	1077
48"	558	642	721	821	900	986	1059	1159	1238
60"	619	710	798	924	1013	1108	1190	1311	1391
72"	686	790	889	1017	1130	1232	1336	1470	1563
84"	734	847	951	1099	1227	1331	1455	1585	1694
96"	772	889	1020	1170	1291	1435	1554	1703	1826
108"	805	942	1079	1247	1378	1526	1654	1815	1952
Track	319	343	374	420	451	476	507	558	586

4 PANEL ② min width = 39"

WIDTH TO:	48"	60"	72"	84"	96"	108"	120"	132"	144"	156"	168"	175"
HEIGHT TO:												
36"	\$653	721	810	880	949	1024	1123	1194	1267	1367	1435	1464
48"	728	810	913	1000	1070	1154	1278	1356	1435	1532	1623	1656
60"	805	894	1015	1119	1212	1289	1433	1524	1614	1738	1822	1877
72"	887	993	1128	1232	1340	1451	1594	1692	1798	1948	2045	2105
84"	944	1059	1205	1331	1453	1566	1727	1833	1946	2112	2215	2280
96"	993	1126	1280	1400	1539	1676	1837	1970	2089	2244	2355	2450
108"	1053	1190	1351	1493	1638	1789	1966	2085	2235	2401	2518	2622
Track	\$407	438	489	520	546	580	639	664	695	750	779	790

② min width = 12"
max width = 46"

PANEL ONLY

WIDTH TO:	12"	24"	30"	36"	46"
HEIGHT TO:					
36"	\$131	173	202	230	266
48"	149	202	233	268	312
60"	164	228	268	308	361
72"	184	259	301	345	407
84"	199	281	332	381	451
96"	213	306	356	414	491
108"	226	328	387	447	529

5 - 10 PANEL 5 Panel ② min width = 48"
8 Panel ② min width = 75"

6 Panel ② min width = 57"
10 Panel ② min width = 93"

WIDTH TO:	72"	84"	96"	108"	120"	132"	144"	156"	168"	180"	192"	204"	216"	228"	240"	252"	261"
HEIGHT TO:																	
36"	\$829	896	966	1037	1123	1194	1263	1367	1435	1506	1577	1667	1731	1809	1809	2140	2209
48"	918	1000	1081	1168	1263	1340	1431	1532	1605	1687	1769	1873	1941	2028	2028	2448	2485
60"	1017	1119	1201	1289	1417	1506	1592	1703	1802	1893	1988	2100	2178	2280	2280	2737	2792
72"	1123	1221	1325	1435	1561	1656	1769	1893	2005	2105	2209	2335	2445	2543	2543	3055	3146
84"	1196	1318	1424	1530	1672	1773	1899	2028	2149	2255	2364	2505	2627	2753	2753	3307	3407
96"	1258	1386	1508	1638	1778	1886	2041	2178	2308	2425	2545	2695	2792	2929	2929	3522	3630
108"	1336	1464	1605	1729	1879	2016	2160	2306	2445	2565	2695	2852	2989	3131	3131	3767	3882
Track	\$564	600	633	666	728	756	801	849	887	929	955	1017	1050	1077	1134	1168	1201

Separate Valance

WIDTH TO:	36"	48"	60"	72"	84"	96"	108"	120"	132"	144"
Inside 6" Valance	\$78	93	144	166	195	228	248	275	317	334
Outside 6" Valance	98	120	173	195	228	259	283	312	354	374
Each Additional 3" Height	16	20	25	27	31	34	36	38	42	42
Add Valance Liner	29	38	49	60	71	82	89	96	109	115

- ② **EXO**
2054 Indo Chic
2068 Kiribati Jungle
2069 Kiribati Rainforest
- ② **GRW**
2323 Luzon Whisper
2324 Luzon Cornsilk
2325 Luzon Greige
9400 St. Kitts Dune
9401 St. Kitts Greywood
9460 Aruba Summer
9461 Aruba Straw
9462 Aruba Sand Dune
9463 Aruba Driftwood
9464 Aruba Cafe
9470 Martinique White Wash
9471 Martinique Sea Grass
9472 Martinique Surf
9473 Martinique Coral
- ① **SLW**
2527 Cancun Light Gray
2528 Cancun Off White
2529 Cano Cream
2420 Macau
2530 Madeira Green
2423 Mali Tan
2531 Rio Gray
2526 Salvador Driftwood
2438 Suva
2436 Tai White

NOTE: Select Weave fabrics maximum height is 96". Panel Tracks over 144" wide are spliced together at installation.

Price Group 3

2 PANEL ① min width = 33"
② min width = 21"

WIDTH TO:	36"	48"	60"	72"	84"	89"
HEIGHT TO:						
36"	\$420	491	562	655	719	745
48"	476	562	642	756	834	863
60"	538	637	734	858	942	993
72"	600	710	825	960	1070	1112
84"	646	765	894	1048	1168	1216
96"	692	825	964	1123	1252	1316
108"	734	882	1037	1203	1347	1411
Track	252	277	306	350	374	385

3 PANEL ① min width = 48"
② min width = 30"

WIDTH TO:	36"	48"	60"	72"	84"	96"	108"	120"	132"
HEIGHT TO:									
36"	\$511	577	650	748	821	891	955	1053	1128
48"	573	655	737	847	940	1017	1101	1210	1294
60"	635	734	838	953	1059	1165	1258	1382	1482
72"	710	821	933	1070	1188	1309	1411	1561	1661
84"	761	880	1008	1157	1291	1415	1539	1685	1820
96"	807	942	1081	1254	1384	1524	1658	1826	1961
108"	852	997	1152	1331	1473	1623	1782	1948	2096
Track	319	343	374	420	451	476	507	558	586

4 PANEL ① min width = 63"
② min width = 39"

WIDTH TO:	48"	60"	72"	84"	96"	108"	120"	132"	144"	156"	168"	175"
HEIGHT TO:												
36"	\$657	734	834	905	978	1048	1163	1236	1311	1411	1479	1526
48"	745	825	940	1031	1115	1194	1320	1415	1499	1612	1689	1758
60"	832	920	1055	1154	1260	1362	1497	1605	1703	1826	1932	1988
72"	924	1033	1172	1296	1406	1530	1680	1802	1910	2045	2187	2246
84"	986	1112	1265	1400	1526	1654	1822	1950	2070	2215	2368	2434
96"	1037	1181	1356	1497	1647	1787	1959	2098	2224	2401	2543	2613
108"	1112	1269	1440	1592	1756	1908	2094	2244	2377	2567	2722	2797
Track	\$407	438	489	520	546	580	639	664	695	750	779	790

PANEL ONLY ① min width = 18"
② min width = 12"
max width = 46"

WIDTH TO:	12"	24"	30"	36"	46"
HEIGHT TO:					
36"	\$133	180	213	239	283
48"	153	210	246	281	334
60"	168	244	283	328	387
72"	193	275	321	372	443
84"	204	301	356	407	491
96"	222	328	387	447	542
108"	237	352	416	485	584

5 - 10 PANEL **5 Panel** ① min width = 78" ② min width = 48" **6 Panel** min width = 93" ② min width = 57"
8 Panel ① min width = 123" ② min width = 75" **10 Panel** min width = 152" ② min width = 93"

WIDTH TO:	72"	84"	96"	108"	120"	132"	144"	156"	168"	180"	192"	204"	216"	228"	240"	252"	261"
HEIGHT TO:																	
36"	\$871	947	1024	1097	1190	1263	1347	1453	1526	1601	1678	1776	1826	1915	2023	2092	2140
48"	978	1070	1148	1234	1351	1446	1524	1645	1725	1811	1899	2021	2112	2171	2315	2370	2448
60"	1086	1199	1285	1393	1528	1623	1729	1842	1952	2047	2151	2277	2390	2492	2596	2708	2792
72"	1221	1320	1431	1546	1698	1802	1937	2083	2207	2315	2430	2549	2675	2797	2912	3055	3146
84"	1291	1426	1554	1669	1822	1950	2100	2235	2368	2507	2631	2761	2901	3033	3155	3307	3407
96"	1371	1510	1647	1806	1959	2098	2235	2401	2543	2697	2830	2971	3120	3263	3396	3557	3666
108"	1464	1605	1756	1908	2094	2244	2392	2567	2722	2881	3029	3177	3338	3486	3630	3805	3922
Track	\$564	600	633	666	728	756	801	849	887	929	955	1017	1050	1077	1134	1168	1201

Separate Valance

WIDTH TO:	36"	48"	60"	72"	84"	96"	108"	120"	132"	144"
Inside 6" Valance	\$78	93	144	166	195	228	248	275	317	334
Outside 6" Valance	98	120	173	195	228	259	283	312	354	374
Each Additional 3" Height	16	20	25	27	31	34	36	38	42	42
Add Valance Liner	29	38	49	60	71	82	89	96	109	115

NOTE: Select Weave fabrics maximum height is 96". Panel Tracks over 144" wide are spliced together at installation.

- ② **CUL**
2070 Tobago
2085 Antiqua Maze
2086 Antiqua Surf
- ② **ELI**
2153 Sakura Etude
- ② **EXO**
2096 Zulu
- ① **SLW**
2411 Jaipur Natural
2417 Lagos
2419 Lomaloma
2431 Santos Natural
2433 Sintra Dust
2441 Tunisia

Price Group 4

2 PANEL ① min width = 33"
② min width = 21"

WIDTH TO:	36"	48"	60"	72"	84"	89"
HEIGHT TO:						
36"	\$524	613	703	821	898	933
48"	595	703	803	944	1044	1077
60"	672	796	916	1073	1179	1243
72"	748	887	1033	1201	1338	1391
84"	807	955	1117	1309	1459	1519
96"	865	1031	1205	1406	1566	1645
108"	918	1101	1296	1504	1683	1764
Track	252	277	306	350	374	385

3 PANEL ① min width = 48"
② min width = 30"

WIDTH TO:	36"	48"	60"	72"	84"	96"	108"	120"	132"
HEIGHT TO:									
36"	\$637	721	814	936	1024	1112	1196	1316	1411
48"	714	818	920	1057	1176	1272	1378	1512	1614
60"	794	916	1048	1192	1322	1457	1572	1727	1853
72"	887	1026	1168	1338	1484	1634	1762	1952	2078
84"	951	1101	1260	1446	1614	1769	1924	2105	2275
96"	1011	1176	1351	1566	1729	1904	2074	2282	2452
108"	1066	1247	1440	1665	1840	2028	2226	2434	2620
Track	319	343	374	420	451	476	507	558	586

4 PANEL ① min width = 63"
② min width = 39"

WIDTH TO:	48"	60"	72"	84"	96"	108"	120"	132"	144"	156"	168"	175"
HEIGHT TO:												
36"	\$823	918	1042	1132	1221	1311	1453	1543	1636	1762	1848	1906
48"	931	1033	1174	1287	1393	1493	1650	1769	1875	2014	2112	2198
60"	1039	1152	1320	1442	1577	1705	1871	2008	2127	2280	2417	2485
72"	1157	1289	1466	1619	1756	1913	2100	2251	2388	2554	2733	2810
84"	1234	1389	1581	1747	1906	2065	2275	2436	2587	2768	2960	3042
96"	1296	1475	1694	1871	2058	2235	2448	2624	2777	3000	3179	3268
108"	1389	1585	1800	1990	2193	2386	2618	2806	2969	3208	3400	3495
Track	\$407	438	489	520	546	580	639	664	695	750	779	790

PANEL ONLY ① min width = 18"
② min width = 12"
max width = 46"

HEIGHT TO:	12"	24"	30"	36"	46"
36"	\$166	224	266	299	354
48"	188	264	308	350	418
60"	210	303	354	409	485
72"	239	341	401	465	553
84"	255	376	445	511	615
96"	277	409	485	558	677
108"	297	440	518	604	730

5 - 10 PANEL 5 Panel ① min width = 78" ② min width = 48"
8 Panel ① min width = 123" ② min width = 75" 6 Panel ① min width = 93" ② min width = 57"
10 Panel ① min width = 152" ② min width = 93"

WIDTH TO:	72"	84"	96"	108"	120"	132"	144"	156"	168"	180"	192"	204"	216"	228"	240"	252"	261"
HEIGHT TO:																	
36"	1088	1183	1280	1371	1488	1579	1683	1818	1906	2001	2096	2220	2282	2394	2529	2616	2673
48"	1223	1338	1435	1543	1687	1806	1904	2056	2156	2264	2375	2525	2638	2715	2892	2963	3058
60"	1356	1499	1605	1742	1910	2028	2162	2302	2439	2560	2688	2848	2987	3113	3246	3385	3489
72"	1526	1650	1789	1935	2123	2251	2421	2602	2759	2894	3038	3186	3343	3498	3639	3818	3933
84"	1614	1782	1944	2085	2275	2436	2627	2795	2960	3133	3285	3453	3626	3792	3944	4134	4258
96"	1714	1890	2058	2257	2448	2624	2795	3000	3179	3372	3537	3714	3898	4079	4242	4446	4581
108"	1829	2008	2193	2386	2618	2806	2989	3208	3400	3599	3787	3973	4172	4357	4536	4755	4901
Track	\$564	600	633	666	728	756	801	849	887	929	955	1017	1050	1077	1134	1168	1201

Separate Valance

WIDTH TO:	36"	48"	60"	72"	84"	96"	108"	120"	132"	144"
Inside 6" Valance	\$78	93	144	166	195	228	248	275	317	334
Outside 6" Valance	98	120	173	195	228	259	283	312	354	374
Each Additional 3" Height	16	20	25	27	31	34	36	38	42	42
Add Valance Liner	29	38	49	60	71	82	89	96	109	115

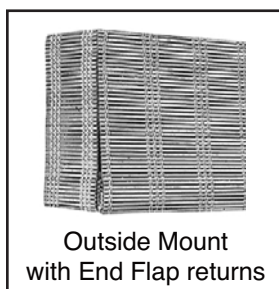
PANEL TRACK OPTIONS

Separate Valance Only

- Minimum width: 12" net
- Maximum width: 144"
- Standard valance height 6" – longer heights available (maximum height 24")



- 3/4" Dust Cover depth.
- Add liner to valance only at extra charge.
- Simple installation; pre-drilled opening in headrail; mount with hex head screws.



- Standard return depth 6".
- Minimum return depth: 5", maximum return depth 7".
- Add liner to valance only at extra charge.
- Simple installation; pre-drilled opening in headrail; mount with L-Bracket attached to a threaded bolt and wing nut.

Separate Valance

WIDTH TO:	36"	48"	60"	72"	84"	96"	108"	120"	132"	144"
Inside 6" Valance	\$78	93	144	166	195	228	248	275	317	334
Outside 6" Valance	98	120	173	195	228	259	283	312	354	374
Each Additional 3" Height	16	20	25	27	31	34	36	38	42	42
Add Valance Liner	29	38	49	60	71	82	89	96	109	115

Additional Surcharges (Add to base price of Panel Track)

LINERS

- Translucent lineradd 10%
- Room-Darkening lineradd 10%

COTTON TWILL EDGE-BINDING

- 5/8" trim come standardno charge
- 1 1/2" trim sizeadd 5%

MEASURING & INSTALLATION SPECIFICATIONS

Panel Track Brackets



(A)

Inside / Ceiling Mount
Used on 2 and 3 channel track
Bracket Clip
(Part #181-CA-00700)



(B)

Inside / Ceiling Mount
Used on 4 and 5 channel track
Bracket Clip
(Part #181-CA-00600)



(C)

Outside / Wall Mount
Used on all tracks
Installation Bracket
(Part #30-CA-06600)

Mounting Depth Requirements

Number Track Channels	IB Mount Flush Mount Depth	IB Mount W/ Valance Flush Mount Depth	IB Mount Minimum Depth	OB Mount Wall Clearance	OB Mount Overall Projection
2	2-1/2"	3-1/2"	1-3/4"	2-1/2" – 3-1/8"	4-1/8" – 4-3/4"
3	2-3/4"	3-3/4"	1-3/4"	2-1/2" – 3-1/8"	4-1/2" – 5-1/4"
4	3-1/2"	4-1/2"	1-3/4"	2-1/2" – 3-1/8"	5-1/4" – 6"
5	3-1/2"	4-1/2"	2"	1-3/4" – 4"	5-1/8" – 7-3/8"

Deductions

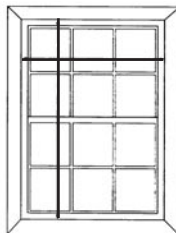
	IB Mount	OB Mount
Headrail Width	- 1/4"	net
Panel Height Allowance	- 1/2"	net
Valance	- 1/8"	+2"

How To Measure

Note: Projection of window handles / cranks could interfere with panel track panels . . . refer to "mounting depth requirements" above for projection clearance

Inside Mount (IB) Installation - Window

To find width: Measure the opening across the top where the headrail is to be installed from inside of jamb on left to inside of jamb on right. **Round the measurement down to the nearest 1/8". Refer to mounting depth requirements.**

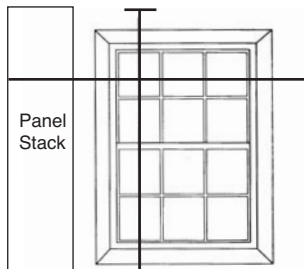


Inside Mount

To find height: Measure from the inside top of the opening on the left, at the center, and on the right to the sill; **round the measurement down to the nearest 1/8" and note the smallest dimension. Do not make any allowances: the factory will make all adjustments so the headrail will fit the opening properly and the panels will clear the sill by 1/2".**

Outside Mount (OB) Installation - Window

To find width: Measure the width of the area to be covered at the place where the headrail will be installed to the nearest 1/8". Blind should overlap opening at least 4" on each side to ensure privacy. To calculate stack dimensions, refer to page 6.



Outside Mount

To find height: Measure the height of the area to be covered and **round down to the nearest 1/8"**. Blind should extend **at least 3" above and 3" below opening or window moulding.**

Valance Brackets



Outside Mount
3" x 3" L-bracket
for 3-1/4" dust cap



Inside Mount
Hex Head Screw
1-1/2" #8

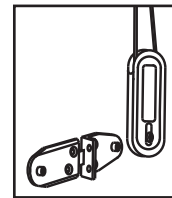


WARNING

Young children can STRANGLE in cord loops. They can also wrap cords around their necks and STRANGLE.

Child Safety Cord Tensioner

Attach the cord tensioner on the cord loop to the wall or window casement. This can prevent children from pulling cord loops around their necks.



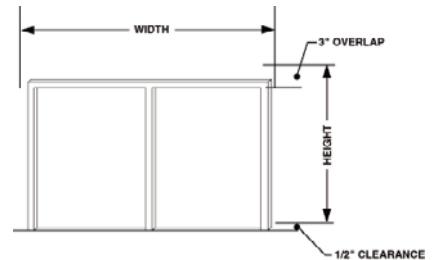
Outside Mount (OB) Installation - Patio Door / Room Divider

To find width: Measure the width of the area to be covered at the place where the headrail will be installed to the nearest 1/8". Blind should overlap opening at least 4" on each side.

To find height: Measure the height of the area to be covered and **round down to the nearest 1/8"**. Blind should extend **at least 3" above opening or window moulding.**

For ceiling-to-floor installations, deduct 1/2" for proper clearance.

Specifying OB measurement means the factory makes no allowances.



Special Measuring & Installation Considerations

Stretching of panel materials is probable:

IB Mount - we do not recommend IB mount due to probable stretching

OB Mount - extra adjustment recommended for placement of mounting brackets above the floor to anticipate panel material stretching:

- Material can stretch up to 1" length