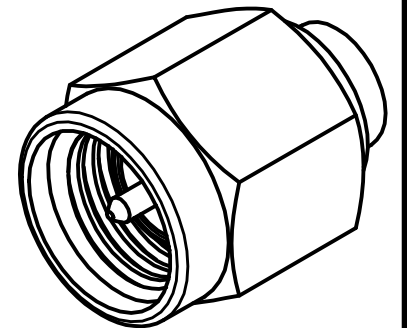
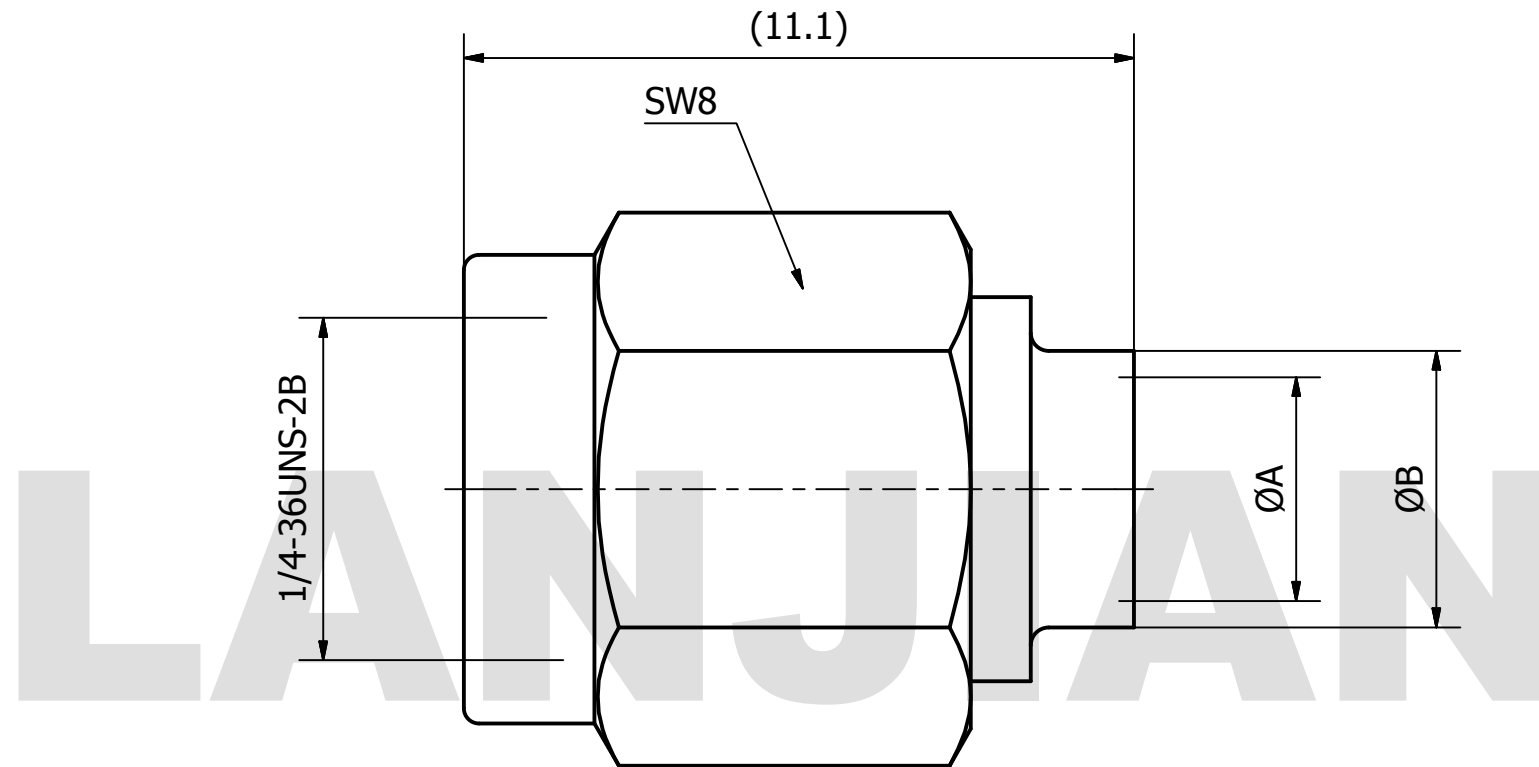


PRODUCT DATA SHEET



GCPZ3.650.A.0XX	TITLE	A	B
GCPZ3.650.A.019	SMA-J141	3.7	4.57
GCPZ3.650.A.027	SMA-J-MF141	3.8	5

MATERIAL:
 BODY: BRASS
 CONTACT: BERYLLIUM COPPER PER ASTM B196.
 ALLOY NO. UNS C17300
 INSULATOR: PTFE

PERFORMANCE:
 IMPEDANCE: 50 OHMS
 FREQUENCY: DC TO 18 GHz
 VSWR: ≤ 1.30

THIS DOCUMENT CONTAINS CONFIDENTIAL AND PROPRIETARY INFORMATION THAT CANNOT BE REPRODUCED OR DIVULGED, IN WHOLE OR IN PART, WITHOUT WRITTEN AUTHORIZATION FROM "LANJIAN ELECTRONICS"

MATERIAL :			
UNLESS OTHERWISE SPECIFIED: DIMENSIONS IN MM			
TOLERANCES :			
X.X	± 0.20	ANGULAR : ± 1°	DEBURR AND BREAK SHARP EDGES
X.XX	± 0.10	FILLETS R/C : ± 0.10	
X.XXX	± 0.01	SURFACE FINISH : Ra 1.6	
	NAME	DATE	SIGNATURE
DRAWN	YaoJiang	08/14/2018	
CHK'D	HongZhongYan	08/14/2018	
APPV'D	HongZhongYan	08/14/2018	
MFG			

LANJIAN ELECTRONICS
 38 Hengtong Road, Xinqu Dingmao
 Zhenjiang, 212009, Jiangsu, P. R. China

TITLE
**SMA-J141
 SMA-J-MF141
 pin cable connector**

PROJECTION	SIZE	SCALE
	A3	8 : 1

DWG No.	REV.
GCPZ3.650.A.0XX	A
DO NOT SCALE THE DRAWING	
PAGE	1 / 1