

# SPECIFICATIONS

## Extender Trim for MediaHub Mini

CKIT-MHMN-EXT2 (Aluminium)

CKIT-MHMN-EXT1 (Black)

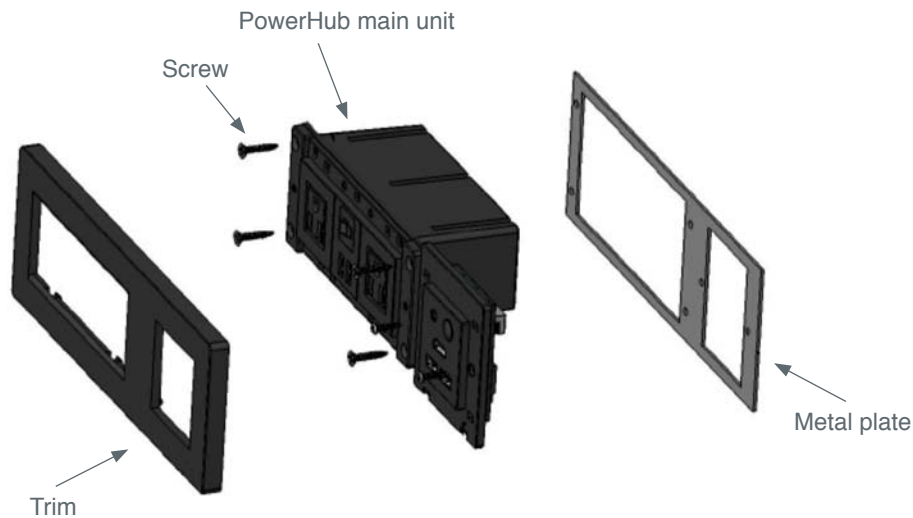
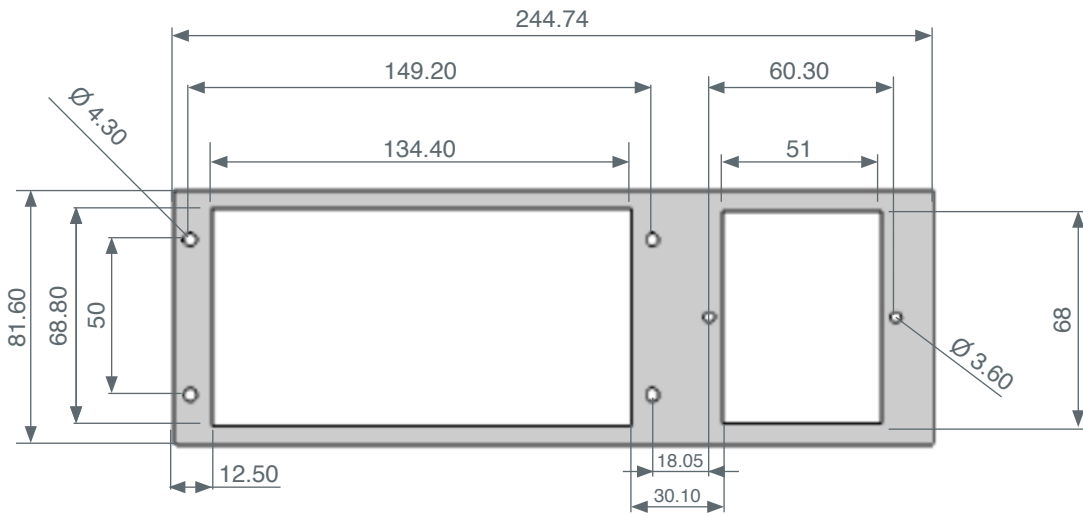
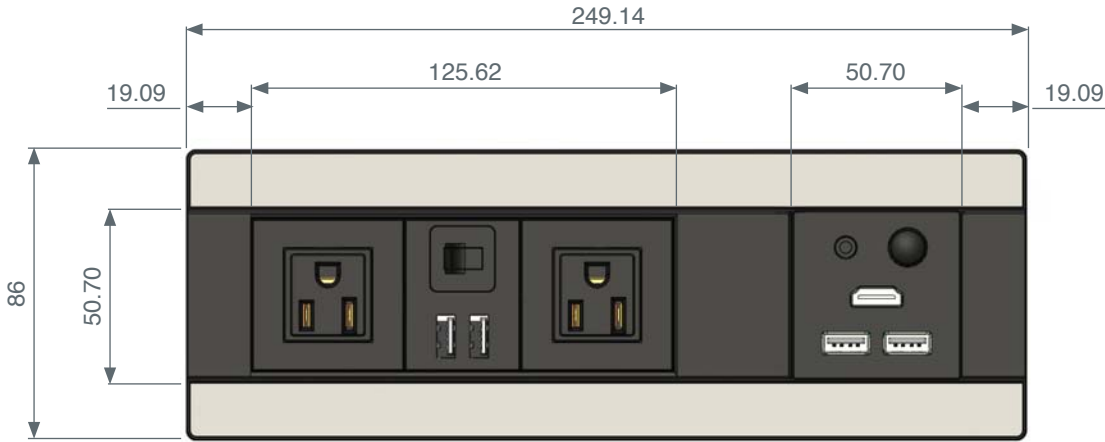
Flush-mount adapter plate & Trim combines TeleAdapt MediaHub Mini connectivity panel with PowerHub for an all-in-one connectivity station for the hotel room. MediaHub plus PowerHub offers all the inputs your guests need to enjoy their own content from any mobile device through the in-room TV while providing conveniently located power and Ethernet or USB outlets.



- Adapter Plate combines MediaHub Mini and PowerHub for complete multimedia connectivity station for the guest-room.
- MediaHub Mini provides Audio / Video and USB Charging connections for guest devices (Laptops, Tablets, Smartphones, Game Consoles and more), including HDMI, Audio, and Bluetooth Wireless Audio.
- PowerHub presents two easy-to-find guest-facing power outlets, available in choice of US, UK or EU sockets and optionally an Ethernet jack - or USB charging ports.
- Designed to flush-mount into case-goods.
- Prevents guests tampering with existing TV connections and fixture wall plugs.
- Includes mounting plate and screws, front trim available with brushed nickel accents or in pure black. CKIT-MHMN-EXT2 (Aluminium), CKIT-MHMN-EXT1 (Black)
- MediaHub and PowerHub panels sold separately.

# SPECIFICATIONS

## Extender Trim for MediaHub Mini



visit our website at [www.teleadapt.com](http://www.teleadapt.com)

Keeping Your World Connected™ and MediaHub™ Mini, are trademarks of TeleAdapt, Inc. iPod® and iPhone® are registered trademarks of Apple Inc., registered in the U.S. and/or other countries.

CKIT-MHMN1-EXT\_03/2014.v1