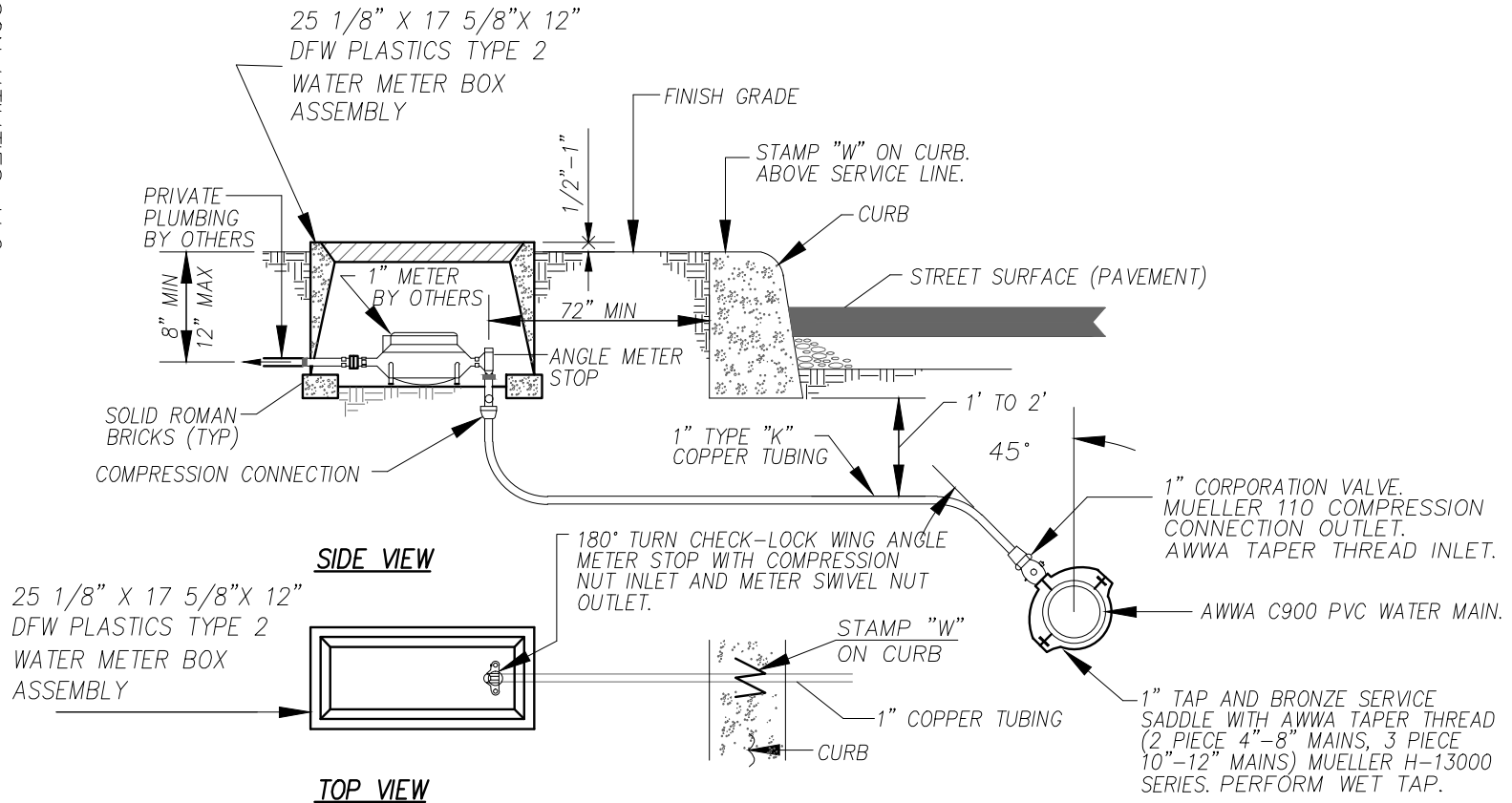


JOHNSON UTILITIES, LLC  
 CONSTRUCTION SPECIFICATIONS  
 REV 06/20



## 1" SINGLE WATER SERVICE INSTALLATION DETAIL

(OR APPROVED EQUAL)

N.T.S.

NOTE: ALL METER BOXES SHALL HAVE HOLE DRILLED  
 IN METER BOX COVER PER DETAIL JU-3106

JU-3100-A