

LITR - 600-2T - LOW INTENSITY TAXIWAY REFLECTOR

FEATURES

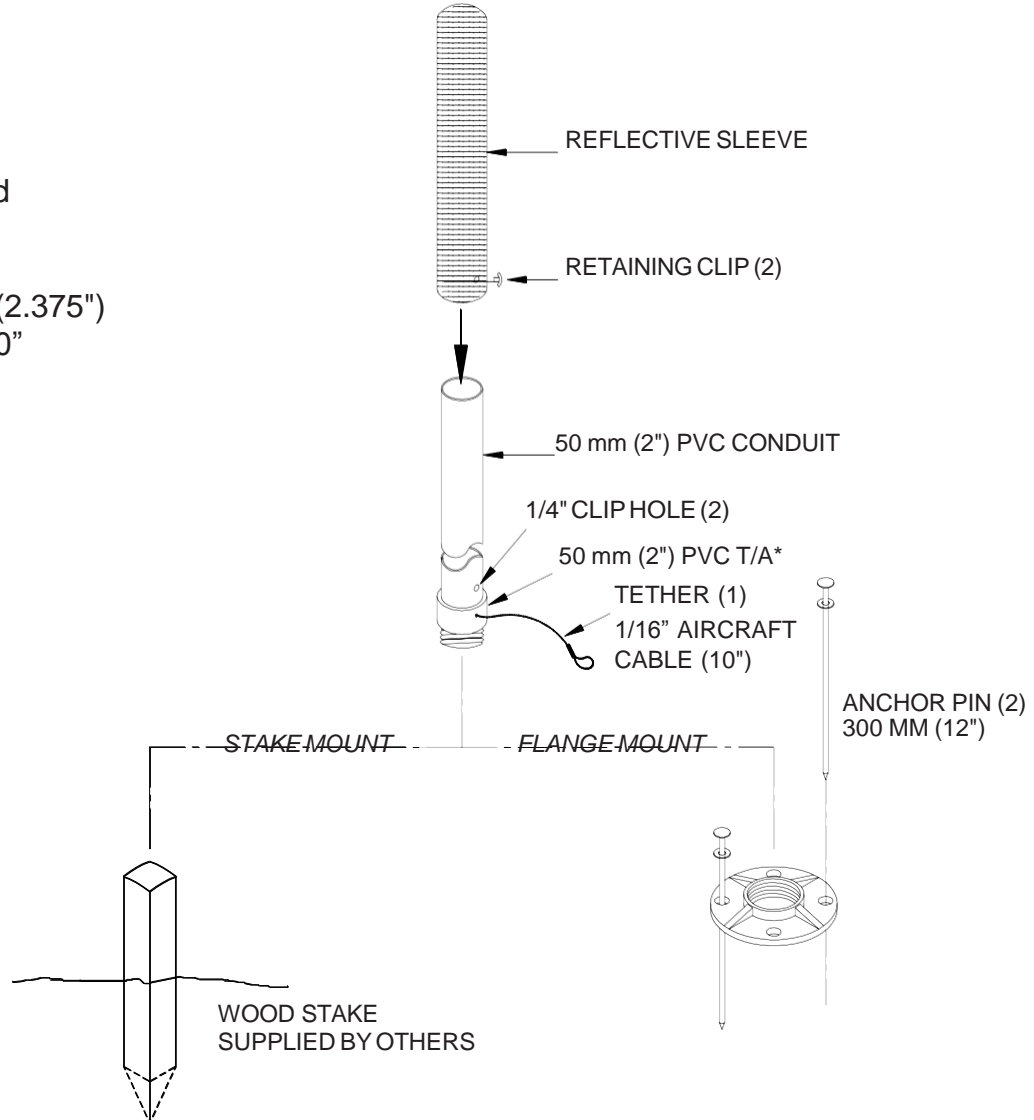
- Removable Reflective Sleeve
- Extremely Visible - Even Infrared
- Omnidirectional
- Frangible and Durable
- OAH 600 mm (24"), OD 60 mm (2.375")
- Aircraft Cable Tether - 1/16" X 10"

ORDERING INFORMATION

LITR 6002T

Blue — **B**
 Yellow — **Y**
 Red — **R**
 Green — **G**
 White — **W**

Stake Mount — **1**
 With PVC T/A — **2**
 With Flange & Pins — **3**
 Sleeve Only — **SL**



Creation Date: 04/09/01

Approved By:

Revisions: 11/12/02SM
 Add Tether.

Rev. No.: 03

Rev. Approval:

Drawn By: Steve McCarley

Approval Date:

Rev. Date:

Drawing No. 600-2T-B

rbi

RBI Worldwide Inc
 2539 N Balboa Ave Suite 115
 Tucson, Az 85705
 520-624-0042 Fax 520-624-0072

Cut Sheet

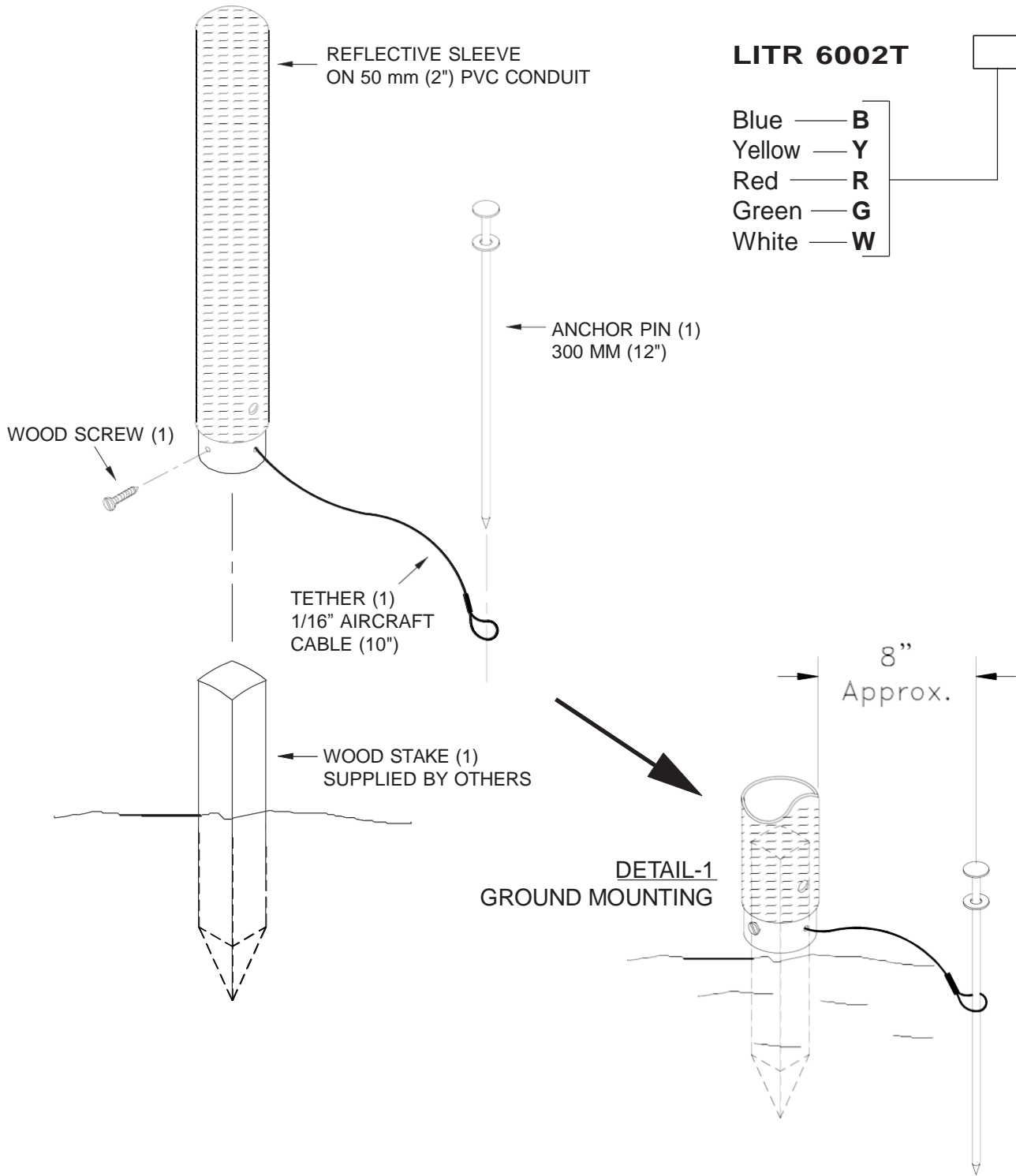
Model: **LITR 600-2T-X-1**
Stake Mount

ORDERING INFORMATION

LITR 6002T

1

- Blue — **B**
- Yellow — **Y**
- Red — **R**
- Green — **G**
- White — **W**



Creation Date: 10/29/02
Drawn By: Steve McCarley

Approved By:
Approval Date:

Revisions: 11/27/02SM
Show tether connected; Remove one wood screw.

Rev.No.: 05

Rev. Approval:

Rev. Date:



RBI Worldwide Inc
2539 N Balboa Ave Suite 115
Tucson, Az 85705
520-624-0042 Fax 520-624-0072

Cut Sheet

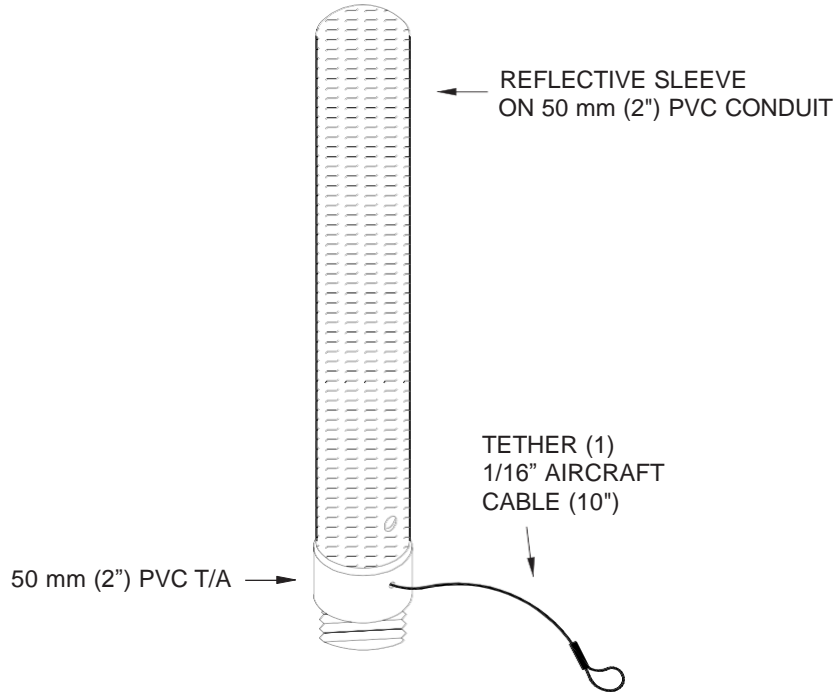
Model: **LITR 600-2T-X-2**
With PVC T/A

ORDERING INFORMATION

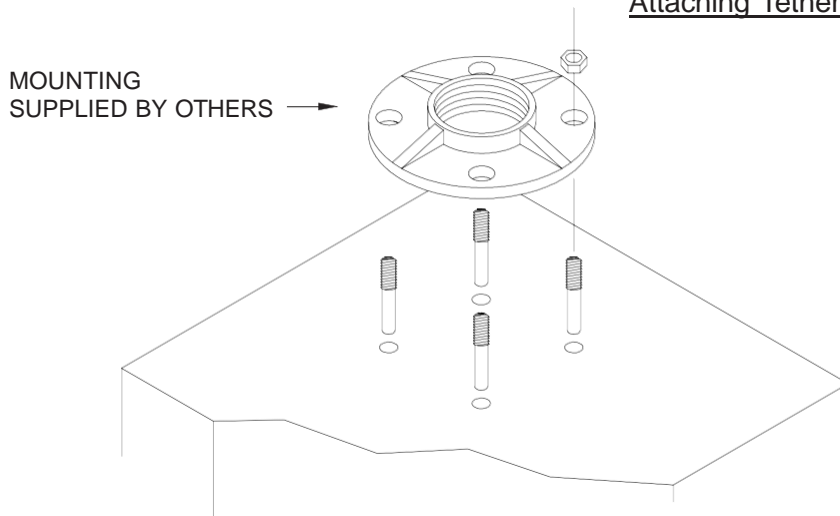
LITR 6002T

2

- Blue — **B**
- Yellow — **Y**
- Red — **R**
- Green — **G**
- White — **W**



Note: Tighten LITR To Existing Mounting Prior To Attaching Tether



Creation Date: 10/29/02
 Drawn By: Steve McCarley

Approved By:
 Approval Date:

Revisions: 11/12/02SM
 Misc. text changes.

Rev. No.: 04

Rev. Approval:

Rev. Date:



RBI Worldwide Inc
 2539 N Balboa Ave Suite 115
 Tucson, Az 85705
 520-624-0042 Fax 520-624-0072

Cut Sheet

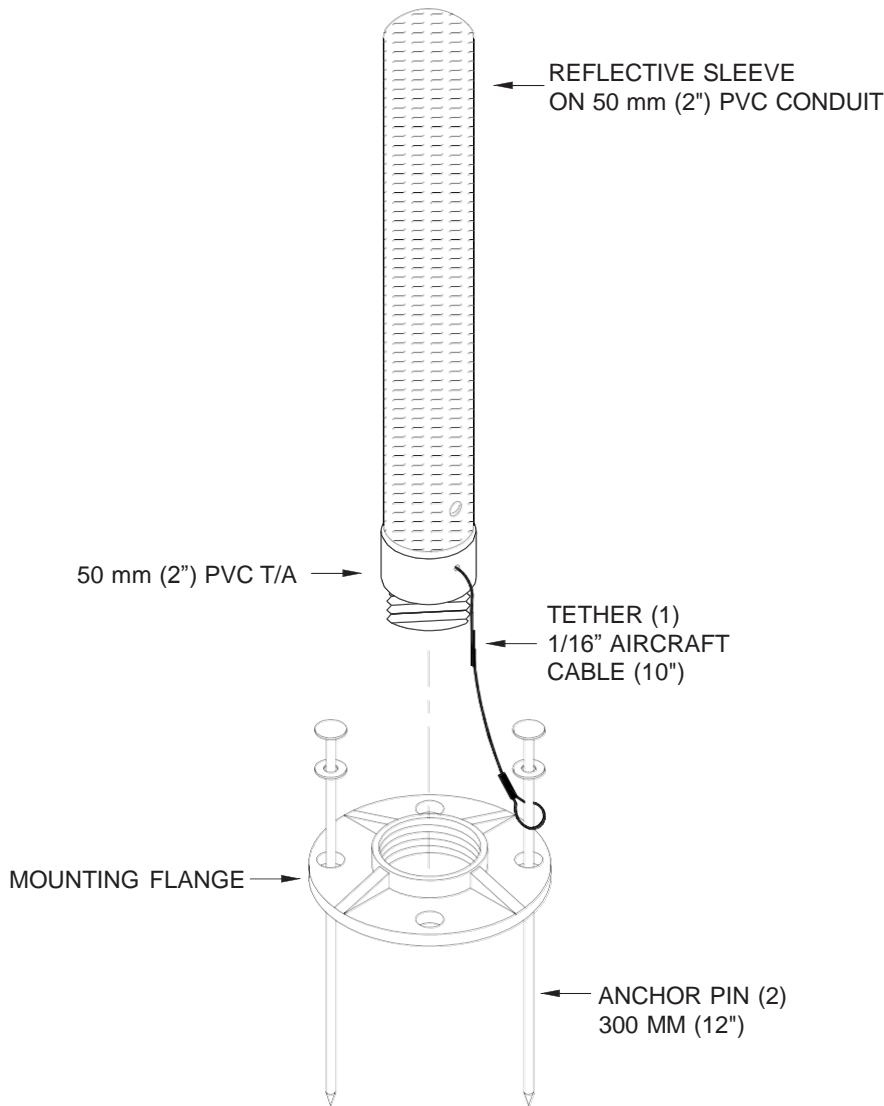
Model: **LITR 600-2T-X-3**
With Flange & Pins

ORDERING INFORMATION

LITR 6002T

3

- Blue — **B**
- Yellow — **Y**
- Red — **R**
- Green — **G**
- White — **W**



Creation Date: 10/29/02
 Drawn By: Steve McCarley

Approved By:
 Approval Date:

Revisions: 11/12/02SM
 Misc. text changes.

Rev.No.: 04

Rev. Approval:

Rev. Date:



RBI Worldwide Inc
 2539 N Balboa Ave Suite 115
 Tucson, Az 85705
 520-624-0042 Fax 520-624-0072

Cut Sheet

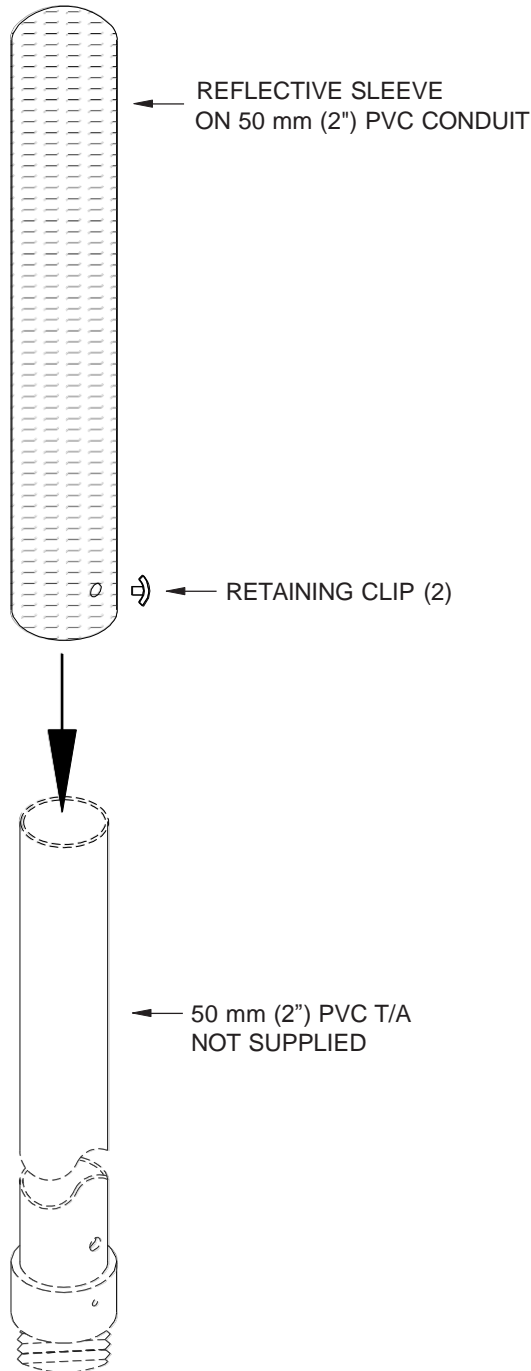
Model: **LITR 600-2T-X-SL**
Sleeve Only

ORDERING INFORMATION

LITR 6002T

SL

Blue — **B**
Yellow — **Y**
Red — **R**
Green — **G**
White — **W**



Creation Date: 10/29/02

Approved By:

Revisions: 11/12/02SM

Rev.No.: 03

Rev.Approval:

Drawn By: Steve McCarley

Approval Date:

Misc. text changes.

Rev. Date:

rbi

RBI Worldwide Inc
2539 N Balboa Ave Suite 115
Tucson, Az 85705

520-624-0042 Fax 520-624-0072

