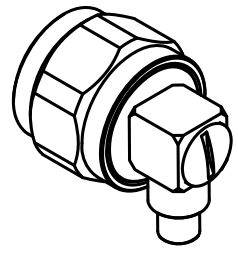
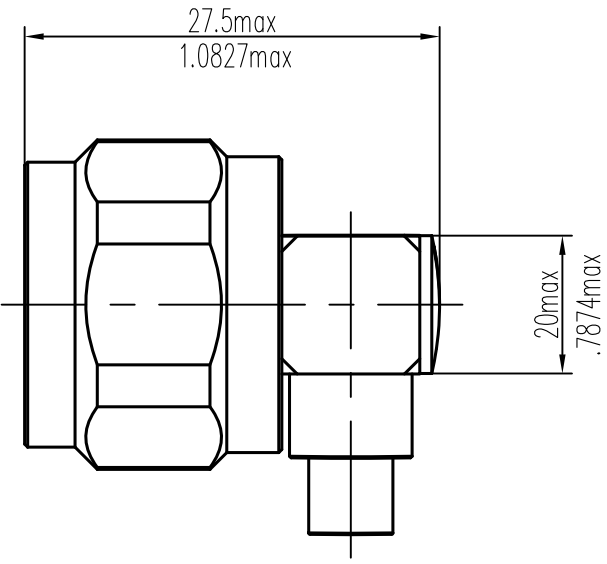



1		2		3		4		5		6	
TECHNICAL SPECIFICATION		METERIAL				FINISH					
FREQUENCY RANGE	DC~18GHz	Inner conductor	Beryllium copper		Gold						
IMPEDANCE	≥5000MΩ	Insulator	PEI		—						
OPERATING TEMP	-55℃~+70℃	Body	Stainless steel 303		Passivated						
VSWR	≤1.25	Nut	Stainless steel 303		Passivated						



UNLESS OTHERWISE SPECIFIED
 1) ALL DIMENSIONS ARE AFTER PLATING.
 2) BREAK CORNERS & EDGES.005 R. MAX.
 3) CHAM. 1ST & LAST THREADS.
 4) SURFACE ROUGHNESS 63 √ MIL-STD-10.
 5) DIA S ON COMMON CENTERS TO BE CONCENTRIC WITHIN .004 T.I.R.
 6) REMOVE ALL BURRS

DRAWN:
 CHECKED:
 STANDARDIZATION:
 APPROVED:



LANJIAN ELECTRONICS, INC

DWG.NO. N-MW32
 TITLE: SIZE 2:1
 CAGE CODE: SHEET 1/1

PROPRIETARY
 THE INFORMATION CONTAINED IN THIS DRAWING IS THE SOLE PROPERTY OF LANJIAN, INC. WITHOUT THE WRITTEN PERMISSION OF LANJIAN ELECTRONICS, INC IS PROHIBITED.

A

A

B

B

C

C

D