



T8 LED Tube

- ◆ IP20 Protection Rating
- ◆ CRI Ra80
- ◆ CCT 4000K, 5000K
- ◆ 120-277 VAC
- ◆ -25 to +40 C Operating T.
- ◆ 3 years warranty
- ◆ Type A Plug and Play works with Ballast
- ◆ Type B works without ballast
- ◆ Dual Mode works with or without ballast



T5 LED Tube

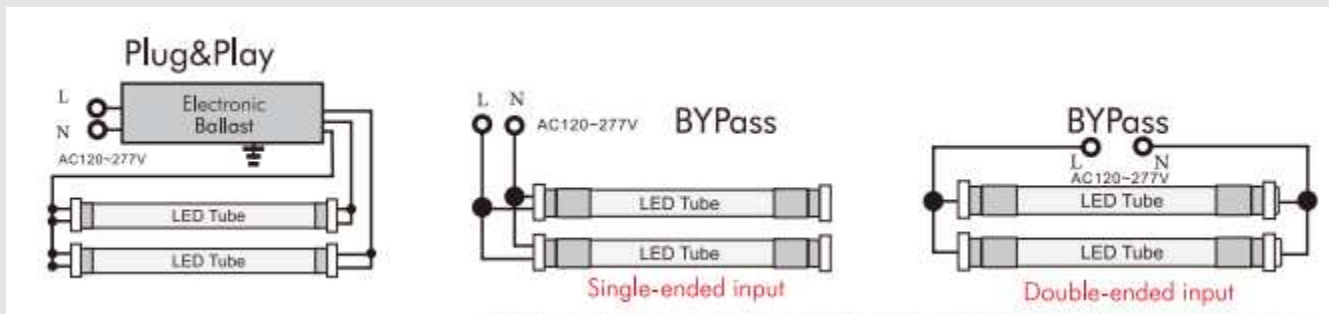
LED Tube Series T8 and T5

Part Number	TUBE-2KLM18-BC	TUBE-4KLM-8FT	TUBE-3KLM24-T5
Lumen Output	2,200 LM	4,320 LM	3,200 LM
Wattage	18W	36W	24W
Luminous Efficacy	110LM/W		
Size	4FT	8FT	4Ft
Weight (CTN)	9kg (30)	17kg (30)	9kg (30)
Beam Angle	110°		
Type	Dual	Type B	Type A
Certification	cULus, DLC, CE RoHS		



Ordering Info	Part Number	CCT	Dimming
Default	TUBE-XXXXXXXX-XX	4000K	Milk
EG. TUBE-xKLMxx-4K-Milk		5000K	Clear

T8 LED Tube—8Ft—Single Pin



Factory LED Lights Inc.

276 Sunset Point, Cochrane AB T4C0K9

(587)-333-1832 Canada, (214)-396-2232 USA ,www.factoryleds.com