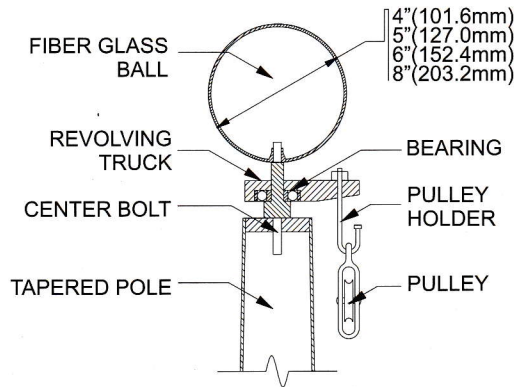
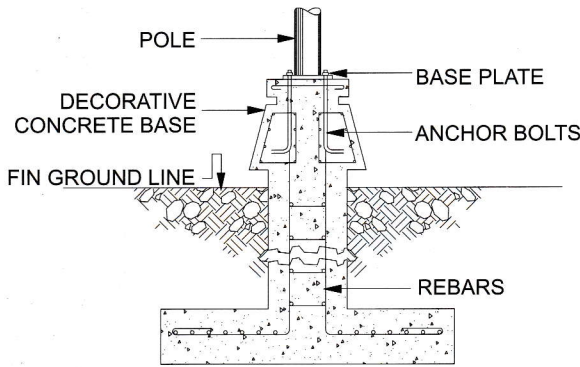


AMCO TAPERED FLAG POLE (W/ BASE PLATE)

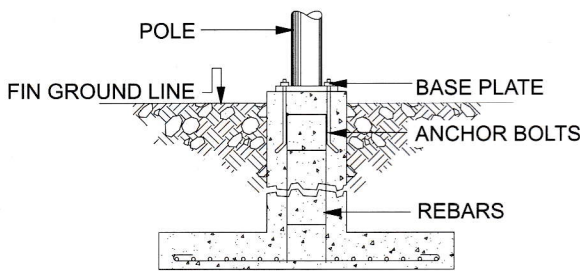


SPECIFICATION:

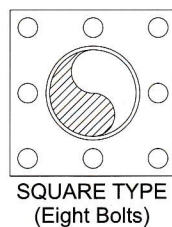
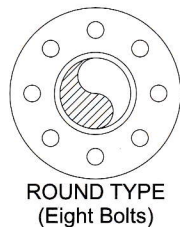
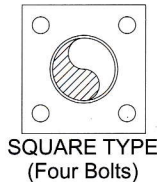
- WITH BASE PLATE
- ZINC ELECTROPLATED COATING WITH RED LEAD AND ALUMINUM PAINT
- WITH ANCHOR BOLT, NUT AND WASHER
- WITH FIBER GLASS BALL, REVOLVING TRUCK BEARING, PULLEY & CLEAT
- ROPE NOT INCLUDED



FOUNDATION PLAN 1

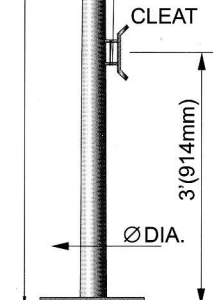


FOUNDATION PLAN 2



BASE PLATES

HEIGHT



MODEL NO.	HEIGHT	DIAMETER
F-4-10	10'(3.0M)	4"(101.6mm)
F-4-15	15'(4.5M)	4"(101.6mm)
F-4-20	20'(6.0M)	4"(101.6mm)
F-4-25	25'(7.6M)	4"(101.6mm)
F-5-15	15'(4.5M)	5"(127.0mm)
F-5-20	20'(6.0M)	5"(127.0mm)
F-5-25	25'(7.6M)	5"(127.0mm)
F-5-30	30'(9.1M)	5"(127.0mm)
F-6-20	20'(6.0M)	6"(152.4mm)
F-6-25	25'(7.6M)	6"(152.4mm)
F-6-30	30'(9.1M)	6"(152.4mm)
F-6-35	35'(10.6M)	6"(152.4mm)
F-7-20	20'(6.0M)	7"(177.8mm)
F-7-25	25'(7.6M)	7"(177.8mm)
F-7-30	30'(9.1M)	7"(177.8mm)
F-7-35	35'(10.6M)	7"(177.8mm)
F-8-20	20'(6.0M)	8"(203.2mm)
F-8-25	25'(7.6M)	8"(203.2mm)
F-8-30	30'(9.1M)	8"(203.2mm)
F-8-35	35'(10.6M)	8"(203.2mm)
F-8-40	40'(12.1M)	8"(203.2mm)
F-8-45	45'(13.7M)	8"(203.2mm)