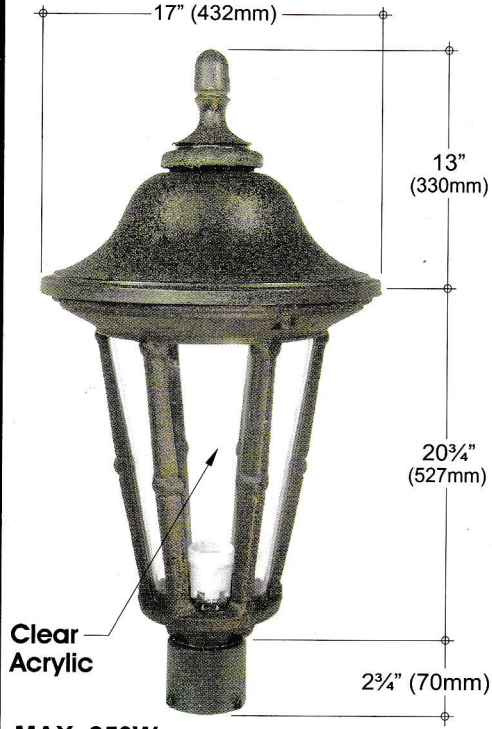


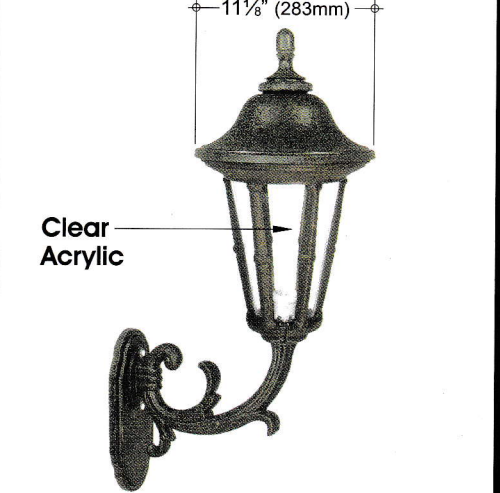
AMCO DIE-CAST ALUMINUM CASTLE LANTERN & ACCESSORIES
(WITHOUT POST) AVAILABLE COLOR: **BLACK (WHITE, ANTIQUE & BEIGE UPON REQUEST)**



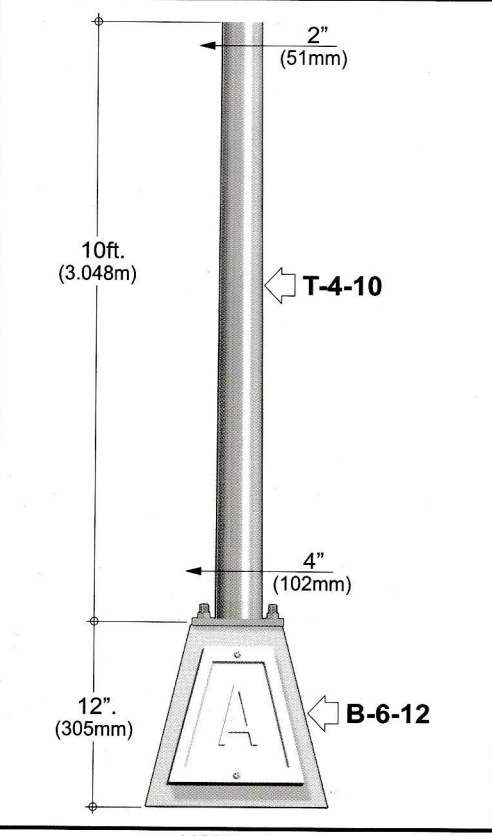
MODEL NO.
C88 - L



MODEL NO.
C88 - S



MODEL NO.
C88 - SW



MODEL NO.
T - 4 - 10 - B - 6 - 12



MODEL NO.
C88 - S - 2



MODEL NO.
C88 - S - 3



MODEL NO.
C88 - S - 4



MODEL NO.
C88 - S - 5