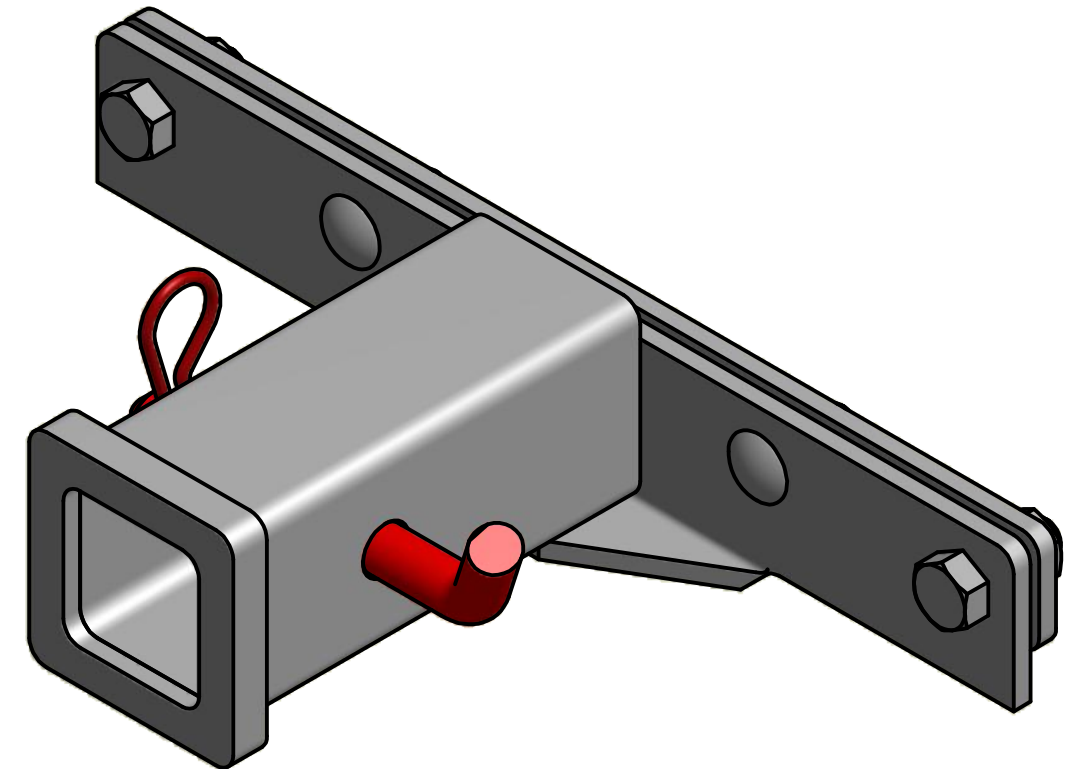
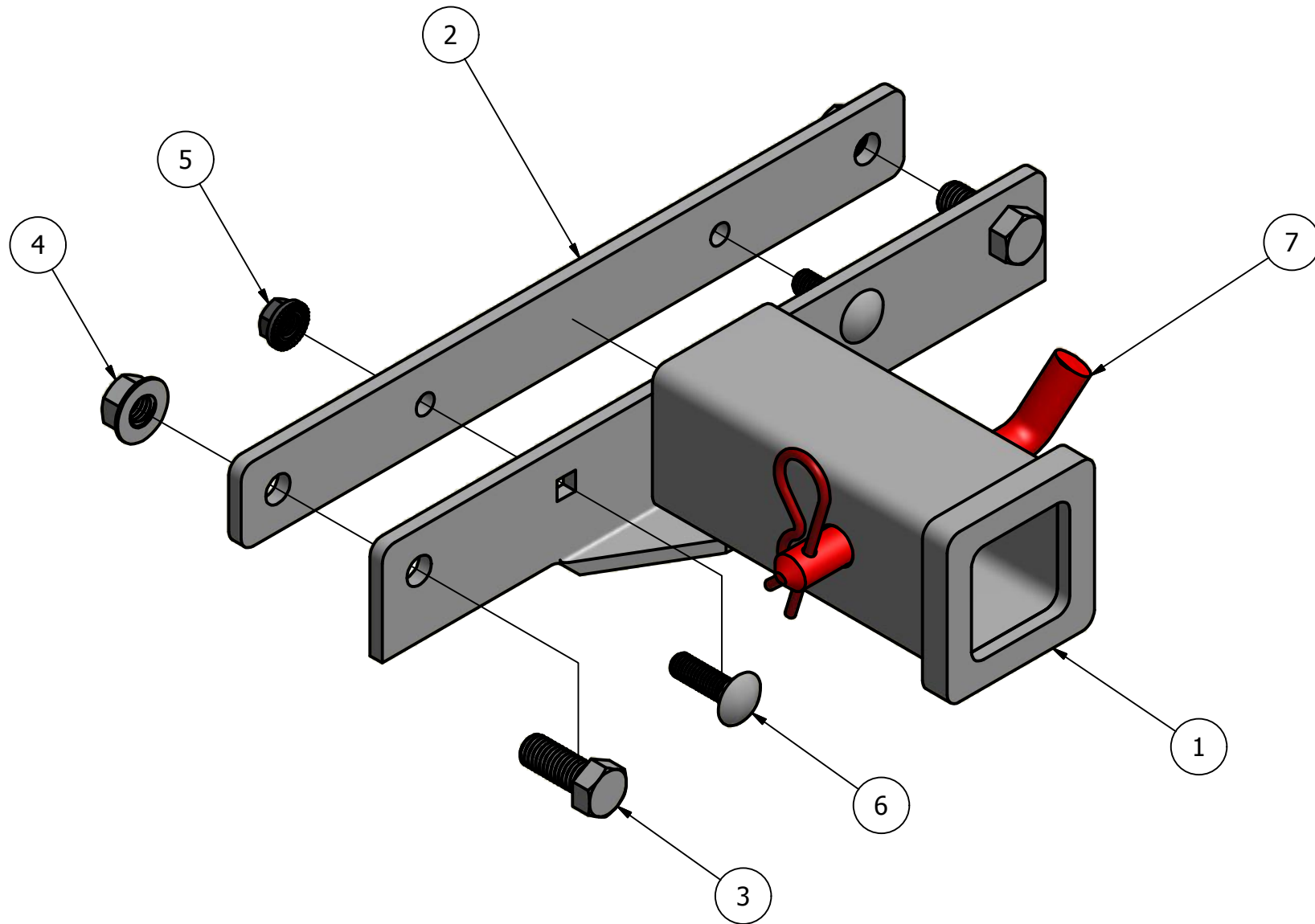




# Scag V-Ride II Hitch

Part Number: DTHV2



**Note:**

- 1) Modification of the unit is required to instal item 6 & 7.
- 2) Follow the instructions carefully and use the drill bits provided in the kit.

REVISION HISTORY	
REV	DATE
A	3/24/2019

Parts List			
ITEM	QTY	PART NUMBER	DESCRIPTION
1	1	SVR2-01	D'ttach Scag V-Ride II Hitch
2	1	SVR2-BP	Backing Plate
3	2	69715125	1/2-13 X 1.25" Hex Bolt
4	2	697138FN	1/2-13 Flanged Nut
5	2	69730014	3/8-16 Flanged Nut
6	2	69713125	3/8-16 X 1.25" LG Square Neck Carriage Bolt
7	1	69860002	5/8 Hitch Pin w/ Cotter Pin