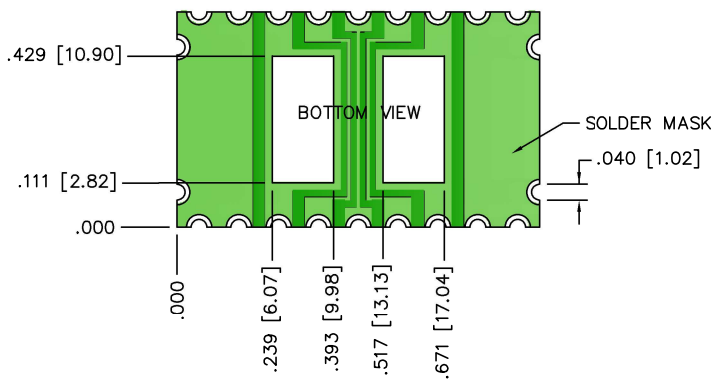
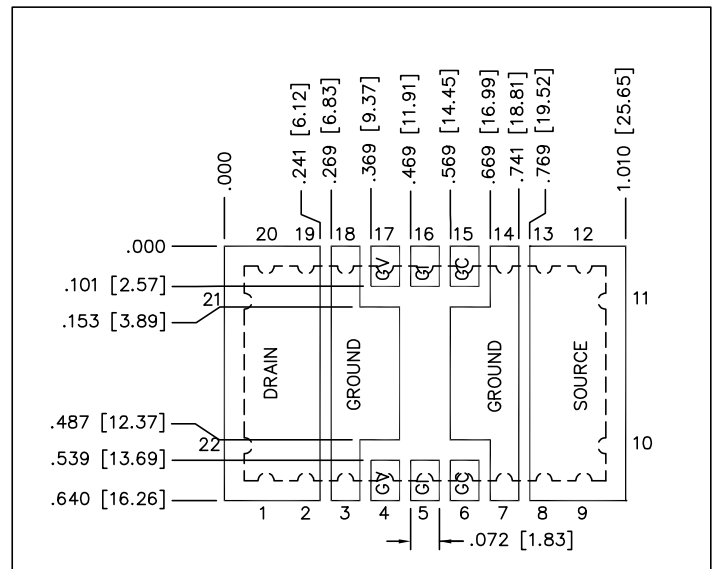
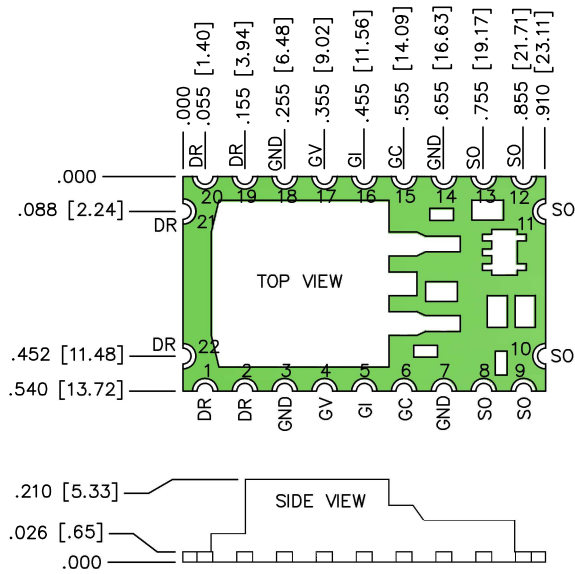


OUTLINE & LAND PATTERN, 362P, 362N



TOLERANCE IS $\pm .005$ " [.13mm]
UNLESS OTHERWISE SPECIFIED

XSYSTOR

REF: E420026