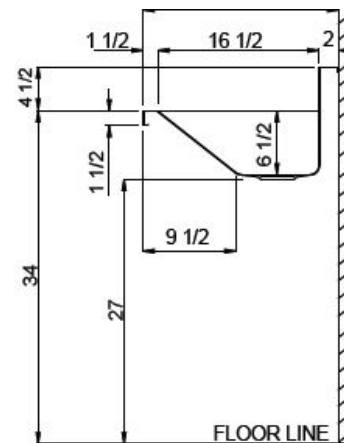
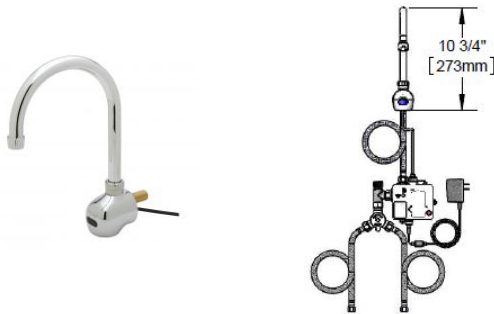
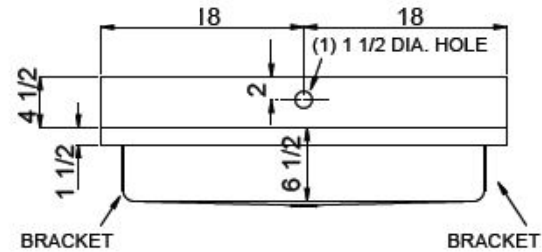
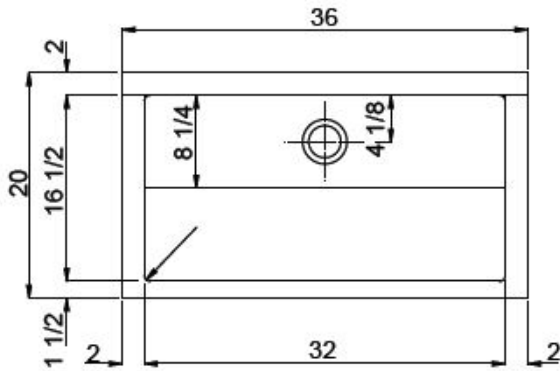


# Wicketts Stainless

## SPECIFICATION

Commercial Sink Heavy Duty  
ADA Wash Sink



Model Number	L	W	L1	D	W1	BS
WWT-3620-JH-ADA-S	36	20	32	6.5		4.5

### Engineering Specification:

14 gauge, type 304 stainless steel wash sink. Top 2" flat rims. 1 1/2" welded in grid drain. Exposed surfaces polished to a satin finish. Supported on (2) wall brackets and clips.

Wicketts Stainless, LLC.  
2618 San Miguel Dr. Bldg. # 376  
Newport Beach, CA 92660  
Tel: 951-858-2548  
Fax: 951-638-9059  
www.wickettsstainless.com  
sales@wickettsstainless.com



**WARNING:**  
This product can expose you to chemicals, which are known to the State of California to cause cancer. For more information, visit [www.P65Warnings.ca.gov](http://www.P65Warnings.ca.gov).



Approved for Manufacturing  
Company: \_\_\_\_\_  
Signature: \_\_\_\_\_  
Print: \_\_\_\_\_ Date: / /