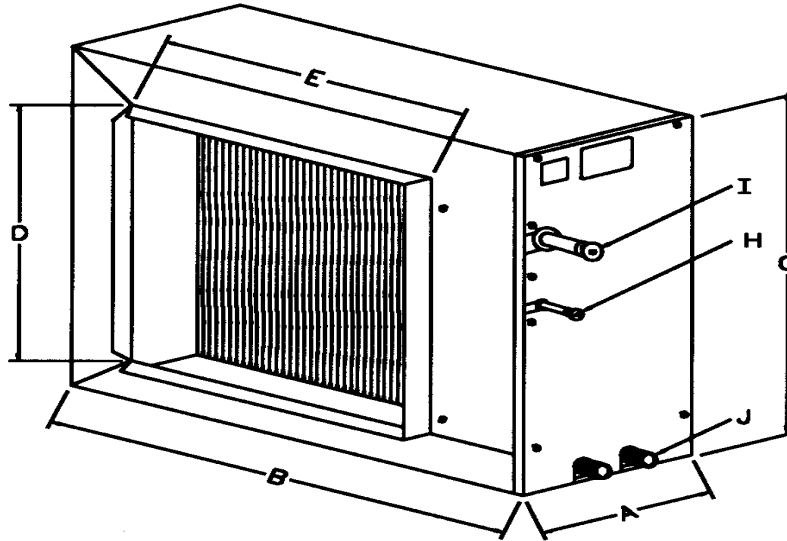


Sustainable Coils LLC

Replacement Coil Solutions!

HORIZONTAL SLAB COILS

Revision Date: 10/09/2023



COIL MODEL	COIL WEIGHT	A	B	C	D	E	H	I	J
HS-24	39	10	20	25	21	14	3/8	3/4	3/4
HS-36	45	10	25	25	21	19	3/8	3/4	3/4
HS-48	52	10	30	25	21	24	3/8	7/8	3/4
HS-60	58	10	34	25	21	28	3/8	7/8	3/4

3/8" O.D., CU-122 60 helical copper tube, .016 back wall
 2,500 PSI burst pressure minimum
 Aluminum end plates to protect against rust corrosion
 Louvered aluminum fins spaced at 14 FPI
 Piston metered for R-410A refrigerant, additional R-22 piston optional
 R-22 and R-410A expansion valve kits (loose or installed) available upon request
 Metal drain pan
 Pre-swaged refrigerant connection, shipped with dry nitrogen holding charge
 Expanded IRV: HS24=103.17, HS36=140.02, HS48=176.87, HS60=206.35
 Five year replacement warranty

Visit our website at www.Sustainablecoils.com for further information regarding our complete product line.

Telephone: (903) 881-6006

Fax: (903) 881-6008

email: sales@sustainablecoils.com