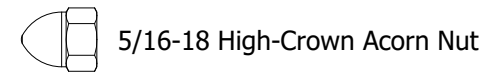
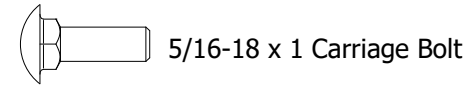
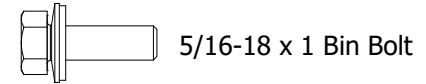
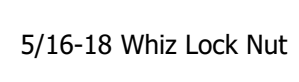
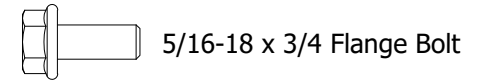
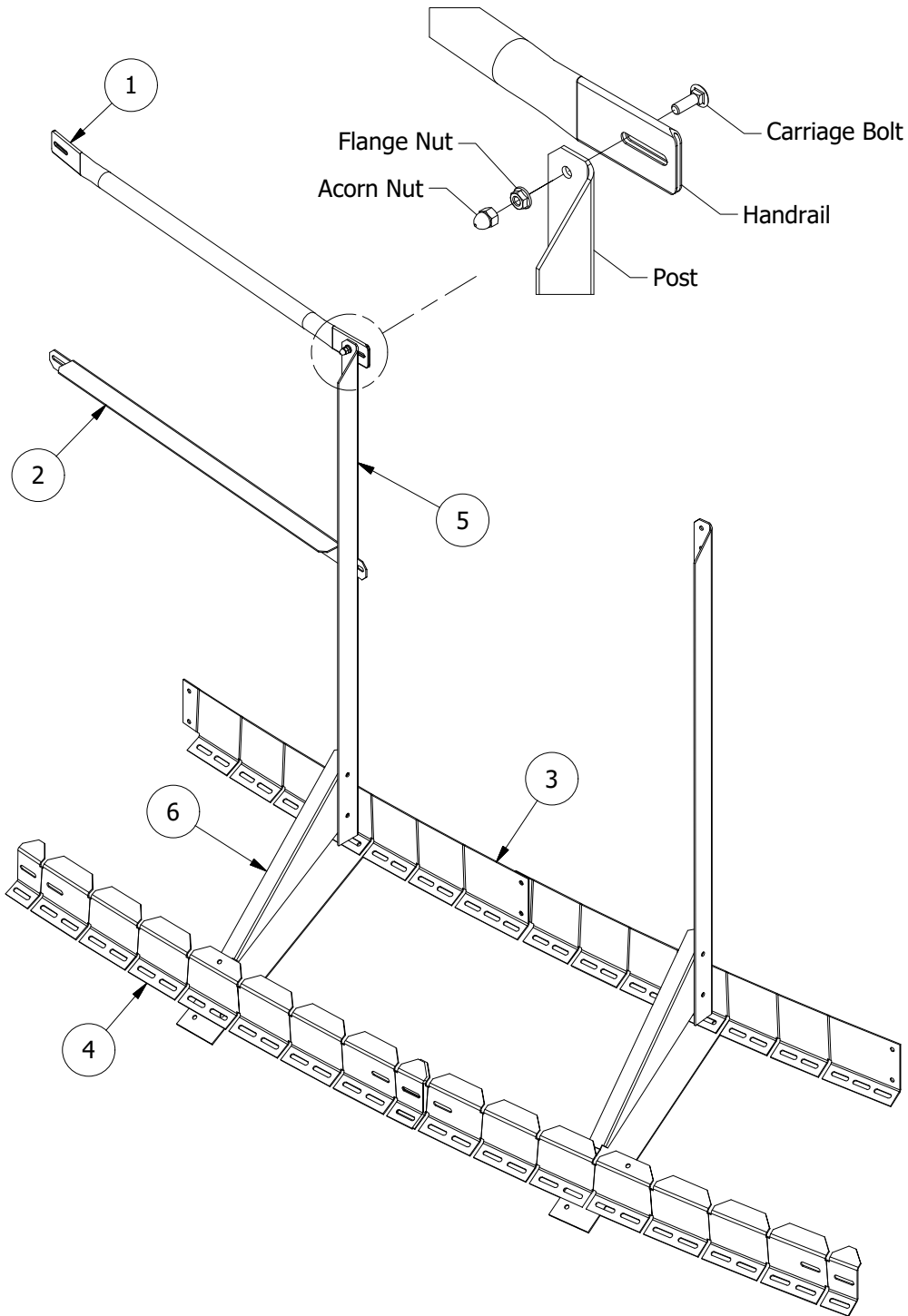
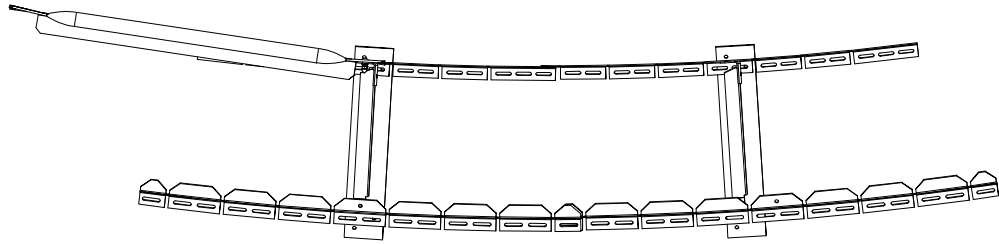


PARTS LIST, MRHE01 Entry Section			
ITEM	QTY	PART NUMBER	DESCRIPTION
1	1	ARD-1024	Roof Deck Hand Rail
2	1	ARD-1025	Mid-Rail
3	2	MR-H01	Mid Roof Handrail Base Ring
4	2	MR-H02	Mid Roof Handrail Outer Ring
5	2	MR-H03	Mid Roof Handrail Post
6	2	MR-H04	Mid Roof Handrail Post Brace
7	2	* MRV_1	Mount Foot (varies by bin brand)

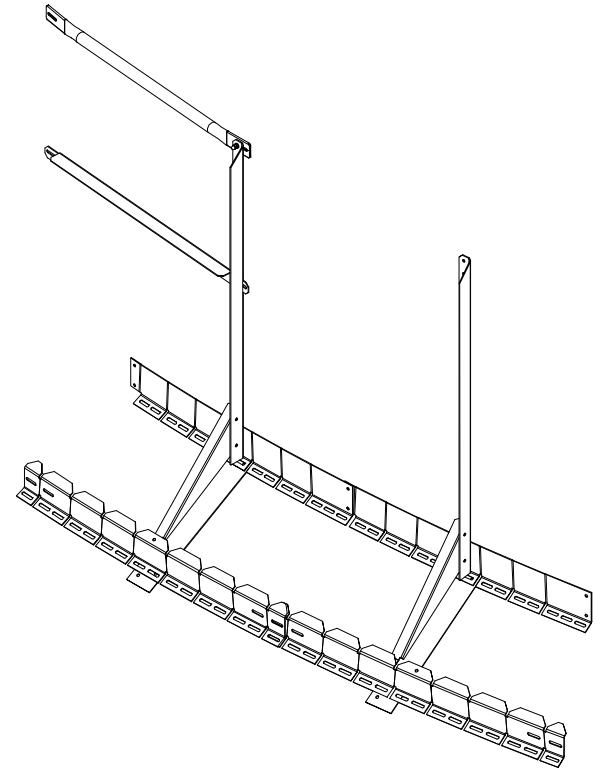
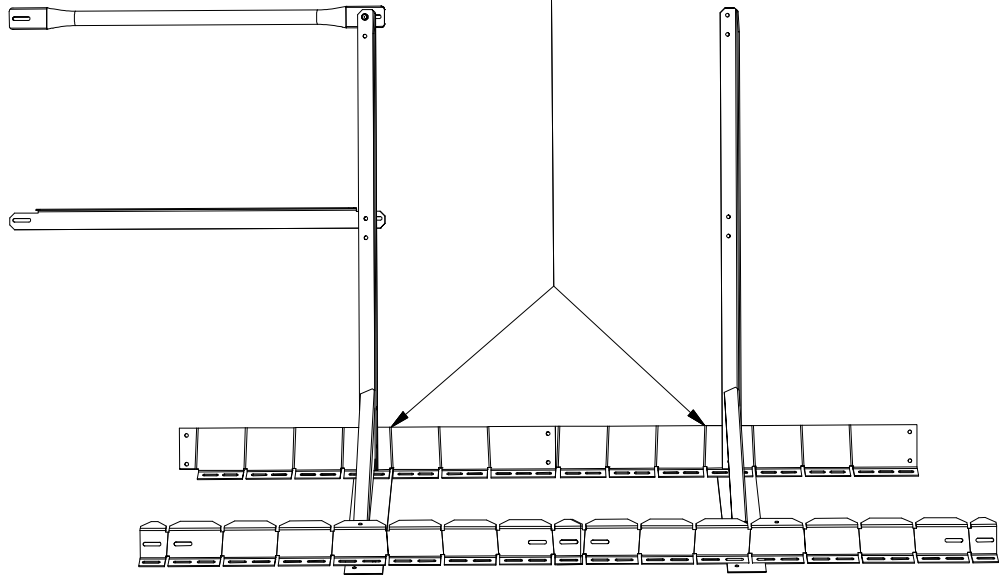
* Mount foot must be ordered separately.



DRAWN Bill Huff	12/14/2017	Greene Galvanized Stairs East Lynn, IL 217.375.4244 www.greenebinstairs.com	
CHECKED		TITLE	
QA		MRHE01 Entry Section	
MFG		SIZE A	DWG NO MRHE01
APPROVED		SCALE 1 / 14	REV 1
		SHEET 1 OF 2	



Sections of base and outer rings may be removed for clearance, after the complete rings are finished



DRAWN Bill Huff	12/14/2017	Greene Galvanized Stairs East Lynn, IL 217.375.4244 www.greenebinstairs.com		
CHECKED		TITLE		
QA		MRHE01 Entry Section		
MFG		SIZE A	DWG NO MRHE01	REV 1
APPROVED		SCALE 1 / 24	SHEET 2 OF 2	