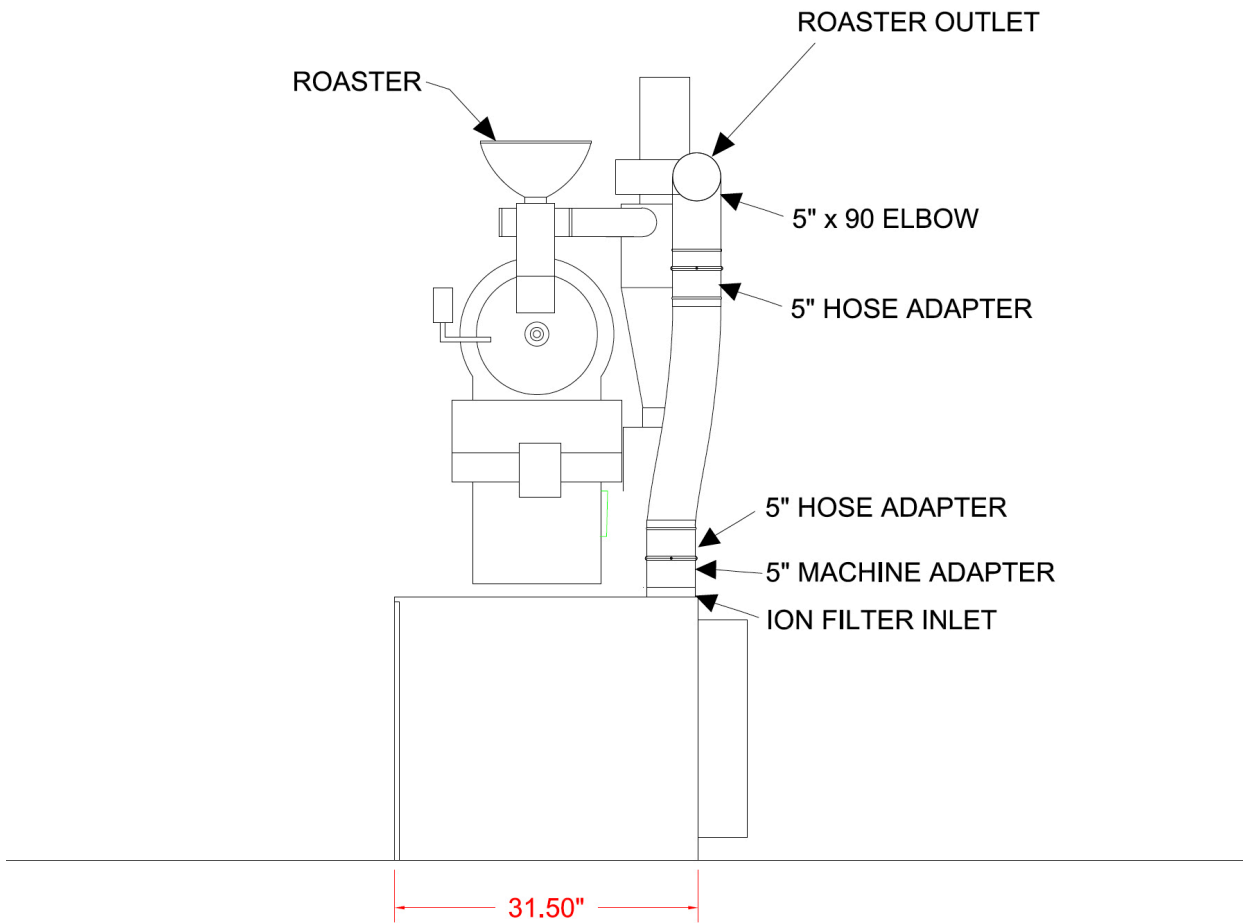


## SEDONA 3200 EXHAUST SETUP OPTIONS

### SETUP ON A ORO DOUBLE ION SMOKE FILTER:

(Note: Some older model 3200's have a 3" pipe off exhaust and current models have a 4" size. So a reducer will need to be used to connect to the smoke filter as it's pipe is 5')

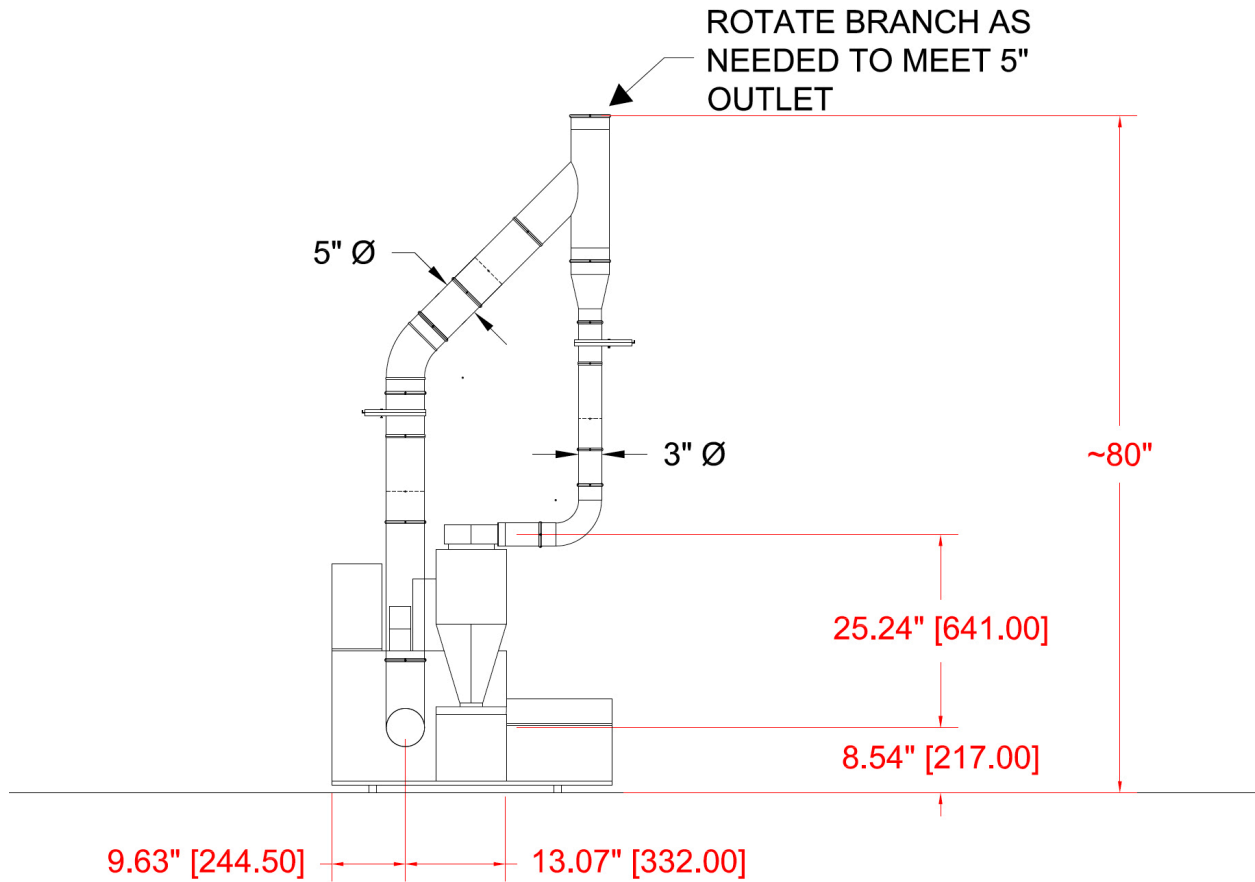


**IT IS BEST TO USE A PIECE OF FLEXIBLE STAINLESS STEEL PIPING FROM CHAFF UNIT TO INLET ON SMOKE FILTER**

**BELOW IS A SETUP FOR A SEDONA 3200 (Older Model with 3" pipe of chaff unit)**

**\*NEW UNITS HAVE a 4" exhaust coming off chaff unit**

# SEDONA 3200 EXHAUST SETUP OPTIONS

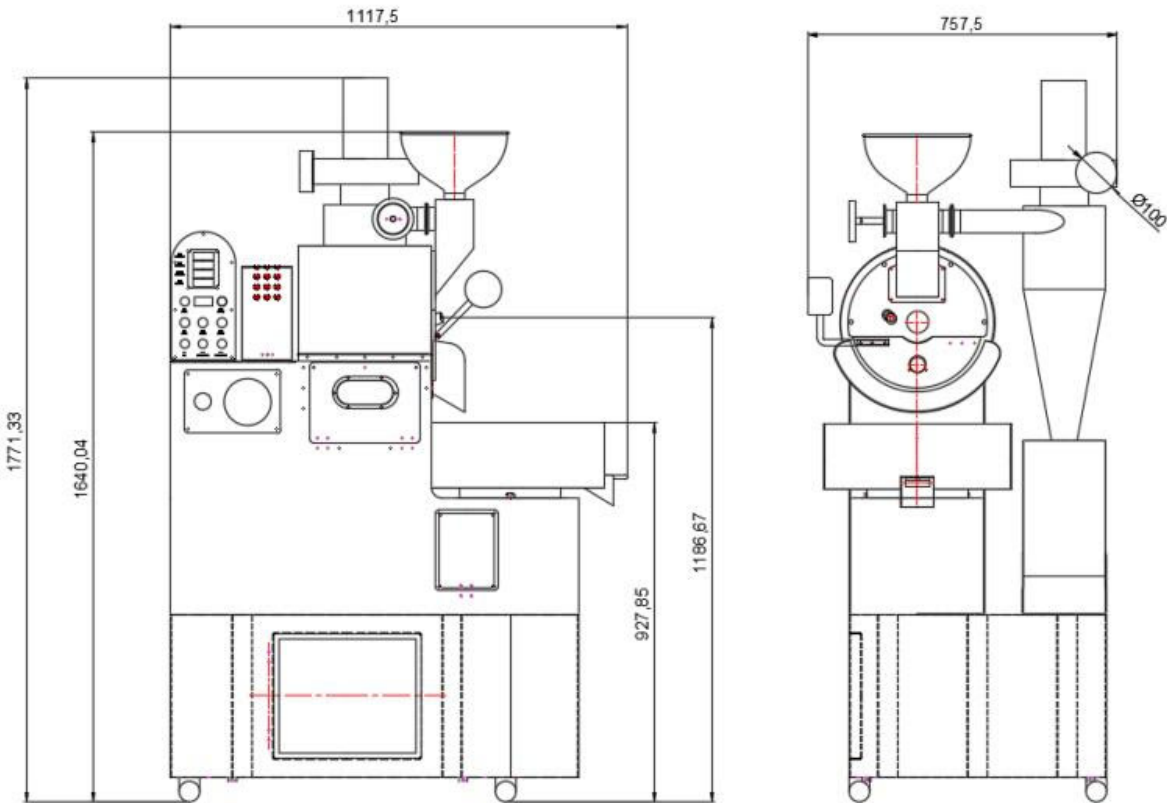


## **IMPORTANT:**

**A 4" Pipe off Chaff unit is required on the newer 2018-2019 Sedona Elite 3200 DW & DWS Models**

# SEDONA 3200 EXHAUST SETUP OPTIONS

## 2019 SEDONA ELITE 3200DWS-MODELS



**(These models have stands as seen in drawings below) Therefore you will need to adjust total length of exhaust pipe going out of building based on height of pipes of roaster.**