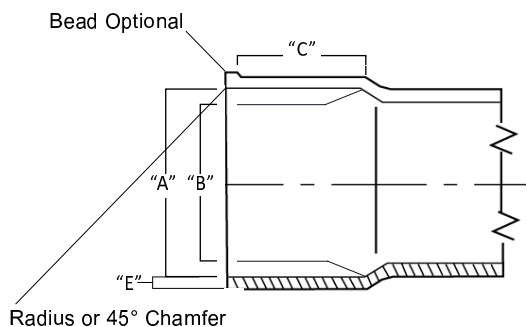


TEE
TECHNICAL INFORMATION

Fittings Socket Dimensions - Inches

Nominal Size	A	B	C
3"	3.271±0.008	3.245±0.008	1.500

Pipe Dimensions Minimum Wall Thickness

Outside Diameter		SDR 35	
Nominal Size	Average	Tolerance on Average	E
3"	3.250	±0.008	0.100

Tee
Sewer Hub x Sewer Hub x Sewer Hub

Part #	Size	Desc.	D	F
V-803	3"	HxHxH	3.500	1.750



V-8064

Normandy Products are proudly
made in the USA.

