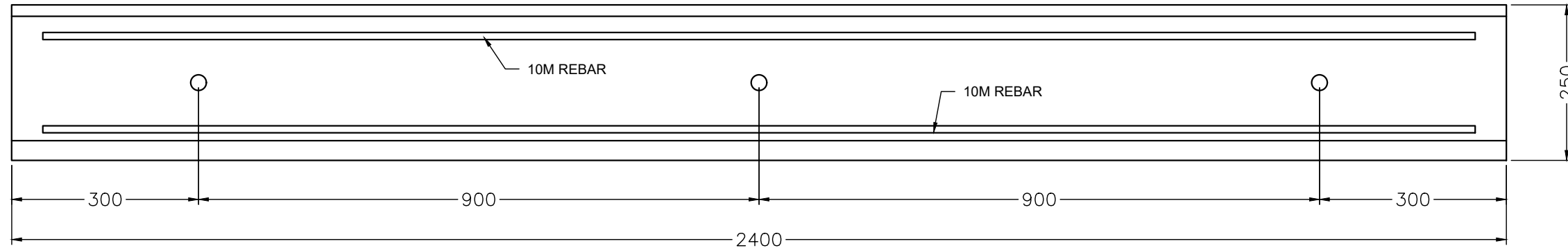


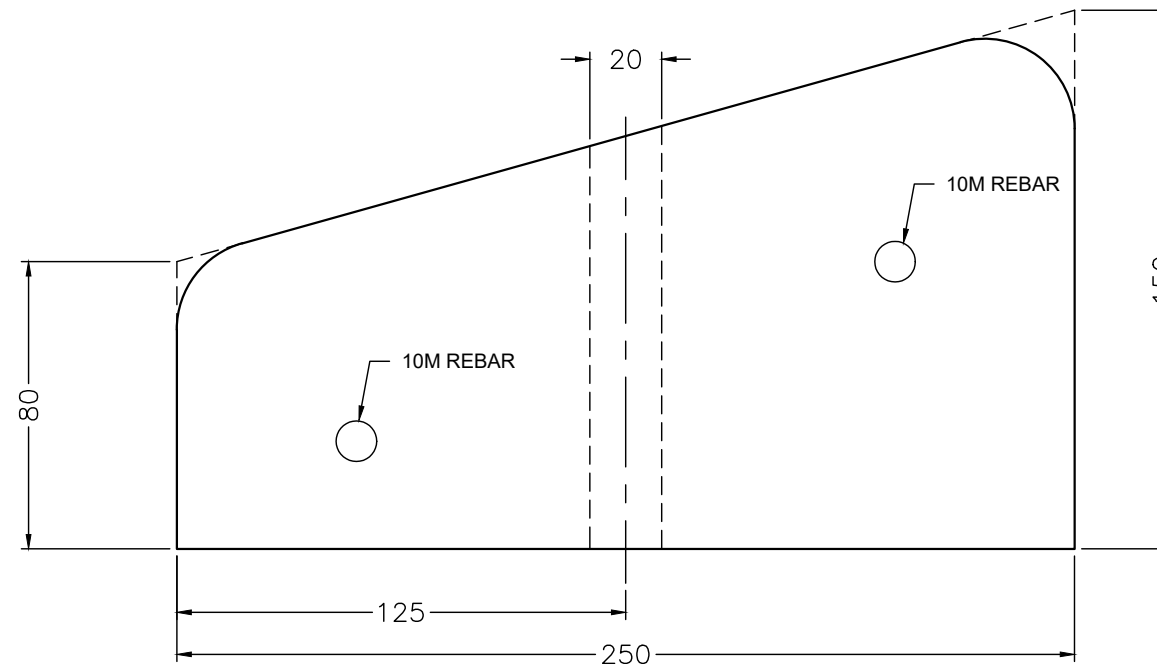
ISOMETRIC VIEW

A



PLAN VIEW

A



SECTION A-A

NOTES:

- 1) CEMENT : PORTLAND CEMENT TYPE 50(HS)
- 2) Max AGGREGATE SIZE: 20mm
- 3) 28 DAY STRENGTH: MIN. 35 MPa.
- 4) ENTRAINED AIR: 6%±1%
- 5) REINFORCING TO CAN/CSA-G30.18 400 MPa
- 6) CURBS TO BE SECURED TO THE FOUNDATION WITH EITHER DRIFT PINS OR EPOXY RESINS. DRIFT PINS WILL BE 16 DIA. X 380 LG. EACH. PINS WILL HAVE SHARP POINT & NO HEAD.
- 7) ALL UNITS ARE IN MILLIMETERS UNLESS OTHERWISE NOTED.

TOTAL WEIGHT = 170 kg



DWG. NO.	REFERENCE	NO.:	REVISION DESCRIPTION	BY	APP'D	DATE	DRW BY	SWM	2017/02/08
-	-	A	PLAN ISSUED	-	-	2017/02/08	CH'K BY	-	-
-	-	-	-	-	-	-	AP'D BY	-	-
-	-	-	-	-	-	-	AP'D BY	-	-
-	-	-	-	-	-	-	AP'D BY	-	-
-	-	-	-	-	-	-	SCALE: NTS	-	-

TITLE:		CONCRETE CURB DETAIL DRAWING	
PROJECT NO.:		JOB NO.:	
DRAWING NO.:	SVI-CM-2400-01A		