

HTV Emulator-1

Setup Guide for Samsung HGxxNT690U TVs for H-BROWSER Applications that Implement Custom Volume and Mute OSD*

*Not for STANDALONE or H-BROWSER application without custom Volume and Mute OSD
 For these installations, see www.ProTVSolutions.com/htve-support.html for guides.

Installation of the HTV Emulator-1

1. Secure the HTV Emulator to the back of the TV using the Velcro dot. It can be located in the TV's connector inset just above the TV's product label, with the Pillow Speaker jack FACING DOWN
2. Plug the audio cable from the VARIABLE AUDIO IN jack to the TV's VARIABLE AUDIO OUT jack. **DO NOT PLUG THIS INTO THE HTV EMULATOR'S AUDIO IN JACK.**
3. Plug the flat cable from the DATA jack to the TV's DATA jack to control the TV's actions.
4. Plug in the nurse call or pillow speaker cable to the Pillow Speaker jack. This is a 3.5mm jack and might require adapter cables for the various types of nurse call system implementations that are available. See Page 2 for optional available cables.
5. Plug in the power cable from the PWR jack to the TV's USB port, to provide power the device.
6. **IMPORTANT STEP** - Secure the nurse call or pillow speaker cable to the TV with the included zip tie and anchor.

3. Within 5 seconds PUSH 1 on the pillow speaker.
4. The HTVE is now configured for H-BROWSER installations.

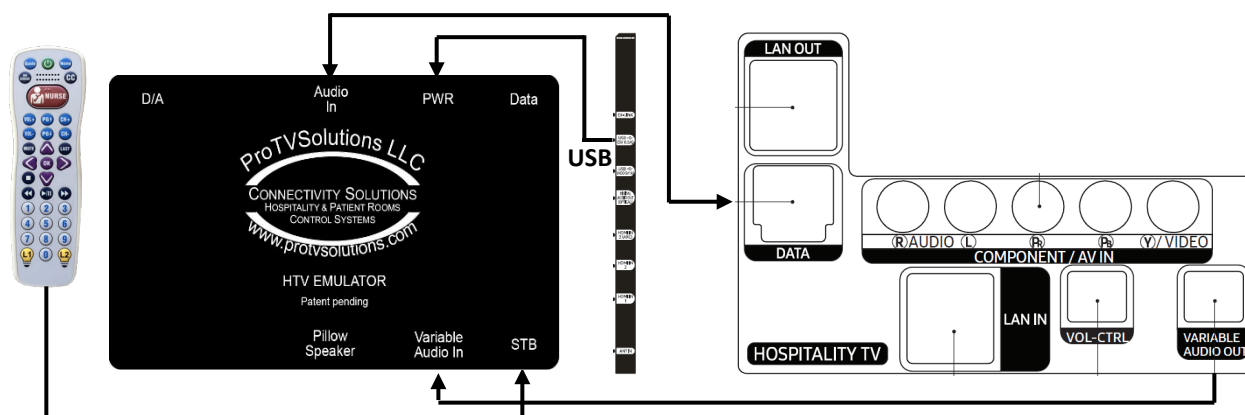
TV settings using the Samsung Hospitality Menu*

1. Turn the TV On. Using the remote control enter the TV's **Main Menu**.
2. Select **SOUND** and set the Sound Output to External speakers.
3. Enter the Configuration menu (MUTE, 1, 1, 9, SELECT)
4. Select the "Virtual Standby" option and turn it ON. This option allows the Internal USB power to be available when the TV is in standby.
5. Select the option "SI Vendor" and set it to "SSCP".
6. Enable H-Browser and follow integrators instructions to complete setup.
7. Select Bathroom Speaker, set
SubAmp Mode = 1
SubAmp Volume = 3
8. Installers may change other settings as necessary at this time.
9. Exit the factory menu by powering off the TV.



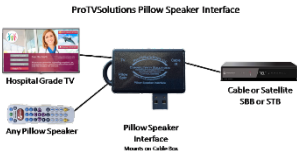

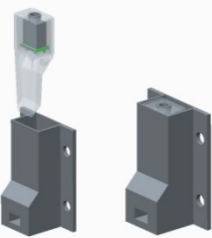
* See the Samsung TV Setup Guide on how to access the Hospitality Men

Configure HTV Emulator for H-Browser operation

1. Unplug the USB cable from the TV.
2. Plug USB cable back into the TV.



ProTVSolutions Healthcare Product and Accessory Line Card

PRODUCT	IMAGE	KEY FEATURES	REQUIREMENT
Adapters and Cables for Healthcare Products		<ul style="list-style-type: none"> • 3.5mm Male to 3.5mm Male 1M cables for Samsung TV's • 6-pin Male to 3.5mm Male, for LG TV's • 6-pin Female 30 3.5mm Male, for LG TV based installations • 1/4" Male to 3.5mm Male cables or adapters needed for many installations • 1/4" Female to 3.5mm Male Adapter, for various pillow speakers • 1/4" Female to 3.5mm Male cable, for various pillow speakers • Others available as well, all high quality at reasonable prices 	
HTV Emulator Part# HTV Emulator-1		<ul style="list-style-type: none"> • Hospital TV Emulator – Why buy expensive Healthcare TV's? • Offers pillow speaker control & audio with non-healthcare TV's and STB's • Works best with Samsung and LG hospitality televisions • Communicates through MPI or SSCP protocols • No IR blasters, direct wired communication to TV and STB 	<ul style="list-style-type: none"> • TV must have analog audio • TV must have MPI or SSCP protocols • Some STB protocols may need to be added
Pillow Speaker Interface (PSI) Part# PSI-ADB-2		<ul style="list-style-type: none"> • Control hospital grade TV AND Set Top Box with a standard Pillow Speaker • Supports a wide range of STB's including Cable, Satellite, and IP • Patients can enjoy a home like viewing experience • Compatible with almost any hospital grade TV • Pillow Speaker buttons can be mapped for any function on TV or STB • Can be combined with IR2USB for boxes without an IR input 	<ul style="list-style-type: none"> • TV's and Pillow Speakers must support Zenith, Philips or Pro:Centric protocols • Hospital grade TV • STB or SBB with IR input
Pillow Speakers		<ul style="list-style-type: none"> • Pillow speakers that have the right keys to work well with cable and satellite STB's • Anacom Medtek and Crest line available 	
Remote Prism Tunnel Part# RP Tunnel		<ul style="list-style-type: none"> • Designed to eliminate IR interference between adjacent TV's • Great for multiple beds in clinics, senior living and hospitals • Also designed for bars, restaurants and fitness centers • Easy to install, installs in less than 1 minute • Includes Remote Prism, 3m cable and mounting hardware • Can be combined with IR2HID for boxes without an IR input 	<ul style="list-style-type: none"> • STB or SBB with IR input • Multiple TV's