

SPECIFICATIONS:

Impedance: 50 Ohm
Frequency Range: DC-18 GHz
Input Power: 5 watt avg.
Operating temp. : -65°C to + 125°C

VSWR:

DC-4 GHz: 1.15:1 max.
4-8 GHz: 1.20:1 max.
8-12.4 GHz: 1.25:1 max.
12.4-18 GHz: 1.35:1 max.

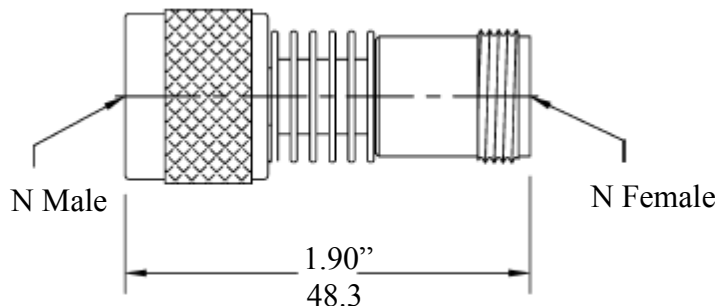
Attenuation Accuracy:

0-6 dB ± 0.3 dB
7-20 dB ± 0.5 dB
21-30 dB ± 0.75 dB
30-60 dB ± 1.5 dB

Standard dB Values:

1-10, 12, 15, 20, 30, & 40 dB

Part	Material	Plating
Body	Stainless Steel	Passivated
Conductor	Beryllium Copper	Gold
Housing	Aluminum	Anodized



Dimensions are for reference only, and are subject to change without notice.



Premier RF
17 Roslyn CT
Patchogue, NY 11772
PH: 631-447-3804
sales@premier rf.com
www.premier rf.com

	PART NUMBER	PRF-AT2518-XX
10/02/2012	DESCRIPTION	TYPE N ATTENUATOR DC-18 GHz, 5 WATT
APPROVED		
A. Ianacci		