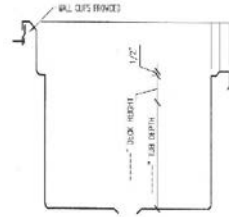


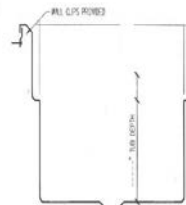
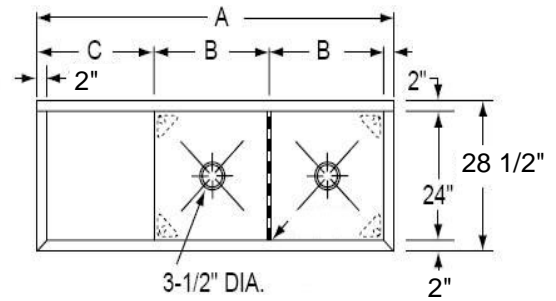
WICKETTS STAINLESS

SPECIFICATION

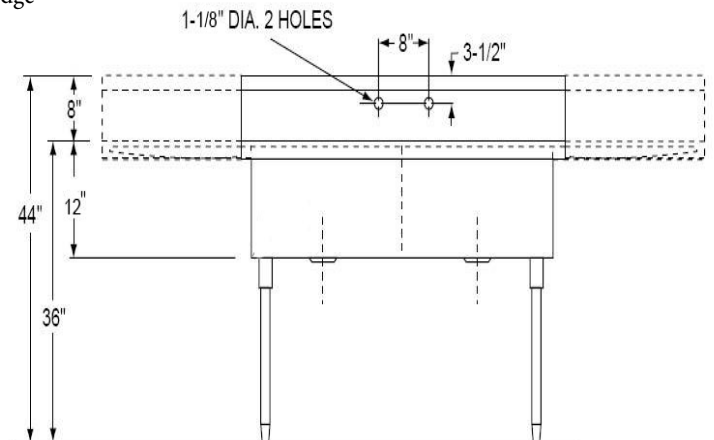
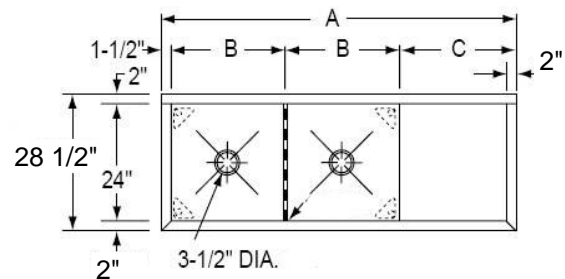
Commercial Sink Heavy Duty
Two Compartments
One Drain Board



Marine Edge



Rolled Edge



Model Number	A	B	C
WCS 4218-L	57	18	18
WCS 4224-L	75	24	24
WCS 4230-L	87	30	24
WCS 4236-L	99	36	24
WCS 4218-R	57	24	24
WCS 4224-R	75	24	24
WCS 4230-R	87	30	24
WCS 4236-R	99	36	24
WCS Custom			

Engineering Specification:

14 gauge, type 304 stainless steel scullery sink. 12" deep construction. Full length 8" high backsplash with 45° sloped top. 1-1/2" wide sloping top channel rims. Exposed surfaces polished to a satin finish. Supported on (4) stainless steel, 1-5/8" O.D. tubular legs, Adjustable bullet feet.

Wicketts Stainless, LLC.
2618 San Miguel Dr. Bldg. # 376
Newport Beach, CA 92660
Tel: 951-858-2548
Fax: 951-638-9059
sales@wickettssstainless.com
www.wickettssstainless.com



Approved for Manufacturing
Company: _____
Signature: _____