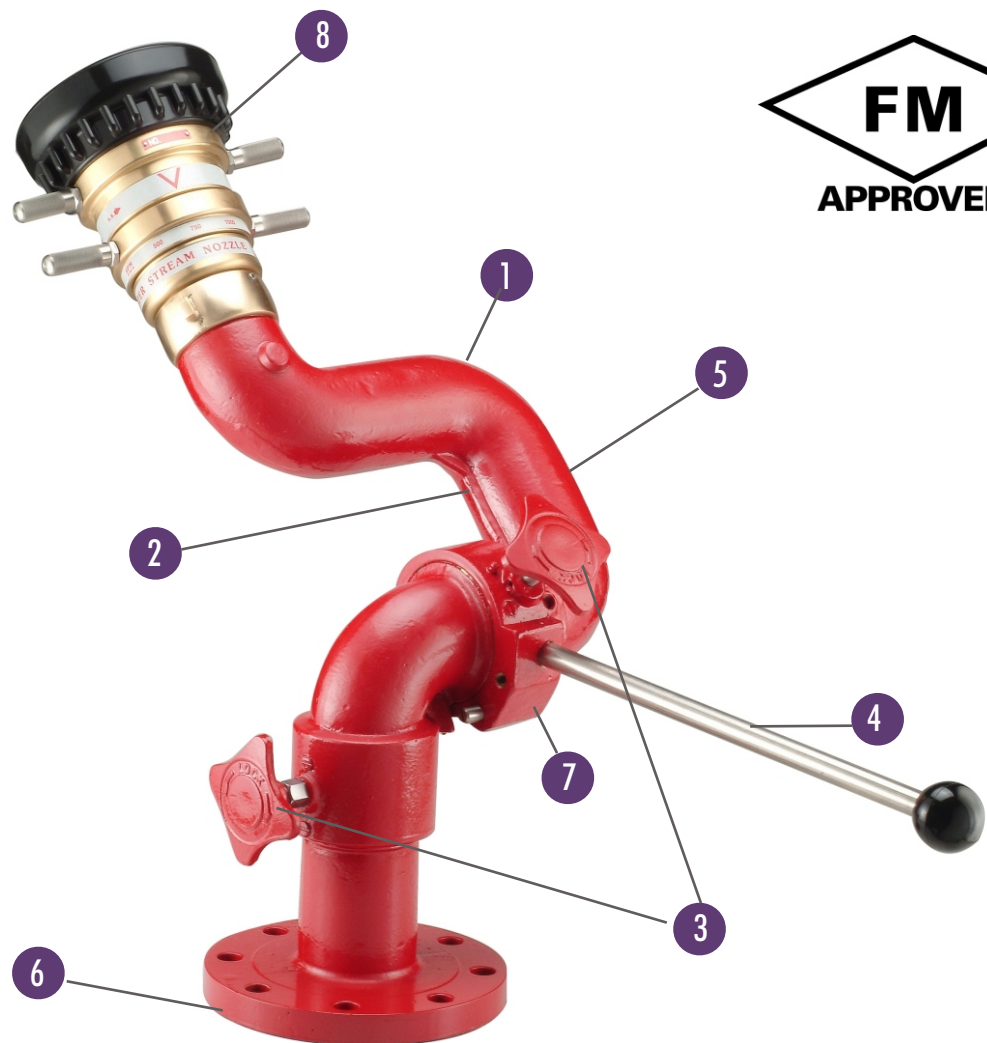


Industrial Monitors

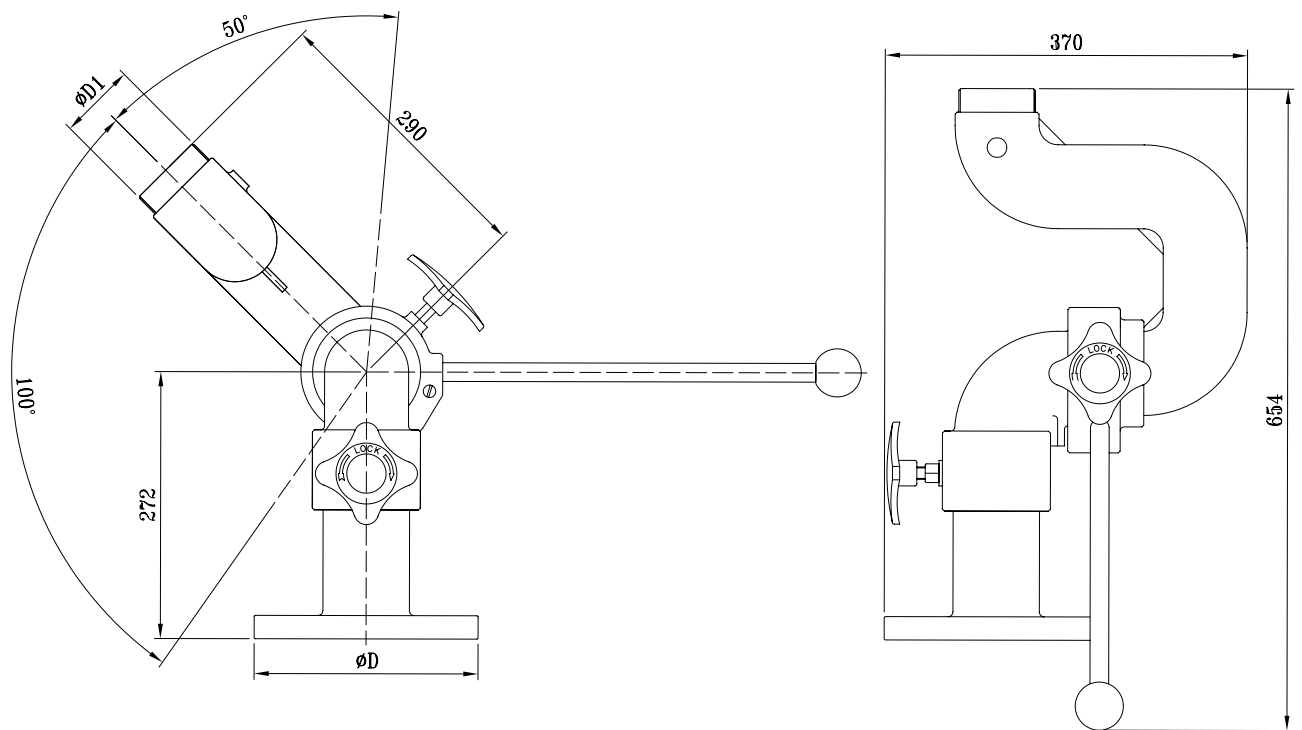
Unique Features of Protek Industrial Monitors

- ① Flow turning vanes in each elbow to reduce friction
- ② Powder coating gives a tough corrosion resistant finish
- ③ Positive friction locks with bronze knob on both horizontal and vertical
- ④ Stainless steel lever
- ⑤ Major components made from bronze alloy (UNS C83600, ASTM B62) for a long in serving life
- ⑥ Able to be supplied with flange options: ANSI, ASA, DIN or ISO. Special alloy flanges are available
- ⑦ A double row of stainless steel ball bearing in monitor joints ensure easy movement even when monitor is under pressure
- ⑧ A comprehensive range of water and self educting foam master stream nozzle available to fit for any application



Style #649 Monitor

- Corrosion resistant bronze construction Ideal for marine, offshore, industrial or other corrosive environment
- Full 3" waterway
- Cast-in turning vanes for efficient flow
- Flow Up to 1,250 GPM (4,800 LPM)
- 360 degrees horizontal and 150 degrees vertical travel 90 degree above to 60 degree below horizontal
- Positive friction locks on both horizontal and vertical travel to hold the desired position
- Stainless steel lever
- Operating pressure of 200 PSI (14 bar)



STYLE	HEIGHT	WIDTH	INLET	OUTLET	WEIGHT LBS	FLOW
						GPM
649	17"	14"	3" or 4" FL	2.5"	46	1,250