

ADandD P/N SEPL-5

Mounts with included hardware. Assembly instructions provided
Option of lenses: Borax High Temp, Laminated Glass, Lexan Lens.

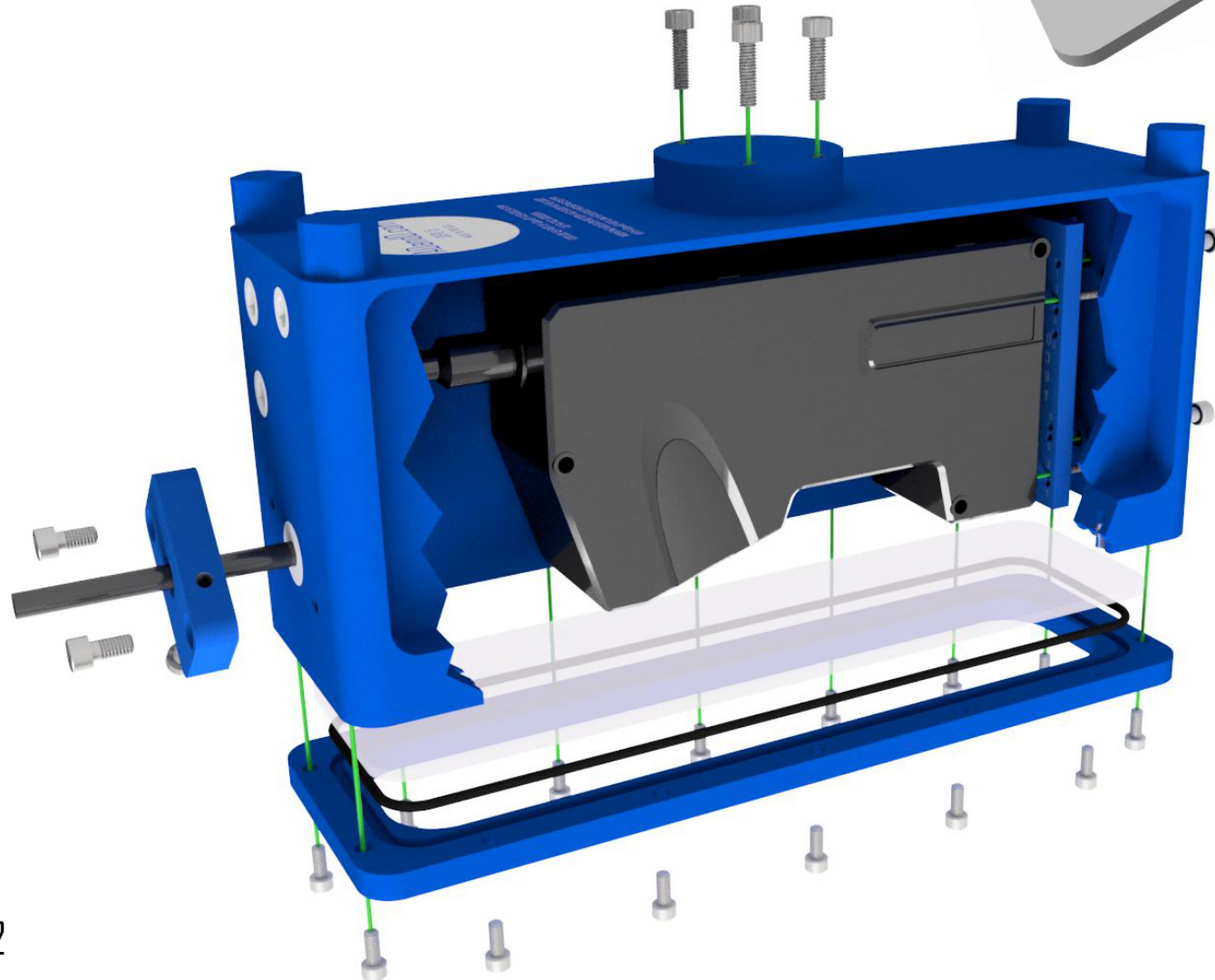
Mounts the below Keyence products.

Keyence laser profiler LJ-X8060

Keyence laser profiler LJ-X8080

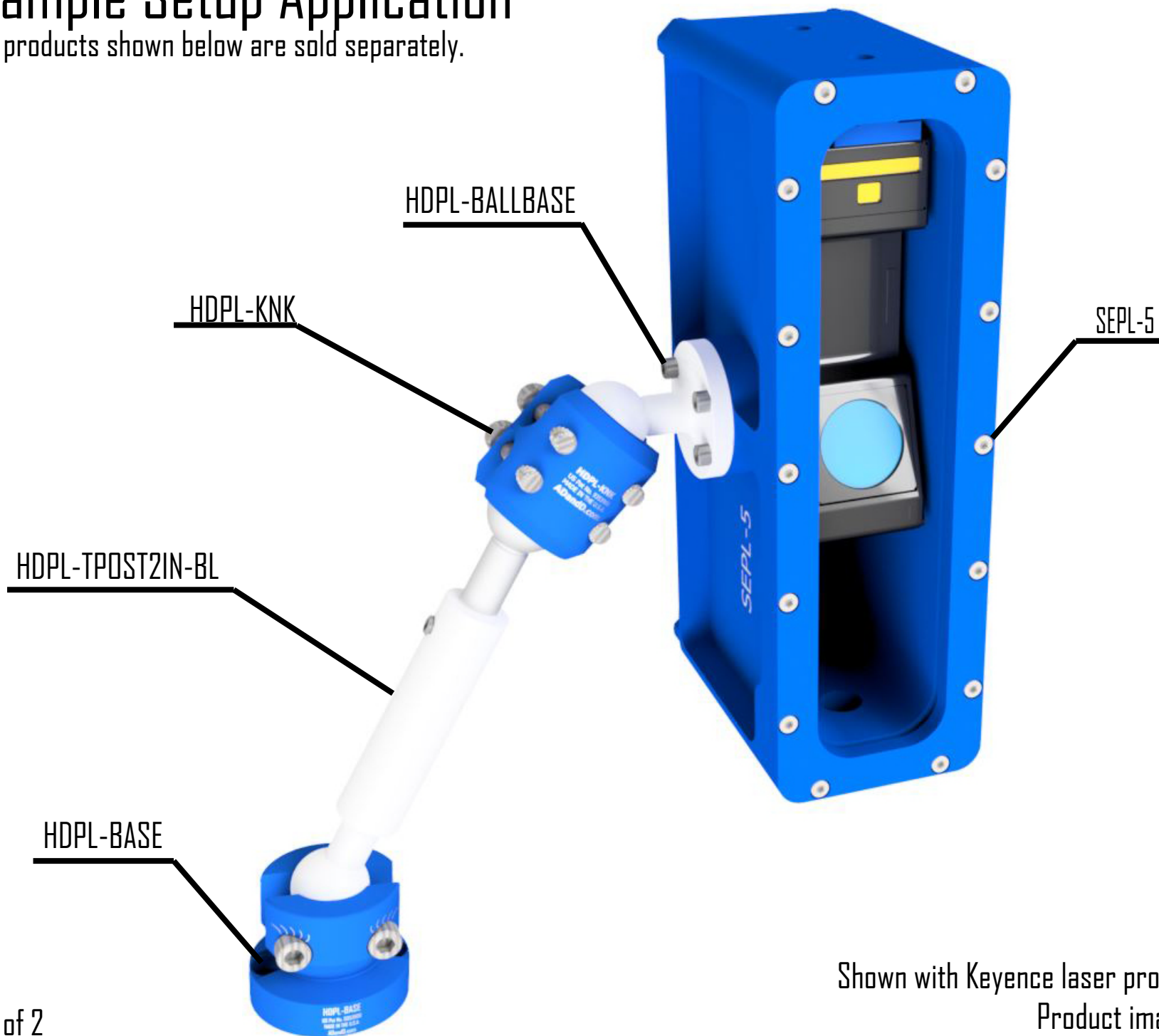
Keyence laser profiler LJ-X8200

Keyence laser profiler LJ-X8400



Sample Setup Application

All products shown below are sold separately.



Shown with Keyence laser profiler LJ-X8400
Product images may vary.