

**MIDSIZE 3/4" LUBRICATORS: 1131-9, 1131-10**

Bowl	Metal W/Sight
Max Pressure	250 PSI
Temperature Range	40°F to 160°F

**WARNING!** For Compressed Air Service only. Not to be used on life support or breathing air systems. Metal bowl sight glass is made of polycarbonate and will crack or rupture if exposed to any chemicals, such as synthetic or penetrating oils, that are unsuitable for use with polycarbonate

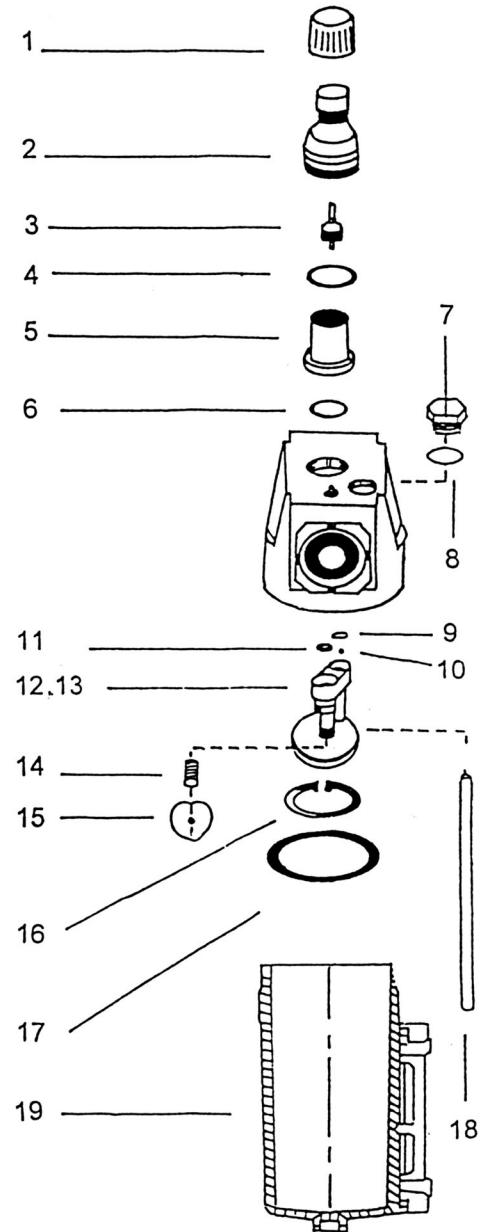
**INSTALLATION:** The lubricator should be installed so the air flow is in the direction as indicated on the head of the unit. Install the lubricator downstream of any filters or regulators, and as close as possible to the apparatus being serviced. The lubricator should be filled with SAE 10 oil or lighter.

**OPERATION AND ADJUSTMENT: FOG STYLE**—The lubricator will automatically vary oil mist delivery with air flow variation at any adjustment. The oil flow rate can be observed through the sight dome. The oil flow rate setting is determined by the air flow and the equipment to be lubricated. When adjusting oil delivery, equipment or tools should be operating. For general purpose applications the recommended lubrication range is as follows:

1/4" pipe	1-3 drops/minute
3/8" pipe	2-6 drops/minute
1/2" pipe	3-9 drops/minute
3/4" pipe	5-15 drops/minute.

Rotating the adjustment knob counterclockwise when in the upward position will increase oil mist delivery. Push adjusting knob down to lock in at desired setting. The plastic knob may be removed to prevent unauthorized adjustment, Replacing the adjusting knob will allow the setting to be readjusted. This drop type lubricator offers "fill under pressure" as a standard feature. Release pressure in the bowl by slowly removing the filler plug. Add oil to the bowl through the fill port. For best results insert long spout oil can internally 2 inches. The bowl should not be removed while the lubricator is under pressure.

# LUBRICATOR INSTRUCTION SHEET



ITEM	DESCRIPTION	1131-9	1131-10	CONTENTS
		KIT	KIT	
1, 2, 3, 4, 5, 6,	Adjustment Dome Kit	1130-15	1130-15	Adj.Cap, Adj. Dome Assembly, Internal Sight Dome, O-rings
7,8	Fill Plug Kit	1131-26	1131-26	Fill Plug, O-ring
Not Shown	Sight Kit (Replacement for metal bowl with sight only)	1022-2	1022-2	Indicator Ball, Sight Tube, Tube Retainer, O-rings
9, 10, 11, 12 or 13, 14, 15, 16, 18	Repair Kit	1131-12	1131-13	Aspirator/by pass Housing, Assembly, Oil Flow Check Ball By-pass Valve, By-pass Spring, O-rings, Retaining Ring Tube
17, 19	Bowl Kit	1131-18 10 oz.	1131-19 10 oz.	Metal Bowl w/Sight Assembly, O-ring
17	O-ring	1022-15	1022-15	O-ring