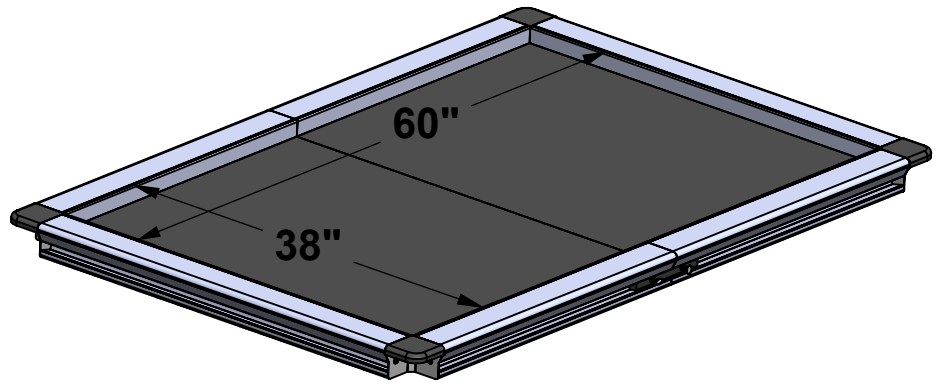


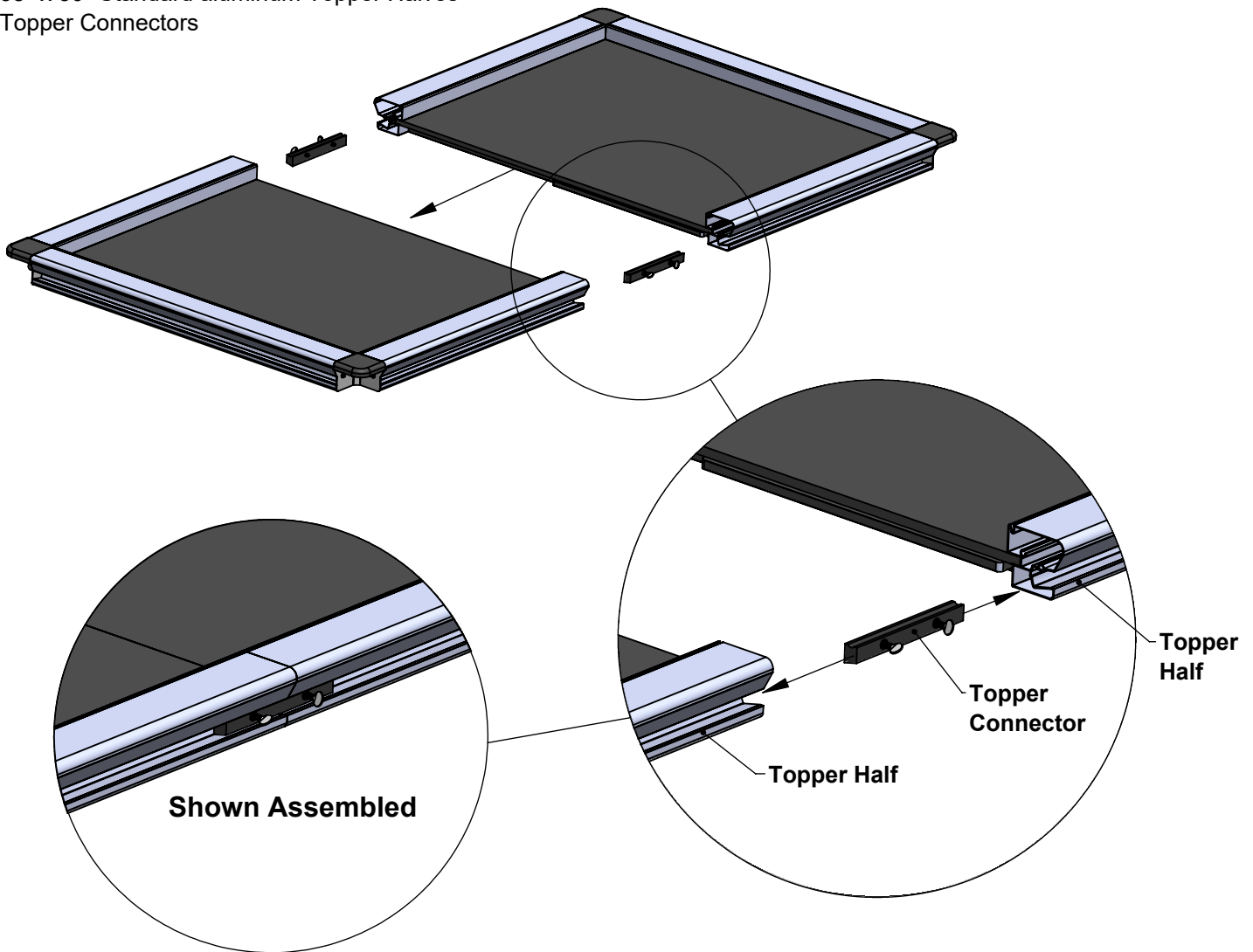
The Watson Standard 38" x 60" Game Topper



Included:

2X - 38" x 30" Standard aluminum Topper Halves

2X - Topper Connectors



Use:

1. Set each Topper half onto a table and slide together ensuring the side rails are aligned.
2. Loosen the Thumb Screws on each Topper Connector (pre-installed, one in each Topper Half).
3. Slide over until half of connector is in each Topper Half and tighten both thumb screws.
4. Lay out your game mat, install your accessory holders and enjoy.