

SOLARIS STEAM
PARTS LIST
GAS FIRED STEAMERS
MODELS: SX-34GC, SX-55GC



PRINTED IN CANADA

PARTS LIST, GAS FIRED STEAMERS,
MODELS SX-34GC, SX-55GC

FIGURE 1

<u>ITEM</u>	<u>PART NO.</u>	<u>DESCRIPTION</u>	<u>QUANTITY</u>			
			<u>SX-34GC</u>	<u>SX-55GC</u>	<u>SX-34GC-RH</u>	<u>SX-55GC-RH</u>
1.	3977-1	Hinge Rod	1		1	
	3977-2	Hinge Rod		1		1
2.	9-3213	Door Switch	2	2	2	2
	9-3336	Actuator c/w Retaining Ring	2	2	2	2
3.	8-5021	Striker Pin	2	2	2	2
	8-5022	Front Spacer	2	2	2	2
*	1-90S0	Lock Washer, 1/2	2	2	2	2
*	1-89S0	Hex Nut, 1/2-20 UNF, St Stl	2	2	2	2
*	9-3367	Washer, Door Bushing Spacer	2	2	2	2
4.	3502-2	Steam Diverter	4	4	2	2
5.	4-PL04-2	Pilot Light, Green, Ignition 28V	2	2	2	2
6.	4-PL04	Pilot Light, Green, Ready	2	2	2	2
7.	4-PL07	Pilot Light, Red, Cooking	2	2	2	2
8.	4104-1	Timer Dial, 60 Minutes, 60 Hz	2	2	2	2
9.	9096-1	Continuous Steam Switch	2	2	2	2
10.	9124-2	Power Switch	2	2	2	2
11.	7924-1	Control Decal	1		2	2
	7925-1	Control Decal		1	2	2
12.	6444-1	Component Mounting Board	2	2		
	6444-3	Component Mounting Board			2	2

PARTS LIST, GAS FIRED STEAMERS,
 MODELS SX-34GC, SX-55GC, SX-34GC-RH, SX-55GC-RH

<u>ITEM</u>	<u>PART NO.</u>	<u>DESCRIPTION</u>	<u>QUANTITY</u>				
			<u>SX- 34GC</u>	<u>SX- 55GC</u>	<u>SX- 34GC -RH</u>	<u>SX- 55GC -RH</u>	
**	13.	4038-4	Level Control Board, 10K OHM	2	2	2	2
		5230-1	Level Control Board, 1M OHM, (Optional)	4	4	4	4
	14.	4-22ES	Terminal End Section	1	1	1	1
	15.	4-22TB	Terminal Block, Section	2	2	2	2
	16.	4-70EU	Ground Lug	1	1	1	1
*		4188-1	Earth I.D. Tag	1	1	1	1
	17.	3-694A	Elbow, Brass, 1/4C x 1/8 MPT	2	2	2	2
	18.	5162-1	Solenoid Valve, 240V	4	4	4	4
	19.	3-696A	Elbow 90°, Brass, 3/8 C x 1/8 MPT	4	4	4	4
	20.	9210-2	Ignition Module, Intermittent Pilot	2	2	2	2
	21.	3-698E	Elbow, Brass, 1/2 C x 3/4 MPT	2	2	2	2
	22.	3-S543	Blowdown Solenoid, 120V	2	2	2	2
	23.	3-6810E	Connector, Brass, 5/8 C x 3/4 MPT	2	2	2	2
	24.	3-684A	Connector, Brass, 1/4 C x 1/8 MPT	2	2	2	2
	25.	4127-3	Cord Set, 120V	1	1	1	1
	26.	9126-1	Thermostat, Operating	2	2	2	2
*		3-686C	Thermostat Fitting, 3/8 C x 3/8 MPT	2	2	2	2
	27.	5255-1	Drain Tube	2	2	2	2

PARTS LIST, GAS FIRED STEAMERS,
 MODELS SX-34GC, SX-55GC, SX-34GC-RH, SX-55GC-RH

<u>ITEM</u>	<u>PART NO.</u>	<u>DESCRIPTION</u>	<u>QUANTITY</u>			
			<u>SX-34GC</u>	<u>SX-55GC</u>	<u>SX-34GC-RH</u>	<u>SX-55GC-RH</u>
28.	3-6910E	Elbow, 90°, Brass, 5/8 C x 3/4 MPT	2	2	2	2
29.	7349-4	Generator Tank, Bottom Oven	1	1		
	7349-6	Generator Tank, Bottom Oven			1	1
30.	4874-1	High Limit Thermostat	2	2	2	2
31.	4-T210	Timer, 60 Minutes, 120V	2	2	2	2
32.	9268-130	Silicone Hose, R.H. 1/2 I.D. x 13	4	4	4	4
33.	9017-2	Hose Clamp, 3/8" - 7/8"	12	12	12	12
34.	3-1398B	Hose Barb Elbow, Brass, 1/2 x 1/4 MPT	4	4	4	4
35.	9-3175-1	Relay, Single Pole, 120V	4	4	4	4
36.	3821-1	Buzzer, 120V	2	2	2	2
37.	9-3174-1	Relay, Double Pole, 120V	2	2	2	2
38.	7349-3	Generator Tank, Top Oven	1	1		
	7349-5	Generator Tank, Top Oven			1	1
39.	3738-7	Probe, 4.375" High Level	2	2	2	2
40.	3738-8	Probe, 4.5" Low Level	2	2	2	2
41.	3738-9	Probe, 4.875", Low Level Cut Off	2	2	2	2
42.	9274-1	Hex-Knurl Cap Nut with Chain	2	2	2	2
43.	5890-1	Gasket	2	2	2	2

PARTS LIST, GAS FIRED STEAMERS,
 MODELS SX-34GC, SX-55GC, SX-34GC-RH, SX-55GC-RH

<u>ITEM</u>	<u>PART NO.</u>	<u>DESCRIPTION</u>	<u>QUANTITY</u>				
			<u>SX-34GC</u>	<u>SX-55GC</u>	<u>SX-34GC-RH</u>	<u>SX-55GC-RH</u>	
44.	3-196C	Coupling, 3/4 NPS x 3/8 MPT	2	2	2	2	
45.	3-116C	Forged 90° Street Elbow, 3/8 NPT	2	2	2	2	
46.	9275-1	Split Ring	2	2	2	2	
47.	5863-1	Spacer	2	2	2	2	
48.	3-1495BC	Terminal Bolt, 3/4 NPS x 3/8 FPT	2	2	2	2	
49.	3-1398C	Hose Barb, 90° Elbow, 1/2 x 3/8 MPT	2	2	2	2	
50.	9268-240	Silicone Hose, 1/2 I.D. x 24 LG.	2	2	2	2	
51.	9053-6	Brass Hose Barb, 5/8" x 3/4" MPT	2	2	2	2	
52.	3-101E	Tee, Forged, Brass 3/4 NPT	2	2	2	2	
53.	5286-1	Relief Valve, 5 PSI	2	2	2	2	
54.	3-112E	Close Nipple, Brass, 3/4 NPT	4	4	4	4	
55.	9090-054	Nipple, Brass, 3/4 NPT x 5-1/2 LG.	2	2	2	2	
56.	3-100E	Elbow, 90°, Forged, 3/4 NPT	4	4	4	4	
57.	5184-1	Extension, Relief Valve	2	2	2	2	
58.	3-776	Water Connection	1	1	1	1	
**	59.	2681-1	Pan Rack, Upper	2		2	
		2681-2	Pan Rack, Lower	2		2	
		2681-3	Pan Rack		4		4

PARTS LIST, GAS FIRED STEAMERS,
 MODELS SX-34GC, SX-55GC, SX-34GC-RH, SX-55GC-RH

<u>ITEM</u>	<u>PART NO.</u>	<u>DESCRIPTION</u>	<u>QUANTITY</u>				
			<u>SX-34GC</u>	<u>SX-55GC</u>	<u>SX-34GC-RH</u>	<u>SX-55GC-RH</u>	
60.	8-5023	Perforated Door Trough	1	1	1	1	
61.	6440-1	Side Panel, Right Hand	1	1			
	6440-2	Side Panel, Left Hand			1	1	
62.	5224-2	Compartment Strainer	2	2	2	2	
*	63.	6450-1	Side Panel, Left Hand	1	1		
	6450-2	Side Panel, Right Hand			1	1	
*	64.	4517-1	Top Cover	1	1		
	4517-4	Top Cover			1	1	
65.	9-3383	Transformer, 120/24V, 40VA	1	1	1	1	
66.	4721-1	Pin Assembly	12	12	12	12	
* **	67.	4522-1	Riser Channel (Flue) BTM Generator	1	1	1	1
	4523-1	Riser Channel (Flue) Top Generator	1	1	1	1	
*	68.	4863-1	Riser Wraparound Assembly	1	1	1	1
*	69.	9068-1	Fuse Holder	2	2	2	2
*	70.	9092-2	Fuse 2A, 250V (120V Unit)	2	2	2	2
	9092-1	Fuse 1A, 250V (220V Unit)	2	2	2	2	
*	71.	4204-51	Wire Harness	2	2	2	2

* NOT SHOWN.

** SELECT AS REQUIRED.

PARTS LIST, GAS FIRED STEAMERS,
 MODELS SX-34GC, SX-55GC, SX-34GC-RH, SX-55GC-RH

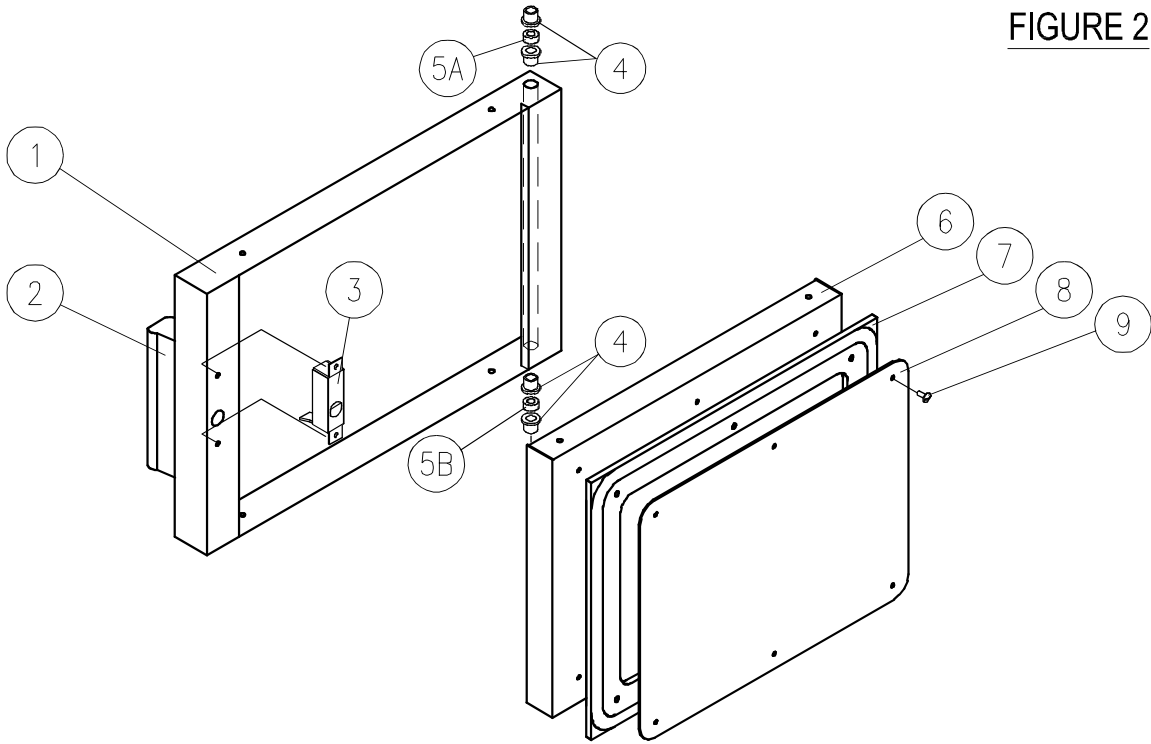


FIGURE 2

FIGURE 2

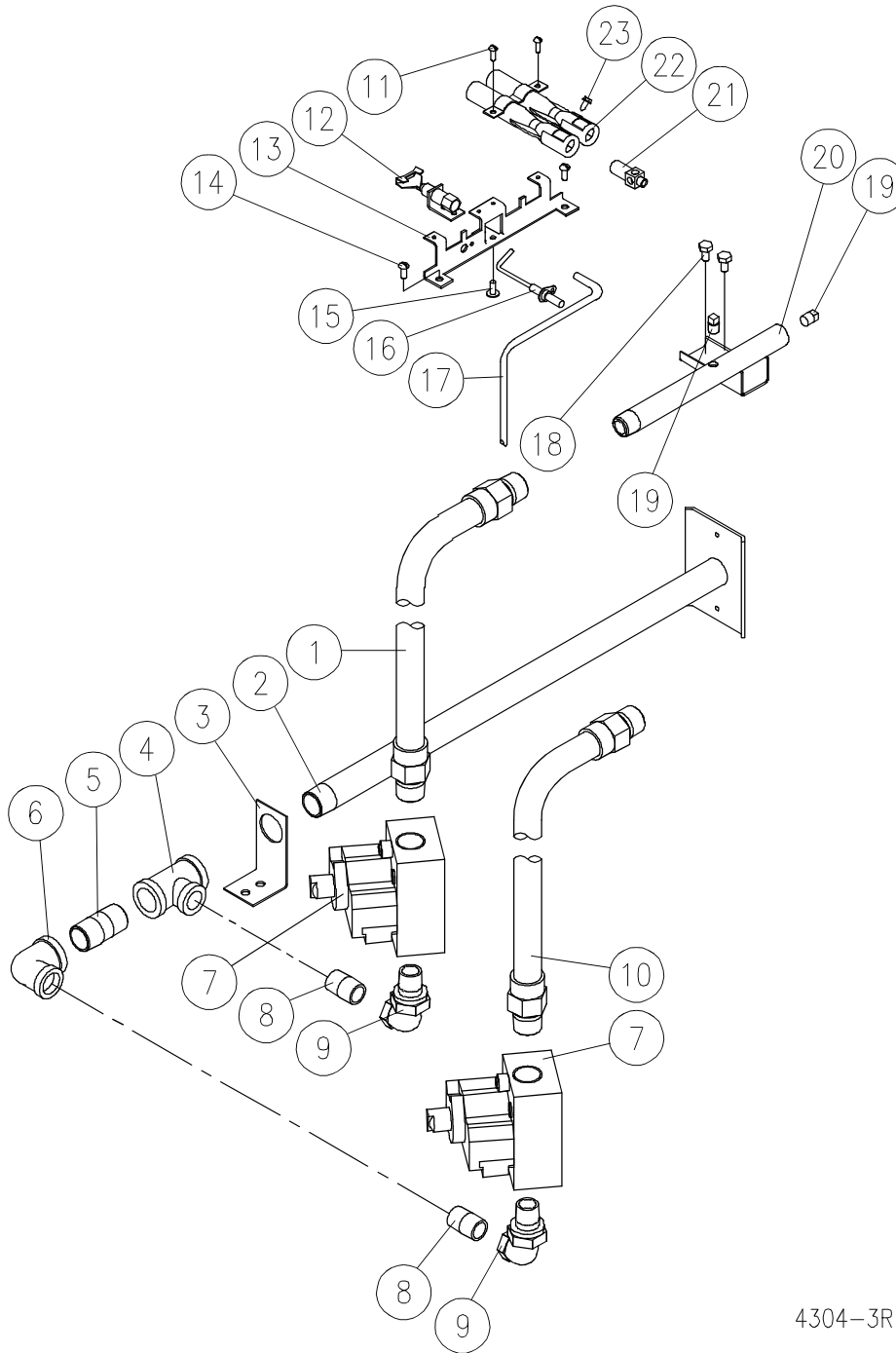
<u>ITEM</u>	<u>PART NO.</u>	<u>DESCRIPTION</u>	<u>QUANTITY</u>			
			<u>SX-34GC</u>	<u>SX-55GC</u>	<u>SX-34GC-RH</u>	<u>SX-55GC-RH</u>
1.	8-5060-8	Door Frame		2		
	2840-3	Door Frame, Right Hand Unit				2
	8-5060-7	Door Frame, Bottom	1			
	2822-3	Door Frame, Top, Right Hand Unit			1	
	8-5060-9	Door Frame, Top	1			
	2837-3	Door Frame, Bottom, Right Hand Unit			1	
2.	3903-2	Door Handle Assembly	2	2	2	2
	3646-1	Door Handle Decal	2	2	2	2

PARTS LIST, GAS FIRED STEAMERS,
 MODELS SX-34GC, SX-55GC, SX-34GC-RH, SX-55GC-RH

<u>ITEM</u>	<u>PART NO.</u>	<u>DESCRIPTION</u>	<u>QUANTITY</u>			
			<u>SX-34GC</u>	<u>SX-55GC</u>	<u>SX-34GC-RH</u>	<u>SX-55GC-RH</u>
3.	8-5068-9	Latch Assembly	2	2	2	2
4.	8-5078	Bushing	8	8	8	8
5A.	5716-1	Spacer, Upper	2	2	2	2
5B.	5717-1	Spacer, Lower	2	2	2	2
6.	8-5065-8	Door Panel		2		2
	8-5065-7	Door Panel, Bottom	1		1	
	8-5065-9	Door Panel, Top	1		1	
7.	8-5063-8	Door Gasket		2		2
	8-5063-7	Door Gasket, Bottom	1		1	
	8-5063-9	Door Gasket, Top	1		1	
8.	8-5064-8	Gasket Plate		2		2
	8-5064-7	Gasket Plate, Bottom	1		1	
	8-5064-9	Gasket Plate, Top	1		1	
9.	9-1011-1	Gasket Panel Screws	14	16	14	16
10.	8-5076-9	Door Assembly, Top	1			
	3935-7	Door Assembly, Top, Right Hand Unit			1	
	8-5076-7	Door Assembly, Bottom	1			
	3935-8	Door Assembly, Right Hand Unit			1	
	8-5076-8	Door Assembly		2		
	3935-9	Door Assembly, Right Hand Unit				2

PARTS LIST, GAS FIRED STEAMERS,
MODELS SX-34GC, SX-55GC, SX-34GC-RH, SX-55GCR-RH

FIGURE 3



4304-3R1

PARTS LIST, GAS FIRED STEAMERS,
MODELS SX-34GC, SX-55GC, SX-34GC-RH, SX-55GC-RH

<u>ITEM</u>	<u>PART NO.</u>	<u>DESCRIPTION</u>	<u>QUANTITY</u>		
			<u>SX- GC</u>	<u>SX- GC-RH</u>	
1.	9026-42	Upper Gas Flex Tube, 5/8", O.D. x 42" Long.	1	1	
2.	6433-3	Gas Supply Pipe Assembly	1	1	
3.	4487-2	Bracket	1	1	
4.	9013-7	Malleable Iron Tee, 3/4" x 3/4" x 1/2"	1	1	
5.	9010-020	Nipple, 3/4" x 2" Long	1	1	
6.	9014-1	90° Reducing Elbow, 3/4" NPT x 1/2" NPT	1	1	
**	7.	5450-1	Gas Valve, Natural Gas	2	2
		5450-2	Gas Valve, LP Gas	2	2
	8.	9009-000	Close Nipple, 1/2"	2	2
	9.	3-U4BE	Union Elbow, 1/2"	2	2
	10.	9026-24	Lower Gas Flex Tube, 5/8" O.D. x 24" Long	1	1
	11.	T50C832-14	Hex Screw, 8 - 32 x 1/4"	8	8
**	12.	5375-1	Pilot Burner, LP Gas	2	2
		5375-2	Pilot Burner, Natural Gas	2	2
	13.	6748-1	Burner Mounting Bracket	2	2
	14.	M29S-1032-38	Machine Screw, 10 - 32 x 3/8"	4	4
	15.	M29X-1032-14	Machine Screw, 10 - 32 x 1/4"	4	4
	16.	5362-1	Spark Electrode	2	2
**	17.	5774-1	Pilot Tube - Upper	1	1
		5774-2	Pilot Tube - Lower	1	1
	18.	M50X-1420-12	Machine Bolt, 1/4 - 20 x 1/2"	4	4
	19.	9035-1	Plug, 1/8" NPT	2	2

PARTS LIST, GAS FIRED STEAMERS,
 MODELS SX-34GC, SX-55GC, SX-34GC-RH, SX-55GC-RH

<u>ITEM</u>	<u>PART NO.</u>	<u>DESCRIPTION</u>	<u>QUANTITY</u>		
			<u>SX- GC</u>	<u>SX- GC-RH</u>	
**	20.	6949-1	Manifold, Natural Gas	2	
		6949-2	Manifold, LP Gas	2	
		6949-3	Manifold, Natural Gas		2
		6949-4	Manifold, LP Gas		2
**	21.	4951-53	Orifice, #53, Natural Gas	8	8
		4951-64	Orifice, #64, LP Gas	8	8
**	22.	6749-1	Twin Burners, Natural Gas	4	4
		7745-1	Twin Burners, LP Gas	4	4
**	23.	A54C-6-38	Screw, #6 x 3/8", (Natural Gas Only)	8	8

* NOT SHOWN

** SELECT AS REQUIRED.