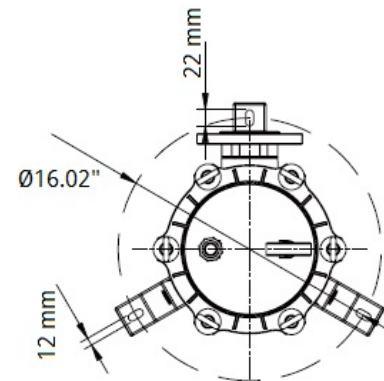
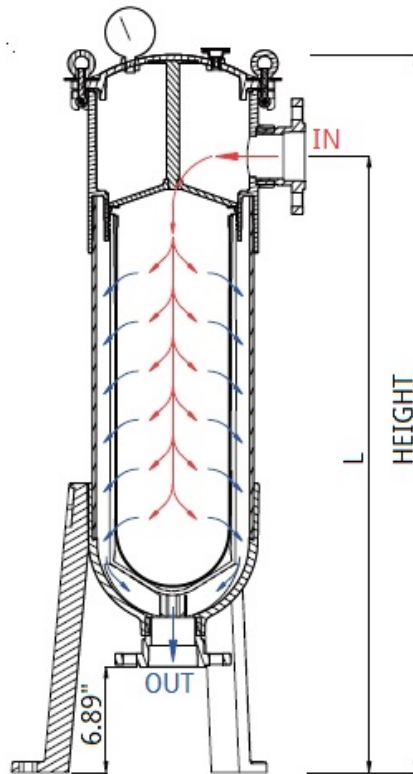


PVC Bag Filter Housing



- A - Lid with Closure Ring (nut) wrench included
- B - Lid with 316 SST Swing Bolts
- (2) Lid hole sizes are G1/4"

Part Number	Material	Diameter	Height	Bag Size	L	In/Out	Max. Pressure	Max. Temp.	Flow Rate
HXP-BF-1-1-A	PVC	Ø8.86"	18.31"	Ø7"x17"	25.6"	FLG: 2"	58 PSI	113°F	88 GPM
HXP-BF-1-1-B	PVC	Ø8.86"	28.15"	Ø7"x17"	40.7"	FLG: 2"	102 PSI	113°F	88 GPM
HXP-BF-1-2-A	PVC	Ø8.86"	37.99"	Ø7"x32"	26.2"	FLG: 2"	58 PSI	113°F	176 GPM
HXP-BF-1-2-B	PVC	Ø8.86"	47.83"	Ø7"x32"	41.1"	FLG: 2"	102 PSI	113°F	176 GPM