

DESIGNERS' CHOICE TRAVERSING RODS

Installation Guide

ORION ORNAMENTAL IRON, INC.

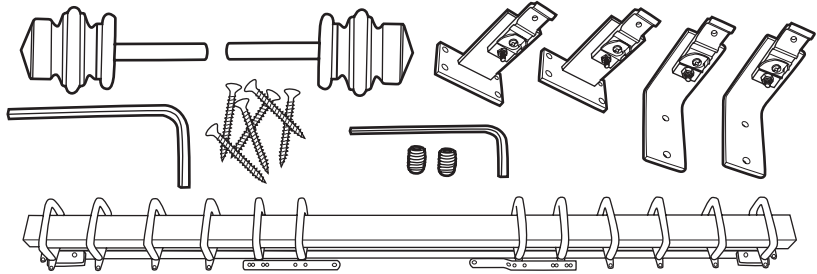
6918 Tujunga Avenue, North Hollywood, CA 91605-6212

Toll Free : (877) IRON ART, Tel : (818) 752-0688

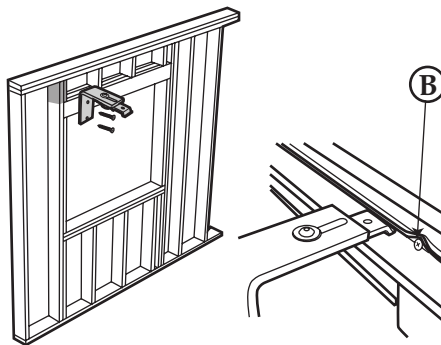
Toll Free Fax : (866) BY ORION, Fax : (818) 752-5672

E-Mail: sales@ironartbyorion.com Website : www.ironartbyorion.com

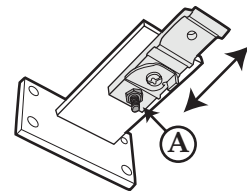
1. Unwrap and check all parts.
Parts will vary by order.



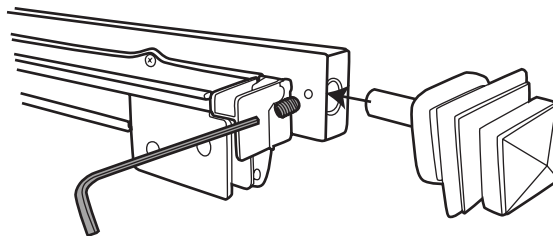
2. Designers' Choice hardware should be installed in wall studs where possible. We suggest using a density analyzer to determine stud locations.
- (a) If installing in wall without stud, use heavy duty hollow wall anchors (e.g., Hillman #370012) or toggle bolts. We recommend ordering extra center supports when hollow wall anchors are being used.
 - (b) Make sure support brackets do not line up with fascia screws (B).
 - (c) Use level to make sure all brackets are on the same horizontal plane.



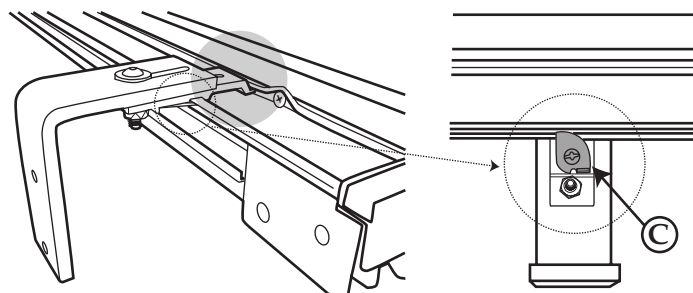
3. Adjust projection of bracket clip by loosening the screw nut (A). Adjust bracket projection as needed. Retighten the screw nut to hold the clip in desired position.



4. Install the finial in pre-drilled hole in rod. Use enclosed wrench to tighten finial screw.



5. Clip traversing track onto the brackets on the wall; make sure track is securely in brackets. Turn the bracket clip (C) to lock the bracket with the track.



6. Test the cord to assure that rod draws smoothly. Install the floor tension pulley for the cord.

We recommend using a professional installer. While installation hardware is included, it may not be appropriate for your specific wall material or individual installation. Orion will not assume any responsibility for damages incurred by inadequately supported or improperly mounted hardware.