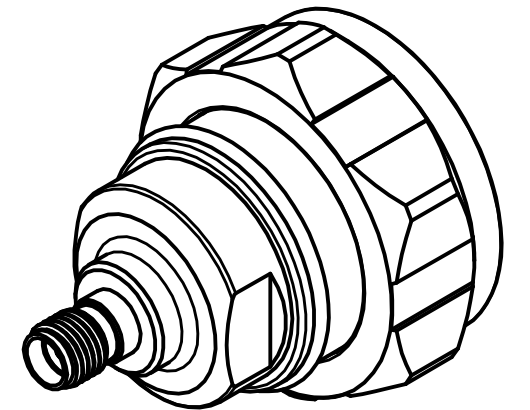
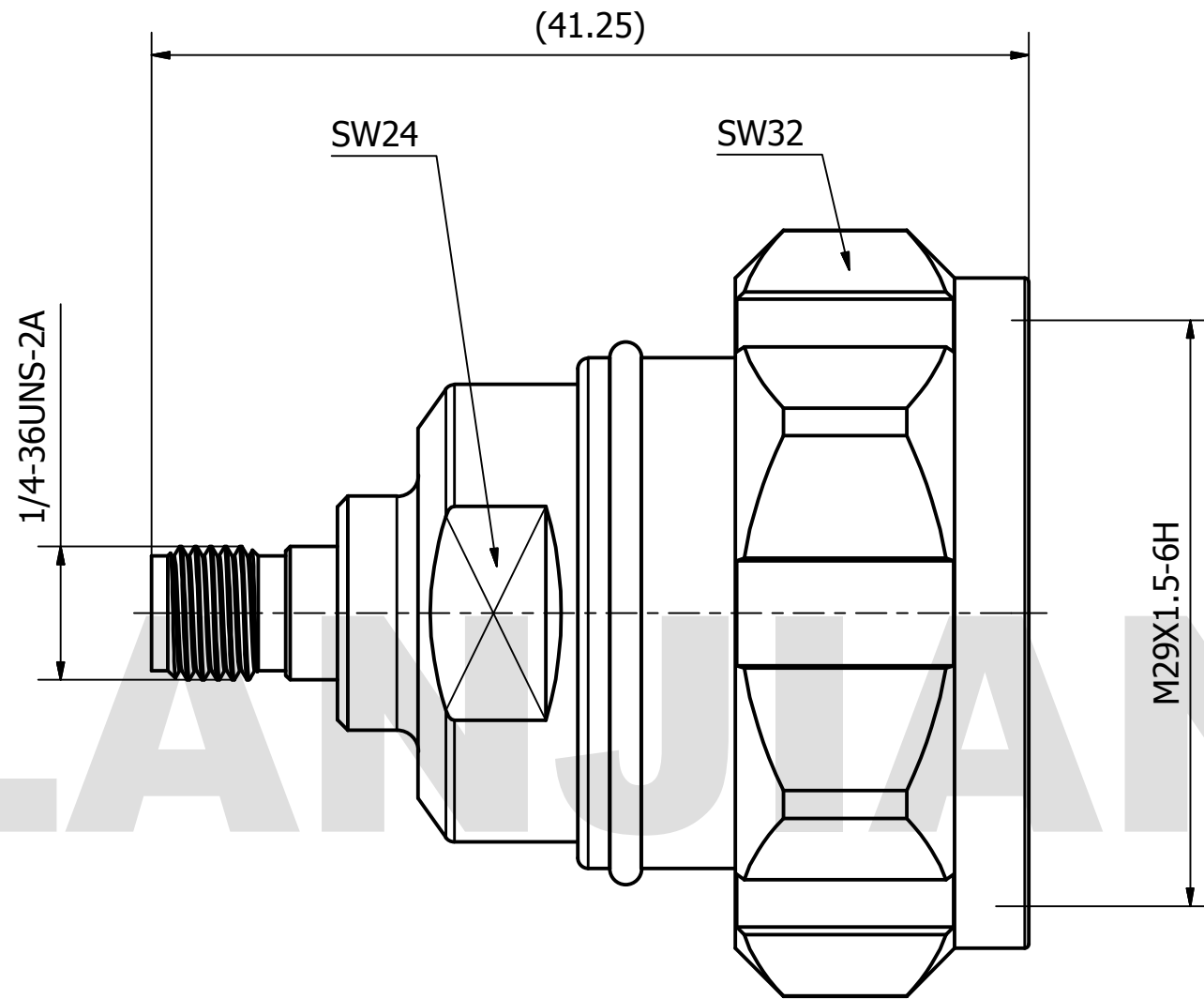


# PRODUCT DATA SHEET



**MATERIAL:**  
 BODY: BRASS  
 CONTACT: BERYLLIUM COPPER PER ASTM B196.  
 INSULATOR: PTFE PER ASTM D1710

**PERFORMANCE:**  
 IMPEDANCE: 50 OHMS  
 FREQUENCY: DC TO 6 GHz  
 VSWR:  $\leq 1.20$

THIS DOCUMENT CONTAINS CONFIDENTIAL AND PROPRIETARY INFORMATION THAT CANNOT BE REPRODUCED OR DIVULGED, IN WHOLE OR IN PART, WITHOUT WRITTEN AUTHORIZATION FROM "LANJIAN ELECTRONICS"	MATERIAL :			38 Hengtong Road, Xinqu Dingmao Zhenjiang, 212009, Jiangsu, P. R. China			
	UNLESS OTHERWISE SPECIFIED: DIMENSIONS IN MM						
	TOLERANCES :						
	X.X	$\pm 0.20$	ANGULAR : $\pm 1^\circ$	DEBURR AND BREAK SHARP EDGES			
	X.XX	$\pm 0.10$	FILLETS R/C : $\pm 0.10$				
	X.XXX	$\pm 0.01$	SURFACE FINISH : Ra 1.6				
		NAME	DATE	SIGNATURE	TITLE <b>SMA/7/16-KJ straight adaptor</b>		
	DRAWN	YaoJiang	12/27/2018				
	CHK'D	HongZhongYan	12/27/2018				
	APPV'D	HongZhongYan	12/27/2018				
MFG				DWG No.	GCPZ3.640.A.037	REV.	A
PROJECTION		SIZE	SCALE	DO NOT SCALE THE DRAWING		PAGE	1 / 1
		A3	3 : 1				